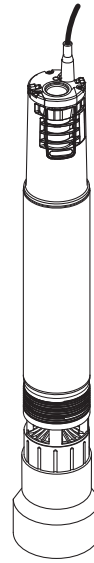


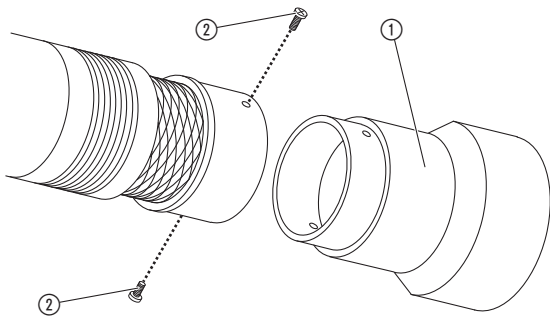
5500/5 inox Art. 1489
6000/5 inox Art. 1492



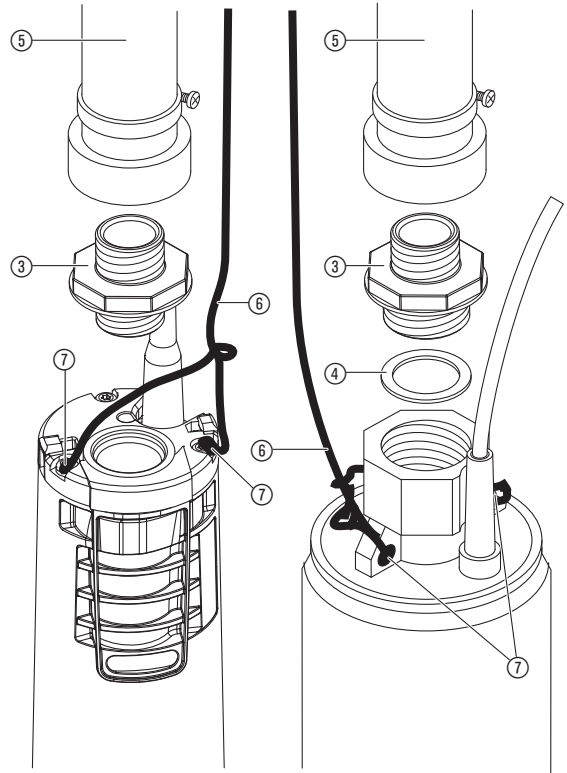
6000/5 inox automatic Art. 1499

<p>DE Produkthaftung Wir weisen ausdrücklich darauf hin, dass wir in Übereinstimmung mit dem Produkthaftungsgesetz nicht für Schäden haften, die durch unsere Produkte entstehen, wenn diese unsachgemäß und nicht durch einen von uns autorisierten Servicepartner repariert wurden oder wenn keine Original GARDENA Teile oder von uns zugelassene Teile verwendet wurden.</p>
<p>EN Product liability In accordance with the German Product Liability Act, we hereby expressly declare that we accept no liability for damage incurred from our products where said products have not been properly repaired by a GARDENA-approved service partner or where original GARDENA parts or parts authorised by GARDENA were not used.</p>
<p>FR Responsabilité Conformément à la loi relative à la responsabilité du fait des produits défectueux, nous déclarons expressément par la présente que nous déclinons toute responsabilité pour les dommages résultant de nos produits, si lesdits produits n'ont pas été correctement réparés par un partenaire d'entretien agréé GARDENA ou si des pièces d'origine GARDENA ou des pièces agréées GARDENA n'ont pas été utilisées.</p>
<p>NL Productaansprakelijkheid Conform de Duitse wet inzake productaansprakelijkheid verklaren wij hierbij uitdrukkelijk dat wij geen aansprakelijkheid aanvaarden voor schade ontstaan uit onze producten waarbij deze producten niet zijn gerepareerd door een GARDENA-erkende servicepartner of waarbij geen originele GARDENA-onderdelen of onderdelen die door GARDENA zijn goedgekeurd zijn gebruikt.</p>
<p>SV Produktansvar I enlighet med tyska produktansvarslagar förklarar vi härmed uttryckligen att vi inte åtar oss något ansvar för skador som orsakas av våra produkter där produkterna inte har genomgått korrekt reparation från en GARDENA-godkänd servicepartner eller där originaldelar från GARDENA eller delar godkända av GARDENA inte använts.</p>
<p>DA Produktansvar I overensstemmelse med den tyske produktansvarslov erklærer vi hermed udtrykkeligt, at vi ikke påtager os noget ansvar for skader på vores produkter, hvis de pågældende produkter ikke er blevet repareret korrekt af en GARDENA-godkendt servicepartner, eller hvor der ikke er brugt originale GARDENA-reservedele eller godkendte reservedele fra GARDENA.</p>
<p>FI Tuotevastuu Saksan tuotevastuulain mukaisesti emme ole vastuussa laitteiden vaurioista, jos korjauksia ei ole tehnyt GARDENA:n hyväksymä huoltoliike tai jos niiden synnä on muiden kuin alkuperäisten GARDENA-varaosien tai GARDENA:n hyväksymien varaosien käyttö.</p>
<p>IT Responsabilità del prodotto In conformità con la Legge tedesca sulla responsabilità del prodotto, con la presente dichiariamo espressamente che decliniamo qualsiasi responsabilità per danni causati dai nostri prodotti qualora non siano stati correttamente riparati presso un partner di assistenza approvato GARDENA o laddove non siano stati utilizzati ricambi originali o autorizzati GARDENA.</p>
<p>ES Responsabilidad sobre el producto De acuerdo con la Ley de responsabilidad sobre productos alemana, por la presente declaramos expresamente que no aceptamos ningún tipo de responsabilidad por los daños ocasionados por nuestros productos si dichos productos no han sido reparados por un socio de mantenimiento aprobado por GARDENA o si no se han utilizado piezas originales GARDENA o piezas autorizadas por GARDENA.</p>
<p>PT Responsabilidade pelo produto De acordo com a lei alemã de responsabilidade pelo produto, declaramos que não nos responsabilizamos por danos causados pelos nossos produtos, caso os tais produtos não tenham sido devidamente reparados por um parceiro de assistência GARDENA aprovado ou se não tiverem sido utilizadas peças GARDENA originais ou peças autorizadas pela GARDENA.</p>
<p>PL Odpowiedzialność za produkt Zgodnie z niemiecką ustawą o odpowiedzialności za produkt, niniejszym wyraźnie oświadczamy, że nie ponosimy żadnej odpowiedzialności za szkody poniesione na skutek użytkowania naszych produktów, w przypadku gdy naprawa tych produktów nie była odpowiednio przeprowadzana przez zatwierdzonego przez firmę GARDENA partnera serwisowego lub nie stosowano oryginalnych części GARDENA albo części autoryzowanych przez tę firmę.</p>
<p>HU Termékszavatosság A németországi termékszavatossági törvénnyel összhangban ezennel nyomatékosan kijelentjük, hogy nem vállalunk felelősséget a termékeinkben keletkezett olyan károkért, amelyek valamely GARDENA által jóváhagyott szervizpartner által nem megfelelően végzett javításból adódtak, vagy amely során nem eredeti GARDENA alkatrészeket vagy a GARDENA által jóváhagyott alkatrészeket használtak fel.</p>
<p>CS Odpovědnost za výrobek V souladu s německým zákonem o odpovědnosti za výrobek tímto výslovně prohlašujeme, že nepřijímáme žádnou odpovědnost za poškození vzniklá na našich výrobcích, kdy zmíněné výrobky nebyly řádně opraveny schváleným servisním partnerem GARDENA nebo kdy nebyly použity originální náhradní díly GARDENA nebo náhradní díly autorizované společností GARDENA.</p>
<p>SK Zodpovednosť za produkt V súlade s nemeckými právnymi predpismi upravujúcimi zodpovednosť za výrobok týmto výslovné prehlasujeme, že nenesieme žiadnu zodpovednosť za škody spôsobené našimi výrobkami, v prípade ktorých neboli náležité opravy vykonané servisným partnerom schváleným spoločnosťou GARDENA alebo neboli použité diely spoločnosti GARDENA alebo diely schválené spoločnosťou GARDENA.</p>
<p>EL Ευθύνη προϊόντος Σύμφωνα με τον γερμανικό νόμο περί Ευθύνης για τα Προϊόντα, με το παρόν δηλώνουμε ρητώς ότι δεν αποδεχόμαστε καμία ευθύνη για τυχόν ζημιές που προκύπτουν από τα προϊόντα μας εάν αυτά δεν έχουν επισκευαστεί σωστά από κάποιον συγκεκριμένο συνεργάτη επισκευών της GARDENA ή εάν δεν έχουν χρησιμοποιηθεί αυθεντικά εξαρτήματα GARDENA ή εξαρτήματα συγκεκριμένα από την GARDENA.</p>
<p>SL Odgovornost proizvajalca V skladu z nemškimi zakoni o odgovornosti za izdelke, izrecno izjavljajo, da ne sprejemamo nobene odgovornosti za škodo, ki jo povzročijo naši izdelki, če teh niso ustrezno popravili GARDENINI odobreni servisni partnerji ali pri tem niso bili uporabljeni originalni GARDENINI nadomestni deli ali GARDENINIMI homologiranimi nadomestnimi deli.</p>
<p>HR Pouzdanost proizvoda Sukladno njemačkom zakonu o pouzdanosti proizvoda, ovime izričito izjavljujemo kako ne prihvaćamo nikakvu odgovornost za oštećenja na našim proizvodima nastala uslijed neispravnog popravka od strane servisnog partnera kojeg odobrava GARDENA ili uslijed nekorištenja originalnih GARDENA dijelova ili dijelova koje odobrava GARDENA.</p>
<p>RO Răspunderea pentru produs În conformitate cu Legea germană privind răspunderea pentru produs, declarăm în mod expres prin prezentul document că nu acceptăm nicio răspundere pentru defecțiunile suferite de produsele noastre atunci când acestea nu au fost reparate în mod corect de un atelier de service partener, aprobat de GARDENA, sau când nu au fost utilizate piese GARDENA originale sau piese autorizate de GARDENA.</p>
<p>BG Отговорност за вреди, причинени от стоки Съгласно германския Закон за отговорността за вреди, причинени от стоки, с настоящото изрично декларираме, че не носим отговорност за щети, причинени от нашите продукти, ако те не са били правилно ремонтирани от одобрен от GARDENA сервиз или ако не са използвани оригинални части на GARDENA или части, одобрени от GARDENA.</p>
<p>ET Tootevastutus Vastavalt Saksamaa tootevastutusseadusele deklareerime käesolevaga selgesõnaliselt, et me ei kanna mingisugust vastutust meie toodetest tingitud kahjude eest, kui need tooted ei ole korrektselt parandatud GARDENA heakskiidetud hoolduspartneri poolt või kui parandamisel ei ole kasutatud GARDENA originaalosi või GARDENA volitatud osi.</p>
<p>LT Gaminio patikimumas Mes aiškiai pareiškiame, kad, atsižvelgiant į Vokietijos gaminių patikimumo įstatymą, nepriisiame atsakomybės dėl bet kokios žalos, patirtos dėl mūsų gaminių, jeigu jie buvo netinkamai taisomi arba jų dalys buvo pakeistos neoriginaliomis GARDENA dalimis ar nepatvirtintomis dalimis, arba jeigu remonto darbai buvo atliekami ne GARDENA techninės priežiūros centro specialistų.</p>
<p>LV Atbildība par produkcijas kvalitāti Saskaņā ar Vācijas likumu par atbildību par produkcijas kvalitāti ar šo mēs paziņojam, ka neuzņemamies atbildību par bojājumiem, kas radušies, lietojot mūsu izstrādājumus, kuru remontu nav veicis uzņēmuma GARDENA apstiprināts apkopes partneris vai kuru remontam netika izmantotas oriģinālās GARDENA detaļas vai detaļas, kuru lietošanu apstiprinājis uzņēmums GARDENA.</p>

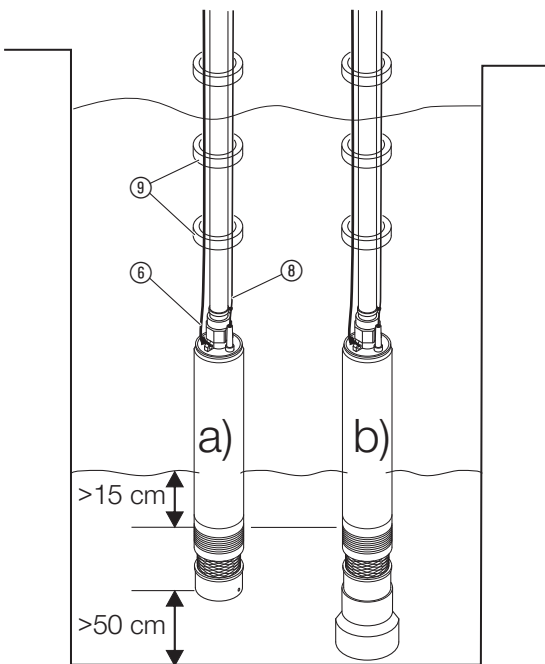
A1



A2

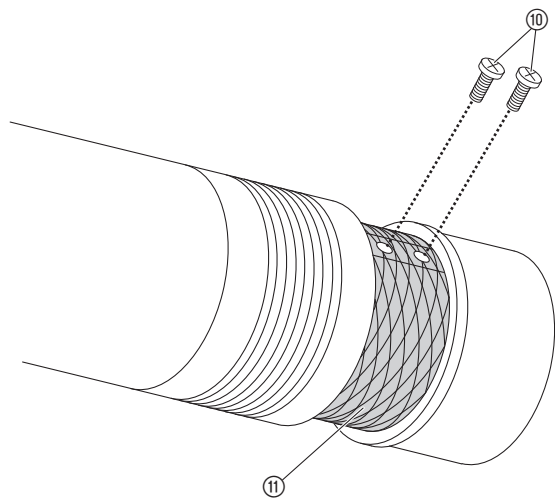


O1



Art. 1499 Art. 1489
 Art. 1492

M1



EN Deep Well Pump

1. SAFETY	7
2. ASSEMBLY	7
3. OPERATION	7
4. STORAGE	8
5. MAINTENANCE	8
6. TROUBLESHOOTING	8
7. ACCESSORIES	8
8. TECHNICAL DATA	8
9. SERVICE/WARRANTY	9

Translation of the original instructions.



This product may be used under supervision, or if instruction regarding the safe use of the product has been provided and the resulting dangers have been understood, by children aged 8 and above, as well as by persons with physical, sensory or mental disabilities or a lack of experience and knowledge. Children must not be allowed to play with the product. Cleaning and user maintenance must not be performed by children without supervision. The use of this product by young people under the age of 16 is not recommended. Never operate the

product when you are tired, ill or under the influence of alcohol, drugs or medicine.

Intended use:

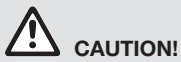
The **GARDENA Deep Well Pump** is intended for private use in the home and hobby garden. It is intended for drawing water from wells (for drilled wells from 10 cm diameter), cisterns and other water reservoirs and for operating irrigation equipment and systems.

Liquids to be pumped:

The GARDENA Deep Well Pump may only be used to pump clear fresh water.

The pump is watertight and is submerged in water (for max. submersion depth, see 8. TECHNICAL DATA).

Recommendation: Cover the top of the well pipe to prevent contamination.



CAUTION!

→ **Salt water, contaminated water, corrosive, easily flammable, or explosive substances (for example gasoline, petroleum, cellulose thinner), oil, heating oil, and foodstuffs may not be conveyed. The water temperature may not exceed 35 °C. Due to quality assurance testing, there may be residual water in the pump.**

1. SAFETY

IMPORTANT!

Read the operator's manual carefully before use and keep for future reference.

Electrical safety



DANGER! Electric shock!

With a cut off mains plug, moisture can get into electrical parts via the mains cable and cause a short circuit.

→ **Never cut the mains plug off (e.g. to feed through wall).**

→ **Don't use the power cable for plugging off.**



DANGER! Electric shock!

A damaged pump must not be used.

→ In case of damage, please have the pump checked by our GARDENA Service Centre.

→ Before operating the pump, first make a visual check, if there is any damage of the pump (esp. regarding power cable and plug).



DANGER!

Risk of injury due to electric shock.

The product must be supplied through a residual current device (RCD) having a rated residual operating current not exceeding 30 mA.

The pump must not be used when people are in water.

→ Please contact your electrician.

The power cable of the pump must be connected to a socket which is positioned at a height of 1.10 m (measured from ground). Take care that the power cable leads downwards.

Data indicated on the type plate must match technical data of the mains supply.

Only use extension cables authorised in accordance with HD 516.

→ Consult your qualified electrician.

→ Take care that the electrical connections are made within dry area, protected from flooding.

→ Keep mains plug dry.

Protect plug and power cable from heat, oil and sharp edges.

If the supply cord is damaged, it must be replaced by the manufacturer, its service agent or similarly qualified persons in order to avoid a hazard.

The power cable must not be used for mounting or relocating the pump.

For submerging or lifting/securing the pump, please use the fastening rope.

In Austria

In Austria the electrical connection must satisfy the ÖVE-EM 42, T2 (2000)/1979 § 22 to § 2022.1. This requires that pumps used for swimming pools and garden ponds may only be powered through an isolating transformer.

→ Please ask your electrician for his advice.

In Switzerland

In Switzerland mobile appliances which are used outdoors, must be connected via a residual-current device.

Notes on use

→ Before operation, clear the pressure line (e.g. open closed valve, closed outlet connector etc.).

Leaking lubricants can contaminate the pumped liquid.

For Art. 1489/1492 only: Running dry leads to increased wear or damage and is to be avoided.

→ The pump must be immediately switched off when water fails to flow.

→ Observe max. delivery height.

When connecting the pump to the water supply system, the country-specific sanitary regulations must be observed to prevent water not of drinking water quality being drawn back in.

→ If necessary, contact your sanitary expert.

Sand and other abrasive substances cause increased wear and reduce the pump's output. Fibres in the water can block the turbine.

During operation, the pump must always be submerged in the water up to the minimum submersion depth (see 8. TECHNICAL DATA).

For Art. 1489/1492 only: Do not allow the pump to run for more than 10 minutes against the closed pressure side (e.g. closed valve, closed dispenser etc.).

The pump is automatically switched off on overheating by the built-in thermal motor protector. After having cooled down, the motor automatically switches on again (see 6. TROUBLESHOOTING).

DANGER! This product makes an electromagnetic field while it operates. This field may under some conditions interfere with active or passive medical implants. To decrease the risk of conditions that can possibly injure or kill, we recommend persons with medical implants to speak with their physician and the medical implant manufacturer before you operate the product.

DANGER! Small parts can be easily swallowed. There is also a risk that the poly-bag can suffocate toddlers. Keep toddlers away when you assemble the product.

2. ASSEMBLY

Install foot (only for use in cisterns) [Fig. A1]:

Only when the pump is sited on the ground does the foot have to be fitted to prevent the pump from taking in any sand or dirt.

1. Push the foot ① onto the pump from below.
2. Screw the foot ① to the pump ② with the two screws.

Connecting the hose [Fig. A2]:

The 40mm (1 1/4") internal thread (Art. 1499: 33mm (1") female thread) on the outlet of the Deep Well Pump can be converted if necessary with the pump fitting provided ③ to a 33mm (1") external thread. The pump can then be connected to the **GARDENA Hose Connection System** and the **GARDENA Fitting Art. 1723/1724**.

1. Screw the pump fitting ③ (pre-assembled at factory) onto the outlet of the pump and tighten it manually until the washer ④ fits closely. In Art. 1499 the sealing ring is integrated in the pump fitting ③.
2. Connect pressure hose ⑤ to the relevant adapter.
3. Tie the fastening rope ⑥ (pre-assembled at factory) to the two eyes ⑦ for the fastening rope.

For the best pumping results, connect 25 mm (1") hoses with the **GARDENA Suction Hose Fitting Art. 1724** and one hose clamp. If you need to disconnect the hose frequently from the pump, we recommend using the **GARDENA Pump Connection Set Art. 1752** in connection with a 19 mm (3/4") hose.

3. OPERATION

Pump water [Fig. O1]:

For the pump to deliver, the inlet filter of the pump must be submersed at least 15cm in the water.

- a) **Without the foot, the pump must be fixed at least 50 cm above the ground.**
- b) **If the foot has been fitted (cistern use), the pump may be placed on the ground.**

1. Immerse pump on the fastening rope ⑥ into a well or shaft.
The mains power cable must not be subjected to tension.
2. Secure the fastening rope ⑥.
3. When using the pump in deep wells or shafts (from approx. 5 m deep) guide the connecting cable ⑧ along the fastening rope ⑥ using clips ⑨.
4. Plug the power cable ⑩ into a mains socket.
Attention! The pump starts immediately.

For Art. 1499 only:

Bleeding:

Before putting the pump into operation or switching it on, please note: When first put into operation, the pump takes about 60 seconds to vent after submersion in the water.

→ Put the pump into operation only after this 60-second submersion phase.

Once the pump has been put into operation, the end of the bleeding operation is indicated by a jet of water exiting the bleed openings.

Automatic mode:

The pump pumps and switches off automatically as soon as no more water is drawn. Due to the check valve, the pressure is maintained in the hose until water is drawn via the hose. When water is drawn via the hose (the pressure in the hose falls below 3.5 bar), the pump switches on automatically.

Dry run protection (flow control):

The pump switches off automatically when there is no fluid pumped (the pump operates in cycles 30 secs. on – 5 secs. off (4x). This cycle is repeated in 1 hr, 5 hrs, 24 hrs, 24 hrs ...). As soon as the inlet filter of the pump is again submersed at least 15cm in the water, the pump is ready to operate again.

Flow control:

The flow control switches off automatically as soon as no more water is drawn. In the event of leakage on the pressure side (e.g. leaking pressure hose or tap) switches the pump on and off at short intervals. If the pump is switched on and off more frequently than 7 x in 2 min. (with a leakage < 200 l/hr), the pump switches off completely. When the leakage on the pressure side is eliminated, the pump must be unplugged and plugged in again in order to be operational again.

Non-return valve:

The built-in non-return valve prevents the water flowing back through the pump.

4. STORAGE

To put into storage:



The product must be stored away from children.

→ Store the pump away from frost before the first frost sets in.

Disposal:

(in accordance with RL2012/19/EC)



The product must not be disposed of to normal household waste. It must be disposed of in line with local environmental regulations.

IMPORTANT!

→ Dispose of the product through or via your municipal recycling collection centre.

5. MAINTENANCE

Clean priming area [Fig. M1]:



DANGER! Electric shock!

There is a risk of injury from electric shocks.

→ **Disconnect the Deep Well Pump from the mains power supply before carrying out maintenance.**

1. Unscrew both screws ⑩ and remove the inlet filter ⑪.
2. Clean priming area of the pump and inlet filter ⑪.
3. Fix inlet filter ⑪ around the priming area again and screw tight with the two screws ⑩.

6. TROUBLESHOOTING



DANGER! Electric shock!

There is a risk of injury from electric shocks.

→ **Before eliminating faults, disconnect the Deep Well Pump from the mains power supply.**

Problem	Possible Cause	Remedy
Pump is running, but doesn't deliver	Air cannot escape as the pressure line is closed.	→ Open pressure line (e.g. bent pressure hose).
	Priming area blocked.	→ Clean priming area (see 5. MAINTENANCE).
	When starting the pump, water height falls below the min. water level.	→ Immerse pump deeper (observe minimum water level: see 8. TECHNICAL DATA).
	Non-return valve blocked.	→ Art. 1499: Contact GARDENA Service.
Pump doesn't start or suddenly stops during operation	Thermal protection switch switched pump off due to overheating.	→ Clean priming area (see 5. MAINTENANCE). Observe max. media temperature (35 °C).
	Power supply interrupted.	→ Check fuses and electrical plug-in connections.
	Dirt particles are trapped in priming area.	→ Clean priming area (see 5. MAINTENANCE).
Pump runs, but output suddenly decreases	Priming area blocked.	→ Clean priming area (see 5. MAINTENANCE).
	For Art. 1499 only: Lack of water: Dry run protection switched the pump off due to insufficient water level.	The pump is only operational when it is submerged at least 15 cm. → Submerge pump at least 15 cm in water.
For Art. 1499 only: Pump irregularly switches on and off	Leakage protection activated due to leaking.	→ Check connectors, hose and dispensing device and remove leakage.



NOTE: For any other malfunctions please contact the GARDENA service department. Repairs must only be done by GARDENA service departments or specialist dealers approved by GARDENA.

7. ACCESSORIES

GARDENA Fitting	For optimum utilisation of the pumping capacity of the pump.	Art. 1723/1724
GARDENA Pump Connection Set	If the hose connection is to be detached frequently.	Art. 1752
For Art. 1489/1492 only: GARDENA Dry-Running Safety *	Deactivates the pump automatically if the pumped medium fails to flow.	Art. 1741
For Art. 1489/1492 only: GARDENA Electronic Manometric Switch *	With Dry-Running Safety. Ideal for converting a pump into a pressure tank unit.	Art. 1739

* GARDENA Dry Running Safety/Electronic Manometric Switch must not be installed directly on the pump, as they must not be submerged in the water.

8. TECHNICAL DATA

Deep Well Pump	Unit	Value (Art. 1489)	Value (Art. 1492)	Value (Art. 1499)
Rated Power	W	850	950	950
Max. delivery capacity	l/h	5,500*	6,000*	6,000*
Max. pressure / Max. delivery height	bar / m	4.5 / 45	5.0 / 50	5.0 / 50
Max. submersion depth	m	19	19	19
Power cable	m	22 H07RN-F	22 H07RN-F	22 H07RN-F
Pump connection	mm (")	40 (1 1/4) female thread	40 (1 1/4) female thread	33 (1) female thread
Min. water level for operation (from the top edge of the filter)	cm	> 15	> 15	> 15
Weight without cable (approx.)	kg	7.5	8.25	9
Fastening rope	m	22	22	22
Casing diameter (max.)	mm	< 98	< 98	< 98
Max. media temperature	°C	35	35	35
Mains voltage / Mains frequency	V / Hz	220 – 240 / 50	220 – 240 / 50	220 – 240 / 50

* If used in a well pipe of 10 cm diameter, the max. delivery capacity is not reached.

9. SERVICE/WARRANTY

Service:

Please contact the address on the back page.

Warranty statement:

In the event of a warranty claim, no charge is levied to you for the services provided.

GARDENA Manufacturing GmbH grants a warranty for all original GARDENA new products for two years from the date of original purchase from the retailer, provided that the devices have been for private use only. This manufacturer's warranty does not apply to products acquired second hand. This warranty includes all significant defects of the product that can be proved to be material or manufacturing faults. This warranty is fulfilled by supplying a fully functional replacement product or by repairing the faulty product sent to us free of charge; we reserve the right to choose between these options. This service is subject to the following provisions:

- The product has been used for its intended purpose as per the recommendations in the operating instructions.
- Neither the purchaser nor a third party has attempted to open or repair the product.
- Only Original GARDENA replacement parts and wear parts have been used for operation.
- Presentation of the receipt.

Normal wear and tear of parts and components (such as blades, blade fixing parts, turbines, light bulbs, V-belts/toothed belts, impellers, air filters, spark plugs), visual changes, wear parts and consumables are excluded from the warranty.

This manufacturer's warranty is limited to replacement and repair of products in accordance with the abovementioned conditions. The manufacturer's warranty does not constitute an entitlement to lodge other claims against us as a manufacturer, such as for damages. This manufacturer's warranty does **not**, of course, affect statutory and contractual warranty claims against the dealer/retailer.

The manufacturer's warranty is governed by the law of the Federal Republic of Germany.

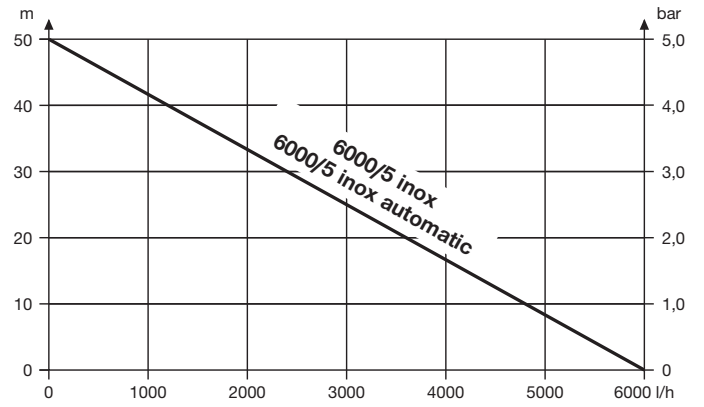
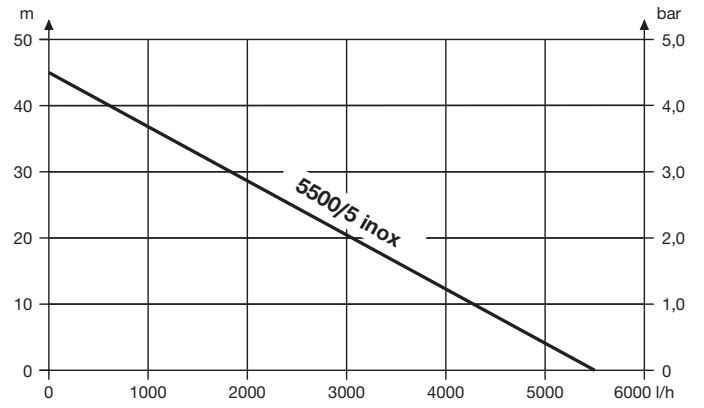
In case of a warranty claim, please return the faulty product, together with a copy of the receipt and a description of the fault, with postage paid to the service address.

Consumables:

The wear part turbine is excluded from the warranty.

Pumps damaged by frost are excluded from the warranty.

Pumpen-Kennlinien
Performance characteristics
Courbes de performance
Prestatiegrafiek
Kapacitetskurva
Ydelses karakteristika
Pumpun ominaiskäyrä
Pumpekarakteristikk
Curva di rendimento
Curva característica de la bomba
Características de performance
Charakterystyka pompy
Szivattyú-jelleggörbe
Charakteristika čerpadla
Charakteristiky čerpadla
Χαρηκτηριστικό διάγραμμα
Кривая производительности насоса
Karakteristika črpalka
Obilježja pumpe
Karakteristika pumpe
Крива характеристики насоса
Caracteristică pompă
Pompa karakter eğrisi
Помпена характеристика
Fuqia e pompës
Pumba karakteristik
Siurblio charakteristinė kreivė
Sūkņa raksturlīkne



Deutschland / Germany

GARDENA
Manufacturing GmbH
Central Service
Hans-Lorenser-Straße 40
D-89079 Ulm
Produktfragen:
(+49) 731 490-123
Reparaturen:
(+49) 731 490-290
service@gardena.com
http://www.gardena.com

Albania

KRAFT SHPK
Autostrada Tirane-Durres
Km 7
1051 Tirane

Argentina

ROBERTO C. RUMBO S.R.L.
Predio Norlog
Lote 7
Benavidez. ZC:1621
Buenos Aires
ventas@rubmosrl.com.ar

Australia

Husqvarna Australia Pty. Ltd.
Locked Bag 5
Central Coast BC
NSW 2252
Phone: (+61) (0) 2 4352 7400
customer.service@
husqvarna.com.au

Austria / Österreich

Husqvarna Austria GmbH
Industriezeile 36
4010 Linz
Tel.: (+43) 732 77 01 01-485
service.gardena@
husqvarnagroup.com

Azerbaijan

Firm Progress
a. Aliyev Str. 26A
1052 Baku

Belarus

Private Enterprise
"Master Garden"
Minsk
Sharangovich str., 7a
Phone: (+375) 17 257-00-33
Mob.: (+375) 29 676-16-09
mg@mastergarden.by

Belgium

Husqvarna Belgium nv
Gardena Division
Leuvensesteenweg 542
Planet II E
1930 Zaventem
België

Bosnia / Herzegovina

SILK TRADE d.o.o.
Industrijska zona Bukva bb
74260 Tešanj

Brazil

Husqvarna do Brasil Ltda
Av. Francisco Matarazzo,
1400 - 19º andar
São Paulo - SP
CEP: 05001-903
Tel: 0800-112252
marketing.br.husqvarna@
husqvarna.com.br

Bulgaria

AGROLAND България АД
бул. 8 Декември, №13
Офис 5
1700 Студентски град
София
Тел.: (+359) 2466 69 10
info@agroland.eu

Canada / USA

GARDENA Canada Ltd.
100 Summerlea Road
Brampton, Ontario L6T 4X3
Phone: (+1) 905 792 93 30
info@gardenacanada.com

Chile

REPRESENTACIONES
JCE S.A.
Av. Del Valle Norte 857,
Piso 4
Santiago RM
Phone: (+56) 2 24142560
contacto@jce.cl

China

Husqvarna (Shanghai)
Management Co., Ltd.
富世华 (上海) 管理有限公司
3F, Benq Square B,
No207, Song Hong Rd.,
Chang Ning District,
Shanghai
PRC. 200335
上海市长宁区淞虹路207号明
基广场B座3楼, 邮编: 200335

Colombia

Husqvarna Colombia S.A.
Calle 18 No. 68 D-31, zona
Industrial de Montevideo
Bogotá, Cundinamarca
Tel. 571 2922700 ext. 105
jairo.salazar@
husqvarna.com.co

Costa Rica

Compania Exim
Euroiberoamericana S.A.
Los Colegios, Moravia,
200 metros al Sur del Colegio
Saint Francis - San José
Phone: (+506) 297 68 83
exim_euro@racsa.co.cr

Croatia

Husqvarna Austria GmbH
Industriezeile 36
4010 Linz
Tel.: (+43) 732 77 01 01-485
service.gardena@
husqvarnagroup.com

Cyprus

Med Marketing
17 Digeni Akrita Ave
P.O. Box 27017
1641 Nicosia

Czech Republic

Husqvarna Česko s.r.o.
Türkova 2319/5b
149 00 Praha 4 - Chodov
Bezplatná infolinka:
800 100 425
servis@cz.husqvarna.com

Denmark

GARDENA DANMARK
Lejrvvej 19, st.
3500 Værløse
Tlf.: (+45) 70264770
husqvarna@husqvarna.dk
www.gardena.com/dk

Dominican Republic

BOSQUESA, S.R.L
Carretera Santiago Licey
Km. 5 ½
Esquina Copal II.
Santiago
Dominican Republic
Phone: (+809) 736-0333
joserbosquesa@claro.net.do

Ecuador

Husqvarna Ecuador S.A.
Arupos E1-181 y 10 de
Agosto Quito, Pichincha
Tel. (+593) 22800739
francisco.jacome@
husqvarna.com.ec

Estonia

Husqvarna Eesti OÜ
Valdeku 132
EE-11216 Tallinn
info@gardena.ee

Finland

Oy Husqvarna Ab
Gardena Division
Lautatarhankatu 8 B/PL 3
00581 HELSINKI
www.gardena.fi

France

Husqvarna France
9/11 Allée des pierres mayettes
92635 Gennevilliers Cedex
France
http://www.gardena.com/fr
N° AZUR: 0 810 00 78 23
(Prix d'un appel local)

Georgia

Transporter LLC
113b Beliasvili street
0159 Tbilisi, Georgia

Great Britain

Husqvarna UK Ltd
Preston Road
Aycliffe Industrial Park
Newton Aycliffe
County Durham
DL5 6UP
info.gardena@
husqvarna.co.uk

Greece

Π. ΠΑΠΑΔΟΠΟΥΛΟΣ ΑΕΒΕ
Λεωφ. Αθηνών 92
Αθήνα
T.K.104 42
Ελλάδα
Τηλ. (+30) 210 5193100
info@papadopoulos.com.gr

Hungary

Husqvarna Magyarország Kft.
Ezred u. 1-3
1044 Budapest
Telefon: (+36) 1 251-4161
vevoszolgalat.husqvarna@
husqvarna.hu

Iceland

BYKO ehf.
Bildshófa 20
110 Reykjavik

Ireland

Husqvarna UK Ltd
Preston Road
Aycliffe Industrial Park
Newton Aycliffe
County Durham
DL5 6UP
info.gardena@
husqvarna.co.uk

Italy

Husqvarna Italia Spa
Centro Direzionale Planum
Via del Lavoro 2, Scala B
22036 ERBA (CO)
Tel. (+39) 031.4147700
assistenza.italia@
it.husqvarna.com

Japan

Husqvarna
Zenoah Co. Ltd. Japan
1-9 Minamidai, Kawagoe
350-1165 Saitama
Japan
gardena-jp@
husqvarnagroup.com

Kazakhstan

LAMED Ltd.
155/1, Tazhibayevoi Str.
050060 Almaty
IP Schmidt
Abayavenue 3B
110 005 Kostanay

Korea

Kyung Jin Trading CO.,LTD.
107-4, SunDuk Bld.,
YangJae-dong,
Seocho-gu,
Seoul, (zipcode: 137-891)
Phone: (+82) (0)2 574-6300

Latvia

Husqvarna Latvija SIA
Ulbrokas 19A
LV-1021 Riga
info@gardena.lv

Lithuania

UAB Husqvarna Lietuva
Ateities pl. 77C
LT-52104 Kaunas
info@gardena.lt

Luxembourg

Magasins Jules Neuberg
39, rue Jacques Stas
Luxembourg-Gasperich 2549
Case Postale No. 12
Luxembourg 2010
Phone: (+352) 40 14 01
api@neuberg.lu

Mexico

AFOSA
Av. Lopez Mateos Sur # 5019
Col. La Calma 45070
Zapopan, Jalisco
Mexico
Phone: (+52) 33 3818-3434
icornejo@afosa.com.mx

Moldova

Convel S.R.L.
290A Muncesti Str.
2002 Chisinau

Netherlands

Husqvarna Nederland B.V.
GARDENA Division
Postbus 50131
1305 AC ALMERE
Phone: (+31) 36 521 00 10
info@gardena.nl

Neth. Antilles

Jonka Enterprises N.V.
Sta. Rosa Weg 196
P.O. Box 8200
Curaçao
Phone: (+599) 9 767 66 55
pgm@jonka.com

New Zealand

Husqvarna New Zealand Ltd.
PO Box 76-437
Manukau City 2241
Phone: (+64) (0) 9 9202410
support.nz@husqvarna.co.nz

Norway

Husqvarna Norge AS
Gardena Division
Trøskenvæien 36
1708 Sarpsborg
info@gardena.no

Peru

Husqvarna Perú S.A.
Jr. Ramón Cárcamo 710
Lima 1
Tel: (+51) 1 3320 400 ext. 416
juan.remuzgo@
husqvarna.com

Poland

Husqvarna
Poland Spółka z o.o.
ul. Wysockiego 15 b
03-371 Warszawa
Phone: (+48) 22 330 96 00
gardena@husqvarna.com.pl

Portugal

Husqvarna Portugal, SA
Lagoa - Albarraque
2635 - 595 Rio de Mouro
Tel.: (+351) 21 922 85 30
Fax : (+351) 21 922 85 36
info@gardena.pt

Romania

Madex International Srl
Soseaua Odaii 117-123,
RO 013603 București, S1
Phone: (+40) 21 352.76.03
madex@ines.ro

Russia / Россия

ООО „Хускварна“
141400, Московская обл.,
г. Химки,
улица Ленинградская,
владение 39, стр.6
Бизнес Центр
„Химки Бизнес Парк“,
помещение ОВ02_04
http://www.gardena.ru

Serbia

Domel d.o.o.
Autoput za Novi Sad bb
11273 Belgrade
Phone: (+381) 1 18 48 88 12
miroslav.jejina@domel.rs

Singapore

Hy-Ray PRIVATE LIMITED
40 Jalan Pemimpin
#02-08 Tat Ann Building
Singapore 577185
Phone: (+65) 6253 2277
shiyong@hyray.com.sg

Slovak Republic

Husqvarna Česko s.r.o.
Türkova 2319/5b
149 00 Praha 4 - Chodov
Bezplatná infolinka: 800 154 044
servis@sk.husqvarna.com

Slovenia

Husqvarna Austria GmbH
Industriezeile 36
4010 Linz
Tel.: (+43) 732 77 01 01-485
service.gardena@
husqvarnagroup.com

South Africa

Husqvarna South Africa (Pty) Ltd
Postnet Suite 250
Private Bag X6,
Cascades, 3202, South Africa
Phone: (+27) 33 846 9700
info@gardena.co.za

Spain

Husqvarna España S.A.
Calle de Rivas nº 10
28052 Madrid
Phone: (+34) 91 708 05 00
atencioncliente@gardena.es

Suriname

Deto Handelmaatschappij N.V.
Kernkampweg 72-74
P.O.Box: 12782
Paramaribo - Suriname
South America
Phone: (+597) 438050
www.deto.sr

Sweden

Husqvarna AB/
GARDENA Sverige
Drottninggatan 2
561 82 Huskvarna Sverige

Switzerland / Schweiz

Husqvarna Schweiz AG
Consumer Products
Industriestrasse 10
5506 Mägenwil
Phone: (+41) (0) 62 887 37 90
info@gardena.ch

Turkey

Dost Bahçe Diş Ticaret
Mümessillik A.Ş
Yunus Mah. Adil Sok. No:3
Ic Kapi No: 1 Kartal
34873 Istanbul
Phone: (+90) 216 38 93 939
info@dostbahce.com.tr

Ukraine / Україна

ТОВ «Хускварна Україна»
вул. Васильківська, 34,
офіс 204-г
03022, м. Київ
Тел. (+38) 0 800 504 804
info@gardena.ua

Uruguay

FELI SA
Entre Ríos 1083 CP 11800
Montevideo - Uruguay
Tel: (+598) 22 03 18 44
info@felisa.com.uy

Venezuela

Corporación Casa y Jardín C.A.
Av. Caroní, Edif. Trezmen, PB.
Colinas de Bello Monte.
1050 Caracas.
Tlf: (+58) 212 992 33 22
info@casayjardin.net.ve

1489-20.960.08/1220
© GARDENA Manufacturing GmbH
D-89079 Ulm
http://www.gardena.com