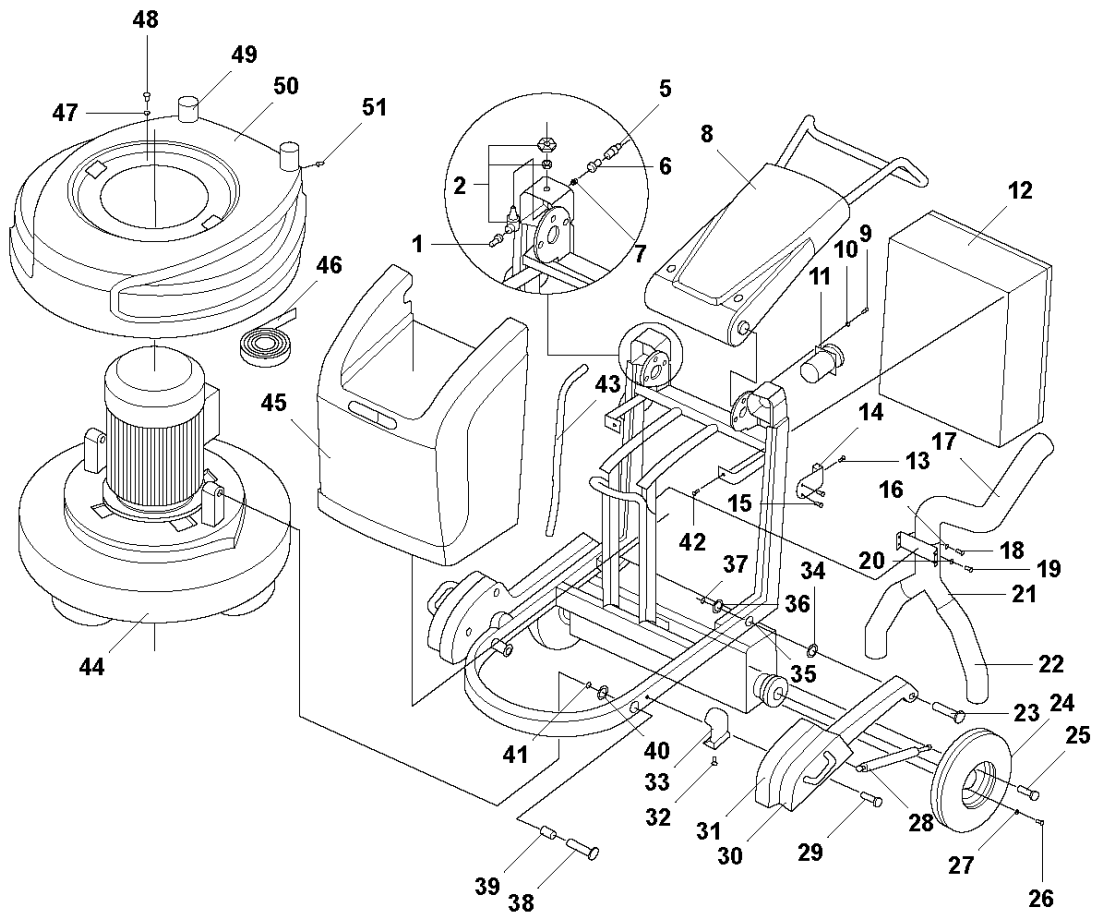


SPARE PARTS LIST

SURFACE PREPARATION EQUIPMENT

HTC 950RX, 967837701, 967837702,
2019-01

A HTC 950RX
CHASSIS

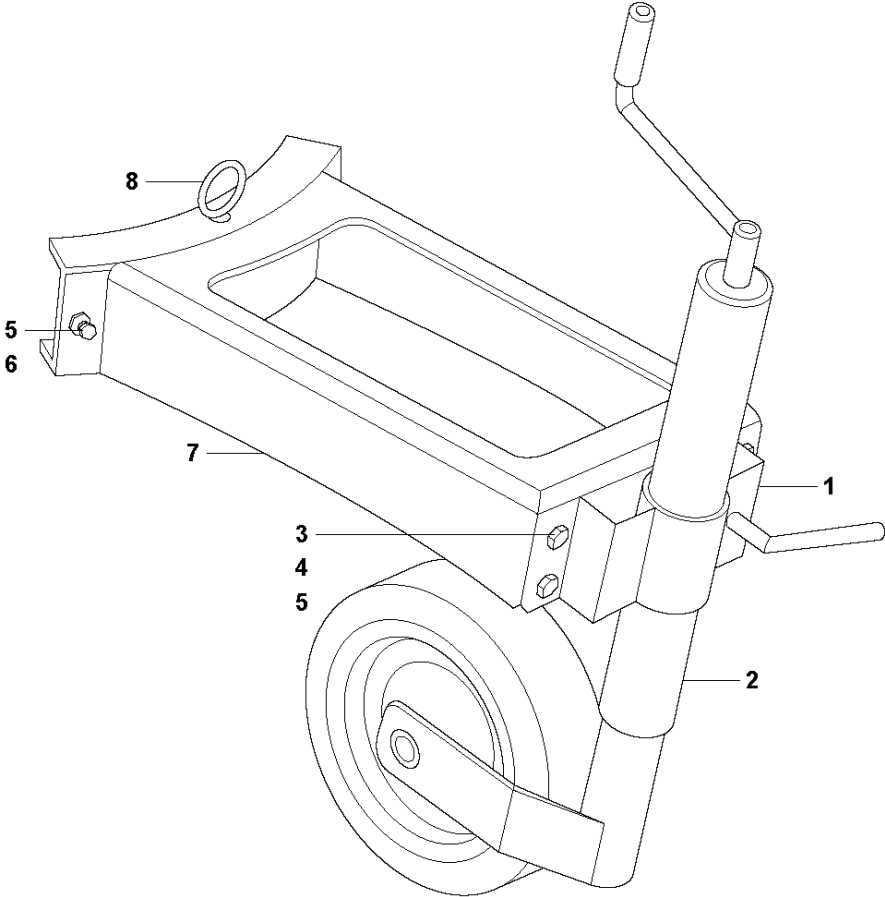


CHASSIS

HTC 950RX, 967837701, 967837702, 2019-01

Ref	Part No	Description	Remark	QTY KIT
1	593 41 70-01	HOSE CONNECTOR	HOSE CONNECTION 3/8	1
2	593 43 93-01	VALVE	SLIDING VALVE	1
5	595 81 12-01	COUPLING	QUICK COUPLING FEMALE	1
6	595 81 13-01	COUPLING	QUICK COUPLING MALE	1
7	595 81 14-01	BARREL	BARREL NIPPLE 3/8	1
8	0	TBD	HANDLE COMPLETE	1
9	593 50 20-01	SCREW	SCREW M5x12	4
10	593 50 43-01	WASHER	WASHER M5	4
11	593 41 33-01	TUBE	SUCTION TUBE	1
12	595636301	TBD	POWER UNIT 15Kw	1
13	593 50 40-01	SCREW	SCREW M8x35	2
14	593 42 21-01	WEAR PROTECTION	WEAR PROTECTION UPPER	2
15	593 49 78-01	SCREW	SCREW M6X25	4
16	593 49 60-01	WASHER	WASHER M6	4
17	593 47 87-01	HOSE	HOSE 75mm. 0.7m	1
18	593 50 00-01	LOCK NUT	NUT NYLOCK M6	4
19	593 49 73-01	SCREW	SCREW M6X12	4
20	593 49 60-01	WASHER	WASHER M6	4
21	595 80 99-01	PIPE	FORK PIPE	1
22	593 47 91-01	HOSE	HOSE 63mm. 0.5m	1
23	593 41 35-01	SHAFT	WEIGHT SHAFT	2
24	593 44 88-01	WHEEL	BLACK Ø355MM	2
24	593 46 90-01	WHEEL	GREY Ø330MM	2
25	593 41 39-01	PISTON	LEVER INDEXING PLUNGER	2
26	593 50 28-01	SCREW	SCREW M8x20	8
27	593 50 04-01	WASHER	WASHER M8	8
28	593 41 42-01	GAS SPRING	GAS SPRING COMPLETE	2
29	593 43 10-01	PISTON	LEVER INDEXING PLUNGER	2
30	595809501	TBD	WEIGHT 14Kg LEFT	1
30	593 41 86-01	HANDLE	BOW HANDLE	1
30	593 49 71-01	SCREW	SCREW M6x20	2
30	595809401	TBD	WEIGHT 14Kg RIGHT	1
30	593 41 86-01	HANDLE	BOW HANDLE	1
30	593 49 71-01	SCREW	SCREW M6x20	2
31	593 41 32-01	WEIGHT	WEIGHT 35Kg	2
31	593 42 20-01	WEIGHT	SLIDING STRIP	2
31	593 50 78-01	SCREW	SCREW M6x16	4
31	595 67 21-01	SCREW	SCREW M16x55	4
32	593 50 06-01	SCREW	SCREW M8x16	2
33	593 41 38-01	WEAR PROTECTION	WEAR PROTECTION LOWER	2
34	593 50 44-01	WASHER	WASHER M24	2
35	593 41 72-01	BUSHING	BUSHING BM25	2
36	593 50 44-01	WASHER	WASHER M24	2
37	593 49 68-01	CIRCLIP	CIRCLIP SGA 25	2
38	593 42 13-01	SHAFT	SHAFT CHASSI/GRINDING HEAD	2
39	593 41 72-01	BUSHING	BUSHING BF25	2
40	593 50 44-01	WASHER	WASHER M24	2
41	593 50 62-01	PIN	LOCKING PIN	2
42	593 50 06-01	SCREW	SCREW M8x16	4
43	0	TBD	HOSE COARSE ARMOURED	1
44	593 42 67-01	HEAD	GRINDING HEAD WITHOUT MOTOR	1
45	593 41 43-01	COVER	MACHINE COVER	1
46	593 61 55-01	CROSS MEMBER	VELCRO MALE 38mm	3
47	593 50 04-01	WASHER	WASHER M8	8
48	593 50 06-01	SCREW	SCREW M8x16	8
49	595 80 98-01	HOSE	SUCTION TUBE	2
50	593 42 27-01	COVER	COVER COMPLETE	1
50	593 52 49-01	COVER	FLOATING COVER COMPLETE	1
51	595671101	TBD	POP RIVET 4.8X19	4

B HTC 950RX
SUPPORT WHEEL

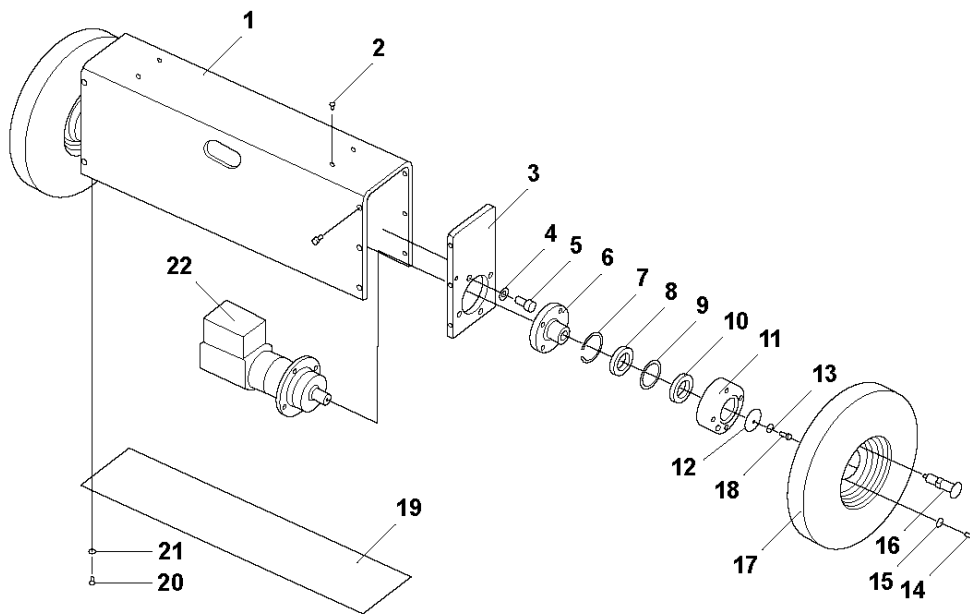


SUPPORT WHEEL

HTC 950RX, 967837701, 967837702, 2019-01

Ref	Part No	Description	Remark	QTY KIT
1	593 47 01-01	WHEEL BRACKET	BRACKET SUPORT WHEEL	1
2	593 47 00-01	SUPPORT WHEEL	SUPPORT WHEEL	1
3	593 49 91-01	WASHER	WASHER M10	4
4	593 49 58-01	LOCK NUT	LOCK NUT M10	4
5	593 49 97-01	SCREW	SCREW M10x30	6
6	593 50 09-01	NUT	NUT M10	2
7	593 53 01-01	CHASSIS	SUPPORT WHEEL CHASSIS	1
8	593 44 06-01	WHEEL	PIN	1

C HTC 950RX
DRIVE MOTOR ASSY

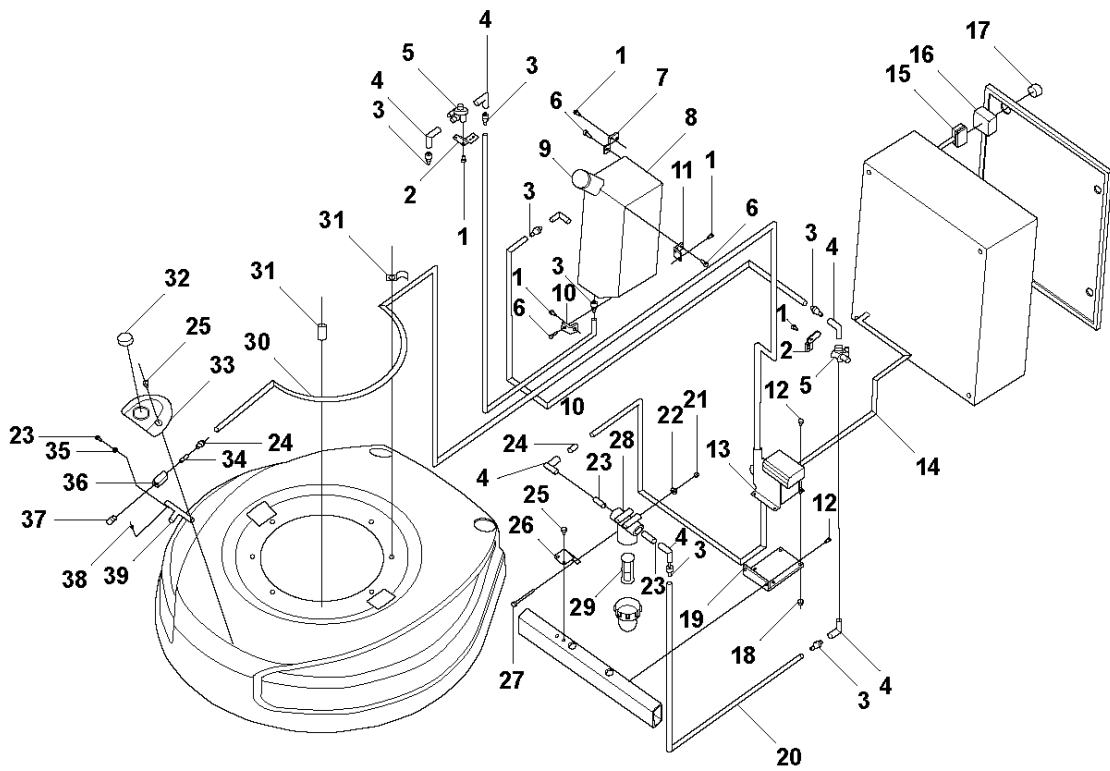


DRIVE MOTOR ASSY

HTC 950RX, 967837701, 967837702, 2019-01

Ref	Part No	Description	Remark	QTY KIT
1	593 41 90-01	BOX	Drive box	1
2	593 50 05-01	SCREW	Screw M10x20	4
3	0	TBD	End drive mechanism, left	1
3	0	TBD	End drive mechanism, right	1
4	593 49 94-01	WASHER	Washer BRB M12	8
5	593 49 59-01	SCREW	Screw M12X25	8
6	593 41 46-01	HUB	Hub wheel locking	2
7	593 50 46-01	CIRCLIP	Circlip SGH 62	2
8	593 41 63-01	BALL BEARING	Ball bearing	2
9	593 41 49-01	SPACER	Spacer wheel locking	2
10	593 41 63-01	BALL BEARING	Ball bearing	2
11	593 41 47-01	SLEEVE	Sleeve wheel locking	2
12	593 41 48-01	WASHER	Washer wheel locking	2
13	593 49 60-01	WASHER	Washer BRB M6	2
14	593 50 28-01	SCREW	Screw M8x20	8
15	593 50 04-01	WASHER	Washer BRB M8	8
16	593 41 39-01	PISTON	Adjustment bolt, Lockable wheel	2
17	593 46 90-01	WHEEL	Wheel	2
18	593 50 42-01	SCREW	ScrewM6x35	2
19	0	TBD	Bottom plate drive mechanism	1
20	593 50 52-01	SCREW	Screw M5x10	12
21	593 50 43-01	WASHER	Washer BRB M5	12
22	593 41 69-01	DRIVER	If you have an old motor with number H110950 and last letter A to E. You need to change both motors. If the last letter is F, G, H and so on, you have a new model and it is enough to change one.	2
22	593 47 04-01	DRIVER	If you have an old motor with number H110950 and last letter A to E. You need to change both motors. If the last letter is F, G, H and so on, you have a new model and it is enough to change one.	2

D HTC 950RX
MIST COOLER

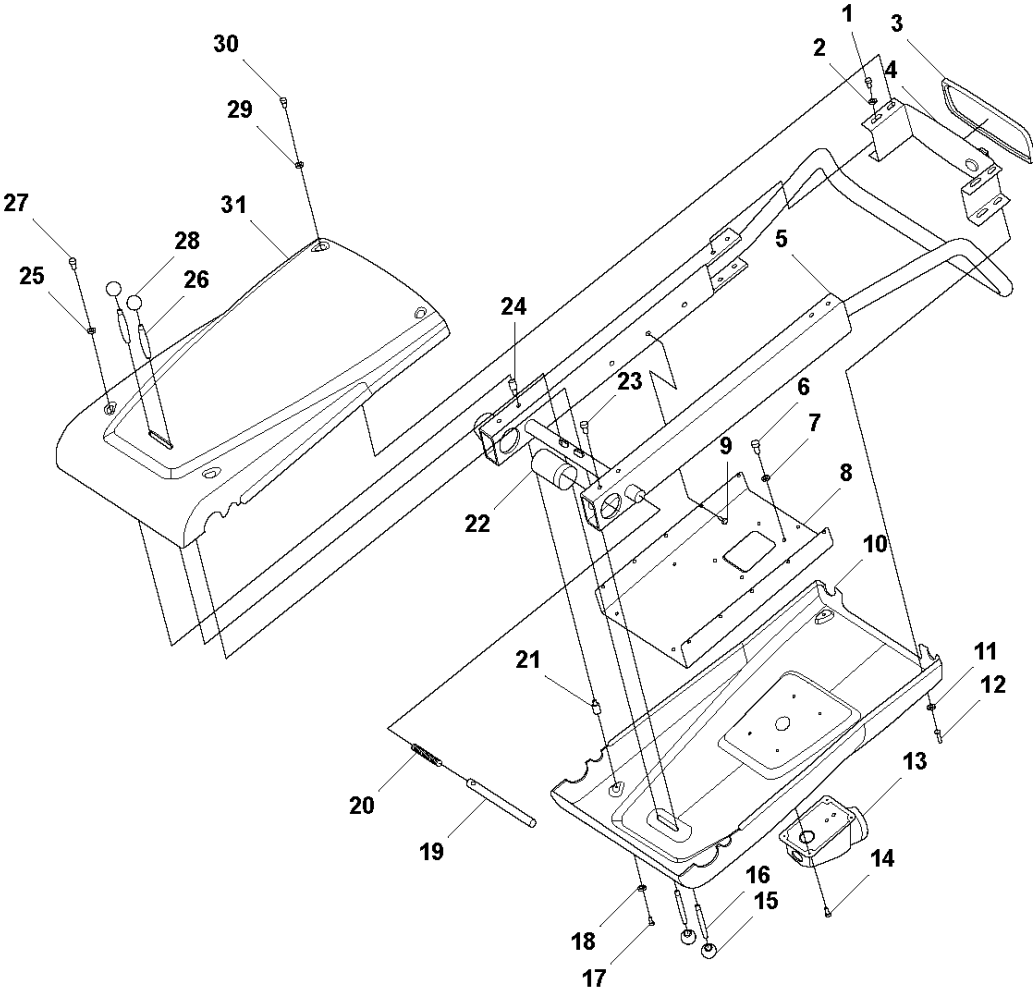


MIST COOLER

HTC 950RX, 967837701, 967837702, 2019-01

Ref	Part No	Description	Remark	QTY KIT
1	593 50 20-01	SCREW	Screw M5x12	14
2	595785601	TBD	Fixing plate ball valve, Left HTC 800	2
3	593 39 16-01	CONNECTOR	Hose connection 2601-12-1/4	7
4	593 38 96-01	ELBOW	Elbow piece MF 2020-1/4	7
5	593 38 10-01	VALVE	Water valve to grinder	2
6	593 50 26-01	SCREW	Screw	3
7	595814101	TBD	Attachment 2 water tank	1
8	595815101	TBD	Water tank 950	1
9	593 37 81-01	COVER	Pipe cover for suction casing	1
10	595814201	TBD	Attachment 3 water tank	1
11	595813901	TBD	Attachment water tank	1
12	593 50 07-01	SCREW	Screw M6x16	6
13	593 47 33-01	PUMP	Mist pump	1
14	595816501	TBD	Cable	1
15	593 39 96-01	BLOCK	Contact Block ZBE-101 (NO)	2
16	593 61 49-01	BASE	Mounting base, metal	1
17	593 42 99-01	KNOB	Knob black 2-pos	1
18	593 50 00-01	LOCK NUT	Nut Nylock M6	4
19	595814001	TBD	Fixing plate, pump	1
20	593 38 86-01	TUBE	Hose large reinforced PVC 1.1 m	1
21	593 49 98-01	LOCK NUT	Nut Nylock M8	2
22	593 50 04-01	WASHER	Washer BRB M8	2
23	593 42 69-01	BUSHING	Bushing 2531-1/2-1/4	2
24	593 42 68-01	HOSE CONNECTOR	Hose connection 1511-6/4-1/4	2
25	593 49 73-01	SCREW	Screw MC6S M6x12 8.8	6
26	595 81 67-01	BRACKET	Filter bracket	1
27	595 67 23-01	SCREW	Screw M8x80	2
28	593 42 36-01	FILTER	Filter holder incl filter	1
29	593 42 37-01	FILTER	Filter	28
30	593 43 38-01	TUBE	Hose 1.5 m	1
31	593 43 03-01	CABLE CLAMP	Cable clips 8 mm with M8 hole	2
32	595816401	TBD	Decal, HTC Mist Cooler System	1
33	593 42 55-01	COVER	Nozzle cover	1
34	593 42 39-01	FILTER	Filter VEF 0138T1B	1
35	593 49 60-01	WASHER	Washer BRB M6	2
36	593 42 56-01	NOZZLE HOLDER	Nozzle holder	1
37	593 42 38-01	NOZZLE	Nozzle RXT 0060 B1	1
38	593 50 08-01	RIVET	Pop rivet 4.8x12.7	3
39	593 42 57-01	SHAFT	Holder nozzle cover	1

E HTC 950RX
HANDLE

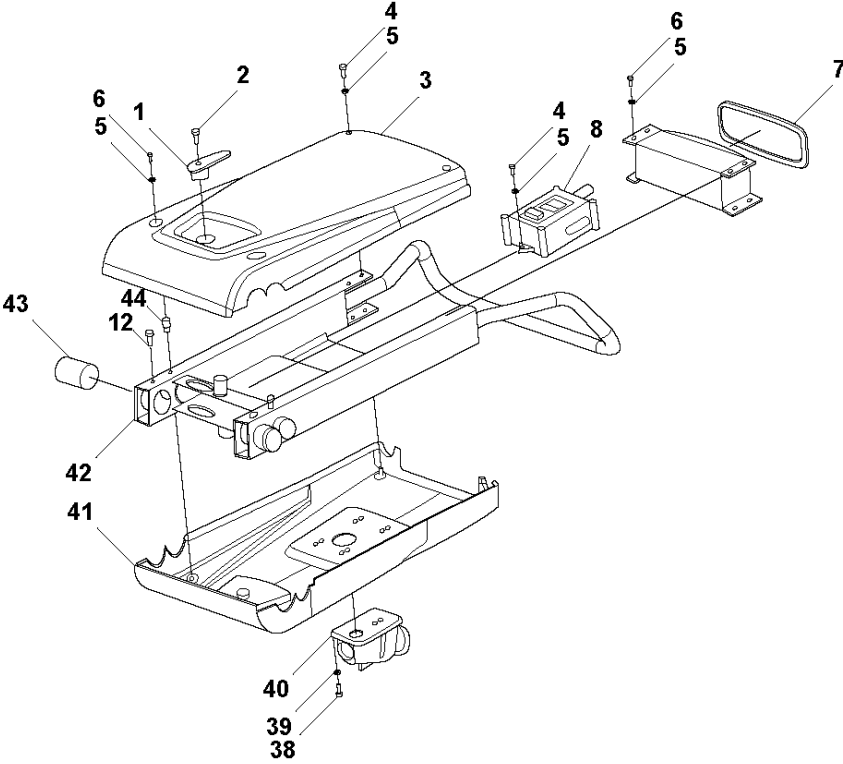


HANDLE

HTC 950RX, 967837701, 967837702, 2019-01

Ref	Part No	Description	Remark	QTY KIT
1	593 50 07-01	SCREW	Screw M6X16	4
2	593 49 60-01	WASHER	Washer BRB M6	4
3	593 41 74-01	GASKET	Packing control panel	1
4	0	TBD	Console instrument panel HTC 950 (discontinued)	1
5	0	TBD	Handle HTC 950 (discontinued)	1
6	0	TBD	Nut M5	4
7	593 50 43-01	WASHER	Washer BRB M5	4
8	0	TBD	Connecting plate (discontinued)	1
9	593 50 07-01	SCREW	Screw M6X16	6
10	593 41 45-01	COVER	Control casing, lower	1
11	593 49 60-01	WASHER	Washer BRB M6	2
12	593 50 07-01	SCREW	Screw M6X16	2
13	593 40 01-01	INLET	Wall inlet 32A 5P RED	1
13	593 40 13-01	INLET	Wall inlet 32A 5P BLACK	1
14	593 50 38-01	SCREW	Screw M5x20	4
15	593 41 41-01	KNOB	Handle ball	2
16	593 41 37-01	PIN	Pin	2
17	593 50 07-01	SCREW	Screw M6X16	2
18	593 49 60-01	WASHER	Washer BRB M6	2
19	593 41 34-01	SPRING PIN	Pin, chassis	2
20	595810401	TBD	Spring	1
21	593 50 39-01	SCREW	Spacer screw	2
22	593 41 36-01	HANDLE	Attachment pipe handle	2
23	593 49 96-01	SCREW	Screw M8x25	2
24	593 50 39-01	SCREW	Spacer screw	2
25	593 49 60-01	WASHER	Washer BRB M6	2
26	593 41 37-01	PIN	Pin	2
27	593 50 07-01	SCREW	Screw M6X16	2
28	593 41 41-01	KNOB	Handle ball	2
29	593 49 60-01	WASHER	Washer BRB M6	2
30	593 50 07-01	SCREW	Screw M6X16	2
31	593 41 44-01	COVER	Control casing	1

F HTC 950RX
HANDLE

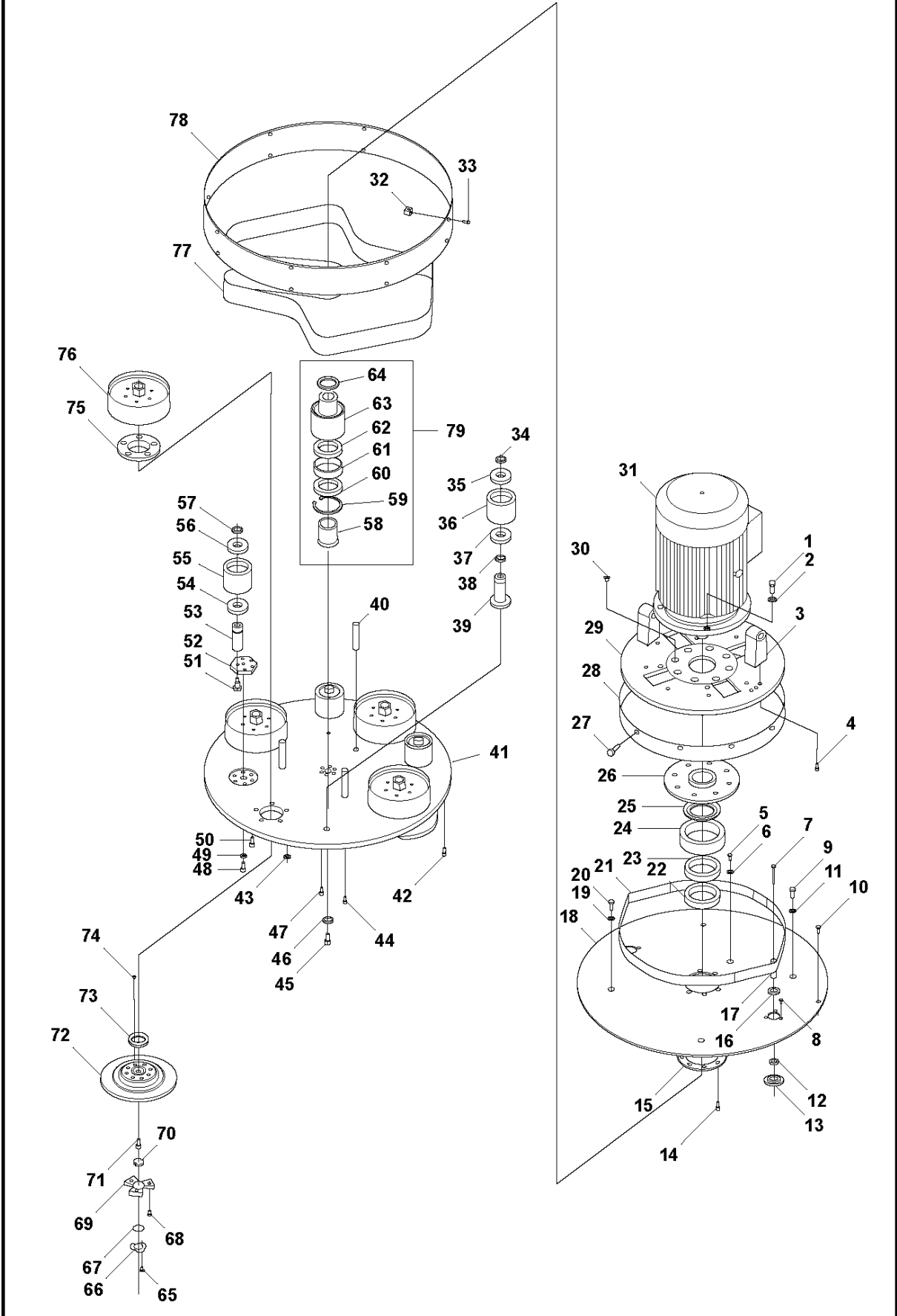


HANDLE

HTC 950RX, 967837701, 967837702, 2019-01

Ref	Part No	Description	Remark	QTY KIT
1	593 51 62-01	KNOB	KNOB	2
2	593 49 96-01	SCREW	SCREW M8X25	2
3	593 51 64-01	COVER	HANDLE COVER UPPER	1
4	593 50 07-01	SCREW	SCREW M6X16	6
5	593 49 60-01	WASHER	WASHER M6	10
6	593 49 73-01	SCREW	SCREW M6X12	4
7	593 41 74-01	GASKET	GASKET CONTROL PANEL	1
8	593 61 67-01	TRANSMISSION	RADIO SYSTEM RX COMPL.	1
12	593 49 96-01	SCREW	SCREW M8X25	4
38	593 50 38-01	SCREW	SCREW M5X20	4
39	593 50 43-01	WASHER	WASHER M5	4
40	593 40 13-01	INLET	POWER INLET 5P BLACK	1
40	593 40 01-01	INLET	POWER INLET 5P RED	1
41	593 51 63-01	COVER	HANDLE COVER LOWER	1
42	593 51 65-01	HANDLE	HANDLE WITH LOCK DEVICE	1
43	593 41 36-01	HANDLE	FASTENING PIPE HANDLE	2
44	593 50 39-01	SCREW	SPACER SCREW M6x20	4

G HTC 950RX
GRINDING HEAD



GRINDING HEAD

HTC 950RX, 967837701, 967837702, 2019-01

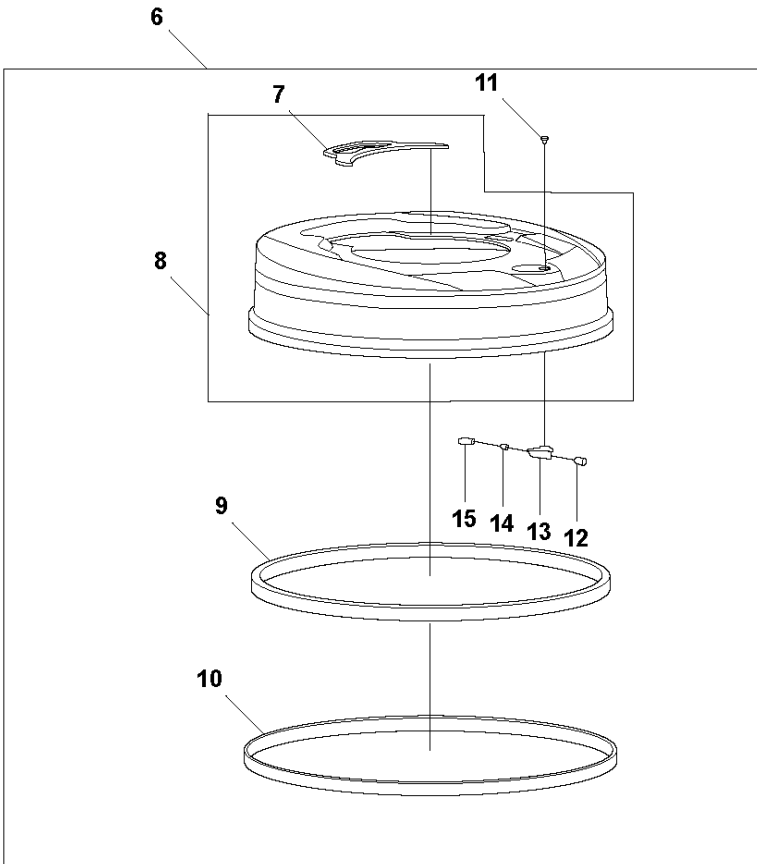
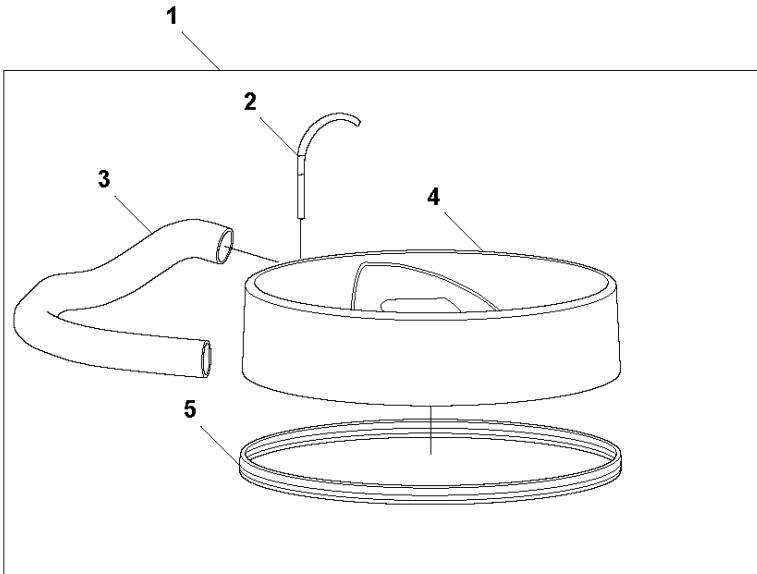
Ref	Part No	Description	Remark	QTY KIT
1	593 50 35-01	SCREW	Screw M16x30	4
2	593 49 75-01	WASHER	Washer BRB M16	4
4	593 50 28-01	SCREW	Screw M8x20	6
3	593 40 91-01	HINGE	Hinge Bracket	2
3	593 42 14-01	BUSHING	Hinge Bracket Bushing	2
5	593 49 52-01	SCREW	Screw M8x25	3
6	593 49 62-01	WASHER	Washer BRB M8	3
7	593 50 59-01	SCREW	Screw M8x120	2
8	593 49 72-01	SCREW	Screw M5x8	6
9	593 49 97-01	SCREW	Screw M10x30	2
10	593 50 28-01	SCREW	Screw M8x20	8
11	593 49 57-01	WASHER	Washer TBRB 22X10.5X4	2
12	593 41 15-01	RADIAL SEAL	Radial seal 20x30x5	2
13	593 41 03-01	SPACER	Spacer	2
14	0	TBD	Screw 8x30	8
15	593 40 98-01	COVER	Cover, centre hub	1
16	593 41 16-01	RING	Gamma ring 25x42x04	2
17	593 41 05-01	SHAFT	Shaft journal	2
17	593 50 53-01	PARALLEL KEY	Wedge RK	2
18	593 40 97-01	LID	Upper plate	1
19	593 49 57-01	WASHER	Washer TBRB 22X10.5X4	2
20	593 49 97-01	SCREW	Screw M10x30	2
21	593 41 88-01	POLY-V BELT	Belt, upper	1
22	593 41 18-01	BALL BEARING	Ball bearing 6017-2RS1	1
23	593 41 18-01	BALL BEARING	Ball bearing 6017-2RS1	1
24	593 40 95-01	CUP	Bearing cup	1
25	593 41 17-01	RING	Nilos ring	1
26	593 41 58-01	HUB	Hub motor plate	1
27	593 50 78-01	SCREW	Screw M6X16	10
28	0	TBD	Belt ring (cancelled)	1
28	593 43 18-01	RING	Belt ring part 1	2
28	593 43 19-01	RING	Belt ring part 2	2
29	593 41 00-01	ENGINE PLATE	Motor plate	1
30	593 50 05-01	SCREW	Screw MF6S M10x20	8
31	593 46 46-01	MOTOR	Motor 15kW	1
32	593 41 02-01	FIXING WASHER	Fixing boss	16
33	593 50 78-01	SCREW	Screw M6X16	16
34	593 49 81-01	CIRCLIP	Circlip SGA 35	2
35	593 38 51-01	BALL BEARING	Ball bearing 6207 2rs C3	2
36	593 41 07-01	WHEEL	Tensioning wheel HTC 950	2
37	593 38 51-01	BALL BEARING	Ball bearing 6207 2rs C3	2
38	593 49 81-01	CIRCLIP	Circlip SGA 35	2
39	593 41 06-01	SHAFT	Axle belt tensioner, lower	2
40	593 40 99-01	SHAFT	Shaft	3
41	593 62 65-01	LID	Lower Plate	1
42	593 49 96-01	SCREW	Screw M8x25	8
43	593 50 34-01	NUT	Nut, low fine thread	20
44	593 50 28-01	SCREW	Screw M8x20	3
45	593 50 35-01	SCREW	Screw M16X30	1
46	593 49 75-01	WASHER	Washer BRB M16	1
47	593 50 28-01	SCREW	Screw M8x20	6
48	593 49 97-01	SCREW	Screw M10x30	4
49	593 49 91-01	WASHER	Washer BRB M10	4
50	593 50 28-01	SCREW	Screw M8x20	12
51	593 50 33-01	SCREW	Shoulder screw 16xM12x25	2
52	593 41 09-01	PLATE	Tensioning wheel plate Exc.	2
53	593 41 08-01	SHAFT	Tensioning wheel shaft Exc.	2
54	593 38 51-01	BALL BEARING	Ball bearing 6207 2rs C3	2
55	593 41 07-01	WHEEL	Tensioning wheel	2
56	593 38 51-01	BALL BEARING	Ball bearing 6207 2rs C3	2
57	593 49 81-01	CIRCLIP	Circlip SGA 35	2
58	593 40 92-01	SHAFT	Shaft Centre hub	1

GRINDING HEAD

HTC 950RX, 967837701, 967837702, 2019-01

Ref	Part No	Description	Remark	QTY KIT
59	593 50 30-01	CIRCLIP	Circlip SGH 100	1
60	593 41 13-01	BALL BEARING	Ball bearing 6013-2RS1	1
61	593 40 93-01	SPACER	Spacer 28 HTC 950	1
62	593 41 13-01	BALL BEARING	Ball bearing 6013-2RS1	1
63	593 40 94-01	PULLEY	Centre hub HTC 950	1
64	593 50 29-01	CIRCLIP	Circlip SGA 65	1
65	0	TBD	Screw MFT-TT M6X16	8
66	0	TBD	Cross-piece, part 2 HTC	4
67	593 41 14-01	O-RING	O-ring 32.1mm cross	4
68	593 49 99-01	SCREW	Screw MFT M8X16	12
69	593 61 57-01	CROSS MEMBER	Cross-piece, part 1 HTC	4
70	593 61 58-01	CROSS MEMBER	Cross-piece, part 3 HTC	4
71	593 50 36-01	SCREW	Screw MC6S M12x25 zinc-plated	4
72	593 41 27-01	HOLDER	Grinding holder complete	4
72	593 43 90-01	HOLDER	Grinding cardan holder complete	4
73	593 41 23-01	RING	Seal 45x75 LSTO	4
74	593 49 89-01	PIN	Cylinder pin CP 6x20	24
75	593 41 01-01	HUB	Spacer disc Hub	4
76	593 41 24-01	HUB ASSY	Hub packet driving	2
76	593 42 44-01	HUB ASSY	Hub packet not driving	2
77	593 41 19-01	BELT	Belt, inner	1
78	593 40 96-01	RIM	Edging strip	1
79	593 41 25-01	PULLEY		1

H HTC 950RX
COVER

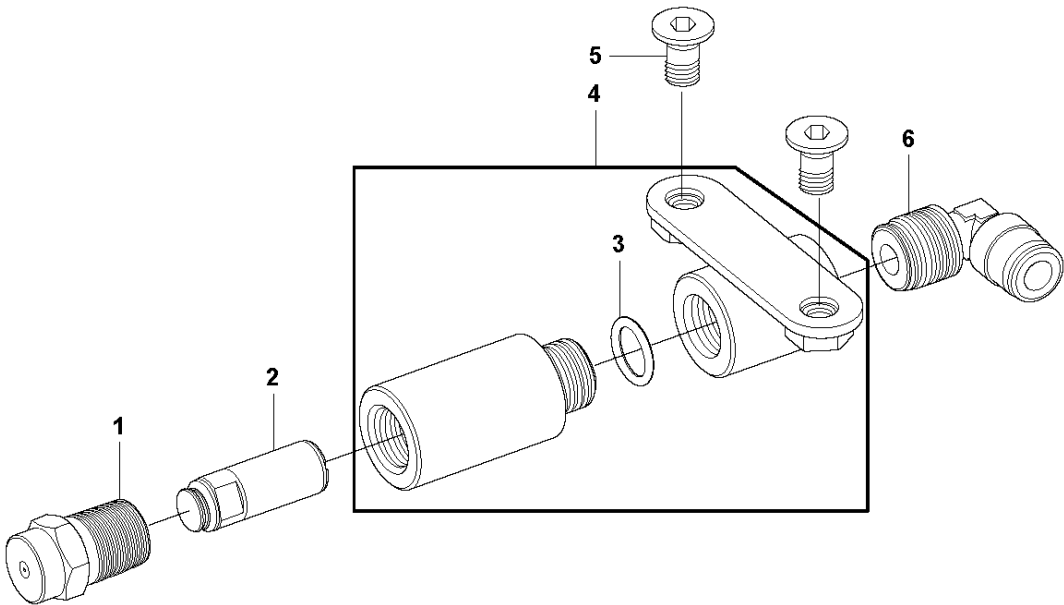


COVER

HTC 950RX, 967837701, 967837702, 2019-01

Ref	Part No	Description	Remark	QTY KIT
1	593 52 51-01	COVER	FLOATING COVER OUTER COMPL	1
2	593 38 86-01	TUBE	HOSE 10 mm * 1.4 m REINFORCED	1
3	593 47 87-01	HOSE	"HOSE 3"" * 1.4 m"	1
4	593 45 48-01	COVER	FLOATING COVER OUTER	1
5	593 44 61-01	STRIP	BRUSH LIST 15 mm * 3.1 m	1
6	593 52 50-01	COVER	FLOATING COVER INNER COMPL	1
7	595699801	TBD	COVER	1
8	593 45 47-01	COVER	FLOATING COVER INNER	1
9	593 52 74-01	COVER	FOAM VELOUR BACK 30X17	1
9	593 61 56-01	CROSS MEMBER	VELCRO MALE 20 mm * 3 m	1
10	593 52 75-01	COVER	FOAM VELOUR BACK 30X8	1
10	593 61 56-01	CROSS MEMBER	VELCRO MALE 20 mm * 3 m	1
11	593 50 78-01	SCREW	SCREW M6X16	2
12	593 42 38-01	NOZZLE	NOZZLE	1
13	593 51 82-01	BRACKET	MIST BRACKET	1
14	593 42 39-01	FILTER	FILTER	1
15	593 44 98-01	CONNECTOR	"CONNECTOR ANGLE 6MM OUTS. 1/4"" "	1

**HTC 950RX
MIST NOZZLE**

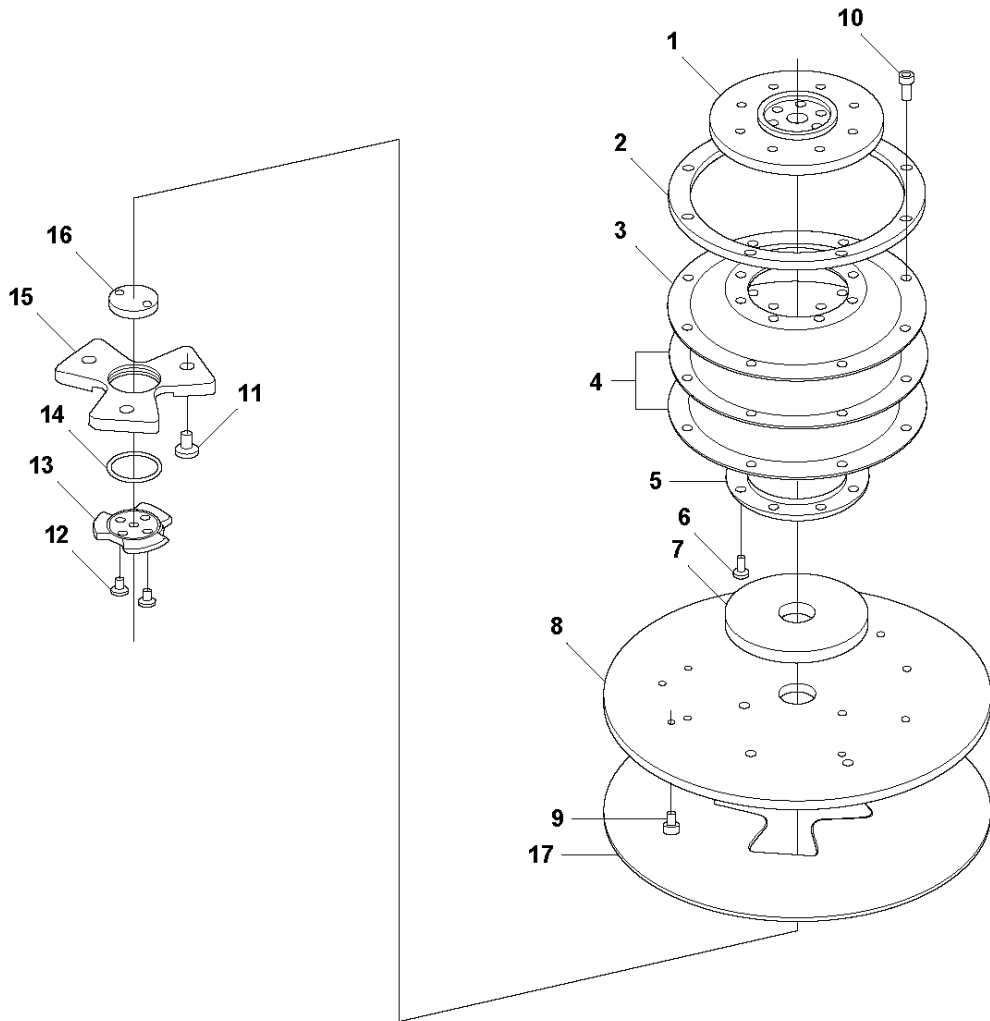


MIST NOZZLE

HTC 950RX, 967837701, 967837702, 2019-01

Ref	Part No	Description	Remark	QTY KIT
1	593 42 38-01	NOZZLE	NOZZLE	1
2	593 42 39-01	FILTER	FILTER	1
3	595645001	TBD	O-RING	1
4	593 51 82-01	BRACKET	MIST HOLDER COMPLETE	1
5	593 50 78-01	SCREW	SCREW M6X16	2
6	593 44 98-01	CONNECTOR	CONNECTOR ANGLE	1

J HTC 950RX
GRINDING HOLDER ASSY

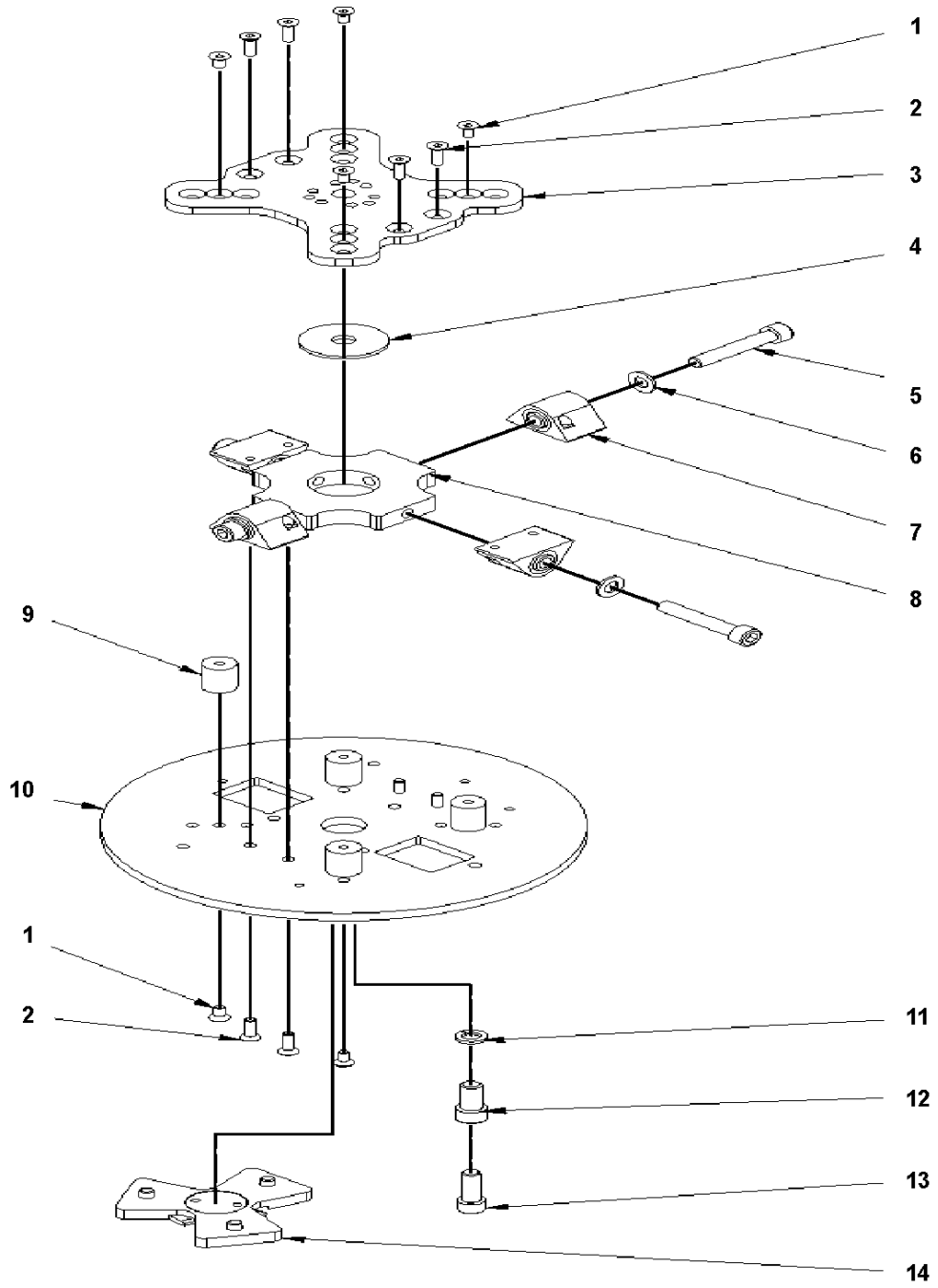


GRINDING HOLDER ASSY

HTC 950RX, 967837701, 967837702, 2019-01

Ref	Part No	Description	Remark	QTY KIT
1	593 41 10-01	HOLDER	Grinding holder, upper HTC 950	1
2	593 41 21-01	HOLDER	Polycord holder, outer HTC 9500	1
3	593 39 70-01	CABLE	Polycord black 184 mm	1
4	593 39 68-01	CABLE	Polycord green 184 mm	2
5	593 41 20-01	HOLDER	Polycord holder, inner HTC 950	1
6	593 50 78-01	SCREW	Screw MFTS M6X16	8
7	593 41 11-01	SPRING	Spring HTC 950	1
8	593 41 22-01	HOLDER	Lower grinding holder	1
9	0	TBD	Screw MC6S M6X10 (cancelled)	1
10	593 50 07-01	SCREW	Screw MC6S M6X16	8
11	593 49 99-01	SCREW	Screw MFT M8X16	3
12	593 50 12-01	SCREW	Screw MFTS M6X9	2
13	0	TBD	Cross-piece, part 2 HTC	1
14	593 41 14-01	O-RING	O-ring 32.1mm cross	1
15	593 61 57-01	CROSS MEMBER	Cross-piece, part 1 HTC	1
16	593 61 58-01	CROSS MEMBER	Cross-piece, part 3 HTC	1
17	0	TBD	VELCRO Clos.grind.hold. 220mm	1

K HTC 950RX
GRINDING HOLDER ASSY

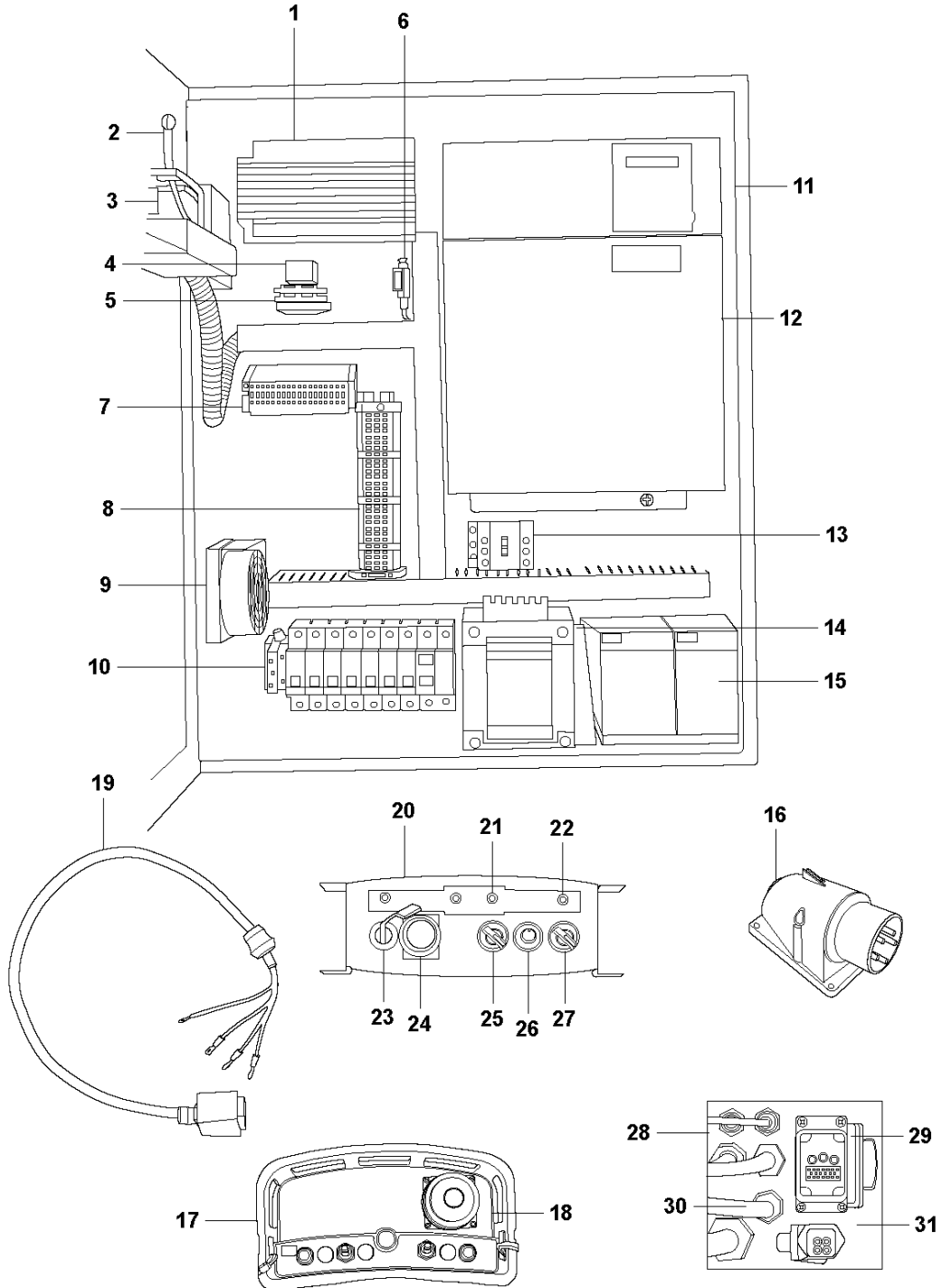


GRINDING HOLDER ASSY

HTC 950RX, 967837701, 967837702, 2019-01

Ref	Part No	Description	Remark	QTY KIT
1	593 50 85-01	SCREW	SCREW MFTS M6X12 10.9 ZP	8
2	593 50 51-01	SCREW	SCREW MFTS M6X20 10.9 ZP	8
3	593 43 82-01	PLATE	UPPER GRIND HOLDER PLATE	1
4	593 43 86-01	HOLDER	WASHER	1
5	593 49 66-01	SCREW	SCREW MC6S M10X60 12.9 PLAIN	4
6	593 49 91-01	WASHER	WASHER BRB M10 ZP	4
7	593 71 81-01	KIT	EAR WIDE COMPLETE	4
8	593 43 84-01	HOLDER	CARDAN CONNECTION	1
9	595 74 84-01	ABSORBER	SHOCK ABSORBER 20x25 M6	4
10	593 43 85-01	PLATE	GRIND HOLDER PLATE	1
11	593 50 99-01	LOCKWASHER	WASHER A 10 DIN 127	1
12	593 50 36-01	SCREW	SCREW MC6S M12X25 8.8 ZP	1
13	593 50 41-01	SCREW	SCREW MC6S M10X30 12.9 PLAIN	1
14	593 61 59-01	CROSS MEMBER	CROSS COMPLETE	1

L HTC 950RX
ELECTRICAL CABINET



ELECTRICAL CABINET

HTC 950RX, 967837701, 967837702, 2019-01

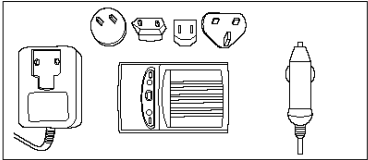
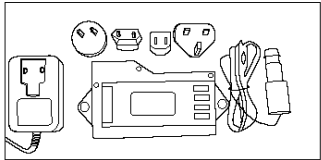
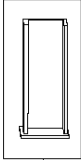
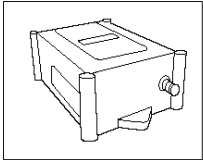
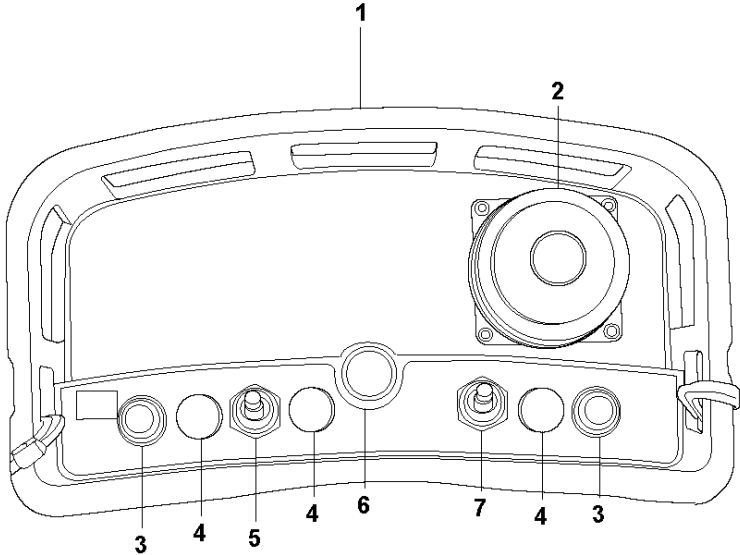
Ref	Part No	Description	Remark	QTY KIT
1	593 43 52-01	BATTERY CHARGER	CHARGER	1
2	593 39 53-01	HOUR METER	HOUR METER	1
3	593 42 99-01	KNOB	MIST SWITCH	1
3	593 61 49-01	BASE	MOUNTING BASE	1
3	593 39 96-01	BLOCK	CONTACT BLOCK GREEN (NO)	2
4	593 44 28-01	RELAY	RELAY	1
4	593 46 10-01	BASE	RELAY SOCKEL	1
5	593 55 35-01	FUSE	FUSE 4A	2
5	593 55 28-01	TERMINAL	FUSE TERMINAL	2
6	595734101	TBD	FUSE 20A	1
6	595734201	TBD	FUSE TERMINAL	1
7	593 44 85-01	TERMINAL BLOCK	TERMINAL BLOCK 2.5N GREY	16
7	593 55 37-01	TERMINAL BLOCK	TERMINAL BLOCK 4N GREY	2
8	593 44 85-01	TERMINAL BLOCK	TERMINAL BLOCK 2.5N GREY	22
8	593 55 37-01	TERMINAL BLOCK	TERMINAL BLOCK 4N GREY	3
8	595733801	TBD	TERMINAL BLOCK 4N GREEN	3
9	593 45 82-01	FAN	FILTER FAN	1
9	593 47 51-01	FILTER HOLDER	FILTER HOLDER	1
10	593 55 34-01	FUSE	FUSE 1.25A	1
10	593 55 28-01	TERMINAL	FUSE TERMINAL	1
10	593 44 47-01	FUSE	FUSE 2POL C10A	1
10	593 44 48-01	FUSE	FUSE 1POL D10A	2
10	593 44 16-01	FUSE	FUSE 1POL B4A	1
10	593 43 81-01	FUSE	FUSE 2POL C1A	1
10	593 45 33-01	FUSE	RCD ID 2POL 25A 30mA	1
11	593 47 51-01	FILTER HOLDER	FILTER HOLDER	1
12	593 69 74-02	FREQUENCY INVERTER	INVERTER	1
13	593 45 36-01	CONTACTOR	CONTACTOR	1
14	593 43 56-01	TRANSFORMER	TRANSFORMER	1
15	593 42 54-01	BATTERY	BATTERY	2
16	593 40 01-01	INLET	POWER INLET EU	1
16	593 40 13-01	INLET	POWER INLET US	1
17	593 61 67-01	TRANSMISSION	RADIO SYSTEM	1
18	593 46 17-01	JOYSTICK	JOYSTICK	1
19	593 44 13-01	CABLE	MOTOR CABLE	1
19	595741001	TBD	MOTOR CABLE US	1
20	593 44 12-01	CONTROL PANEL	OPERATOR PANEL	1
21	593 55 36-01	DIODE	LED RED	1
22	595734301	TBD	LED GREEN	1
23	593 43 58-01	KNOB	KEY KNOB 3-POS	1
23	593 61 49-01	BASE	MOUNTING BASE	1
23	593 39 97-01	BLOCK	CONTACT BLOCK RED (NC)	1
23	593 39 96-01	BLOCK	CONTACT BLOCK GREEN (NO)	1
24	593 40 67-01	PUSH BUTTON	EMERGENCY STOP PRESS BUTTON	1
24	593 61 49-01	BASE	MOUNTING BASE	1
24	593 39 97-01	BLOCK	CONTACT BLOCK RED (NC)	1
25	593 42 99-01	KNOB	KNOB 2-POS	1
25	593 61 49-01	BASE	MOUNTING BASE	1
25	593 39 96-01	BLOCK	CONTACT BLOCK GREEN (NO)	1
26	593 42 07-01	KNOB	POTENTIOMETER KNOB	1
26	593 42 07-01	KNOB	POTENTIOMETER	1
27	593 42 99-01	KNOB	KNOB 2-POS	1
27	593 61 49-01	BASE	MOUNTING BASE	1
27	593 39 96-01	BLOCK	CONTACT BLOCK GREEN (NO)	1
28	593 45 46-01	CABLE	DRIVE MOTOR CABLE	2

ELECTRICAL CABINET

HTC 950RX, 967837701, 967837702, 2019-01

Ref	Part No	Description	Remark	QTY KIT
29	593 55 32-01	SOCKET	MOTOR CABLE OUTLET	1
30	593 55 42-01	CABLE	OPERATOR PANEL CABLE	1
31	595735701	TBD	MIST CABLE OUTLET	1
31	595740701	TBD	MIST CABLE OUTLET US	1
32	593 55 57-01	CABLE	CABLE PANEL - RECEIVER	1

M HTC 950RX
REMOTE CONTROL



REMOTE CONTROL

HTC 950RX, 967837701, 967837702, 2019-01

Ref	Part No	Description	Remark	QTY KIT
1	593 61 67-01	TRANSMISSION	RADIOSYSTEMRX	1
1	593 61 69-01	TRANSMISSION	RADIOSYSTEMRX US	1
1	593 46 26-01	TRANSMISSION	SPARETRANSMITTER SERIAL NO: 999	1
1	593 55 62-01	TRANSMISSION	SPARETRANSMITTER SERIAL NO: 96001	1
2	593 46 17-01	JOYSTICK	JOYSTICK	1
3	593 48 52-01	PUSH BUTTON	PUSH BUTTON	2
3	593 48 53-01	PROTECTION	DUST SHIELD	2
4	593 48 51-01	POTENTIOMETER	POTENTIOMETER	2
5	593 45 62-01	TOGGLE SWITCH	TOGGLESWITCHL-O-L	1
6	593 43 07-01	SWITCH KIT	EMERGENCY PUSH BUTTON	1
6	595 79 64-01	STOP	EMERGENCYPIEZO PUSH BUTTON	1
7	593 48 03-01	TOGGLE SWITCH	TOGGLESWITCHL-O	1
7	595796501	TBD	CABLEFORTOGGLESWIT CHES AND PUSH BUTTONS	8
8	593 61 68-01	TRANSMISSION	RECEIVER SERIAL NO: 96001	1
9	593 43 09-01	BATTERY	BATTERY 1500mAh 7,2V	1
10	593 48 42-01	BATTERY CHARGER	CHARGER 7.2V (12V/24V DC and adapterfor GB,AUS, US &EU)	1
11	595 79 59-01	BATTERY	CHARGERAAATTERY(1 2V/24V DC and adapterfor GB,AUS, US &EU)	1