



Art. 19095

EN **Operator's manual**
smart Power Socket

GARDENA smart Power Socket

1. SAFETY	4
2. OPERATION	5
3. MAINTENANCE	9
4. STORAGE	9
5. TROUBLESHOOTING	10
6. TECHNICAL DATA	11
7. SERVICE/WARRANTY	12

Original instructions.



For safety reasons, children and young people under 16 as well as anyone who is not familiar with these operating instructions should not use the product. Persons with reduced physical or mental abilities may use the product only if they are supervised or instructed by a responsible person. Children must be supervised to ensure that they do not play with the product. Never operate the product when you are tired, ill or under the influence of alcohol, drugs or medicine.

Intended use:

The **GARDENA smart Power Socket** is intended for private use in domestic and hobby gardens to control 230 V devices.

The **GARDENA smart Power Socket** is part of the GARDENA smart system and can only be programmed together with the **GARDENA smart Gateway Art. 19000**.

1. SAFETY

Important!
Read the operator's manual carefully before use and keep for future reference.

Electrical safety



DANGER! Cardiac arrest!

This product makes an electromagnetic field while it operates. This field may under some conditions interfere with active or passive medical implants. To decrease the risk of conditions that can possibly injure or kill, we recommend persons with medical implants to speak with their physician and the medical implant manufacturer before you operate the product.



DANGER!
Electric shock!

Risk of injury due to electric shock.

The product must be supplied through a residual current device (RCD) having a rated residual operating current not exceeding 30 mA.

Turn off the device to be connected before plugging it in.

Read the operating instructions of the device to be connected before plugging it in.

After disconnecting the Power Socket from the power supply, wait at least 10 seconds to reconnect the Power Socket to the power supply.

The outlet must be located near the device and be easily accessible.

The product is secured by a temperature switch that switches the product off at temperatures above 40 °C.

→ Allow the product to cool down before you start operating it again.

Personal safety



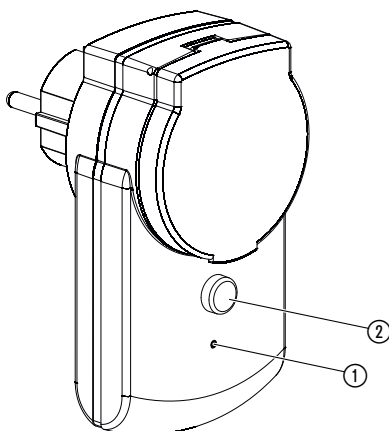
DANGER!
Risk of suffocation!

Small parts can be easily swallowed. There is also a risk that the polybag can suffocate toddlers. Keep toddlers away when you assemble the product.

The unit can be used in the temperature range -20 °C – $+35\text{ °C}$ outdoors.

2. OPERATION

Controls/LED-Display:



① **LED Connection display/Function:**

Green flashing: While connection

Green: Power on

Yellow: Identify

Red: Connection error

Off: Power off

② **On/Off button:**

For switching on or off manually.

Operation with the GARDENA smart system App:

You can use the **GARDENA smart system app** to control all smart system products from anywhere at any time. You can download the free **GARDENA smart system app** from the Apple App Store or from the Google Play Store.

In order to include, a **GARDENA smart Gateway** with internet connectivity is needed. All GARDENA smart products are integrated via the app. Follow the instructions inside the App.

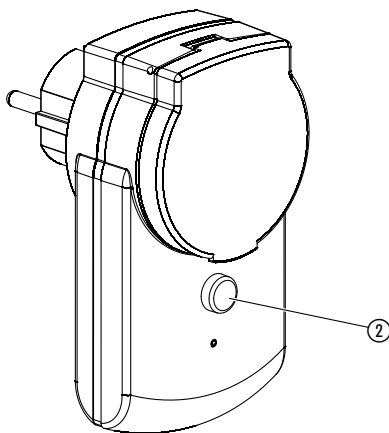
Settings of the Power Socket:

- According to the timings in the smart system App:
Switch on/off.

- As required in the smart system App:
Switch on/off.

Factory Reset:

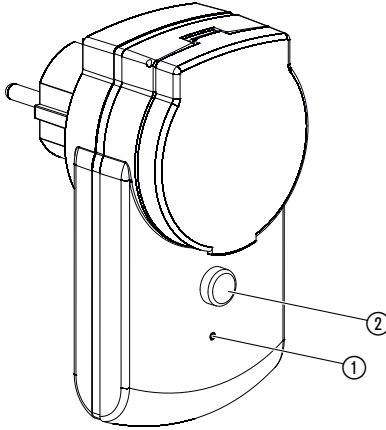
The Power Socket will be reset to the factory settings.



- Push and hold down the On/Off button ② for at least 5 seconds.
 Cancels the existing connection and allows a new connection to be established, e. g. different Gateway.

Manual operation by Power Socket:

The Power Socket can be switched on or off manually at any time (manual switching is only not possible during integration mode). A program-controlled on Power Socket can also be switched off early without changing the program data.



1. Press On/Off Button ② to switch on the Power Socket manually (or to switch off a on Power Socket).
The LED ① is illuminating green.
2. Press On/Off Button ② to switch off the Power Socket early.

The power-on time (0 to 59 min.) is according to the parameter of the GARDENA smart App.

If a program-controlled Power Socket has been switched off manually, this program-controlled Power Socket cannot be switched on again.

If the Power Socket has been switched on manually and a programmed start of the Power Socket overlaps the manual power-on time, the programmed starting time is suppressed.

Example:

The Power Socket is switched on at 9.00 a.m. manually, the power-on time is 30 minutes. A program with a start time between 9.00 and 9.30 a.m. will not be undertaken in this case.

3. MAINTENANCE

To clean the Power Socket:

No caustic / abrasive cleaning agents should be used.

→ Clean the Power Socket with a damp cloth (do not use solvent).

4. STORAGE

To put into storage:

The product must be stored away from children.

→ Do not store the Power Socket outdoors if not in use.

Disposal:

(in accordance with RL2012/19/EC)



The product must not be disposed of to normal household waste. It must be disposed of in line with local environmental regulations.

IMPORTANT!

Dispose of the product through or via your municipal recycling collection centre.

5. TROUBLESHOOTING

Problem	Possible Cause	Remedy
Program is not being undertaken	The Power Socket has previously been manually opened.	→ Avoid any program overlap.
No function	Power Socket is not connected.	→ Connect the Power Socket.
	Power Socket is too hot.	→ Disconnect the Power Socket and let it be cooled down. Connect the Power Socket again.
		→ Protect the Power Socket from direct sunlight.
Inclusion is not possible (Inclusion)	No wireless connection to the Gateway.	→ Select another position for the Power Socket or the Gateway.
	No power supply available.	→ Check the power supply to the outlet.
Power Socket does not respond	No wireless connection to the Gateway.	→ Check the wireless connection to the Gateway.



NOTE: For any other malfunctions please contact the GARDENA service department. Repairs must only be done by GARDENA service departments or specialist dealers approved by GARDENA.

6. TECHNICAL DATA

<i>smart Power Socket</i>	Unit	Value (Art. 19095)
Operation temperature range (outdoors)	°C	-20 °C – +35 °C
<i>SRD:</i>		
<i>Frequency range</i>	MHz	863 – 870
Maximum power	mW	25
Free field radio range (approx.)	m	100
Mains voltage	V (AC)	230
Mains frequency	Hz	50
Max. output current	A	16
Max. output power	W	3680

EC Declaration of Conformity:

Hereby, GARDENA Manufacturing GmbH declares that the radio equipment type (smart Power Socket Art. 19095) is in compliance with directive 2014/53/EU.

The full text of the EC declaration of conformity is available at the following internet address:

<http://www.gardena.com/int/support/safety-regulations>

7. SERVICE/WARRANTY

Service:

Please contact the address on the back page.

Warranty:

In the event of a warranty claim, no charge is levied to you for the services provided.

GARDENA Manufacturing GmbH offers a 2-year warranty for this product (from the date of purchase) if the product has been used exclusively for private purposes. This manufacturer's warranty does not apply to used products purchased from a secondary market. This warranty includes all significant defects of the product that can be proved to be material or manufacturing faults. This warranty is fulfilled by supplying a fully functional replacement product or by repairing the faulty product sent to us free of charge; we reserve the right to choose between these options. This service is subject to the following provisions:

- The product was used for its intended purpose as per the recommendations in the operating instructions.
- Neither the purchaser nor a third party has attempted to repair the product.
- Only original GARDENA spare and wear parts were used.

Normal wear and tear of parts and components, optical changes, as well as wear parts and consumables, are excluded from the warranty.

This manufacturer's warranty does not affect warranty entitlements against the dealer/retailer.

If problems arise with this product, please contact our Service department. In the event of a warranty claim, please send the defective product together with a copy of the purchase receipt and a description of the defect, sufficiently stamped, to the GARDENA service address on the back page.

Product liability:

In accordance with the German Product Liability Act, we hereby expressly declare that we accept no liability for damage incurred from our products where said products have not been properly repaired by a GARDENA approved service partner or where original GARDENA parts or parts authorised by GARDENA were not used.

Deutschland / Germany

GARDENA
 Manufacturing GmbH
 Central Service
 Hans-Lorenser-Straße 40
 D-89079 Ulm
 Produktfragen:
 (+49) 731 490-123
 Reparaturen:
 (+49) 731 490-290
 service@gardena.com

Albania

COBALT Sh.p.k.
 Rr. Siri Kodra
 1000 Tirana

Argentina

Husqvarna Argentina S.A.
 Av.del Libertador 5954 –
 Piso 11 – Torre B
 (C1248ARP) Buenos Aires
 Phone: (+54) 11 5194 5000
 info.gardena@
 ar.husqvarna.com

Armenia

Garden Land Ltd.
 61 Tigran Mets
 0005 Yerevan

Australia

Husqvarna Australia Pty. Ltd.
 Locked Bag 5
 Central Coast BC
 NSW 2252
 Phone: (+61) (0) 2 4352 7400
 customer.service@
 husqvarna.com.au

Austria / Österreich

Husqvarna Austria GmbH
 Industriezeile 36
 4010 Linz
 Tel.: (+43) 732 77 01 01-485
 service.gardena@
 husqvarnagroup.com

Azerbaijan

Firm Progress
 a. Aliyev Str. 26A
 1052 Bakı

Belgium

Husqvarna België nv/sa
 Gardena Division
 Rue Egide Van Ophem 111
 1180 Uccle / Ukkel
 Tel.: (+32) 2 720 92 12
 info@gardena.be

Bosnia / Herzegovina

SILK TRADE d.o.o.
 Industrijska zona Bukva bb
 74260 Tešanj

Brazil

Husqvarna do Brasil Ltda
 Av. Francisco Matarazzo,
 1400 – 19º andar
 São Paulo – SP
 CEP: 05001-903
 Tel: 0800-112252
 marketing.br.husqvarna@
 husqvarna.com.br

Bulgaria

AGROLAND България АД
 бул. 8 Декември, №13
 Офис 5
 1700 Студентски град
 София
 Тел.: (+359) 246669 10
 info@agroland.eu

Canada / USA

GARDENA Canada Ltd.
 100 Summerlea Road
 Brampton, Ontario L6T 4X3
 Phone: (+1) 905 792 9330
 info@gardenacanada.com

Chile

Maquinarias Agroforestales
 Ltda. (Maga Ltda.)
 Santiago, Chile
 Avda. Chesterton
 # 8355 comuna Las Condes
 Phone: (+56) 2 202 4417
 Zaitone@maga.cl
 Direccion: 7560330

China

Husqvarna (Shanghai)
 Management Co., Ltd.
 富世华 (上海) 管理有限公司
 3F, Benq Square B,
 No207, Song Hong Rd.,
 Chang Ning District,
 Shanghai, PRC. 200335
 上海市长宁区淞虹路207号明
 基广场B座3楼, 邮编: 200335

Colombia

Husqvarna Colombia S.A.
 Calle 18 No. 68 D-31, zona
 Industrial de Montevideo
 Bogotà, Cundinamarca
 Tel. 571 2922700 ext. 105
 jairo.salazar@
 husqvarna.com.co

Costa Rica

Compania Exim
 Euroberoamericana S.A.
 Los Colegios, Moravia,
 200 metros al Sur del Colegio
 Saint Francis – San José
 Phone: (+506) 297 6883
 exim_euro@racsca.co.cr

Croatia

Husqvarna Austria GmbH
 Industriezeile 36
 4010 Linz
 Tel.: (+43) 732 77 01 01-485
 service.gardena@
 husqvarnagroup.com

Cyprus

Med Marketing
 17 Digeni Akrita Ave
 P.O. Box 27017
 1641 Nicosia

Czech Republic

Husqvarna Česko s.r.o.
 Türkova 2319/5b
 149 00 Praha 4 – Chodov
 Bezpłatná infolinka:
 800 100 425
 servis@cz.husqvarna.com

Denmark

GARDENA DANMARK
 Lejrvej 19, st.
 3500 Værløse
 Tlf.: (+45) 70 26 4770
 husqvarna@husqvarna.dk
 www.gardena.com/dk

Dominican Republic

BOSQUESA, S.R.L
 Carretera Santiago Licey
 Km. 5 ½
 Esquina Copal II,
 Santiago
 Dominican Republic
 Phone: (+809) 736-0333
 josebrosquesa@claro.net.do

Ecuador

Husqvarna Ecuador S.A.
 Arupos E1-181 y 10 de
 Agosto Quito, Pichincha
 Tel. (+593) 22800739
 francisco.jacom@
 husqvarna.com.ec

Estonia

Husqvarna Eesti OÜ
 Valdeku 132
 EE-11216 Tallinn
 info@gardena.ee

Finland

Oy Husqvarna Ab
 Gardena Division
 Lautatarhankatu 8 B / PL 3
 00581 HELSINKI
 www.gardena.fi

France

Husqvarna France
 9/11 Allée des pierres mayettes
 92635 Gennevilliers Cedex
 France
 http://www.gardena.com/fr
 N° AZUR: 0 810 00 78 23
 (Prix d'un appel local)

Georgia

Transporter LLC
 8/57 Bellashvili street
 0159 Tbilisi, Georgia
 Phone: (+995) 322 14 71 71

Great Britain

Husqvarna UK Ltd
 Preston Road
 Aycliffe Industrial Park
 Newton Aycliffe
 County Durham
 DL5 6UP
 info.gardena@
 husqvarna.co.uk

Greece

Π. ΠΑΠΑΔΟΠΟΥΛΟΣ ΑΕΒΕ
 Λεωφ. Αθηνών 92
 Αθήνα
 Τ.Κ. 104 42
 Ελλάδα
 Τηλ. (+30) 210 51 93 100
 info@papadopoulous.com.gr

Hungary

Husqvarna Magyarországi Kft.
 Ezred u. 1-3
 1044 Budapest
 Telefon: (+36) 1 251-4161
 vezoszolgalat.husqvarna@
 husqvarna.hu

Iceland

O. Johnson & Kaaber
 Tunguhalts 1
 110 Reykjavik
 oo@ojk.is

India

Husqvarna UK Ltd
 Preston Road
 Aycliffe Industrial Park
 Newton Aycliffe
 County Durham
 DL5 6UP
 info.gardena@
 husqvarna.co.uk

Italy

Husqvarna Italia S.p.A.
 Via Santa Vecchia 15
 23868 VALMADRERA (LC)
 Phone: (+39) 0341.203.111
 assistenza.italia@
 it.husqvarna.com

Japan

KAKUICHI Co. Ltd.
 Sumitomo Realty &
 Development Kojimachi
 BLDG., 8F
 5-1 Nibanencho
 Chiyoda-ku
 Tokyo 102-0084
 Phone: (+81) 33 264 4721
 m_ishihara@kaku-ichi.co.jp

Kazakhstan

LAMED Ltd.
 155/1, Tazhibayevoi Str.
 050060 Almaty
 Ir Schmidt
 Abayavenue 3B
 110 005 Kostanay

Korea

Kyung Jin Trading Co., LTD.
 108-4, SunDuk Bld.,
 YangJae-dong,
 Seocho-gu,
 Seoul, (zipcode: 137-891)
 Phone: (+82) (0)2 574-6300

Kyrgyzstan

Alye Maki
 av. Molodaya Guardir J 3
 720014
 Bishkek
 Husqvarna Latvija SIA
 Ulbrokas 19A
 LV-1021 Riga
 info@gardena.lv

Lithuania

UAB Husqvarna Lietuva
 Ateities pl. 77C
 LT-52104 Kaunas
 info@gardena.lt

Luxembourg

Magasins Jules Neuberg
 39, rue Jacques Stas
 Luxembourg-Gasperich 2549
 Case Postale No. 12
 Luxembourg 2010
 Phone: (+352) 40 14 01 01
 ap@neuberg.lu

Mexico

AFOSA
 Av. Lopez Mateos Sur # 5019
 Col. La Calma 45070
 Zapopan, Jalisco
 Mexico
 Phone: (+52) 33 3818-3434
 icornejo@afosa.com.mx

Moldova

Convel S.R.L.
 290A Munciei Str.
 2002 Chisinau

Netherlands

Husqvarna Nederland B.V.
GARDENA Division
 Postbus 50131
 1305 AC ALMERE
 Phone: (+31) 36 521 00 10
 info@gardena.nl

Neth. Antilles

Jonka Enterprises N.V.
 St. Rosa Weg 196
 P.O. Box 8200
 Curaçao
 Phone: (+599) 9 767 66 55
 pgm@jonka.com

New Zealand

Husqvarna New Zealand Ltd.
 PO Box 76-437
 Manukau City 2241
 Phone: (+64) (0) 9 9202410
 support.nz@husqvarna.co.nz

Norway

Husqvarna Norge AS
 Gardena Division
 Trøskneveien 36
 1708 Sarpsborg
 info@gardena.no

Peru

Husqvarna Perú S.A.
 Jr. Ramón Cárcamo 710
 Lima 1
 Tel.: (+51) 1 3320 400 ext. 416
 juan.remuzgo@
 husqvarna.com

Poland

Husqvarna
 Poland Spółka z o.o.
 ul. Wyszockiego 15 b
 03-371 Warszawa
 Phone: (+48) 22 330 96 00
 gardena@husqvarna.com.pl

Portugal

Husqvarna Portugal, SA
 Lagoa – Albarraque
 2635 – 595 Rio de Mouro
 Lda.
 Tel.: (+351) 21 922 85 30
 Fax: (+351) 21 922 85 36
 info@gardena.pt

Romania

Madex International Srl
 Soseaua Odail 117-123,
 RO 013603 Bucuresti, S 1
 Phone: (+40) 21 352.76.03
 madex@mes.ro

Russia / Россия

ООО „Хускварна“
 114100, Московская обл.,
 г. Химки,
 улица Ленинградская,
 владение 39, стр.6
 Бизнес Центр
 „Химки Бизнес Парк“,
 помещение ОВ02_04
 http://www.gardena.ru

Serbia

Domel d.o.o.
 Autoput za Novi Sad bb
 11279 Belgrade
 Phone: (+381) 11 848 88 12
 miroslav.jejina@domel.rs

Singapore

Hy-Ray PRIVATE LIMITED
 40 Jalan Pemimpin
 #02-08 Tat Ann Building
 Singapore 577185
 Phone: (+65) 6253 2277
 shiying@hyray.com.sg

Slovak Republic

Husqvarna Česko s.r.o.
 Türkova 2319/5b
 149 00 Praha 4 – Chodov
 Bezpłatná infolinka:
 800 154 044
 servis@sk.husqvarna.com

Slovenia

Husqvarna Austria GmbH
 Industriezeile 36
 4010 Linz
 Tel.: (+43) 732 77 01 01-485
 service.gardena@
 husqvarnagroup.com

South Africa

Husqvarna
 South Africa (Pty) Ltd
 Postnet Suite 250
 Private Bag X6,
 Cascades, 3202
 South Africa
 Phone: (+27) 33 846 9700
 info@gardena.co.za

Spain

Husqvarna España S.A.
 Calle de Rivas nº10
 28052 Madrid
 Phone: (+34) 91 708 05 00
 atencioncliente@gardena.es

Suriname

Agrofix n.v.
 Verlengde Hogestraat # 22
 Phone: (+597) 472426
 agrofix@sr.net
 Pobox: 2006
 Paramaribo
 Suriname – South America

Sweden

Husqvarna AB
 Gardena Division
 S-561 82 Huskvarna
 gardenaorder@husqvarna.se

Switzerland / Schweiz

Husqvarna Schweiz AG
 Consumer Products
 Industriestrasse 10
 5506 Mägenwil
 Phone: (+41) (0) 62 887 37 90
 info@gardena.ch

Turkey

Dost Bağçe Diş Ticaret
 Müessesli A.Ş.
 Yunus Mah. Adil Sok. No:3
 İK Kapı No: 1 Kartal
 34873 İstanbul
 Phone: (+90) 216 38 93 939
 info@dostabhce.com.tr

Ukraine / Україна

ТОВ „Хускварна Україна“
 вул. Васильківська, 34,
 офіс 204-р
 03022, м. Київ
 Тел. (+38) 044 998 30 02
 info@gardena.ua

Uruguay

FELI SA
 Entre Rios 1083 CP 11800
 Montevideo – Uruguay
 Tel: (+598) 22 03 18 44
 info@felisa.com.uy

Venezuela

Corporación Casa y Jardín C.A.
 Av. Caroni, Edif. Trezmen, PB.
 Colinas de Bello Monte.
 1050 Caracas.
 Tlf: (+58) 212 992 33 22
 info@casayjardin.net.ve

19095-20.960.03/0618
 © GARDENA
 Manufacturing GmbH
 D-89070 Ulm
 http://www.gardena.com