

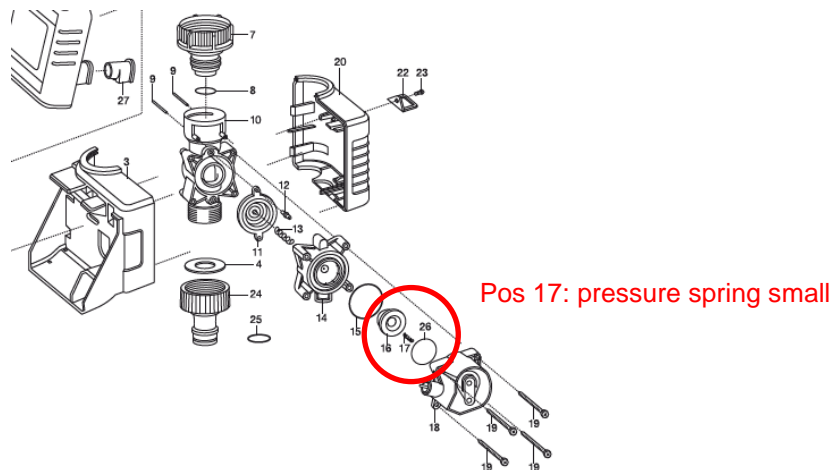


SB: Water Computers

Article : 1834, 1862, 1864, 1881, 1882, 1883, 1885, 1874, 19031

Reason: With low water pressure it can sometimes happen that the valve doesn't close completely and it's slightly dripping out of the outlet.

Solution: The small pressure spring (Pos 17) was modified to intensify the force on the magnetic plate. The index of the valve was increased to "S"



New spare part: 1174-00.610.12 pressure spring small