

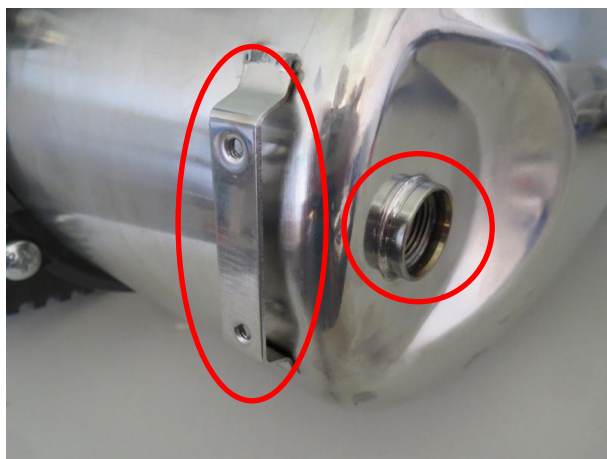
**SB: Automatic Pressure Pump 6000/6E LCD inox and  
Garden Pump 6000/6 inox**

**Article : 1760 and 1736**



**Reason: Modification on the inox pump cap to improve the tightness .  
These modifications are implemented since index 1503C  
( March 2015) and are not backward compatible ! :**

1. The new inox pump cap has a welded on holder for fixing of the new front buffer support and it has now a thread for the draining screw.



new: buffer fixing and thread



old : without buffer holder and  
thread

2. The new filter housing has 3 screws for fixing to the new retainer

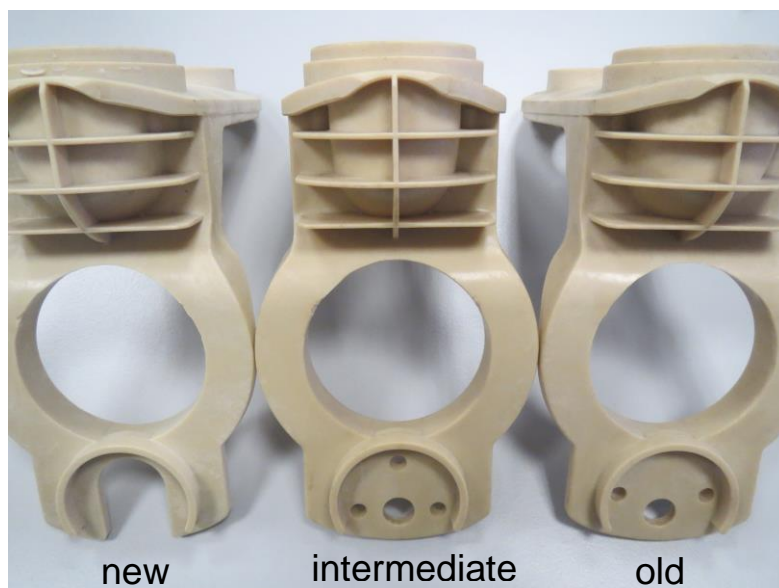


new filter housing  
with 3 screws



old filter housing  
with 2 screws

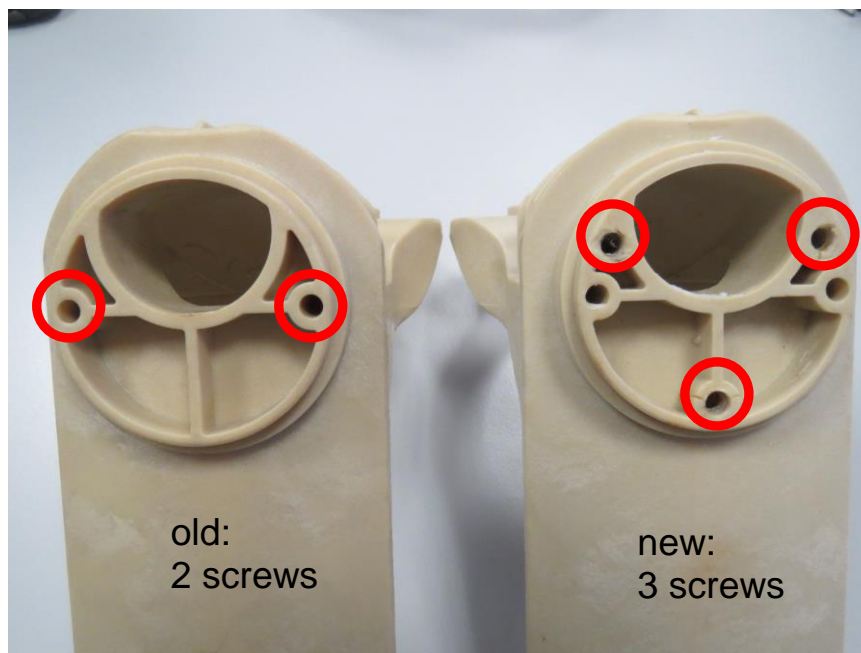
3. The new retainer has no more holes for screws because it's fixed to the front buffer holder by a pressing ring.



Remark:

There is a small range of pumps with an intermediate solution of 3 screws for fixing the buffer hold. For these pumps only the pump body cpl. (1760-00.900.20) is available.

The fixing of the retainer to the filter housing is improved with a third screw :



**Recommendation:**

We recommend to exchange every leaking old pump body into the new one !

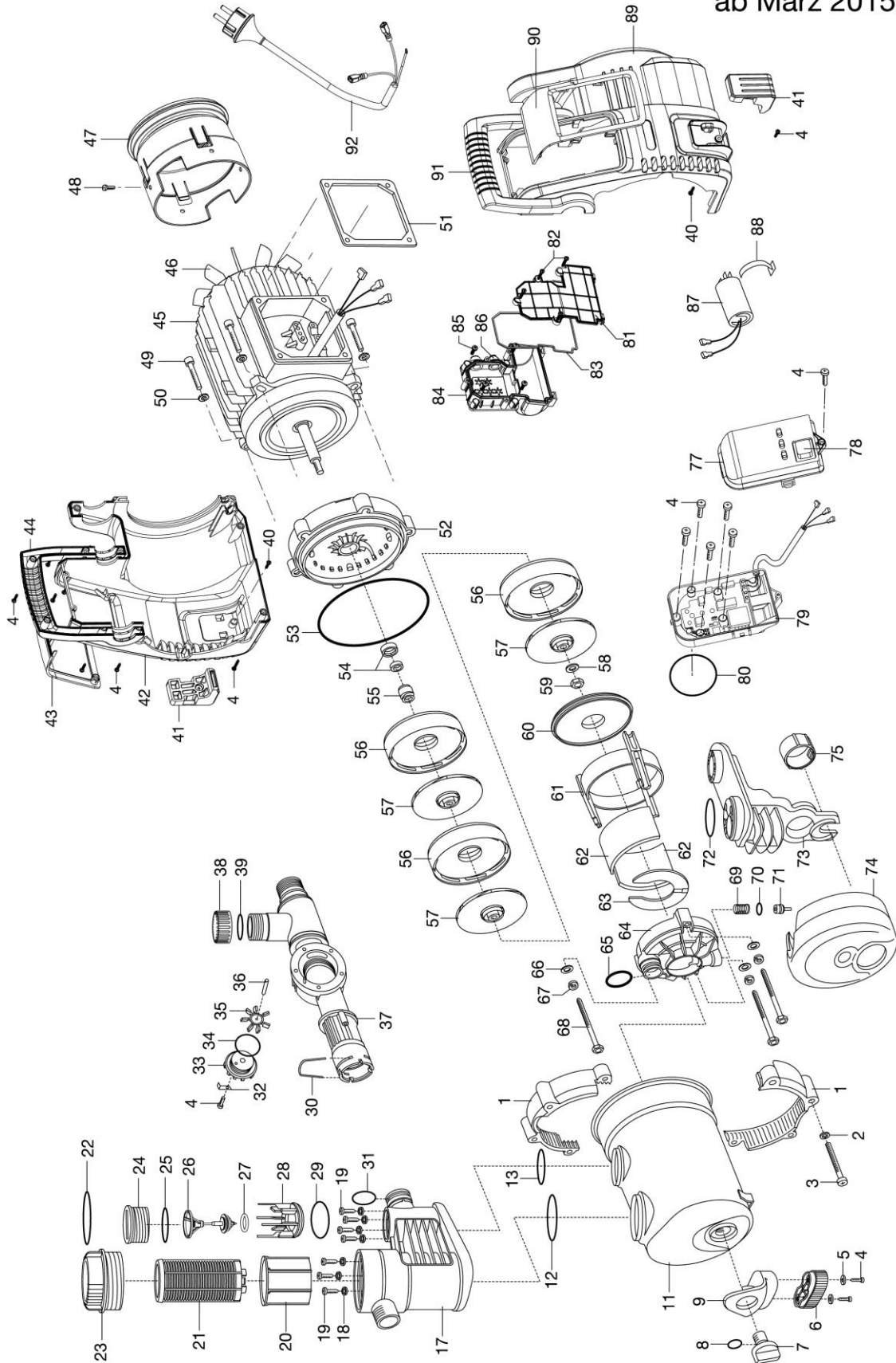
**New spare parts 1760:**

- (pos 4 ) screw M4x14 1760-00.900.01
- (pos 5) washer 1758-00.900.01
- (pos 6) buffer, front 1757-00.900.30
- (pos 9) buffer support: 1760-00.900.02
- (pos 11) pump cap inox 1760- 00.900.04
- (pos 28) valve seating 1760-00.900.08
- (pos 29) o-ring 32,2x2,65 1760-00.900.22
- (pos 73) retainer 1760-00.900.23
- (pos 75) pressing ring 1760-00.900.24
- (pos 4-19,31, 72-75) pump body cpl. 1760-00.900.20

**New spare parts 1736:**

- (pos 4,23,27,72 ) screw M4x14 1760-00.900.01
- (pos 5) washer 1758-00.900.01
- (pos 6) buffer, front 1757-00.900.30
- (pos 9) Buffer support: 1760-00.900.02
- (pos 11) Pump cap inox 1760- 00.900.04
- (pos 14) filter case 1760-00.900.21
- (pos 67) retainer 1760-00.900.23
- (pos 68) pressing ring 1760-00.900.24
- (pos 74) switch cover assy. cpl. 1736-00.90.34
- (pos 4-15, 65-68) pump body cpl. 1760-00.900.20

**GARDENA Hauswasserautomat 6000/6E LCD**

 Art.-Nr. 1760  
 ab März 2015


**GARDENA Premium Gartenpumpe 6000/6 Inox**

 Art.-Nr.1736  
 ab März 2015
