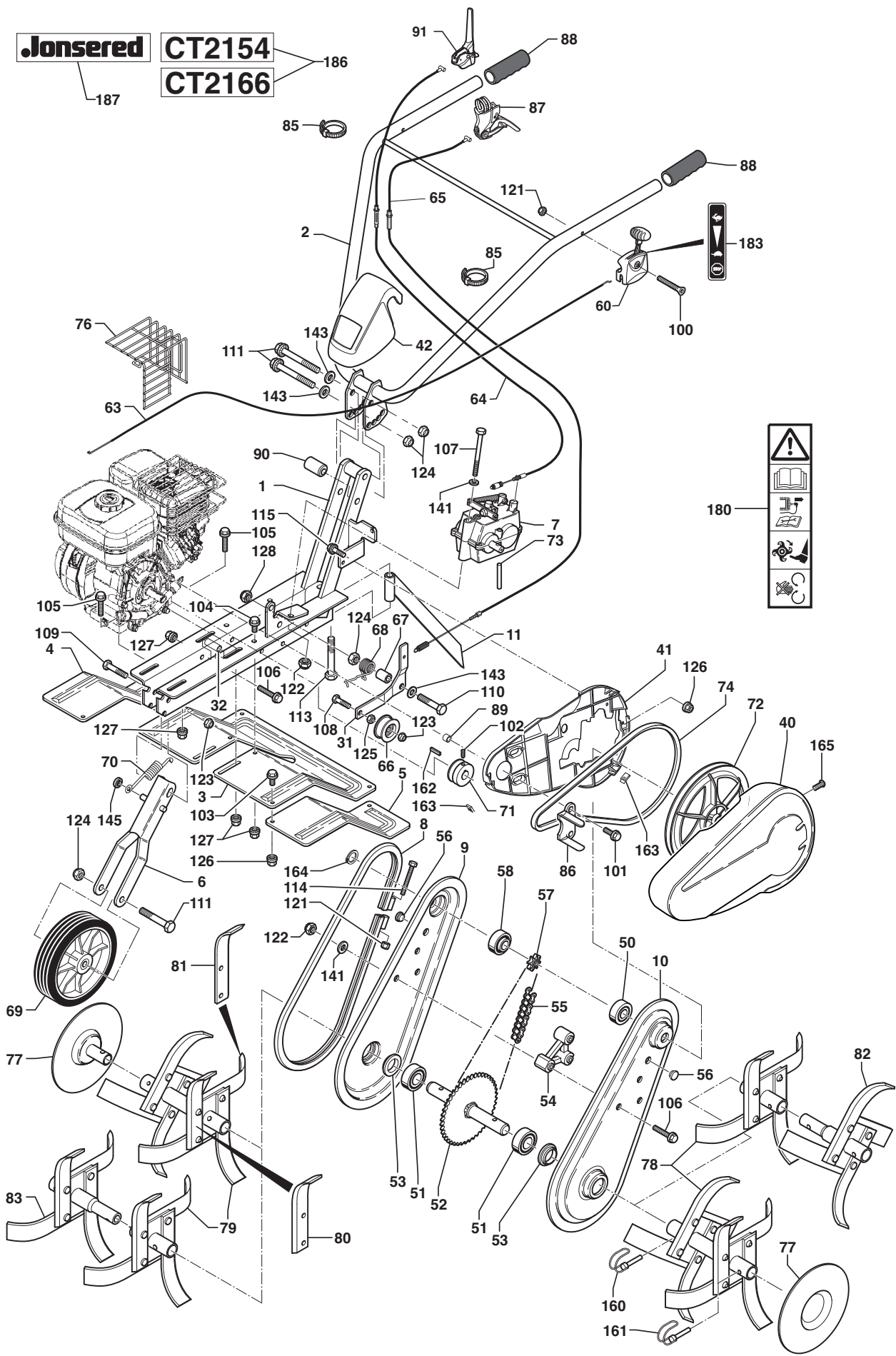


CT2154

CT2166

Spare parts
Pièces détachées

PARTS LIST NO. 0501010029c		Jonsered PARTS LIST	MODEL(S) CT2154 - CT2166
DATE 01/2012	Replaces		APGE NO. 2
Note:			



PARTS LIST NO.		0501010029c		Jonsered PARTS LIST		MODEL(S)	CT2154 - CT2166
DATE	01/2012	Replaces		Note:		APGE NO.	5

Rep N°	Réf./Ref.			Désignation	Description	Qté / Qty
	544 19 92-01	3001000012	57721500	Carter complet à jonc (Rouge)	Complete casing, flanged (Red)	
1	501 00 57-01	3002070301		Châssis (Noir)	Chassis (Black)	1
2	501 00 56-01	3002070302		Guidon (Noir)	Handlebars (Black)	1
3	544 19 20-01	3002000315		Tôle protection centrale (Noir)	Protective cover (Black)	
4	544 19 21-01	3002000316		Extension droite (Noir)	R.H.S guard extension (Black)	1
5	544 19 34-01	3002000317		Extension gauche (Noir)	L.H.S guard extension (Black)	1
6	519 65 34-60	3002000308	12601005	Supp. roue transport (Noir)	Front wheel bracket (Black)	1
7	519 65 30-92	0306040001	57720996	Réducteur M. ar. mécanique	Reversing gearbox	1
8	544 19 22-01	3002001306	12711033	Jonc (Rouge)	Flange (Red)	1
9	519 65 30-41	3002000312	11301130	Joue carter eco droite	Transmission housing, RHS	1
10	519 65 30-42	3002000313	11301131	Joue carter eco gauche	Transmission housing, LHS	1
11	531 00 82-06	3002000302	12611011	Éperon	Key	1
31	519 65 34-07	3002000104	11701140	Levier embrayage	Clutch lever	1
32	519 65 34-24	0302020015	11301145	Entretoise châssis	Spacer	1
40	544 19 23-01	0340010008	14251	Capot courroie (Rouge 3001)	Belt cowl (Red 3001)	1
41	531 00 82-08	0340010089		Cache intérieur EVO	Inner stile belt cover	1
42	501 00 55-01	0340010032		capot guidon	Plastic cover for handlebar	1
50	519 00 26-31	0306010024		Roulement	Ball-race	1
51	519 65 30-53	0306010020	12542	Roulement	Ball-race	2
52	519 65 30-07	0306050010	15038	Arbre de travail	Blade shaft	1
53	531 00 85-76	0341000027	46098	joint de carter	Joint	2
54	519 65 30-06	0341000001	14088	Entretoise plastique	Spacer	1
55	519 65 30-09	0306020005	13292	Chaîne	Chain	1
56	519 65 33-91	0341000014	12793	Bouchon	Grease cap	2
57	519 65 30-57	0306050016	13372	Pignon 8 dts	Cogwheel	1
58	531 00 85-46	0306010016	12551	Roulement épaulé	Shouldered ball-race	1
60	577 45 30-01	0307020023		Manette gaz	Accelerator lever	1
63	580 31 79-01	0308040055		Cable gaz (EP16/EP17)	Throttle cable (EP16/EP17)	1
64	580 31 75-01	0308010014		Cable inversion vitesse	Reverse gear cable	1
65	577 54 74-01	0308020055		Cable embrayage lg 935,5 - cf 285,5	Clutch cable lg 935,5 - cf 285,5	1
66	519 65 34-57	0341000003	12162	Galet embrayage	Runner	1
67	519 65 34-51	0302020019	16034	Entretoise levier embrayage	Spacer	1
68	519 65 30-90	0305020005	65133	Ressort embrayage	Spring	1
69	519 65 30-00	0309000013	14090	Roue avant	Front wheel	1
70	519 65 02-60	0305010002	65026	Ressort roue transport	Spring	1
71	519 65 30-68	0306060005	15415	Poulie moteur Mav-Marr	Motor pulley Forward/Reverse gear	1
72	519 65 30-60	0341000007	14135	Poulie transmission	Transmission pulley	1
73	519 65 30-67	0302010021	15098	Axe fixation poulie	Pulley shaft	1
74	519 65 30-58	0306030002	13567	Courroie Marr	Forward drive belt	1
76	531 00 85-82	0330032001	19020	Grille échappement (Robin EX13 / EX17)	Exhaust grill (Robin EX13 / EX17)	1
77	519 65 33-62	0320010001	55102	Disque	Disk	2
78	519 65 30-28	0320010022	55201	Étoile départ double 40x4 G	Twin rotating blades 40x4 L	1
	531 00 82-11	0320010014	55098	Étoile départ simple 40x4 G	Simple rotating blades 40x4 L	
79	519 65 30-29	0320010021	55200	Étoile départ double 40x4 D	Twin rotating blades 40x4 R	1
	531 00 82-13	0320010013	55097	Étoile départ simple 40x4 D	Simple rotating blades 40x4 R	
80	519 65 34-47	0001000021	81907	Couteau gauche	Blade, LH	
81	519 65 34-48	0001000020	81906	Couteau droit	Blade, RH	
82	531 00 82-14	0320010016	55150	Étoile addit. dém. gauche	Additional blade assembly, LH	
83	531 00 82-15	0320010015	55103	Étoile addit. dém. droite	Additional blade assembly, RH	
85	519 65 32-32	0301060003	13249	Collier	Collar	2
86	531 00 85-77	0304000035	36189	Guide courroie	Drive-belt guide	1
87	577 54 78-01	0307010034		Levier d'embrayage LAKS C27	Clutch lever LAKS C27	1
88	519 00 01-13	0341000036	12126	Poignée PVC	Grip	2
89	531 00 82-16	0302020010	16037	Entretoise cache intérieur	Spacer	2
90	576 14 53-01	0302020005	16057	Entretoise 25x12,5x39,5	Spacer 25x12,5x39,5	1
91	580 31 72-01	0307010039		Levier LASC C25	Lever LASC C25	1
100	577 45 38-01	0300080610		Vis TRCC M6x45 Z	Screw TRCC M6x45 Z	
101	519 65 34-12	0300060503	11116	Vis 5/16 TH24 UNF lg 25 emb. crantée	Screw 5/16 TH24 UNF lg 25, notched shoulder	
102	519 65 30-20	0300040801	11085	Vis St Hc M8x16 N	Screw St Hc M8x16 N	
103	519 65 34-35	0300010609	11250	Vis H M6x16 Z embase crantée	Screw H M6x16 Z, notched shoulder	
104	531 00 82-02	0300010815	11260	Vis H M8x16 Z embase crantée	Screw H M8x16 Z, notched shoulder	
105	519 65 34-13	0300010817	11265	Vis H M8x40 Z embase crantée	Screw H M8x40 Z, notched shoulder	
106	519 65 34-63	0300010820	11267	Vis H M8x50 Z embase crantée	Screw H M8x50 Z, notched shoulder	
107	519 65 30-45	0300010804	10794	Vis H M8x110 Z	Screw H M8x110 Z	
108	519 65 34-55	0300011003	10810	Vis H M10x35 Z	Screw H M10x35 Z	
109	519 65 30-46	0300011007	10834	Vis H M10x55 Z	Screw H M10x55 Z	
110	519 65 34-54	0300011207	10859	Vis H M12x60 Z	Screw H M12x60 Z	
111	519 65 31-31	0300011206	10863	Vis H M12x80 Z	Screw H M12x80 Z	
113	531 00 82-20	0300011401	10899	Vis H M14x90 Z	Screw H M14x90 Z	
114	519 65 30-10	0300020605	11061	Vis CHc M6x50	Screw CHc M6x50	
115	531 00 82-53	0300010610	11251	Vis H M6x20 Z embase crantée	Screw H M6x20 Z, notched shoulder	

PARTS LIST NO.		Jonsered PARTS LIST		MODEL(S)
0501010029c				CT2154 - CT2166
DATE	Replaces	Note:		APGE NO.
01/2012				6

Rep N°	Réf./Ref.		Désignation	Description	Qté / Qty
121	732 26 16-01	0300210602	11482	Écrou frein M6 Z	Blocking nut M6 Z
122	519 00 62-00	0300210802	11484	Écrou frein M8 Z	Blocking nut M8 Z
123	519 65 34-58	0300211001	11485	Écrou frein M10 Z	Blocking nut M10 Z
124	725 25 50-51	0300211201	11486	Écrou frein M12 Z	Blocking nut M12 Z
125	519 65 34-56	0300201002	11429	Écrou H M10 Z	Nut H M10 Z
126	519 65 34-32	0300260601	11518	Écrou H M6 Z embase crantée	Nut H M6 Z, notched shoulder
127	519 65 34-30	0300260801	11519	Écrou H M8 Z embase crantée	Nut H M8 Z, notched shoulder
128	531 00 82-21	0300251202	11521	Écrou H M12 Z embase crantée	Nut H M12 Z, notched shoulder
141	519 65 34-50	0300400802	11616	Rondelle 8 Z	Washer 8 Z
143	519 65 34-53	0300401201	11635	Rondelle 12x27x2,5	Washer 12x27x2,5 Z
145	519 65 34-62	0300461001	11818	Rondelle starlock 10	Starlock washer 10
160	531 00 94-10	0301010011	55078	Goupille clips Ø10	Clip pin, 10mm diameter
161	531 00 94-11	0301010010	55079	Goupille clips Ø8	Clip pin, 8mm diameter
162	519 65 30-21	0301040001	12979	Clavette	Key
163	519 65 34-25	0301050001	11495	Clips 4,2	Spire nuts 4,2
164	519 65 34-66	0301070001	12855	Circlips	Circlips
165	519 65 34-26	0300080405	11135	Vis Tôle 4,2	Cover bolt 4,2
180	531 00 85-40	0503000036	21240	Étiq. "sécurité"	Safety label
183	519 64 66-80	0503000045	64668	Étiquette de gaz	Label: Accelerator lever
186	544 19 24-01	0503010291		Étiq.: CT2154	Label: CT2154
	577 59 11-01	050342001		Étiq.: CT2166	Label: CT2166
187	544 19 25-01	0503010290		Étiq.: jonsered	Label: jonsered