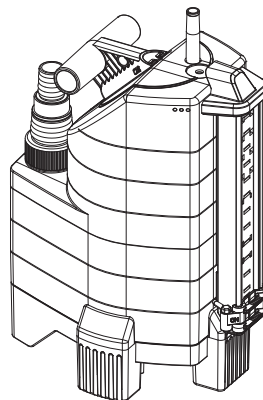


9000
aquesensor
Art. 1783

13000
aquesensor
Art. 1785



8500
aquesensor
Art. 1797

13000
aquesensor
Art. 1799

D	Betriebsanleitung Tauchpumpe / Schmutzwasserpumpe
GB	Operating Instructions Submersible Pump / Dirty Water Pump
F	Mode d'emploi Pompe d'évacuation pour eaux claires / Pompe d'évacuation pour eaux chargées
NL	Instructies voor gebruik Dompelpomp / Vuilwaterpomp
S	Bruksanvisning Dränkbar pump / Spillvattenpump
DK	Bruksanvisning Dykpumpe / Dykpumpe til urent vand
FIN	Käyttöohje Uppopumppu / likavesipumppu
N	Bruksanvisning Lensepumpe / Lensepumpe for urent vann
I	Istruzioni per l'uso Pompa sommersa / Pompa sommersa per acqua sporca
E	Manual de instrucciones Bomba sumergible / Bomba para aguas sucias
P	Instruções de utilização Bomba submersível / Bomba para águas sujas
PL	Instrukcja obsługi Pompa zanurzeniowa / Pompa do brudnej wody
H	Használati utasítás Merülőszivattyú / Szennyvízszivattyú
CZ	Návod k použití Ponorné čerpadlo / kalové čerpadlo

SK	Návod na použitie Ponorné čerpadlo / kalové čerpadlo
GR	Οδηγίες χρήσεως Βυθιζόμενη αντλία / Αντλία Ακαθάρτων
RUS	Инструкция по эксплуатации Погружной насос / Насос для сточных вод
SLO	Navodilo za uporabo Potopna črpalka / črpalka za umazano vodo
HR	Upute za uporabu Potopna crpka / crpka za otpadnu vodu
SRB	Uputstvo za rad
BIH	Potopna pumpa / Pumpa za prljavu vodu
UA	Інструкція з експлуатації Заглибний насос / насос для брудної води
RO	Instrucțiuni de utilizare Pompa submersibilă / Pompă de apă murdară
TR	Kullanma Kilavuzu Dalgiç Pompa / Kirli Su Pompası
BG	Инструкция за експлоатация Потопяема дренажна помпа / Помпа за мръсна вода
AL	Manual përdorimi Pompë zhytëse / Pompë për ujë të pisët
EST	Kasutusjuhend Uputatav pump / Reoveepump
LT	Eksploatavimo instrukcija Panardinamas siurblys / Purvino vandens siurblys
LV	Lietošanas instrukcija Iegremdējamais sūkņis / Netīrā ūdens sūkņis

GARDENA

Submersible Pump 9000 / 13000 aquasensor / Dirty Water Pump 8500 / 13000 aquasensor



Translation of the original instructions from German.

Please read these operating instructions carefully and observe the notes given. Use the instructions to familiarise yourself with the pump, its correct use, and the notes on safety.



For safety reasons, children under 16 as well as persons not familiar with these operating instructions should not use this pump. Persons with reduced physical or mental abilities may use the hedge trimmer only if they are supervised or instructed by a responsible person.

→ Keep these operating instructions in a safe place.

Contents

1. Applications Range of Your GARDENA Pump	11
2. Safety Instructions	12
3. Initial Operation	13
4. Operation	14
5. Putting into Storage	15
6. Maintenance	16
7. Troubleshooting	16
8. Technical Data	17
9. Service / Warranty	18

1. Applications Range of Your GARDENA Pump

Intended use

GARDENA Pumps have been designed for private use around your house and garden. They are predominantly destined for drainage after flooding, transfer of liquids, draining containers, taking water from wells and shafts, draining boats and yachts as well as for water aeration and circulation for a limited period of time.

Liquids to be pumped

Liquids which can be handled by the GARDENA Pump are the following: clean and contaminated water (max. particle size submersible pumps = 5 mm / dirty water pumps = 30 mm) and swimming pool water (prerequisite is the recommended dosage of additives). Dirty water with solid particles such as sand or stones leads to wear of the turbine and of the pump base.

The pumps are fully submersible (waterproof sealed) and can be immersed in the liquid down to a depth of 7 m.

Please note



The GARDENA Pumps are not designed for continuous operation (e.g. continuous circulating operation) in a pond. Your pump's life will be shortened correspondingly by such operation.

Corrosive, easily combustible or explosive substances (e.g. gasoline, petroleum, nitro thinner), fats, oils, salt-water and waste water of toilets and urinals must not be pumped. The temperature of the liquid handled should not exceed 35°C.

2. Safety Instructions

Electrical Safety

According to DIN VDE (German Electrical Engineers' Association) 0100, submersible pumps and dirty water pumps may only be used in swimming pools, garden ponds, and fountains if the pump is operated via a residual-current device with a residual-current rating of ≤ 30 mA.

The pump must not be operated when there are persons in the swimming pool or garden pond.

For safety reasons we recommend that you always operate the pump via a residual-current device (DIN VDE 0100-702 and 0100-738).

→ Please contact your electrician.

According to DIN VDE (German Electrical Engineers' Association) 0620, mains power cables must not have a smaller cross-section than the rubber-sheathed cables of the designation H05 RNF (for Art. Nos. 1783 / 1797) or H07 RNF (for Art. Nos. 1785 / 1799).

The cable length must be at least 10 m.

Data indicated on the type plate must match technical data of the mains supply.

→ Take care that the electrical connections are made within dry area, protected from flooding.

→ Keep mains plug dry.

Protect plug and power cable from heat, oil and sharp edges.



DANGER! Electric shock!

With a cut off mains plug, moisture can get into electrical parts via the mains cable and cause a short circuit.

→ **Never cut the mains plug off (e.g. to feed through wall).**

→ Don't use the power cable for plugging off.

The power cable or the float switch must not be used for mounting or relocating the pump. For submerging or lifting/securing the pump, fix a rope to the pump's carrying handle.

Extension cables must meet the requirements of DIN VDE 0620.

In Austria

In Austria, according to ÖVE B/EN 60 555 part 1 to 3, pumps which are used in swimming pools and garden ponds, and equipped with firm power cable should be fed via an ÖVE approved isolating transformer – rated voltage must not exceed 230 V.

In Switzerland

In Switzerland mobile appliances which are used outdoors, must be connected via a residual-current device.

Visual check

- Before operating the pump, first make a visual check, if there is any damage of the pump (esp. regarding power cable and plug).
- Observe the minimum water level and the max. delivery height (see 8. Technical Data).



DANGER! Electric shock!

A damaged pump must not be used.

- In case of damage, please have the pump checked by our GARDENA Service Centre.

Manual operation

During manual operation, the pump must be switched off as soon as all the liquid has been pumped away.

- Observe the pump at all times during manual operation.

Notes on use

Dry-running operation causes increased wear and is to be avoided. Therefore, in manual operation the pump must be immediately unplugged when water fails to flow.

Avoid running of the pump for more than 10 min. against closed delivery side of the pump.

Sand and other abrasive substances cause increased wear and reduce the pump's output.

Take care that the pump is located where the inlet openings at the suction base are obstructed neither completely nor partly.

Stand the pump on a brick if using in a pond.

Instructions for submersible pumps

When you purchase your pump the swivel feet are set to the **flat suction position** (1 mm).

→ For normal operation, turn the feet 180° to 5 mm.

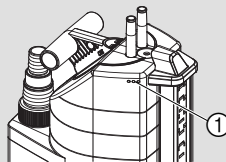
The pump is lifted 5 mm.

→ Clear the outlet line before use.

Thermal protection switch

The pump is automatically switched off on overheating by the built-in thermal motor protector. After having cooled down, the motor automatically switches on again (see 7. Troubleshooting).

Automatic deaerating valve



The automatic deaerating valve eliminates any air pockets in the pump.

If the pump is half submersed, water may come out of the ventilation holes ①.

This is not a defect of your pump, but serves to deaerate the pump.

3. Initial Operation

Hose diameter	13 mm (1/2") 16 mm (5/8") 19 mm (3/4")	25 mm (1")	38 mm (1 1/2")
Hose connection of universal fitting ②			

Hose connection

Cut off topmost nipple at ①.

Do not cut off any nipples.

Cut off top two nipples at ②.

The following connection kits are required for 13 mm to 19 mm connections:

13 mm (1/2"): GARDENA Pump Connection Set, Art. No. 1750

16 mm (5/8"): GARDENA Tap Connector, Art. No. (2)902, **and** GARDENA Standard Hose Connector, Art. No. (2)916

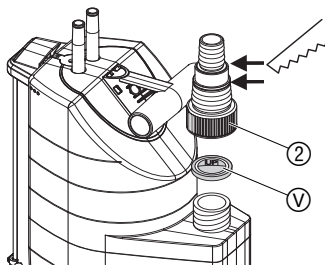
19 mm (3/4"): GARDENA Pump Connection Set, Art. No. 1752

Best results in delivery capacity are achieved when using 38 mm (1 1/2") hoses.

Connecting the hose:

The universal fitting ② allows you to connect all the hoses listed in the previous table.

1. Cut off nipples of the universal fitting ②, which are not needed, to match the hose connection.



2. **Only for the submersible pumps Art. No. 1783/1785:** Insert the non-return valve (V) supplied into the universal connector (2) with the word UP pointing upwards.
3. Screw the universal fitting (2) onto the pump.
4. Connect the hose to the universal fitting (2).

We recommend 38 mm (1 1/2") 25 mm (1") hoses, in addition to be fixed with a **GARDENA Hose Clamps Art. No. 7192** (for 25 mm) and **Art. No. 7193** (for 38 mm).

Only for the submersible pumps Art. No. 1783/1785:

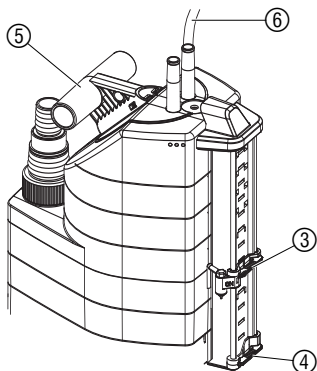
For flat suction we recommend using a 13 mm (1/2") or 16 mm (5/8") hose. The non-return valve (V) prevents the water flowing back through the hose. The max. delivery height will only be achieved without the non-return valve.

Only for 13 mm (1/2") hose:

The universal fitting (2) can also be equipped with a **GARDENA Regulator Valve Art. No. 977** so that the contents of the outlet line do not flow back through the pump after pumping. The Regulator Valve can be ordered from your GARDENA dealer.

4. Operation

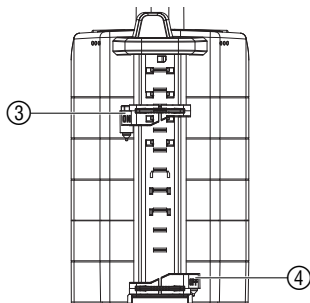
Automatic operation:



If the water level reaches the **ON** sensor (3), the pump automatically switches on. **Depending on water volume and environment, it can take 1 to 3 minutes until pumping out commences.** As soon as the water level falls below the **OFF** sensor (4), the pump is automatically switched off (the pump continues to run for approx. 10 seconds).

1. Stand the pump on a firm surface
– or –
use a rope attached through the bore hole in the carrying handle (5) to immerse the pump in a well or shaft.
2. Plug the power cable (6) into a mains socket.

Adjust switch-on and switch-off height:



The switch-on and switch-off height (see 8. Technical Data) can be adjusted for automatic mode. The relevant sensor pin defines the height of the water level.

Set switch-on height ON:

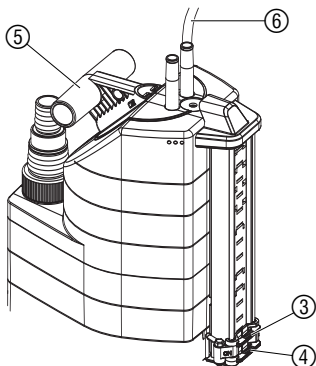
- Push **ON** sensor (3) to the required switch-on height.
Switch-on height of the pump in automatic mode.

Set switch-off height OFF:

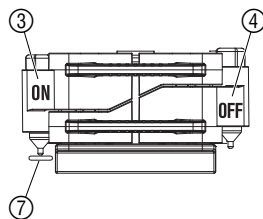
- Push **OFF** sensor (4) to the required switch-off height.
Switch-off height of the pump in automatic mode.

Manual operation:

The pump remains in operation continuously. The **ON** sensor ③ is locked in manual position and bridged via the contact ⑦.

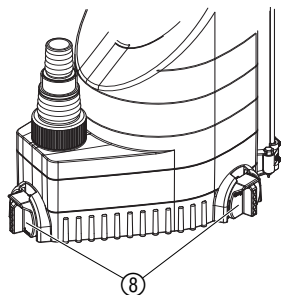


1. Push **OFF** sensor ④ and **ON** sensor ③ right down so that the **ON** sensor ③ touches the contact ⑦.
2. Stand the pump on a firm surface – or – use a rope attached through the bore hole in the carrying handle ⑤ to immerse the pump in a well or shaft.

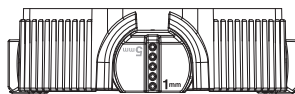


3. Plug the power cable ⑥ into a mains socket.

**Only for the submersible pumps:
Flat suction /
Normal operation**

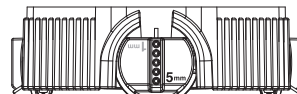


Flat suction:



→ Turn the 3 swivel feet ⑧ 180° to 1 mm.

Normal operation:



→ Turn the 3 swivel feet ⑧ 180° to 5 mm.

The residual water level of approx. 1 mm is only reached during flat suction in the manual operation mode.

5. Putting into Storage

Frost-free storage:



→ Store the pump away from frost before the first frost sets in.

Disposal:

(in accordance with
RL2002/96/EC)



The product must not be added to normal household waste. It must be disposed of in line with local environmental regulations.
→ Important: Make sure that the unit is disposed of via your municipal recycling collection centre.

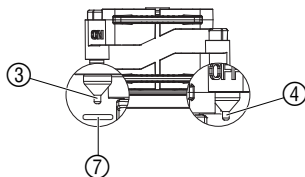
6. Maintenance

Flushing the Pump:

The pumps are virtually maintenance-free.

After having pumped chlorinated swimming pool water or other liquids leaving residues, the pump should be rinsed with clear water.

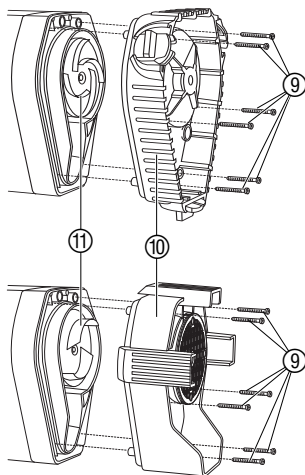
Clean sensors:



The sensors will only work reliably if they are cleaned regularly (at least every 2 months)!

→ Clean the sensors ③ / ④ and contact ⑦ regularly with a dry cloth (do not use hard or sharp objects).

Cleaning the suction base and impeller:



DANGER! Electric shock!

Risk of injury due to electric shock.

→ **Disconnect the pump from the mains before cleaning the suction base and impeller.**

1. Unscrew the 6 Phillips screws ⑨ and pull the suction base ⑩ off the pump.
2. Clean suction base ⑩ and impeller ⑪.
3. Reinstall the suction base ⑩ and screw in the Phillips screws ⑨.

For safety reasons a damaged impeller ⑪ can only be exchanged by the GARDENA Service Centre.

7. Troubleshooting

Problem	Probable cause	Remedy
Pump is running, but doesn't deliver	Air cannot escape.	→ Open pressure line. → Remove the non-return valve.
	Non-return valve inserted wrongly.	→ Insert the non-return valve with the word UP on top.
	Air locks in the suction base.	→ Wait for max. 60 seconds until the pump deaerates automatically over the vent valve. If necessary, switch off and start it again.
	Impeller clogged.	→ Disconnect plug and clean impeller (see 6. Maintenance).

Problem	Probable cause	Remedy
Pump is running, but doesn't deliver	When starting the pump, water height falls below the min. water level.	→ Submerge pump deeper.
The pump does not switch on or off. Pump switches off although the OFF sensor is in the water	Sensors ③ / ④ and contacts ⑦ are dirty.	→ Clean sensors (see 6. Maintenance).
Pump doesn't start or suddenly stops during operation	Thermal overload switch has switched the pump off due to overheating.	→ Disconnect plug and clean impeller (see 6. Maintenance). Observe max. media temperature of 35 °C.
	No power.	→ Check fuses and electric connections.
	Dirt particles are jammed in the suction base.	→ Disconnect plug and clean suction base (see 6. Maintenance).
Pump runs, but output suddenly decreases	Suction base is clogged.	→ Disconnect plug and clean suction base (see 6. Maintenance).



In the event of other faults please contact GARDENA Service.
Repairs should only be carried out by GARDENA service centres or dealers authorised by GARDENA.

8. Technical Data

Type	Submersible pumps aquasensor		Dirty water pumps aquasensor	
	9000 (Art. 1783)	13000 (Art. 1785)	8500 (Art. 1797)	13000 (Art. 1799)
Rated power	320 W	650 W	380 W	680 W
Max. delivery capacity	9,000 l/h	13,000 l/h	8,300 l/h	13,000 l/h
Max. pressure	0.7 bar	0.8 bar	0.6 bar	0.9 bar
Max. delivery height	7 m	8 m	6 m	9 m
Max. submersion depth	7 m	7 m	7 m	7 m
Residual water level	1 mm	1 mm	35 mm	35 mm
Contaminated water with particle size of max.	5 mm	5 mm	30 mm	30 mm
Power cable	10 m H05 RNF	10 m H07 RNF	10 m H05 RNF	10 m H07 RNF
Pump connection	universal (G 1 1/4" M) / universal nipple			
Min. water level for operation	5 mm	5 mm	45 mm	45 mm
Weight approx. (without cable)	3.8 kg	5.4 kg	4.0 kg	5.6 kg
Max. media temperature	35 °C	35 °C	35 °C	35 °C
Mains voltage / mains frequency	230 V / 50 Hz	230 V / 50 Hz	230 V / 50 Hz	230 V / 50 Hz

Type	9000	13000	8500	13000
Min./max. cut-in height	5 mm / 175 mm	5 mm / 210 mm	65 mm / 230 mm	70 mm / 265 mm
Min./max. cut-out height	3 mm / 170 mm	3 mm / 205 mm	40 mm / 225 mm	40 mm / 260 mm
Noise level L_{WA}¹⁾	48 dB(A)	55 dB(A)	55 dB(A)	55 dB(A)

1) Measuring method according to EN 60335-1

Cut-in / Cut-out height

The cut-in and cut-out height varies.

Only for the submersible pumps Art. No. 1783 / 1785:

The residual water height (flat suction down to approx. 1 mm) is only reached during manual operation with the swivel feet ③ turned to 1 mm (see 4. Operation).

9. Service / Warranty

GARDENA guarantees this product for 2 years (from date of purchase). This guarantee covers all serious defects of the unit that can be proved to be material or manufacturing faults. Under warranty we will either replace the unit or repair it free of charge if the following conditions apply:

- The unit must have been handled properly and in keeping with the requirements of the operating instructions.
- Neither the purchaser or a non-authorized third party have attempted to repair the unit.

The impeller is a wearing part and is not covered by the guarantee.

This manufacturer's guarantee does not affect the user's existing warranty claims against the dealer/seller.

If you have any problems with your submersible pump or dirty water pump, please contact our Service or return the defective unit together with a short description of the problem – in case of guarantee, with a copy of the receipt – postage paid to one of the GARDENA Service Centres listed on the back of this leaflet.

Kennlinie Tauchpumpe

Performance characteristics

Submersible Pump

Courbe de performance

Pompe d'évacuation pour eaux claires

Prestatiegrafiek Dompelpomp

Kapacitetskurva Dränkbar pump

Ydelses karakteristika Dykpumpe

Ominaiskäyrrä Upporumppu

Merkingslinje for Lensepumpe

Curva di rendimento per

Pompa sommersa

Curva característica de la

Bomba sumergible

Características de performance da

Bomba submersível

Charakterystyka Pompa zanurzeniowa

Teljesítménygörbe Merülőszivattyú

Charakteristika Ponomé čerpadlo

Charakteristika Ponomé čerpadlo

Χαρακτηριστική καμπύλη αντλίας

Характеристика Погружной насос

Karakteristika rotorņa črpalka

Dijagram rotorņa črpka

Karakteristična kriva rotorņa pumpa

Характеристика Заглибний насос

Graficul Pompa submersibilă

Karakter eğrisi Dalgıç Pompa

Характеристика Подоплыва

дренажна помпа

Grafiku u pompės zhytėse

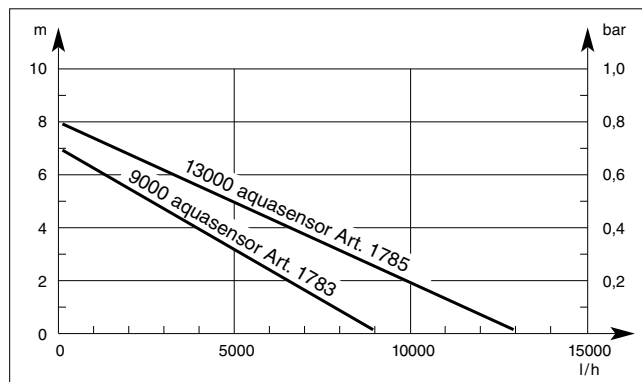
Uputatav pump karakteristik

Panardinamas siurblio charakteristinė

kreivė

legremdējaisis sūkņa raksturliķne

7000 Art. 1783 / 1785



Kennlinie Schmutzwasserpumpe

Performance characteristics

Dirty Water Pump

Courbe de performance Pompe

d'évacuation pour eaux chargées

Prestatiegrafiek Vuilwaterpomp

Kapacitetskurva Spillvattenpump

Ydelses karakteristika

Dykpumpe til urent vand

Ominaiskäyrrä Likavesipumpun

Merkingslinje for Lensepumpe for

urent vann

Curva di rendimento per

Pompa sommersa per acqua sporca

Curva característica de la

Bomba para aguas sucias

Características de performance da

Bomba para águas sujas

Charakterystyka Pompa do brudnej wody

Teljesítménygörbe Szennyvizszivattyú

Charakteristika Kalové čerpadlo

Charakteristika Kalové čerpadlo

Χαρακτηριστική καμπύλη αντλίας

Характеристика Насос для грязной воды

Karakteristika črpalka za umazano vodo

Dijagram črpka za otpadnu vodu

Karakteristična kriva pumpe za

prljavu vodu

Характеристика насос для брудної води

Graficul Pompă de apă murdară

Karakter eğrisi Kirli Su Pompası

Характеристика Помпа за мръсна вода

Grafiku u pompės pēr uļē tē pisēt

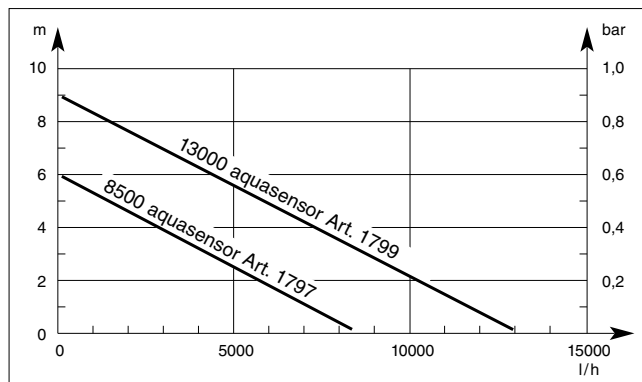
Reoveepumba karakteristikud

Purvino vandens siurblio charakteristinė

kreivė

Netīrā ūdens sūkņa raksturliķne

7500 Art. 1797 / 1799



D Produkthaftung

Wir weisen ausdrücklich darauf hin, dass wir nach dem Produkthaftungsgesetz nicht für durch unsere Geräte hervorgerufene Schäden einzustehen haben, sofern diese durch unsachgemäße Reparatur verursacht oder bei einem Teileaustausch nicht unsere Original GARDENA Teile oder von uns freigegebene Teile verwendet werden und die Reparatur nicht vom GARDENA Service oder dem autorisierten Fachmann durchgeführt wird. Entsprechendes gilt für Ergänzungsstücke und Zubehör.

GB Product Liability

We expressly point out that, in accordance with the product liability law, we are not liable for any damage caused by our units if it is due to improper repair or if parts exchanged are not original GARDENA parts or parts approved by us, and, if the repairs were not carried out by a GARDENA Service Centre or an authorised specialist. The same applies to spare parts and accessories.

F Responsabilité

Nous vous signalons expressément que GARDENA n'est pas responsable des dommages causés par ses appareils, dans la mesure où ces dommages seraient causés suite à une réparation non conforme, dans la mesure où, lors d'un échange de pièces, les pièces d'origine GARDENA n'auraient pas été utilisées, ou si la réparation n'a pas été effectuée par le Service Après-Vente GARDENA ou l'un des Centres SAV agréés GARDENA. Ceci est également valable pour tout ajout de pièces et d'accessoires autres que ceux préconisés par GARDENA.

NL Productaansprakelijkheid

Wij wijzen er nadrukkelijk op, dat wij op grond van de wet aansprakelijkheid voor producten niet aansprakelijk zijn voor schade ontstaan door onze apparaten, indien deze door onvakkundige reparatie veroorzaakt zijn, of er bij het uitwisselen van onderdelen geen gebruik gemaakt werd van onze originele GARDENA onderdelen of door ons vrigegeven onderdelen en de reparatie niet door de GARDENA technische dienst of de bevoegde vakman uitgevoerd werd. Ditzelfde geldt voor extra-onderdelen en accessoires.

S Produktansvar

Tillverkaren är inte ansvarig för skada som orsakats av produkten om skadan beror på att produkten har reparerats felaktigt eller om, vid reparation eller utbyte, andra än Original GARDENA reservdelar har använts. Samma sak gäller för kompletteringsdelar och tillbehör.

DK Produktansvar

Vi gør udtrykkeligt opmærksom på at i henhold til produktansvarsloven er vi ikke ansvarlige for skader forårsaget af vores udstyr, hvis det skyldes uautoriserede reparationer eller hvis dele er skiftet ud og der ikke er anvendt originale GARDENA dele eller dele godkendt af os, eller hvis reparationerne ikke er udført af GARDENA-service eller en autoriseret fagmand. Det samme gælder for ekstra udstyr og tilbehør.

FIN Tuotevastuu

Korostamme nimenomaan, että tuotevastuulain nojalla emme ole vastuussa laitteistamme johtuneista vahingoista, mikäli nämä ovat aiheutuneet epäasianmukaisesta korjauksesta tai osia vaihdettaessa ei ole käytetty alkuperäisiä GARDENA- varaosia tai hyväksymiämme osia ja korjauksen on suorittanut muu kuin GARDENA -huoltokeskus tai valtuuttamamme ammattihenkilö. Tämä pätee myös lisäosiin ja lisävarusteisiin.

I Responsabilità del prodotto

Si rende espressamente noto che, conformemente alla legislazione sulla responsabilità del prodotto, non si risponde di danni causati da nostri articoli se originati da riparazioni eseguite non correttamente o da sostituzioni di parti effettuate con materiale non originale GARDENA o comunque da noi non approvato e, in ogni caso, qualora l'intervento non venga eseguito da un centro assistenza GARDENA o da personale specializzato autorizzato. Lo stesso vale per le parti complementari e gli accessori.

E Responsabilidad de productos

Advertimos que conforme a la ley de responsabilidad de productos no nos responsabilizamos de daños causados por nuestros aparatos, siempre y cuando dichos daños hayan sido originados por arreglos o reparaciones indebidas, por recambios con piezas que no sean piezas originales GARDENA o bien piezas autorizadas por nosotros, así como en aquellos casos en que la reparación no haya sido efectuada por un Servicio Técnico GARDENA o por un técnico autorizado. Lo mismo es aplicable para las piezas complementarias y accesorios.

P Responsabilidade sobre o produto

Queremos salienter que segundo a lei da responsabilidade do fabricante, nós não nos responsabilizaremos por danos causados pelo nosso equipamento, quando estes ocorrerem em decorrência de reparações inadequadas ou da substituição de peças por peças não originais da GARDENA, ou peças não autorizadas. A responsabilidade tornar-se-à nula também depois de reparações realizadas por oficinas não autorizadas pela GARDENA. Esta restrição valerá também para peças adicionais e acessórios.

<p>D EG-Konformit�tserkl�ring</p> <p>Der Unterzeichnete Husqvarna AB, 561 82 Huskvarna, Sweden best�tigt, dass die nachfolgend bezeichneten Ger�te in der von uns in Verkehr gebrachten Ausf�hrung die Anforderungen der harmonisierten EU-Richtlinien, EU-Sicherheitsstandards und produktspezifischen Standards erf�llen. Bei einer nicht mit uns abgestimmten �nderung der Ger�te verliert diese Erkl�rung ihre G�ltigkeit.</p>	<p>H EU azonoss�gi nyilatkozat</p> <p>Alulirott, Husqvarna AB, 561 82 Huskvarna, Sweden, igazolja, hogy az al�bb felsorolt, �ltalunk forgalomba hozott term�kek megfelelnek az EU elv�r�soknak, EU biztons�gi norm�knak �s a term�kspecifikus szabv�nyoknak egyar�nt. A k�szl�ek vel�nk nem egyeztetett v�ltoztat�sa eset�n ez a nyilatkozat �rvenyt veszti.</p>
<p>GB EU Declaration of Conformity</p> <p>The undersigned Husqvarna AB, 561 82 Huskvarna, Sweden, hereby certifies that, when leaving our factory, the units indicated below are in accordance with the harmonised EU guidelines, EU standards of safety and product specific standards. This certificate becomes void if the units are modified without our approval.</p>	<p>CZ ES Prohl�sen� o shod�</p> <p>N�ze podepsan� spole�nost Husqvarna AB, 561 82 Huskvarna, Sweden, potvrzuje, �e n�ze ozna�en� p�stroj v provedeni, kter� jsme uvedli na trh, spl�uje po�adavky uveden� v harmonizovan�ch sm�rnicih EU, v bezpe�nostn�ch standardech EU a ve standardech pro dan� produkt. V p�r�pad� zm�ny p�stroje, kter� n�mi nebyla odsouhlasena, ztr�c� toto prohl�sen� platnost.</p>
<p>F Certificat de conformit� aux directives europ�ennes</p> <p>Le constructeur, soussign� : Husqvarna AB, 561 82 Huskvarna, Sweden, d�clare qu'� la sortie de ses usines le mat�riel neuf d�sign� ci-dessous �tait conforme aux prescriptions des directives europ�ennes �nonc�es ci-apr�s et conforme aux r�gles de s�curit� et autres r�gles qui lui sont applicables dans le cadre de l'Union europ�enne. Toute modification port�e sur ce produit sans l'accord express de Husqvarna supprime la validit� de ce certificat.</p>	<p>SK ES Vyhlasenie o zhode</p> <p>Dolu podpisan� spolo�nost Husqvarna AB, 561 82 Huskvarna, Sweden, potvrzuje, �e ďalej ozna�en� p�stroj vo vyhotoveni n�mi uvedenom do prev�dzky spl�va po�adavky harmonizovan�ch smernic EU, bezpe�nostn�ch standardov EU a standardov špecifick�ch pre produkt. V p�r�pad� zmeny p�stroja, ktor� nebola n�mi odsuhlasen�, stráca toto vyhl�senie platnosť.</p>
<p>NL EU-overeenstemmingsverklaring</p> <p>Ondergetekende Husqvarna AB, 561 82 Huskvarna, Sweden, bevestigt, dat het volgende genoemde apparaat in de door ons in de handel gebrachte uitvoering voldoet aan de eis van, en in overeenstemming is met de EU-richtlijnen, de EU-veiligheidsstandaard en de voor het product specifieke standaard. Bij een niet met ons afgestemde verandering aan het apparaat verliest deze verklaring haar geldigheid.</p>	<p>GR Πιστοποητικ� συμφωνίας ΕΚ</p> <p>Η υπογεγραμμένη: Husqvarna AB, 561 82 Huskvarna, Sweden πιστοποιεί ότι τα μηχανήματα που υποδεικνύονται κάτωθι, όταν φεύγουν από το εργοστάσιο, είναι κατασκευασμένα σύμφωνα με τις οδηγίες της Ευρωπαϊκής Κοινότητας, τα Κοινωνικά πρότυπα ασφαλείας και τις προδιαγραφές. Αυτό το πιστοποιητικό δεν ισχύει σε περίπτωση που τα προϊόντα τροποποιηθούν χωρίς την έγκρισή μας.</p>
<p>S EU Tillverkarintyg</p> <p>Undertecknad firma Husqvarna AB, 561 82 Huskvarna, Sweden, intygar h�rmed att nedan n�mnda produkter �verensst�mmer med EU:s direktiv, EU:s s�kerhetsstandard och produktspecifikation. Detta intyg upph�r att g�lla om produkten �ndras utan v�rt tillst�nd.</p>	<p>SLO Izjava o skladnosti s pravili EU</p> <p>Podpisano podjetje, Husqvarna AB, 561 82 Huskvarna, Sweden, potrjuje, da v nadaljevanju navedena naprava v razli�ci, ki smo jo poslali na trg, izpolnjuje zahteve smernic EU, varnostnih standardov EU in standardov tovornih proizvodov. Izjava ne velja za spremembe na napravi, ki niso opravljene v soglasju z nami.</p>
<p>DK EU Overensstemmelse certificat</p> <p>Undertegnede Husqvarna AB, 561 82 Huskvarna, Sweden bekr�fter herved, at enheder listet herunder, ved afsendelse fra fabrikken, er i overensstemmelse med harmoniserede EU retningslinjer, EU sikkerhedsstandarder og produkt-specifikationsstandarder. Dette certificat tr�der ud af kraft hvis enhederne er �ndret uden vor godkendelse.</p>	<p>RO UE - Certificat de conformitate</p> <p>Prin prezenta Husqvarna AB, 561 82 Huskvarna, Sweden, certifica faptul ca, in momentul in care produsele mentionate mai jos ies din fabrica sunt in concordanta cu directivele UE, standardele de siguranta UE si standardele specifice ale produsului UE. Acest certificat devine nul in cazul modificarii aparatului fara aprobarea noastra.</p>
<p>FIN EY-vaatimustenmukaisuusvakuutus</p> <p>Allekirjoittanut Husqvarna AB, 561 82 Huskvarna, Sweden vakuuttaa, ett� allamainittu laitteet t�ytt�v�t tehtaaltamme l�htess�n yhdenmukaistettujen EY-direktiivien, EY-turvallisuusstandardien ja tuotekohtaisten standardien vaatimukset. Laitteisiin tehdyt muutokset, joista ei ole sovittu kanssamme, johtavat t�m�n vakuutuksen raukaamiseen.</p>	<p>BG ES-Декларация за съответствие</p> <p>Подписаната фирма Husqvarna AB, 561 82 Huskvarna, Sweden декларира, че описаните подолу уреди, пуasnати в продажба съгласно нашата спецификация, изпълняват изискванията на хармонизираните ЕС-директиви, ЕС-станданти за безопасност и специфичните производствени стандарти. При промяна на уреда, която не е съгласувана с нас, тази декларация губи своята валидност.</p>
<p>I Dichiarazione di conformit� alle norme UE</p> <p>La sottoscritta Husqvarna AB, 561 82 Huskvarna, Sweden, certifica che il prodotto qui di seguito indicato, nei modelli da noi commercializzati, � conforme alle direttive armonizzate UE nonch� agli standard di sicurezza e agli standard specifici di prodotto. Qualunque modifica apportata al prodotto senza nostra specifica autorizzazione invalida la presente dichiarazione.</p>	<p>EST Eli vastavusdeklaratsioon</p> <p>Allkirjutuna Husqvarna AB, 561 82 Huskvarna, Sweden kinnitab, et kirjeldatud seade vastab meie poolt riiglusse viidud kujul Eli harmoniseeritud direktiividele, ELi ohutusstandarditele ja tootega seotud standarditele. Meiega koosk�lastamata muudatused teadmise korral seadmel kaotab see deklaratsioon kehtivuse.</p>
<p>E Declaraci�n de conformidad de la UE</p> <p>El que suscribe Husqvarna AB, 561 82 Huskvarna, Sweden, declara que la presente mercanc�a, objeto de la presente declaraci�n, cumple con todas las normas de la UE, en lo que a normas t�cnicas, de homologaci�n y de seguridad se refiere. En caso de realizar cualquier modificaci�n en la presente mercanc�a sin nuestra previa autorizaci�n, esta declaraci�n pierde su validez.</p>	<p>LT ES Atitikties deklaracija</p> <p>Pasirašanti Husqvarna AB, 561 82 Huskvarna, Sweden patvirtina, kad žemiau nurodyti prietaisai ir jų modeliai, kuriuos paleidome į apyvartą, patenkinia harmonizuotas ES direktyvas, ES saugumo standartus ir specifinius gaminio standartus. Atlikus bet kokį prietaiso pakeitimą, kuris nėra suderintas su mumis, ši deklaracija praranda galiojimą.</p>
<p>P Certificado de conformidade da UE</p> <p>Os abaixo mencionados Husqvarna AB, 561 82 Huskvarna, Sweden, por este meio certificam que ao sair da f�brica o aparelho abaixo mencionado est� de acordo com as directivas harmonizadas da UE, padr�es de seguran�a e de produtos espec�ficos. Este certificado ficar� nulo se a unidade for modificada sem a nossa aprova�o.</p>	<p>LV ES-atbilstības deklar�cija</p> <p>Parakst�jusies Husqvarna AB, 561 82 Huskvarna, Sweden, V�cija apstiprina, ka sekojoši apzīmētās iek�rtas, kuras mēs izplatām, sav� izpildījum� atbilst harmoniz�tajam ES direkt�vam, ES drošības standartiem un produkta specifiskajiem standartiem. Ar mūsu neapstiprin�tām izmaiņ�m iek�rt� šī deklar�cija zaud� savu derīgumu.</p>
<p>PL Deklaracja zgodności Unii Europejskiej</p> <p>Niżej podpisany Husqvarna AB, 561 82 Huskvarna, Sweden, potwierdza, �e poniżej opisane urz�dzenie w wykonaniu wprowadzonym przez nas do obrotu spełnia wymogi zharmonizowanych wytycznych Unii Europejskiej, standardów bezpiecze�stwa Unii Europejskiej i standardów specyficznych dla danego produktu. W przypadku wprowadzenia zmian nie uzgodnionych z nami wyja�nienie to traci swoj� w�żno�.</p>	

Deutschland / Germany

GARDENA GmbH
Central Service
Hans-Lorenser-Straße 40
D-89079 Ulm
Produktfragen:
(+49) 731 490-123
Reparaturen:
(+49) 731 490-290
service@gardena.com

Albania

COBALT Sh.p.k.
Rr. Siri Kodra
1000 Tirana

Argentina

Husqvarna Argentina S.A.
Av.del Libertador 5954 -
Piso 11 - Torre B
(C1428ARP) Buenos Aires
Phone: (+54) 11 5194 5000
info.gardena@
ar.husqvarna.com

Armenia

Garden Land Ltd.
61 Tigran Mets
0005 Yerevan

Australia

Husqvarna Australia Pty. Ltd.
Locked Bag 5
Central Coast BC
NSW 2252
Phone: (+61) (0) 2 4352 7400
customer.service@
husqvarna.com.au

Austria / Österreich

Husqvarna Austria GmbH
Consumer Products
Industriezeile 36
4010 Linz
Tel.: (+43) 732 77 01 01-90
consumer.service@
husqvarna.at

Azerbaijan

Firm Progress a.
Aliyev Str. 26A
10522 Baku

Belgium

GARDENA Belgium NV/SA
Sterrebeekstraat 163
1930 Zaventem
Phone: (+32) 2 720 92 12
Mail: info@gardena.be

Bosnia / Hercegovina

SILK TRADE d.o.o.
Industrijska zona Bukva bb
74260 Tešanj

Brazil

Husqvarna do Brasil Ltda
Av. Francisco Matrazzo,
1400 - 19º andar
São Paulo - SP
CEP: 05001-903
Tel: 0800-112252
marketing.br.husqvarna@
husqvarna.com.br

Bulgaria

Хускварна България ЕООД
Бул. „Андрей Ляпчев“ № 72
1799 София
Tel.: (+359) 02/9753076
www.husqvarna.bg

Canada / USA

GARDENA Canada Ltd.
100 Summerlea Road
Brampton, Ontario L6T 4X3
Phone: (+1) 905 792 9330
info@gardena.canada.com

Chile

Maquinarias Agroforestales
Ltda. (Maga Ltda.)
Santiago, Chile
Avda. Chesterton
8355 comuna Las Condes
Phone: (+56) 2 202 4417
Dalton@мага.cl
Zipcode: 7560330

Temuco, Chile

Avda. Valparaiso # 01466
Phone: (+56) 45 222 126
Zipcode: 4780441

China

Husqvarna (China) Machinery
Manufacturing Co., Ltd.
No. 1355, Jia Xin Rd.
Ma Lu Zhen, Jia Ding Dist.,
Shanghai
201801
Phone: (+86) 21 59159629
Domestic Sales
www.gardena.com.cn

Colombia

Husqvarna Colombia S.A.
Calle 18 No. 68 D-31, zona
Industrial de Montevideo
Bogotá, Cundinamarca
Tel. 571 2922700 ext. 105
jairo.salazar@
husqvarna.com.co

Costa Rica

Europa Exim
Euroiberamericana S.A.
Los Colegios, Moravia,
200 metros al Sur del Colegio
Saint Francis - San José
Phone: (+506) 297 68 83
exim_euro@racsa.co.cr

Croatia

SILK ADRIA d.o.o.
Josipa Lončara 3
10090 Zagreb
Phone: (+385) 1 3794 580
silk.adria@zg-t-com.hr

Cyprus

Med Marketing
17 Digeni Akritas Ave
P.O. Box 27017
1641 Nicosia

Czech Republic

Husqvarna Česko s.r.o.
Türkova 2319/5b
149 00 Praha 4 – Chodov
Bezplatná infolinka:
800 100 425
servis@cz.husqvarna.com

Denmark

GARDENA / Husqvarna
Consumer Outdoor Products
Salgsafdelning Danmark
Box 9003
S-200 39 Malmö
info@gardena.dk

Dominican Republic

BOSQUESA, S.R.L.
Carretera Santiago Licey
Km. 5 ½
Esquina Copal II.
Santiago, Dominican Republic
Phone: (+809) 736-0333
joserbosquesa@claro.net.do

Ecuador

Husqvarna Ecuador S.A.
Arujos E1-181 y 10 de Agosto
Quito, Pichincha
Tel. (+593) 22800739
francisco.jacome@
husqvarna.com.ec

Estonia

Husqvarna Eesti OÜ
Consumer Outdoor Products
Kesk tee 10, Aaviku küla
Rae vald
Harju maakond
75005 Estonia
kontakt.etj@husqvarna.ee

Finland

Oy Husqvarna Ab
Consumer Outdoor Products
Lauttarhankatu 8 / PL 3
00581 HELSINKI
info@gardena.fi

France

GARDENA France
Immeuble Expositiel
9 - 11 allée des Pierres Mayettes
Zac des Barbanniers, B.P. 99
- F- 92232 GENNEVILLIERS
cedex
Tél. (+33) 01 40 85 30 40
service.consommateurs@
gardena.fr

Georgia

ALD Group
Beliashevli 8
1159 Tleilisi

Great Britain

Husqvarna UK Ltd
Preston Road
Aycliffe Industrial Park
Newton Aycliffe
County Durham
DL5 6UP
info.gardena@
husqvarna.co.uk

Greece

HUSQVARNA ΕΛΛΑΣ Α.Ε.Β.Ε.
Υπ. /μυ Ηρώδιου 33Α
Βρ. Πλ. Κορωπίου
194 00 Κορωπί Αττικής
V.A.T. EL094094640
Phone: (+30) 210 6620 225
info@husqvarna-consumer.gr

Hungary

Husqvarna Magyarország Kft.
Ezred u. 1-3
1044 Budapest
Telephone: (+36) 1 251-4161
vevozszoigalat.husqvarna@
husqvarna.hu

Iceland

O. Johnson & Kaaber
Tunguhalsi 1
110 Reykjavik
ooj@oik.is

Ireland

Husqvarna UK Ltd
Preston Road
Aycliffe Industrial Park
Newton Aycliffe
County Durham
DL5 6UP
info.gardena@
husqvarna.co.uk

Italy

Husqvarna Italia S.p.A.
Via Como 72
23868 VALMADRERA (LC)
Phone: (+39) 0341.203.111
info@gardenaitalia.it

Japan

KAKIUCHI Co. Ltd.
Sumitomo Realty &
Development Kojimachi
BLDG., 8F
5-1 Nibanncyo
Chiyoda-ku
Tokyo 102-0084
Phone: (+81) 33 264 7271
m_ishihara@kaku-ichi.co.jp

Kazakhstan

LAMED Ltd.
155/11, Tazhibayevy Str.
050060 Almaty
IP Schmidt
Abayavenue 3B
110 005 Kostanay

Kyrgyzstan

Alye Maki
av. Molodaya Guardir J 3
720014
Bishkek

Latvia

Husqvarna Latvija
Consumer Outdoor Products
Bakūži iela 6
LV-1024 Rīga
info@husqvarna.lv

Lithuania

UAB Husqvarna Lietuva
Consumer Outdoor Products
Ateities pl. 77C
LT-52104 Kaunas
centras@husqvarna.lt

Luxembourg

Magasins Jules Neuberg
39, rue Jacques Stas
Luxembourg-Gaspersch 2549
Case Postale No.12
Luxembourg 2010
Phone: (+352) 40 140 101
api@neuberg.lu

Mexico

AV.Lopez Mateos Sur # 5019
Col. La Palma 45070
Zapopan, Jalisco
Mexico
Phone: (+52) 33 3818-3434
icornejo@afosa.com.mx

Moldova

Convel S.R.L.
290A Muncesti Str.
2002 Chisinau

Netherlands

GARDENA Nederland B.V.
Postbus 50176
1305 AD ALMERE
Phone: (+31) 36 521 00 00
info@gardena.nl

Neth. Antilles

Jonka Enterprises N.V.
Sta. Rosa Weg 196
P.O. Box 8200
Curaçao
Phone: (+599) 9 767 66 55
pgm@jonka.com

New Zealand

Husqvarna New Zealand Ltd.
PO Box 76-437
Manukau City 2241
Phone: (+64) (0) 9 9202410
support.nz@husqvarna.co.nz

Norway

GARDENA
Husqvarna Consumer
Outdoor Products
Salgskontor Norge
Klevereivn 6
1540 Vestby
info@gardena.no

Peru

Husqvarna Perú S.A.
Jr. Ramón Cárcamo 710
Lima 1
Tel: (+51) 1 3320400 ext. 416
juan_remuigo@
husqvarna.com

Poland

Husqvarna
Poland Spółka z o.o.
ul. Wysockiego 15 b
03-371 Warszawa
Phone: (+48) 22 330 96 00
gardena@gardena.pl

Portugal

Husqvarna Portugal, SA
Lagoa - Albarraque
2635 - 595 Rio de Mouro
Tel.: (+351) 21 922 85 30
Fax: (+351) 21 922 85 36
info@gardena.pt

Romania

Madex International Srl
Soseaua Odaii 117 - 123,
RO 013603
București, S1
Phone: (+40) 21 352.76.03
madex@mes.ro

Russia

ООО „Хускварна“
141400, Московская обл.,
г. Химки,
улица Ленинградская,
владение 39, стр.6
Бизнес Центр
„Химки Бизнес Парк“,
помещение ОВ02_04

Serbia

Domel d.o.o.
Autoput za Novi Sad bb
11273 Belgrade
Phone: (+381) 11 848 88 12
miroslav.jejina@domel.rs

Singapore

Hyr-Ray PRIVATE LIMITED
40 Jalan Pemimpin
02-028 Tat Ann Building
Singapore 577185
Phone: (+65) 6253 2277
shiyang@hyray.com.sg

Slovak Republic

Husqvarna Česko s.r.o.
Türkova 2319/5b
149 00 Praha 4 – Chodov
Bezplatná infolinka:
800 154 044
servis@sk.husqvarna.com

Slovenia

Husqvarna Austria GmbH
Consumer Products
Industriezeile 36
4010 Linz
Tel.: (+43) 732 77 01 01-90
consumer.service@
husqvarna.at

South Africa

Husqvarna
South Africa (Pty) Ltd
Postnet Suite 250
Private Bag X6,
Cascades, 3202
South Africa
Phone: (+27) 33 846 9700
info@gardena.co.za

Spain

Husqvarna España S.A.
C/ Basauri, nº 6
La Florida
28023 Madrid
Phone: (+34) 91 708 05 00
atencioncliente@gardena.es

Suriname

Agrofix n.v.
Verlengde Hogestraat #22
Phone: (+597) 472426
agrofix@sr.net
Pobox : 2006
Paramaribo
Suriname-South America

Sweden

Husqvarna AB
S-561 82 Huskvarna
info@gardena.se
Lima 1
Tel: (+51) 1 3320400 ext. 416
juan_remuigo@
husqvarna.com

Switzerland / Schweiz

Husqvarna Schweiz AG
Consumer Products
Industriestrasse 10
5506 Mägenwil
Phone: (+41) (0) 848 800 464
info@gardena.ch

Turkey

GARDENA Dost Diş Ticaret
Müesseslik A.Ş.
Sanayi Cad. Adil Sokak
No: 1/B Kartal
34873 Istanbul
Phone: (+90) 216 38 93 939
info@gardena-dost.com.tr

Ukraine / Україна

ТОВ «Хусарна Україна»
вул. Васильківська, 34,
офіс 204-г
03022, Київ
Тел. (+38) 044 498 39 02
info@gardena.ua

Uruguay

FELI SA
Entre Ríos 1083 CP 11800
Montevideo - Uruguay
Tel: (+598) 22 03 18 44
info@felisa.com.uy

Venezuela

Corporación Casa y Jardín C.A.
Av. Caroní, Edif. Trezmen, PB.
Colinas de Bello Monte.
1050 Caracas.
Tlf: (+58) 212 992 33 22
info@casayjardin.net.ve

1783-20.960.06/0811

© GARDENA
Manufacturing GmbH
D-89070 Ulm
http://www.gardena.com