

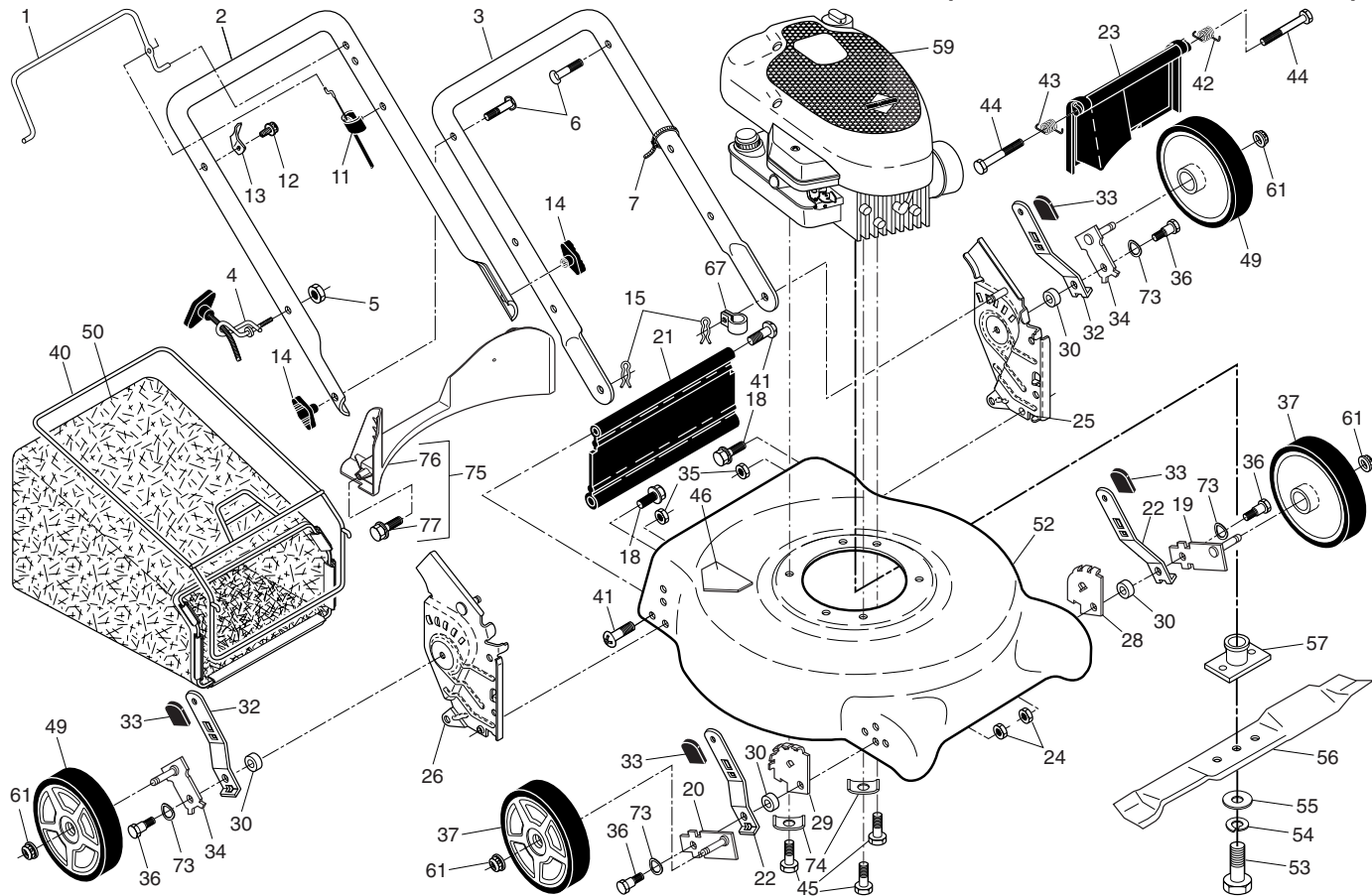
REPAIR PARTS MANUAL
MODEL NO. PR550N21R
MFG. ID. NO. 96132004600
Rotary Lawn Mower

For Parts and Service, contact our authorized distributor: call 1-800-849-1297
For Technical Assistance: call 1-800-829-5886

Poulan PRO

ROTARY LAWN MOWER -- MODEL NUMBER PR550N21R (MFG. ID. NO. 96132004600)

2



ROTARY LAWN MOWER - - MODEL NUMBER **PR550N21R** (MFG. ID. NO. 96132004600)

KEY NO.	PART NO.	DESCRIPTION	KEY NO.	PART NO.	DESCRIPTION
1	194177X421	Control Bar	37	193931X428	Wheel & Tire Assembly, Front 7 x 1-3/4
2	194179X479	Upper Handle	40	411949	Frame, Grassbag
3	169708X479	Lower Handle	41	88652	Hinge Screw
4	194788	Rope Guide	42	405421	Spring, Rear Door, LH
5	132004	Nut, Hex	43	405423	Spring, Rear Door, RH
6	191574	Handle Bolt	44	184193	Bolt, Rear Door
7	66426	Wire Tie	45	150406	Hex Head Thread Rolling Screw 3/8-16 x 1
11	176556	Cable, Engine Zone Control	46	404763	Danger Decal
12	750634	Hex Washer Head Screw	49	193905X428	Wheel & Tire Assembly, Rear 8 x 1-3/4
13	429930X004	Up-Stop Bracket	50	411060	Grassbag
14	189713X428	Knob, Handle	52	430478	Kit, Mower Housing (Includes Key Number 46)
15	51793	Hairpin Cotter	53	851084	Hex Head Screw 3/8-24 x 1-3/8 Grade 8
18	17600406	Screw	54	850263	Helical Lockwasher
19	401174X004	Axle Arm Assembly, Front, LH	55	851074	Hardened Washer
20	401175X004	Axle Arm Assembly, Front, RH	56	406712	21" Blade
21	418655	Kit, Rear Skirt	57	851514	Blade Adapter
22	401621X004	Selector Spring, Front	59	- - -	Engine, Briggs & Stratton, Model Number 10T802-1098-EA (For engine service and replacement parts, call Briggs & Stratton at 1-800-233-3723)
23	401814X428	Rear Door Assembly	61	409148	Flanged Locknut, Hex
24	426589	Nut, Hex 5/16-18	67	197991	Clip, Cable
25	410387X479	Handle Bracket Assembly, LH	73	401630	Washer, Curved, Cylindrical
26	410388X479	Handle Bracket Assembly, RH	74	851201X004	Washer, Special, Engine
28	407499X005	Wheel Adjusting Bracket, Front, LH	75	413693	Kit, Rear Baffle (Includes 3 Screws)
29	407500X005	Wheel Adjusting Bracket, Front, RH	76	410589	Baffle, Rear
30	401629	Spacer	77	17411312	Screw, Rear Baffle
32	401623X004	Selector Spring, Rear	--	404764	Warning Decal (not shown)
33	701037X421	Selector Knob			
34	401173X004	Axle Arm Assembly, Rear, LH			
35	73930500	Locknut, Hex 5/16-18			
36	401638	Shoulder Bolt 5/16-18			

NOTE: All component dimensions given in U.S. inches. 1 inch = 25.4 mm.

IMPORTANT: Use only Original Equipment Manufacturer (O.E.M.) replacement parts. Failure to do so could be hazardous, damage your lawn mower and void your warranty.

LIMITED WARRANTY

The Manufacturer warrants to the original consumer purchaser that this product as manufactured is free from defects in materials and workmanship. For a period of two (2) years from date of purchase by the original consumer purchaser, we will repair or replace, at our option, without charge for parts or labor incurred in replacing parts, any part which we find to be defective due to materials or workmanship. This Warranty is subject to the following limitations and exclusions.

1. This warranty does not apply to the engine, transaxle/transmission components, battery (except as noted below) or components parts thereof. Please refer to the applicable manufacturer's warranty on these items.
2. Transportation charges for the movement of any power equipment unit or attachment are the responsibility of the purchaser. Transportation charges for any parts submitted for replacement under this warranty must be paid by the purchaser unless such return is requested by the manufacturer.
3. Battery Warranty: On products equipped with a Battery, we will replace, without charge to you, any battery which we find to be defective in manufacture, during the first ninety (90) days of ownership. After ninety (90) days, we will exchange the Battery, charging you 1/12 of the price of a new Battery for each full month from the date of the original sale. Battery must be maintained in accordance with the instructions furnished.
4. The Warranty period for any products used for rental or commercial purposes is limited to 45 days from the date of original purchase.
5. This Warranty applies only to products which have been properly assembled, adjusted, operated, and maintained in accordance with the instructions furnished. This Warranty does not apply to any product which has been subjected to alteration, misuse, abuse, improper assembly or installation, delivery damage, or to normal wear of the product.
6. Exclusions: Excluded from this Warranty are belts, blades, blade adapters, normal wear, normal adjustments, standard hardware and normal maintenance.
7. In the event you have a claim under this Warranty, you must return the product to an authorized service dealer.

Should you have any unanswered questions concerning this Warranty, contact:

Poulan Pro
Customer Service Department
1030 Stevens Creek Road
Augusta, GA 30907 USA

In Canada contact:
Poulan Pro
Customer Service Department
5855 Terry Fox Way
Mississauga, Ontario L5V 3E4

giving the model number, serial number and date of purchase of your product and the name and address of the authorized dealer from whom it was purchased.

THIS WARRANTY DOES NOT APPLY TO INCIDENTAL OR CONSEQUENTIAL DAMAGES AND ANY IMPLIED WARRANTIES ARE LIMITED TO THE SAME TIME PERIODS STATED HEREIN FOR OUR EXPRESSED WARRANTIES.

Some areas do not allow the limitation of consequential damages or limitations of how long an implied Warranty may last, so the above limitations or exclusions may not apply to you. This Warranty gives you specific legal rights, and you may have other rights which vary from locale to locale.

This is a limited Warranty within the meaning of that term as defined in the Magnuson-Moss Act of 1975.

Poulan PRO