

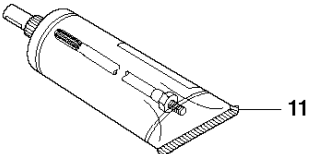
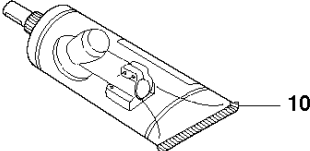
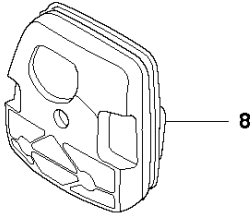
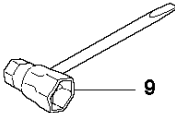
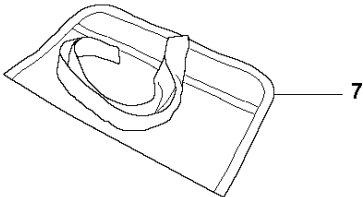
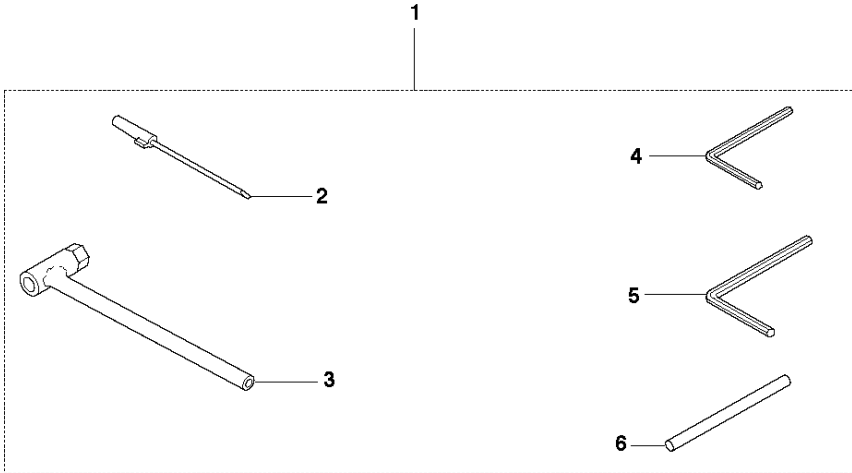


SPARE PARTS LIST

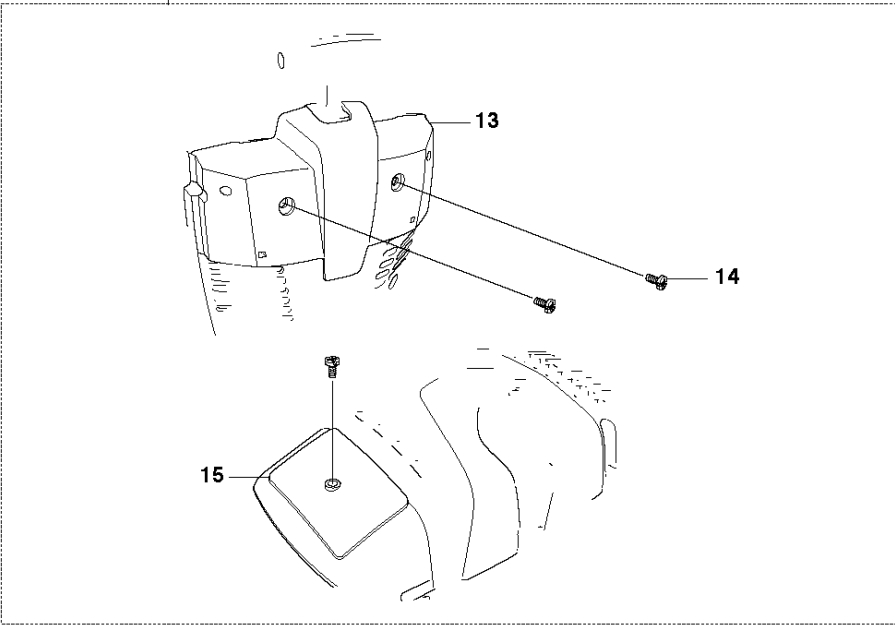
BRUSHCUTTERS/CLEARING SAWS

FC2145 S, 2010-09

S1 2145
ACCESSORIES



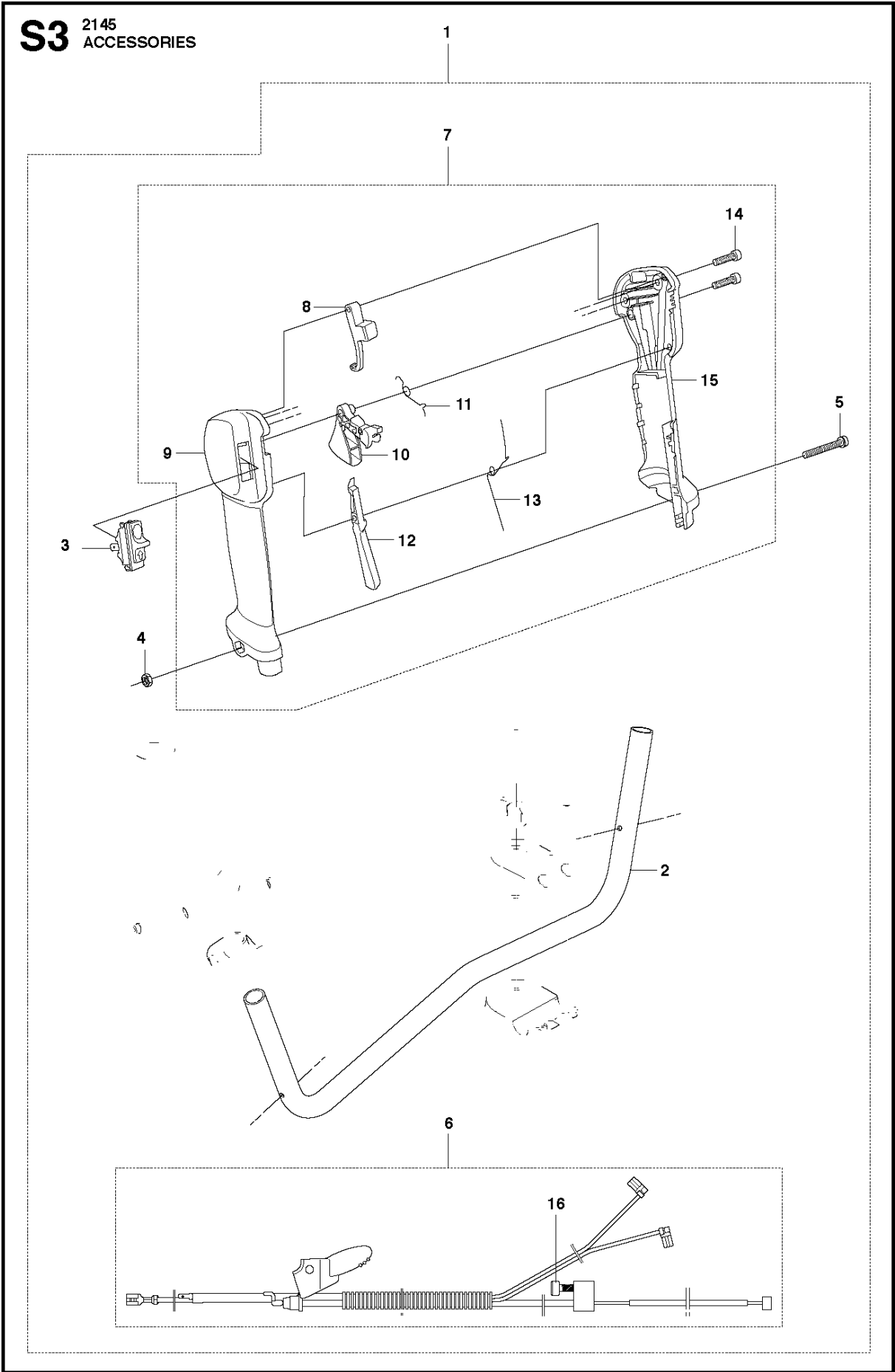
12



ACCESSORIES

FC2145 S, 2010-09

| Ref | Part No | Description | Remark | QTY | KIT |
|-----|--------------|--------------------|-------------------------|-----|-----|
| 1 | 502 21 60-13 | ACCESSORY BAG | | 1 | |
| 2 | 501 60 02-03 | SCREWDRIVER | | 1 | 1 |
| 3 | 502 11 46-03 | KEY | | 1 | 1 |
| 4 | 502 21 58-01 | L-NYCKEL | 4 mm | 1 | 1 |
| 5 | 503 55 86-02 | SPANNER | 5 mm | 1 | 1 |
| 6 | 502 28 59-01 | STOP | | 1 | 1 |
| 7 | 501 19 22-01 | TOOL CASING | | 1 | |
| 8 | 537 38 11-01 | FILTER | NYLON μ 80 = Black | 1 | |
| 8 | 537 38 11-02 | FILTER | NYLON μ 44 = Yellow | 1 | |
| 8 | 537 38 11-03 | FILTER | FELT = White | 1 | |
| 8 | 537 38 11-04 | FILTER | NYLON μ 100 = Grey | 1 | |
| 9 | 501 69 17-01 | COMBINATION WRENCH | | 1 | |
| 10 | 503 97 65-01 | GREASE | | 1 | |
| 11 | 503 80 17-01 | GREASE | | 1 | |
| 12 | 537 41 00-01 | WINTER KIT | | 1 | |
| 13 | 537 26 54-01 | WINTER COVER | | 1 | 12 |
| 14 | 503 21 70-10 | SCREW CCRPANT | | 3 | 12 |
| 15 | 537 26 53-01 | WINTER COVER | | 1 | 12 |

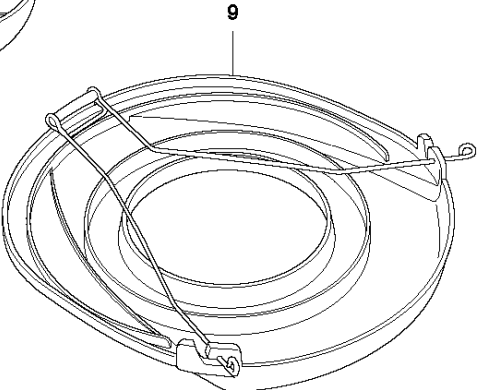
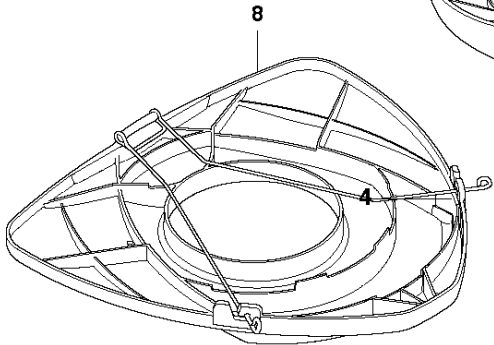
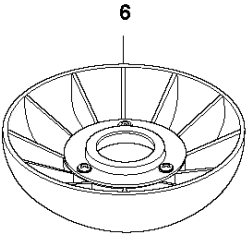
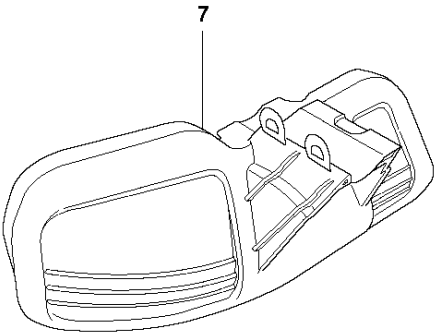
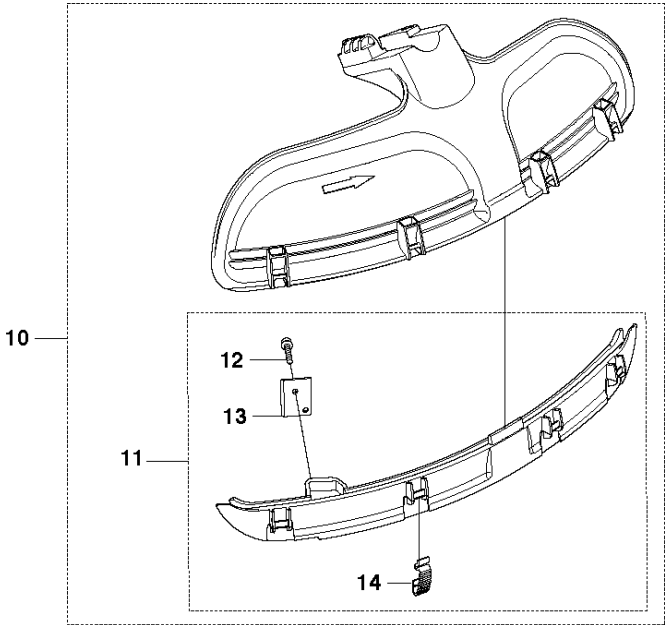
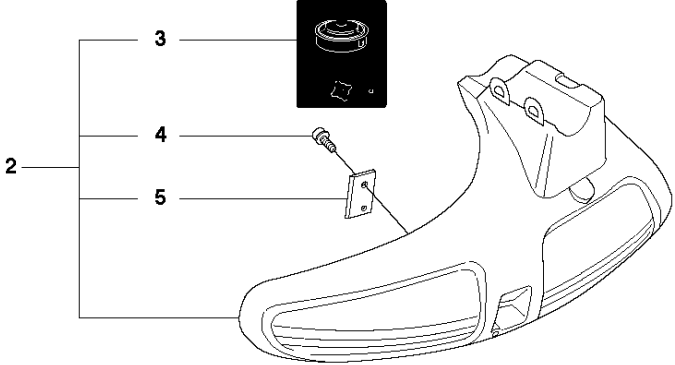
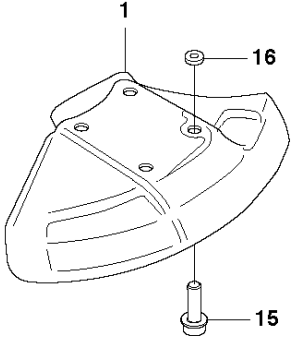


ACCESSORIES

FC2145 S, 2010-09

| Ref | Part No | Description | Remark | QTY | KIT |
|-----|--------------|----------------------|---------------------|-----|-------|
| 1 | 510 11 88-02 | KIT | FC, FCS, FCW Canada | 1 | |
| 2 | 537 33 49-01 | HANDLEBAR | | 1 | 1 |
| 3 | 503 41 90-01 | CHAIN BRAKE ASSY | | 1 | 1 |
| 4 | 503 22 10-13 | HEXAGON NUT | | 1 | 1 |
| 5 | 503 20 07-35 | SCREW IHSCFM | | 1 | 1 |
| 6 | 544 97 78-02 | WIRING ASSY | | 1 | 1 |
| 7 | 504 20 98-06 | THROTTLE HANDLE ASSY | | 1 | 1 |
| 8 | 537 16 07-02 | STARTER THROTTLE LOC | | 1 | 1,7 |
| 9 | 537 18 07-04 | HANDLE HALF | | 1 | 1,7 |
| 10 | 537 16 08-02 | THROTTLE TRIGGER | | 1 | 1,7 |
| 11 | 537 17 42-01 | SPRING THROTTLE TRIG | | 1 | 1,7 |
| 12 | 537 16 06-02 | THROTTLE LOCKOUT | | 1 | 1,7 |
| 13 | 537 17 43-01 | SPRING | | 1 | 1,7 |
| 14 | 503 21 66-18 | SCREW IHSCCT | | 2 | 1,7 |
| 15 | 537 18 08-07 | HANDLE HALF | | 1 | 1,7 |
| 16 | 503 21 66-16 | SCREW IHSCCT | | 1 | 1,6,7 |

S2 2145
ACCESSORIES

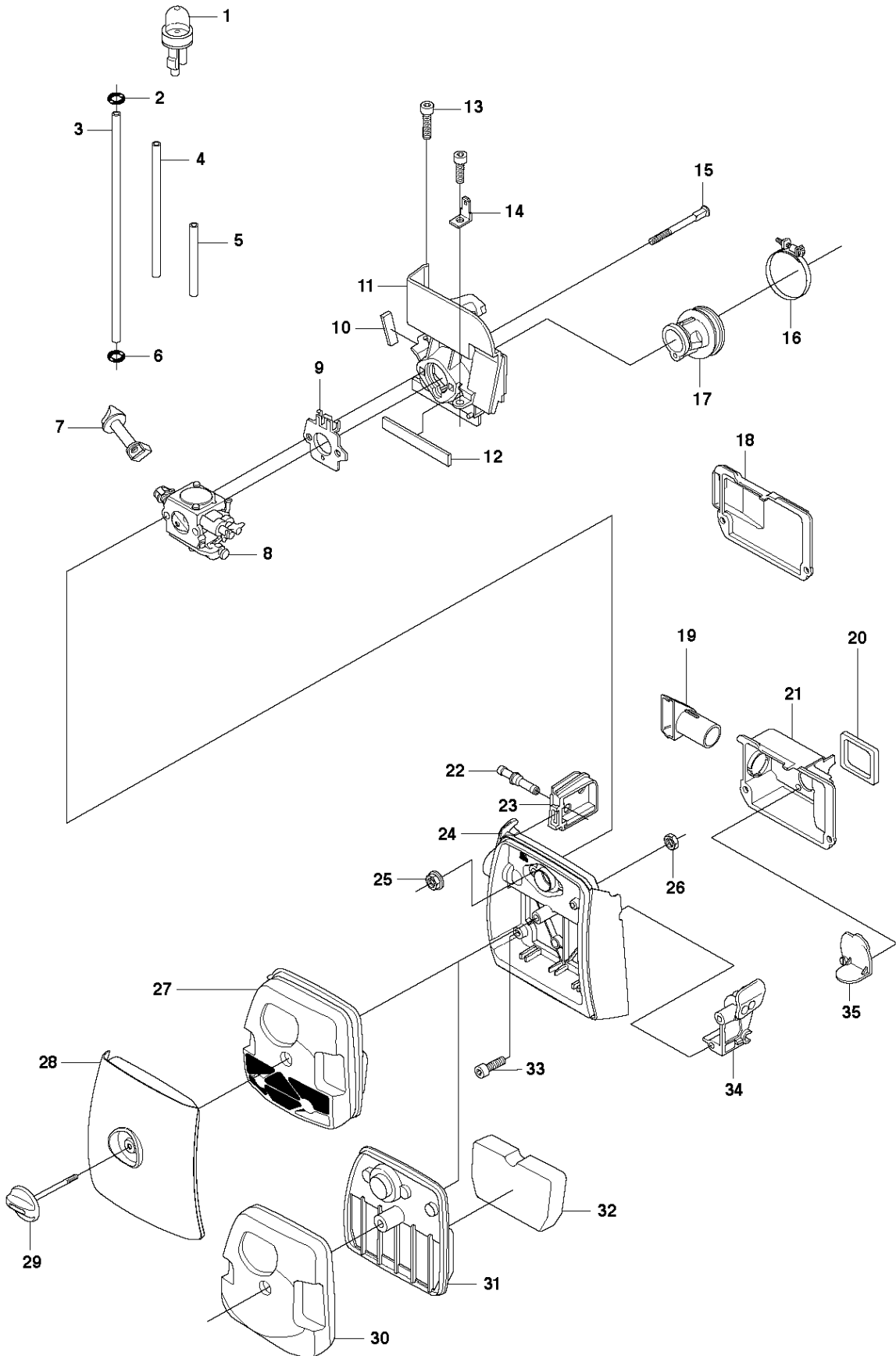


ACCESSORIES

FC2145 S, 2010-09

| Ref | Part No | Description | Remark | QTY | KIT |
|-----|--------------|-------------------|-----------------------------|-----|-----|
| 1 | 574 50 67-02 | SAW BLADE GUARD | 225 mm, Saw blade guard | 1 | |
| 1 | 574 56 49-02 | BLADE GUARD | 200 mm, Saw blade guard | 1 | |
| 2 | 503 95 43-03 | TRIMMER GUARD | Trimmer head guard | 1 | |
| 3 | 503 74 29-01 | DECAL | | 1 | 2 |
| 4 | 503 21 07-16 | SCREW IH SCT | | 1 | 2 |
| 5 | 503 79 88-01 | BLADE | | 1 | 2 |
| 6 | 502 15 70-02 | SUPPORT CUP | | 1 | |
| 7 | 537 28 85-02 | GRASS BLADE GUARD | Grass blade guard | 1 | |
| 8 | 544 35 91-01 | TRANSPORT GUARD | 300-350 mm, Transport guard | 1 | |
| 9 | 537 31 29-01 | SAW BLADE GUARD | 200-275 mm, Transport guard | 1 | |
| 10 | 544 46 43-03 | COMBI GUARD | Kombi guard | 1 | |
| 11 | 537 39 63-02 | SPLASH GUARD | | 1 | 10 |
| 12 | 503 21 07-16 | SCREW IH SCT | | 1 | 10 |
| 13 | 503 79 88-01 | BLADE | | 1 | 10 |
| 14 | 537 38 72-01 | SNAP | | 4 | 10 |
| 15 | 503 20 02-16 | SCREW IH SCFM | | 4 | |
| 16 | 574 03 95-01 | LOCKING NUT | | 4 | |

J 2145
AIRFILTER HOLDER

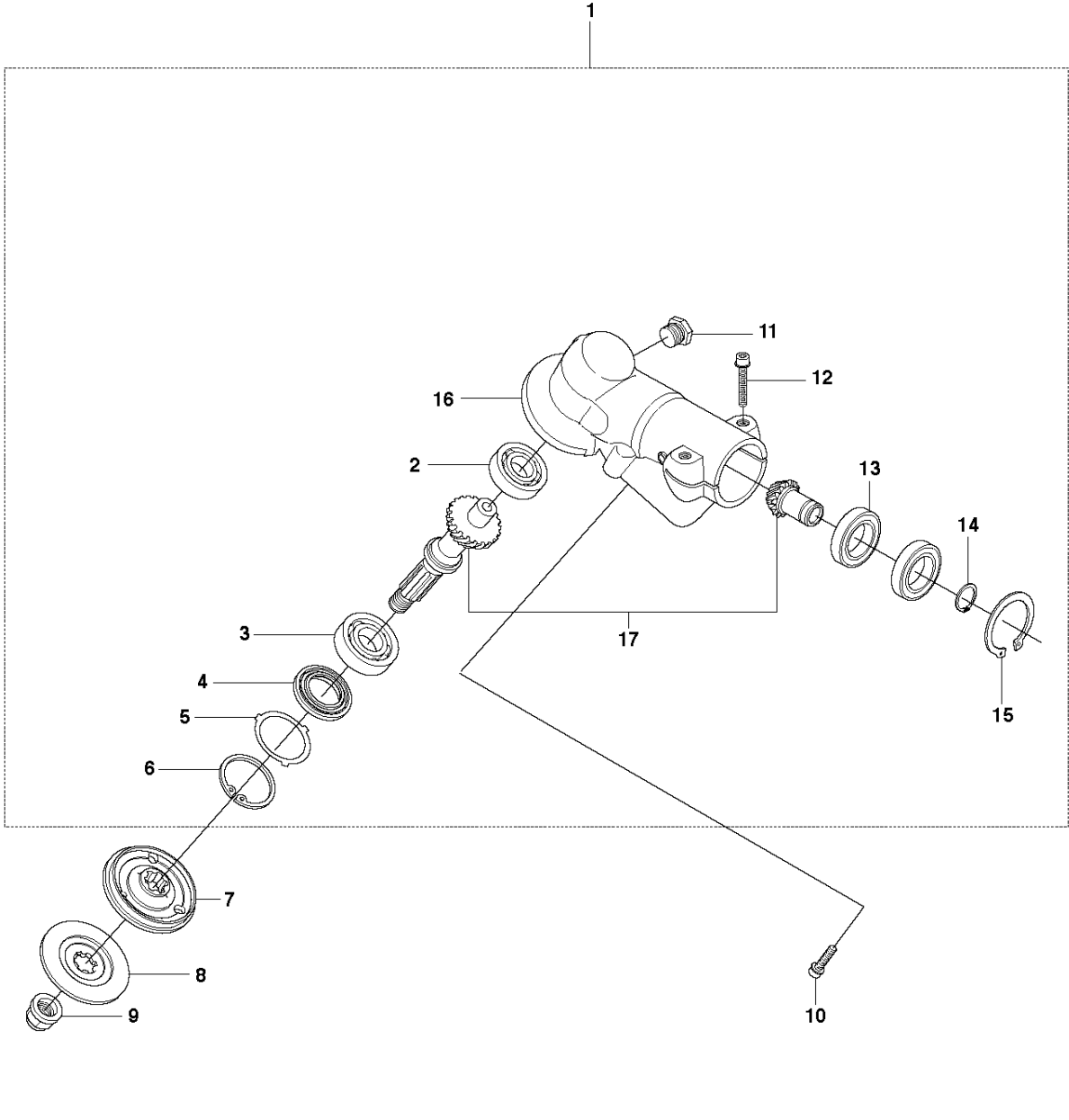


AIR FILTER

FC2145 S, 2010-09

| Ref | Part No | Description | Remark | QTY KIT |
|-----|--------------|--------------------|------------------------|---------|
| 1 | 503 93 66-01 | PRIMER HOUSING | | 1 |
| 2 | 537 18 49-01 | O-RING | | 1 |
| 3 | 544 32 49-23 | FUEL HOSE | L=160 mm | 1 |
| 4 | 537 04 24-01 | FUEL HOSE | L=102 mm | 1 |
| 5 | 537 05 23-03 | FUEL HOSE | L=35 mm | 1 |
| 6 | 537 18 19-01 | BEARING | | 1 |
| 7 | 537 11 00-01 | CHOKE CONTROL | | 1 |
| 8 | 503 28 31-16 | CARBURETTOR | Zama C1Q-EL21 | 1 |
| 9 | 537 11 01-01 | SPACER | | 1 |
| 10 | 537 22 96-02 | MOULDING | | 1 |
| 11 | 537 30 02-01 | INSULATION WALL | | 1 |
| 12 | 537 22 96-01 | MOULDING | | 1 |
| 13 | 503 20 03-20 | SCREW IHSCFM | | 2 |
| 14 | 503 23 88-02 | FLAT PIN | | 1 |
| 15 | 544 08 20-02 | SCREW | | 2 |
| 16 | 503 56 00-09 | HOSE CLAMP | | 1 |
| 17 | 503 95 83-01 | BELLOWS | | 1 |
| 18 | 537 27 61-01 | MUFFLER | BC, CC | 1 |
| 19 | 537 14 15-01 | AIR INTAKE | FC, FCS, FCW | 1 |
| 20 | 537 30 93-01 | SEALING | FC, FCS, FCW | 1 |
| 21 | 537 10 99-02 | MUFFLER | FC, FCS, FCW | 1 |
| 22 | 537 29 46-01 | FOLIE | | 1 |
| 23 | 537 16 59-01 | GROMMET | | 1 |
| 24 | 537 25 95-01 | FILTER HOLDER | | 1 |
| 25 | 731 71 14-51 | HEXAGON NUT FLANGE | | 2 |
| 26 | 731 23 14-05 | HEXAGON NUT | | 2 |
| 27 | 537 38 11-01 | FILTER | μ80 Black FC, FCS, FCW | 1 |
| 28 | 537 32 07-01 | FILTER COVER | | 1 |
| 29 | 537 21 32-05 | KNOB | | 1 |
| 30 | 503 95 80-01 | HUB CAP | BC, CC | 1 |
| 31 | 503 95 79-01 | RETAINER | BC, CC | 1 |
| 32 | 537 42 71-01 | AIR FILTER | BC, CC | 1 |
| 33 | 503 20 03-20 | SCREW IHSCFM | | 2 |
| 34 | 537 42 11-01 | CHISEL GUIDE | | 1 |
| 35 | 537 14 14-01 | HUB CAP | FC, FCS, FCW | 1 |

A2 FC 2145/W/S
BEVEL GEAR



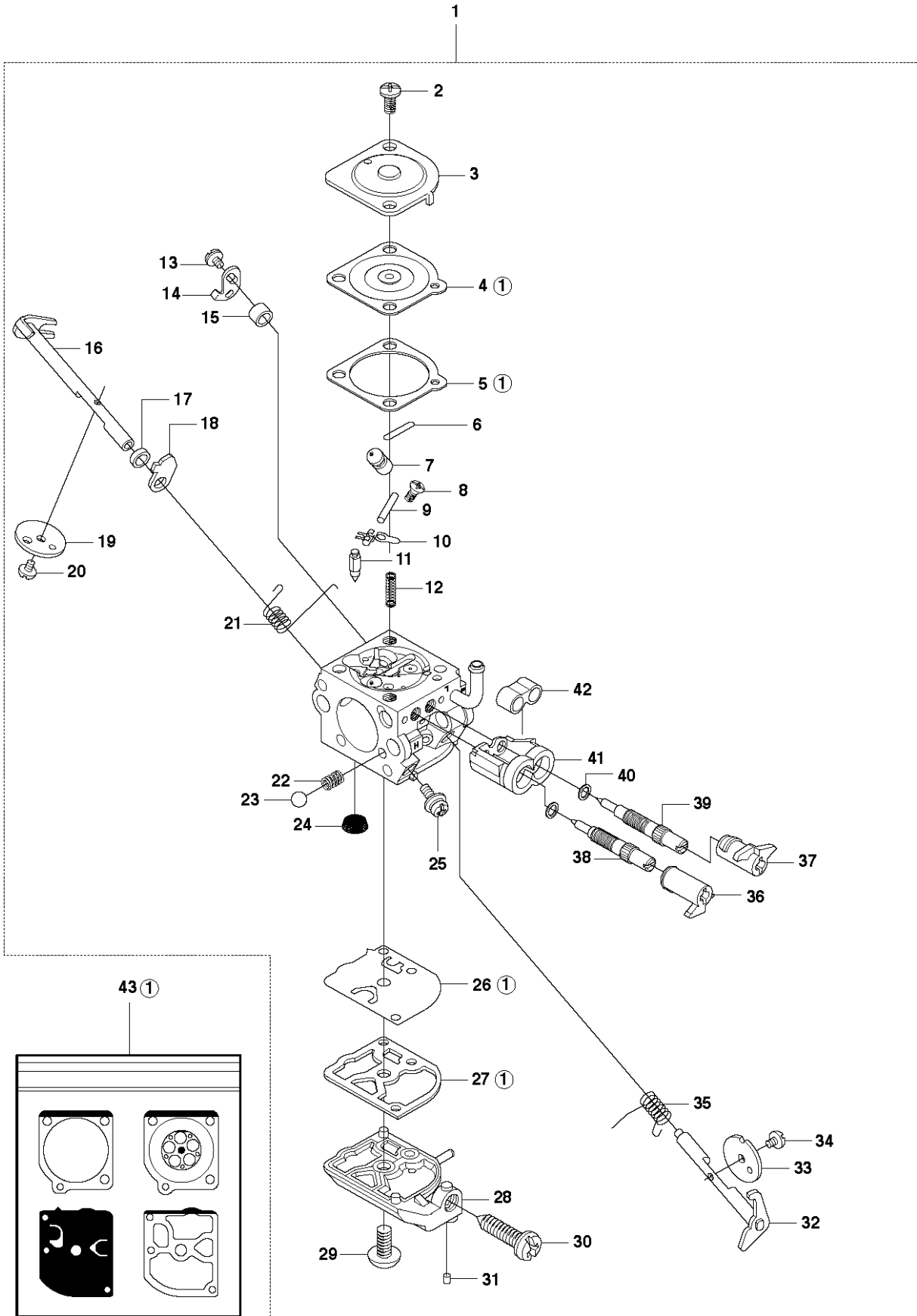
BEVEL GEAR

FC2145 S, 2010-09

| Ref | Part No | Description | Remark | QTY KIT | |
|-----|--------------|-------------------|--------------|---------|---|
| 1 | 502 29 78-01 | GEAR HOUSING ASSY | FC, FCS, FCW | 1 | |
| 2 | 738 21 01-10 | BALL BEARING | | 1 | 1 |
| 3 | 503 25 08-01 | BEARING | | 1 | 1 |
| 4 | 503 26 17-01 | SEALING | | 1 | 1 |
| 5 | 503 75 89-01 | COVER WASHER | | 1 | 1 |
| 6 | 735 31 33-10 | CIRCLIP | | 1 | 1 |
| 7 | 544 19 78-01 | DRIVER | 1" | 1 | |
| 8 | 544 21 78-01 | SUPPORT FLANGE | | 1 | |
| 9 | 502 29 11-01 | NUT BLADE | | 1 | |
| 10 | 503 20 03-16 | SCREW IHSCFM | | 4 | |
| 11 | 503 20 15-01 | SCREW IHHM | | 1 | 1 |
| 12 | 503 20 02-25 | SCREW IHSCFM | | 2 | 1 |
| 13 | 738 21 87-12 | BALL BEARING | | 2 | 1 |
| 14 | 735 31 17-00 | CIRCLIP | | 1 | 1 |
| 15 | 735 31 31-10 | CIRCLIP | | 1 | 1 |
| 16 | 502 29 79-01 | GEAR HOUSING | | 1 | 1 |
| 17 | 537 29 06-01 | SP PARTS KIT | | 1 | 1 |

R 2145
CARBURETOR

Zama C1Q-EL21

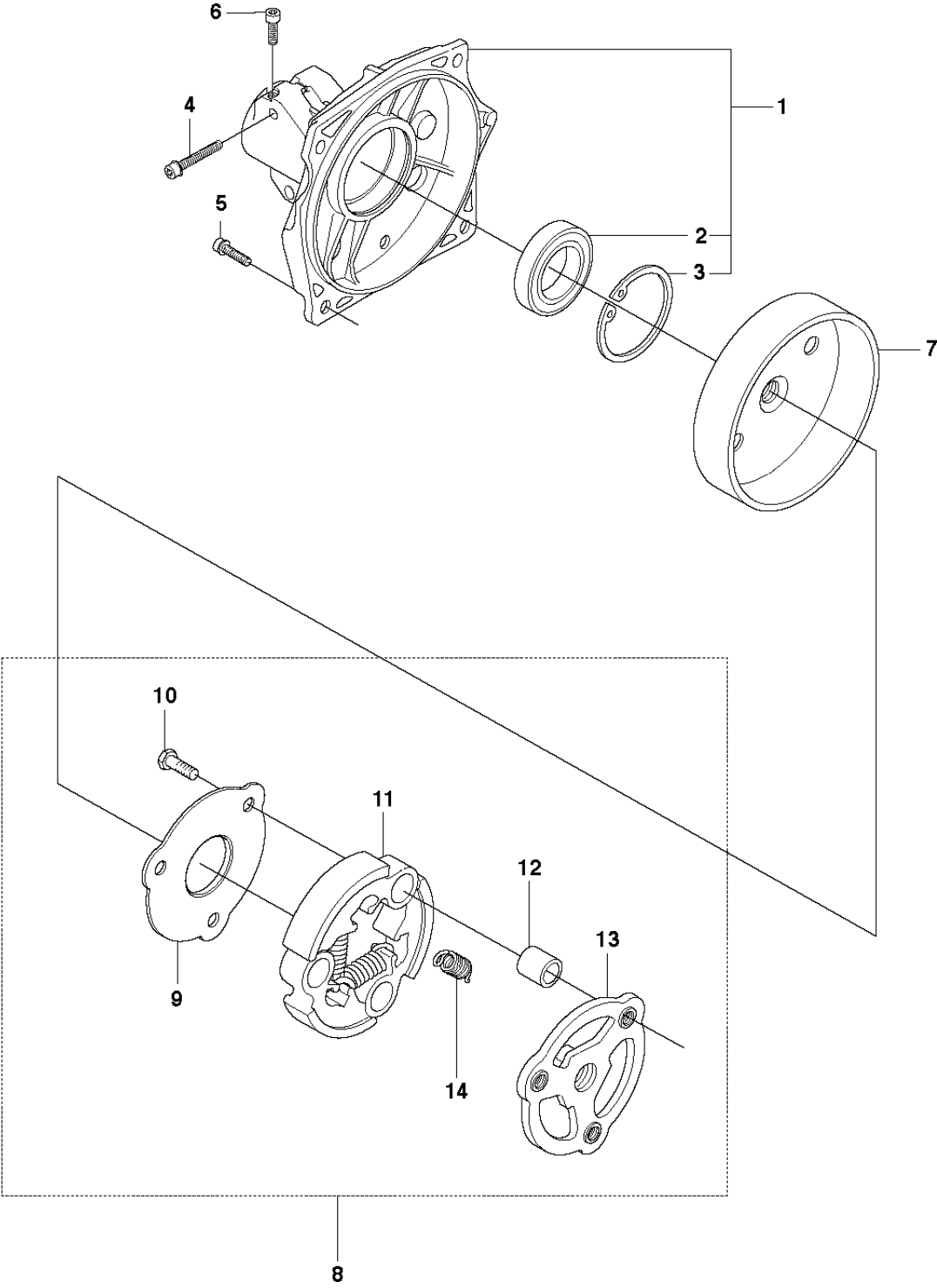


CARBURETOR

FC2145 S, 2010-09

| Ref | Part No | Description | Remark | QTY | KIT |
|-----|--------------|---------------------|--------------------|-----|-----|
| 1 | 503 28 31-16 | CARBURETTOR | Zama C1Q-EL21 | 1 | |
| 2 | 503 48 05-01 | SCREW | | 2 | 1 |
| 3 | 503 97 43-01 | COVER | | 1 | 1 |
| 4 | 503 48 02-01 | DIAPHRAGM | Part of Gasket kit | 1 | 1 |
| 5 | 503 48 03-01 | GASKET | Part of Gasket kit | 1 | 1 |
| 6 | 503 53 56-01 | PLUG WELCH | | 1 | 1 |
| 7 | 544 11 49-01 | NOZZLE ASSY | | 1 | 1 |
| 8 | 503 48 01-01 | SCREW | | 1 | 1 |
| 9 | 503 48 00-01 | PIN RETAINING SCREW | | 1 | 1 |
| 10 | 503 66 59-01 | LEVER | | 1 | 1 |
| 11 | 503 47 97-01 | VALVE | | 1 | 1 |
| 12 | 537 02 03-01 | SPRING | | 1 | 1 |
| 13 | 503 47 90-01 | SCREW | | 1 | 1 |
| 14 | 537 01 98-01 | LEVER | | 1 | 1 |
| 15 | 503 47 89-01 | COLLAR | | 1 | 1 |
| 16 | 537 02 09-01 | SHAFT ASSY | | 1 | 1 |
| 17 | 503 48 19-01 | COLLAR | | 1 | 1 |
| 18 | 537 04 90-01 | LEVER | | 1 | 1 |
| 19 | 537 02 11-01 | VALVE | | 1 | 1 |
| 20 | 503 48 18-01 | SCREW | | 1 | 1 |
| 21 | 537 02 10-01 | SPRING | | 1 | 1 |
| 22 | 537 01 26-01 | SPRING | | 1 | 1 |
| 23 | 537 01 25-01 | BALL | | 1 | 1 |
| 24 | 503 53 57-01 | STRAINER | | 1 | 1 |
| 25 | 503 75 53-01 | SCREW | | 1 | 1 |
| 26 | 537 02 00-01 | DIAPHRAGM PUMP | Part of Gasket kit | 1 | 1 |
| 27 | 537 02 01-01 | GASKET | Part of Gasket kit | 1 | 1 |
| 28 | 537 02 02-01 | COVER | | 1 | 1 |
| 29 | 503 47 96-01 | SCREW | | 1 | 1 |
| 30 | 537 02 07-01 | SCREW | | 1 | 1 |
| 31 | 503 48 11-01 | PIECE | | 1 | 1 |
| 32 | 537 27 54-01 | SHAFT ASSY | | 1 | 1 |
| 33 | 537 38 68-01 | VALVE | | 1 | 1 |
| 34 | 503 47 92-01 | SCREW | | 1 | 1 |
| 35 | 537 28 71-01 | SPRING | | 1 | 1 |
| 36 | 503 90 33-01 | LIMITER CAP | H | 1 | 1 |
| 37 | 503 90 32-01 | LIMITER CAP | L | 1 | 1 |
| 38 | 537 27 56-01 | SCREW | H | 1 | 1 |
| 39 | 537 27 55-01 | SCREW | L | 1 | 1 |
| 40 | 503 97 40-01 | WASHER | | 2 | 1 |
| 41 | 503 90 34-01 | RETAINER | | 1 | 1 |
| 42 | 537 27 42-01 | BOOT | | 1 | 1 |
| 43 | 537 24 36-01 | GASKET KIT | Gasket Kit | 1 | |

N 2145
CLUTCH

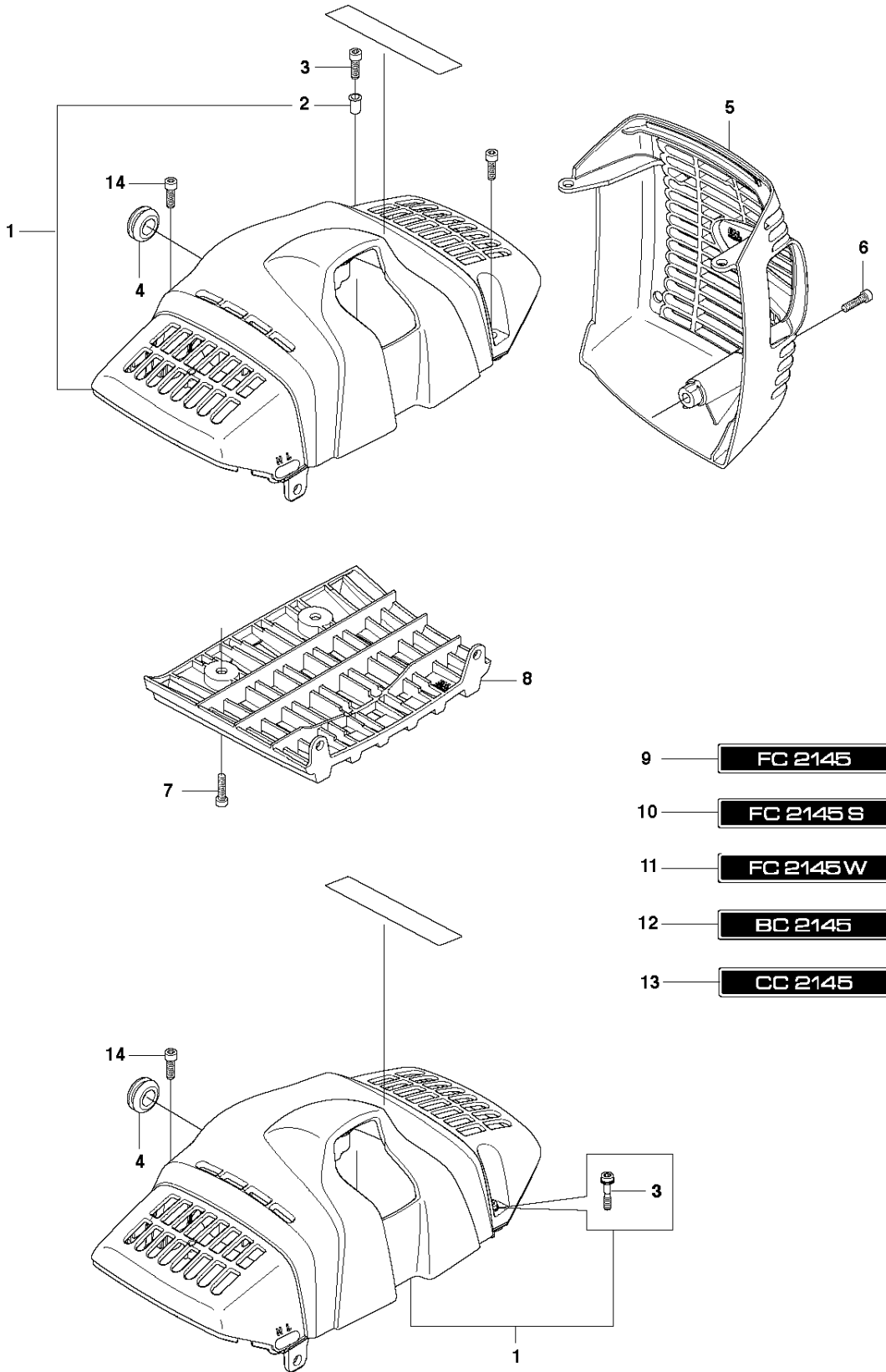


CLUTCH

FC2145 S, 2010-09

| Ref | Part No | Description | Remark | QTY | KIT |
|-----|--------------|------------------|--------|-----|-----|
| 1 | 503 95 41-03 | CLUTCH COVER | | 1 | |
| 2 | 738 22 02-19 | BALL BEARING | | 1 | 1 |
| 3 | 735 31 33-10 | CIRCLIP | | 1 | 1 |
| 4 | 503 20 02-30 | SCREW IHSCFM | | 2 | |
| 5 | 503 20 02-20 | SCREW IHSCFM | | 4 | |
| 6 | 503 20 20-01 | SCREW IHSCM | | 1 | |
| 7 | 544 90 07-01 | CLUTCH DRUM ASSY | | 1 | |
| 8 | 503 95 35-01 | CLUTCH ASSY | | 1 | |
| 9 | 537 13 53-01 | WASHER | | 1 | 8 |
| 10 | 503 20 18-18 | SCREW EHHM | | 3 | 8 |
| 11 | 503 95 36-01 | CLUTCH SHOE | | 3 | 8 |
| 12 | 537 13 54-01 | BEARING BUSH | | 3 | 8 |
| 13 | 503 95 37-01 | CLUTCH HUB | | 1 | 8 |
| 14 | 505 43 53-01 | CLUTCH SPRING | | 3 | 8 |

G 2145
COVERS

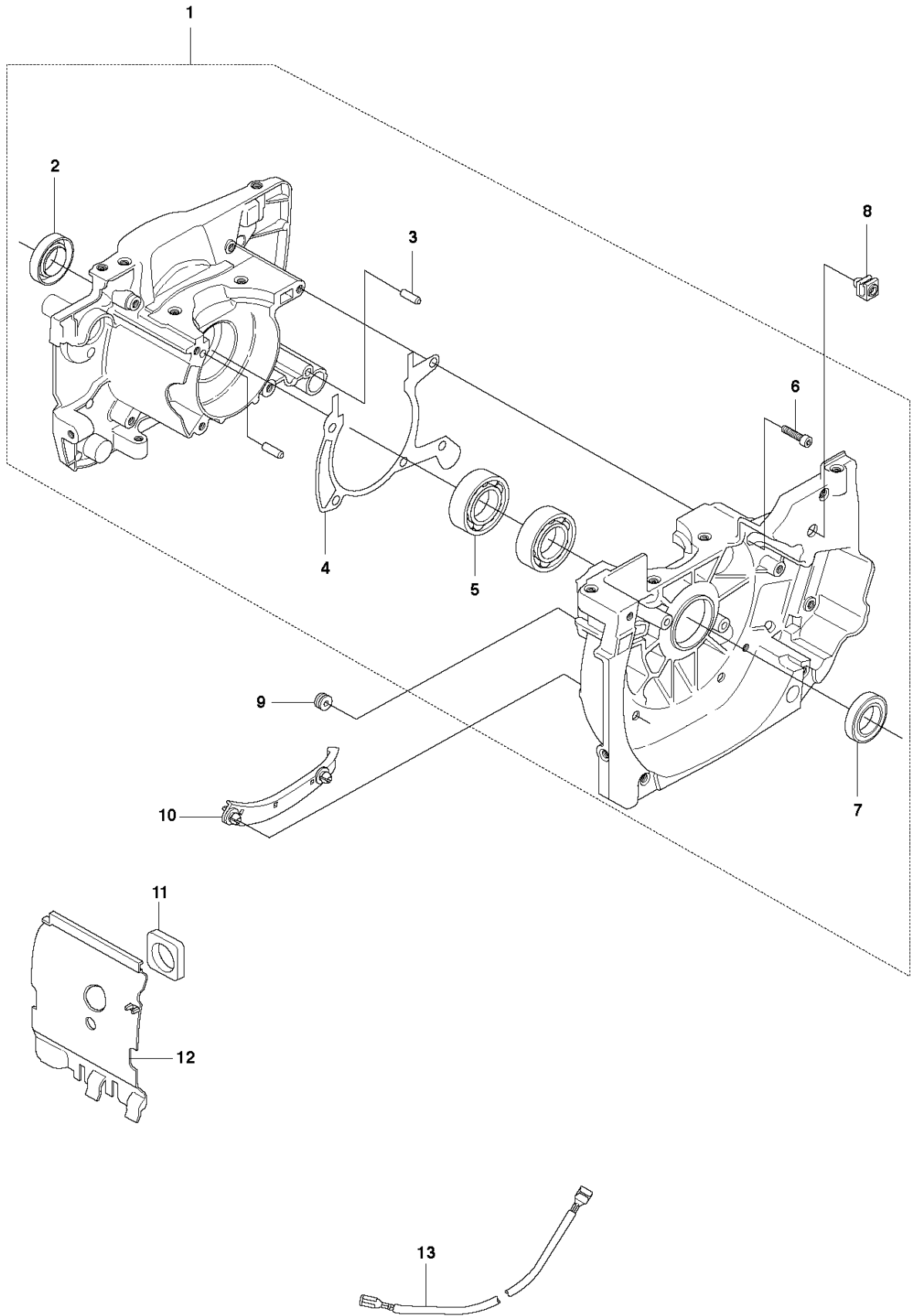


COVER

FC2145 S, 2010-09

| Ref | Part No | Description | Remark | QTY KIT |
|-----|--------------|---------------------|-------------|---------|
| 1 | 544 45 73-01 | CYLINDER COVER ASSY | | |
| 1 | 575 58 15-01 | CYLINDER COVER ASSY | Screw incl. | |
| 2 | 537 44 45-03 | TUBULAR RIVET | | 1 |
| 3 | 503 20 03-02 | SCREW IHSCFM | | |
| 3 | 574 47 70-04 | SCREW IHSCFMO | Fixed | 1 |
| 4 | 537 37 68-01 | PLUG | | |
| 5 | 537 26 00-01 | HEAT PROTECTOR | | |
| 6 | 503 20 03-02 | SCREW IHSCFM | | |
| 7 | 503 20 03-02 | SCREW IHSCFM | | |
| 8 | 537 26 01-02 | PROTECTIVE COVER | | |
| 9 | 537 37 57-02 | LABEL | FC | |
| 10 | 537 37 57-01 | LABEL | FCS | |
| 11 | 537 37 57-04 | LABEL | FCW | |
| 12 | 537 37 57-03 | LABEL | BC | |
| 13 | 537 37 57-05 | LABEL | CC | |
| 14 | 725 53 33-65 | SCREW IHSCM | | |

Q 2145
CRANK CASE

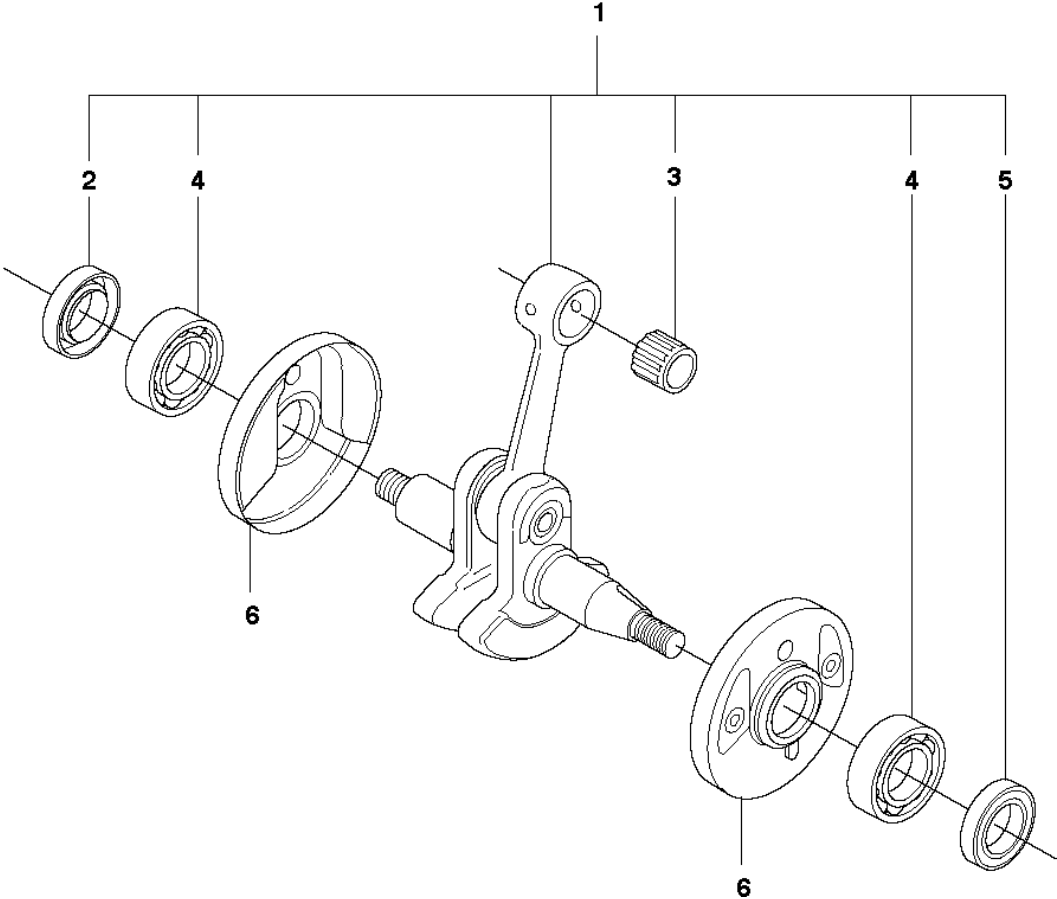


CRANKCASE

FC2145 S, 2010-09

| Ref | Part No | Description | Remark | QTY | KIT |
|-----|--------------|---------------------|--------------|-----|-----|
| 1 | 537 23 04-01 | CRANKCASE | | 1 | |
| 2 | 503 26 02-04 | SEALING RING | | 1 | 1 |
| 3 | 720 13 07-10 | PARALLEL PIN | | 2 | 1 |
| 4 | 503 94 80-01 | GASKET | | 1 | 1 |
| 5 | 738 22 02-25 | BALL BEARING | | 2 | 1 |
| 6 | 725 53 31-55 | SCREW IHSCM | | 4 | 1 |
| 7 | 505 27 57-19 | SEALING RING | | 1 | 1 |
| 8 | 502 08 96-01 | CABLE HOLDER | | 1 | |
| 9 | 503 73 58-01 | BUSHING | | 1 | |
| 10 | 537 28 05-01 | CABLE HOLDER | | 1 | |
| 11 | 537 30 94-01 | SEALING | FC, FCS, FCW | 1 | |
| 12 | 537 27 94-01 | WALL | BC, CC | 1 | |
| 12 | 537 30 99-01 | WALL | FC, FCS, FCW | 1 | |
| 13 | 537 39 10-01 | SHORT CIRCUIT CABLE | | 1 | |

P FC2145/W/S
CRANK SHAFT

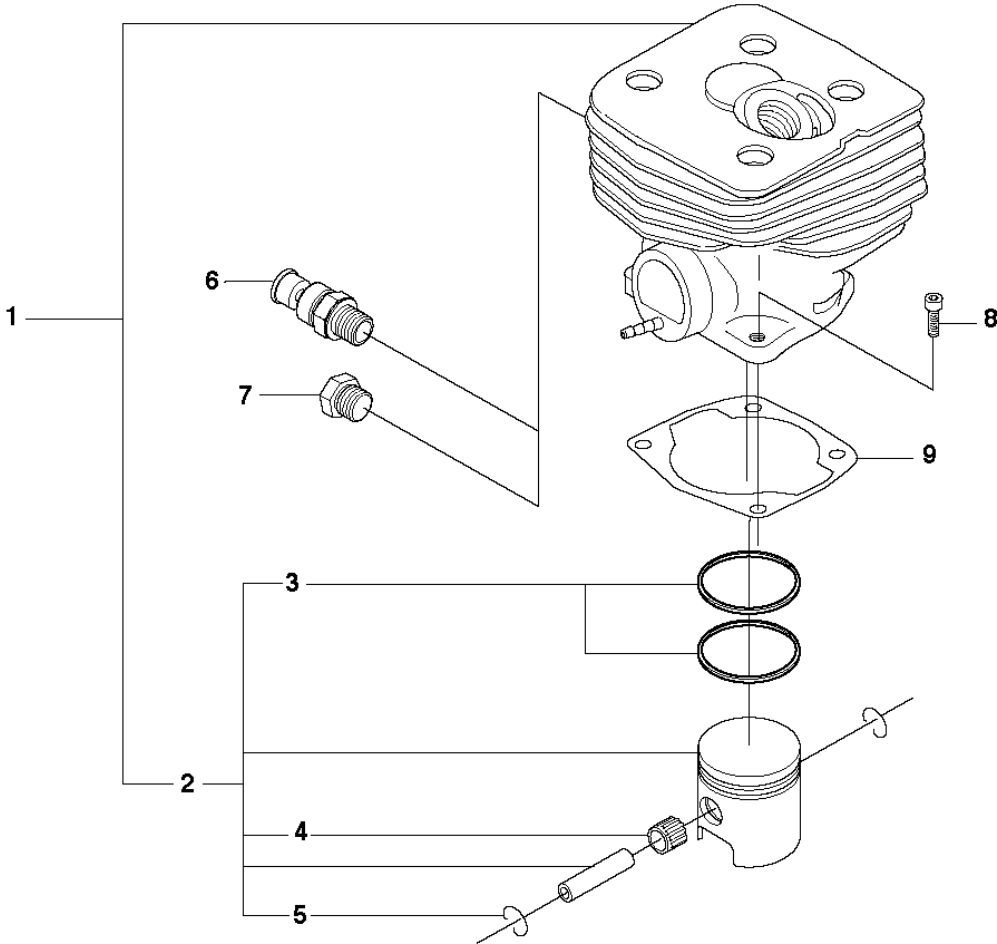


CRANKSHAFT

FC2145 S, 2010-09

| Ref | Part No | Description | Remark | QTY | KIT |
|-----|--------------|----------------|----------|-----|-----|
| 1 | 537 18 97-02 | CRANKSHAFT | | 1 | |
| 2 | 503 26 02-04 | SEALING RING | | 1 | 1 |
| 3 | 501 45 16-01 | NEEDLE BEARING | | 1 | 1 |
| 4 | 738 22 02-25 | BALL BEARING | | 2 | 1 |
| 5 | 505 27 57-19 | SEALING RING | | 1 | 1 |
| 6 | 537 15 85-01 | CUP | FCS, FCW | 2 | |

M 2145
CYLINDER & PISTON

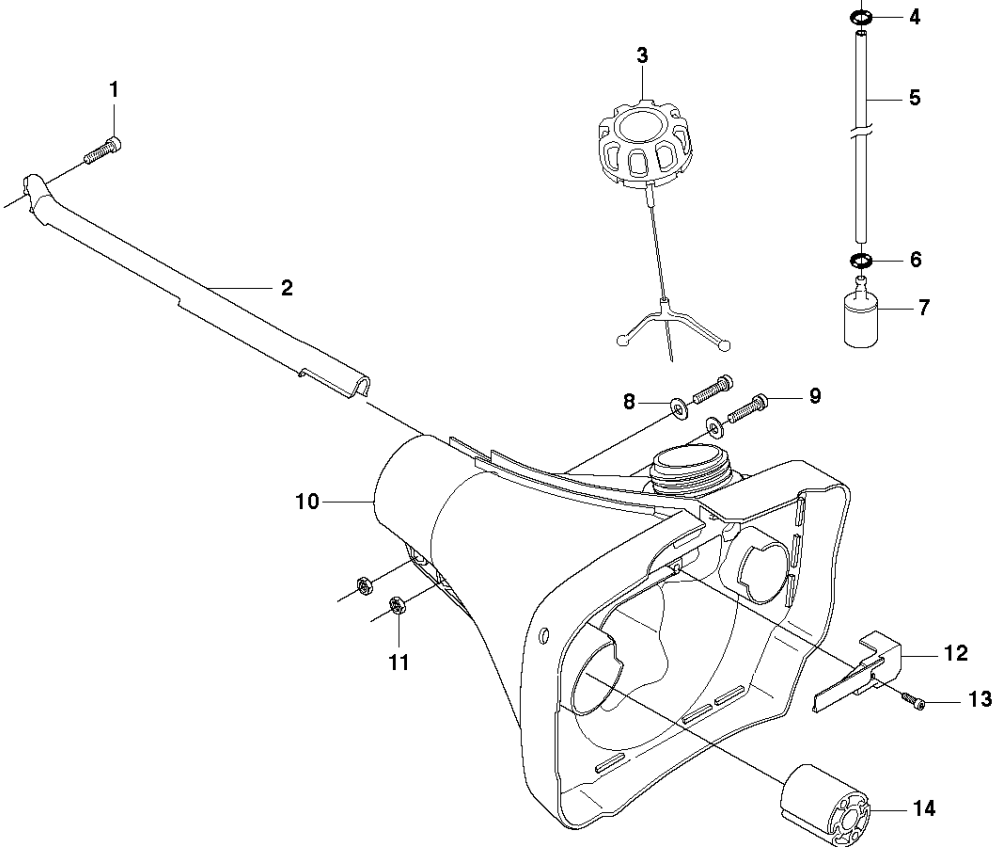


CYLINDER PISTON

FC2145 S, 2010-09

| Ref | Part No | Description | Remark | QTY | KIT |
|-----|--------------|---------------------|-----------------------|-----|-----|
| 1 | 503 95 64-02 | CYLINDER ASSY | FCS, FCW ø41mm 43cc | 1 | |
| 1 | 505 03 48-04 | CYLINDER ASSY | BC, FC, CC ø42mm 45cc | 1 | |
| 2 | 537 15 94-02 | PISTON ASSY | ø41mm 43cc | 1 | 1 |
| 2 | 544 09 30-02 | PISTON ASSY | ø42mm 45cc | 1 | 1 |
| 3 | 503 28 90-45 | PISTON RING | ø41 | 1 | 1,2 |
| 3 | 506 44 94-01 | PISTON RING | ø42 | 1 | 1,2 |
| 4 | 501 45 16-01 | NEEDLE BEARING | | 1 | 1,2 |
| 5 | 737 44 10-00 | SNAP RING | | 2 | 1,2 |
| 6 | 503 66 54-01 | DECOMPRESSION VALVE | BC, CC, FCS, FCW | 1 | |
| 7 | 503 55 22-01 | PLUG | FC | 1 | |
| 8 | 725 53 31-55 | SCREW IHSCM | | 4 | |
| 9 | 503 95 27-01 | GASKET | | 1 | |

D 2145
FUEL TANK



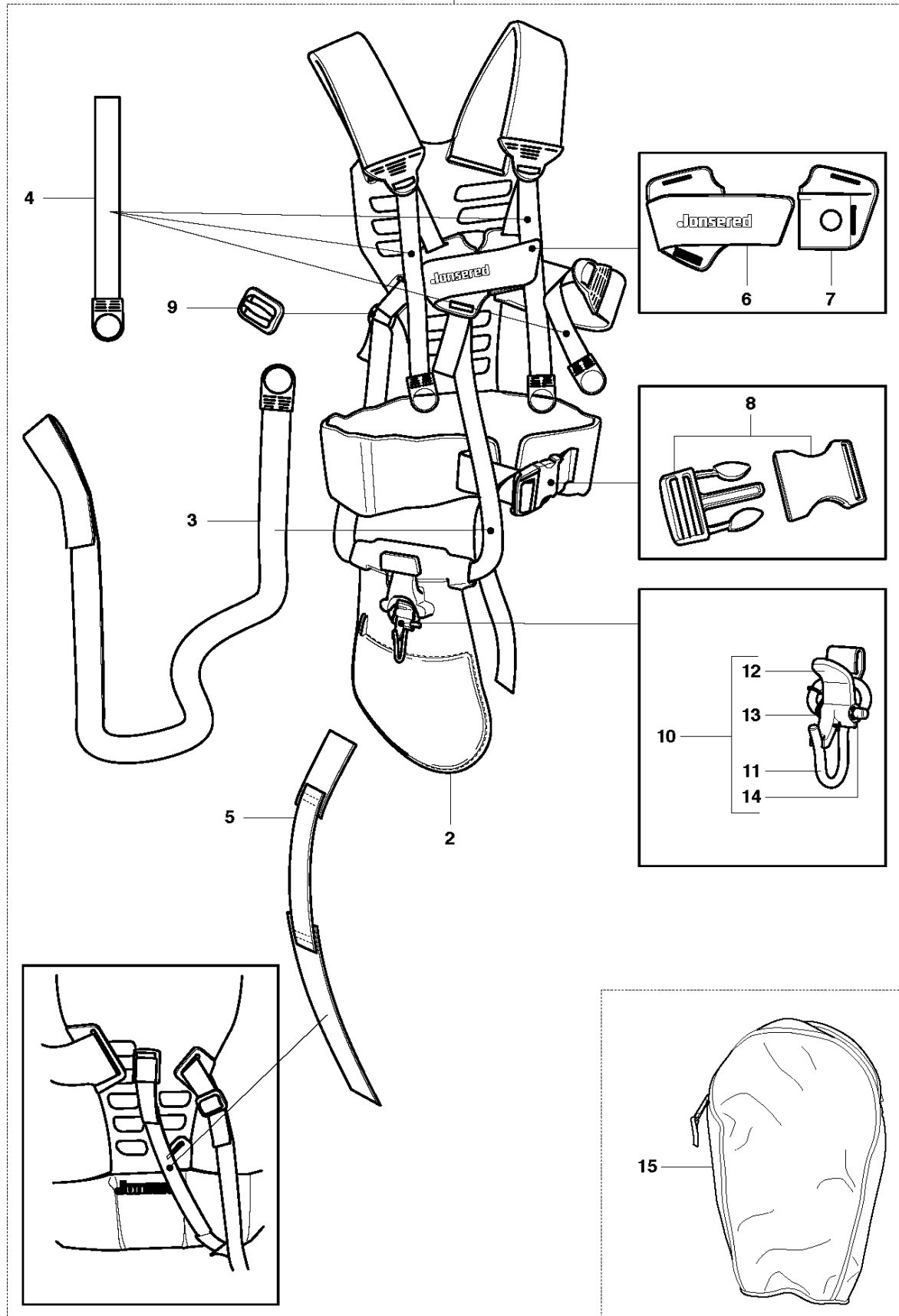
FUEL TANK

FC2145 S, 2010-09

| Ref | Part No | Description | Remark | QTY KIT |
|-----|--------------|-----------------------|------------------|---------|
| 1 | 503 20 02-16 | SCREW IHSCFM | | 1 |
| 2 | 537 17 25-04 | COVER | FC, FCS, FCW, CC | 1 |
| 2 | 537 17 25-03 | COVER | BC | 1 |
| 3 | 544 07 69-02 | TANK CAP | | 1 |
| 4 | 537 18 49-01 | O-RING | | 1 |
| 5 | 544 32 49-33 | FUEL HOSE | | 1 |
| 6 | 537 18 49-01 | O-RING | | 1 |
| 7 | 503 44 32-01 | FILTER | | 1 |
| 8 | 503 23 00-11 | WASHER | | 2 |
| 9 | 503 20 02-16 | SCREW IHSCFM | | 2 |
| 10 | 503 94 93-02 | FUEL TANK | | 1 |
| 11 | 503 22 10-12 | HEXAGON NUT | | 2 |
| 12 | 537 21 99-01 | HOSE GUARD | | 1 |
| 13 | 503 21 71-16 | SCREW IHST | | 1 |
| 14 | 503 95 61-01 | ANTIVIBRATION ELEMENT | | 2 |

T1 2145
HARNESS

Vector 3-55



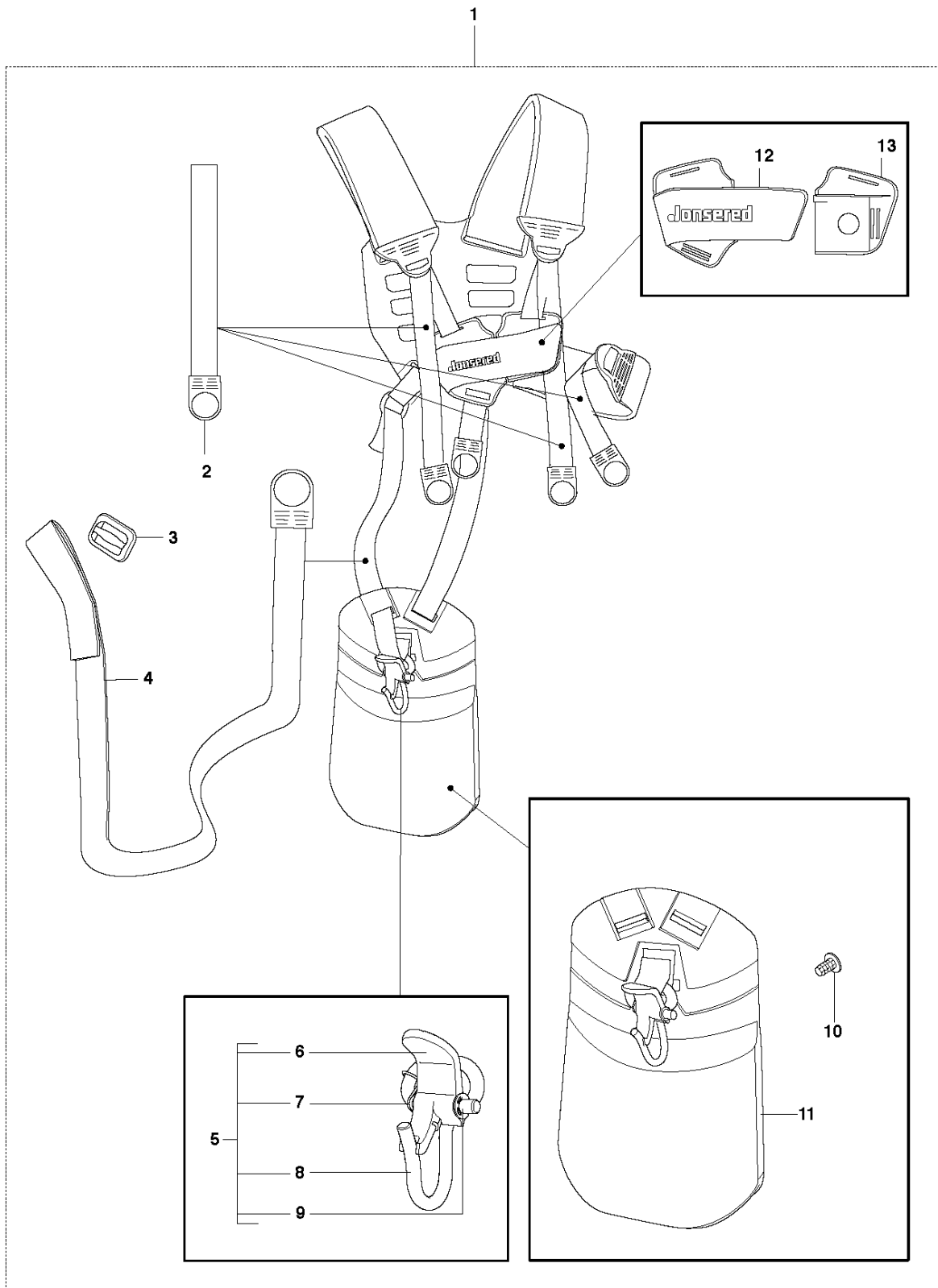
HARNESS

FC2145 S, 2010-09

| Ref | Part No | Description | Remark | QTY | KIT |
|-----|--------------|-------------|----------------------|-----|-------|
| 1 | 504 04 53-01 | HARNESS | BC, FCS, FCW | 1 | |
| 1 | 505 40 63-01 | HARNESS | US | 1 | 1 |
| 2 | 544 90 17-02 | HIP PAD | | 1 | 1 |
| 3 | 503 99 61-05 | BAND | | 1 | 1 |
| 4 | 503 99 61-01 | HARNESS | | 3 | 1 |
| 5 | 537 15 35-02 | STRAP | | 1 | 1 |
| 6 | 537 27 70-01 | FRONT PIECE | | 1 | 1 |
| 7 | 537 27 69-01 | FRONT PIECE | | 1 | 1 |
| 8 | 537 33 15-01 | HARNESS | | 1 | 1 |
| 9 | 537 11 35-01 | RETAINER | | 1 | 1 |
| 10 | 544 96 07-02 | HARNESS | | 1 | 1 |
| 11 | 502 02 29-02 | HARNESS | | 1 | 1, 10 |
| 12 | 502 02 30-02 | HARNESS | | 1 | 1, 10 |
| 13 | 502 02 38-01 | HARNESS | | 1 | 1, 10 |
| 14 | 735 31 09-20 | HARNESS | | 1 | 1, 10 |
| 15 | 537 30 66-01 | BAG | Vector 3-55 Tool bag | 1 | |

T2 2145
HARNESSES

Vector 2-55, 2-35

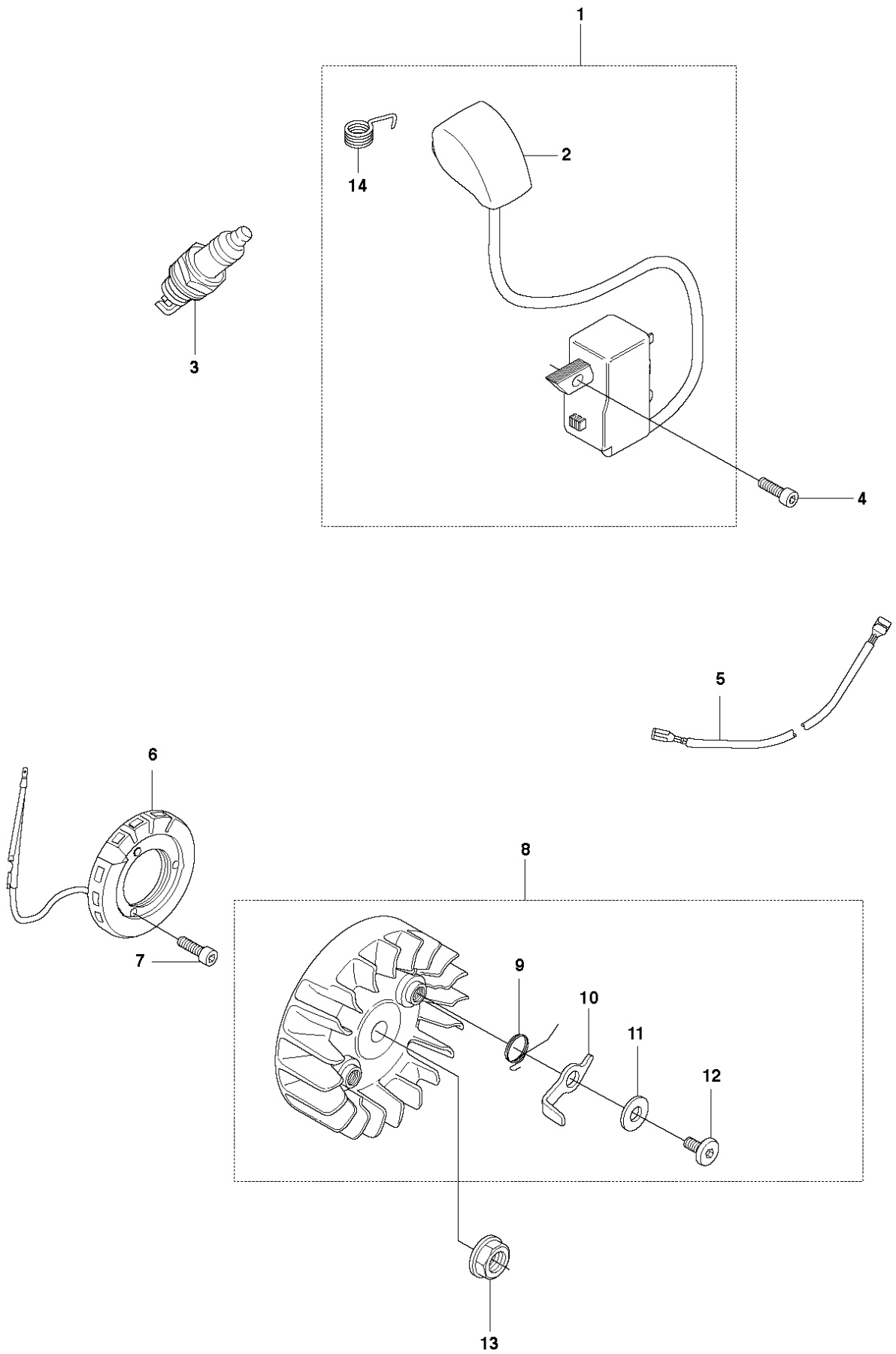


HARNESS

FC2145 S, 2010-09

| Ref | Part No | Description | Remark | QTY KIT | |
|-----|--------------|-------------|--------|---------|-----|
| 1 | 537 27 58-01 | HARNESS | FC, CC | 1 | |
| 1 | 537 27 58-03 | HARNESS | US | 1 | |
| 2 | 503 99 61-01 | HARNESS | | 3 | 1 |
| 3 | 537 11 35-01 | RETAINER | | 1 | 1 |
| 4 | 503 99 61-03 | BAND | | 1 | 1 |
| 5 | 502 02 28-01 | HARNESS | | 1 | 1 |
| 6 | 502 02 30-02 | HARNESS | | 1 | 1,5 |
| 7 | 502 02 38-01 | HARNESS | | 1 | 1,5 |
| 8 | 502 02 29-02 | HARNESS | | 1 | 1,5 |
| 9 | 735 31 09-20 | HARNESS | | 1 | 1,5 |
| 10 | 537 17 54-01 | HARNESS | | 3 | 1 |
| 11 | 537 27 59-02 | HIP PAD | | 1 | 1 |
| 12 | 537 27 70-01 | FRONT PIECE | | 1 | 1 |
| 13 | 537 27 69-01 | FRONT PIECE | | 1 | 1 |

L 2145
IGNITION

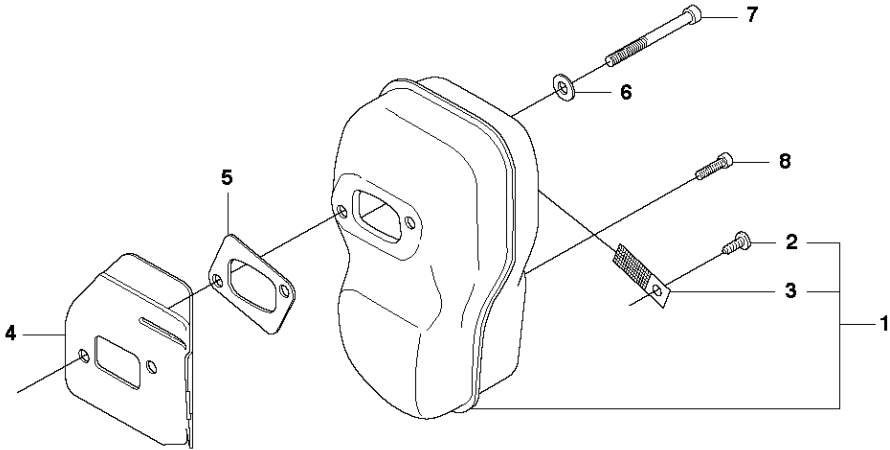


IGNITION SYSTEM

FC2145 S, 2010-09

| Ref | Part No | Description | Remark | QTY | KIT |
|-----|--------------|---------------------|-----------------|-----|-----|
| 1 | 501 00 13-01 | IGNITION MODULE | FC, FCS, FCW | 1 | |
| 1 | 501 00 13-02 | IGNITION MODULE | BC, CC | 1 | |
| 2 | 537 42 80-01 | SPARK PLUG CAP | | 1 | 1 |
| 3 | 503 23 51-09 | SPARK PLUG | Champion RCJ 6Y | 1 | |
| 4 | 503 20 25-16 | SCREW IHSCM | | 2 | |
| 5 | 537 39 10-01 | SHORT CIRCUIT CABLE | | 1 | |
| 6 | 537 25 63-01 | GENERATOR STATOR | FCW | 1 | |
| 7 | 503 21 66-18 | SCREW IHST | FCW | 2 | |
| 8 | 503 95 33-01 | FLYWHEEL | BC, CC, FC, FCS | 1 | |
| 8 | 503 95 33-02 | FLYWHEEL | FCW | 1 | |
| 9 | 503 81 29-01 | SPRING | | 2 | 8 |
| 10 | 503 81 24-01 | STARTER PAWL | | 2 | 8 |
| 11 | 503 23 00-42 | WASHER | | 2 | 8 |
| 12 | 501 81 99-03 | SCREW | | 2 | 8 |
| 13 | 503 22 04-01 | NUT | | 1 | |
| 14 | 501 48 56-01 | CONTACT SPRING | | 1 | 1 |

H 2145
MUFFLER

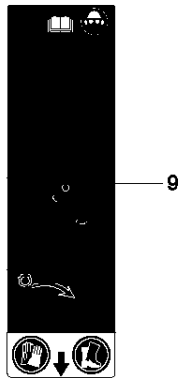
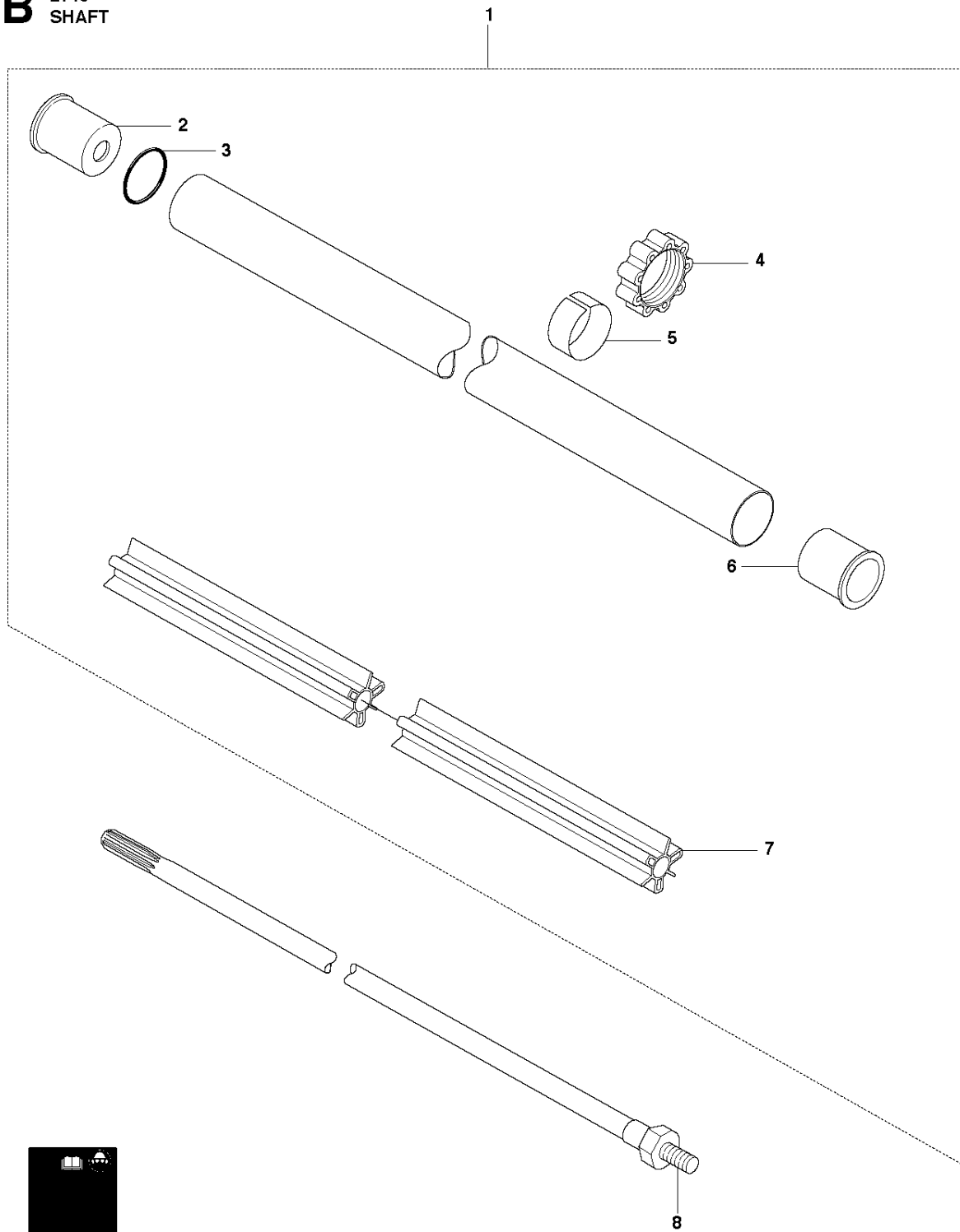


MUFFLER

FC2145 S, 2010-09

| Ref | Part No | Description | Remark | QTY | KIT |
|-----|--------------|-----------------------|--------|-----|-----|
| 1 | 503 94 90-01 | MUFFLER ASSY | CAT | 1 | |
| 1 | 503 94 90-02 | MUFFLER ASSY | | 1 | |
| 2 | 724 12 87-59 | SCREW CRPANM | | 1 | 1 |
| 3 | 537 27 09-01 | SPARK ARRESTER SCREEN | | 1 | 1 |
| 4 | 537 22 85-01 | HEAT DEFLECTOR | | 1 | |
| 5 | 537 19 87-01 | GASKET | | 1 | |
| 6 | 503 23 04-02 | WASHER | | 2 | |
| 7 | 503 20 29-70 | SCREW IHSCFM | | 2 | |
| 8 | 503 20 03-02 | SCREW IHSCFM | | 1 | |

B 2145
SHAFT

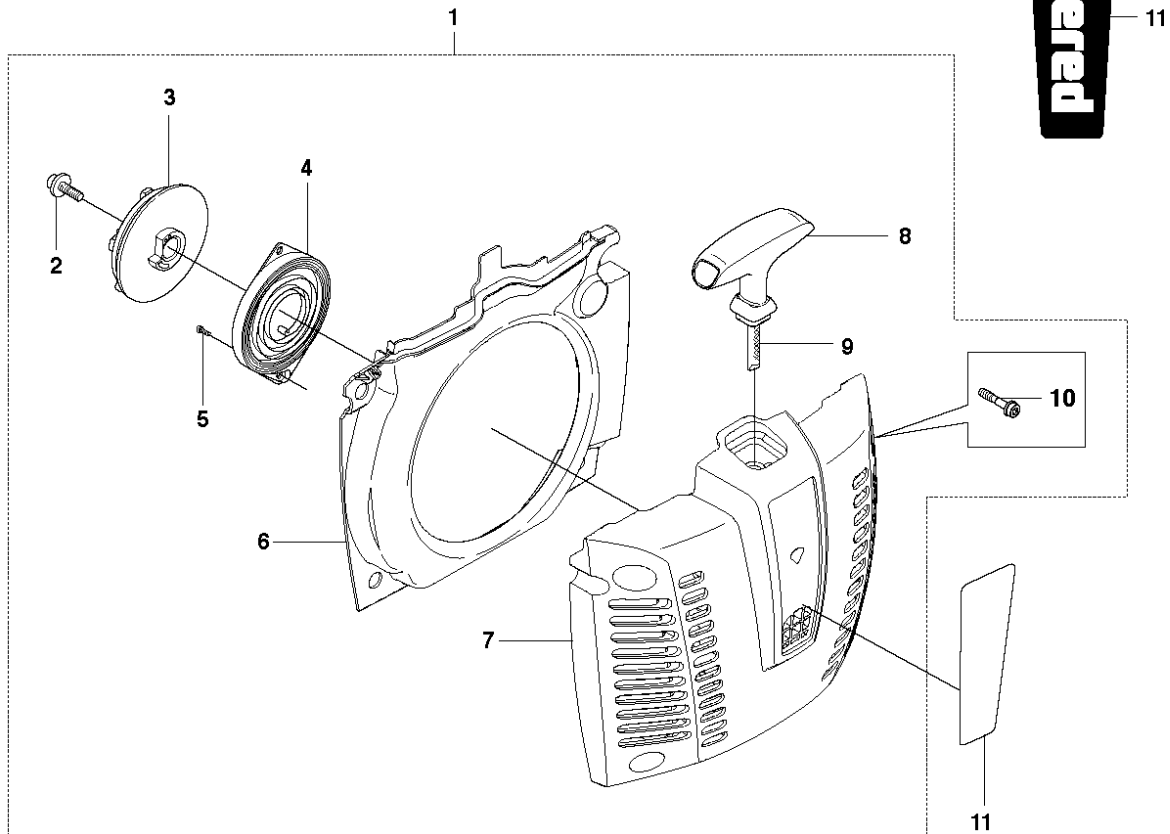
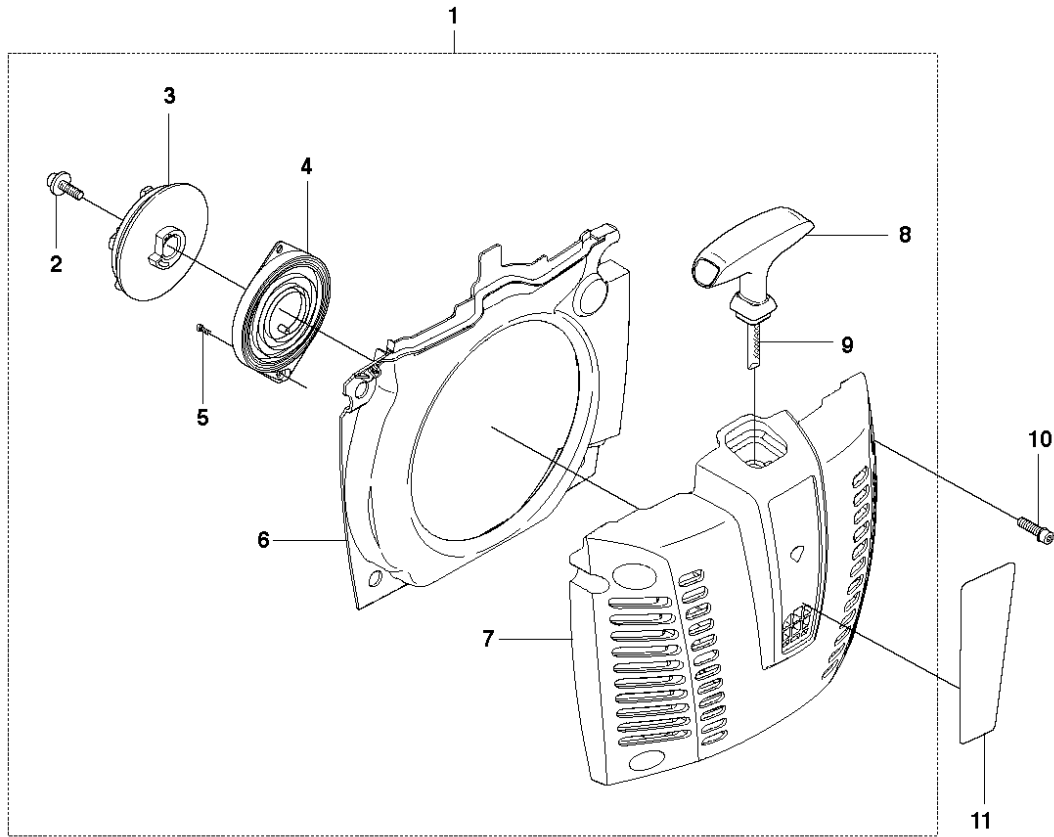


SHAFT

FC2145 S, 2010-09

| Ref | Part No | Description | Remark | QTY KIT | |
|-----|--------------|-----------------------|-----------------------|---------|---|
| 1 | 537 27 92-03 | TUBE | FC, FCS, FCW | 1 | |
| 1 | 537 27 92-08 | TUBE | BC | 1 | |
| 1 | 537 27 92-10 | TUBE | CC | 1 | |
| 2 | 544 02 94-01 | SPACER | | 1 | 1 |
| 3 | 506 11 03-01 | O-RING | | 1 | 1 |
| 4 | 537 30 98-01 | ANTIVIBRATION ELEMENT | | 1 | 1 |
| 5 | 537 30 97-01 | TAPE | | 1 | 1 |
| 6 | 544 02 94-01 | SPACER | FC, FCS, FCW, CC | 1 | 1 |
| 7 | 537 18 31-04 | GUIDE | FC, FCS, FCW, BC | 1 | 1 |
| 7 | 537 18 31-05 | GUIDE | CC | 1 | 1 |
| 8 | 503 95 54-01 | DRIVE SHAFT | FC, FCS, FCW Hollowed | 1 | |
| 8 | 503 95 54-02 | DRIVE SHAFT | BC Hollowed | 1 | |
| 8 | 503 92 44-01 | DRIVE SHAFT | FC, FCS, FCW Solid | 1 | |
| 8 | 503 92 44-02 | DRIVE SHAFT | BC Solid | 1 | |
| 8 | 503 92 44-03 | DRIVE SHAFT | CC | 1 | |
| 9 | 537 29 47-07 | LABEL | | 1 | |
| 9 | 537 29 47-03 | LABEL | FC, FCS, FCW | 1 | |

K 2145
STARTER

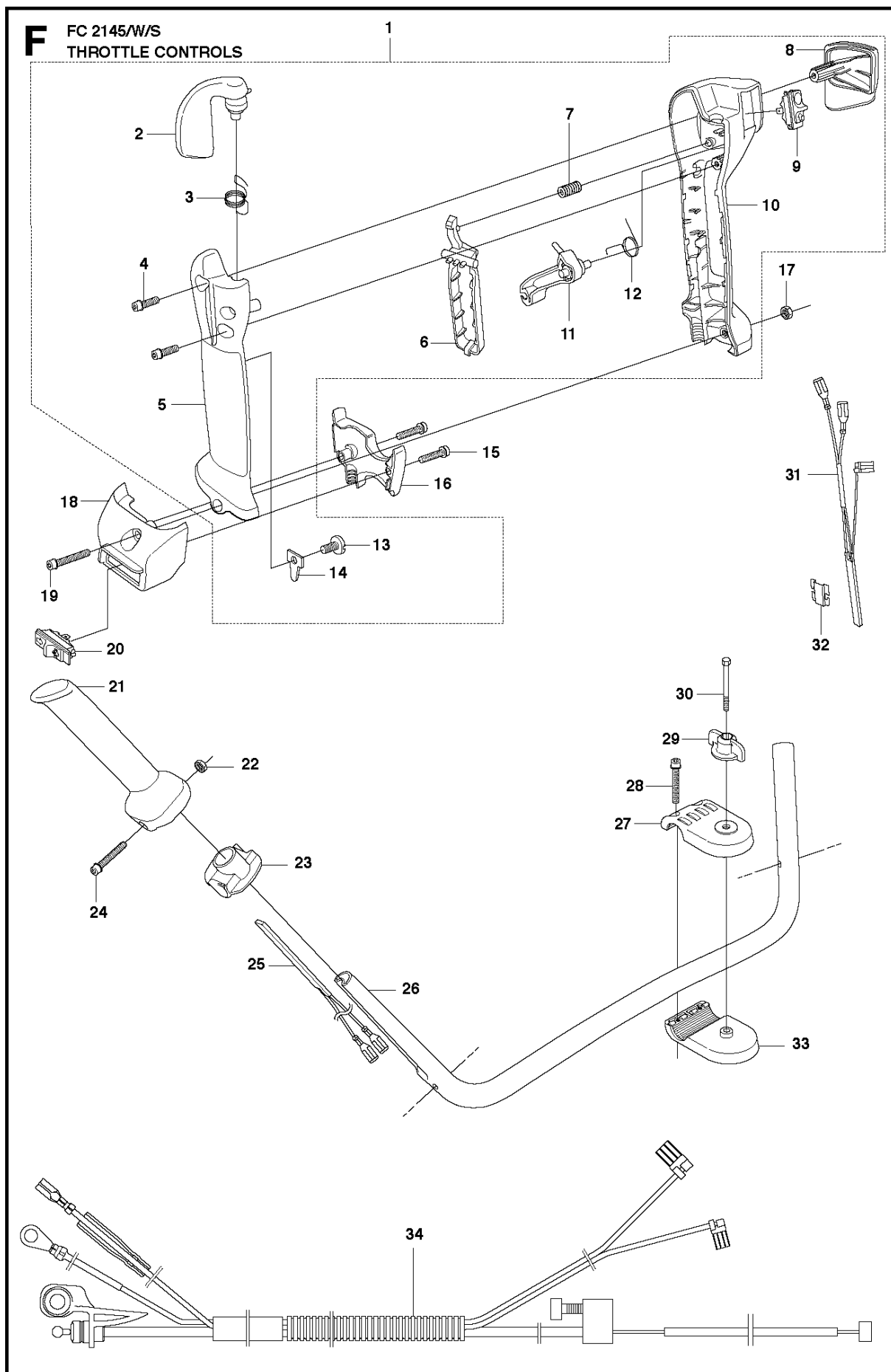


11

STARTER

FC2145 S, 2010-09

| Ref | Part No | Description | Remark | QTY | KIT |
|-----|--------------|----------------------|-------------|-----|------|
| 1 | 537 25 93-02 | STARTER | | 1 | |
| 1 | 575 58 18-01 | STARTER ASSY | Screw incl. | 1 | |
| 2 | 503 21 69-16 | SCREW IHSC T | | 1 | 1 |
| 3 | 503 95 73-01 | STARTER PULLEY | | 1 | 1 |
| 4 | 502 20 06-01 | SPRING CASSETTE ASSY | | 1 | 1 |
| 5 | 503 21 29-06 | SCREW CCRPANT | | 2 | 1 |
| 6 | 537 25 90-01 | AIR CONDUCTOR | | 1 | 1 |
| 7 | 537 25 89-01 | STARTER HOUSING | | 1 | 1 |
| 7 | 575 58 17-01 | STARTER HOUSING | Screw incl. | 1 | 1 |
| 8 | 537 19 65-01 | STARTER HANDLE | | 1 | 1 |
| 9 | 505 30 51-25 | STARTER CORD | | 1 | 1 |
| 10 | 503 20 03-02 | SCREW IHSCFM | | 4 | |
| 10 | 574 47 70-03 | SCREW IHSCFMO | Fixed | 4 | 1, 7 |
| 11 | 537 37 58-01 | LABEL | | 1 | |



THROTTLE CONTROLS

FC2145 S, 2010-09

| Ref | Part No | Description | Remark | QTY | KIT |
|-----|--------------|----------------------|--------------|-----|-----|
| 1 | 537 19 72-14 | THROTTLE HANDLE | FC, FCS, FCW | 1 | |
| 2 | 537 26 34-02 | THROTTLE TRIGGER | | 1 | 1 |
| 3 | 537 28 37-01 | SPRING THROTTLE TRIG | | 1 | 1 |
| 4 | 503 21 75-20 | SCREW IHSCFT | | 2 | 1 |
| 5 | 537 15 53-05 | HANDLE HALF | | 1 | 1 |
| 6 | 537 15 56-02 | THROTTLE LOCKOUT | | 1 | 1 |
| 7 | 537 19 97-01 | SPRING | | 1 | 1 |
| 8 | 537 18 24-02 | COVER | | 1 | 1 |
| 9 | 537 41 90-01 | SWITCH | | 1 | 1 |
| 10 | 537 15 52-05 | HANDLE HALF | | 1 | 1 |
| 11 | 537 26 35-01 | THROTTLE LEVER | | 1 | 1 |
| 12 | 537 34 27-01 | SPRING | | 1 | 1 |
| 13 | 503 21 70-10 | SCREW CCRPANT | | 1 | 1 |
| 14 | 537 25 11-01 | SECURING PLATE | | 1 | 1 |
| 15 | 503 21 71-20 | SCREW IHSCFT | FCW | 2 | |
| 16 | 537 20 16-02 | RETAINER | FCW | 1 | |
| 17 | 731 23 14-05 | HEXAGON NUT | | 1 | |
| 18 | 537 20 15-02 | RETAINER | FCW | 1 | |
| 19 | 503 20 02-35 | SCREW IHSCFM | FC, FCS | 1 | |
| 19 | 503 20 02-45 | SCREW IHSCFM | FCW | 1 | |
| 20 | 503 71 82-02 | SWITCH | FCW | 1 | |
| 21 | 537 17 28-08 | HANDLE | FC, FCS, FCW | 1 | |
| 22 | 731 23 14-05 | HEXAGON NUT | | 1 | |
| 23 | 537 17 29-04 | BRACKET | | 1 | |
| 24 | 503 20 02-45 | SCREW IHSCFM | | 1 | |
| 25 | 537 22 72-01 | ELEMENT | FCW | 1 | |
| 26 | 503 95 86-01 | HANDLEBAR | FC, FCS | 1 | |
| 26 | 503 95 86-02 | HANDLEBAR | FCW | 1 | |
| 27 | 537 12 90-02 | HANDLEBAR BRACKET | | 1 | |
| 28 | 503 20 02-25 | SCREW IHSCFM | | 2 | |
| 29 | 502 21 93-01 | TURNING KNOB | | 1 | |
| 30 | 725 23 82-85 | SCREW EHHM | | 1 | |
| 31 | 537 22 71-01 | ELEMENT | FCW | 1 | |
| 32 | 537 26 51-01 | SECURING PLATE | FCW | 2 | |
| 33 | 537 12 91-02 | HANDLEBAR BRACKET | | 1 | |
| 34 | 504 53 86-02 | WIRING ASSY | FCW | 1 | |
| 34 | 505 16 55-01 | WIRING ASSY | FC, FCS | 1 | |