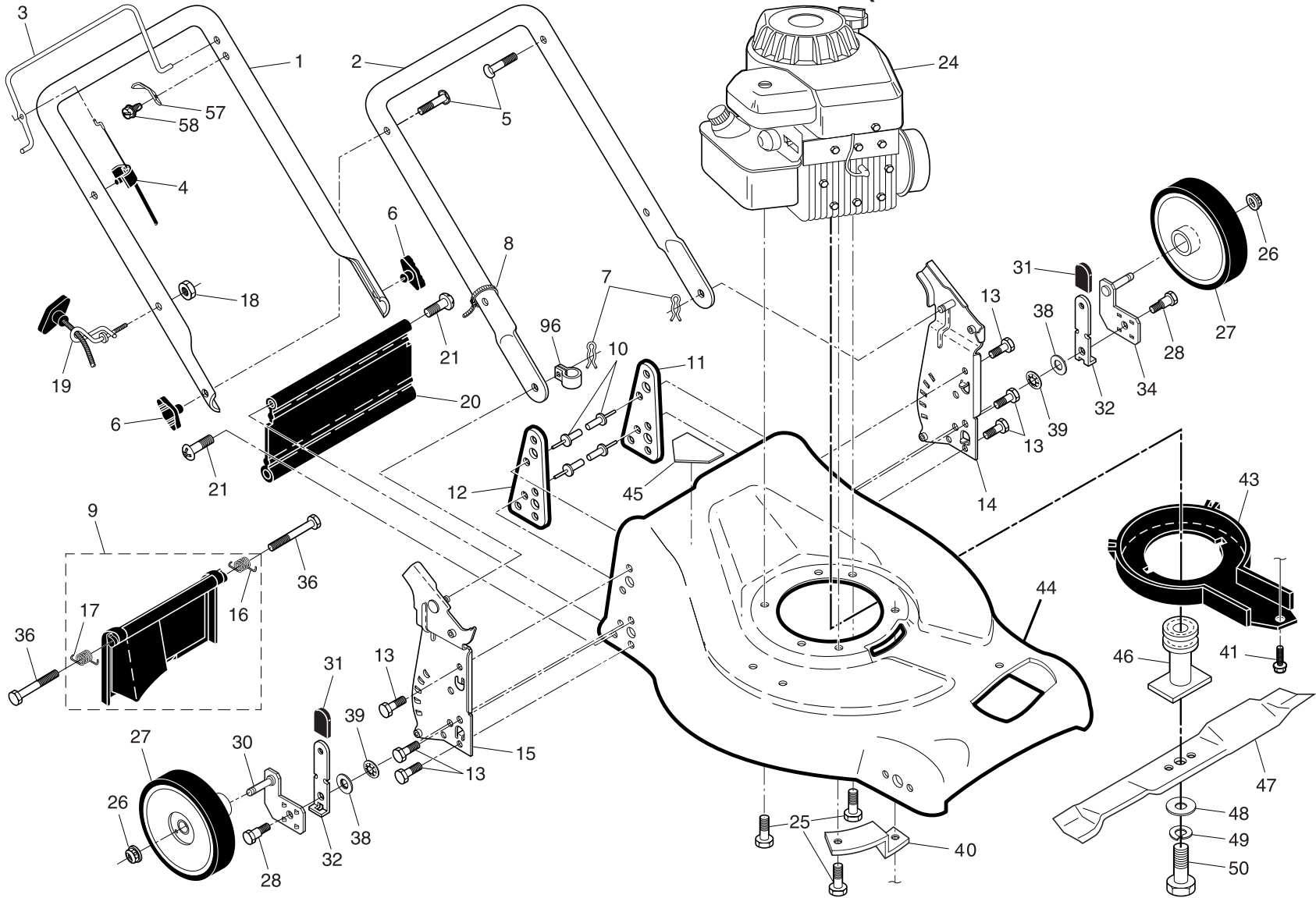


# ROTARY LAWN MOWER - - MODEL NUMBER 214502X83E (MFG. ID. NUMBER 96147000100)

2



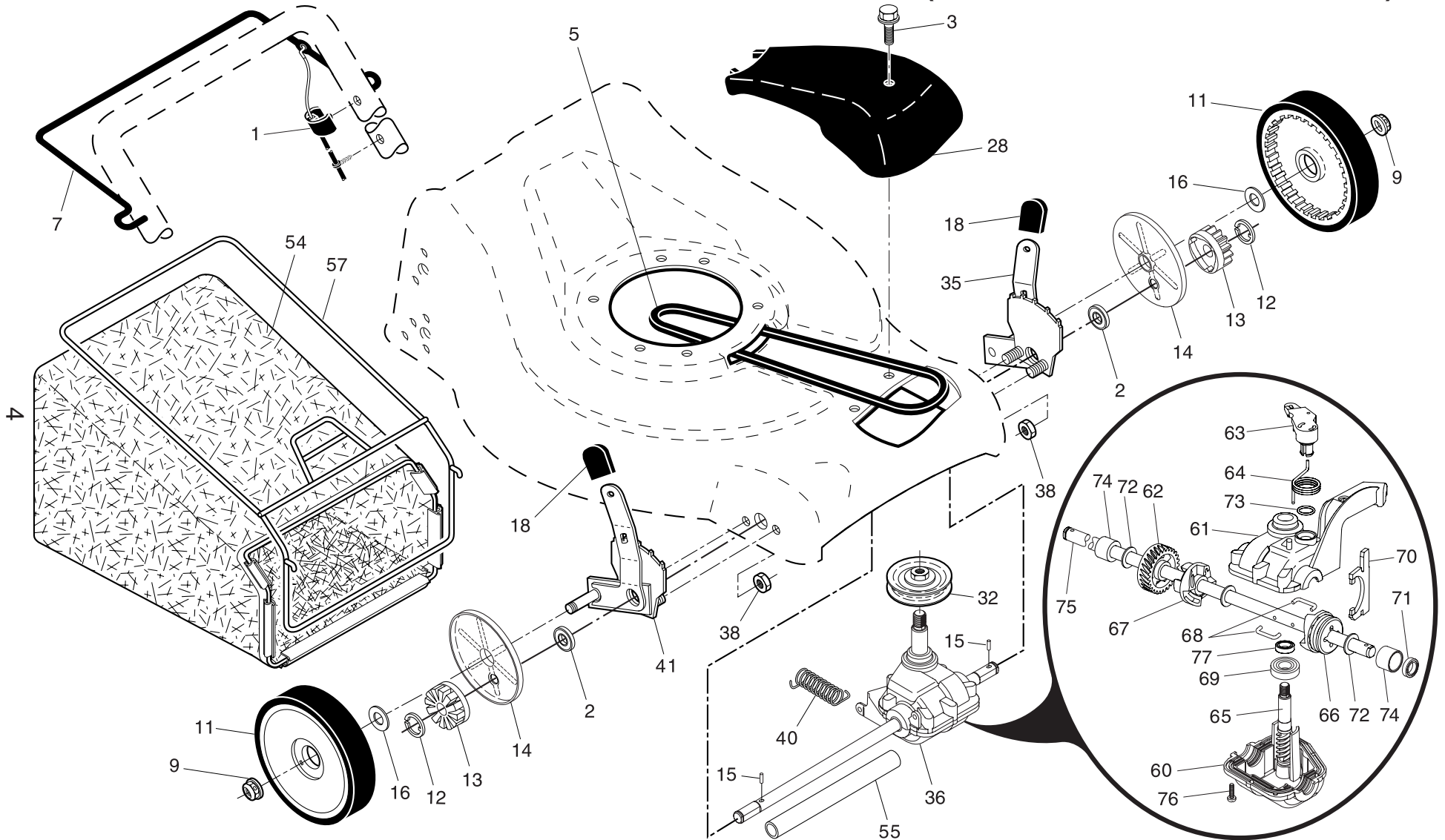
## ROTARY LAWN MOWER - - MODEL NUMBER **214502X83E** (MFG. ID. NUMBER 96147000100)

	KEY NO.	PART NO.	DESCRIPTION	KEY NO.	PART NO.	DESCRIPTION
	1	194200X479	Upper Handle	27	193990X460	Wheel & Tire Assembly
	2	151721X479	Lower Handle	28	189312	Shoulder Bolt 5/16-18 x 1-21/64
	3	194199X428	Control Bar	30	189596X004	Axle Arm Assembly, Rear, RH
	4	183567	Engine Zone Control Cable	31	87877	Selector Knob
	5	191574	Handle Bolt	32	175060X004	Selector Spring
	6	189713X428	Handle Knob	34	189597X004	Axle Arm Assembly, Rear, LH
	7	51793	Hairpin Cotter	36	184193	Bolt, Rear Door
	8	66426	Wire Tie	38	176185	Washer, Step 11/32 x 1-3/8 x 7/32
	9	180479	Kit, Rear Door (Includes Key Numbers 16 and 17)	39	176235	Push Nut
	10	128415	Pop Rivet	40	188839X004	Mounting Bracket, Debris Shield
	11	175069X479	Support Bracket, LH	41	192325	Screw, Debris Shield
	12	175070X479	Support Bracket, RH	43	188784	Debris Shield
3	13	17060410	Screw, Tapping 1/4-20 x 5/8	44	403805	Kit, Lawn Mower Housing (Includes Key Numbers 11, 12 and 45)
	14	175082X479	Handle Bracket Assembly, LH	45	107339X	Danger Decal
	15	175081X479	Handle Bracket Assembly, RH	46	195963	Blade Adapter / Pulley
	16	180071	Spring, Rear Door, LH	47	189028	Blade, 21"
	17	180072	Spring, Rear Door, RH	48	851074	Hardened Washer
	18	132004	Nut, Hex 1/4-20	49	850263	Helical Washer
	19	194788	Rope Guide	50	851084	Hex Head Machine Screw, Grade 8, 3/8-24 x 1-3/8
	20	189005	Rear Skirt	57	850733X004	Upstop Bracket
	21	88652	Hinge Screw 1/4-20 x 1-1/4	58	750634	Screw
	24	- - -	Engine, Briggs & Stratton, Model Number 10H902 (For engine service and replacement parts, call Briggs & Stratton at 1-800-233-3723)	96	197991	Clip, Cable
	25	150406	Hex Head Thread Rolling Screw 3/8-16 x 1-1/8	- -	162300	Warning Decal (not shown)
	26	83923	Hex Flange Nut	- -	193733	Operator's Manual, English
				- -	193736	Operator's Manual, French
				- -	403810	Replacement Parts Manual, English / French

**NOTE:** All component dimensions given in U.S. inches. 1 inch = 25.4 mm.

**IMPORTANT:** Use only Original Equipment Manufacturer (O.E.M.) replacement parts. Failure to do so could be hazardous, damage your lawn mower and void your warranty.

# ROTARY LAWN MOWER - - MODEL NUMBER 214502X83E (MFG. ID. NUMBER 96147000100)



# ROTARY LAWN MOWER - - MODEL NUMBER 214502X83E (MFG. ID. NUMBER 96147000100)

KEY NO.	PART NO.	DESCRIPTION	KEY NO.	PART NO.	DESCRIPTION
1	194653	Control Cable Assembly	54	401905	Grassbag
2	189911	Bearing, Wheel Adjuster	55	175739	Driveshaft Cover
3	175262	Pan Head Tapping Screw #10-24 x 2-3/4	57	194643	Frame, Grassbag
5	175436	V-Belt	60	183497	* Case, Lower
6	150495	Spring Retainer	61	183498	* Case, Upper
7	194185X428	Bar, Drive Control	62	183499	Gear, 27 Teeth
9	83923	Nut, Hex, Flangelock	63	183500	Lever, Clutch
11	193912X460	Wheel & Tire Assembly	64	183501	Spring, Return
12	12000058	E-Ring	65	183502	Shaft, Input
13	750003	Pinion	66	183503	Dog, Movable
14	189403	Dust Cover	67	183504	Dog, Fixed
15	191017	Pawl, Drive	68	183505	Wire, Formed
16	67725	Washer 1/2 x 1-1/2 x .134	69	183506	Bearing, Ball
18	87877	Selector Knob	70	183507	Fork, Shift
28	181468	Dive Cover	71	183508	Seal, Output Shaft
32	194126	Pulley, Drive	72	183509	Washer
35	195110	Kit, Wheel Adjuster, LH (Includes Knob and Bearing)	73	183510	Seal, Case
36	194935	Gear Case Assembly, Complete	74	183511	Bushing
38	73800400	Locknut, Hex 1/4-20	75	196613	Shaft, Output
40	137090	Spring	76	183513	Screw
41	190773	Kit, Wheel Adjuster, RH (Includes Knob and Bearing)	77	183514	Seal, Input Shaft

\* Use Dow Corning #709 to reseal Gear Case Halves.

**NOTE:** All component dimensions given in U.S. inches. 1 inch = 25.4 mm.

**IMPORTANT:** Use only Original Equipment Manufacturer (O.E.M.) replacement parts. Failure to do so could be hazardous, damage your lawn mower and void your warranty.