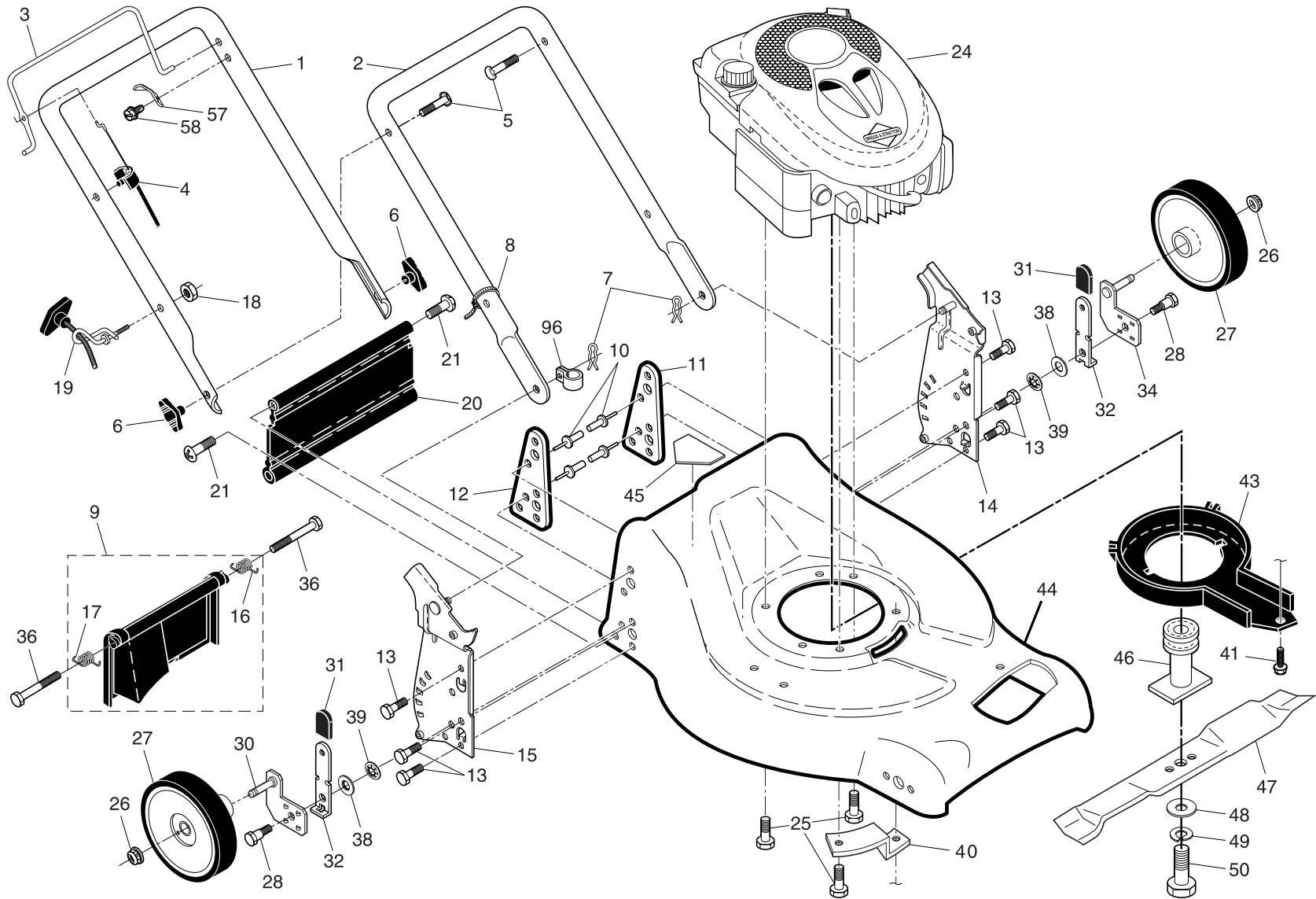


ROTARY LAWN MOWER - - MODEL NUMBER 96146000202

2



ROTARY LAWN MOWER - - MODEL NUMBER **96146000202**

3

KEY NO.	PART NO.	DESCRIPTION	KEY NO.	PART NO.	DESCRIPTION
1	194200X479	Upper Handle	27	193909X421	Wheel & Tire Assembly
2	151721X479	Lower Handle	28	189312	Shoulder Bolt 5/16-18 x 1-21/64
3	194199X428	Control Bar	30	189596X004	Axle Arm Assembly, Rear, RH
4	183567	Engine Zone Control Cable	31	170143	Selector Knob
5	191574	Handle Bolt	32	175060X004	Selector Spring
6	189713X428	Handle Knob	34	189597X004	Axle Arm Assembly, Rear, LH
7	51793	Hairpin Cotter	36	184193	Bolt, Rear Door
8	66426	Wire Tie	38	176185	Washer, Step 11/32 x 1-3/8 x 7/32
9	180479	Kit, Rear Door (Includes Key Numbers 16 and 17)	39	176235	Push Nut
10	128415	Pop Rivet	40	188839X004	Mounting Bracket, Debris Shield
11	175069X479	Support Bracket, LH	41	192325	Screw, Debris Shield
12	175070X479	Support Bracket, RH	43	188784	Debris Shield
13	17060410	Screw, Tapping 1/4-20 x 5/8	44	195010	Kit, Lawn Mower Housing (Includes Key Numbers 11, 12 and 45)
14	175082X479	Handle Bracket Assembly, LH	45	404763	Danger Decal
15	175081X479	Handle Bracket Assembly, RH	46	189179	Blade Adapter / Pulley
16	180071	Spring, Rear Door, LH	47	189028	Blade, 21"
17	180072	Spring, Rear Door, RH	48	851074	Hardened Washer
18	132004	Nut, Hex 1/4-20	49	850263	Helical Washer
19	194788	Rope Guide	50	851084	Screw, Hex Head, Grade 8, 3/8-24 x 1-3/8
20	189005	Rear Skirt	57	850733X004	Bracket, Upstop
21	88652	Hinge Screw 1/4-20 x 1-1/4	58	750634	Screw #10-24 x 1/2
24	---	Engine, Briggs & Stratton, Model Number 125K02 (For engine service and replacement parts, call Briggs & Stratton at 1-800-233-3723)	96	197991	Clip, Cable
25	150406	Hex Head Thread Rolling Screw 3/8-16 x 1-1/8	--	404764	Warning Decal (not shown)
26	83923	Hex Flange Nut	--	193733	Operator's Manual, English
			--	193736	Operator's Manual, French
			--	406297	Replacement Parts Manual, English / French

NOTE: All component dimensions given in U.S. inches. 1 inch = 25.4 mm.

IMPORTANT: Use only Original Equipment Manufacturer (O.E.M.) replacement parts. Failure to do so could be hazardous, damage your lawn mower and void your warranty.

ROTARY LAWN MOWER - - MODEL NUMBER **96146000202**

KEY NO.	PART NO.	DESCRIPTION	KEY NO.	PART NO.	DESCRIPTION
1	194653	Control Cable Assembly	54	402460	Grassbag
2	88059	Bearing, Wheel Adjuster	55	175739	Driveshaft Cover
3	175262	Pan Head Tapping Screw #10-24 x 2-3/4	57	194643	Frame, Grassbag
5	175436	V-Belt	60	183497	* Case, Lower
6	150495	Spring Retainer	61	183498	* Case, Upper
7	194185X428	Control Bar, Drive	62	183499	Gear, 27 Teeth
9	83923	Nut, Flangelock, Special Thread	63	183500	Lever, Clutch
11	193912X421	Wheel & Tire Assembly	64	183501	Spring, Return
12	12000058	E-Ring	65	183502	Shaft, Input
13	137054	Pinion	66	183503	Dog, Movable
14	189403	Dust Cover	67	183504	Dog, Fixed
16	67725	Washer 1/2 x 1-1/2 x .134	68	183505	Wire, Formed
18	170143	Selector Knob	69	183506	Bearing, Ball
28	194404X428	Dive Cover	70	183507	Fork, Shift
32	194126	Drive Pulley	71	183508	Seal, Output Shaft
35	151521	Kit, Wheel Adjuster, LH (Includes Knob and Bearing)	72	183509	Washer
36	180184	Gear Case Assembly, Complete	73	183510	Seal, Case
38	73800400	Locknut, Hex 1/4-20	74	183511	Bushing
40	137090	Spring	75	196613	Shaft, Output
41	151520	Kit, Wheel Adjuster, RH (Includes Knob and Bearing)	76	183513	Screw
			77	183514	Seal, Input Shaft

* Use Dow Corning #709 to reseal Gear Case Halves.

NOTE: All component dimensions given in U.S. inches. 1 inch = 25.4 mm.

IMPORTANT: Use only Original Equipment Manufacturer (O.E.M.) replacement parts. Failure to do so could be hazardous, damage your lawn mower and void your warranty.