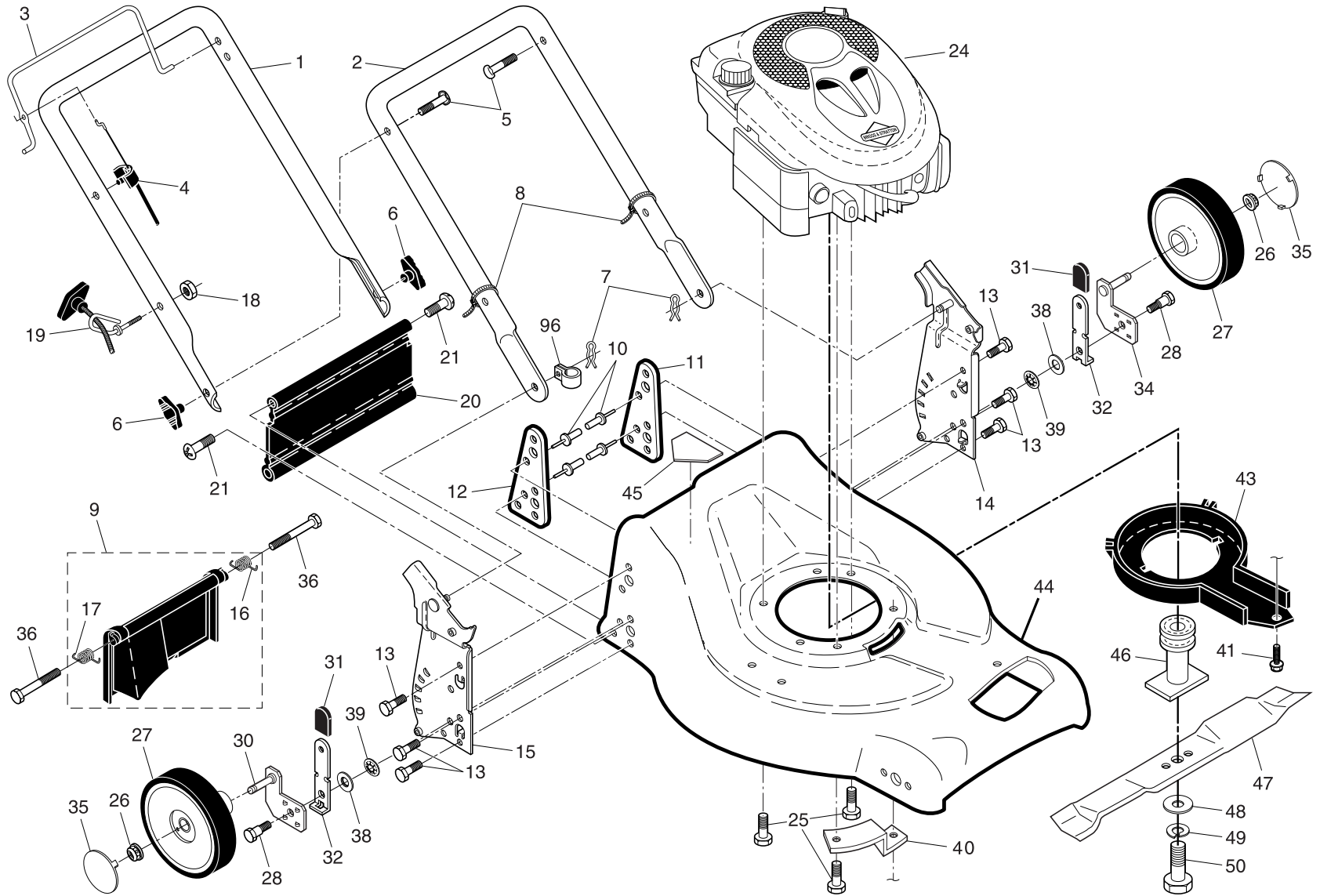


# ROTARY LAWN MOWER - - MODEL NUMBER HD6X (MFG. ID. NUMBER 96146000100)

2



## ROTARY LAWN MOWER - - MODEL NUMBER **HD6X** (MFG. ID. NUMBER 96146000100)

	KEY NO.	PART NO.	DESCRIPTION	KEY NO.	PART NO.	DESCRIPTION
	1	183496X479	Upper Handle	28	189312	Shoulder Bolt 5/16-18 x 1-21/64
	2	151721X479	Lower Handle	30	189596X004	Axle Arm Assembly, Rear, RH
	3	146771	Control Bar	31	170143	Selector Knob
	4	183567	Engine Zone Control Cable	32	175060X004	Selector Spring
	5	191574	Handle Bolt	34	189597X004	Axle Arm Assembly, Rear, LH
	6	189713X428	Handle Knob	35	77400	Hubcap
	7	51793	Hairpin Cotter	36	184193	Bolt, Rear Door
	8	66426	Wire Tie	38	176185	Washer, Step 11/32 x 1-3/8 x 7/32
	9	180479	Kit, Rear Door (Includes Key Numbers 16 and 17)	39	176235	Push Nut
	10	128415	Pop Rivet	40	188839X004	Mounting Bracket, Debris Shield
	11	175069X479	Support Bracket, LH	41	192325	Screw, Debris Shield
	12	175070X479	Support Bracket, RH	43	188784	Debris Shield
3	13	17060410	Screw, Tapping 1/4-20 x 5/8	44	195010	Kit, Lawn Mower Housing (Includes Key Numbers 11, 12 and 45)
	14	175082X479	Handle Bracket Assembly, LH	45	107339X	Danger Decal
	15	175081X479	Handle Bracket Assembly, RH	46	189179	Blade Adapter / Pulley
	16	180071	Spring, Rear Door, LH	47	189028	Blade, 21"
	17	180072	Spring, Rear Door, RH	48	851074	Hardened Washer
	18	132004	Nut, Hex 1/4-20	49	850263	Helical Washer
	19	179585	Rope Guide	96	192770	Clip, Cable
	20	189005	Rear Skirt	--	162300	Warning Decal (not shown)
	21	88652	Hinge Screw 1/4-20 x 1-1/4	--	193733	Operator's Manual, English
	24	---	Engine, Briggs & Stratton, Model Number 125K02 (For engine service and replacement parts, call Briggs & Stratton at 1-800-233-3723)	--	193736	Operator's Manual, French
	25	150406	Hex Head Thread Rolling Screw 3/8-16 x 1-1/8	--	195006	Replacement Parts Manual, English / French
	26	83923	Hex Flange Nut			
	27	194855	Wheel & Tire Assembly			

**NOTE:** All component dimensions given in U.S. inches.  
1 inch = 25.4 mm

**IMPORTANT:** Use only Original Equipment Manufacturer (O.E.M.) replacement parts. Failure to do so could be hazardous, damage your lawn mower and void your warranty.



# ROTARY LAWN MOWER - - MODEL NUMBER **HD6X** (MFG. ID. NUMBER 96146000100)

5

KEY NO.	PART NO.	DESCRIPTION
1	184587	Control Cable Assembly
2	167387	Bearing, Wheel Adjuster
3	175262	Pan Head Tapping Screw #10-24 x 2-3/4
4	158755	Hex Washer Head Screw 1/4-20 x 2.12
5	175436	V-Belt
6	150495	Spring Retainer
7	191730	Locknut, Hex #10-24
8	77400	Hubcap
9	145212	Nut, Flangelock, Special Thread
11	194854	Wheel & Tire Assembly
12	12000058	E-Ring
13	137054	Pinion
14	189403	Dust Cover
16	67725	Washer 1/2 x 1-1/2 x .134
18	170143	Selector Knob
28	181466	Dive Cover
31	132010	Nut, Hex, Flanged, Zinc Plated 3/8-16
32	189407	Drive Pulley
35	172291	Kit, Wheel Adjuster, LH (Includes Knob and Bearing)
36	180184	Gear Case Assembly, Complete
38	73800400	Locknut, Hex 1/4-20
40	137090	Spring
41	172290	Kit, Wheel Adjuster, RH (Includes Knob and Bearing)

KEY NO.	PART NO.	DESCRIPTION
54	194697	Grassbag
55	175739	Driveshaft Cover
57	188815	Frame, Grassbag
60	183497	* Case, Lower
61	183498	* Case, Upper
62	183499	Gear, 27 Teeth
63	183500	Lever, Clutch
64	183501	Spring, Return
65	183502	Shaft, Input
66	183503	Dog, Movable
67	183504	Dog, Fixed
68	183505	Wire, Formed
69	183506	Bearing, Ball
70	183507	Fork, Shift
71	183508	Seal, Output Shaft
72	183509	Washer
73	183510	Seal, Case
74	183511	Bushing
75	183512	Shaft, Output
76	183513	Screw
77	183514	Seal, Input Shaft

\* Use Dow Corning #709 to reseal Gear Case Halves.

**NOTE:** All component dimensions given in U.S. inches.  
1 inch = 25.4 mm

**IMPORTANT:** Use only Original Equipment Manufacturer (O.E.M.) replacement parts. Failure to do so could be hazardous, damage your lawn mower and void your warranty.