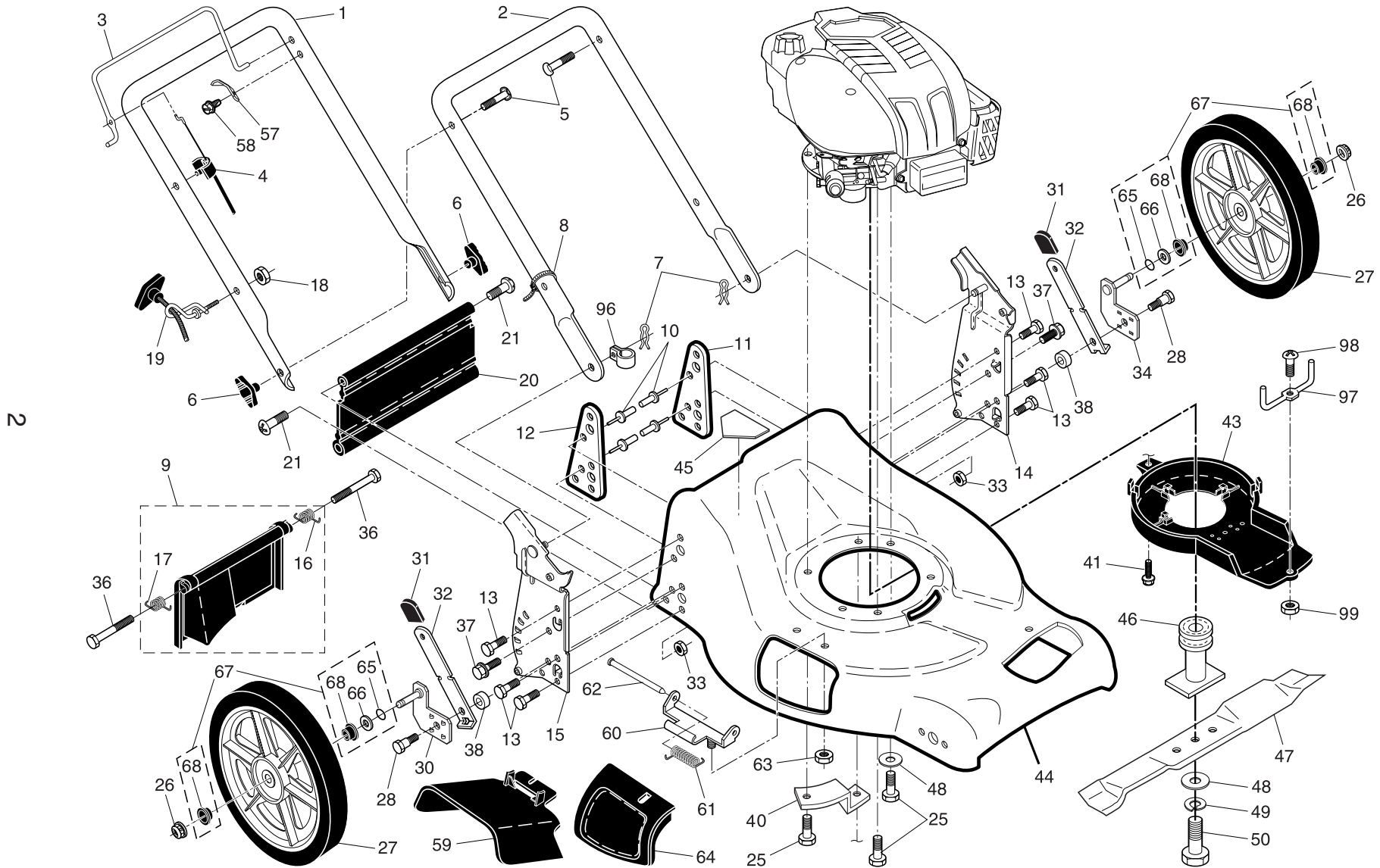


ROTARY LAWN MOWER - - MODEL NUMBER **PO675Y21CH** (MFG. ID. NUMBER 96142001801)



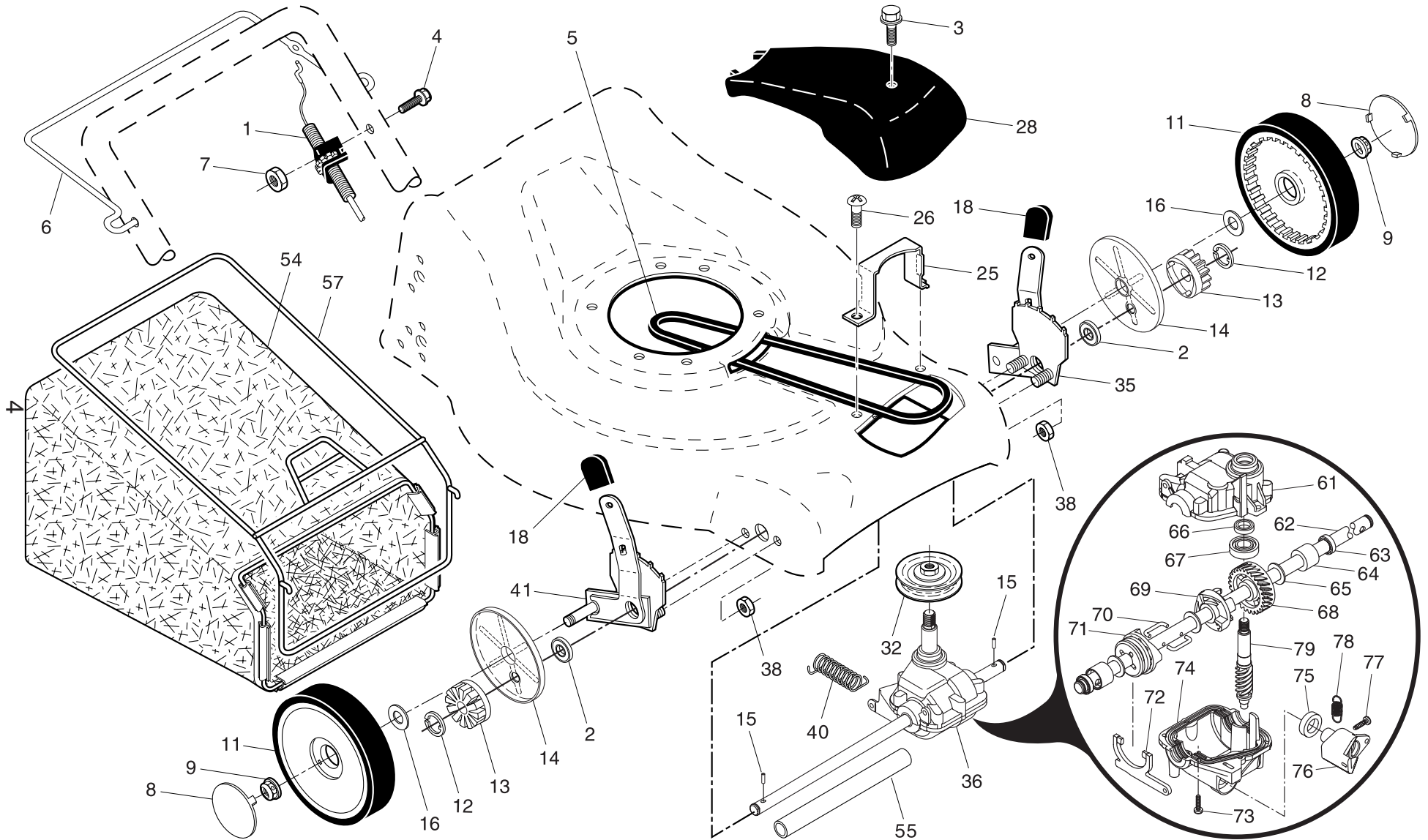
ROTARY LAWN MOWER - - MODEL NUMBER **PO675Y21CH** (MFG. ID. NUMBER 96142001801)

KEY NO.	PART NO.	DESCRIPTION	KEY NO.	PART NO.	DESCRIPTION
1	185508X479	Upper Handle	36	184193	Bolt, Rear Door
2	151721X479	Lower Handle	37	150078	Thread Cutting Screw w/Sems 5/16-18 x 3/4
3	182810	Control Bar	38	19112206	Washer, Flat .34 x 1.38
4	183567	Engine Zone Control Cable	40	188839X004	Mounting Bracket, Debris Shield
5	191574	Handle Bolt	41	192325	Screw, Debris Shield
6	189713X428	Handle Knob	43	198910	Debris Shield
7	51793	Hairpin Cotter	44	176710	Kit, Housing (Includes Key Numbers 10, 11, 12 and 45)
8	66426	Wire Tie	45	107339X	Danger Decal
9	180479	Kit, Rear Door (Includes Key Numbers 16 and 17)	46	194037	Blade Adapter / Pulley
10	128415	Pop Rivet	47	189028	Blade, 21"
11	175069X479	Support Bracket, LH	48	851074	Hardened Washer
12	175070X479	Support Bracket, RH	49	850263	Helical Washer 3/8
13	17060410	Screw 1/4-20 x 5/8	50	851084	Blade Bolt, Hex Head, Grade 8
14	175576X479	Handle Bracket Assembly, LH	57	850733X004	Bracket, Upstop
15	175577X479	Handle Bracket Assembly, RH	58	750634	Screw
16	180071	Spring, Rear Door, LH	59	175071	Discharge Deflector
17	180072	Spring, Rear Door, RH	60	175735	Hinge Bracket
18	132004	Keps Locknut 1/4-20	61	193000	Spring
19	194788	Rope Guide	62	175650	Rod, Hinge
20	189005	Rear Skirt	63	73800400	Nut, Hex
21	88652	Hinge Screw 1/4-20 x 1-1/4	64	175066	Mulcher Door
24	---	Engine, Briggs & Stratton, Model Number 126602 (For engine service and replacement parts, call Briggs & Stratton at 1-800-233-3723)	65	188152	O-Ring
25	150406	Screw, Hex Head, Threaded, Rolled 3/8-16 x 2	66	88348	Washer, Flat 1/2
26	83923	Nut, Hex, Flangelock 3/8-16	67	193498	Kit, Bushing, High Wheel
27	190013	Wheel & Tire Assembly, Rear, 14"	68	193028X428	Bushing, Nylon, Black
28	160828	Bolt, Shoulder 5/16-18	96	192770	Clip, Cable
30	180411X004	Axle Arm Assembly, Rear, RH	97	197162	Belt Keeper
31	175477	Selector Knob	98	182227	Screw, Machine #8
32	175053X004	Selector Spring	99	182228	Nut, Hex #8
33	73800500	Nut, Hex, Nylock 5/16-18	--	162300	Warning Decal (not shown)
34	180412X004	Axle Arm Assembly, Rear, LH	--	193733	Operator's Manual, English
			--	193736	Operator's Manual, French
			--	199031	Repair Parts Manual, English / French

NOTE: All component dimensions given in U.S. inches. 1 inch = 25.4 mm.

IMPORTANT: Use only Original Equipment Manufacturer (O.E.M.) replacement parts. Failure to do so could be hazardous, damage your lawn mower and void your warranty.

ROTARY LAWN MOWER -- MODEL NUMBER PO675Y21CH (MFG. ID. NUMBER 96142001801)



ROTARY LAWN MOWER - - MODEL NUMBER **PO675Y21CH** (MFG. ID. NUMBER 96142001801)

KEY NO.	PART NO.	DESCRIPTION	KEY NO.	PART NO.	DESCRIPTION
1	193480	Drive Control Assembly, Complete	40	192849	Spring
2	191039	Bearing, Wheel Adjuster	41	195107	Kit, Wheel Adjuster, RH (Includes Knob and Bearing)
3	175262	Pan Head Tapping Screw #10-24 x 2-3/4	54	197279	Grassbag Assembly
4	185681	Screw	55	175739	Driveshaft Cover
5	194149	V-Belt	57	194643	Frame, Grassbag
6	194185X428	Bar, Drive Control	61	196886	Case, Upper
7	751152	Nut, Hex	62	196885	Shaft, Output
8	77400	Hubcap	63	183508	Seal, Output Shaft
9	145212	Locknut	64	183511	Bushing
11	180776	Wheel & Tire Assembly, Front	65	183509	Washer
12	12000058	E-Ring	66	183514	Seal, Worm Shaft
13	750003	Pinion	67	183506	Bearing, Ball
14	189403	Dust Cover	68	183499	Gear, 27 Teeth
15	191017	Pawl, Drive	69	196884	Fixed Dog Clutch
16	67725	Washer 1/2 x 1-1/2 x .134	70	183505	Wireform
18	87877	Selector Knob	71	196883	Movable Dog Clutch
25	198897X004	Keeper, Belt	72	196882	Fork
26	150078	Screw	73	183513	Screw, Case
28	181467	Drive Cover	74	196881	Case, Lower
32	194018	Drive Pulley	75	196880	Seal, Lever
35	195110	Kit, Wheel Adjuster, LH (Includes Knob and Bearing)	76	196879	Lever
36	188296	Gear Case Assembly, Complete	77	196878	Screw, Lever
38	73800400	Locknut 1/4-20	78	183501	Spring
			79	199508	Shaft, Worm

NOTE: All component dimensions given in U.S. inches. 1 inch = 25.4 mm.

IMPORTANT: Use only Original Equipment Manufacturer (O.E.M.) replacement parts. Failure to do so could be hazardous, damage your lawn mower and void your warranty.