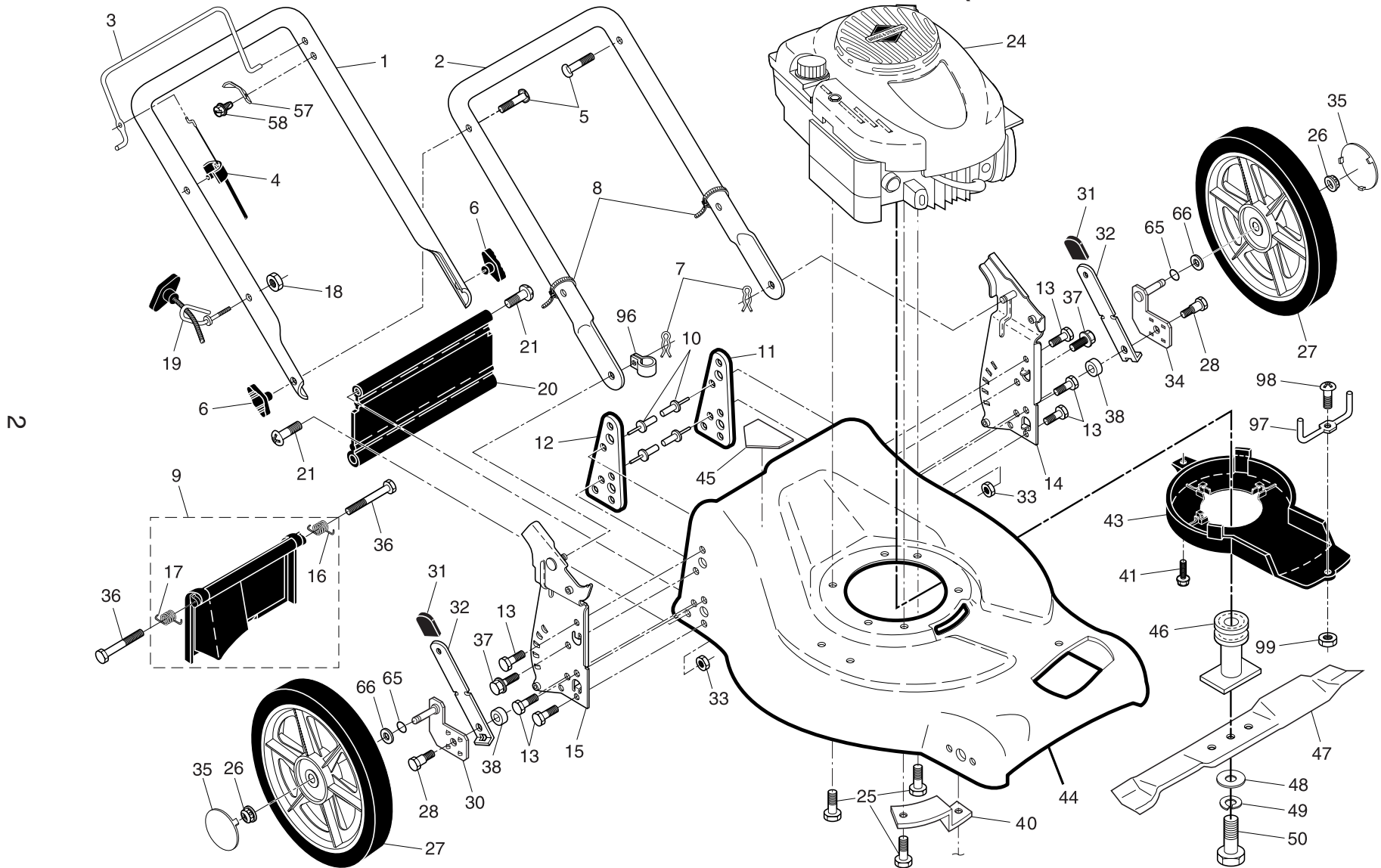


ROTARY LAWN MOWER - - MODEL NUMBER PR675Y21RHP (MFG. ID. NUMBER 96142000903)



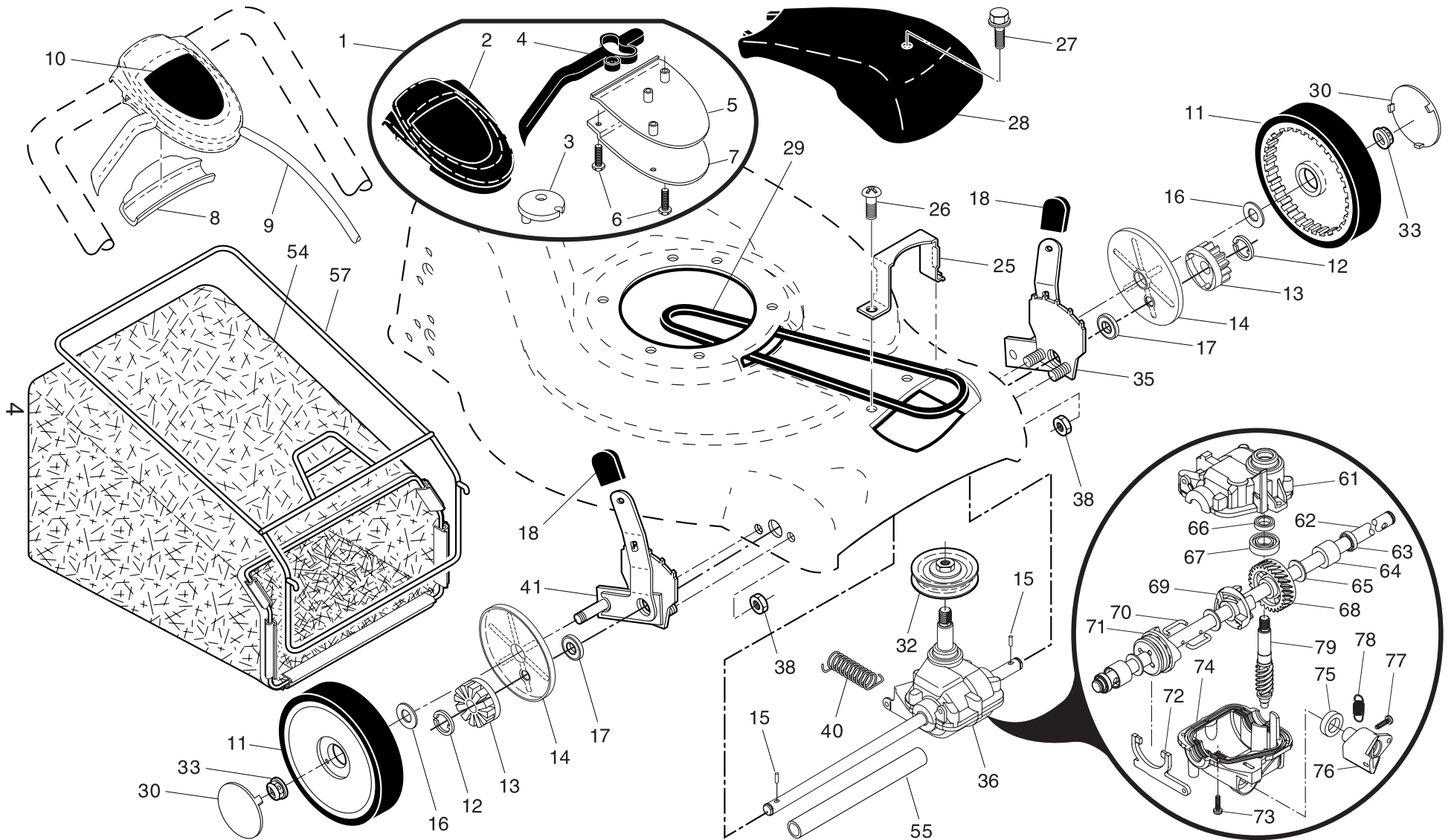
ROTARY LAWN MOWER - - MODEL NUMBER **PR675Y21RHP** (MFG. ID. NUMBER 96142000903)

	KEY NO.	PART NO.	DESCRIPTION		KEY NO.	PART NO.	DESCRIPTION
	1	194579X479	Upper Handle		31	175478	Selector Knob
	2	151721X479	Lower Handle		32	175053X004	Selector Spring
	3	194580X428	Control Bar		33	73800500	Nut, Hex, Nylock 5/16-18
	4	183567	Engine Zone Control Cable		34	180412X004	Axle Arm Assembly, Rear, LH
	5	191574	Handle Bolt		36	184193	Bolt, Rear Door
	6	195552	Handle Knob		37	150078	Thread Cutting Screw w/Sems 5/16-18 x 3/4
	7	51793	Hairpin Cotter		38	19112206	Washer, Flat .34 x 1.38
	8	66426	Wire Tie		40	188839X004	Mounting Bracket, Debris Shield
	9	180479	Kit, Rear Door (Includes Key Numbers 16 and 17)		41	192325	Screw, Debris Shield
	10	128415	Pop Rivet		43	198910	Debris Shield
	11	175069X479	Support Bracket, LH		44	195010	Kit, Housing (Includes Key Numbers 10, 11, 12 and 45)
	12	175070X479	Support Bracket, RH		45	404763	Danger Decal
	13	17060410	Screw 1/4-20 x 5/8		46	194037	Blade Adapter / Pulley
ω	14	181016X479	Handle Bracket Assembly, LH		47	189028	Blade, 21"
	15	181017X479	Handle Bracket Assembly, RH		48	851074	Hardened Washer
	16	180071	Spring, Rear Door, LH		49	850263	Helical Washer 3/8
	17	180072	Spring, Rear Door, RH		50	851084	Blade Bolt, Hex Head, Grade 8
	18	132004	Keps Locknut 1/4-20		57	850733X004	Upstop Bracket
	19	179585	Rope Guide		58	750634	Screw
	20	189005	Rear Skirt		65	188152	O-Ring
	21	88652	Hinge Screw 1/4-20 x 1-1/4		66	88348	Washer, Flat 3/8
	24	---	Engine, Briggs & Stratton, Model Number 125K02 (For engine service and replacement parts, call Briggs & Stratton at 1-800-233-3723)		96	197991	Clip, Cable
	25	150406	Screw, Hex Head, Threaded, Rolled 3/8-16 x 2		97	197162	Belt Keeper
	26	83923	Nut, Hex, Flangelock 3/8-16		98	182227	Screw
	27	195630	Wheel & Tire Assembly, Rear, 14"		99	182228	Nut, Hex
	28	160828	Bolt, Shoulder 5/16-18		--	404764	Warning Decal (not shown)
	30	180411X004	Axle Arm Assembly, Rear, RH		--	193733	Operator's Manual, English
					--	193736	Operator's Manual, French
					--	199027	Repair Parts Manual, English / French

NOTE: All component dimensions given in U.S. inches. 1 inch = 25.4 mm.

IMPORTANT: Use only Original Equipment Manufacturer (O.E.M.) replacement parts. Failure to do so could be hazardous, damage your lawn mower and void your warranty.

ROTARY LAWN MOWER - - MODEL NUMBER PR675Y21RHP (MFG. ID. NUMBER 96142000903)



ROTARY LAWN MOWER - - MODEL NUMBER **PR675Y21RHP** (MFG. ID. NUMBER 96142000903)

KEY NO.	PART NO.	DESCRIPTION	KEY NO.	PART NO.	DESCRIPTION
1	196269	Drive Control Assembly (Includes Cable)	36	188296	Gear Case Assembly, Complete
2	195745	Cover, Top	38	73800400	Locknut 1/4-20
3	187353	Pulley	40	192849	Spring
4	195585	Lever	41	195107	Kit, Wheel Adjuster, RH (Includes Knob and Bearing)
5	195744	Cover, Bottom	54	194697	Grassbag Assembly
6	181698	Screw #8 x .62	55	175739	Driveshaft Cover
7	400235X479	Mounting Bracket	57	194643	Frame, Grassbag
8	184987	Cap, Bottom	61	196886	Case, Upper
9	196180	Cable, Drive	62	196885	Shaft, Output
10	195175	Decal, Drive Control Operation	63	183508	Seal, Output Shaft
11	194854	Wheel & Tire Assembly, Front	64	183511	Bushing
12	12000058	E-Ring	65	183509	Washer
13	750003	Pinion	66	183514	Seal, Worm Shaft
14	189403	Dust Cover	67	183506	Bearing, Ball
15	191017	Pawl, Drive	68	183499	Gear, 27 Teeth
16	67725	Washer 1/2 x 1-1/2 x .134	69	196884	Fixed Dog Clutch
17	191039	Bearing, Wheel Adjuster	70	183505	Wireform
18	170143	Selector Knob	71	196883	Movable Dog Clutch
25	198897X004	Keeper, Belt	72	196882	Fork
26	150078	Screw	73	183513	Screw, Case
27	175262	Pan Head Tapping Screw #10-24 x 2-3/4	74	196881	Case, Lower
28	181466	Drive Cover	75	196880	Seal, Lever
29	196853	V-Belt	76	196879	Lever
30	77400	Hubcap	77	196878	Screw, Lever
32	194018	Drive Pulley	78	196877	Spring
33	145212	Locknut	79	183502	Shaft, Worm
35	195110	Kit, Wheel Adjuster, LH (Includes Knob and Bearing)			

NOTE: All component dimensions given in U.S. inches. 1 inch = 25.4 mm.

IMPORTANT: Use only Original Equipment Manufacturer (O.E.M.) replacement parts. Failure to do so could be hazardous, damage your lawn mower and void your warranty.