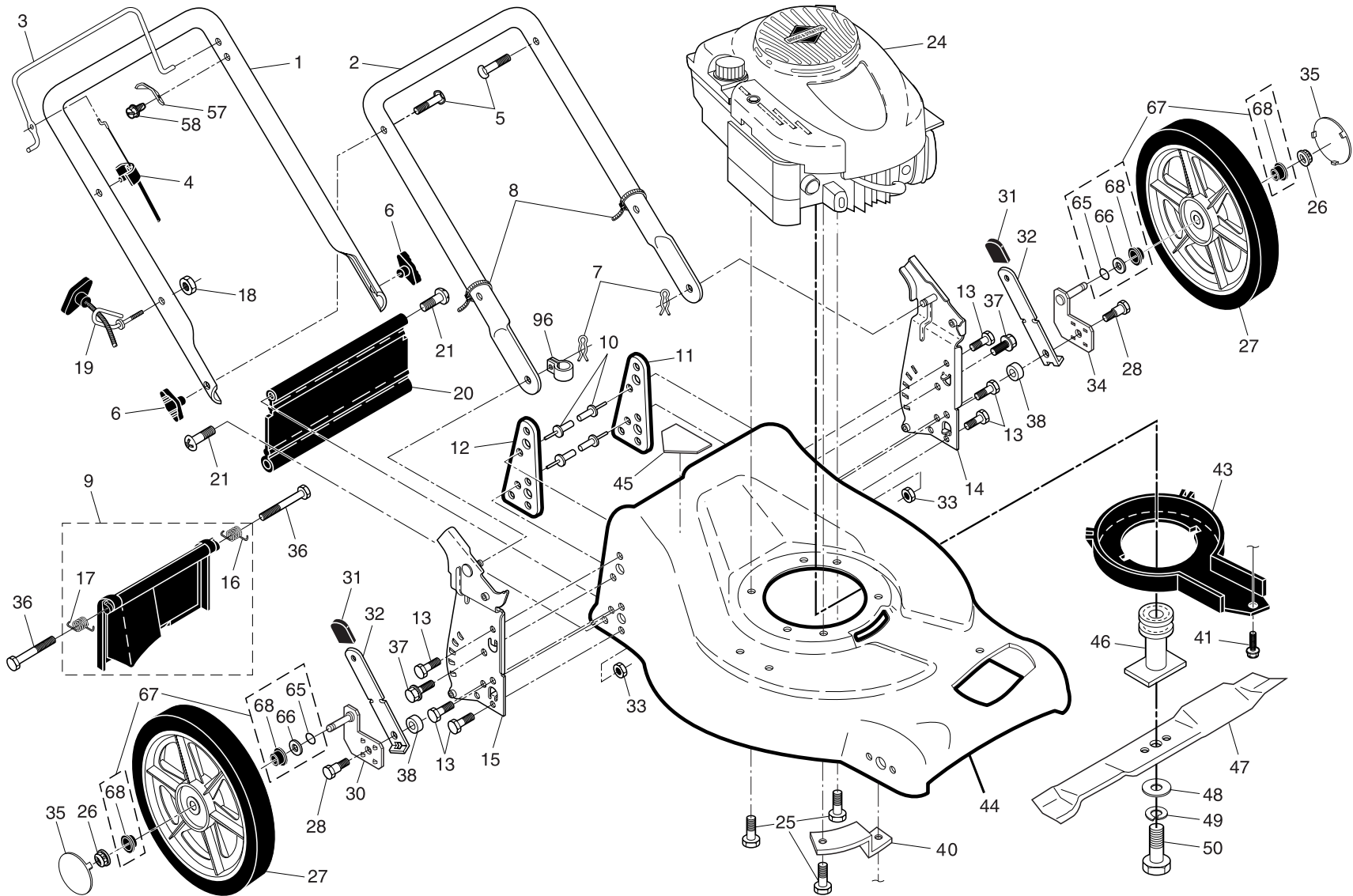


ROTARY LAWN MOWER - - MODEL NUMBER PR675Y21RHP (MFG. ID. NUMBER 96142000902)

2



ROTARY LAWN MOWER - - MODEL NUMBER **PR675Y21RHP** (MFG. ID. NUMBER 96142000902)

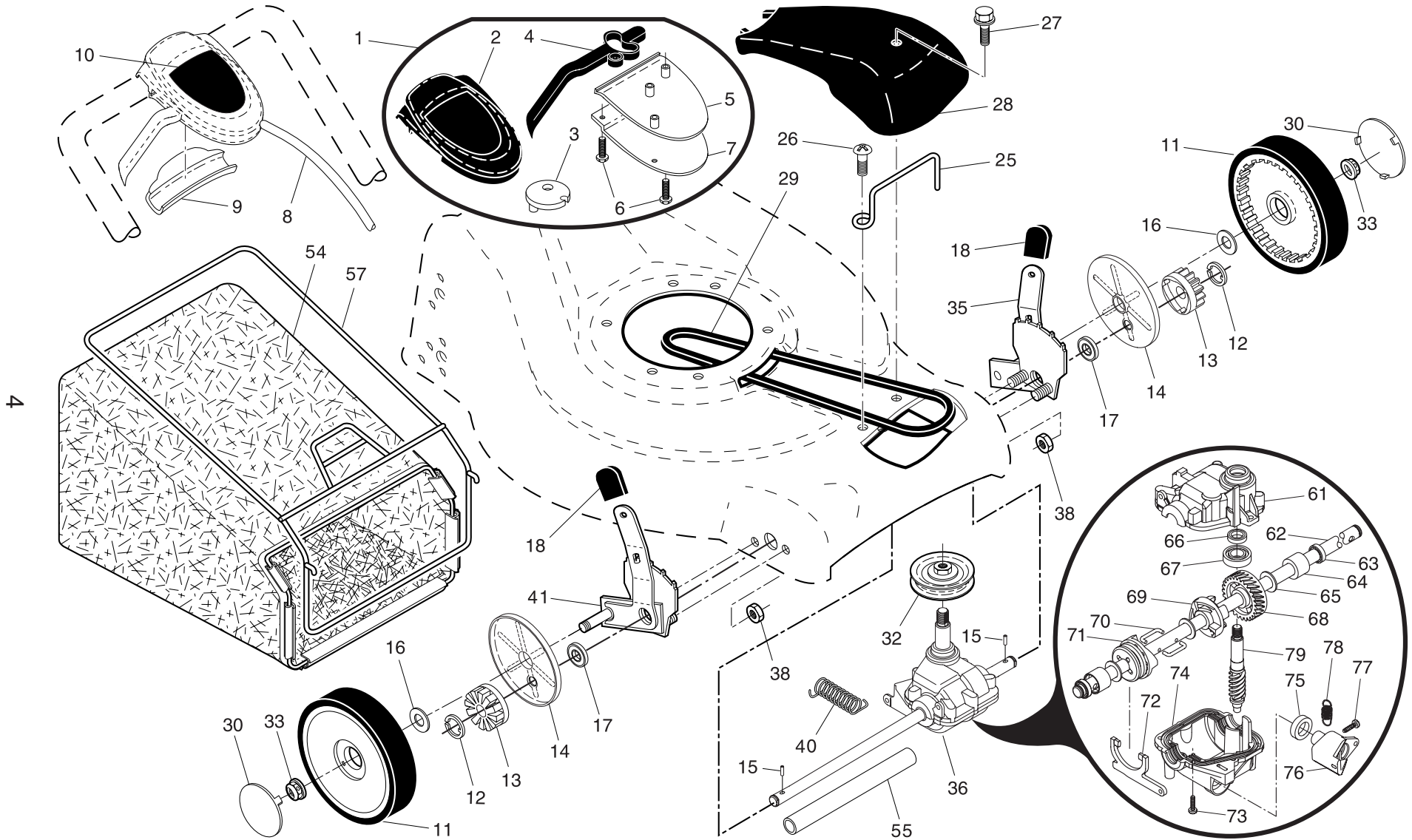
3

KEY NO.	PART NO.	DESCRIPTION	KEY NO.	PART NO.	DESCRIPTION
1	194579X479	Upper Handle	30	180411X004	Axle Arm Assembly, Rear, RH
2	151721X479	Lower Handle	31	175478	Selector Knob
3	194580X428	Control Bar	32	175053X004	Selector Spring
4	183567	Engine Zone Control Cable	33	73800500	Nut, Hex, Nylock 5/16-18
5	191574	Handle Bolt	34	180412X004	Axle Arm Assembly, Rear, LH
6	189713X428	Handle Knob	36	184193	Bolt, Rear Door
7	51793	Hairpin Cotter	37	150078	Thread Cutting Screw w/Sems 5/16-18 x 3/4
8	66426	Wire Tie	38	19112206	Washer, Flat .34 x 1.38
9	180479	Kit, Rear Door (Includes Key Numbers 16 and 17)	40	188839X004	Mounting Bracket, Debris Shield
10	128415	Pop Rivet	41	192325	Screw, Debris Shield
11	175069X479	Support Bracket, LH	43	193668	Debris Shield
12	175070X479	Support Bracket, RH	44	195010	Kit, Housing (Includes Key Numbers 10, 11, 12 and 45)
13	17060410	Screw 1/4-20 x 5/8	45	107339X	Danger Decal
14	181016X479	Handle Bracket Assembly, LH	46	194037	Blade Adapter / Pulley
15	181017X479	Handle Bracket Assembly, RH	47	189028	Blade, 21"
16	180071	Spring, Rear Door, LH	48	851074	Hardened Washer
17	180072	Spring, Rear Door, RH	49	850263	Helical Washer 3/8
18	132004	Keps Locknut 1/4-20	50	851084	Blade Bolt, Hex Head, Grade 8
19	179585	Rope Guide	57	850733X004	Upstop Bracket
20	189005	Rear Skirt	58	750634	Screw
21	88652	Hinge Screw 1/4-20 x 1-1/4	65	188152	O-Ring
24	---	Engine, Briggs & Stratton, Model Number 125K02 (For engine service and replacement parts, call Briggs & Stratton at 1-800-233-3723)	66	88348	Washer, Flat 3/8
25	150406	Screw, Hex Head, Threaded, Rolled 3/8-16 x 2	67	193498	Kit, Bushing, High Wheel
26	83923	Nut, Hex, Flangelock 3/8-16	68	193028X428	Bushing, Nylon, Black
27	195630	Wheel & Tire Assembly, Rear, 14"	96	192770	Clip, Cable
28	160828	Bolt, Shoulder 5/16-18	--	162300	Warning Decal (not shown)
			--	193733	Operator's Manual, English
			--	193736	Operator's Manual, French
			--	196501	Repair Parts Manual, English / French

NOTE: All component dimensions given in U.S. inches. 1 inch = 25.4 mm.

IMPORTANT: Use only Original Equipment Manufacturer (O.E.M.) replacement parts. Failure to do so could be hazardous, damage your lawn mower and void your warranty.

ROTARY LAWN MOWER - - MODEL NUMBER PR675Y21RHP (MFG. ID. NUMBER 96142000902)



ROTARY LAWN MOWER - - MODEL NUMBER **PR675Y21RHP** (MFG. ID. NUMBER 96142000902)

KEY NO.	PART NO.	DESCRIPTION	KEY NO.	PART NO.	DESCRIPTION
1	196269	Drive Control Assembly (Includes Cable)	36	188296	Gear Case Assembly, Complete
2	195745	Cover, Top	38	73800400	Locknut 1/4-20
3	187353	Pulley	40	192849	Spring
4	195585	Lever	41	195107	Kit, Wheel Adjuster, RH (Includes Knob and Bearing)
5	195744	Cover, Bottom	54	194697	Grassbag Assembly
6	181698	Screw #8 x .62	55	175739	Driveshaft Cover
7	184212X479	Mounting Bracket	57	188815	Frame, Grassbag
8	184987	Cap, Bottom	61	196886	Case, Upper
9	196180	Cable, Drive	62	196885	Shaft, Output
10	195175	Decal, Drive Control Operation	63	183508	Seal, Output Shaft
11	194854	Wheel & Tire Assembly, Front	64	183511	Bushing
12	12000058	E-Ring	65	183509	Washer
13	750003	Pinion	66	183514	Seal, Worm Shaft
14	189403	Dust Cover	67	183506	Bearing, Ball
15	191017	Pawl, Drive	68	183499	Gear, 27 Teeth
16	67725	Washer 1/2 x 1-1/2 x .134	69	196884	Fixed Dog Clutch
17	191039	Bearing, Wheel Adjuster	70	183505	Wireform
18	170143	Selector Knob	71	196883	Movable Dog Clutch
25	193687X004	Keeper, Belt	72	196882	Fork
26	150078	Screw	73	183513	Screw, Case
27	175262	Pan Head Tapping Screw #10-24 x 2-3/4	74	196881	Case, Lower
28	181466	Drive Cover	75	196880	Seal, Lever
29	196853	V-Belt	76	196879	Lever
30	77400	Hubcap	77	196878	Screw, Lever
32	194018	Drive Pulley	78	196877	Spring
33	145212	Locknut	79	183502	Shaft, Worm
35	195110	Kit, Wheel Adjuster, LH (Includes Knob and Bearing)			

NOTE: All component dimensions given in U.S. inches. 1 inch = 25.4 mm.

IMPORTANT: Use only Original Equipment Manufacturer (O.E.M.) replacement parts. Failure to do so could be hazardous, damage your lawn mower and void your warranty.