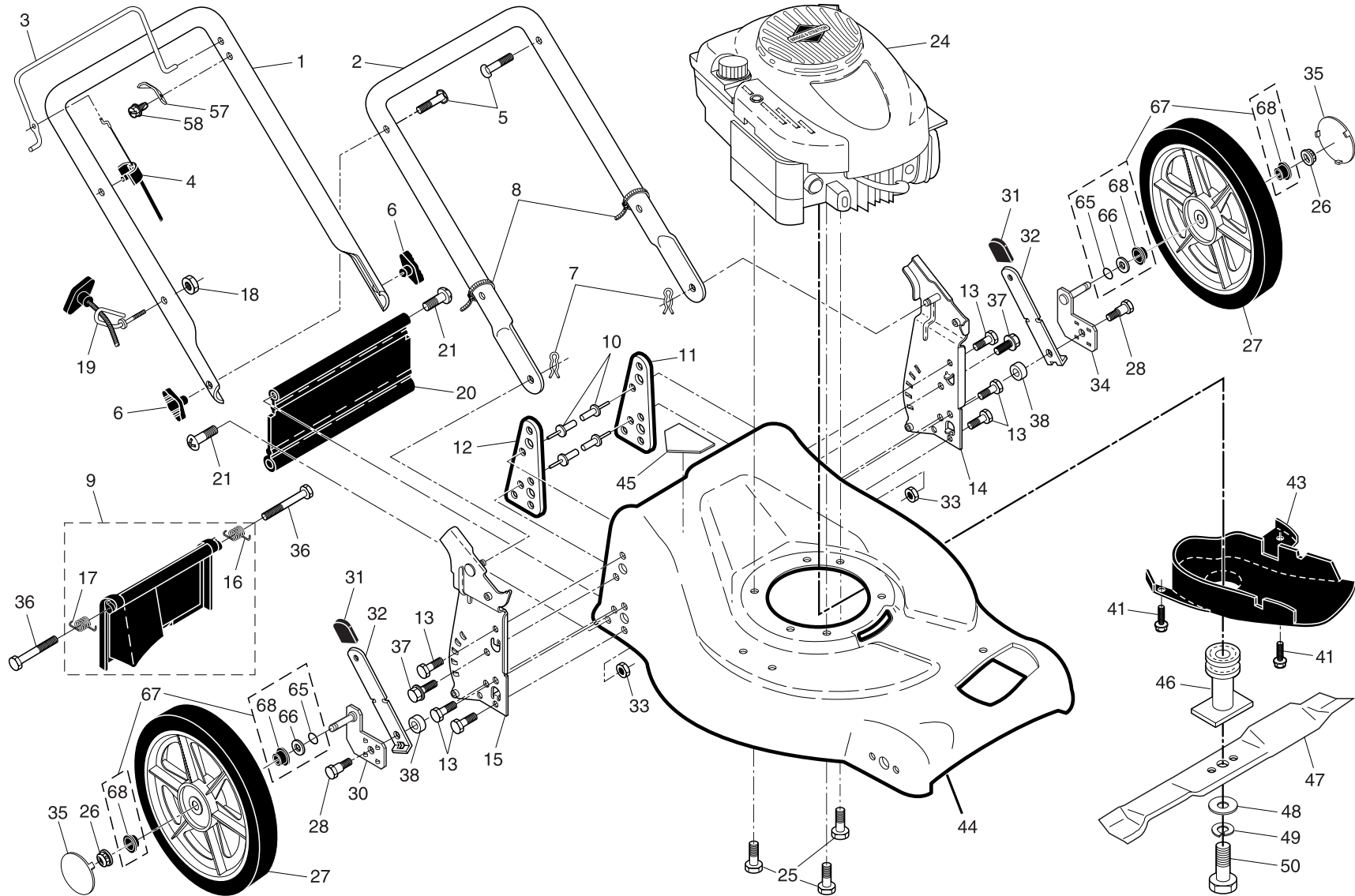


ROTARY LAWN MOWER - - CATALOG NUMBER PR675Y21RHP (MFG. ID. NO. 96142000901)

2



ROTARY LAWN MOWER - - CATALOG NUMBER PR675Y21RHP (MFG. ID. NO. 96142000901)

3

KEY NO.	PART NO.	DESCRIPTION	KEY NO.	PART NO.	DESCRIPTION
1	195685X479	Upper Handle	31	175478	Selector Knob
2	151721X479	Lower Handle	32	175053X004	Selector Spring
3	187940X428	Control Bar	33	73800500	Nut, Hex, Nylock 5/16-18
4	183567	Engine Zone Control Cable	34	180412X004	Axle Arm Assembly, Rear, LH
5	191574	Handle Bolt	36	184193	Bolt, Rear Door
6	189713X428	Handle Knob	37	150078	Thread Cutting Screw w/Sems 5/16-18 x 3/4
7	51793	Hairpin Cotter	38	19112206	Washer, Flat .34 x 1.38
8	66426	Wire Tie	41	192325	Screw, Debris Shield
9	180479	Kit, Rear Door (Includes Key Numbers 16 and 17)	43	187038	Debris Shield
10	128415	Pop Rivet	44	195010	Kit, Housing (Includes Key Numbers 10, 11, 12 and 45)
11	175069X479	Support Bracket, LH	45	107339X	Danger Decal
12	175070X479	Support Bracket, RH	46	187037	Blade Adapter / Pulley
13	17060410	Screw 1/4-20 x 5/8	47	189028	Blade, 21"
14	181016X428	Handle Bracket Assembly, LH	48	851074	Hardened Washer
15	181017X428	Handle Bracket Assembly, RH	49	850263	Helical Washer 3/8
16	180071	Spring, Rear Door, LH	50	179617	Blade Bolt, Hex Head, Grade 8
17	180072	Spring, Rear Door, RH	57	750634	Screw
18	132004	Keps Locknut 1/4-20	58	850733X004	Upstop Bracket
19	179585	Rope Guide	65	188152	O-Ring
20	189005	Rear Skirt	66	88348	Washer, Flat 3/8
21	88652	Hinge Screw 1/4-20 x 1-1/4	67	193498	Kit, Bushing, High Wheel
24	---	Engine, Briggs & Stratton, Model Number 125K02 (For engine service and replacement parts, call Briggs & Stratton at 1-800-233-3723)	68	193028X428	Bushing, Nylon, Black
25	850999	Screw, Hex Head, Threaded, Rolled 3/8-16 x 2	--	162300	Warning Decal (not shown)
26	83923	Nut, Hex, Flangelock 3/8-16	--	193733	Operator's Manual, English
27	195630	Wheel & Tire Assembly, Rear, 14"	--	193736	Operator's Manual, French
28	160828	Bolt, Shoulder 5/16-18	--	195353	Repair Parts Manual, English / French
30	180411X004	Axle Arm Assembly, Rear, RH			

NOTE: All component dimensions given in U.S. inches.
1 inch = 25.4 mm

IMPORTANT: Use only Original Equipment Manufacturer (O.E.M.) replacement parts. Failure to do so could be hazardous, damage your lawn mower and void your warranty.

ROTARY LAWN MOWER - - CATALOG NUMBER PR675Y21RHP (MFG. ID. NO. 96142000901)

KEY NO.	PART NO.	DESCRIPTION	KEY NO.	PART NO.	DESCRIPTION
1	195091	Drive Control Assembly, Complete	32	189406	Drive Pulley
2	188277	Cover, Top	33	145212	Locknut
3	187353	Pulley	34	194854	Wheel & Tire Assembly, Front
4	188281	Lever	35	180915	Kit, Wheel Adjuster, LH (Includes Knob and Bearing)
5	188276	Cover, Bottom	36	187212	Gear Case Assembly, Complete
6	181698	Screw #8 x .62	37	188331	Pinion Assembly, LH
7	184212X479	Mounting Bracket	38	73800400	Locknut 1/4-20
8	184987	Cap, Bottom	40	182226	Spring
9	183967	Cable, Drive	41	180914	Kit, Wheel Adjuster, RH (Includes Knob and Bearing)
10	195175	Decal, Drive Control Operation	54	194697	Grassbag Assembly
11	185913	Decal, Drive Control Adjustment (back)	55	175739	Driveshaft Cover
12	12000058	E-Ring	57	188815	Frame, Grassbag
13	188330	Pinion Assembly, RH	61	187525	* Case, Lower
14	189403	Dust Cover	62	187526	* Case, Upper
15	184172	Seal, Friction	63	183499	Gear, 27 Teeth
16	67725	Washer 1/2 x 1-1/2 x .134	66	187527	Shaft, Input
17	167387	Bearing, Wheel Adjuster	67	187528	Spacer
18	170143	Selector Knob	69	183505	Wire, Formed
19	175104	Disc, Drive	70	183506	Bearing, Ball
20	188291	Spring, Torsion	72	183508	Seal, Output Shaft
21	175098	Pawl	73	183509	Washer
22	175105	Retainer, Drive, LH	75	183511	Bushing
23	175103	Pinion, Gear	76	187529	Shaft, Output
24	175102	Retainer, Drive, RH	77	183513	Screw
25	188102	Keeper, Belt	78	183514	Seal, Input Shaft
26	173715	Screw			
27	175262	Pan Head Tapping Screw #10-24 x 2-3/4			
28	181466	Drive Cover			
29	169778	V-Belt			
30	77400	Hubcap			
31	132010	Hex Flange Nut			

* Use Dow Corning #709 to reseal Gear Case Halves.

NOTE: All component dimensions given in U.S. inches.
1 inch = 25.4 mm

IMPORTANT: Use only Original Equipment Manufacturer (O.E.M.) replacement parts. Failure to do so could be hazardous, damage your lawn mower and void your warranty.