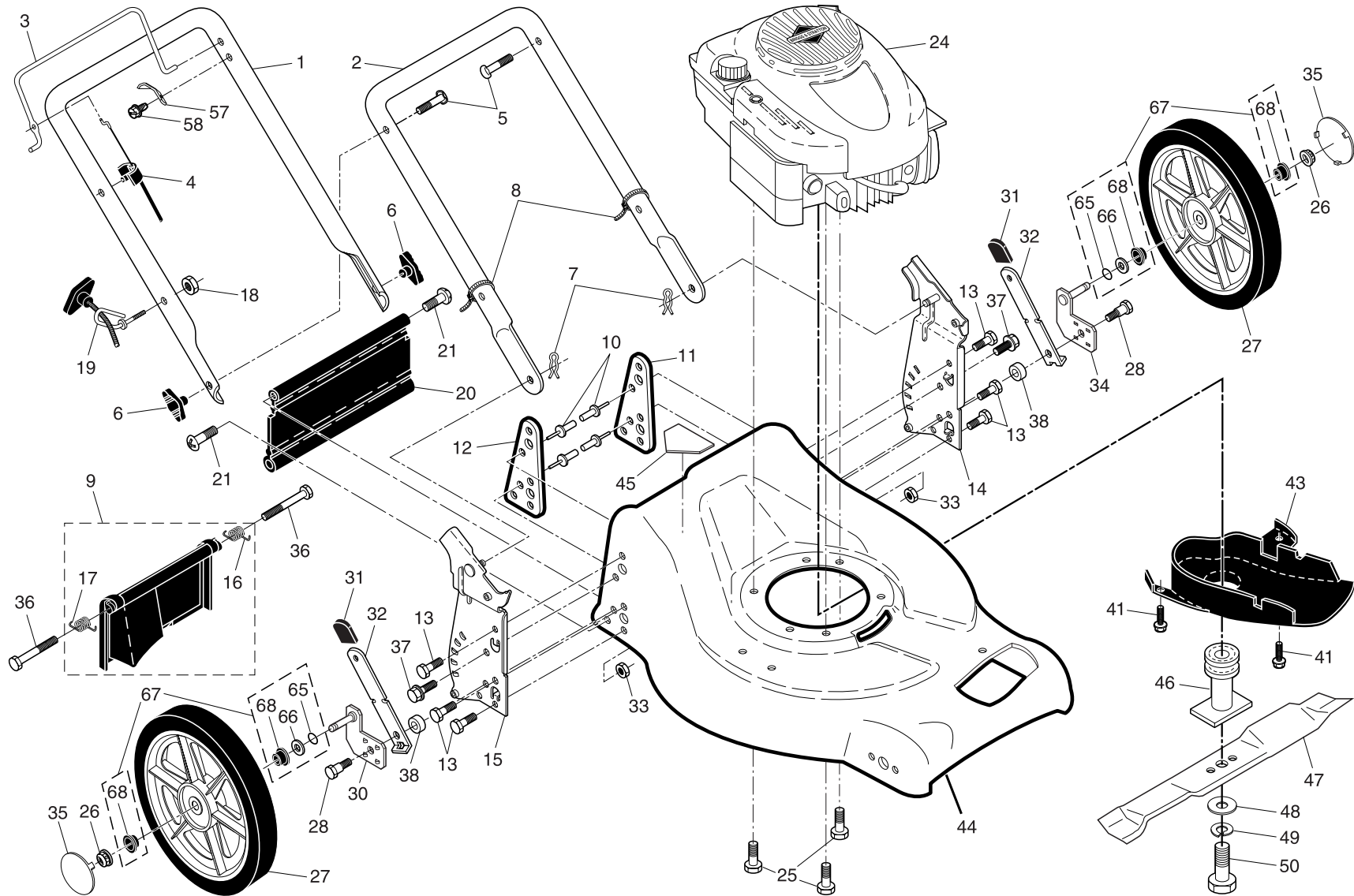


ROTARY LAWN MOWER - - MODEL NUMBER PR675Y21RHP (MFG. ID. NUMBER 96142000900)

2



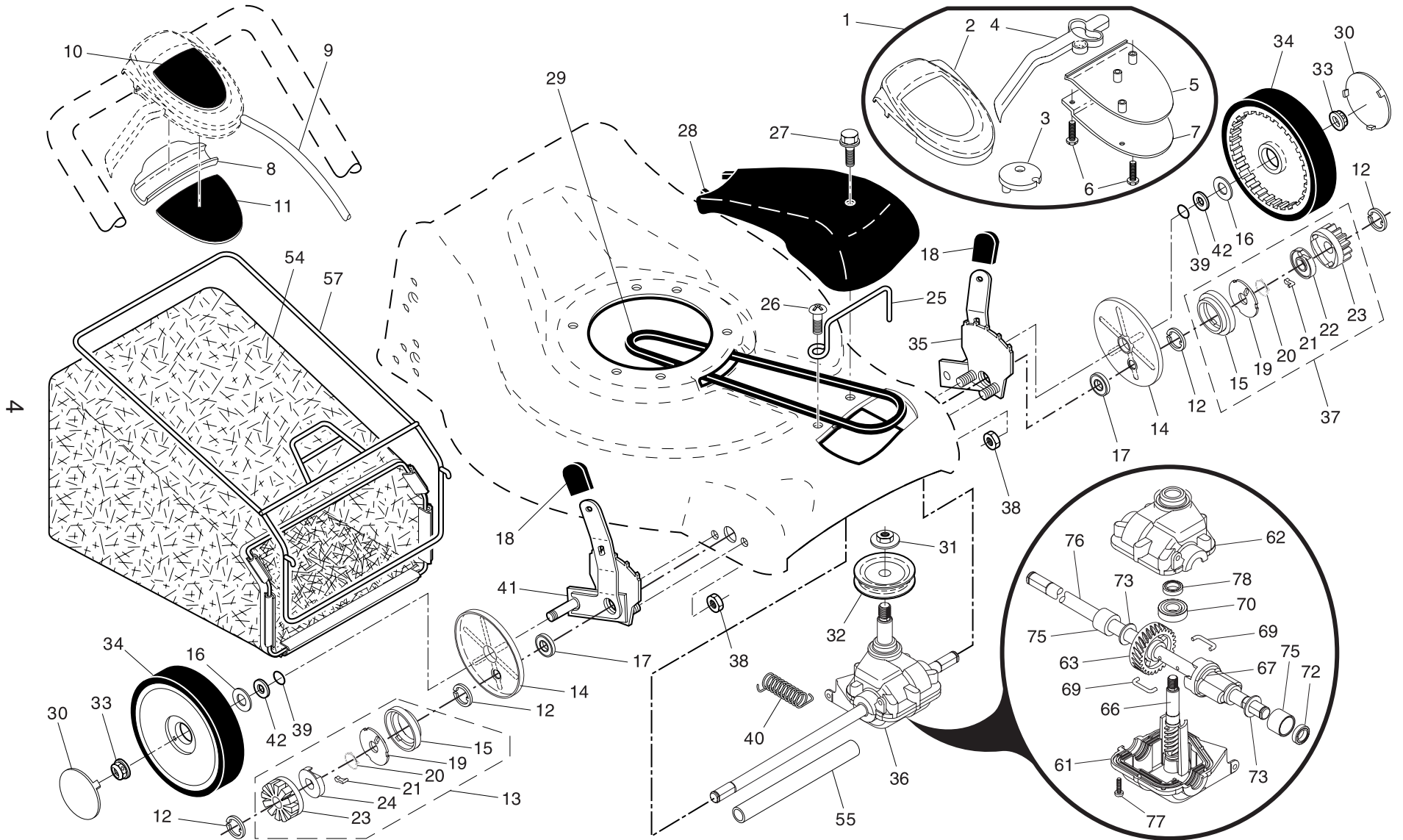
ROTARY LAWN MOWER - - MODEL NUMBER **PR675Y21RHP** (MFG. ID. NUMBER 96142000900)

3

KEY NO.	PART NO.	DESCRIPTION	KEY NO.	PART NO.	DESCRIPTION
1	188190X479	Upper Handle	28	160828	Bolt, Shoulder 5/16-18
2	151721X479	Lower Handle	30	180411X004	Axle Arm Assembly, Rear, RH
3	187940X428	Control Bar	31	175478	Selector Knob
4	183567	Engine Zone Control Cable	32	175053X004	Selector Spring
5	191574	Handle Bolt	33	73800500	Nut, Hex, Nylock 5/16-18
6	189713X428	Handle Knob	34	180412X004	Axle Arm Assembly, Rear, LH
7	51793	Hairpin Cotter	36	184193	Bolt, Rear Door
8	66426	Wire Tie	37	150078	Thread Cutting Screw w/Sems 5/16-18 x 3/4
9	180479	Kit, Rear Door (Includes Key Numbers 16 and 17)	38	19112206	Washer, Flat .34 x 1.38
10	128415	Pop Rivet	41	192325	Screw, Debris Shield
11	175069X479	Support Bracket, LH	43	187038	Debris Shield
12	175070X479	Support Bracket, RH	44	195010	Kit, Housing (Includes Key Numbers 10, 11, 12 and 45)
13	17060410	Screw 1/4-20 x 5/8	45	107339X	Danger Decal
14	181016X428	Handle Bracket Assembly, LH	46	187037	Blade Adapter / Pulley
15	181017X428	Handle Bracket Assembly, RH	47	189028	Blade, 21"
16	180071	Spring, Rear Door, LH	48	851074	Hardened Washer
17	180072	Spring, Rear Door, RH	49	850263	Helical Washer 3/8
18	132004	Keps Locknut 1/4-20	50	179617	Blade Bolt, Hex Head, Grade 8
19	179585	Rope Guide	57	850733X004	Upstop Bracket
20	189005	Rear Skirt	58	750634	Screw #10-24 x 1/2
21	88652	Hinge Screw 1/4-20 x 1-1/4	65	188152	O-Ring
24	- - -	Engine, Briggs & Stratton, Model Number 125K02 (For engine service and replacement parts, call Briggs & Stratton at 1-800-233-3723)	66	88348	Washer, Flat 3/8
25	850999	Screw, Hex Head, Threaded, Rolled 3/8-16 x 2	67	193498	Kit, Bushing, High Wheel
26	83923	Nut, Hex, Flangelock 3/8-16	68	193028X428	Bushing, Nylon, Black
27	181383	Wheel & Tire Assembly, Rear, 14"	- -	162300	Warning Decal (not shown)
			- -	193733	Operator's Manual, English
			- -	193736	Operator's Manual, French
			- -	195095	Repair Parts Manual, English / French

NOTE: All component dimensions given in U.S. inches. 1 inch = 25.4 mm. **IMPORTANT:** Use only Original Equipment Manufacturer (O.E.M.) replacement parts. Failure to do so could be hazardous, damage your lawn mower and void your warranty.

ROTARY LAWN MOWER - - MODEL NUMBER PR675Y21RHP (MFG. ID. NUMBER 96142000900)



ROTARY LAWN MOWER - - MODEL NUMBER **PR675Y21RHP** (MFG. ID. NUMBER 96142000900)

KEY NO.	PART NO.	DESCRIPTION	KEY NO.	PART NO.	DESCRIPTION
1	195091	Drive Control Assembly, Complete	32	189406	Drive Pulley
2	188277	Cover, Top	33	145212	Locknut
3	187353	Pulley	34	180766	Wheel & Tire Assembly, Front
4	195585	Lever	35	180915	Kit, Wheel Adjuster, LH (Includes Knob and Bearing)
5	188276	Cover, Bottom	36	187212	Gear Case Assembly, Complete
6	181698	Screw #8 x .62	37	188331	Pinion Assembly, LH
7	184212X479	Mounting Bracket	38	73800400	Locknut 1/4-20
8	184987	Cap, Bottom	39	188152	O-Ring
9	195412	Cable, Drive	40	182226	Spring
10	195175	Decal, Drive Control Operation	41	180914	Kit, Wheel Adjuster, RH (Includes Knob and Bearing)
11	185913	Decal, Drive Control Adjustment (back)	42	88348	Washer, Flat
12	12000058	E-Ring	54	194697	Grassbag Assembly
13	188330	Pinion Assembly, RH	55	175739	Driveshaft Cover
14	189403	Dust Cover	57	188815	Frame, Grassbag
15	184172	Seal, Friction	61	187525	* Case, Lower
16	67725	Washer 1/2 x 1-1/2 x .134	62	187526	* Case, Upper
17	167387	Bearing, Wheel Adjuster	63	183499	Gear, 27 Teeth
18	170143	Selector Knob	66	187527	Shaft, Input
19	175104	Disc, Drive	67	187528	Spacer
20	188291	Spring, Torsion	69	183505	Wire, Formed
21	175098	Pawl	70	183506	Bearing, Ball
22	175105	Retainer, Drive, LH	72	183508	Seal, Output Shaft
23	175103	Pinion, Gear	73	183509	Washer
24	175102	Retainer, Drive, RH	75	183511	Bushing
25	188102	Keeper, Belt	76	187529	Shaft, Output
26	173715	Screw	77	183513	Screw
27	175262	Pan Head Tapping Screw #10-24 x 2-3/4	78	183514	Seal, Input Shaft
28	181466	Drive Cover			
29	196853	V-Belt			
30	77400	Hubcap			
31	132010	Hex Flange Nut			

* Use Dow Corning #709 to reseal Gear Case Halves.

NOTE: All component dimensions given in U.S. inches. 1 inch = 25.4 mm. **IMPORTANT:** Use only Original Equipment Manufacturer (O.E.M.) replacement parts. Failure to do so could be hazardous, damage your lawn mower and void your warranty.