

ContourCut Art. 8829
ContourCut Set Art. 8819

D Betriebsanleitung
Accu-Buchsschneider

GB Operating Instructions
Accu Boxwood Shaper

F Mode d'emploi
Sculpte-haies sur accu

NL Instructies voor gebruik
Accu-buxusschaar

S Bruksanvisning
freeeClip Buxbomsax

I Istruzioni per l'uso
Rifilatore a batteria

E Manual de instrucciones
Tijeras recortasetos con acumulador

P Instruções de utilização
Tesoura para buxos com acumulador

DK Brugsanvisning
freeeClip Buxbomsaks

GARDENA Accu Boxwood Shaper ContourCut

Welcome to the Garden of GARDENA...



Translation of the original instructions from German. Please read these operating instructions carefully and observe the information they contain. Use these operating instructions to familiarise yourself with the GARDENA Accu Boxwood Shaper, its proper use and the notes on safety.

GB



For safety reasons, children under the age of 16 as well as people who are not familiar with the operating instructions, should not use the Accu Boxwood Shaper. Persons with reduced physical or mental abilities may use the product only if they are supervised or instructed by a responsible person.

→ Please keep these instructions in a safe place.

Contents

1. Where to use your GARDENA Accu Boxwood Shaper	11
2. Safety Instructions	11
3. Mounting	13
4. Initial Operation	13
5. Operating Your Accu Shears	14
6. Putting into Storage	15
7. Maintenance	15
8. Troubleshooting	16
9. Accessories	17
10. Technical Data	17
11. Service / Warranty	18

1. Where to use Your GARDENA Accu Boxwood Shaper

Correct use with contour cutting blades

The GARDENA Accu Boxwood Shaper is meant for cutting shrubs in private houses and hobby gardens.

Correct use with shrub blades

The GARDENA Accu Shrub Shears are intended for cutting individual bushes, shrubs and climbing plants in private domestic and hobby gardens.

DANGER!
Risk of injury!



The Accu Shears must not be used for shredding for composting.

The Accu Shears must not be used for cutting or edging lawns with the Shrub Shears Blade Art. No. 5378.

2. Safety Instructions

→ Please read the notes on safety for your Accu Boxwood Shaper.



WARNING!
Please read the operating instructions before using this tool.



DANGER!
Cutting tool continues to run after switching off!



WARNING!
Do not use in rain or wet conditions.



DANGER!
Keep bystanders away.

Initial Operation

- Inspect these Accu Shears before every use.
- Never disable the safety devices.

Do not use these Accu Shears if the safety devices and/or the blades have been damaged or are worn out.

Proper Use

- Only use the Accu Shears for the purposes specified in these instructions.

Work Clothes

- Do not wear loosely hanging clothes or jewellery etc.
They could become caught in the machine.
- Wear gloves, sturdy shoes and long trousers to protect your legs.

Working Area

You are responsible for the safety of the working area.

- Make sure that there are no other people (especially children) or animals anywhere near the working area.

Area to be Cut

- Inspect the area to be cut before beginning. Remove any objects from the area.
- Look for objects while you are working.
- If you should come across any obstacles when cutting, turn off the shears by releasing the switch on button.

Operating Your Accu Shears



DANGER !

Personal Injury and Damage !

- **Keep your hands and feet away from the cutting tool, especially when the Accu Shears are switched on!**

- If the cutting blades become blocked, turn off the shears (release the switch on button) and remove the object (thick branch or another object) using a blunt device. Never use your fingers to remove objects as the blades can cause serious cuts and injuries.

Charging the Accu



FIRE RISK !

- **Never charge the Accu Shears near acids or easily inflammable materials.**

Only use the original GARDENA Battery Charger for charging. The use of other battery chargers may damage the battery irreparably and even cause a fire.

The charging cable should be checked regularly for signs of damage or ageing (brittleness) and should only be used if it is in perfect condition.

Non-rechargeable batteries must not be charged with this battery charger (danger of fire).

The Accu Shears must not be operated while the battery is charging.

Only charge battery between 10 – 45 °C. After prolonged use allow battery to cool down first.

Working Conditions



RISK OF EXPLOSION !

- **Protect Accu Shears from heat and fire.**

Do not leave on radiators or expose to strong sunshine for long periods.

Only use Accu Shears in an ambient temperature between –10 °C and +45 °C.

Only work when visibility is good.

Be particularly careful when walking backwards. You might stumble!

- When working ensure you adopt a sturdy stance.

Interrupting Your Work

- Never leave the Accu Shears unattended at the working area.
If you should interrupt your work, store the Accu Shears in a safe place.
- If you interrupt your work to move to another working area, you must switch off the Accu Shears until you reach the new working area (release the switch on button).
- Never use your Shears when it is raining or in a damp, wet area.
- Always cover the blade with the blade guard when moving / transporting the Accu Shears.

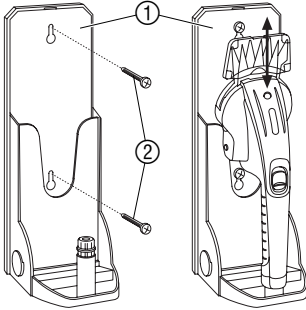
Storage:

The Accu Shears must not be stored over 35 °C or under direct exposure to sunlight.

Do not store the Accu Shears in places with static electricity.

3. Mounting

Wall bracket mounting:



The Accu Boxwood Shaper can be stored on a wall to save space. The packaging serves as a wall mount.

1. Press the wall bracket ① against the wall at the required place and mark the drill holes.
2. Turn in the two screws ② until the screw head is approx. 13 mm from the wall.
3. Suspend the wall bracket ① on the two screws ②.
4. Insert Accu Boxwood Shaper into wall bracket ① from above.

4. Initial Operation

Charging the Accu:

The battery should be fully charged before using for the first time. Charging time (with flat battery) approx. 5 hrs.

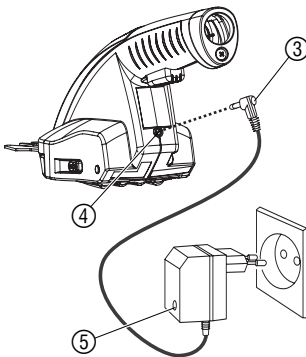
The lithium-ion battery can be recharged in any state of charge, and the charging process can be interrupted at any time without damaging the battery (no memory effect).



WARNING !

Incorrect mains voltage damages batteries and the battery charger.

→ Ensure the correct mains voltage.



1. Insert charging cable ③ into charging socket ④ of Accu Shears.

2. Plug battery charger into a mains socket.

*During charging indicator lamp ⑤ lights up red.
The battery is being charged.*

When the charging indicator lamp ⑤ no longer lights up red, the battery is fully charged.

3. First remove the charging cable ③ from the charging socket ④ and then unplug the battery charger from the mains socket.

When there is a sharp fall in the power of the Accu Boxwood Shaper, the battery needs to be charged. Do not wait until the blade comes to an absolute stop.

If the charging indicator lamp ⑤ flashes red during charging, a fault has occurred (see 8. Troubleshooting).

5. Operating Your Accu Shears

DANGER!
Risk of Injury!

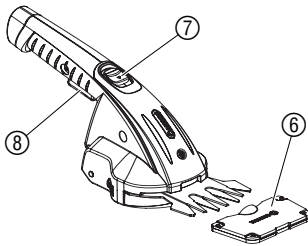


There is a risk of injury if the switching devices installed on the Accu Boxwood Shaper are removed or bridged (e.g. by fastening the on switch to the handle). This prevents the Accu Boxwood Shaper switching off automatically.

→ Never remove or bridge the switching devices.

The starting lockout prevents your GARDENA Accu Boxwood Shaper from being switched on unintentionally.

Cutting Bushes and Shrubs:



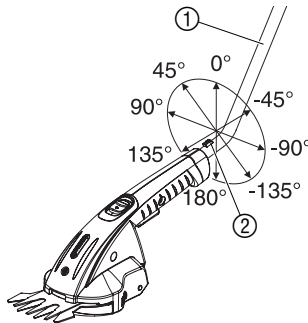
Turning on the boxwood shaper:

1. Fold back and remove blade guard ⑥ (with the shrub shears' blade: remove blade guard ⑥).
2. Disengage the starting lock ⑦ by pushing it forwards and press the ON button ⑧.
3. Release the starting lock ⑦ again.

Switching off the boxwood shaper:

1. Release the start button ⑧.
2. Push the blade guard ⑥ onto the shear blade and close it (with the shrub shears' blade push on blade guard ⑥).

Telescopic Swivel Handle Art. No. 8817 (optional):



The GARDENA Telescopic Swivel Handle Art. No. 8817 or the Accu Shears can be mounted in 45° steps. The swivel handle is fully height adjustable (85 - 120 cm) and can be adapted to suit your height.

Fitting the Telescopic Swivel Handle:

→ Guide the swivel handle ① at the desired angle into the handle holder of the Accu Boxwood Shaper until the lock engages.

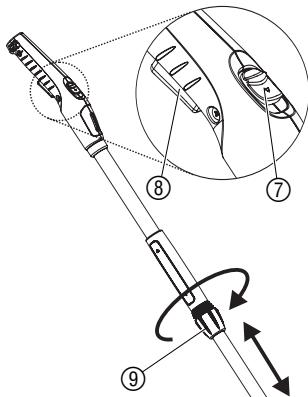
Removing the Telescopic Swivel Handle:

→ Press the release button ② and pull out the swivel handle.

The starting lockout and ON button on the Accu Boxwood Shaper no longer function when the swivel handle is mounted.

Cutting with the Telescopic Swivel Handle:

1. Attach the Telescopic Swivel Handle.
2. Loosen the adjusting bolt ⑨.
3. Set the handle to the correct length and tighten the adjusting bolt ⑨.
4. Disengage the starting lockout ⑦ by pushing it forwards and press the ON button ⑧.
5. Release the starting lockout ⑦ again.



6. Putting into Storage

Storing / Overwintering :

Store your Accu Shears out of the reach of children.

1. Clean the Accu Boxwood Shaper and oil the blades (see 7. Maintenance).
2. Cover the blades with sheath for storage.
3. Store Accu Boxwood Shaper in a cool, dry place where they are protected from frost.

Disposal:

(in accordance with
RL2002/96/EC)



The product must not be added to normal household waste. It must be disposed of in line with local environmental regulations.
→ Important: Make sure that the unit is disposed of via your municipal recycling collection centre.

Disposal of batteries:



The GARDENA Accu Boxwood Shaper contains lithium-ion cells that should not be discarded with normal household waste at the end of their life.

Please return the lithium-ion cells to your GARDENA dealer or dispose of them properly at a public recycling centre.

1. Discharge lithium-ion cells completely.
2. Dispose of lithium-ion cells properly.

7. Maintenance

DANGER !
Risk of Injury!



Blades can cause injury.

→ Do not push the safety lock of the Accu Boxwood Shaper forwards during maintenance work.

DANGER !
Personal Injury and
Damage to Property!



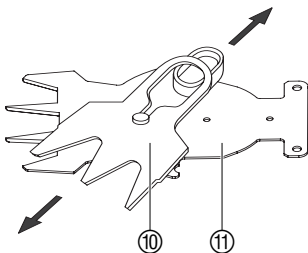
There is a risk of personal injury and damage to the Boxwood Shaper if you clean them under running water (especially under high pressure).

→ Never clean your Accu Boxwood Shaper under running water.

Sharpening the Blades:

To obtain good cutting results, the blades should be cleaned thoroughly from time to time and should always be sharp.

→ Always remove notches and burrs caused by stones etc. immediately.



1. Remove the blades (see 8. Troubleshooting, "Replacing Cutting Blades").
2. Separate the upper blade ⑩ and lower blade ⑪.
3. Remove leaves and dirt from between the upper and lower blades.
4. Sharpen the blades using a sharpening stone.
5. Fit the blades (see 8. Troubleshooting, "Replacing Cutting Blades").

Cleaning the Accu Boxwood Shaper and Oiling the Blades:

To increase the cutting performance and operating life of your Accu Boxwood Shaper, you should clean and oil them both before and after every use.

1. Clean your Accu Boxwood Shaper with a damp cloth.
2. Oil the cutting blades with **GARDENA Cleaning Spray Art. No. 2366** or sewing machine oil, for example.

8. Troubleshooting

DANGER!
Risk of Injury!



Blades can cause serious injury.

→ Do not push the safety lock of the Accu Boxwood Shaper forwards when rectifying faults.

Replacing the Cutting Blades:

If the Accu Shears do not cut cleanly even after thorough cleaning, the cutting blades are defective and must be replaced with new ones.

Please only use original GARDENA Accu Shears Cutting Blades:

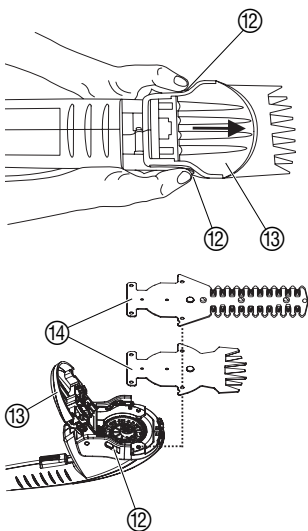
Contour cutting blade set

Art. No. 2344

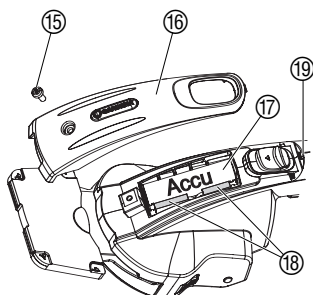
Shrub Shears Blade Set

Art. No. 5378

1. Press both catches ⑫ simultaneously and push the runner ⑬ all the way forwards.
2. Open the runner ⑬ and remove the blade set ⑭.
3. Clean the area around the gears and coat the gear wheels with acid-free grease (Vaseline).
4. Insert the blade set ⑭ and close the runner ⑬.
5. Push the runner ⑬ all the way back until both catches ⑫ engage again.



Changing the battery:



1. Undo screw ⑮ and remove the cover ⑯.
2. Lift the battery ⑰ up and remove the cable lug ⑱.
3. Push the cable lug ⑱ onto the new battery ⑰ and insert the battery ⑰ back into the housing.
4. Insert the cover ⑯ into the recess ⑲ and screw down tightly with the screw ⑮.

The charging indicator lamp flashes red while the shears are charging:

A fault has occurred during charging.

→ Unplug and reinsert battery charger.

The fault will be reset.

If this does not eliminate the fault, please contact GARDENA Service.

The battery is replaceable. Should you require a new battery, please contact GARDENA Service.



In the event of other faults please also get in touch with GARDENA Service. Repairs should only be carried out by GARDENA service centres or dealers authorised by GARDENA.

9. Accessories

Telescopic Swivel Handle	Suitable for all GARDENA Accu Shears	Art. No. 8817
Contour cutting blade set		Art. No. 2344
Shrub Shears Blade Set		Art. No. 5378
Spare battery	For the Accu Boxwood Shaper	obtainable via GARDENA Service

10. Technical Data

	ContourCut Art. 8829	ContourCut Set Art. 8819
Battery	3.6 V	3.6 V
Battery capacity	1 Li-Ion 1.6 Ah	1 Li-Ion 1.6 Ah
Battery charging time	approx. 5 hrs	approx. 5 hrs
Battery charger		
Mains voltage	100 - 240 V / 50 Hz	100 - 240 V / 50 Hz
Rated output current	250 mA	250 mA
Max. output voltage	4.8 V (DC)	4.8 V (DC)
Running time (with fully charged accu)	approx. 45 min.	approx. 55 Min.
Blade	with contour cutting blades 8 cm cutting width Art. No. 2344	with shrub blades 20 cm cutting length Art. No. 5378
Weight	approx. 600 g	approx. 720 g
Working area related emission characteristic value $L_{pA}^{1)}$	78 dB (A)	
Noise level $L_{WA}^{2)}$		measured: 77 dB (A) / guaranteed: 79 dB (A)
Hand/Arm vibrations $a_{vhw}^{1)}$	< 2.5 m/s ²	< 2.5 m/s ²

Measuring method according to 1) prEN 50260-1 2) RL 2000/14/EG

11. Service / Warranty

GARDENA guarantees this product for 2 years (from date of purchase). This guarantee covers all serious defects of the unit that can be proved to be material or manufacturing faults. Under warranty we will either replace the unit or repair it free of charge if the following conditions apply:


- The unit must have been handled properly and in keeping with the requirements of the operating instructions.
- Neither the purchaser nor a non-authorized third party have attempted to repair the unit.

The Blades are wearing parts and are not covered by the guarantee.

This manufacturer's guarantee does not affect the user's existing warranty claims against the dealer/seller.

If a fault occurs with your Accu Boxwood Shaper, please return the faulty unit together with the receipt and a description of the fault, with postage paid to the address of the Service Centre on the back of these operating instructions.

<p>D <i>Produkthftung</i></p>	<p>Wir weisen ausdrücklich darauf hin, dass wir nach dem Produkthaftungsgesetz nicht für durch unsere Geräte hervorgerufene Schäden einzustehen haben, sofern diese durch unsachgemäße Reparatur verursacht oder bei einem Teileaustausch nicht unsere Original GARDENA Teile oder von uns freigegebene Teile verwendet werden und die Reparatur nicht vom GARDENA Service oder dem autorisierten Fachmann durchgeführt wird. Entsprechendes gilt für Ergänzungssteile und Zubehör.</p>
<p>GB <i>Product Liability</i></p>	<p>We expressly point out that, in accordance with the product liability law, we are not liable for any damage caused by our units if it is due to improper repair or if parts exchanged are not original GARDENA parts or parts approved by us, and, if the repairs were not carried out by a GARDENA Service Centre or an authorised specialist. The same applies to spare parts and accessories.</p>
<p>F <i>Responsabilité</i></p>	<p>Nous vous signalons expressément que GARDENA n'est pas responsable des dommages causés par ses appareils, dans la mesure où ces dommages seraient causés suite à une réparation non conforme, dans la mesure où, lors d'un échange de pièces, les pièces d'origine GARDENA n'auraient pas été utilisées, ou si la réparation n'a pas été effectuée par le Service Après-Vente GARDENA ou l'un des Centres SAV agréés GARDENA. Ceci est également valable pour tout ajout de pièces et d'accessoires autres que ceux préconisés par GARDENA.</p>
<p>NL <i>Productaansprakelijkheid</i></p>	<p>Wij wijzen er nadrukkelijk op, dat wij op grond van de wet aansprakelijkheid voor producten niet aansprakelijk zijn voor schade ontstaan door onze apparaten, indien deze door onvakkundige reparatie veroorzaakt zijn, of er bij het uitwisselen van onderdelen geen gebruik gemaakt werd van onze originele GARDENA onderdelen of door ons vrijgegeven onderdelen en de reparatie niet door de GARDENA technische dienst of de bevoegde vakman uitgevoerd werd. Ditzelfde geldt voor extra-onderdelen en accessoires.</p>
<p>S <i>Produktansvar</i></p>	<p>Tillverkaren är inte ansvarig för skada som orsakats av produkten om skadan beror på att produkten har reparerats felaktigt eller om, vid reparation eller utbyte, andra än Original GARDENA reservdelar har använts. Samma sak gäller för kompletteringsdelar och tillbehör.</p>
<p>I <i>Responsabilità del prodotto</i></p>	<p>Si rende espressamente noto che, conformemente alla legislazione sulla responsabilità del prodotto, non si risponde di danni causati da nostri articoli se originati da riparazioni eseguite non correttamente o da sostituzioni di parti effettuate con materiale non originale GARDENA o comunque da noi non approvato e, in ogni caso, qualora l'intervento non venga eseguito da un centro assistenza GARDENA o da personale specializzato autorizzato. Lo stesso vale per le parti complementari e gli accessori.</p>
<p>E <i>Responsabilidad de productos</i></p>	<p>Advertimos que conforme a la ley de responsabilidad de productos no nos responsabilizamos de daños causados por nuestros aparatos, siempre y cuando dichos daños hayan sido originados por arreglos o reparaciones indebidas, por recambios con piezas que no sean piezas originales GARDENA o bien piezas autorizadas por nosotros, así como en aquellos casos en que la reparación no haya sido efectuada por un Servicio Técnico GARDENA o por un técnico autorizado. Lo mismo es aplicable para las piezas complementarias y accesorios.</p>
<p>P <i>Responsabilidade sobre o produto</i></p>	<p>Queremos salientar que segundo a lei da responsabilidade do fabricante, nós não nos responsabilizaremos por danos causados pelo nosso equipamento, quando estes ocorram em decorrência de reparações inadequadas ou da substituição de peças por peças não originais da GARDENA, ou peças não autorizadas. A responsabilidade tornar-se-à nula também depois de reparações realizadas por oficinas não autorizadas pela GARDENA. Esta restrição valerá também para peças adicionais e acessórios.</p>
<p>DK <i>Produktansvar</i></p>	<p>Vi gør udtrykkeligt opmærksom på at i henhold til produktansvarsloven er vi ikke ansvarlige for skader forårsaget af vores udstyr, hvis det skyldes uautoriserede reparationer eller hvis dele er skiftet ud og der ikke er anvendt originale GARDENA dele eller dele godkendt af os, eller hvis reparationerne ikke er udført af GARDENA-service eller en autoriseret fagmand. Det samme gælder for ekstra udstyr og tilbehør.</p>

<p>D EU-Konformitätserklärung Maschinenverordnung (9. GSGVO) / EMVG / Niedersp. RL Der Unterzeichnete GARDENA Manufacturing GmbH, Hans-Lorenser-Str. 40, D-89079 Ulm, bestätigt, dass das nachfolgend bezeichnete Gerät in der von uns in Verkehr gebrachten Ausführung die Anforderungen der harmonisierten EU-Richtlinien, EU-Sicherheitsstandards und produktspezifischen Standards erfüllt. Bei einer nicht mit uns abgestimmten Änderung des Gerätes verliert diese Erklärung ihre Gültigkeit.</p>	<p>Bezeichnung des Gerätes: Accu-Buchsschneider Description of the unit: Accu Boxwood Shaper Désignation du matériel : Sculpte-haies sur accu Omschrijving van het apparaat: Accu-buxusschaar Produktbeskrivning: freeeClip Buxbomsax Descrizione del prodotto: Rifilatore a batteria Descripción de la mercancía: Tijeras recortasetos con acumulador</p> <p>Descrição do aparelho: Tesoura para buxos com acumulador Beskrivelse af enhederne: freeeClip Buxbomsaks</p>
<p>GB EU Certificate of Conformity The undersigned GARDENA Manufacturing GmbH, Hans-Lorenser-Str. 40, D-89079 Ulm, hereby certifies that, when leaving our factory, the unit indicated below is in accordance with the harmonised EU guidelines, EU standards of safety and product specific standards. This certificate becomes void if the unit is modified without our approval.</p>	<p>Typ: Art.-Nr.: Type: Art. No.: Type : Référence : Typ: ContourCut Art. nr.: 8829 Type: Art.nr.: Modello: ContourCut-Set Art.: 8819 Tipo: Art. Nº: Tipo: Art. Nº: Type: Varenr.:</p>
<p>F Certificat de conformité aux directives européennes Le constructeur, soussigné : GARDENA Manufacturing GmbH, Hans-Lorenser-Str. 40, D-89079 Ulm, déclare qu'à la sortie de ses usines le matériel neuf désigné ci-dessous était conforme aux prescriptions des directives européennes énoncées ci-après et conforme aux règles de sécurité et autres règles qui lui sont applicables dans le cadre de l'Union européenne. Toute modification portée sur ce produit sans l'accord express de GARDENA supprime la validité de ce certificat.</p>	<p>EU-Richtlinien: 98/37/EC : 1998 EU directives: 2006/42/EC : 2006 Directives européennes : 2004/108/EC EU-richtlijnen: 2004/108/EC EU direktiv: 93/68/EC Direttive UE: 93/68/EC Normativa UE: 2006/95/EC* Directrices da UE: 2006/95/EC* EU Retningslinier: 2000/14/EC</p>
<p>NL EU-overeenstemmingsverklaring Ondergetekende GARDENA Manufacturing GmbH, Hans-Lorenser-Str. 40, D-89079 Ulm, bevestigt, dat het volgende genoemde apparaat in de door ons in de handel gebrachte uitvoering voldoet aan de eis van, en in overeenstemming is met de EU-richtlijnen, de EU-veiligheidsstandaard en de voor het product specifieke standaard. Bij een niet met ons afgestemde verandering aan het apparaat verliest deze verklaring haar geldigheid.</p>	<p>Harmonisierte EN* EN 60335-1 : 2002 + A12 : 2007 EN 60335-2-29 : 2004</p> <p>Ladegerät*, Charging Unit* Chargeur*, Acculader* Laddare*, Unità di ricarica Terminal de recarga* Carregador*</p>
<p>S EU Tillverkarintyg Undertecknad firma GARDENA Manufacturing GmbH, Hans-Lorenser-Str. 40, D-89079 Ulm, intygar härmed att nedan nämnda produkter överensstämmer med EU:s direktiv, EU:s säkerhetsstandard och produktspecifikation. Detta intyg upphör att gälla om produkten ändras utan vårt tillstånd.</p>	<p>Schall-Leistungspegel: gemessen / garantiert Noise level: measured / guaranteed Puissance acoustique : mesurée / garantie Geluidsniveau: gemeten / gegarandeerd Ljudnivå: uppmätt / garanterat Livello rumorosità: testato / garantito Nível sonoro: medido / garantizado Nível de ruído: medido / garantido Lydtrykniveau: afmålt / garanti Art. 8819 77 dB (A) / 79 dB (A)</p>
<p>I Dichiarazione di conformità alle norme UE La sottoscritta GARDENA Manufacturing GmbH, Hans-Lorenser-Str. 40, D-89079 Ulm, certifica che il prodotto qui di seguito indicato, nei modelli da noi commercializzati, è conforme alle direttive armonizzate UE nonché agli standard di sicurezza e agli standard specifici di prodotto. Qualunque modifica apportata al prodotto senza nostra specifica autorizzazione invalida la presente dichiarazione.</p>	<p>Anbringningsjahr der CE-Kennzeichnung: Year of CE marking: Date d'apposition du marquage CE : Installatiejaar van de CE-aanduiding : CE-Märkningsår: 2007 Anno di rilascio della certificazione CE: Colocación del distintivo CE: Ano de marcação pela CE: CE-Mærkningsår:</p>
<p>E Declaración de conformidad de la UE El que suscribe GARDENA Manufacturing GmbH, Hans-Lorenser-Str. 40, D-89079 Ulm, declara que la presente mercancía, objeto de la presente declaración, cumple con todas las normas de la UE, en lo que a normas técnicas, de homologación y de seguridad se refiere. En caso de realizar cualquier modificación en la presente mercancía sin nuestra previa autorización, esta declaración pierde su validez.</p>	<p>Anbringningsjahr der CE-Kennzeichnung: Year of CE marking: Date d'apposition du marquage CE : Installatiejaar van de CE-aanduiding : CE-Märkningsår: 2007 Anno di rilascio della certificazione CE: Colocación del distintivo CE: Ano de marcação pela CE: CE-Mærkningsår:</p>
<p>P Certificado de conformidad da UE Os abaixo mencionados GARDENA Manufacturing GmbH, Hans-Lorenser-Str. 40, D-89079 Ulm, por este meio certificam que ao sair da fábrica o aparelho abaixo mencionado está de acordo com as diretrizes harmonizadas da UE, padrões de segurança e de produtos específicos. Este certificado ficará nulo se a unidade for modificada sem a nossa aprovação.</p>	<p>Ulm, den 01.09.2007 Ulm, 01.09.2007 Fait à Ulm, le 01.09.2007 Ulm, 01-09-2007 Ulm, 2007.01.09. Ulm, 01.09.2007 Ulm, 01.09.2007 Ulm, 01.09.2007 Ulm, 01.09.2007 Ulm, 01.09.2007</p> <p>Der Bevollmächtigte Authorised representative Représentant légal Gemachtigde Behörig Firmatecknare Rappresentante autorizzato Representante autorizado Representante autorizado Teknisk direktør</p>
<p>DK EU Overensstemmelse certificat Undertegnede GARDENA Manufacturing GmbH, Hans-Lorenser-Str. 40, D-89079 Ulm bekræfter hermed, at enheder listet herunder, ved afsendelse fra fabrikken, er i overensstemmelse med harmoniserede EU retningslinier, EU sikkerhedsstandarder og produktspecifikationsstandarder. Dette certifikat træder ud af kraft hvis enhederne er ændret uden vor godkendelse.</p>	<p> Peter Lameli Vice president</p>

Deutschland / Germany

GARDENA
Manufacturing GmbH
Central Service
Hans-Lorenser-Straße 40
D-89079 Ulm
Produktfragen:
(+49) 731 490-123
Reparaturen:
(+49) 731 490-290
service@gardena.com

Argentina

Husqvarna Argentina S.A.
Vera 745
(C1414AOO) Buenos Aires
Phone: (+54) 11 4858-5000
diego.poggi@ar.husqvarna.com

Australia

Husqvarna Australia Pty. Ltd.
Locked Bag 18
Gosford NSW 2250
Phone: (+61) (0) 2 4372 1500
customer.service@
husqvarna.com.au

Austria / Österreich

Husqvarna Austria GmbH
Consumer Products
Industriezeile 36
4010 Linz
Tel.: (+43) 732 77 01 01 - 90
consumer.service@
husqvarna.at

Belgium

GARDENA Belgium NV/SA
Sterrebeekstraat 163
1930 Zaventem
Phone: (+32) 2 720 92 12
Mail: info@gardena.be

Brazil

Palash Comércio e
Importação Ltda.
Rua São João do Araguaia, 338
- Jardim Califórnia -
Barueri - SP - Brasil -
CEP 06409-060
Phone: (+55) 11 4198-9777
eduardo@palash.com.br

Bulgaria

Хускварна България ЕООД
1799 София
Бул. „Андрей Ляпчев“ № 72
Тел.: (+359) 2 80 99 424
www.husqvarna.bg

Canada

GARDENA Canada Ltd.
100 Summerlea Road
Brampton, Ontario L6T 4X3
Phone: (+1) 905 792 93 30
info@gardenacanada.com

Chile

Antonio Martinic y Cia Ltda.
Cassillas 272
Centro de Cassillas
Santiago de Chile
Phone: (+56) 2 20 10 708
garfar_cl@yahoo.com

Costa Rica

Compania Exim
Euroberoamericana S.A.
Los Colegios, Moravia,
200 metros al Sur del Colegio
Saint Francis - San José
Phone: (+506) 297 68 83
exim_euro@racsa.co.cr

Croatia

KLIS d.o.o.
Stanciceva 79
10419 Vukovina
Phone: (+385) 1 622 777 0
gardena@klis-trgovina.hr

Cyprus

FARMOKIPIKI LTD
P.O. Box 7098
74, Digeni Akritas Ave.
1641 Nicosia
Phone: (+357) 22 75 47 62
condam@spidernet.com.cy

Czech Republic

GARDENA spol. s r.o.
Tuřanka 115
627 00 Brno
Phone: (+420) 548 217 777
gardena@gardenabrno.cz

Denmark

GARDENA
Husqvarna Consumer Outdoor
Products
Salgsafdelning Danmark
Box 9003
S-200 39 Malmö
info@gardena.dk

Estonia

Husqvarna Eesti OÜ
Consumer Outdoor Products
Kesk tee 10, Aaviku küla
Rae vald, Harju maakond
75305
kontakt.etj@husqvarna.ee

Finland

Oy Husqvarna Ab
Consumer Outdoor Products
Lautatarhankatu 8 B / PL 3
00581 HELSINKI
info@gardena.fi

France

GARDENA France
Immeuble Exposial
9 - 11 allée des Pierres Mayettes
ZAC des Barbanniers, B.P. 99
- F - 92232 GENNEVILLIERS
cedex
Tél. (+33) 01 40 85 30 40
service.consommateurs@
gardena.fr

Great Britain

Husqvarna UK Ltd
Preston Road
Aycliffe Industrial Park
Newton Aycliffe
County Durham
DL5 6UP
info.gardena@
husqvarna.co.uk

Greece

HUSQVARNA GREECE S.A.
Branch of Koropi
Ifestou 33A
Industrial Area Koropi
194 00 Athens - Greece
V.A.T. EL094094640
Phone: (+30) 210 66 20 225
info@husqvarna-consumer.gr

Hungary

Husqvarna
Magyarország Kft.
Ezred u. 1 - 3
1044 Budapest
Phone: (+36) 80 20 40 33
gardena@gardena.hu

Iceland

Ó. Johnson & Kaaber
Tunguhalsi 1
110 Reykjavik
ooj@ojk.is

Ireland

Michael McLoughlin & Sons
Hardware Limited
Long Mile Road
Dublin 12

Italy

GARDENA Italia S.p.A.
Via Donizetti 22
20020 Lainate (Mi)
Phone: (+39) 02.93.94.79.1
info@gardenaitalia.it

Japan

KAKUICHI Co. Ltd.
Sumitomo Realty &
Development Kojimachi
BLDG., 8F, 5-1 Nibanbun,
Chiyoda-ku, Tokyo 102-0084
Phone: (+81) 33 264 4721
m_ishihara@kaku-ichi.co.jp

Latvia

SIA „Husqvarna Latvija“
Consumer Outdoor Products
Bakūžu iela 6, Rīga, LV-1024
info@husqvarna.lv

Lithuania

UAB Husqvarna Lietuva
Consumer Outdoor Products
Atleities pl. 77C
LT-52104 Kaunas
centras@husqvarna.lt

Luxembourg

Magasins Jules Neuberg
39, rue Jacques Stas
Luxembourg-Gasperich 2549
Case Postale No. 12
Luxembourg 2010
Phone: (+352) 40 14 01
api@neuberg.lu

Netherlands

GARDENA Nederland B.V.
Postbus 50176
1305 AD ALMERE
Phone: (+31) 36 521 00 00
info@gardena.nl

Neth. Antilles

Jonka Enterprises N.V.
Sta. Rosa Weg 196
P.O. Box 8200, Curaçao
Phone: (+599) 9 767 66 55
pgm@jonka.com

New Zealand

Husqvarna New Zealand Ltd.
PO Box 76437
Manukau City 2241
Phone: (+64) (09) 92024 10

Norway

GARDENA
Husqvarna Consumer Outdoor
Products
Salgskontor Norge
Kleiverveien 6
1540 Vestby
info@gardena.no

Poland

Husqvarna Poland Spółka z o.o.
Oddział w Szymanowie
Szymanów 9 d
05-532 Baniocha
Phone: (+48) 22 727 56 90
gardena@gardena.pl

Portugal

GARDENA Portugal Lda.
Sintra Business Park
Edifício 1, Fracção 0-G
2710-089 Sintra
Phone: (+351) 21 922 85 30
info@gardena.pt

Romania

MADEX INTERNATIONAL SRL
Soseaua Odaii 117-123,
Sector 1,
București, RO 013603
Phone: (+40) 21 352 76 03
madex@ines.ro

Russia

ООО ГАРДЕНА PVC
123007, г. Москва
Хорошевское шоссе, д. 32А
Тел.: (+7) 495 380 31 92
info@gardena-rus.ru

Singapore

Hy - Ray PRIVATE LIMITED
40 Jalan Pemimpin
#02-08 Tat Ann Building
Singapore 577185
Phone: (+65) 6253 2277
shiyang@hyray.com.sg

Slovak Republic

GARDENA spol. s r.o.
Tuřanka 115
627 00 Brno
Phone: (+420) 548 217 777
gardena@gardenabrno.cz

Slovenia

GARDENA d.o.o.
Brodšče 15
1236 Trzin
Phone: (+386) 1 580 93 32
servis@gardena.si

South Africa

GARDENA
South Africa (Pty.) Ltd.
P.O. Box 11534
Vorna Valley 1686
Phone: (+27) 11 315 02 23
sales@gardena.co.za

Spain

GARDENA IBÉRICA S.L.U.
C/ Basauri, nº 6
La Florida
28023 Madrid
Phone: (+34) 91 708 05 00
atencioncliente@gardena.es

Sweden

GARDENA
Husqvarna Consumer Outdoor
Products
Försäljningskontor Sverige
Box 9003
200 39 Malmö
info@gardena.se

Switzerland / Schweiz

Husqvarna Schweiz AG
Consumer Products
Industriestrasse 10
5506 Mägenwil
Phone: (+41) (0) 848 800 464
info@gardena.ch

Turkey

GARDENA / Dost Diş Ticaret
Müessesilik A.Ş. Sanayi
Çad. Adil Sokak No. 1
Kartal - Istanbul
Phone: (+90) 216 38 93 939
info@gardena-dost.com.tr

Ukraine / Україна

ТОВ «ГАРДЕНА УКРАЇНА»
Васильківська, 34, 204-Г
03022, Київ
Тел. (+38 044) 498 39 02
info@gardena.ua

8829-20.960.06/1108
© GARDENA
Manufacturing GmbH
D-89070 Ulm
http://www.gardena.com