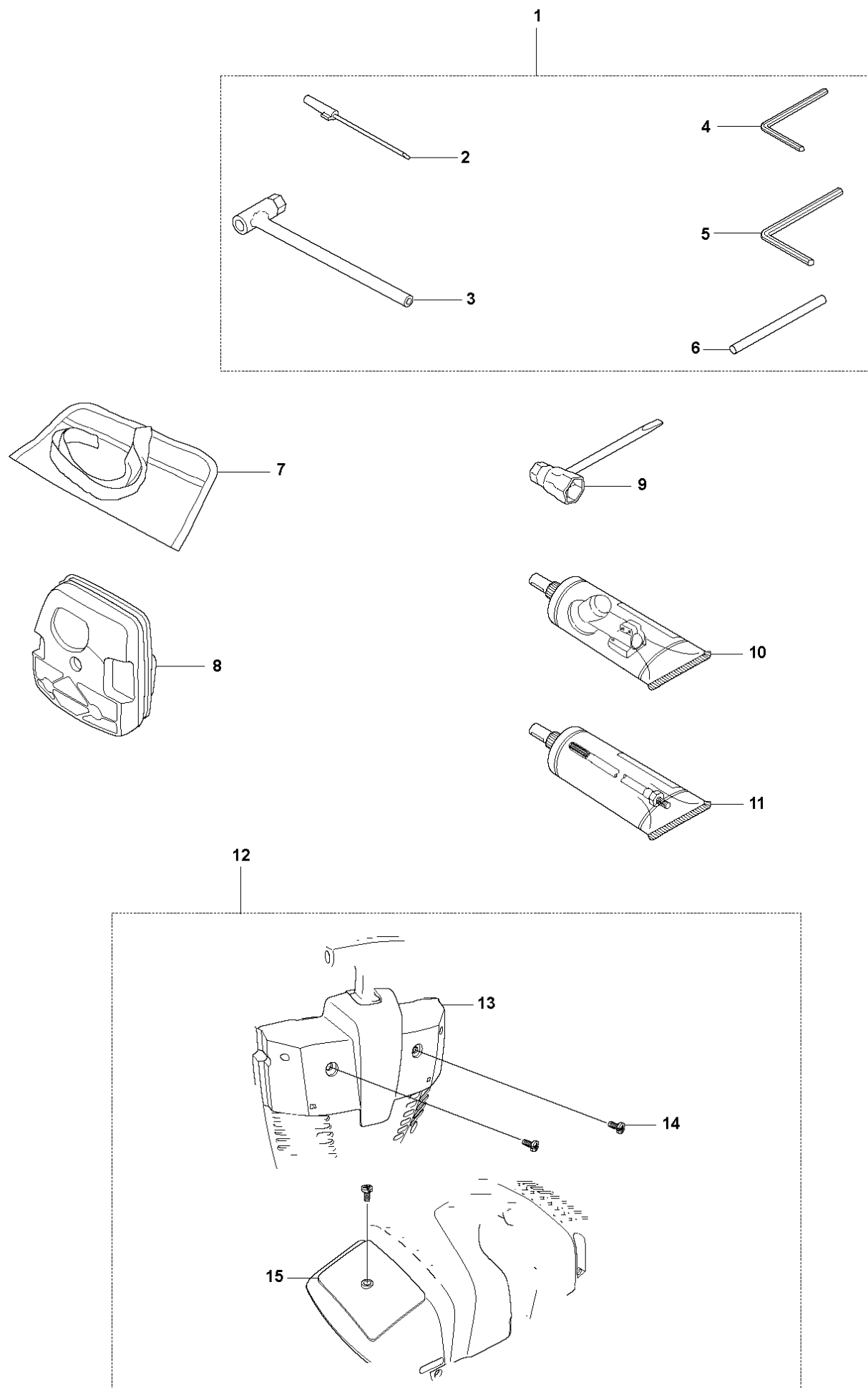




# SPARE PARTS LIST

BRUSHCUTTERS/CLEARING SAWS

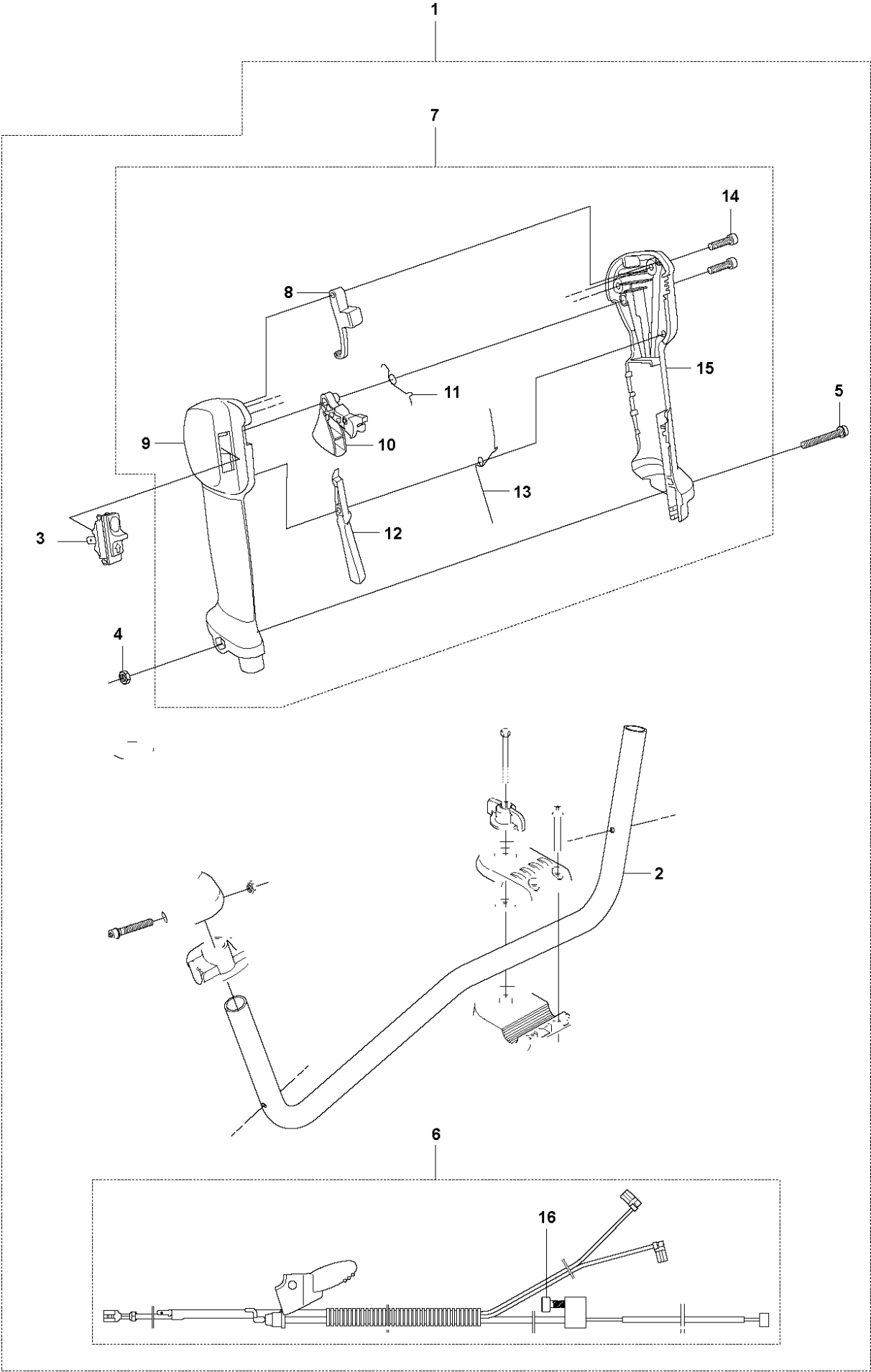
FC2145, 2008-05



## ACCESSORIES

FC2145, 2008-05

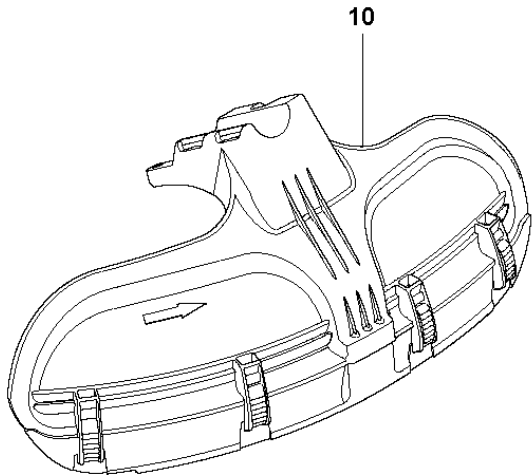
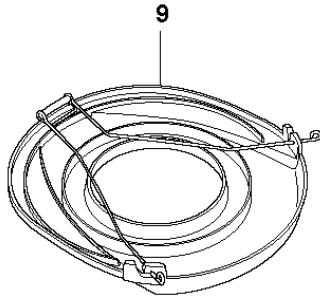
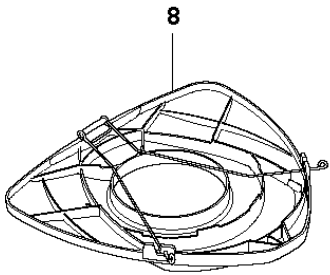
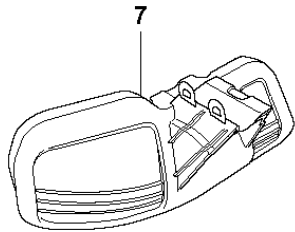
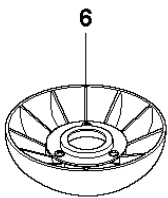
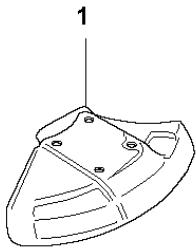
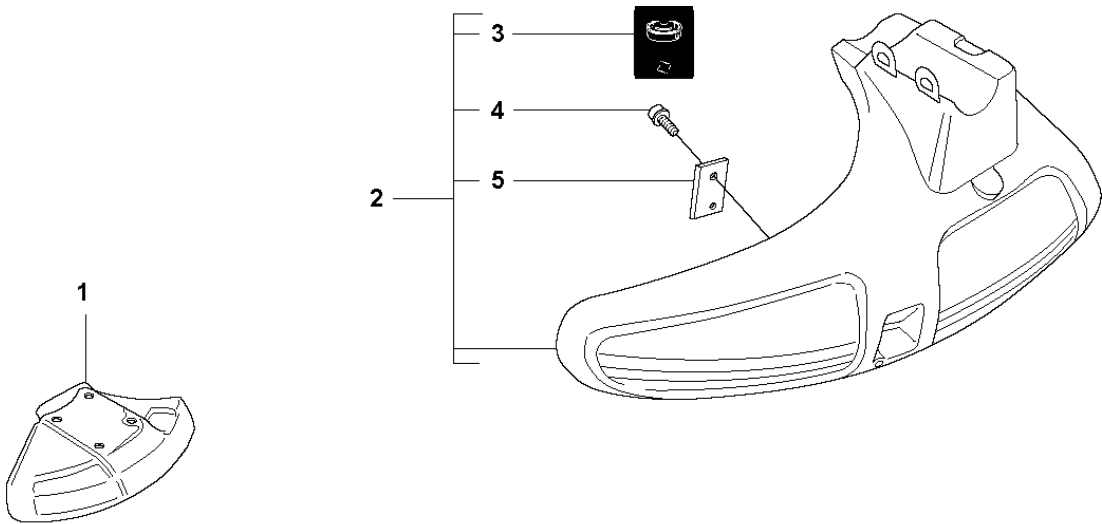
Ref	Part No	Description	Remark	QTY	KIT
1	502 21 60-13	ACCESSORY BAG		1	
2	501 60 02-03	SCREWDRIVER		1	1
3	502 11 46-03	KEY		1	1
4	502 21 58-01	L-NYCKEL		1	1
5	503 55 86-02	SPANNER		1	1
6	502 28 59-01	STOP		1	1
7	501 19 22-01	TOOL CASING		1	
8	537 38 11-01	FILTER		1	
8	537 38 11-02	FILTER		1	
8	537 38 11-03	FILTER		1	
8	537 38 11-04	FILTER		1	
9	501 69 17-01	COMBINATION WRENCH		1	
10	503 97 65-01	GREASE		1	
11	503 80 17-01	GREASE		1	
12	537 41 00-01	WINTER KIT		1	
13	537 26 54-01	WINTER COVER		1	12
14	503 21 70-10	SCREW CCRPANT		3	12
15	537 26 53-01	WINTER COVER		1	12



## ACCESSORIES

FC2145, 2008-05

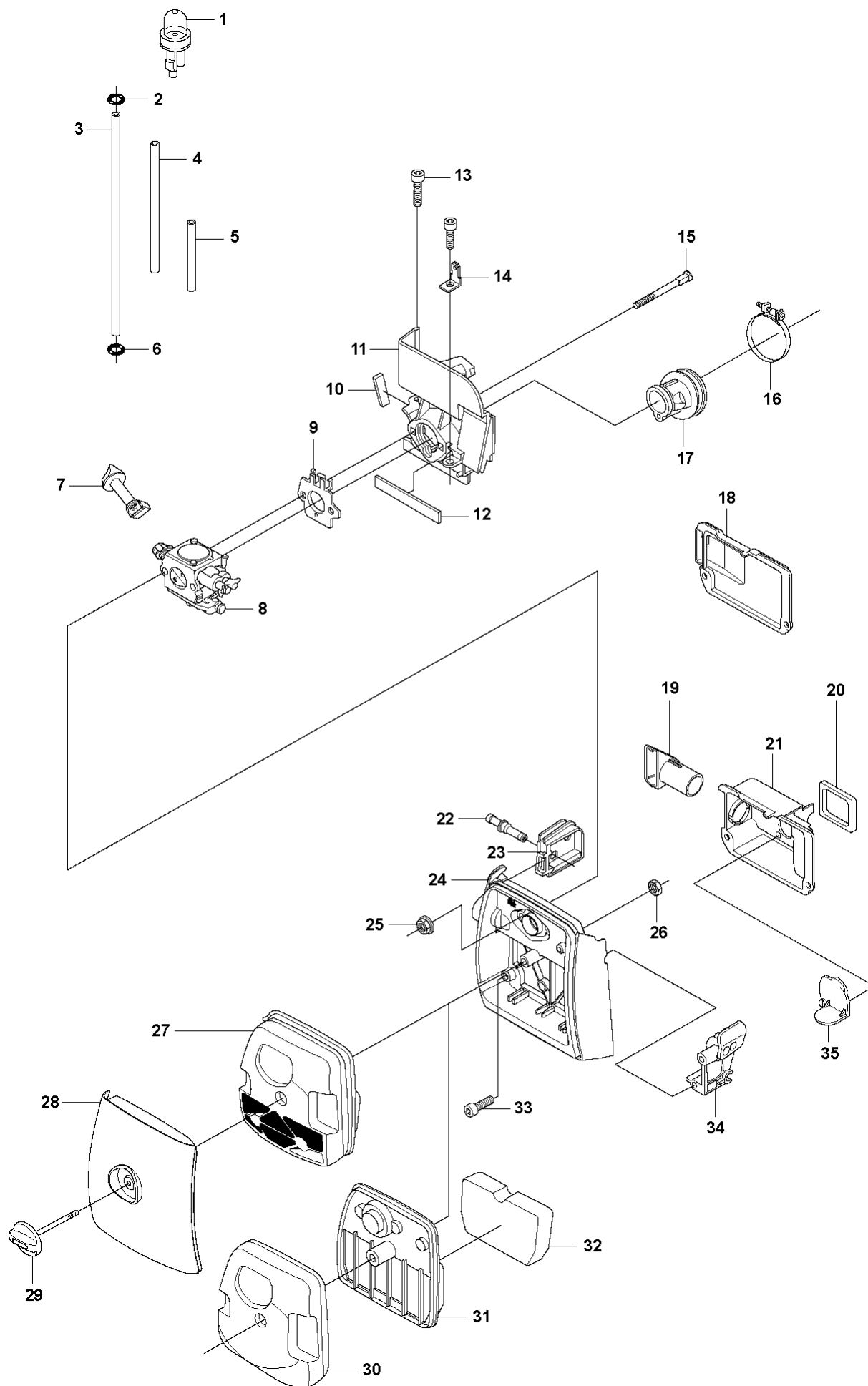
Ref	Part No	Description	Remark	QTY	KIT
1	510 11 88-02	KIT		1	
2	537 33 49-01	HANDLEBAR		1	1
3	503 41 90-01	CHAIN BRAKE ASSY		1	1
4	503 22 10-13	HEXAGON NUT		1	1
5	503 20 07-35	SCREW IHSCFM		1	1
6	544 97 78-02	WIRING ASSY		1	1
7	504 20 98-06	THROTTLE HANDLE ASSY		1	1
8	537 16 07-02	STARTER THROTTLE LOC		1	1,7
9	537 18 07-04	HANDLE HALF		1	1,7
10	537 16 08-02	THROTTLE TRIGGER		1	1,7
11	537 17 42-01	SPRING THROTTLE TRIG		1	1,7
12	537 16 06-02	THROTTLE LOCKOUT		1	1,7
13	537 17 43-01	SPRING		1	1,7
14	503 21 66-18	SCREW IHSCCT		2	1,7
15	537 18 08-07	HANDLE HALF		1	1,7
16	503 21 66-16	SCREW IHSCCT		1	1,6,7



## ACCESSORIES

FC2145, 2008-05

Ref	Part No	Description	Remark	QTY	KIT
1	544 01 65-01	SAW BLADE GUARD		1	
1	537 21 71-01	SAW BLADE GUARD		1	
2	503 95 43-03	TRIMMER GUARD		1	
3	503 74 29-01	DECAL		1	2
4	503 21 07-16	SCREW IHSCT		1	2
5	503 79 88-01	BLADE		1	2
6	502 15 70-02	SUPPORT CUP		1	
7	537 28 85-02	GRASS BLADE GUARD		1	
8	544 35 91-01	TRANSPORT GUARD		1	
9	537 31 29-01	SAW BLADE GUARD		1	
10	544 46 43-03	COMBI GUARD		1	

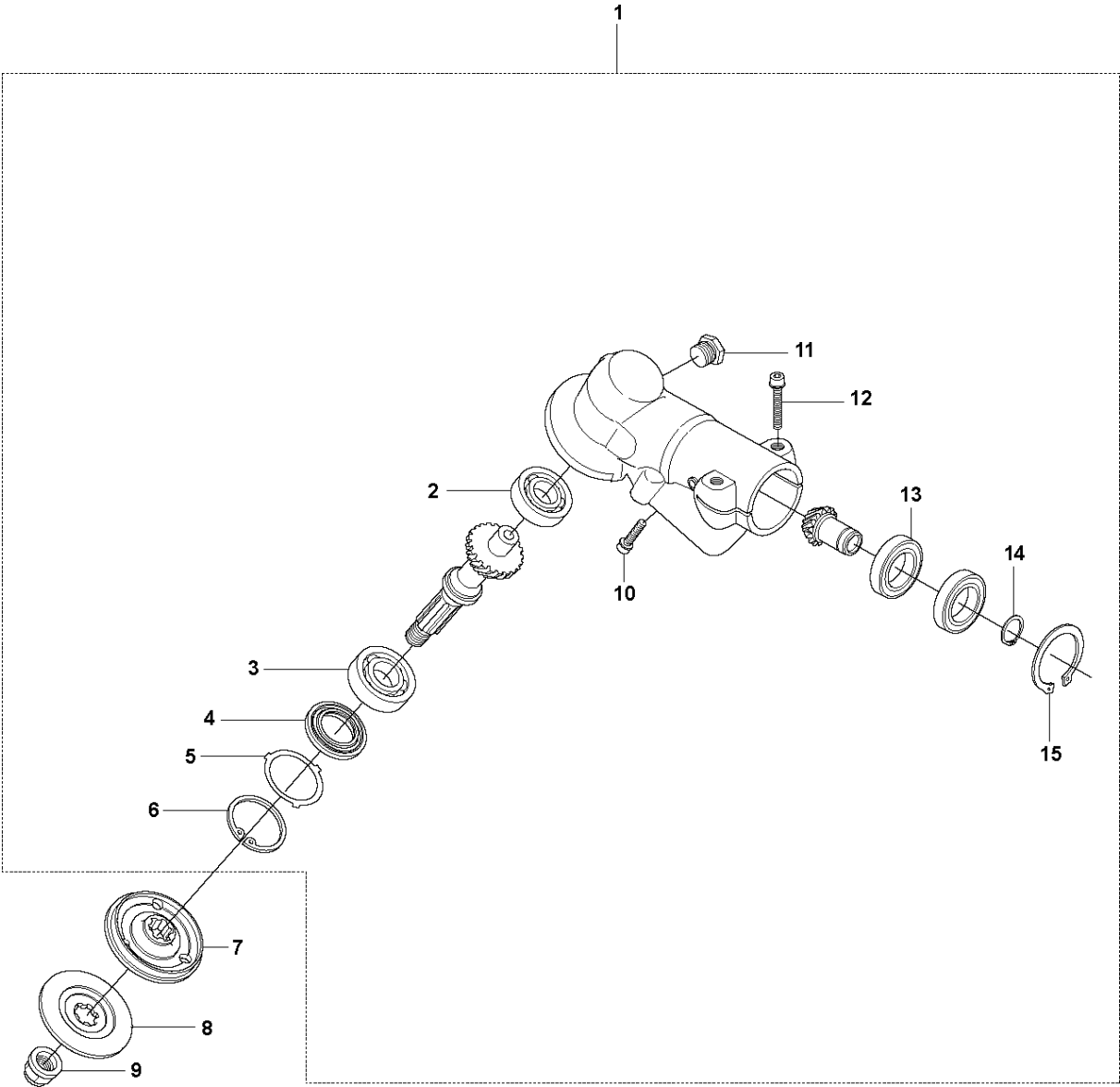




## AIR FILTER

FC2145, 2008-05

Ref	Part No	Description	Remark	QTY KIT
1	503 93 66-01	PRIMER HOUSING		1
2	537 18 49-01	O-RING		1
3	544 32 49-23	FUEL HOSE		1
4	537 04 24-01	FUEL HOSE		1
5	537 05 23-03	FUEL HOSE		1
6	537 18 19-01	BEARING		1
7	537 11 00-01	CHOKE CONTROL		1
8	503 28 31-16	CARBURETTOR		1
9	537 11 01-01	SPACER		1
10	537 22 96-02	MOULDING		1
11	537 30 02-01	INSULATION WALL		1
12	537 22 96-01	MOULDING		1
13	503 20 03-20	SCREW IHSCFM		2
14	503 23 88-02	FLAT PIN		1
15	544 08 20-02	SCREW		2
16	503 56 00-09	HOSE CLAMP		1
17	503 95 83-01	BELLOWS		1
18	537 27 61-01	MUFFLER		1
19	537 14 15-01	AIR INTAKE		1
20	537 30 93-01	SEALING		1
21	537 10 99-02	MUFFLER		1
22	537 29 46-01	FOLIE		1
23	537 16 59-01	GROMMET		1
24	537 25 95-01	FILTER HOLDER		1
25	731 71 14-51	HEXAGON NUT FLANGE		2
26	731 23 14-05	HEXAGON NUT		2
27	537 38 11-01	FILTER		1
28	537 32 07-01	FILTER COVER		1
29	537 21 32-05	KNOB		1
30	503 95 80-01	HUB CAP		1
31	503 95 79-01	RETAINER		1
32	537 42 71-01	AIR FILTER		1
33	503 20 03-20	SCREW IHSCFM		2
34	537 42 11-01	CHISEL GUIDE		1
35	537 14 14-01	HUB CAP		1

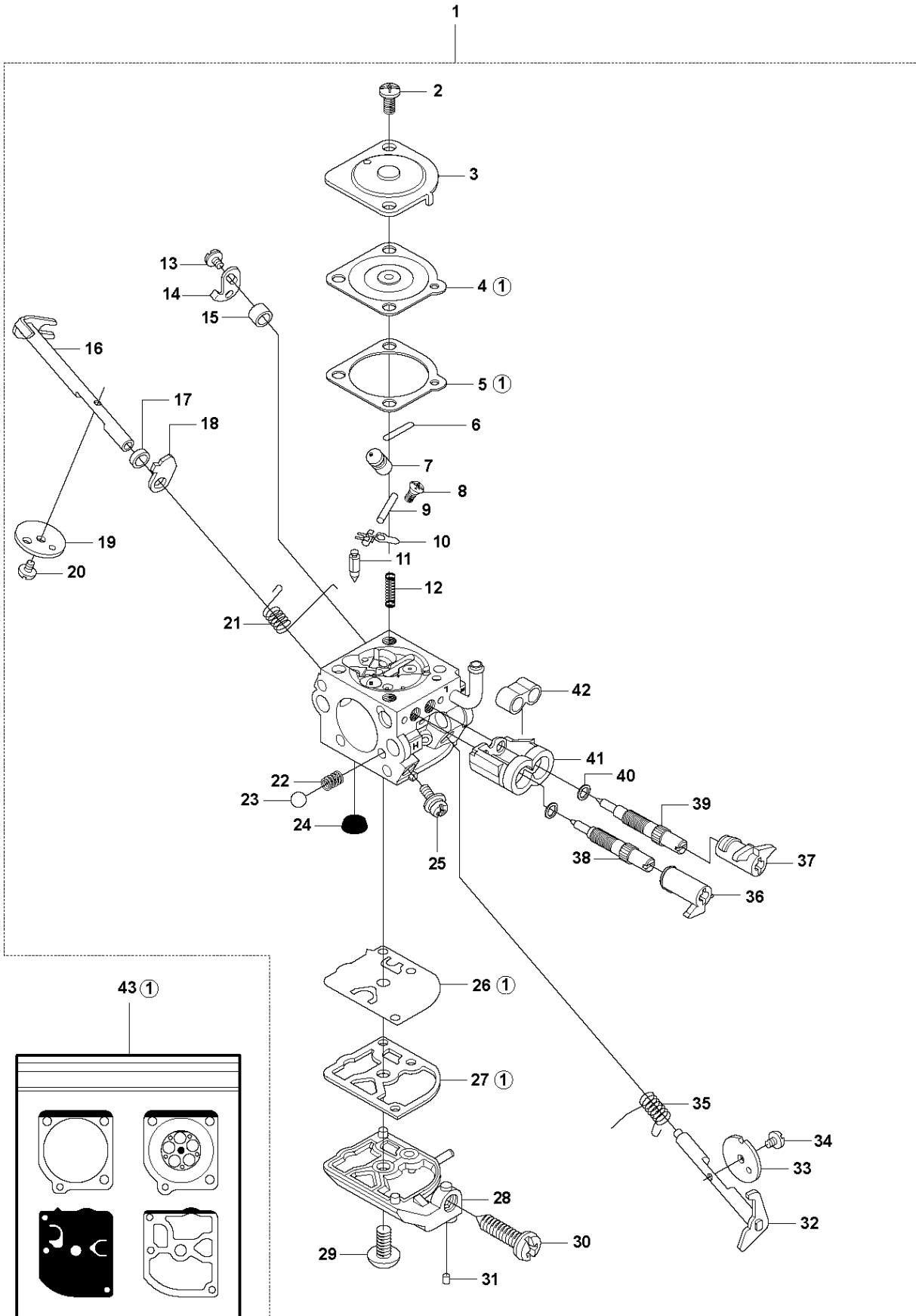


## BEVEL GEAR

FC2145, 2008-05

Ref	Part No	Description	Remark	QTY	KIT
1	504 10 35-03	GEAR ASSY		1	
2	738 21 01-10	BALL BEARING		1	1
3	503 25 08-01	BEARING		1	1
4	503 26 17-01	SEALING		1	1
5	503 75 89-01	COVER WASHER		1	1
6	735 31 33-10	CIRCLIP		1	1
7	544 19 78-01	DRIVER		1	
8	544 21 78-01	SUPPORT FLANGE		1	
9	502 29 11-01	NUT BLADE		1	
10	503 20 03-16	SCREW IHSCFM		4	1
11	503 20 15-01	SCREW IHHM		1	1
12	503 20 02-25	SCREW IHSCFM		2	1
13	738 21 87-12	BALL BEARING		2	1
14	735 31 17-00	CIRCLIP		1	1
15	735 31 31-10	CIRCLIP		1	1

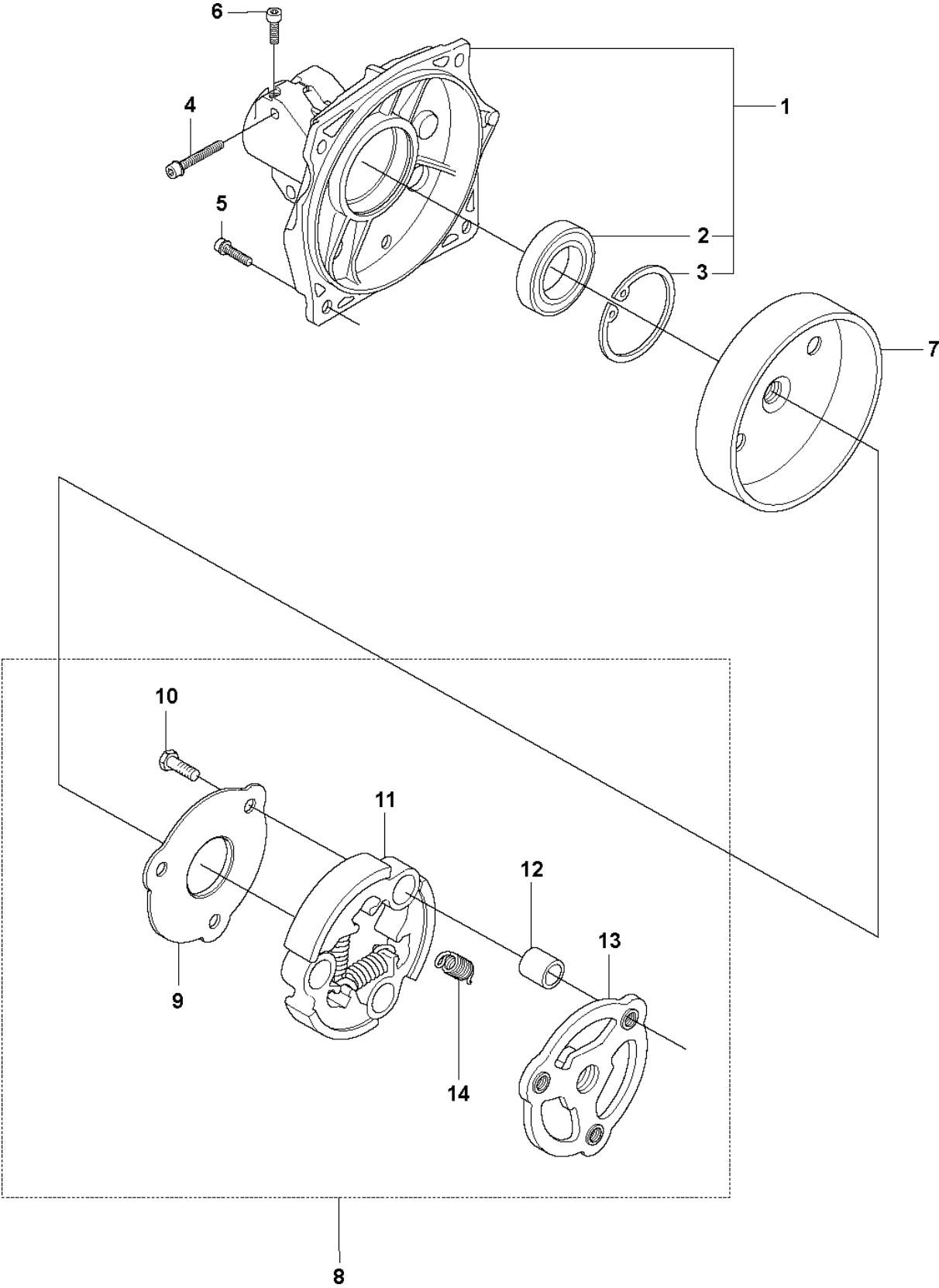
Zama C1Q-EL21



## CARBURETOR

FC2145, 2008-05

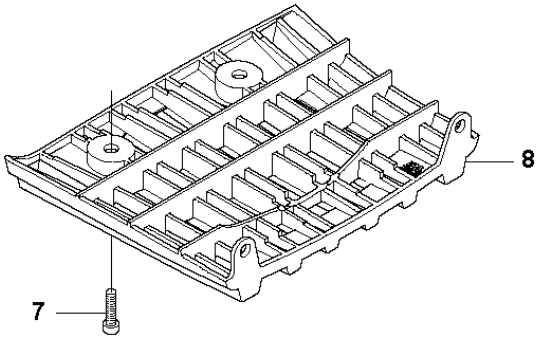
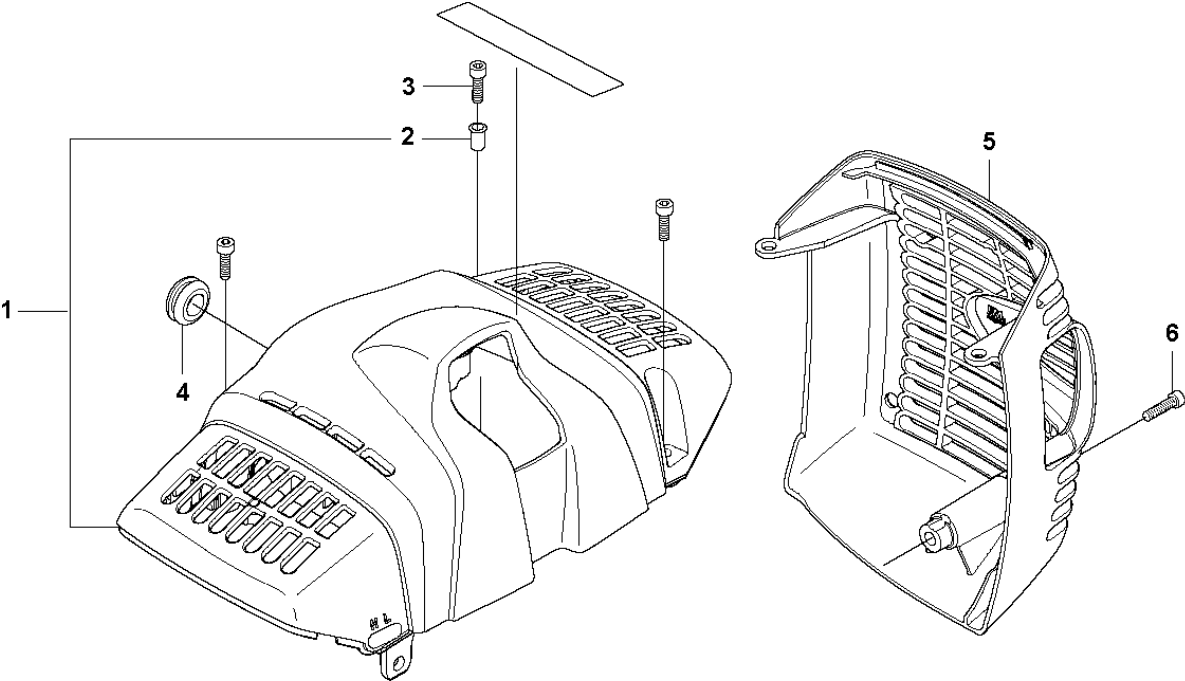
Ref	Part No	Description	Remark	QTY	KIT
1	503 28 31-16	CARBURETTOR		1	
2	503 48 05-01	SCREW		2	1
3	503 97 43-01	COVER		1	1
4	503 48 02-01	DIAPHRAGM		1	1
5	503 48 03-01	GASKET		1	1
6	503 53 56-01	PLUG WELCH		1	1
7	544 11 49-01	NOZZLE ASSY		1	1
8	503 48 01-01	SCREW		1	1
9	503 48 00-01	PIN RETAINING SCREW		1	1
10	503 66 59-01	LEVER		1	1
11	503 47 97-01	VALVE		1	1
12	537 02 03-01	SPRING		1	1
13	503 47 90-01	SCREW		1	1
14	537 01 98-01	LEVER		1	1
15	503 47 89-01	COLLAR		1	1
16	537 02 09-01	SHAFT ASSY		1	1
17	503 48 19-01	COLLAR		1	1
18	537 04 90-01	LEVER		1	1
19	537 02 11-01	VALVE		1	1
20	503 48 18-01	SCREW		1	1
21	537 02 10-01	SPRING		1	1
22	537 01 26-01	SPRING		1	1
23	537 01 25-01	BALL		1	1
24	503 53 57-01	STRAINER		1	1
25	503 75 53-01	SCREW		1	1
26	537 02 00-01	DIAPHRAGM PUMP		1	1
27	537 02 01-01	GASKET		1	1
28	537 02 02-01	COVER		1	1
29	503 47 96-01	SCREW		1	1
30	537 02 07-01	SCREW		1	1
31	503 48 11-01	PIECE		1	1
32	537 27 54-01	SHAFT ASSY		1	1
33	537 38 68-01	VALVE		1	1
34	503 47 92-01	SCREW		1	1
35	537 28 71-01	SPRING		1	1
36	503 90 33-01	LIMITER CAP		1	1
37	503 90 32-01	LIMITER CAP		1	1
38	537 27 56-01	SCREW		1	1
39	537 27 55-01	SCREW		1	1
40	503 97 40-01	WASHER		2	1
41	503 90 34-01	RETAINER		1	1
42	537 27 42-01	BOOT		1	1
43	537 24 36-01	GASKET KIT		1	



## CLUTCH

FC2145, 2008-05

Ref	Part No	Description	Remark	QTY KIT	
1	503 95 41-03	CLUTCH COVER		1	
2	738 22 02-19	BALL BEARING		1	1
3	735 31 33-10	CIRCLIP		1	1
4	503 20 02-30	SCREW IHSCFM		2	
5	503 20 02-20	SCREW IHSCFM		4	
6	503 20 20-01	SCREW IHSCM		1	
7	544 90 07-01	CLUTCH DRUM ASSY		1	
8	503 95 35-01	CLUTCH ASSY		1	
9	537 13 53-01	WASHER		1	8
10	503 20 18-18	SCREW EHHM		3	8
11	503 95 36-01	CLUTCH SHOE		3	8
12	537 13 54-01	BEARING BUSH		3	8
13	503 95 37-01	CLUTCH HUB		1	8
14	505 43 53-01	CLUTCH SPRING		3	8



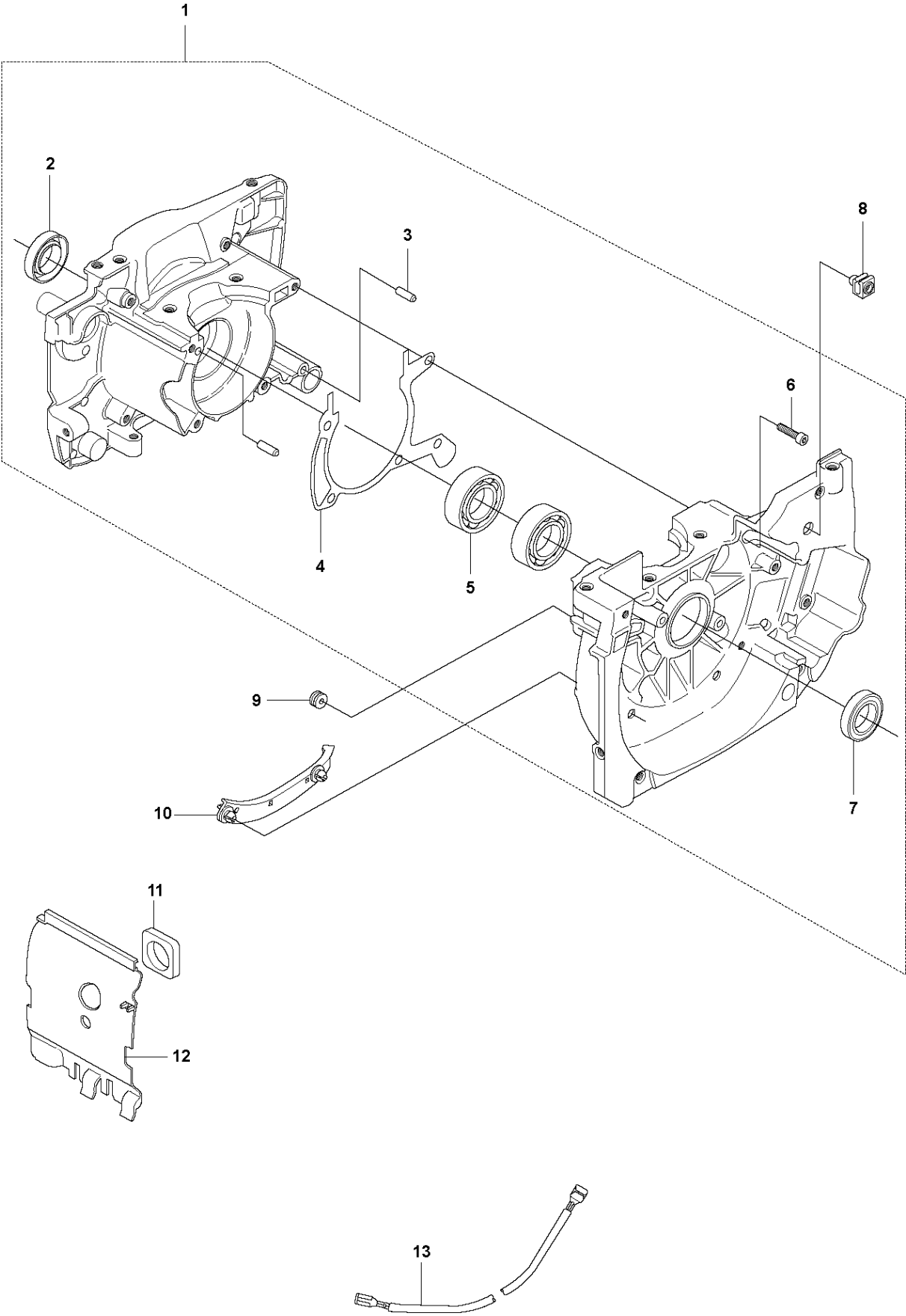
- 9 — **FC 2145**
- 10 — **FC 2145 S**
- 11 — **FC 2145 W**
- 12 — **BC 2145**
- 13 — **CC 2145**



## COVER

FC2145, 2008-05

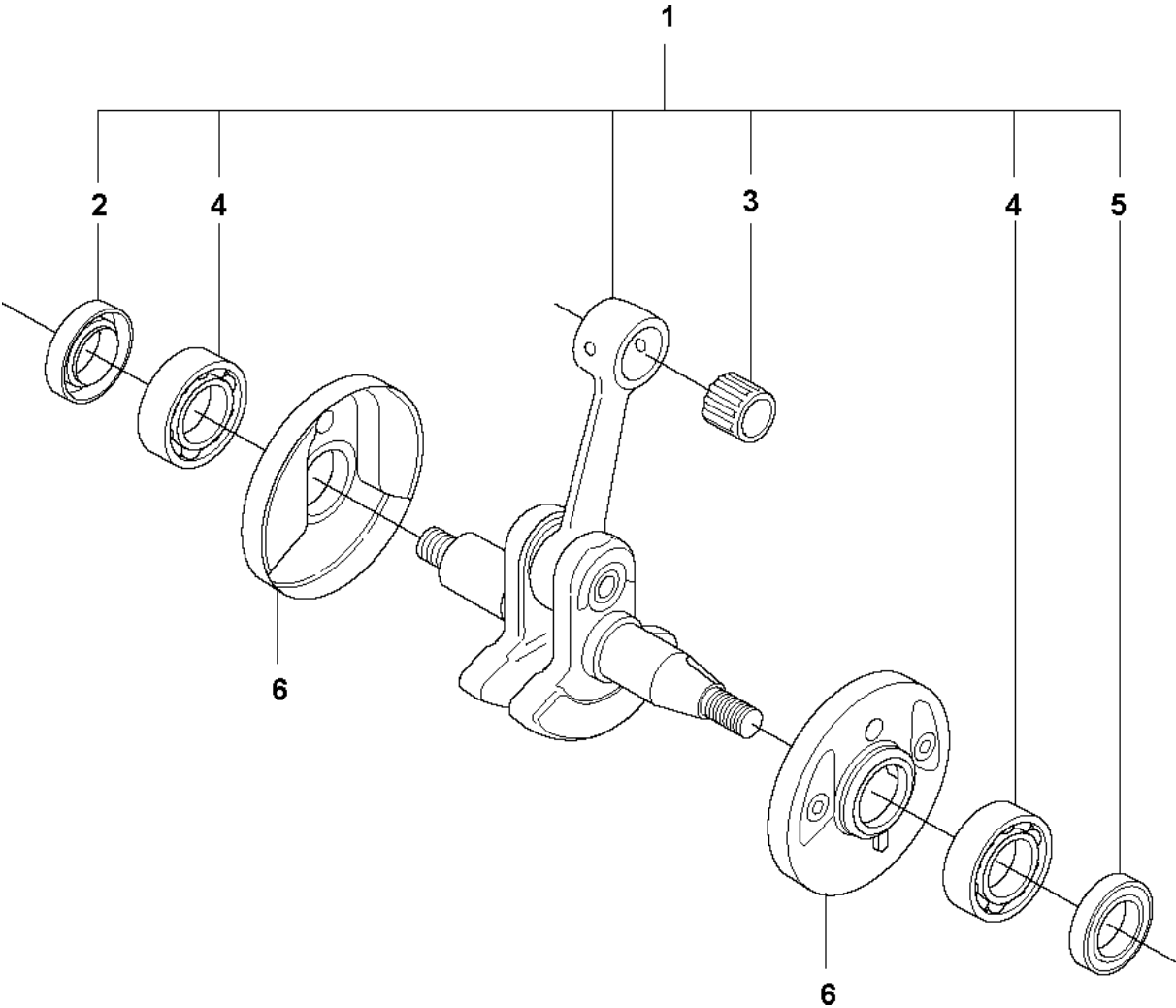
Ref	Part No	Description	Remark	QTY KIT
1	544 45 73-01	CYLINDER COVER ASSY		1
2	537 44 45-03	TUBULAR RIVET		3
3	503 20 03-02	SCREW IHSCFM		3
4	537 37 68-01	PLUG		1
5	537 26 00-01	HEAT PROTECTOR		1
6	503 20 03-02	SCREW IHSCFM		1
7	503 20 03-02	SCREW IHSCFM		2
8	537 26 01-02	PROTECTIVE COVER		1
9	537 37 57-02	LABEL		1
10	537 37 57-01	LABEL		1
11	537 37 57-04	LABEL		1
12	537 37 57-03	LABEL		1
13	537 37 57-05	LABEL		1



## CRANKCASE

FC2145, 2008-05

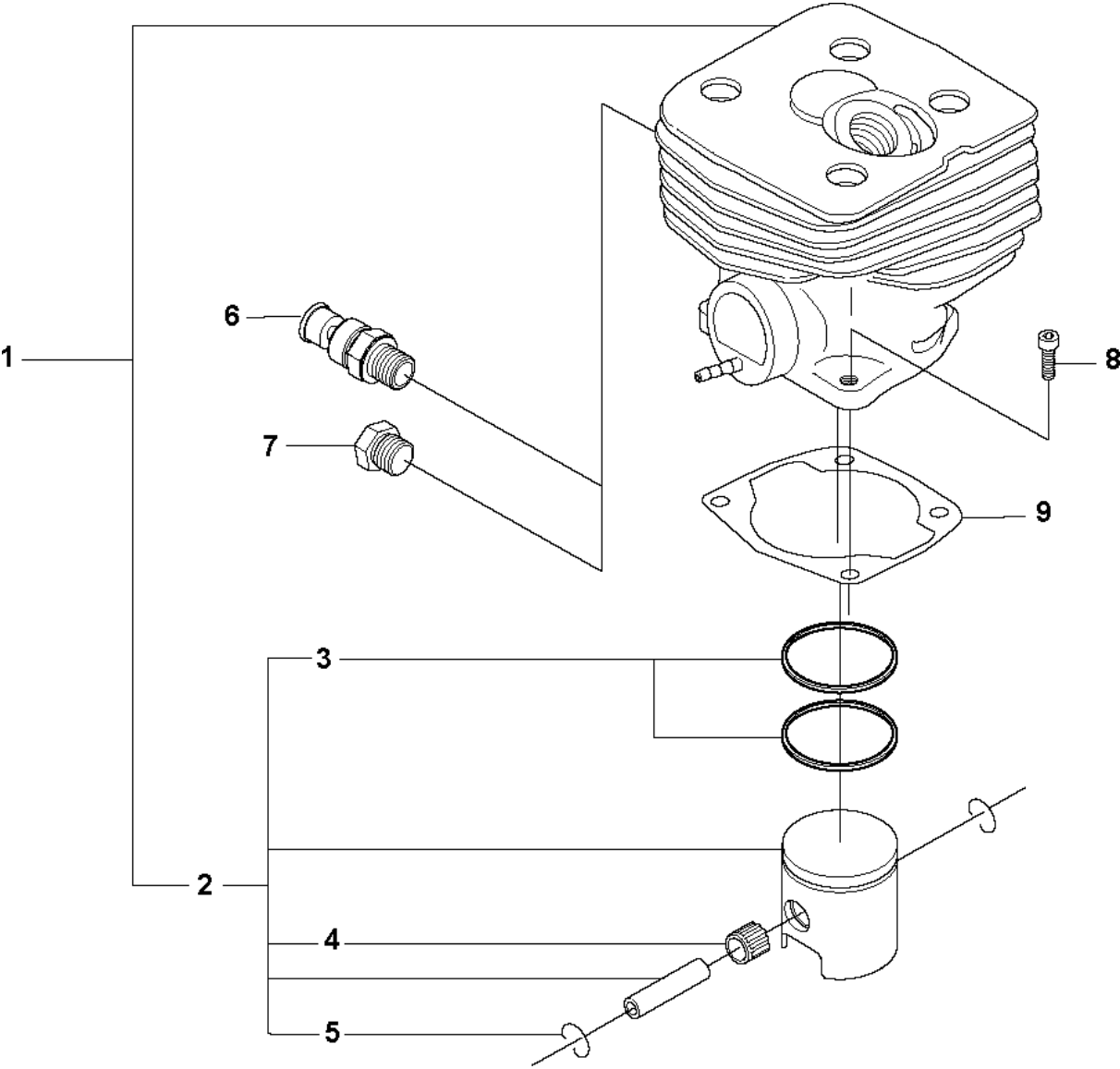
Ref	Part No	Description	Remark	QTY	KIT
1	537 23 04-01	CRANKCASE		1	
2	503 26 02-04	SEALING RING		1	1
3	720 13 07-10	PARALLEL PIN		2	1
4	503 94 80-01	GASKET		1	1
5	738 22 02-25	BALL BEARING		2	1
6	725 53 31-55	SCREW IHSCM		4	1
7	505 27 57-19	SEALING RING		1	1
8	502 08 96-01	CABLE HOLDER		1	
9	503 73 58-01	BUSHING		1	
10	537 28 05-01	CABLE HOLDER		1	
11	537 30 94-01	SEALING		1	
12	537 27 94-01	WALL		1	
12	537 30 99-01	WALL		1	
13	537 39 10-01	SHORT CIRCUIT CABLE		1	



CRANKSHAFT

FC2145, 2008-05

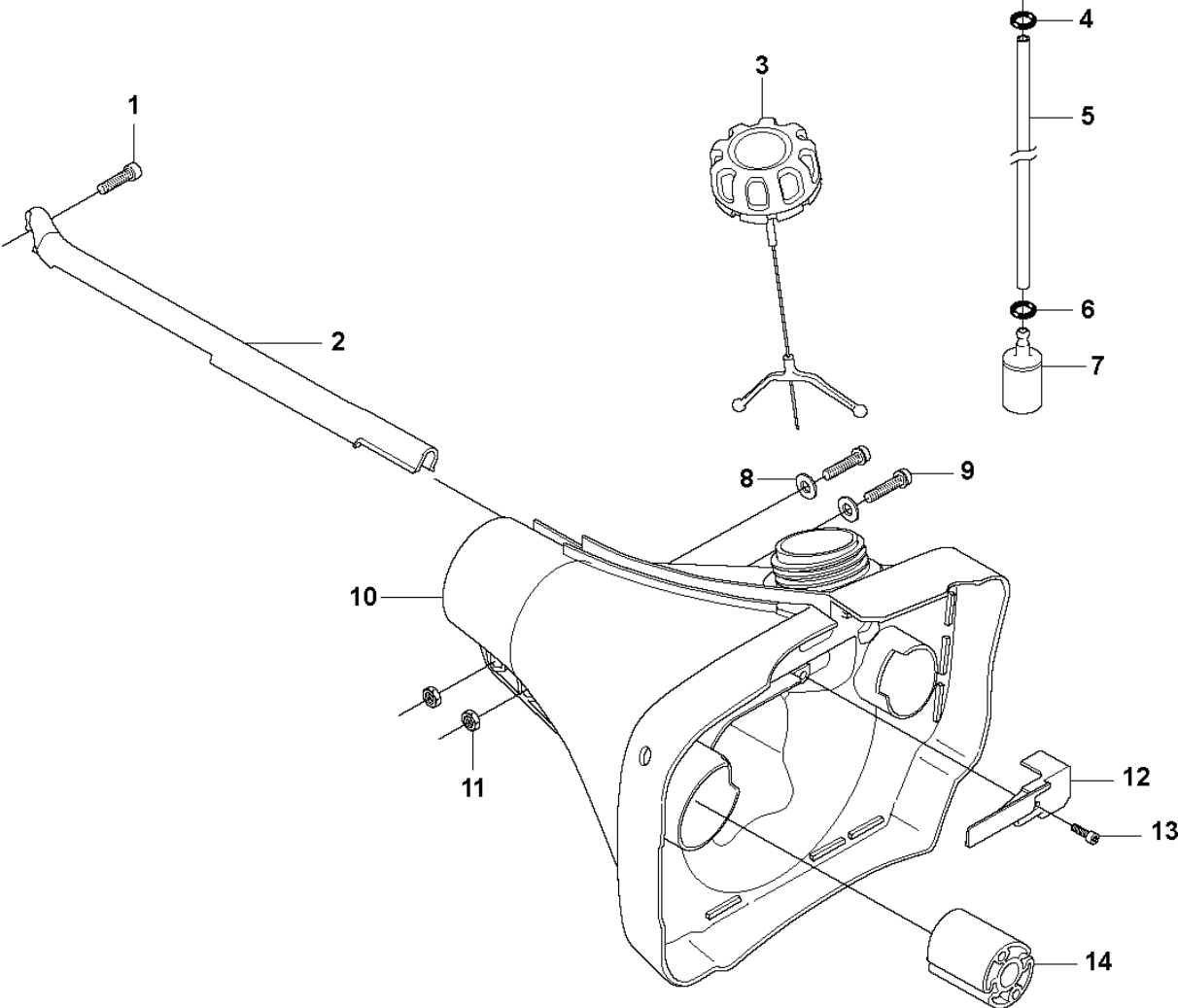
Ref	Part No	Description	Remark	QTY	KIT
1	537 18 97-02	CRANKSHAFT		1	
2	503 26 02-04	SEALING RING		1	1
3	501 45 16-01	NEEDLE BEARING		1	1
4	738 22 02-25	BALL BEARING		2	1
5	505 27 57-19	SEALING RING		1	1
6	537 15 85-01	CUP		2	



## CYLINDER PISTON

FC2145, 2008-05

Ref	Part No	Description	Remark	QTY	KIT
1	503 95 64-02	CYLINDER ASSY		1	
1	505 03 48-04	CYLINDER ASSY		1	
2	537 15 94-02	PISTON ASSY		1	1
2	544 09 30-02	PISTON ASSY		1	1
3	503 28 90-45	PISTON RING		1	1,2
3	506 44 94-01	PISTON RING		1	1,2
4	501 45 16-01	NEEDLE BEARING		1	1,2
5	737 44 10-00	SNAP RING		2	1,2
6	503 66 54-01	DECOMPRESSION VALVE		1	
7	503 55 22-01	PLUG		1	
8	725 53 31-55	SCREW IHSCM		4	
9	503 95 27-01	GASKET		1	



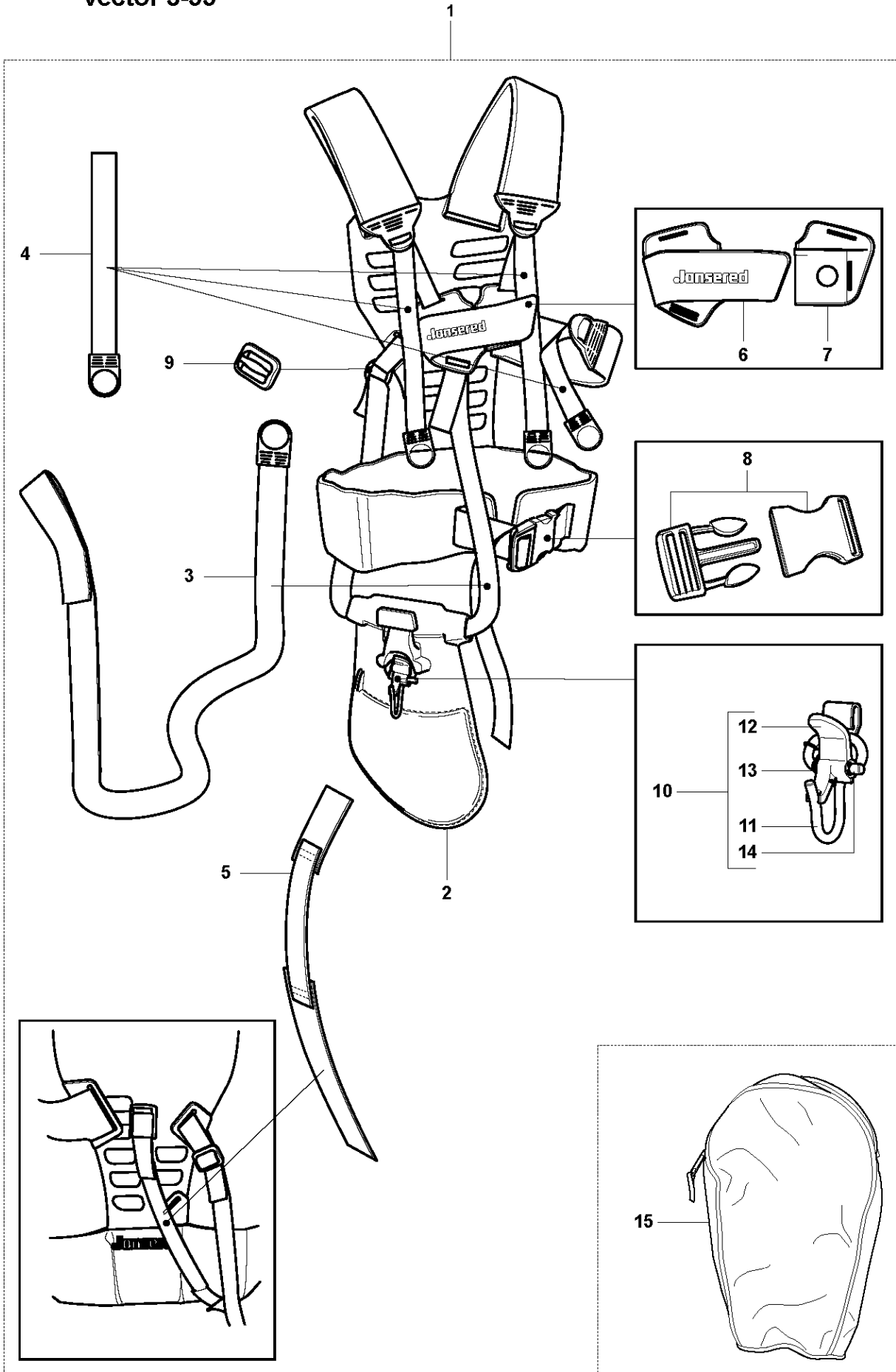


## FUEL TANK

FC2145, 2008-05

Ref	Part No	Description	Remark	QTY KIT
1	503 20 02-16	SCREW IHSCFM		1
2	537 17 25-04	COVER		1
2	537 17 25-03	COVER		1
3	544 07 69-02	TANK CAP		1
4	537 18 49-01	O-RING		1
5	544 32 49-33	FUEL HOSE		1
6	537 18 49-01	O-RING		1
7	503 44 32-01	FILTER		1
8	503 23 00-11	WASHER		2
9	503 20 02-16	SCREW IHSCFM		2
10	503 94 93-02	FUEL TANK		1
11	503 22 10-12	HEXAGON NUT		2
12	537 21 99-01	HOSE GUARD		1
13	503 21 71-16	SCREW IHST		1
14	503 95 61-01	ANTIVIBRATION ELEMENT		2

Vector 3-55

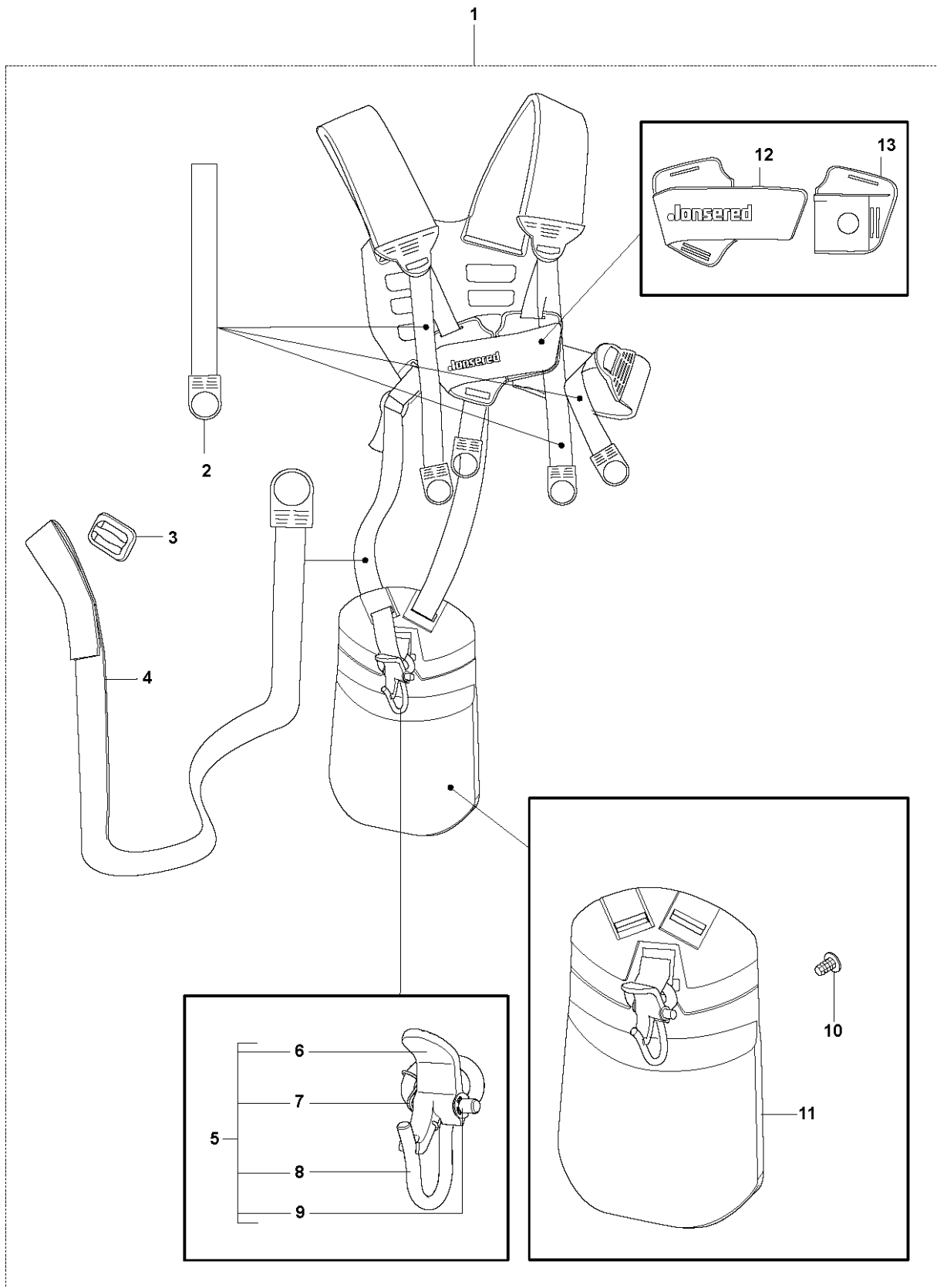


## HARNESS

FC2145, 2008-05

Ref	Part No	Description	Remark	QTY	KIT
1	504 04 53-01	HARNESS		1	
1	505 40 63-01	HARNESS		1	1
2	544 90 17-02	HIP PAD		1	1
3	503 99 61-05	BAND		1	1
4	503 99 61-01	HARNESS		3	1
5	537 15 35-02	STRAP		1	1
6	537 27 70-01	FRONT PIECE		1	1
7	537 27 69-01	FRONT PIECE		1	1
8	537 33 15-01	HARNESS		1	1
9	537 11 35-01	RETAINER		1	1
10	544 96 07-02	HARNESS		1	1
11	502 02 29-02	HARNESS		1	1, 10
12	502 02 30-02	HARNESS		1	1, 10
13	502 02 38-01	HARNESS		1	1, 10
14	735 31 09-20	HARNESS		1	1, 10
15	537 30 66-01	BAG		1	

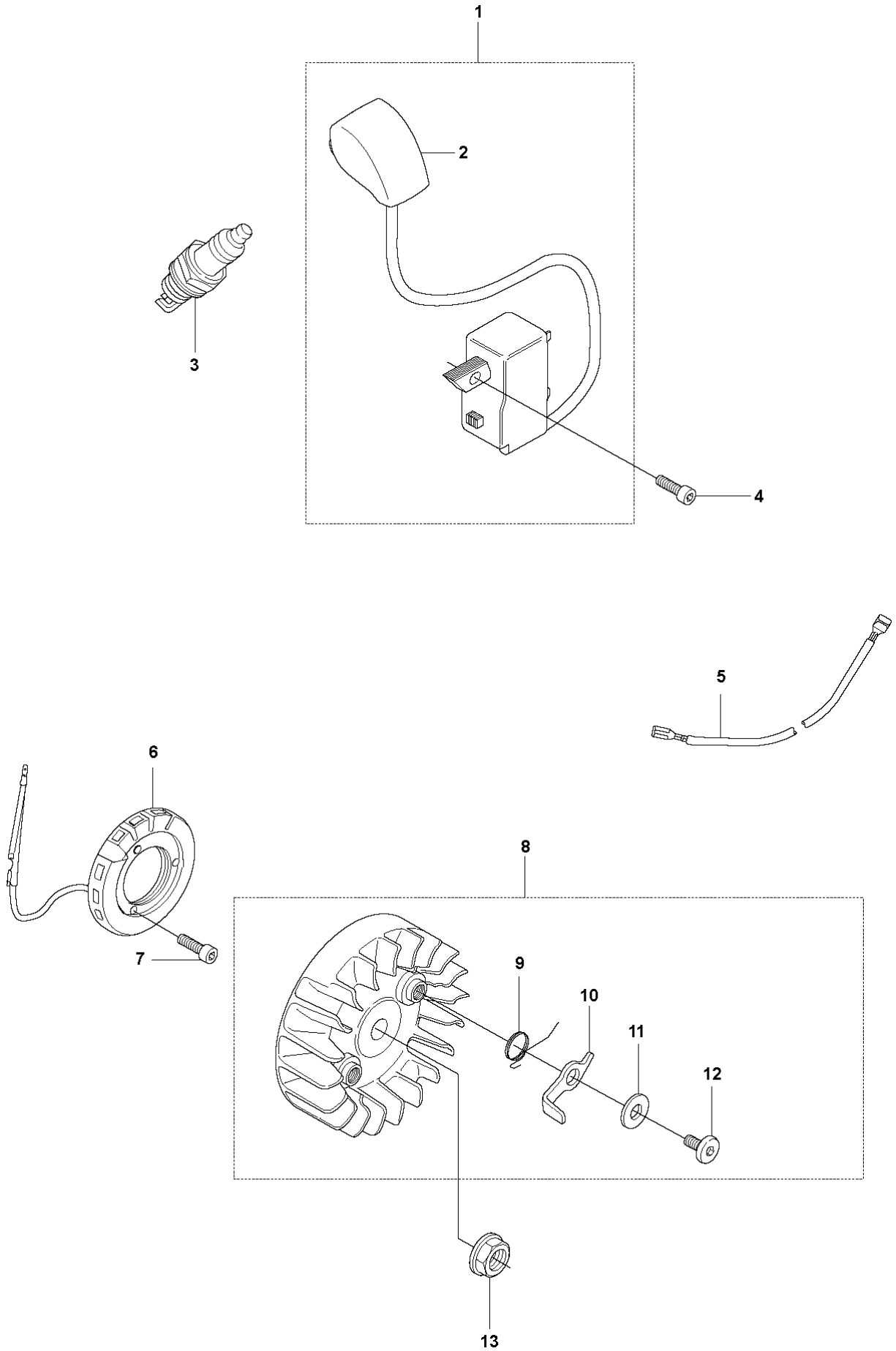
Vector 2-55, 2-35



## HARNESS

FC2145, 2008-05

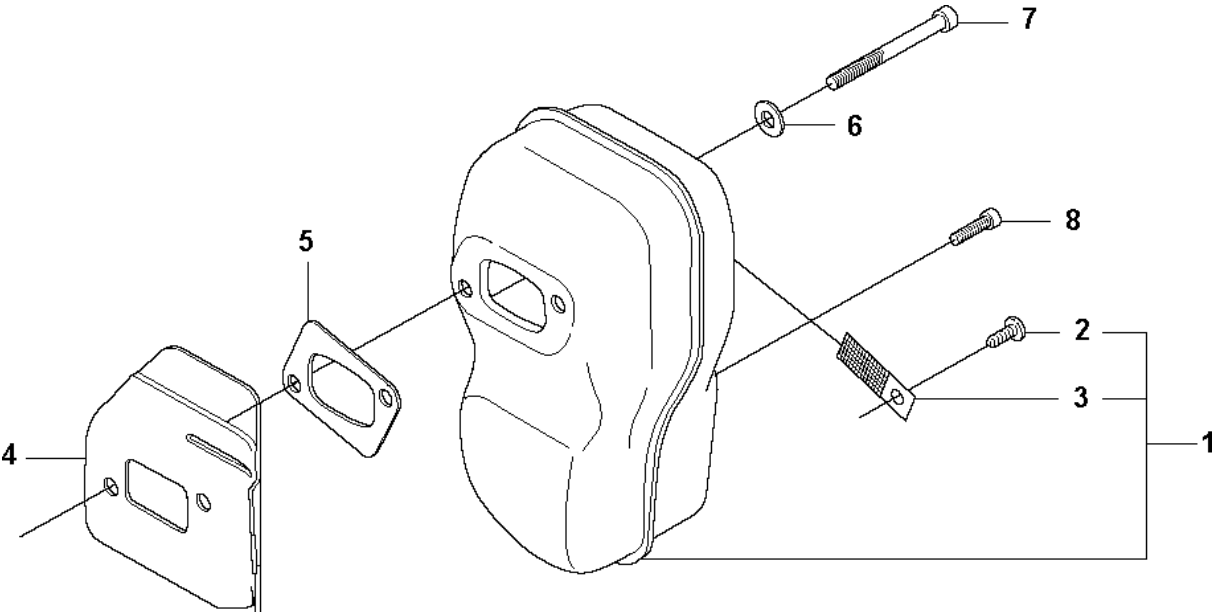
Ref	Part No	Description	Remark	QTY KIT	
1	537 27 58-01	HARNESS		1	
1	537 27 58-03	HARNESS		1	
2	503 99 61-01	HARNESS		3	1
3	537 11 35-01	RETAINER		1	1
4	503 99 61-03	BAND		1	1
5	502 02 28-01	HARNESS		1	1
6	502 02 30-02	HARNESS		1	1,5
7	502 02 38-01	HARNESS		1	1,5
8	502 02 29-02	HARNESS		1	1,5
9	735 31 09-20	HARNESS		1	1,5
10	537 17 54-01	HARNESS		3	1
11	537 27 59-02	HIP PAD		1	1
12	537 27 70-01	FRONT PIECE		1	1
13	537 27 69-01	FRONT PIECE		1	1



## IGNITION SYSTEM

FC2145, 2008-05

Ref	Part No	Description	Remark	QTY	KIT
1	501 00 13-01	IGNITION MODULE		1	
1	501 00 13-02	IGNITION MODULE		1	
2	537 42 80-01	SPARK PLUG CAP		1	1
3	503 23 51-09	SPARK PLUG		1	
4	503 20 25-16	SCREW IHSCM		2	
5	537 39 10-01	SHORT CIRCUIT CABLE		1	
6	537 25 63-01	GENERATOR STATOR		1	
7	503 21 66-18	SCREW IHSCM		2	
8	503 95 33-01	FLYWHEEL		1	
8	503 95 33-02	FLYWHEEL		1	
9	503 81 29-01	SPRING		2	8
10	503 81 24-01	STARTER PAWL		2	8
11	503 23 00-42	WASHER		2	8
12	501 81 99-03	SCREW		2	8
13	503 22 04-01	NUT		1	

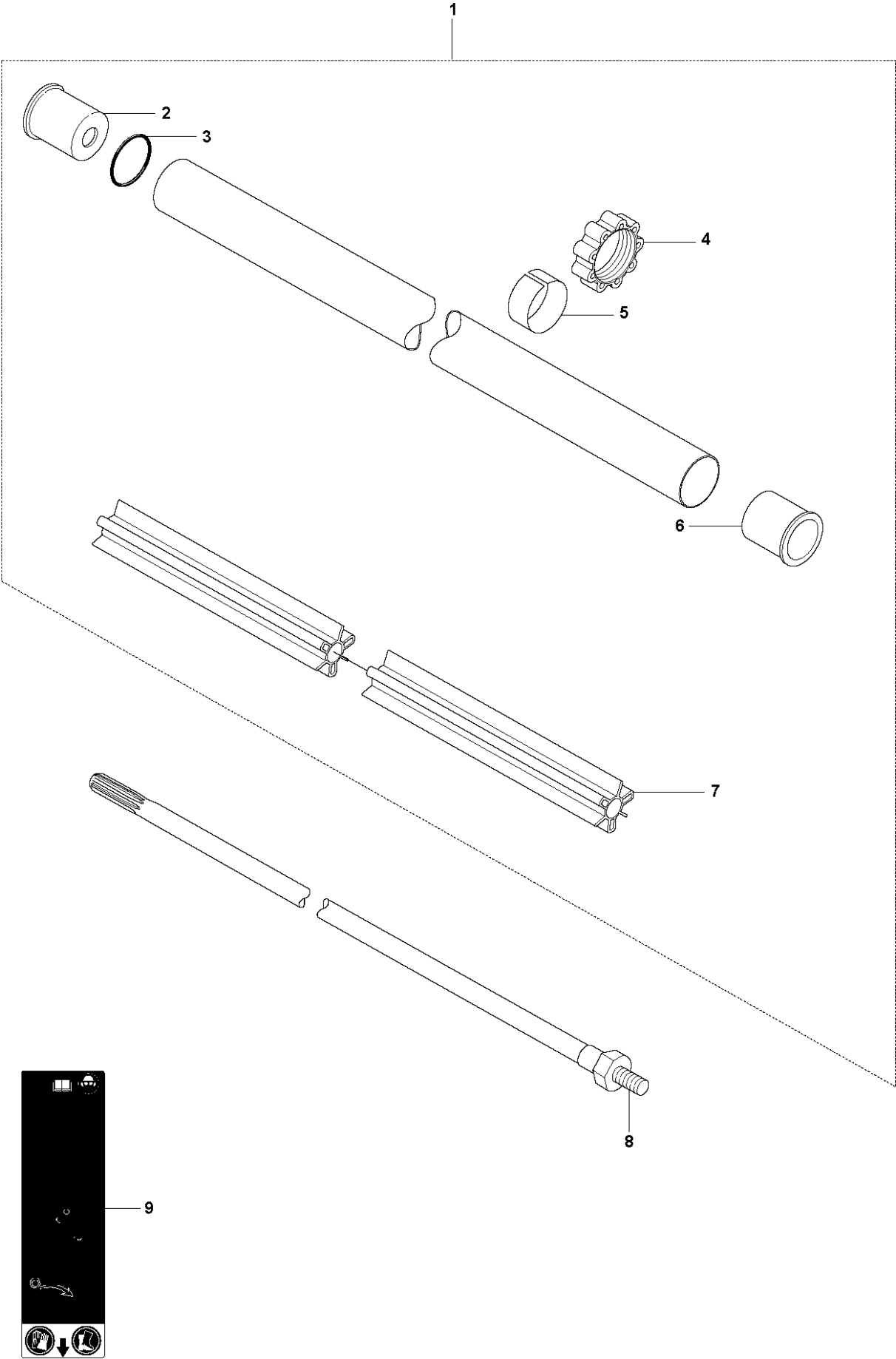




## MUFFLER

FC2145, 2008-05

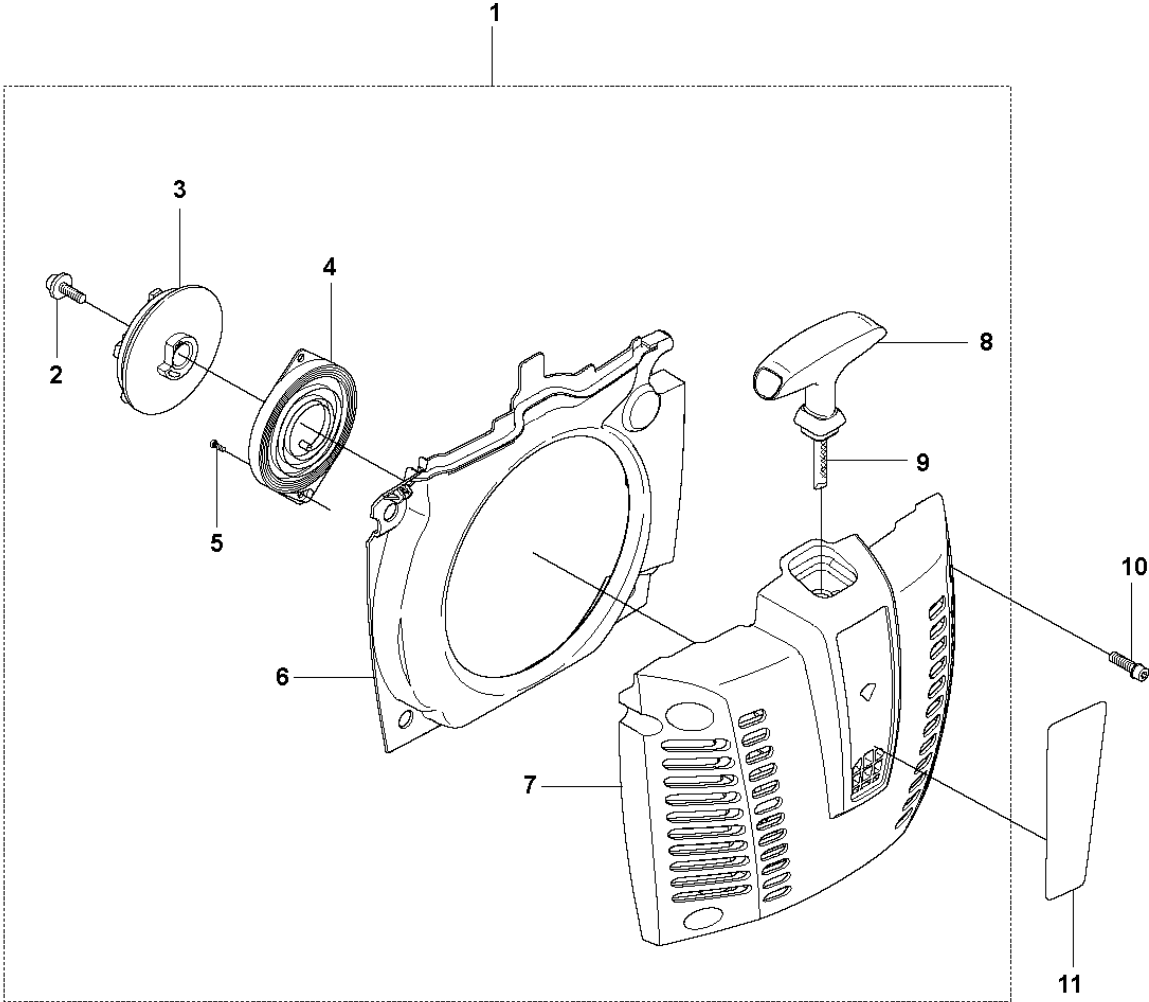
Ref	Part No	Description	Remark	QTY	KIT
1	503 94 90-01	MUFFLER ASSY		1	
1	503 94 90-02	MUFFLER ASSY		1	
2	724 12 87-59	SCREW CRPANM		1	1
3	537 27 09-01	SPARK ARRESTER SCREEN		1	1
4	537 22 85-01	HEAT DEFLECTOR		1	
5	537 19 87-01	GASKET		1	
6	503 23 04-02	WASHER		2	
7	503 20 29-70	SCREW IHSCFM		2	
8	503 20 03-02	SCREW IHSCFM		1	



## SHAFT

FC2145, 2008-05

Ref	Part No	Description	Remark	QTY	KIT
1	537 27 92-03	TUBE		1	
1	537 27 92-08	TUBE		1	
1	537 27 92-10	TUBE		1	
2	544 02 94-01	SPACER		1	1
3	506 11 03-01	O-RING		1	1
4	537 30 98-01	ANTIVIBRATION ELEMENT		1	1
5	537 30 97-01	TAPE		1	1
6	544 02 94-01	SPACER		1	1
7	537 18 31-04	GUIDE		1	1
7	537 18 31-05	GUIDE		1	1
8	503 95 54-01	DRIVE SHAFT		1	
8	503 95 54-02	DRIVE SHAFT		1	
8	503 92 44-01	DRIVE SHAFT		1	
8	503 92 44-02	DRIVE SHAFT		1	
8	503 92 44-03	DRIVE SHAFT		1	
9	537 29 47-07	LABEL		1	
9	537 29 47-03	LABEL		1	

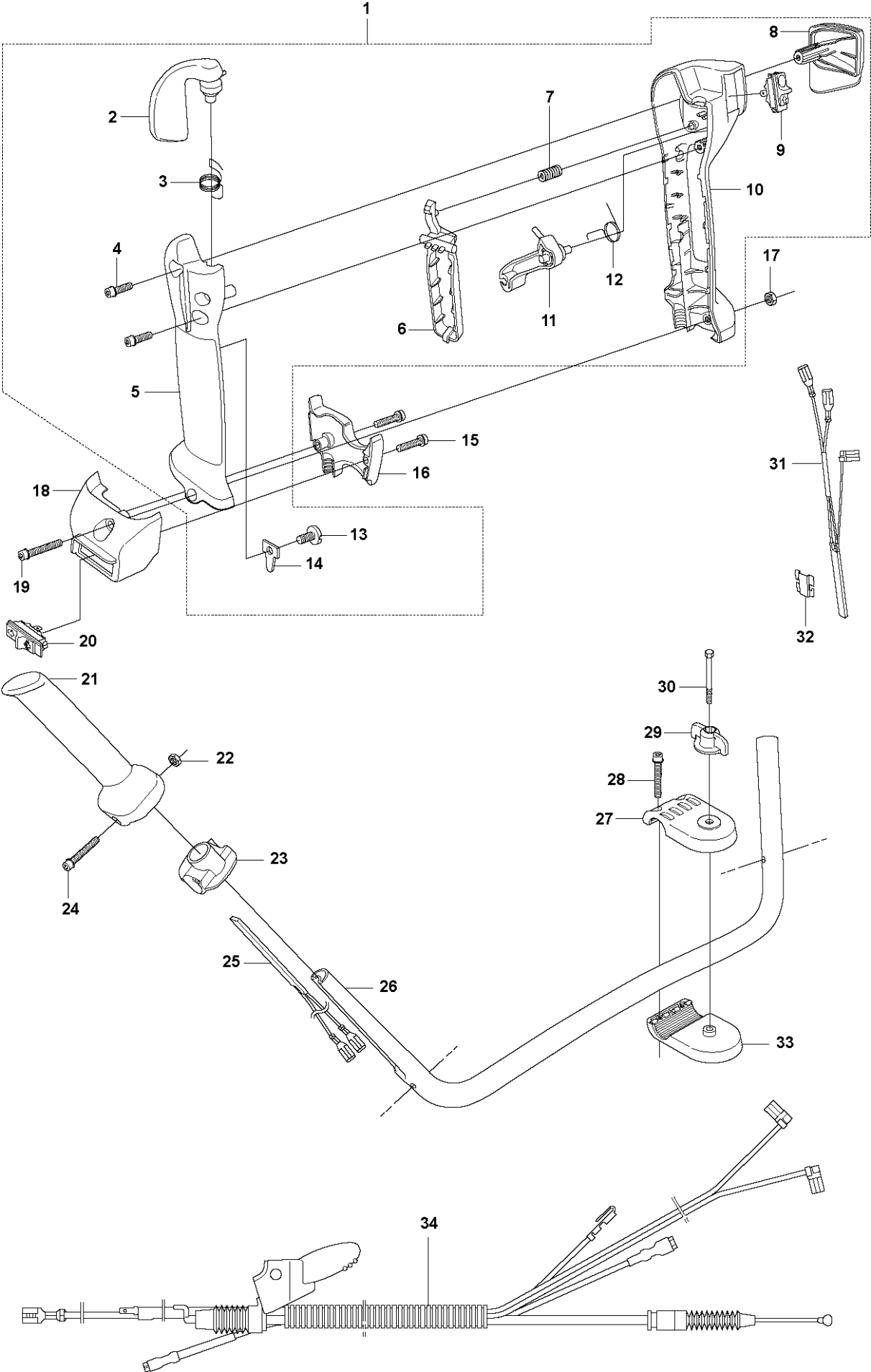


11

## STARTER

FC2145, 2008-05

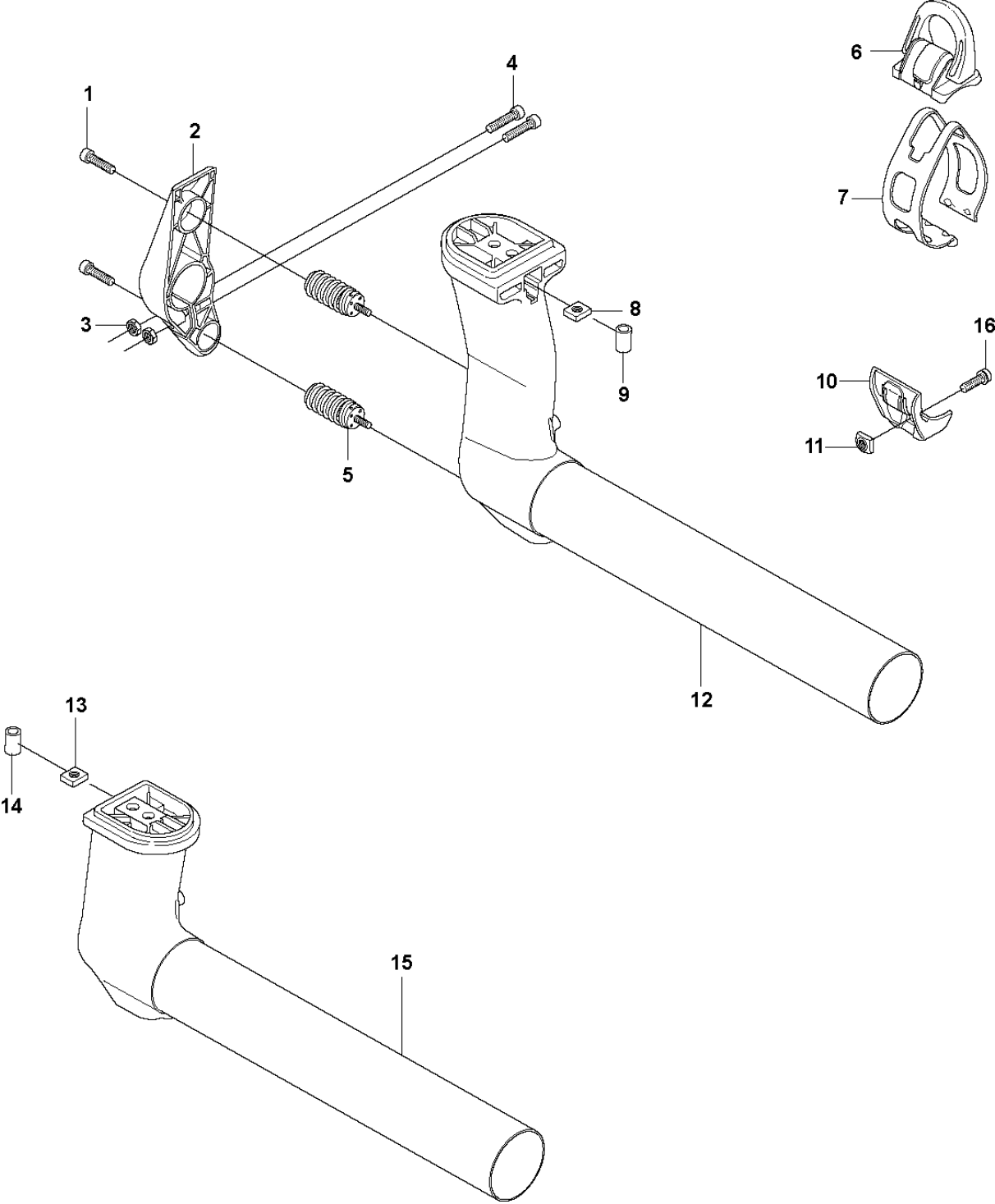
Ref	Part No	Description	Remark	QTY	KIT
1	537 25 93-02	STARTER		1	
2	503 21 69-16	SCREW IHSC T		1	1
3	503 95 73-01	STARTER PULLEY		1	1
4	502 20 06-01	SPRING CASSETTE ASSY		1	1
5	503 21 29-06	SCREW CCRPANT		2	1
6	537 25 90-01	AIR CONDUCTOR		1	1
7	537 25 89-01	STARTER HOUSING		1	1
8	537 19 65-01	STARTER HANDLE		1	1
9	505 30 51-25	STARTER CORD		1	1
10	503 20 03-02	SCREW IHSCFM		4	
11	537 37 58-01	LABEL		1	



## THROTTLE CONTROLS

FC2145, 2008-05

Ref	Part No	Description	Remark	QTY	KIT
1	537 19 72-14	THROTTLE HANDLE		1	
2	537 26 34-02	THROTTLE TRIGGER		1	1
3	537 28 37-01	SPRING THROTTLE TRIG		1	1
4	503 21 75-20	SCREW IHSCFT		2	1
5	537 15 53-05	HANDLE HALF		1	1
6	537 15 56-02	THROTTLE LOCKOUT		1	1
7	537 19 97-01	SPRING		1	1
8	537 18 24-02	COVER		1	1
9	537 41 90-01	SWITCH		1	1
10	537 15 52-05	HANDLE HALF		1	1
11	537 26 35-01	THROTTLE LEVER		1	1
12	537 34 27-01	SPRING		1	1
13	503 21 70-10	SCREW CCRPANT		1	1
14	537 25 11-01	SECURING PLATE		1	1
15	503 21 71-20	SCREW IHSCFT		2	
16	537 20 16-02	RETAINER		1	
17	731 23 14-05	HEXAGON NUT		1	
18	537 20 15-02	RETAINER		1	
19	503 20 02-35	SCREW IHSCFM		1	
19	503 20 02-45	SCREW IHSCFM		1	
20	503 71 82-02	SWITCH		1	
21	537 17 28-08	HANDLE		1	
22	731 23 14-05	HEXAGON NUT		1	
23	537 17 29-04	BRACKET		1	
24	503 20 02-45	SCREW IHSCFM		1	
25	537 22 72-01	ELEMENT		1	
26	503 95 86-01	HANDLEBAR		1	
26	503 95 86-02	HANDLEBAR		1	
27	537 12 90-02	HANDLEBAR BRACKET		1	
28	503 20 02-25	SCREW IHSCFM		2	
29	502 21 93-01	TURNING KNOB		1	
30	725 23 82-85	SCREW EHHM		1	
31	537 22 71-01	ELEMENT		1	
32	537 26 51-01	SECURING PLATE		2	
33	537 12 91-02	HANDLEBAR BRACKET		1	
34	504 53 86-02	WIRING ASSY		1	
34	504 53 86-01	WIRING ASSY		1	





Ref	Part No	Description	Remark	QTY KIT
1	503 20 02-16	SCREW IHSCFM		2
2	503 95 53-05	HOLDER ANTIVIBRATION		1
3	503 22 10-12	HEXAGON NUT		2
4	503 20 02-25	SCREW IHSCFM		2
5	537 29 97-01	ANTIVIBRATION ELEMENT		2
6	537 20 18-02	LOOP		1
7	537 19 79-01	BAND		1
8	502 19 71-01	SQUARE NUT		1
9	503 85 73-02	COVER		1
10	537 27 11-02	GUIDE RAIL		1
11	503 22 65-01	SQUARE NUT		1
12	537 19 89-06	SUSPENSION		1
13	502 19 71-01	SQUARE NUT		1
14	503 85 73-02	COVER		1
15	503 95 59-07	SUSPENSION		1
16	503 20 02-20	SCREW IHSCFM		1