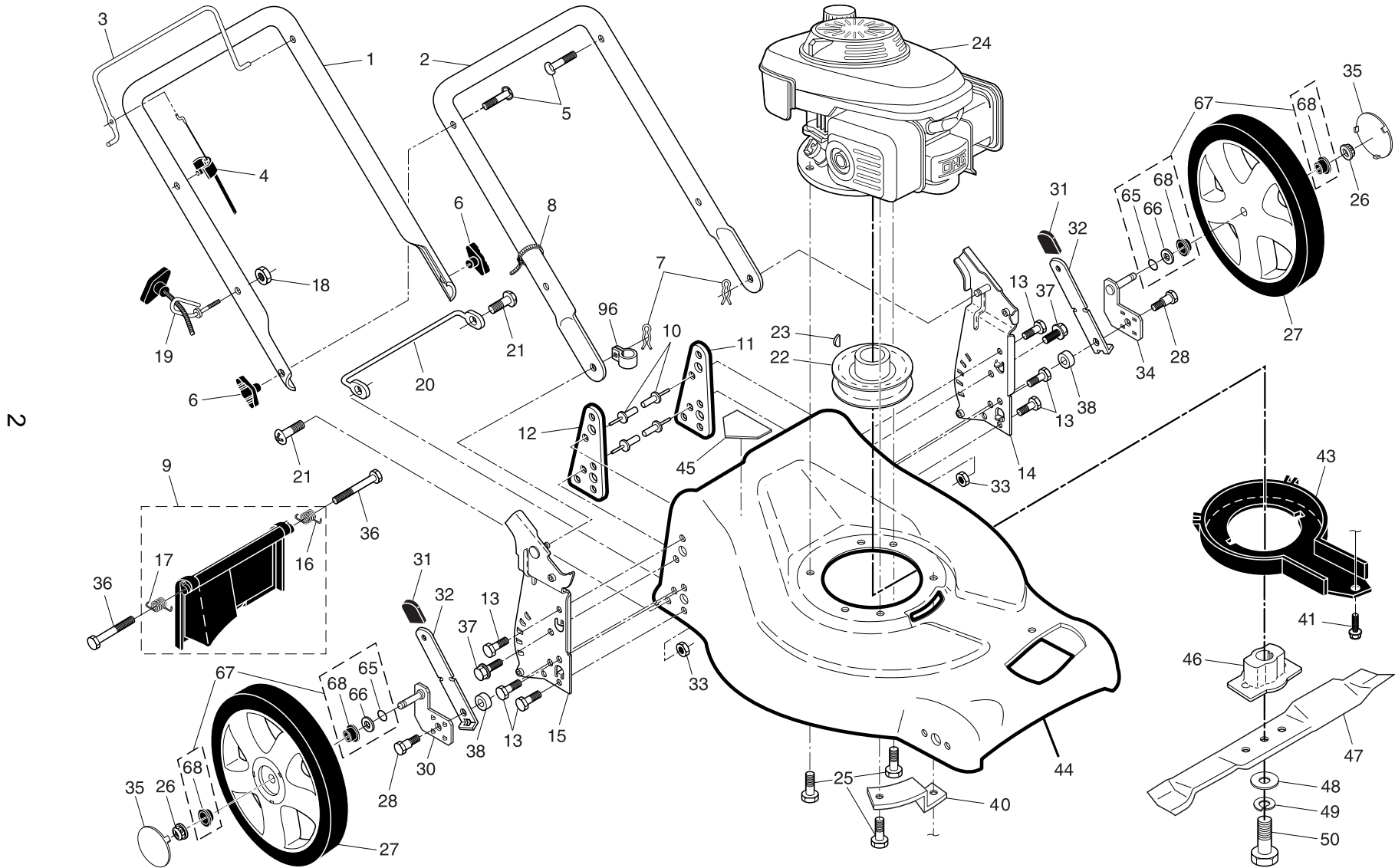


REPAIR PARTS MANUAL
MODEL NO. BH55Y21RH
MFG. ID. NO. 96141000101
Rotary Lawn Mower

 **McCULLOCH**®

ROTARY LAWN MOWER - - MODEL NO. BH55Y21RH (96141000101) - PRODUCT NO. 961 41 00-01



ROTARY LAWN MOWER - - MODEL NO. BH55Y21RH (96141000101) - PRODUCT NO. 961 41 00-01

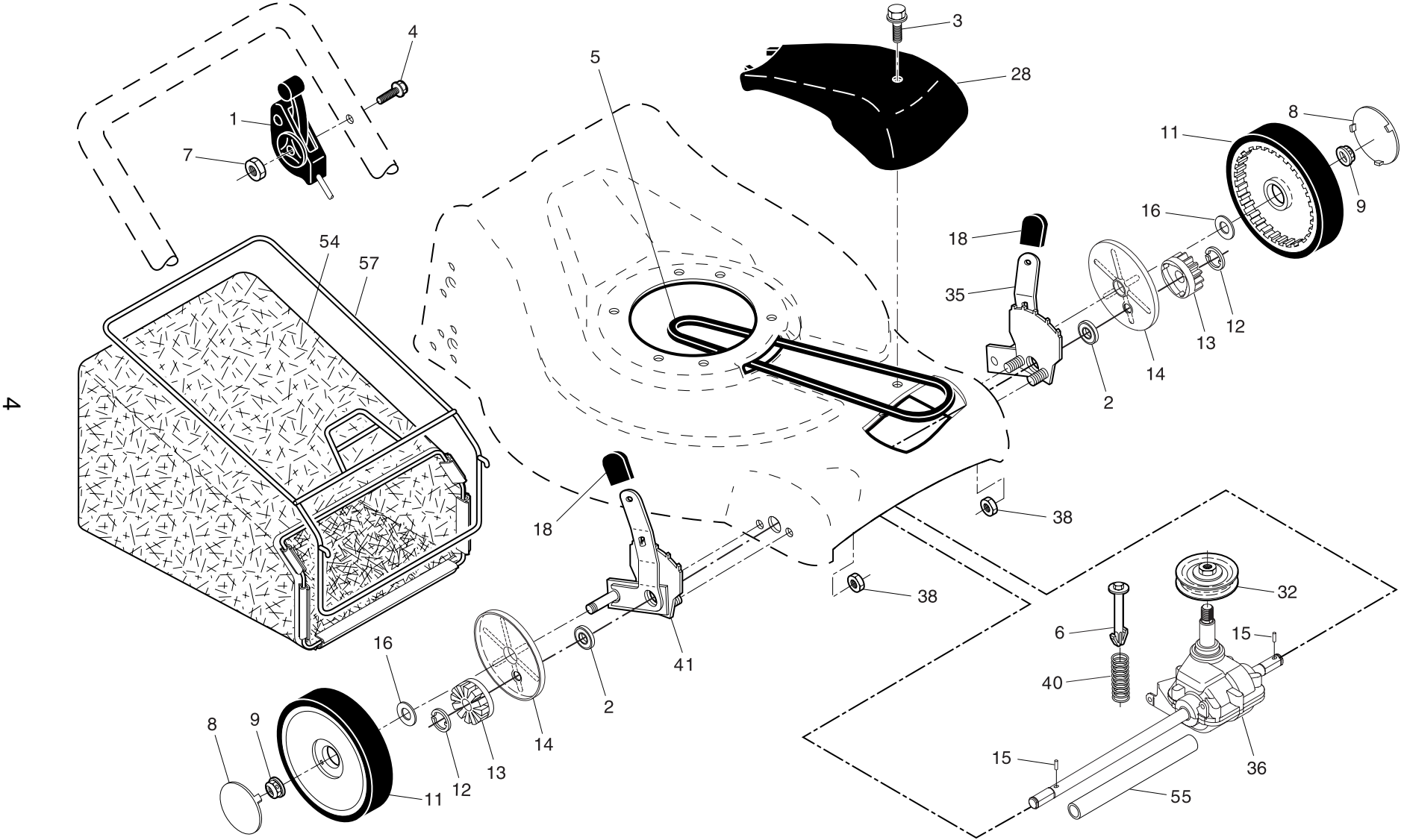
3

| KEY NO. | PART NO. | DESCRIPTION | KEY NO. | PART NO. | DESCRIPTION |
|---------|--------------|--|---------|---------------------|---|
| 1 | 532 19 25-17 | Upper Handle | 30 | 532 18 25-41 | Axle Arm Assembly, Rear, RH |
| 2 | 532 15 36-05 | Lower Handle | 31 | 532 19 00-69 | Selector Knob |
| 3 | 532 14 67-71 | Control Bar | 32 | 532 18 25-37 | Selector Spring |
| 4 | 532 18 35-67 | Cable, Engine Zone Control | 33 | 873 80 05-00 | Locknut, Hex |
| 5 | 532 19 15-74 | Handle Bolt | 34 | 532 18 25-42 | Axle Arm Assembly, Rear, LH |
| 6 | 532 19 19-38 | Handle Knob | 35 | 532 19 18-53 | Hubcap |
| 7 | 532 05 17-93 | Hairpin Cotter | 36 | 532 18 41-93 | Bolt |
| 8 | 532 06 64-26 | Wire Tie | 37 | 532 15 00-78 | Thread Cutting Screw w/Sems 5/16-18 x 3/4 |
| 9 | 532 18 04-79 | Rear Door Kit (Includes Key Numbers 16 and 17) | 38 | 532 18 39-01 | Spacer |
| 10 | 532 12 84-15 | Pop Rivet | 40 | 532 19 09-39 | Mounting Bracket, Debris Shield |
| 11 | 532 18 25-38 | Support Bracket, LH | 41 | 532 19 23-25 | Screw, Hex Washer Head |
| 12 | 532 18 25-39 | Support Bracket, RH | 43 | 532 18 87-84 | Debris Shield |
| 13 | 817 06 04-10 | Screw 1/4-20 x 5/8 | 44 | 532 18 75-07 | Kit, Lawn Mower Housing (Includes Key Numbers 10, 11, 12 and 45) |
| 14 | 532 18 25-43 | Handle Bracket Assembly, LH | 45 | 532 18 21-66 | Danger Decal |
| 15 | 532 18 25-45 | Handle Bracket Assembly, RH | 46 | 532 18 46-32 | Blade Adapter |
| 16 | 532 18 00-71 | Spring, Rear Door, LH | 47 | 532 16 58-33 | Blade, 21" |
| 17 | 532 18 00-72 | Spring, Rear Door, RH | 48 | 532 85 10-74 | Hardened Washer |
| 18 | 532 13 20-04 | Locknut, Hex, Keps 1/4-20 | 49 | 532 85 02-63 | Helical Washer 3/8-24 x 1-3/8 Grade 8 |
| 19 | 532 17 95-85 | Rope Guide | 50 | 532 85 10-84 | Hex Head Machine Screw 3/8-24 x 1-3/8 Grade 8 |
| 20 | 532 17 92-05 | Foot Guard, C.E. | 65 | 532 18 81-52 | O-Ring |
| 21 | 532 05 45-83 | Screw, Tapping 1/4-20 x 1/2 | 66 | 532 08 83-48 | Washer, Flat 3/8 |
| 22 | 532 18 49-41 | Engine Pulley | 67 | 532 19 34-98 | Kit, Bushing, High Wheel |
| 23 | 532 18 77-23 | Hi-Pro Key | 68 | 532 19 36-96 | Bushing, Nylon, Black |
| 24 | - - - | Engine, Honda, Model Number GCV160 (order parts from engine manufacturer) | 96 | 532 19 27-70 | Clip, Cable |
| 25 | 532 15 04-06 | Screw, Hex Head, Threaded, Rolled 3/8-16 x 1-1/8 | -- | 532 18 21-34 | Decal, Self-Propelled, Internal (not shown) |
| 26 | 532 08 39-23 | Nut, Hex, Flanged | -- | 532 19 63-27 | Operator's Manual, European |
| 27 | 532 18 05-52 | Wheel & Tire Assembly, Rear 14 x 2 | -- | 532 19 63-28 | Operator's Manual, Scandinavian |
| 28 | 532 16 08-28 | Shoulder Bolt 5/16-18 x .33 | -- | 532 19 63-29 | Operator's Manual, East Bloc |
| | | | -- | 532 19 66-96 | Repair Parts Manual, English |

NOTE: All component dimensions given in U.S. inches. 1 inch = 25.4 mm.

IMPORTANT: Use only Original Equipment Manufacturer (O.E.M.) replacement parts. Failure to do so could be hazardous, damage your lawn mower and void your warranty.

ROTARY LAWN MOWER -- MODEL NO. BH55Y21RH (96141000101) - PRODUCT NO. 961 41 00-01



4

ROTARY LAWN MOWER - - MODEL NO. BH55Y21RH (96141000101) - PRODUCT NO. 961 41 00-01

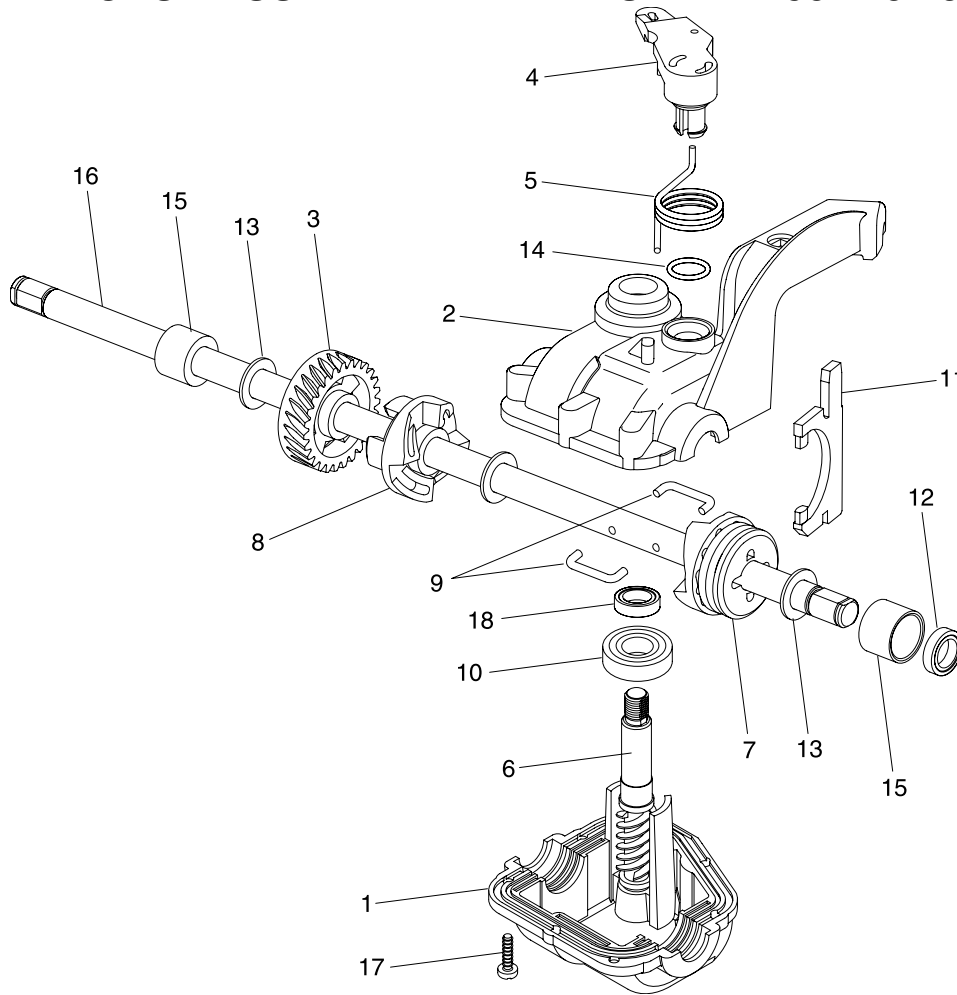
5

| KEY NO. | PART NO. | DESCRIPTION | KEY NO. | PART NO. | DESCRIPTION |
|---------|---------------------|---------------------------------------|---------|---------------------|--|
| 1 | 532 18 45-88 | Cable Assembly, Drive Control | 16 | 532 06 77-25 | Washer 1/2 x 1-1/2 x .134 |
| 2 | 532 19 10-39 | Bearing, Wheel Adjuster | 18 | 532 70 10-37 | Selector Knob |
| 3 | 532 17 52-62 | Pan Head Tapping Screw #10-24 x 2-3/4 | 28 | 532 18 14-67 | Drive Cover |
| 4 | 532 15 87-55 | Hex Washer Head Screw 1/4-20 x 2.12 | 32 | 532 19 41-26 | Drive Pulley |
| 5 | 532 17 54-36 | V-Belt | 35 | 532 19 51-10 | Kit, Wheel Adjuster, LH (Includes Knob and Bearing) |
| 6 | 532 15 04-95 | Spring Retainer | 36 | 532 19 49-35 | Gear Case Assembly (See Breakdown) |
| 7 | 532 19 17-30 | Nut, Hex, Flanged 1/4-20 | 38 | 873 80 04-00 | Locknut, Hex 1/4-20 |
| 8 | 532 18 06-26 | Hubcap | 40 | 532 13 70-90 | Spring |
| 9 | 532 14 52-12 | Locknut, Hex | 41 | 532 19 51-07 | Kit, Wheel Adjuster, RH (Includes Knob and Bearing) |
| 11 | 532 18 07-75 | Wheel & Tire Assembly, Front 8 x 2 | 54 | 532 19 48-53 | Grassbag Assembly |
| 12 | 812 00 00-58 | E-Ring | 55 | 532 17 57-39 | Driveshaft Cover |
| 13 | 532 75 00-03 | Pinion | 57 | 532 18 88-15 | Frame, Grassbag |
| 14 | 532 18 94-03 | Dust Cover | | | |
| 15 | 532 19 10-17 | Pawl, Drive | | | |

NOTE: All component dimensions given in U.S. inches. 1 inch = 25.4 mm.

IMPORTANT: Use only Original Equipment Manufacturer (O.E.M.) replacement parts. Failure to do so could be hazardous, damage your lawn mower and void your warranty.

**ROTARY LAWN MOWER - - MODEL NUMBER BH55Y21RH
 (96141000101) - PRODUCT NUMBER 961 41 00-01
 GEARCASE ASSEMBLY - PART NUMBER 532 19 49-35**



| KEY NO. | PART NO. | DESCRIPTION |
|---------|---------------------|---------------------------|
| 1 | 532 18 34-97 | Case, Lower |
| 2 | 532 18 34-98 | Case, Upper |
| 3 | 532 18 34-99 | Gear, 27 Teeth |
| 4 | 532 18 35-00 | Lever, Clutch |
| 5 | 532 18 35-01 | Spring, Return |
| 6 | 532 18 35-02 | Shaft, Input |
| 7 | 532 18 35-03 | Dog, Movable |
| 8 | 532 18 35-04 | Dog, Fixed |
| 9 | 532 18 35-05 | Wire, Formed |
| 10 | 532 18 35-06 | Bearing, Ball |
| 11 | 532 18 35-07 | Fork, Shift |
| 12 | 532 18 35-08 | Seal, Output Shaft |
| 13 | 532 18 35-09 | Washer |
| 14 | 532 18 35-10 | Seal, Case |
| 15 | 532 18 35-11 | Bushing |
| 16 | 532 19 66-13 | Shaft, Output |
| 17 | 532 18 35-13 | Screw |
| 18 | 532 18 35-14 | Seal, Input Shaft |
| -- | 532 18 34-04 | Kit, Gearcase Replacement |

NOTE: Use Dow Corning #709 to reseal Gear Case Halves.

NOTE: All component dimensions given in U.S. inches. 1 inch = 25.4 mm.
IMPORTANT: Use only Original Equipment Manufacturer (O.E.M.) replacement parts.
 Failure to do so could be hazardous, damage your lawn mower and void your warranty.

LIMITED WARRANTY

The Manufacturer warrants to the original consumer purchaser that this product as manufactured is free from defects in materials and workmanship. For a period of two (2) years from date of purchase by the original consumer purchaser, we will repair or replace, at our option, without charge for parts or labor incurred in replacing parts, any part which we find to be defective due to materials or workmanship. This Warranty is subject to the following limitations and exclusions.

1. This warranty does not apply to the engine. Please contact your nearest dealer where they will send the machine to the engine manufacturer.
2. Transportation charges for the movement of any power equipment unit or attachment are the responsibility of the purchaser. Transportation charges for any parts submitted for replacement under this warranty must be paid by the purchaser unless such return is requested by your dealer.
3. Battery Warranty: On products equipped with a Battery, we will replace, without charge to you, any battery which we find to be defective in manufacture, during the first ninety (90) days of ownership. After ninety (90) days, we will exchange the Battery, charging you 1/12 of the price of a new Battery for each full month from the date of the original sale. Battery must be maintained in accordance with the instructions furnished.
4. The Warranty period for any products used for rental or commercial purposes is limited to 90 days from the date of original purchase.
5. This Warranty applies only to products which have been properly assembled, adjusted, operated, and maintained in accordance with the instructions furnished. This Warranty does not apply to any product which has been subjected to alteration, misuse, abuse, improper assembly or installation, delivery damage, or to normal wear of the product.
6. Exclusions: Excluded from this Warranty are belts, blades, blade adapters, normal wear, normal adjustments, standard hardware and normal maintenance.
7. In case of any problem within the boundaries of this warranty, contact the nearest department store, indicate the model number, serial number and the date of purchase of your machine. This warranty does not apply to accidental damages. All implicit warranties are limited to the same time frames. Or contact:

E.M. Services
54 Rue Lambrechts
92400 Courbevoie
France
Telephone: (1) 46678078
Fax: (1) 46678095

THIS WARRANTY DOES NOT APPLY TO INCIDENTAL OR CONSEQUENTIAL DAMAGES. ANY IMPLIED WARRANTIES ARE LIMITED TO THE SAME TIME PERIODS STATED HEREIN.

 **McCULLOCH**®
www.electrolux.com/mcculloch