

F 5000 S Art. 7932  
F 8000 S Art. 7939

**D Betriebsanleitung**  
UVC-Teichfilter-Set

**GB Operating Instructions**  
UVC Pond Filter Set

**F Mode d'emploi**  
Kit filtre de bassin UVC

**NL Instructies voor gebruik**  
UVC-vijverfilterset

**S Bruksanvisning**  
UVC-damfiltersats

**I Istruzioni per l'uso**  
Set filtro per laghetti UVC

**E Manual de instrucciones**  
Juego de filtros para estanque UVC

**P Instruções de manejo**  
Conjunto de filtros para lagos UVC

**DK Brugsanvisning**  
UVC-bassinfiltersæt

# GARDENA UVC Pond Filter Set F 5000 S / F 8000 S

Welcome to GARDENA aquamation...



Translation of the original instructions from German. Please read these operating instructions carefully and follow the instructions. Use these instructions to get to know the UVC Pond Filter Set, using it correctly and the safety instructions.



For safety reasons, children and young people under 16 years of age and people who are not acquainted with these Operating Instructions may not use this UVC Pond Filter Set.

→ Please keep these operating instructions in a safe place.

## Contents

1. Range of Uses for Your GARDENA UVC Pond Filter Set	11
2. Safety Instructions	11
3. Function	13
4. Assembly	13
5. Initial Operation	14
6. Maintenance	15
7. Trouble-Shooting	16
8. Putting out of Operation	17
9. Technical Data	18
10. Accessories	18
11. Service / Warranty	18

## 1. Range of Uses for Your GARDENA UVC Pond Filter Set

### Purpose

The GARDENA UVC Pond Filter Set is intended for private use in domestic gardens and allotments and should only be used out of doors for cleaning garden ponds with and without fish.

#### F 5000 S:

for ponds with a volume of up to 5000 l without fish / 2500 l with fish

#### F 8000 S:

for ponds with a volume of up to 8000 l without fish / 4000 l with fish

### Please note

The GARDENA UVC Pond Filter Set cleans the pond water biologically and mechanically and reduces the growth of algae. Algae is bound together and pathogens (particularly in fish ponds) are destroyed.



**The GARDENA UVC Pond Filter Set is not suitable for industrial use or in combination with chemicals, food, easily combustible and explosive substances.**

## 2. Safety Instructions

→ Comply with the safety instructions on the GARDENA UVC Pond Filter Set.



### WARNING !

→ Read the operating instructions before using the equipment for the first time!



### DANGER !

→ Ultraviolet radiation. Protect eyes from flash.

**This radiation is harmful to eyes and skin.**

→ **Never operate the UV unit when the housing has been removed.**

**Electrical safety:**

→ **Inspect the equipment before use to ensure that the pump and the UVC unit, especially the power cable and plug, are undamaged.**

**Do not use a damaged UVC unit or pump.**

**Do not use the light if the connection lead, glass tube or the housing of the UVC unit appear to be defective.**

If the pump or UVC unit is damaged, please have them checked by our GARDENA Service Centre or an authorised electrician.

The UVC-unit and the pump must be operated via a residual-current device (FI-switch) with a nominal fault current  $\leq 30$  mA (DIN VDE 0100-702 and 0100-738).

→ Please ask your electrician for his advice.

Mains power cables should not have a smaller cross-section than a rubber sheathed cable of the designation H05 RNF.

Extension cables must meet the requirements of DIN VDE 0620.

The information on the model plate of the UVC unit must match the power supply.

The connection cable of the UVC-unit and the pump cannot be replaced.

If the cable is damaged the UV unit must be scrapped.

Do not use extension leads, connection leads or adapters without a protective contact.

The fountain pump must not be operated when there are people in the water.

Swimming pools and garden ponds should be designed according to international and national design regulations.

→ Please ask your electrician for his advice.

Never carry the UVC-unit and the pump by the cable. Do not pull on the cable to unplug the plug from the socket.

Please protect the cable from heat, oil and sharp edges. Make sure that connection points remain dry.

Always unplug the equipment when dismantling the set, when it is not in use and before maintenance.

→ Always disconnect the UVC unit and the pump from the mains before undertaking any work on them.

**For Austria**

In Austria power cables should correspond to ÖVE-EM 42, T 2 (2000)/1979 § 22 according to § 2022.1. According to this standard units used in swimming pools and ponds should only be operated via an isolating transformer.

→ Please contact your electrician.

**For Switzerland**

In Switzerland mobile appliances which are used outdoors, must be connected via a residual-current device.

**Notes:**

**Never operate the UVC unit without water throughout.**

**Never let the pump run dry; running dry generates heat and will damage the pump.**

Sand and other abrasive substances in the liquid cause increased wear and reduce the output of the pump.

The temperature of the liquid used must not be below 4 °C or above 35 °C.

**Safety switch:**

If the UVC light overheats, it is switched off by the built-in thermal protection switch. The UVC light switches itself on again automatically when it has cooled down sufficiently.

Due to the integrated safety switch the lamp only comes on when the UVC unit is properly installed.

**Positioning the filter:**

→ Stand or bury the filter housing in a stable position at least 2 m away next to the garden pond.

The filter must be positioned higher than the surface of the pond.

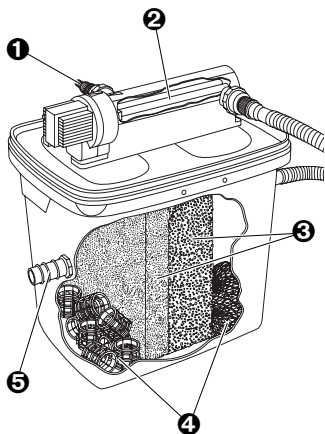
**Bacterial Activity:**

Extensive bacterial activity arises from + 10 °C onwards.

The filter system is a biological system and therefore, when newly installed, needs a few weeks until it is fully effective.

If possible, the filter should be in permanent operation from spring to autumn and should not dry out.

### 3. Function



#### 1 Water intake

Universal connection for the pump supply hose in the pond.

#### 2 UVC-radiation

The pond water, which has already undergone preliminary treatment, is subjected to short wave UVC-light (ultraviolet rays). During this process, the algal growth is reduced and germs which cause disease in fish ponds are killed.

#### 3 Mechanical filtering

Dirt in the pond water is retained mechanically by the large outer surface of the foam components in the filter.

#### 4 Biological treatment

The biological pond water treatment takes place in two different areas of the filter:

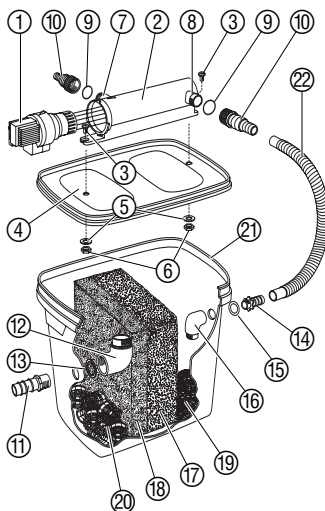
- **Blue filter sponge/bio-surface elements:**  
This promotes the growth of micro-organisms which guarantee the conversion of ammonia into nitrate via nitrite (nitrification).
- **Black filter sponge/lava stone:**  
This supports the growth of anaerobic micro-organisms which promote denitrication (reduction of nitrate to nitrogen).

#### 5 Water outlet

Connection nipple (1 1/4") to enable the treated water to be returned.

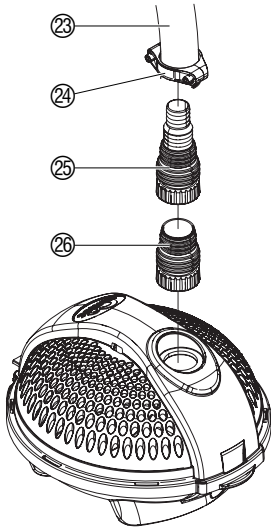
### 4. Assembly

#### Assembling the UVC filter:



1. Turn UVC unit head ① of the UVC unit ② anti-clockwise 1 and remove carefully 2 (bayonet fitting). (see 7. Trouble-Shooting "Changing the bulb").
2. Push the two bolts ③ into the guides on the UVC unit ② and place on the filter cover ④.
3. From underneath, screw one washer ⑤ and one nut ⑥ respectively on to the bolts ③ and screw the UVC unit ② firmly on to the filter cover ④.
4. Screw one universal connection nipple ⑩ with O-ring ⑨ on the UVC-intake ⑦ und UVC-outlet ⑧ respectively.
5. Insert water outlet (1 1/4") ⑪ from outside into the drilled hole, push the large seal ⑬ onto the water outlet ⑪ from inside and screw the large angled piece ⑫ on the water outlet ⑪ (the large angled piece ⑫ must point upwards).
6. Push small seal ⑮ on to the water intake (3/4") ⑭, push it into the drilled hole and screw the small angled piece ⑯ on to the water intake ⑭ (the seal ⑮ sits on the outside on the filter housing ⑳ and the angled piece ⑯ must point downwards).
7. Place coarse filter sponge (blue) ⑰ and fine filter sponge (grey) ⑱ in the centre of the filter as illustrated.
8. Insert the lava stone ⑲ on the intake side and the flat bio-elements ⑳ on the outlet side.
9. Press filter cover ④ with UVC unit ② on to the filter housing ⑳.

**Join the connecting hose to the pump:**

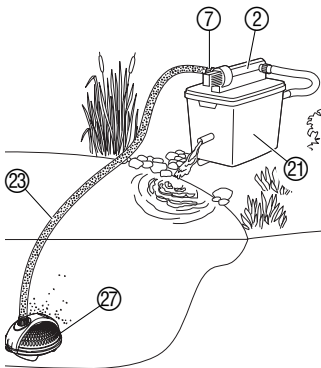


10. Connect the UVC outlet ⑧ to the water intake ⑭ of the filter with approx. 50 cm of the hose supplied ⑳.
11. Insert UVC bulb and fit UVC unit (see 7. Trouble-Shooting "Changing the bulb").

1. Cut the connecting hose ㉓ between pump and filter to size accordingly.
2. Screw the adapter ㉖ (pre-mounted) and connecting nipple ㉕ on the pump.
3. Push the hose clamp ㉔ onto the connecting hose ㉓.
4. Slide the connecting hose ㉓ onto the connecting nipple ㉕.
5. Secure the connecting hose ㉓ with the hose clamp ㉔.

## 5. Initial Operation

**Start up UVC-pond filter:**



1. Stand or bury the filter housing ② in a stable position at least 2 m away next to the garden pond.  
*The outlet may not be more than 1m above the surface of the pond.*

Set up the UVC-pond filter horizontally so that the filter cannot overflow.

2. Using the remainder of the hose ㉓, connect the pump ㉗ to the UVC intake ⑦.
3. Place the pump ㉗ in a stable position within the garden pond so that the pump ㉗ are completely covered with water.
4. Plug the mains plug of the pump ㉗ into a 230 V AC socket.  
**Warning: The pump will start immediately!**
5. Plug the mains plug of the UVC unit ② into a 230 V AC socket.

**Return flow tip:**

We recommend that you lay the return flow in such a way that the purified water is reintroduced indirectly e.g. via a short stream. This enriches the purified water with additional oxygen.

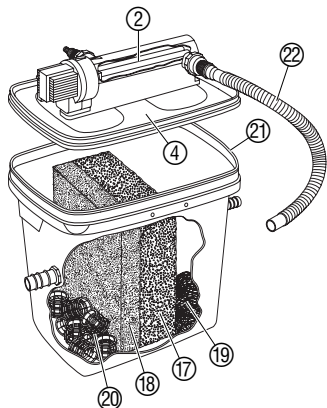
## 6. Maintenance



**DANGER! Electric shock!**

→ Before undertaking maintenance, unplug the UVC-unit and the pump from the mains!

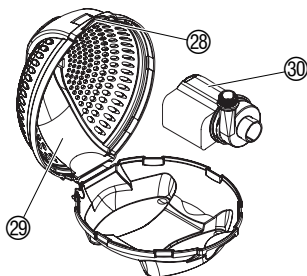
### Cleaning the filter:



Do not use any chemical cleaning agents so that the bacteria are not killed.

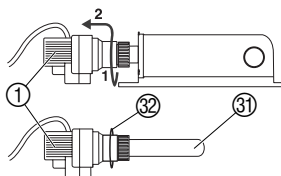
1. Remove filter cover ④ with UVC-unit ② from filter housing ②① and pull off the hose ②②.
2. Remove filter sponge ①⑦ / ①⑧ and clean under running water.
3. Rinse the lava stone ①⑨ and the bio-surface elements ②⑩ gently in clean water (do not clean under running water).
4. Empty filter housing ②① completely and clean under running water.
5. Re-assemble the filter in reverse order (see 4. Assembly "Assembling the UVC-filter").
6. Restart the filter (see 5. Using for the First Time "Starting the UVC pond filter").

### Cleaning the pump housing of the pump:



1. Take pump out of the water.
2. Unscrew the connecting hose.
3. Unlock snap fastening ②⑧ and open up the pump housing ②⑨.
4. Take pump ③⑩ out of the pump housing ②⑨.
5. Clean pump housing ②⑨ with a jet of water.
6. Re-assemble pump in reverse order.

### Cleaning the UVC unit:



1. Turn the top ① of the UVC unit anticlockwise 1 and carefully remove 2 (bayonet socket).
2. Clean the glass tube ③① (using liquid glass cleaner, for example).
3. Fit the UVC unit again in reverse order.

When installing, make sure that the O-ring ③② is inserted correctly in the top of the UVC unit ①.

## 7. Trouble-Shooting



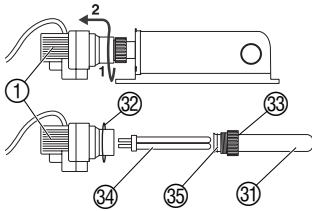
### **DANGER ! Electric shock !**

→ Before undertaking Trouble-Shooting, unplug the UVC-unit and the pump from the mains !

The UVC bulb should be replaced after approximately 8,000 operating hours since the UVC performance decreases dramatically after this time.

Only bulbs of the type TC-S (UV-C) may be used. (E. g. Radium, Philips or Sylvania: The correct UVC-bulb can be ordered from GARDENA Service as a spare part.

### **Changing the bulb :**



1. Turn the top ① of the UVC unit anticlockwise **1** and carefully remove **2** (bayonet socket).
2. Carefully unscrew the ring ③.
3. Pull off the glass tube ③① (It may be relatively difficult to remove the glass tube due to mineral deposits.)
4. Take out faulty bulb ④ and insert new bulb.
5. Reassemble the UVC unit in reverse order.



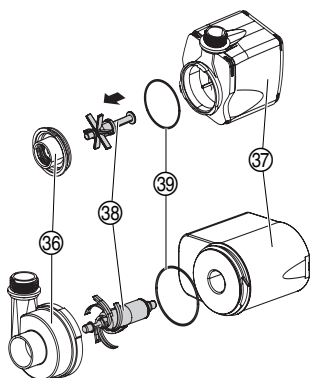
### **WARNING ! Short-circuit !**

→ The ring ③ must be screwed on firmly again to guarantee that the glass tube ③① is sealed !

When installing, make sure that the O-ring ⑤ fits properly on the glass tube ③① and that the O-ring ② is inserted correctly in the top of the UVC unit ①.

Due to the integrated safety switch the lamp only comes on when the UVC unit is properly installed.

### **Cleaning the pump :**



1. Remove pump from pump housing (see **6. Maintenance** "Cleaning the pump housing of the pump").
2. Turn pump cover ⑥ anti-clockwise and draw vertically out of the motor housing ⑦ (bayonet fitting).
3. Draw rotor unit ⑧ out of motor housing ⑦ and clean.
4. Push cleaned rotor unit ⑧ back into the motor housing ⑦.
5. Press pump cover ⑥ vertically on to the motor housing ⑦ and close by turning clockwise.  
*During this, ensure that the O-ring ⑨ is installed correctly.*
6. Assemble pump in the pump housing.

Fault	Possible Cause	Remedy
The water is not clear	Filter or delivery capacity of the pump not suitable.	→ Check whether UVC pond filter set is sufficient for the pond. (see 1. Area of Use of Your GARDENA UVC Pond Filter Set).
	Too many fish and creatures in the pond.	→ Add up the estimated length of the fish. There should only be “80 cm fish” per m <sup>3</sup> water in the pond.
	The glass tube of the UVC unit is dirty.	→ Clean UVC unit (see 6. Maintenance).
The flow is reduced	The filter sponges are dirty.	→ Clean filter (see 6. Maintenance).
	Pump filter housing is dirty.	→ Clean pump filter housing.
	Rotor unit is blocked.	→ Clean pump.
The UVC pilot light is not on	Bulb defective.	→ Change bulb.
	Electrical connections defective.	→ Check electrical connections.



In the event of other faults please contact GARDENA Service.  
Repairs should only be carried out by GARDENA service centres or dealers authorised by GARDENA.

## 8. Putting out of Operation

**Overwintering / Storage:**



1. Before frosts commence, remove the pump from the pond, take the hose off the pump and empty the filter completely.
2. Clean filter, UVC unit and pump thoroughly and dry it (see **6. Maintenance**).
3. Store filter, UVC unit and pump in a frost-free place.

**Store out of reach of children.**

**Disposal:**  
(in accordance with  
RL 2002/96/EC)



The product must not be added to normal household waste. It must be disposed of in line with local environmental regulations.  
→ Important: Make sure that the unit is disposed of via your municipal recycling collection centre.



## 9. Technical Data

	<b>F 5000 S (Art. 7932)</b>	<b>F 8000 S (Art. 7939)</b>
<b>Rated power, UVC unit</b>	7 W	11 W
<b>Power cable, UVC unit</b>	3 m H05 RN-F3G0,75	3 m H05 RN-F3G0,75
<b>Bulb, UVC unit</b>	type 7 W TC-S (UV-C) (e.g. Radium: Puritec NSE 7-270, Philips: TUV PL-S 7 W or Sylvania: G7 LYNX-S Germicidal)	type 11W TC-S (UV-C) (e.g. Radium: Puritec NSE 11-270, Philips: TUV PL-S 11 W or Sylvania: G11 LYNX-S Germicidal)
<b>Rated power, pump</b>	25 W	40 W
<b>Power cable, pump</b>	10 m H05 RN-F 3G0,75	10 m H05 RN-F 3G0,75
<b>Max. delivery capacity, pump</b>	1,500 l/h	2,500 l/h
<b>Max. delivery head, pump</b>	1.9 m	2.2 m
<b>Max. operating pressure</b>	0.19 bar	0.22
<b>Mains voltage / mains frequency</b>	230 V / 50 Hz	230 V / 50 Hz
<b>Max. immersion depth</b>	2 m	2 m
<b>Media temperature</b>	4 °C – 35 °C	4 °C – 35 °C

## 10. Accessories

**GARDENA Ribbed pond hoses** 1 1/4"-hose (for use as drainage hose) **Art. 7832**

## 11. Service / Warranty

GARDENA provides a 2 year warranty on this product and a 3 year warranty on the pump (from date of purchase). This guarantee covers all serious defects of the unit that can be proved to be material or manufacturing faults. Under warranty we will either replace the unit or repair it free of charge if the following conditions apply:

- The unit must have been handled properly and in keeping with the requirements of the operating instructions.
- Neither the purchaser or a non-authorised third party have attempted to repair the unit.

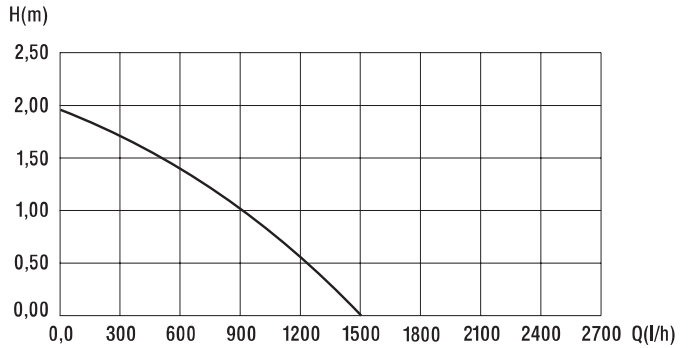
The wearing parts UVC bulb, filter materials and rotor unit are excluded from the warranty.

This manufacturer's guarantee does not affect the user's existing warranty claims against the dealer/seller.

If you have any problems with your UVC-pond filter, please contact our Customer Service or return the defective unit together with a short description of the problem directly to one of the GARDENA Service Centres listed on the back of this leaflet.

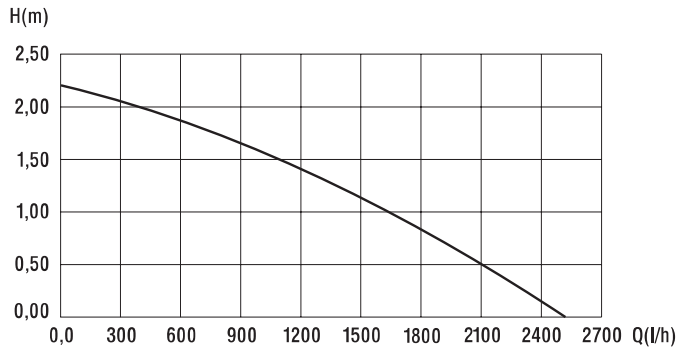
**F 5000 S Art. 7932**

Pumpen-Kennlinie  
Performance characteristics  
Courbes de performance  
Prestatiegrafiek  
Kapacitetskurva  
Curva di rendimento  
Curva característica  
de la bomba  
Características  
de performance  
Ydelses karakteristika




**F 8000 S Art. 7939**

Pumpen-Kennlinie  
Performance characteristics  
Courbes de performance  
Prestatiegrafiek  
Kapacitetskurva  
Curva di rendimento  
Curva característica  
de la bomba  
Características  
de performance  
Ydelses karakteristika



<p><b>D</b> <i>Produkthftung</i></p>	<p>Wir weisen ausdrücklich darauf hin, dass wir nach dem Produkthaftungsgesetz nicht für durch unsere Geräte hervorgerufene Schäden einzustehen haben, sofern diese durch unsachgemäße Reparatur verursacht oder bei einem Teileaustausch nicht unsere Original GARDENA Teile oder von uns freigegebene Teile verwendet werden und die Reparatur nicht vom GARDENA Service oder dem autorisierten Fachmann durchgeführt wird. Entsprechendes gilt für Ergänzungssteile und Zubehör.</p>
<p><b>GB</b> <i>Product Liability</i></p>	<p>We expressly point out that, in accordance with the product liability law, we are not liable for any damage caused by our units if it is due to improper repair or if parts exchanged are not original GARDENA parts or parts approved by us, and, if the repairs were not carried out by a GARDENA Service Centre or an authorised specialist. The same applies to spare parts and accessories.</p>
<p><b>F</b> <i>Responsabilité</i></p>	<p>Nous vous signalons expressément que GARDENA n'est pas responsable des dommages causés par ses appareils, dans la mesure où ces dommages seraient causés suite à une réparation non conforme, dans la mesure où, lors d'un échange de pièces, les pièces d'origine GARDENA n'auraient pas été utilisées, ou si la réparation n'a pas été effectuée par le Service Après-Vente GARDENA ou l'un des Centres SAV agréés GARDENA. Ceci est également valable pour tout ajout de pièces et d'accessoires autres que ceux préconisés par GARDENA.</p>
<p><b>NL</b> <i>Productaansprakelijkheid</i></p>	<p>Wij wijzen er nadrukkelijk op, dat wij op grond van de wet aansprakelijkheid voor producten niet aansprakelijk zijn voor schade ontstaan door onze apparaten, indien deze door onvakkundige reparatie veroorzaakt zijn, of er bij het uitwisselen van onderdelen geen gebruik gemaakt werd van onze originele GARDENA onderdelen of door ons vrijgegeven onderdelen en de reparatie niet door de GARDENA technische dienst of de bevoegde vakman uitgevoerd werd. Ditzelfde geldt voor extra-onderdelen en accessoires.</p>
<p><b>S</b> <i>Produktansvar</i></p>	<p>Tillverkaren är inte ansvarig för skada som orsakats av produkten om skadan beror på att produkten har reparerats felaktigt eller om, vid reparation eller utbyte, andra än Original GARDENA reservdelar har använts. Samma sak gäller för kompletteringsdelar och tillbehör.</p>
<p><b>I</b> <i>Responsabilità del prodotto</i></p>	<p>Si rende espressamente noto che, conformemente alla legislazione sulla responsabilità del prodotto, non si risponde di danni causati da nostri articoli se originati da riparazioni eseguite non correttamente o da sostituzioni di parti effettuate con materiale non originale GARDENA o comunque da noi non approvato e, in ogni caso, qualora l'intervento non venga eseguito da un centro assistenza GARDENA o da personale specializzato autorizzato. Lo stesso vale per le parti complementari e gli accessori.</p>
<p><b>E</b> <i>Responsabilidad de productos</i></p>	<p>Advertimos que conforme a la ley de responsabilidad de productos no nos responsabilizamos de daños causados por nuestros aparatos, siempre y cuando dichos daños hayan sido originados por arreglos o reparaciones indebidas, por recambios con piezas que no sean piezas originales GARDENA o bien piezas autorizadas por nosotros, así como en aquellos casos en que la reparación no haya sido efectuada por un Servicio Técnico GARDENA o por un técnico autorizado. Lo mismo es aplicable para las piezas complementarias y accesorios.</p>
<p><b>P</b> <i>Responsabilidade sobre o produto</i></p>	<p>Queremos salientar que segundo a lei da responsabilidade do fabricante, nós não nos responsabilizaremos por danos causados pelo nosso equipamento, quando estes ocorram em decorrência de reparações inadequadas ou da substituição de peças por peças não originais da GARDENA, ou peças não autorizadas. A responsabilidade tornar-se-à nula também depois de reparações realizadas por oficinas não autorizadas pela GARDENA. Esta restrição valerá também para peças adicionais e acessórios.</p>
<p><b>DK</b> <i>Produktansvar</i></p>	<p>Vi gør udtrykkeligt opmærksom på at i henhold til produktansvarsloven er vi ikke ansvarlige for skader forårsaget af vores udstyr, hvis det skyldes uautoriserede reparationer eller hvis dele er skiftet ud og der ikke er anvendt originale GARDENA dele eller dele godkendt af os, eller hvis reparationerne ikke er udført af GARDENA-service eller en autoriseret fagmand. Det samme gælder for ekstra udstyr og tilbehør.</p>

<p><b>D EU-Konformitätserklärung</b>  <b>MaskinenVerordnung (9. GSGVO) / EMVG / Niedersp. RL</b>  Der Unterzeichnete GARDENA Manufacturing GmbH, Hans-Lorenser-Str. 40, D-89079 Ulm, bestätigt, dass die nachfolgend bezeichneten Geräte in der von uns in Verkehr gebrachten Ausführung die Anforderungen der harmonisierten EU-Richtlinien, EU-Sicherheitsstandards und produktspezifischen Standards erfüllen. Bei einer nicht mit uns abgestimmten Änderung der Geräte verliert diese Erklärung ihre Gültigkeit.</p>	<p>Bezeichnung des Gerätes: UVC-Teichfilter-Set  Description of the unit: UVC-Pond filter-Set  Désignation du matériel : Kit filtre de bassin UVC  Ormschrijving van het apparaat: UVC-vijverfilterset  Produktbeskrivning: UVC-damfiltersats  Descrizione del prodotto: Set filtro per laghetti UVC  Descripción de la mercancía: Juego de filtros para estanque UVC  Descrição do aparelho: Conjunto de filtros para lagos UVC  Beskrivelse af enhederne: UVC-bassinfiltersæt</p>
<p><b>GB EU Certificate of Conformity</b>  The undersigned GARDENA Manufacturing GmbH, Hans-Lorenser-Str. 40, D-89079 Ulm, hereby certifies that, when leaving our factory, the units indicated below are in accordance with the harmonised EU guidelines, EU standards of safety and product specific standards. This certificate becomes void if the units are modified without our approval.</p>	<p>Typ: Art.-Nr.:  Type: Art. No.:  Type : Référence :  Typ: F 5000 S Art. nr.: 7932  Type: Art.nr. :  Modello: F 8000 S Art. : 7939  Tipo: Art. Nº:  Tipo: Art. Nº:  Type: Varenr. :</p>
<p><b>F Certificat de conformité aux directives européennes</b>  Le constructeur, soussigné : GARDENA Manufacturing GmbH, Hans-Lorenser-Str. 40, D-89079 Ulm, déclare qu'à la sortie de ses usines le matériel neuf désigné ci-dessous était conforme aux prescriptions des directives européennes énoncées ci-après et conforme aux règles de sécurité et autres règles qui lui sont applicables dans le cadre de l'Union européenne. Toute modification portée sur ce produit sans l'accord express de GARDENA supprime la validité de ce certificat.</p>	<p>EU-Richtlinien:  EU directives: 2006/95/EC  Directives européennes : 2004/108/EC  EU-richtlijnen: 98/37/EC : 1998  EU direktiv: 2006/42/EC : 2006  Directive UE: 93/68/EC  Normativa UE:  Directrizas da UE:  EU Retningslinier:</p>
<p><b>NL EU-overeenstemmingsverklaring</b>  Ondergetekende GARDENA Manufacturing, Hans-Lorenser-Str. 40, D-89079 Ulm, bevestigt, dat de volgende genoemde apparaten in de door ons in de handel gebrachte uitvoering voldoen aan de eis van, en in overeenstemming zijn met de EU-richtlijnen, de EU-veiligheidsstandaard en de voor het product specifieke standaard. Bij een niet met ons afgestemde verandering aan de apparaten verliest deze verklaring haar geldigheid.</p>	<p>Nationale Normen: EN 60335-1  EN 60335-2-41  EN 60598-1  EN 60598-2-1  EN 55014-1  EN 55014-2  EN 55015  EN 61000-3-2  EN 61000-3-3</p>
<p><b>S EU Tillverkarintyg</b>  Undertecknad firma GARDENA Manufacturing GmbH, Hans-Lorenser-Str. 40, D-89079 Ulm, intygar härmed att nedan nämnda produkter överensstämmer med EU:s direktiv, EU:s säkerhetsstandard och produktspecifikation. Detta intyg upphör att gälla om produkten ändras utan vårt tillstånd.</p>	<p>Anbringningsjahr der CE-Kennzeichnung:  Year of CE marking:  Date d'apposition du marquage CE :  Installatiejaar van de CE-aanduiding: 2005  CE-Märkningsår:  Anno di rilascio della certificazione CE:  Colocación del distintivo CE:  Ano de marcação pela CE:  CE-Mærkningsår:</p>
<p><b>I Dichiarazione di conformità alle norme UE</b>  La sottoscritta GARDENA Manufacturing GmbH, Hans-Lorenser-Str. 40, D-89079 Ulm, certifica che il prodotto qui di seguito indicato, nei modelli da noi commercializzati, è conforme alle direttive armonizzate UE nonché agli standard di sicurezza e agli standard specifici di prodotto. Qualunque modifica apportata al prodotto senza nostra specifica autorizzazione invalida la presente dichiarazione.</p>	<p>  Peter Lameil  Technische Leitung  Technical Dept. Manager  Direction technique  Hoofd technische dienst  Technical Director  Direzione Tecnica  Dirección Técnica  Director Técnico  Teknisk direktør</p>
<p><b>E Declaración de conformidad de la UE</b>  El que suscribe GARDENA Manufacturing, Hans-Lorenser-Str. 40, D-89079 Ulm, declara que la presente mercancía, objeto de la presente declaración, cumple con todas las normas de la UE, en lo que a normas técnicas, de homologación y de seguridad se refiere. En caso de realizar cualquier modificación en la presente mercancía sin nuestra previa autorización, esta declaración pierde su validez.</p>	<p>Ulm, den 01.12.2005  Ulm, 01.12.2005  Fait à Ulm, le 01.12.2005  Ulm, 01.12.2005  Ulm, 2005.12.01  Ulm, 01.12.2005  Ulm, 01.12.2005  Ulm, 01.12.2005  Ulm, 01.12.2005  Ulm, 01.12.2005</p>
<p><b>P Certificado de conformidad da UE</b>  Os abaixo mencionados GARDENA Manufacturing GmbH, Hans-Lorenser-Str. 40, D-89079 Ulm, por este meio certificam que ao sair da fábrica o aparelho abaixo mencionado está de acordo com as diretrizes harmonizadas da UE, padrões de segurança e de produtos específicos. Este certificado ficará nulo se a unidade for modificada sem a nossa aprovação.</p>	<p>Ulm, den 01.12.2005  Ulm, 01.12.2005  Fait à Ulm, le 01.12.2005  Ulm, 01.12.2005  Ulm, 2005.12.01  Ulm, 01.12.2005  Ulm, 01.12.2005  Ulm, 01.12.2005  Ulm, 01.12.2005  Ulm, 01.12.2005</p>
<p><b>DK EU Overensstemmelse certificat</b>  Undertegnede GARDENA Manufacturing GmbH, Hans-Lorenser-Str. 40, D-89079 Ulm bekræfter hermed, at enheder listet herunder, ved afsendelse fra fabrikken, er i overensstemmelse med harmoniserede EU retningslinier, EU sikkerhedsstandarder og produktspecifikationsstandarder. Dette certifikat træder ud af kraft hvis enhederne er ændret uden vor godkendelse.</p>	<p>Ulm, den 01.12.2005  Ulm, 01.12.2005  Fait à Ulm, le 01.12.2005  Ulm, 01.12.2005  Ulm, 2005.12.01  Ulm, 01.12.2005  Ulm, 01.12.2005  Ulm, 01.12.2005  Ulm, 01.12.2005  Ulm, 01.12.2005</p>

**Deutschland / Germany**

GARDENA  
Manufacturing GmbH  
Service Center  
Hans-Lorenser-Straße 40  
D-89079 Ulm  
Produktfragen:  
(+49) 731 490-123  
Reparaturen:  
(+49) 731 490-290  
service@gardena.com

**Argentina**

Argensem® S.A.  
Calle Colonia Japonesa s/n  
(1625) Loma Verde  
Escobar, Buenos Aires  
Phone: (+54) 34 88 49 40 40  
info@argensem.com.ar

**Australia**

Nylex Consumer Products  
50-70 Stanley Drive  
Somerton, Victoria, 3062  
Phone: (+61) 1800 658 276  
spare.parts@nylex.com.au

**Austria / Österreich**

GARDENA  
Österreich Ges.m.b.H.  
Stettnerweg 11-15  
2100 Korneuburg  
Tel.: (+43) 22 62 7 45 45 36  
kundendienst@gardena.at

**Belgium**

GARDENA Belgium NV/SA  
Sterrebeekstraat 163  
1930 Zaventem  
Phone: (+32) 2 7 20 92 12  
Mail: info@gardena.be

**Brazil**

Palash Comércio e  
Importação Ltda.  
Rua Américo Brasiliense,  
2414 - Chácara Sto Antonio  
São Paulo - SP - Brasil -  
CEP 04715-005  
Phone: (+55) 11 5181-0909  
eduardo@palash.com.br

**Bulgaria**

DENEX LTD.  
2 Luis Ahalier Str. - 7th floor  
Sofia 1404  
Phone: (+359) 2 958 18 21  
office@denex-bg.com

**Canada**

GARDENA Canada Ltd.  
100 Summerlea Road  
Brampton, Ontario L6T 4X3  
Phone: (+1) 905 792 93 30  
info@gardenacanada.com

**Chile**

Antonio Martinic y Cia Ltda.  
Cassillas 272  
Centro de Cassillas  
Santiago de Chile  
Phone: (+56) 2 20 10 708  
garfar\_cl@yahoo.com

**Costa Rica**

Compania Exim  
Euroberoamericana S.A.  
Los Colegios, Moravia,  
200 metros al Sur del Colegio  
Saint Francis - San José  
Phone: (+506) 297 68 83  
exim\_euro@racsa.co.cr

**Croatia**

KLIS d.o.o.  
Stanciceva 79  
10419 Vukovina  
Phone: (+385) 1 622 777 0  
gardena@klis-trgovina.hr

**Cyprus**

FARMOKIPIKI LTD  
P.O. Box 7098  
74, Digeni Akritra Ave.  
1641 Nicosia  
Phone: (+357) 22 75 47 62  
condam@spidernet.com.cy

**Czech Republic**

GARDENA spol. s r.o.  
Řípská 20a, č.p. 1153  
627 00 Brno  
Phone: (+420) 800 100 425  
gardena@gardenabrn.cz

**Denmark**

GARDENA Norden AB  
Salgsafdeling Danmark  
Box 9003  
S-200 39 Malmö  
info@gardena.dk

**Finland**

Habitec Oy  
Martinkyläntie 52  
01720 Vantaa

**France**

GARDENA  
PARIS NORD 2  
69, rue de la Belle Etoile  
BP 57080  
ROISSY EN FRANCE  
95948 ROISSY CDG CEDEX  
Tél. (+33) 0826 101 455  
service.consommateurs@  
gardena.fr

**Great Britain**

GARDENA UK Ltd.  
27-28 Brenkley Way  
Bleazard Business Park  
Seaton Burn  
Newcastle upon Tyne  
NE13 6DS  
info@gardena.co.uk

**Greece**

Agrokrip  
Psomadopoulos S.A.  
Ifaistou 33A  
Industrial Area Koropi  
194 00 Athens Greece  
V.A.T. EL093474846  
Phone: (+30) 210 66 20 225  
service@agrokrip.gr

**Hungary**

GARDENA  
Magyarország Kft.  
Késmárk utca 22  
1158 Budapest  
Phone: (+36) 80 20 40 33  
gardena@gardena.hu

**Iceland**

Ó. Johnson & Kaaber  
Tunguhalsi 1  
110 Reykjavik  
oaj@ojk.is

**Ireland**

Michael McLoughlin & Sons  
Hardware Limited  
Long Mile Road  
Dublin 12

**Italy**

GARDENA Italia S.p.A.  
Via Donizetti 22  
20020 Lainate (Mi)  
Phone: (+39) 02.93.94.79.1  
info@gardenaitalia.it

**Japan**

KAKUICHI Co. Ltd.  
Sumitomo Realty &  
Development Kojimachi  
BLDG., 8F  
5-1 Nibannayo, Chiyoda-ku  
Tokyo 102-0084  
Phone: (+81) 33 264 4721  
m\_ishihara@kaku-ichi.co.jp

**Luxembourg**

Magasins Jules Neuberg  
39, rue Jacques Stas  
Luxembourg-Gasperich 2549  
Case Postale No. 12  
Luxembourg 2010  
Phone: (+352) 40 14 01  
api@neuberg.lu

**Netherlands**

GARDENA Nederland B.V.  
Postbus 50176  
1305 AD ALMERE  
Phone: (+31) 36 521 00 00  
info@gardena.nl

**Neth. Antilles**

Jonka Enterprises N.V.  
Sta. Rosa Weg 196  
P.O. Box 8200, Curaçao  
Phone: (+599) 9 767 66 55  
pgm@jonka.com

**New Zealand**

NYLEX New Zealand Limited  
Building 2, 118 Savill Drive  
Mangere, Auckland  
Phone: (+64) 0800 22 00 88  
spare.parts@nylex.com.au

**Norway**

GARDENA Norden AB  
Salgskontor Norge  
Karihaugveien 89  
1086 Oslo  
info@gardena.no

**Poland**

GARDENA Polska Sp. z o.o.  
Szymanów 9 d  
05-532 Baniocza  
Phone: (+48) 22 727 56 90  
gardena@gardena.pl

**Portugal**

GARDENA Portugal Lda.  
Recta da Granja do Marquês  
Edif. GARDENA Algueirão  
2725-596 Mem Martins  
Phone: (+351) 21 922 85 30  
info@gardena.pt

**Romania**

MADEX INTERNATIONAL SRL  
Soseaua Odaii 117-123,  
Sector 1,  
București, RO 013603  
Phone: (+40) 21 352 76 03  
madex@ines.ro

**Russia / Россия**

ООО ГАРДЕНА РУС  
123007, г. Москва  
Хорошевское шоссе, д. 32А  
Тел.: (+7) 495 647 25 10  
info@gardena-rus.ru

**Singapore**

Hy - Ray PRIVATE LIMITED  
40 Jalan Pemimpin  
#02-08 Tat Ann Building  
Singapore 577185  
Phone: (+65) 6253 2277  
hyray@singnet.com.sg

**Slovak Republic**

GARDENA Slovensko, s.r.o.  
Panónska cesta 17  
851 04 Bratislava  
Phone: (+421) 263 453 722  
info@gardena.sk

**Slovenia**

GARDENA d.o.o.  
Brodišče 15  
1236 Trzin  
Phone: (+386) 1 580 93 32  
servis@gardena.si

**South Africa**

GARDENA  
South Africa (Pty.) Ltd.  
P.O. Box 11534  
Vorna Valley 1686  
Phone: (+27) 11 315 02 23  
sales@gardena.co.za

**Spain**

GARDENA IBÉRICA S.L.U.  
C/ Basauri, nº 6  
La Florida  
28023 Madrid  
Phone: (+34) 91 708 05 00  
atencioncliente@gardena.es

**Sweden**

GARDENA Norden AB  
Försäljningskontor Sverige  
Box 9003  
200 39 Malmö  
info@gardena.se

**Switzerland / Schweiz**

GARDENA (Schweiz) AG  
Bitzberg 1  
8184 Bachenbülach  
Phone: (+41) 848 800 464  
info@gardena.ch

**Turkey**

GARDENA / Dost Diş Ticaret  
Mümesillik A.Ş. Sanayi  
Çad. Adil Sokak No. 1  
Kartal - İstanbul  
Phone: (+90) 216 38 93 939  
info@gardena-dost.com.tr

**Ukraine / Украина**

ALTEST JSC  
4 Petropavlivska Street  
Petropavlivska  
Borschahivka Town  
Kyivo Svyatoslyn Region  
08130, Ukraine  
Phone: (+380) 44 459 57 03  
upryr@altsest.kiev.ua

**USA**

Melnor Inc.  
3085 Shawnee Drive  
Winchester, VA 22604  
Phone: (+1) 540 722-9080  
service\_us@melnor.com

7932-20.960.02 / 0707

© GARDENA

Manufacturing GmbH

D-89070 Ulm

http://www.gardena.com