

FFP 3000 Art. 7887
FFP 5000 Art. 7888

D Betriebsanleitung

Unterwasserfilter mit Wasserspielpumpen-Set

GB Operating Instructions

Underwater filter with Fountain Pump Set

F Mode d'emploi

Filtre immergé avec kit pompe pour jets d'eau

NL Instructies voor gebruik

Onderwaterfilter met vijverpompset

S Bruksanvisning

Undervattensfilter med pumpset för fontäner

I Istruzioni per l'uso

Filtro subacqueo con set per giochi d'acqua

E Manual de instrucciones

Filtro sumergible con bomba para fuentes de agua

P Instruções de manejo

Filtro submersível com conjunto de bombas de jogos de água

DK Brugsanvisning

Undervandsfilter med springvandspumpesæt

GARDENA Underwater Filter with Fountain Pump Set FFP 3000 / FFP 5000

Welcome to GARDENA aquamation...



Translation of the original instructions from German. Please read these operating instructions carefully and observe the notes given. Use these operating instructions to familiarise yourself with the Underwater Filter with Fountain Pump Set, its proper use and the safety instructions.



For safety reasons, children under 16 as well as persons not familiar with these operating instructions must not use this Underwater Filter with Fountain Pump Set.

→ Keep these operating instructions in a safe place.

Contents

| | |
|---|----|
| 1. Where to use Your Underwater Filter with Fountain Pump Set | 9 |
| 2. Safety instructions | 9 |
| 3. Assembly | 10 |
| 4. Initial Operation | 11 |
| 5. Maintenance | 12 |
| 6. Troubleshooting | 12 |
| 7. Putting into Storage | 13 |
| 8. Accessories | 13 |
| 9. Technical Data | 14 |
| 10. Service / Warranty | 14 |

1. Where to use your GARDENA Underwater Filter with Fountain Pump Set

Intended Use

The GARDENA Underwater Filter with Fountain Pump Set is for private use for cleaning outdoor garden ponds with and without fish stocks. It is not designed for operating watering equipment or irrigation systems.

Please note



The GARDENA Underwater Filter with Fountain Pump Set is not suitable for continuous operation in industrial applications. Corrosive, easily combustible, aggressive or explosive substances (e.g. petrol, petroleum, nitro thinner) as well as salt-water or food and drinking water must not be pumped.

2. Safety instructions

Electrical Safety:

The pump should be operated via a residual current device with a residual current rating of ≤ 30 mA (DIN VDE 0100-702 and 0100-738). The pump must be placed on solid, even ground.

→ Please ask your electrician for his advice.

Always disconnect the pump from the mains before undertaking any work on it.

Power cables must not be of lower quality than the H05 RN-3G x 0,75 rubber hose lines. Extension cables must meet the requirements of DIN VDE 0620.

Data indicated on the type plate must match technical data of the mains supply.

→ Keep mains plug dry.

Please unplug the pump after operation and before carrying out any maintenance works.

The pump must not be operated when there are people in the water. Swimming pools and garden ponds should be designed according to international and national design regulations.

→ Please consult a professional electrician.

For Austria:

Pumps for use on swimming pools and on ponds may only be operated via an isolating transformer.

→ Please consult a professional electrician.

For Switzerland:

In Switzerland mobile appliances which are used outdoors, must be connected via a residual-current device.

Note:

Do not allow the pump to run without water because dry-running leads to an undesirable build up of heat and will destroy the pump.

Before operating the pump, look to see if there is any damage to the pump (esp. regarding power cable and plug).

The connection cable of the pump cannot be replaced. If the cable is damaged the pump must be scrapped.

Do not use the power cable to carry the pump or to pull the plug out of the socket.

Protect the power cable from heat, oil and sharp edges.

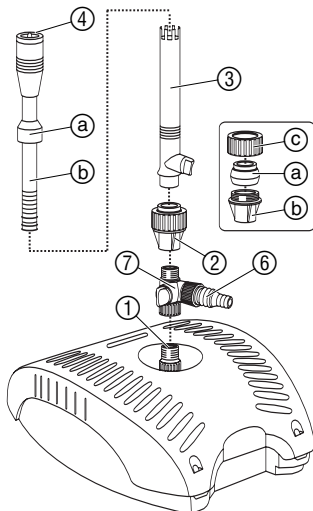
The temperature of the liquid used must not be below 4 °C or above 35 °C.

Sand and other abrasive substances in the liquid cause increased wear and reduce the output of the pump.

Please observe the local noise prevention regulations.

3. Assembly

A Installing underwater filter:



The stepped nipple ($\frac{1}{2}'' / \frac{3}{4}''$) ⑥ can be used for connection, for example, to a gargoyle.

1. Screw the T-piece ⑦ onto the adapter ①.
2. Screw the stepped nipple ⑥ onto the side outlet of the T-piece ⑦.
3. Install the ball joint: place ball ① in ball holder ② and screw on threaded ring ③.
3. Screw the ball joint ② onto the T-piece ⑦.
4. Push the nozzle tube ③ onto the telescopic handle ④ up to the sleeve ⑤.
5. Snap the nozzle tube ③ into the ball joint ②.
6. Screw required fountain insert ④ a) / b) / c) / d) fully into the nozzle tube ③.



a) Cascade



b) Water Bell

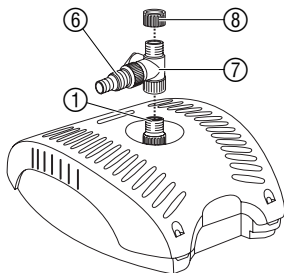


c) Fleur-de-Lis



d) Water Jets

B Installing underwater filter with stepped nipple:

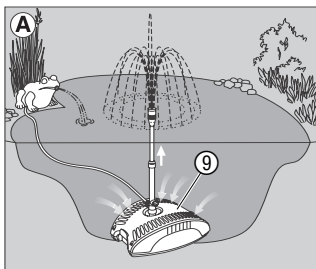


The stepped nipple ($\frac{1}{2}''/\frac{3}{4}''$) ⑥ can be used for connection, for example, to a stream or source stone.

1. Screw the T-piece ⑦ onto the adapter ①.
2. Screw the stepped nipple ⑥ onto the side outlet of the T-piece ⑦.
3. Screw the cap ⑧ onto the T-piece ⑦.

4. Initial Operation

A Putting underwater filter with fountain pump set into operation:



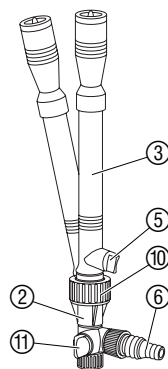
Note: In the event of an uneven foundation, the fountain can be vertically aligned with the adjustable ball joint ②.

1. When using a gargyle, connect the hose of the gargyle to the stepped nipple ⑥.
2. Place the pump with the fountain on a firm base so that the filter housing ⑨ is completely covered by water.
3. Undo the fixing nut ⑩ of the ball joint ②, place nozzle tube ③ vertically and screw fixing nut ⑩ tight again.

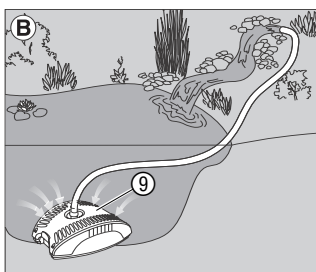
4. Connect the mains plug of the pump to an A.C. socket.

Attention: pump starts immediately.

5. Unscrew **Water Bell, Fleur-de-Lis or Water Jets** out of the nozzle tube ③ until the fountain has the required shape.
6. Adjust the size of the fountain with the regulating valves ⑤.
7. Adjust the required amount of water of the gargyle with the regulating valves ⑪.



B Putting underwater filter with stepped nipple into operation:



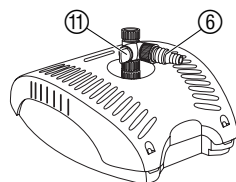
Note: When using a $\frac{3}{4}''$ hose, the front part of the stepped nipple can be cut off with a saw.

1. Connect the hose of the stream to the stepped nipple ⑥.
2. Place the pump with the stepped nipple on a firm base so that the filter housing ⑨ is completely covered by water (max. 2 m under water).

3. Connect the mains plug of the pump to an A.C. socket.

Attention: pump starts immediately.

4. Adjust the required amount of water with the regulating valves ⑪.



5. Maintenance

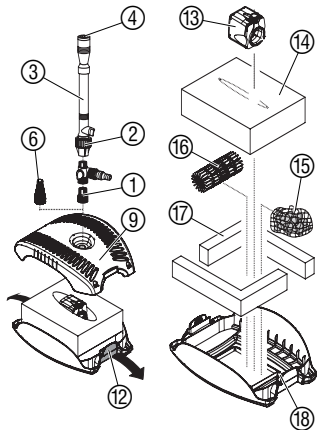


DANGER ! Electric shock !

→ Disconnect the mains plug of the pump before carrying out maintenance work!

Do not use any hard objects or powerful detergents for cleaning the set!

Cleaning the Filter:



1. Take the Underwater Filter out of the water and unscrew the nozzle tube ① / stepped nipple ⑥.
2. Release the catches ⑫ and take out the filter housing ⑨.
3. Remove the pump ⑬ from the filter block ⑭.
4. Remove filter gravel ⑮ and biological surface filter ⑯ and both the filter surrounds ⑰.
5. Wash out the filter housing ⑨, filter block ⑭, gravel ⑮ and filter surrounds ⑰ under running water.
6. Place the biological surface filter ⑯ in clean water (do not wash it under running water).
7. Reassemble the Underwater Filter in the reverse order. Be sure to route the cable in its guides ⑱.

Cleaning water feature and nozzle tube:

1. Unscrew fountain insert ④ from the nozzle tube ③.
2. Wash out the nozzle tube ③ and fountain insert ④ in clean water.

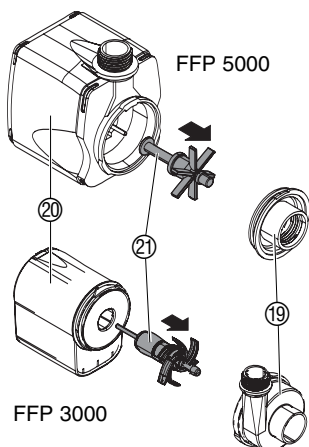
6. Troubleshooting

Cleaning the Pump:



DANGER ! Electric shock !

→ Disconnect the mains plug of the pump before carrying out maintenance work!



1. Remove the pump from the filter block (see **5. Maintenance**).
2. Turn the pump housing ⑱ anticlockwise and pull it vertically off the motor housing ⑳ (Bayonet fastening).
3. Pull the impeller ㉑ out of the motor housing ㉒ and clean it.
4. Push the cleaned impeller ㉑ back into the motor housing ㉒.
5. Press the pump housing ⑱ vertically on to the motor housing ㉒ and turn it clockwise. (Bayonet fastening).
6. Reassemble the pump into the filter block (see **5. Maintenance**).

| Fault | Possible cause | Remedy |
|------------------------------------|--|---|
| No water feature operating | Mains plug not plugged in. | → Plug in mains plug. |
| | Impeller unit is blocked. | → Clean pump. |
| | Electronic circuit breaker has been activated. | → Stand the pump in the water. |
| Reduced water feature | Water feature insert is dirty. | → Clean water feature insert and nozzle pipe. |
| | Filter clogged. | → Clean filter. |
| Pump shuts down after a short time | Water temperature too high. | → Maximum water temperature is 35 °C. |



In the event of other faults please contact GARDENA Service.
Repairs should only be carried out by GARDENA service centres or dealers authorised by GARDENA.

7. Putting into Storage

**Storage /
Overwintering:**



The storage location must not be accessible to children.

1. Remove the underwater filter and fountain pump from the pond before frost is expected and clean.
2. To avoid difficulties when starting up in the spring, we recommend storing the pump in a frost-free location in a container filled with water.

The mains plug must not be submerged.

Disposal:
(in accordance with
RL2002/96/EC)



The product must not be added to normal household waste. It must be disposed of in line with local environmental regulations.
 → Important: Make sure that the unit is disposed of via your municipal recycling collection centre.

8. Accessories

| | | |
|----------------------------------|---|-----------------------------|
| GARDENA Underwater lights | Illuminate water features and the edges of the pond. | Art.-Nr. 7952 / 7954 |
| GARDENA radio control set | Start water features and lighting from the terrace or your living room. | Art.-Nr. 7874 |

9. Technical Data

| | FFP 3000 (Art. 7887) | FFP 5000 (Art. 7888) |
|---------------------------------|-----------------------------|-----------------------------|
| Rated power | 25 W | 30 W |
| Mains voltage/ Frequency | 230 V / 50 Hz | 230 V / 50 Hz |
| Power cable | 10 m H05 RN-3G x 0,75 | 10 m H05 RN-3G x 0,75 |
| Weight without cable | 1.8 kg | 1.8 kg |
| Max. Flow | 1500 l/h | 2300 l/h |
| Max. delivery head | 1.9 m | 2.4 m |
| Max. submersion depth | 2 m | 2 m |
| Pump connection | ½" | ½" |
| Media temperature | 4°C – 35°C | 4°C – 35°C |

11. Service / Warranty

GARDENA guarantees this product for 3 years (from date of purchase). This guarantee covers all serious defects of the unit that can be proved to be material or manufacturing faults. Under warranty we will either replace the unit or repair it free of charge if the following conditions apply:


- The unit must have been handled properly and in keeping with the requirements of the operating instructions.
- Neither the purchaser or a non-authorized third party have attempted to repair the unit.

The impeller and filter foam are wearing parts and are therefore not covered by the warranty.

This manufacturer's guarantee does not affect the user's existing warranty claims against the dealer/seller.

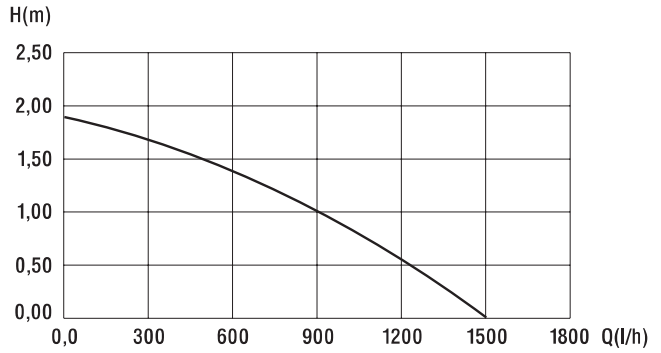
If you have any problems with your Pond Filter and Fountain Pump Set, please contact our Service or return the defective unit together with a short description of the problem – in case of guarantee, with a copy of the receipt – postage paid to one of the GARDENA Service Centres listed on the back of this leaflet.

| | |
|---|---|
| <p>D <i>Produkthftung</i></p> | <p>Wir weisen ausdrücklich darauf hin, dass wir nach dem Produkthaftungsgesetz nicht für durch unsere Geräte hervorgerufene Schäden einzustehen haben, sofern diese durch unsachgemäße Reparatur verursacht oder bei einem Teileaustausch nicht unsere Original GARDENA Teile oder von uns freigegebene Teile verwendet werden und die Reparatur nicht vom GARDENA Service oder dem autorisierten Fachmann durchgeführt wird. Entsprechendes gilt für Ergänzungsteile und Zubehör.</p> |
| <p>GB <i>Product Liability</i></p> | <p>We expressly point out that, in accordance with the product liability law, we are not liable for any damage caused by our units if it is due to improper repair or if parts exchanged are not original GARDENA parts or parts approved by us, and, if the repairs were not carried out by a GARDENA Service Centre or an authorised specialist. The same applies to spare parts and accessories.</p> |
| <p>F <i>Responsabilité</i></p> | <p>Nous vous signalons expressément que GARDENA n'est pas responsable des dommages causés par ses appareils, dans la mesure où ces dommages seraient causés suite à une réparation non conforme, dans la mesure où, lors d'un échange de pièces, les pièces d'origine GARDENA n'auraient pas été utilisées, ou si la réparation n'a pas été effectuée par le Service Après-Vente GARDENA ou l'un des Centres SAV agréés GARDENA. Ceci est également valable pour tout ajout de pièces et d'accessoires autres que ceux préconisés par GARDENA.</p> |
| <p>NL <i>Productaansprakelijkheid</i></p> | <p>Wij wijzen er nadrukkelijk op, dat wij op grond van de wet aansprakelijkheid voor producten niet aansprakelijk zijn voor schade ontstaan door onze apparaten, indien deze door onvakkundige reparatie veroorzaakt zijn, of er bij het uitwisselen van onderdelen geen gebruik gemaakt werd van onze originele GARDENA onderdelen of door ons vrijgegeven onderdelen en de reparatie niet door de GARDENA technische dienst of de bevoegde vakman uitgevoerd werd. Ditzelfde geldt voor extra-onderdelen en accessoires.</p> |
| <p>S <i>Produktansvar</i></p> | <p>Tillverkaren är inte ansvarig för skada som orsakats av produkten om skadan beror på att produkten har reparerats felaktigt eller om, vid reparation eller utbyte, andra än Original GARDENA reservdelar har använts. Samma sak gäller för kompletteringsdelar och tillbehör.</p> |
| <p>I <i>Responsabilità del prodotto</i></p> | <p>Si rende espressamente noto che, conformemente alla legislazione sulla responsabilità del prodotto, non si risponde di danni causati da nostri articoli se originati da riparazioni eseguite non correttamente o da sostituzioni di parti effettuate con materiale non originale GARDENA o comunque da noi non approvato e, in ogni caso, qualora l'intervento non venga eseguito da un centro assistenza GARDENA o da personale specializzato autorizzato. Lo stesso vale per le parti complementari e gli accessori.</p> |
| <p>E <i>Responsabilidad de productos</i></p> | <p>Advertimos que conforme a la ley de responsabilidad de productos no nos responsabilizamos de daños causados por nuestros aparatos, siempre y cuando dichos daños hayan sido originados por arreglos o reparaciones indebidas, por recambios con piezas que no sean piezas originales GARDENA o bien piezas autorizadas por nosotros, así como en aquellos casos en que la reparación no haya sido efectuada por un Servicio Técnico GARDENA o por un técnico autorizado. Lo mismo es aplicable para las piezas complementarias y accesorios.</p> |
| <p>P <i>Responsabilidade sobre o produto</i></p> | <p>Queremos salientar que segundo a lei da responsabilidade do fabricante, nós não nos responsabilizaremos por danos causados pelo nosso equipamento, quando estes ocorram em decorrência de reparações inadequadas ou da substituição de peças por peças não originais da GARDENA, ou peças não autorizadas. A responsabilidade tornar-se-à nula também depois de reparações realizadas por oficinas não autorizadas pela GARDENA. Esta restrição valerá também para peças adicionais e acessórios.</p> |
| <p>DK <i>Produktansvar</i></p> | <p>Vi gør udtrykkeligt opmærksom på at i henhold til produktansvarsloven er vi ikke ansvarlige for skader forårsaget af vores udstyr, hvis det skyldes uautoriserede reparationer eller hvis dele er skiftet ud og der ikke er anvendt originale GARDENA dele eller dele godkendt af os, eller hvis reparationerne ikke er udført af GARDENA-service eller en autoriseret fagmand. Det samme gælder for ekstra udstyr og tilbehør.</p> |

| | | | | | | | | | | | | | | | | | | | | | | | | | | | | | | | | | | | | | |
|---|---|-----------------|-------------------|-------|-------------------|----------------|-------------|---------------|-----------------|------------|---------------|-------------------|---------------|-----------------|------------|-------|------------|--------------|----------|--|------------|---------------|--|--|--------------|---------------|--|--|--------------|--------------------|--|--|--|--------------------|--|--|--|
| <p>D EU-Konformitätserklärung Maschinenverordnung (9. GSGVO) / EMVG / Niedersp. RL Der Unterzeichnete GARDENA Manufacturing GmbH, Hans-Lorenser-Str. 40, D-89079 Ulm, bestätigt, dass die nachfolgend bezeichneten Geräte in der von uns in Verkehr gebrachten Ausführung die Anforderungen der harmonisierten EU-Richtlinien, EU-Sicherheitsstandards und produktspezifischen Standards erfüllen. Bei einer nicht mit uns abgestimmten Änderung der Geräte verliert diese Erklärung ihre Gültigkeit.</p> | <p>Bezeichnung des Gerätes: Unterwasserfilter mit Wasserspielpumpen-Set Description of the unit: Underwater filter with Fountain Pump Set Désignation du matériel : Filtre immergé avec kit pompe pour jets d'eau Omschrijving van het apparaat: Onderwaterfilter met vijverpompset</p> | | | | | | | | | | | | | | | | | | | | | | | | | | | | | | | | | | | | |
| <p>GB EU Certificate of Conformity The undersigned GARDENA Manufacturing GmbH, Hans-Lorenser-Str. 40, D-89079 Ulm, hereby certifies that, when leaving our factory, the units indicated below are in accordance with the harmonised EU guidelines, EU standards of safety and product specific standards. This certificate becomes void if the units are modified without our approval.</p> | <p>Produktbeskrivning: Undervattensfilter med pumpset för fontäner Descrizione del prodotto: Filtro subacqueo con set per giochi d'acqua Descripción de la mercancía: Filtro sumergible con bomba para fuentes de agua Descrição do aparelho: Filtro submersível com conjunto de bombas de jogos de água</p> | | | | | | | | | | | | | | | | | | | | | | | | | | | | | | | | | | | | |
| <p>F Certificat de conformité aux directives européennes Le constructeur, soussigné : GARDENA Manufacturing GmbH, Hans-Lorenser-Str. 40, D-89079 Ulm, déclare qu'à la sortie de ses usines le matériel neuf désigné ci-dessous était conforme aux prescriptions des directives européennes énoncées ci-après et conforme aux règles de sécurité et autres règles qui lui sont applicables dans le cadre de l'Union européenne. Toute modification portée sur ce produit sans l'accord express de GARDENA supprime la validité de ce certificat.</p> | <p>Beskrivelse af enhederne: Undervandsfilter med springvandspumpesæt</p> <table border="0"> <tr> <td>Typ:</td> <td>Art.-Nr.:</td> </tr> <tr> <td>Type:</td> <td>Art. No.:</td> </tr> <tr> <td>Type :</td> <td>Référence :</td> </tr> <tr> <td>Typ: FFP 3000</td> <td>Art. nr. : 7887</td> </tr> <tr> <td>Type:</td> <td>Art.nr. :</td> </tr> <tr> <td>Modello: FFP 5000</td> <td>Art. : 7888</td> </tr> <tr> <td>Tipo:</td> <td>Art. N°:</td> </tr> <tr> <td>Tipo:</td> <td>Art. N°:</td> </tr> <tr> <td>Type:</td> <td>Varen. :</td> </tr> </table> | Typ: | Art.-Nr.: | Type: | Art. No.: | Type : | Référence : | Typ: FFP 3000 | Art. nr. : 7887 | Type: | Art.nr. : | Modello: FFP 5000 | Art. : 7888 | Tipo: | Art. N°: | Tipo: | Art. N°: | Type: | Varen. : | | | | | | | | | | | | | | | | | | |
| Typ: | Art.-Nr.: | | | | | | | | | | | | | | | | | | | | | | | | | | | | | | | | | | | | |
| Type: | Art. No.: | | | | | | | | | | | | | | | | | | | | | | | | | | | | | | | | | | | | |
| Type : | Référence : | | | | | | | | | | | | | | | | | | | | | | | | | | | | | | | | | | | | |
| Typ: FFP 3000 | Art. nr. : 7887 | | | | | | | | | | | | | | | | | | | | | | | | | | | | | | | | | | | | |
| Type: | Art.nr. : | | | | | | | | | | | | | | | | | | | | | | | | | | | | | | | | | | | | |
| Modello: FFP 5000 | Art. : 7888 | | | | | | | | | | | | | | | | | | | | | | | | | | | | | | | | | | | | |
| Tipo: | Art. N°: | | | | | | | | | | | | | | | | | | | | | | | | | | | | | | | | | | | | |
| Tipo: | Art. N°: | | | | | | | | | | | | | | | | | | | | | | | | | | | | | | | | | | | | |
| Type: | Varen. : | | | | | | | | | | | | | | | | | | | | | | | | | | | | | | | | | | | | |
| <p>NL EU-overeenstemmingsverklaring Ondergetekende GARDENA Manufacturing, Hans-Lorenser-Str. 40, D-89079 Ulm, bevestigt, dat de volgende genoemde apparaten in de door ons in de handel gebrachte uitvoering voldoen aan de eis van, en in overeenstemming zijn met de EU-richtlijnen, de EU-veiligheidsstandaard en de voor het product specifieke standaard. Bij een niet met ons afgestemde verandering aan de apparaten verliest deze verklaring haar geldigheid.</p> | <table border="0"> <tr> <td>EU-Richtlijnen:</td> <td>98/37/EC:</td> <td>1998</td> <td>Harmonisierte EN:</td> </tr> <tr> <td>EU directives:</td> <td>2006/42/EC</td> <td></td> <td>EN 60335-1</td> </tr> <tr> <td>Directives</td> <td>européennes :</td> <td>2004/108/EC</td> <td>EN 60335-2-41</td> </tr> <tr> <td>EU-richtlijnen:</td> <td>2006/95/EC</td> <td></td> <td>EN 55014-1</td> </tr> <tr> <td>EU direktiv:</td> <td>93/68/EC</td> <td></td> <td>EN 55014-2</td> </tr> <tr> <td>Direttive UE:</td> <td></td> <td></td> <td>EN 61000-3-2</td> </tr> <tr> <td>Normativa UE:</td> <td></td> <td></td> <td>EN 61000-3-3</td> </tr> <tr> <td>Directrices da UE:</td> <td></td> <td></td> <td></td> </tr> <tr> <td>EU Retningslinier:</td> <td></td> <td></td> <td></td> </tr> </table> | EU-Richtlijnen: | 98/37/EC: | 1998 | Harmonisierte EN: | EU directives: | 2006/42/EC | | EN 60335-1 | Directives | européennes : | 2004/108/EC | EN 60335-2-41 | EU-richtlijnen: | 2006/95/EC | | EN 55014-1 | EU direktiv: | 93/68/EC | | EN 55014-2 | Direttive UE: | | | EN 61000-3-2 | Normativa UE: | | | EN 61000-3-3 | Directrices da UE: | | | | EU Retningslinier: | | | |
| EU-Richtlijnen: | 98/37/EC: | 1998 | Harmonisierte EN: | | | | | | | | | | | | | | | | | | | | | | | | | | | | | | | | | | |
| EU directives: | 2006/42/EC | | EN 60335-1 | | | | | | | | | | | | | | | | | | | | | | | | | | | | | | | | | | |
| Directives | européennes : | 2004/108/EC | EN 60335-2-41 | | | | | | | | | | | | | | | | | | | | | | | | | | | | | | | | | | |
| EU-richtlijnen: | 2006/95/EC | | EN 55014-1 | | | | | | | | | | | | | | | | | | | | | | | | | | | | | | | | | | |
| EU direktiv: | 93/68/EC | | EN 55014-2 | | | | | | | | | | | | | | | | | | | | | | | | | | | | | | | | | | |
| Direttive UE: | | | EN 61000-3-2 | | | | | | | | | | | | | | | | | | | | | | | | | | | | | | | | | | |
| Normativa UE: | | | EN 61000-3-3 | | | | | | | | | | | | | | | | | | | | | | | | | | | | | | | | | | |
| Directrices da UE: | | | | | | | | | | | | | | | | | | | | | | | | | | | | | | | | | | | | | |
| EU Retningslinier: | | | | | | | | | | | | | | | | | | | | | | | | | | | | | | | | | | | | | |
| <p>S EU Tillverkarintyg Undertecknad firma GARDENA Manufacturing GmbH, Hans-Lorenser-Str. 40, D-89079 Ulm, intygar härmed att nedan nämnda produkter överensstämmer med EU:s direktiv, EU:s säkerhetsstandard och produktspecifikation. Detta intyg upphör att gälla om produkten ändras utan vårt tillstånd.</p> | <p>Anbringningsår der CE-Kennzeichnung: Year of CE marking: Date d'apposition du marquage CE : Installatiejaar van de CE-aanduiding: CE-Märkningsår: 2005 Anno di rilascio della certificazione CE: Colocación del distintivo CE: Ano de marcação pela CE: CE-Mærkningsår:</p> | | | | | | | | | | | | | | | | | | | | | | | | | | | | | | | | | | | | |
| <p>I Dichiarazione di conformità alle norme UE La sottoscritta GARDENA Manufacturing GmbH, Hans-Lorenser-Str. 40, D-89079 Ulm, certifica che il prodotto qui di seguito indicato, nei modelli da noi commercializzati, è conforme alle direttive armonizzate UE nonché agli standard di sicurezza e agli standard specifici di prodotto. Qualunque modifica apportata al prodotto senza nostra specifica autorizzazione invalida la presente dichiarazione.</p> | | | | | | | | | | | | | | | | | | | | | | | | | | | | | | | | | | | | | |
| <p>E Declaración de conformidad de la UE El que suscribe GARDENA Manufacturing, Hans-Lorenser-Str. 40, D-89079 Ulm, declara que la presente mercancía, objeto de la presente declaración, cumple con todas las normas de la UE, en lo que a normas técnicas, de homologación y de seguridad se refiere. En caso de realizar cualquier modificación en la presente mercancía sin nuestra previa autorización, esta declaración pierde su validez.</p> | | | | | | | | | | | | | | | | | | | | | | | | | | | | | | | | | | | | | |
| <p>P Certificado de conformidad da UE Os abaixo mencionados GARDENA Manufacturing GmbH, Hans-Lorenser-Str. 40, D-89079 Ulm, por este meio certificam que ao sair da fábrica o aparelho abaixo mencionado está de acordo com as diretrizes harmonizadas da UE, padrões de segurança e de produtos específicos. Este certificado ficará nulo se a unidade for modificada sem a nossa aprovação.</p> | <p> Peter Lameli Technische Leitung Technical Dept. Manager Direction technique Hoofd technische dienst Technical Director Direzione Tecnica Dirección Técnica Director Técnico Teknisk direktør</p> | | | | | | | | | | | | | | | | | | | | | | | | | | | | | | | | | | | | |
| <p>DK EU Overensstemmelse certificat Undertegnede GARDENA Manufacturing GmbH, Hans-Lorenser-Str. 40, D-89079 Ulm bekræfter hermed, at enheder listet herunder, ved afsendelse fra fabrikken, er i overensstemmelse med harmoniserede EU retningslinier, EU sikkerhedsstandarder og produktspecifikationsstandarder. Dette certifikat træder ud af kraft hvis enhederne er ændret uden vor godkendelse.</p> | <p>Ulm, den 14.10.2005 Ulm, 14.10.2005 Fait à Ulm, le 14.10.2005 Ulm, 14-10-2005 Ulm, 2005.10.14 Ulm, 14.10.2005 Ulm, 14.10.2005 Ulm, 14.10.2005 Ulm, 14.10.2005</p> | | | | | | | | | | | | | | | | | | | | | | | | | | | | | | | | | | | | |

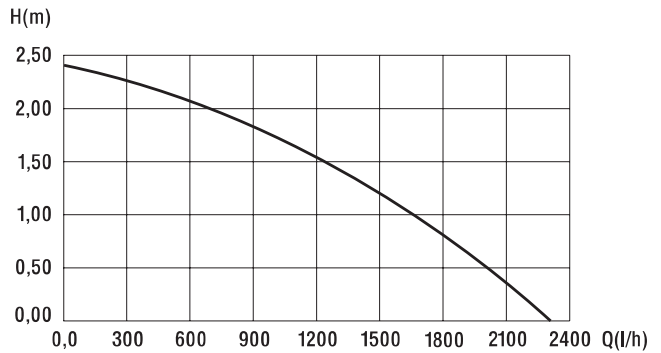
FFP 3000 Art. 7887

Pumpen-Kennlinie
Performance characteristics
Courbes de performance
Prestatiegrafiek
Kapacitetskurva
Curva di rendimento
Curva característica
de la bomba
Características
de performance
Ydelses karakteristika



FFP 5000 Art. 7888

Pumpen-Kennlinie
Performance characteristics
Courbes de performance
Prestatiegrafiek
Kapacitetskurva
Curva di rendimento
Curva característica
de la bomba
Características
de performance
Ydelses karakteristika



Deutschland / Germany

GARDENA
Manufacturing GmbH
Service Center
Hans-Lorenser-Straße 40
D-89079 Ulm
Produktfragen:
(+49) 731 490-123
Reparaturen:
(+49) 731 490-290
service@gardena.com

Argentina

Argensem® S.A.
Calle Colonia Japonesa s/n
(1625) Loma Verde
Escobar, Buenos Aires
Phone: (+54) 34 88 49 40 40
info@argensem.com.ar

Australia

Nylex Consumer Products
50-70 Stanley Drive
Somerton, Victoria, 3062
Phone: (+61) 1800 658 276
spare.parts@nylex.com.au

Austria / Österreich

GARDENA
Österreich Ges.m.b.H.
Stettnerweg 11-15
2100 Korneuburg
Tel.: (+43) 22 62 7 45 45 36
kundendienst@gardena.at

Belgium

GARDENA Belgium NV/SA
Sterrebeekstraat 163
1930 Zaventem
Phone: (+32) 2 7 20 92 12
Mail: info@gardena.be

Brazil

Palash Comércio e
Importação Ltda.
Rua Américo Brasiliense,
2414 - Chácara Sto Antonio
São Paulo - SP - Brasil -
CEP 04715-005
Phone: (+55) 11 5181-0909
eduardo@palash.com.br

Bulgaria

DENEX LTD.
2 Luis Ahalier Str. - 7th floor
Sofia 1404
Phone: (+359) 2 958 18 21
office@denex-bg.com

Canada

GARDENA Canada Ltd.
100 Summerlea Road
Brampton, Ontario L6T 4X3
Phone: (+1) 905 792 93 30
info@gardenacanada.com

Chile

Antonio Martinic y Cia Ltda.
Cassillas 272
Centro de Cassillas
Santiago de Chile
Phone: (+56) 2 20 10 708
garfar_cl@yahoo.com

Costa Rica

Compania Exim
Euroberoamericana S.A.
Los Colegios, Moravia,
200 metros al Sur del Colegio
Saint Francis - San José
Phone: (+506) 297 68 83
exim_euro@racsa.co.cr

Croatia

KLIS d.o.o.
Stanciceva 79
10419 Vukovina
Phone: (+385) 1 622 777 0
gardena@klis-trgovina.hr

Cyprus

FARMOKIPIKI LTD
P.O. Box 7098
74, Digeni Akritra Ave.
1641 Nicosia
Phone: (+357) 22 75 47 62
condam@spidernet.com.cy

Czech Republic

GARDENA spol. s r.o.
Řípská 20a, č.p. 1153
627 00 Brno
Phone: (+420) 800 100 425
gardena@gardenabmo.cz

Denmark

GARDENA Norden AB
Salgsafdeling Danmark
Box 9003
S-200 39 Malmö
info@gardena.dk

Finland

Habitec Oy
Martinkyläntie 52
01720 Vantaa

France

GARDENA
PARIS NORD 2
69, rue de la Belle Etoile
BP 57080
ROISSY EN FRANCE
95948 ROISSY CDG CEDEX
Tél. (+33) 0826 101 455
service.consommateurs@
gardena.fr

Great Britain

GARDENA UK Ltd.
27-28 Brenkley Way
Blezzard Business Park
Seaton Burn
Newcastle upon Tyne
NE13 6DS
info@gardena.co.uk

Greece

Agrokrip
Psomadopoulos S.A.
Ifaistou 33A
Industrial Area Koropi
194 00 Athens Greece
V.A.T. EL093474846
Phone: (+30) 210 66 20 225
service@agrokrip.gr

Hungary

GARDENA
Magyarország Kft.
Késmárk utca 22
1158 Budapest
Phone: (+36) 80 20 40 33
gardena@gardena.hu

Iceland

Ó. Johnson & Kaaber
Tunguhalsi 1
110 Reykjavik
oaj@ojk.is

Ireland

Michael McLoughlin & Sons
Hardware Limited
Long Mile Road
Dublin 12

Italy

GARDENA Italia S.p.A.
Via Donizetti 22
20020 Lainate (Mi)
Phone: (+39) 02.93.94.79.1
info@gardenaitalia.it

Japan

KAKUICHI Co. Ltd.
Sumitomo Realty &
Development Kojimachi
BLDG., 8F
5-1 Nibannayo, Chiyoda-ku
Tokyo 102-0084
Phone: (+81) 33 264 4721
m_ishihara@kaku-ichi.co.jp

Luxembourg

Magasins Jules Neuberg
39, rue Jacques Stas
Luxembourg-Gasperich 2549
Case Postale No. 12
Luxembourg 2010
Phone: (+352) 40 14 01
api@neuberg.lu

Netherlands

GARDENA Nederland B.V.
Postbus 50176
1305 AD ALMERE
Phone: (+31) 36 521 00 00
info@gardena.nl

Neth. Antilles

Jonka Enterprises N.V.
Sta. Rosa Weg 196
P.O. Box 8200, Curaçao
Phone: (+599) 9 767 66 55
pgm@jonka.com

New Zealand

NYLEX New Zealand Limited
Building 2, 118 Savill Drive
Mangere, Auckland
Phone: (+64) 0800 22 00 88
spare.parts@nylex.com.au

Norway

GARDENA Norden AB
Salgskontor Norge
Karihaugveien 89
1086 Oslo
info@gardena.no

Poland

GARDENA Polska Sp. z o.o.
Szymanów 9 d
05-532 Baniocha
Phone: (+48) 22 727 56 90
gardena@gardena.pl

Portugal

GARDENA Portugal Lda.
Recta da Granja do Marquês
Edif. GARDENA Algueirão
2725-596 Mem Martins
Phone: (+351) 21 922 85 30
info@gardena.pt

Romania

MADEX INTERNATIONAL SRL
Soseaua Odaii 117-123,
Sector 1,
București, RO 013603
Phone: (+40) 21 352 76 03
madex@ines.ro

Russia / Россия

ООО ГАРДЕНА РУС
123007, г. Москва
Хорошевское шоссе, д. 32А
Тел.: (+7) 495 647 25 10
info@gardena-rus.ru

Singapore

Hy - Ray PRIVATE LIMITED
40 Jalan Pemimpin
#02-08 Tat Ann Building
Singapore 577185
Phone: (+65) 6253 2277
hyray@singnet.com.sg

Slovak Republic

GARDENA Slovensko, s.r.o.
Panónska cesta 17
851 04 Bratislava
Phone: (+421) 263 453 722
info@gardena.sk

Slovenia

GARDENA d.o.o.
Brodišče 15
1236 Trzin
Phone: (+386) 1 580 93 32
servis@gardena.si

South Africa

GARDENA
South Africa (Pty.) Ltd.
P.O. Box 11534
Vorna Valley 1686
Phone: (+27) 11 315 02 23
sales@gardena.co.za

Spain

GARDENA IBÉRICA S.L.U.
C/ Basauri, nº 6
La Florida
28023 Madrid
Phone: (+34) 91 708 05 00
atencioncliente@gardena.es

Sweden

GARDENA Norden AB
Försäljningskontor Sverige
Box 9003
200 39 Malmö
info@gardena.se

Switzerland / Schweiz

GARDENA (Schweiz) AG
Bitzberg 1
8184 Bachenbülach
Phone: (+41) 848 800 464
info@gardena.ch

Turkey

GARDENA / Dost Diş Ticaret
Müessesilik A.Ş. Sanayi
Çad. Adil Sokak No. 1
Kartal - İstanbul
Phone: (+90) 216 38 93 939
info@gardena-dost.com.tr

Ukraine / Украина

ALTESTEST JSC
4 Petropavlivska Street
Petropavlivska
Borschahivka Town
Kyivo Svyatoshyn Region
08130, Ukraine
Phone: (+380) 44 459 57 03
upryr@altsest.kiev.ua

USA

Melnor Inc.
3085 Shawnee Drive
Winchester, VA 22604
Phone: (+1) 540 722-9080
service_us@melnor.com

7887-20.960.02/0607

© GARDENA

Manufacturing GmbH

D-89070 Ulm

http://www.gardena.com