

380 EC Art. 4028

D Gebrauchsanweisung

Elektro-Spindelmäher

GB Operating Instructions

Electric Cylinder Lawnmower

F Mode d'emploi

Tondeuse hélicoïdale électrique

NL Gebruiksaanwijzing

Elektrische kooimesmaaier

S Bruksanvisning

Elektrisk Gräsklippare

I Istruzioni per l'uso

Rasaprato elettrica

E Manual de instrucciones

Cortacésped con cilindro de corte eléctrico

P Instruções de utilização

Máquina de cortar relva eléctrica, com fuso

DK Brugsanvisning

Elektrisk Plæneklipper

GARDENA Electric Cylinder Lawnmower 380 EC

Welcome to the Garden of GARDENA...



Please read these operating instructions carefully and observe the notes given. Use these instructions to familiarise yourself with the electric cylinder lawnmower, its correct use and the notes on safety.



For safety reasons, children under the age of 16 as well as persons not familiar with these operating instructions should not use this electric cylinder lawnmower.

→ Please keep these operating instructions in a safe place.

Contents:

1. Where to Use Your GARDENA Cylinder Lawnmower	11
2. Safety references	11
3. Assembly	13
4. Function	13
5. Operation	14
6. Putting into Storage	15
7. Maintenance	15
8. Troubleshooting / Service	16
9. Accessories	18
10. Technical Data	18
11. Warranty	18

1. Where to Use Your GARDENA Electric Cylinder Lawnmower

Correct use:

The GARDENA Electric Cylinder Lawnmower has been designed for cutting lawn and grass areas of private houses.

Compliance with these instructions provided by GARDENA is a prerequisite for using the cylinder lawnmower correctly.

Please note:



The Electric Cylinder Lawnmower should not be used for cutting climbing plants or grass on roofs, due to the danger of bodily harm.

2. Safety references

→ Please read the notes on safety on the Electric Cylinder Lawnmower.



Warning!

→ Please read the operating instructions before using the mower!



Warning!

Sharp blades!



Danger!

Risk of injury!

→ Keep bystanders away!



→ Remove the plug from the

mains socket if the cable is cut through or damaged and / or during maintenance work.



→ **Keep the power cable away from the cutting blades.**

Check each time you use the mower:

Inspect the mower each time before you use it. Do not use the mower if the safety devices (Switch handle, cable strain relief, start button, blade cover) and/or the cutting mechanism are damaged or worn. Replace damaged or worn parts. Never disable safety devices.

Inspect the surface on which the lawn mower is to be used beforehand. Stones, pieces of wood and wires as well as other solid matter must be removed.

Objects which are contacted by the cutting tools could be thrown out uncontrollably or damage the cutting mechanism.

Proper use / Responsibility



Warning!
Take note that the rotating blade cylinder could cause injuries.

→ **Never place your hands or feet on or under moving parts.**

The safety distance between the blade cylinder and the operator that is created by the guiding spar is to be always maintained.

This electric cylinder lawnmower can cause serious injuries! You are responsible for the safety of the working area.

Do not tilt the mower on its side whilst using it. Never lift or carry the mower with the motor running.

Only use the flexible steerable mower for the purposes specified in these instructions.

Wear sturdy shoes and long trousers to protect your legs.

Make sure you always take up a safe and stable stance whilst working, especially on slopes.

Always mow across the slope, never up and down. Do not mow excessively steep slopes.

Be particularly careful if you change direction on a slope.

Be careful when going backwards.

Risk of stumbling!

Look out for foreign bodies when working (e. g. stones).

Interruptions of work:

Never leave the cylinder mower unattended. If you interrupt your work, pull out the mains plug and store the cylinder mower in a safe place.

When you interrupt work in order to go to another working area, always switch off the electric cylinder lawnmower during transport.

If, despite taking precautions, you strike an object when working or the mower starts to vibrate vigorously, release the switch handle. Pull out the mains plug.

Remove the blockage; check the mower for any damage and have it repaired if necessary.

Environmental influences:

Only work when visibility is good.

Familiarise yourself with the surroundings of your working area. Check for possible risks which might be not audible due to the noise of the machine.

Make sure that there are no other people (especially children) or animals anywhere near the working area.

However, if an obstruction arises whilst working, release the starting handle, unplug the mower from the mains and remove the obstacle. Check the mower for damage and have it repaired if necessary.

Do not use the electric cylinder lawnmower if it is raining or in moist, wet conditions.

Please observe any local restrictions or noise levels.

Electrical safety:



DANGER!
Electric shock!

The electric cylinder lawnmower must only be operated with an undamaged electric cable. If the electric cable or the extension cable is damaged disconnect the mains plug immediately.

The connection cable must be checked regularly for signs of damage and ageing (e.g. cracks).

It is essential to use the cable strain relief on the upper part of the upright.

Do not use the flexible steerable mower close to swimming pools or garden ponds.

For portable units, which are used outdoors, we recommend to use a residual-current device having a residual-current rating ≤ 30 mA. In Switzerland use of a residual-current device is obligatory.

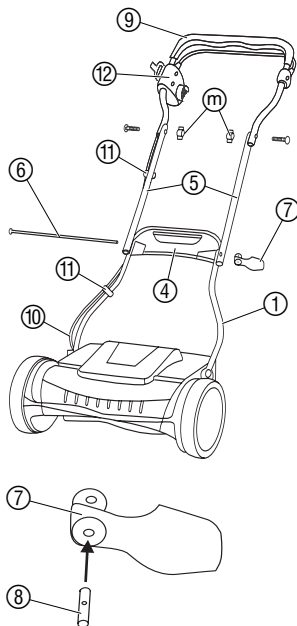
Only use extension cables authorised for outdoor use. Ask your electrician. Keep the extension cable away from the area you are cutting.

The mains voltage and the equipment voltage stated on the type plate must be the same. If extension cables are used, these must comply with the minimum cross-sections in the table below:

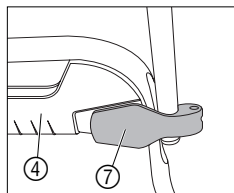
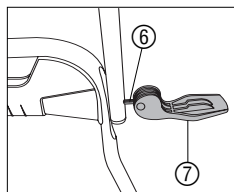
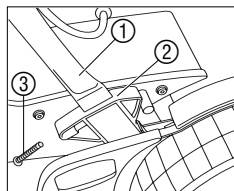
Voltage	Cable length	Cross-section
220 - 240V/ 50Hz	Up to 50 m	1.5 mm ²
220 - 240V/ 50Hz	50 - 100 m	2.5 mm ²

3. Assembly

Assembling the handle:



1. Insert lower part of bottom upright ① into upright holders ② up to stop and secure with the screws ③.
2. Push connector ④ from underneath into upper part of bottom upright ①.
3. Insert threaded rod ⑥ from left through lower parts of central upright ⑤, upper part of bottom upright ① and connector ④ right up to the stop.
4. Slide threaded bearing ⑧ into clamping lever ⑦.
5. Screw clamping lever ⑦ onto threaded rod ⑥ approx. 4 turns.
6. Move clamping lever ⑦ onto connector ④ and check whether clamping lever ⑦ locks.
7. If clamping lever ⑦ does not yet lock, screw another turn onto threaded rod ⑥. Repeat procedure until clamping lever ⑦ locks on connector ④.
8. Firmly attach bottom part of top upright ⑨ to upper parts of central upright ⑤ using 2 wing nuts ①ᵐ.



The safety starter lock ⑫ on the crossbar ⑨ must then be on the left.

9. Fix the motor cable ⑩ to the upright with the two cable clips ⑪.

4. Function

Mowing correctly:

To produce a well-maintained lawn we recommend cutting the lawn one a week if possible. The lawn becomes thicker if cut frequently.

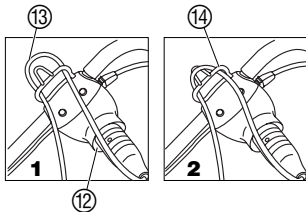
Relatively long cut grass (> 1 cm) must be removed so that the lawn does not become yellow and matted.

After relatively long intervals between mowing (**holiday lawn**), up to max. 12 cm, first of all cut in one direction with the cutting height as high as possible, then cut in the crosswise direction at the cutting height required.

If possible, only cut the grass when it is dry, if the grass is damp, the cutting pattern will be uneven.

5. Operation

Connecting to power supply:



1. Place the connector of the extension cable ⑬ on the plug of the safety starter lock ⑫.
2. Draw a loop of the extension cable ⑬ through the cable strain relief device ⑭ **1** and suspend in position **2**.
This prevents inadvertent disconnection of the plug and socket connection.
3. Insert extension cable ⑭ into a mains socket.

Starting electric cylinder lawnmower:



Danger of injury if the cylinder lawnmower does not switch off automatically!

→ Do **not** remove or bridge safety devices fitted to the cylinder lawnmower (e.g. by tying the starting lever to the upper handle)!

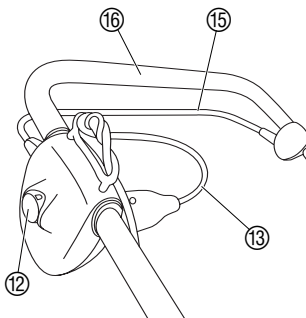


Danger! The cylinder does not stop immediately after the motor has been switched off:

→ **Never** lift, tip or carry the lawnmower with the motor running!

→ **Never** start on solid ground (e.g. asphalt).

→ **Always** maintain the safety distance between the cylinder and the user as defined by the guide handle.



1. Place cylinder lawnmower on flat grass surface.
2. Keep safety interlock ⑫ pressed down and pull starting lever ⑮ on the upper handle ③. *The lawnmower starts.*
3. Release safety interlock ⑫.
4. Only push the mower forwards and at walking pace.

When in operation, the extension cable ⑬ must always be guided in the direction you are working and to the side of the area to be worked on. Always work away from the connection cable.

Blockage Protection: If the blade cylinder is blocked, e. g. by a foreign body, release starting lever immediately, disconnect plug from mains socket and remove the blockage.



Danger of injury!

If the thermal response switch responds and the starting handle remains in the ON position, the cylinder mower starts again automatically after cooling down.

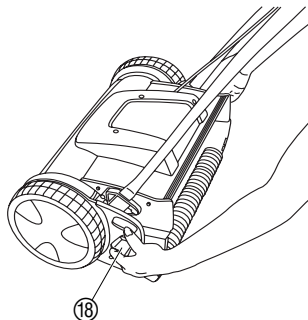
→ **Release starting lever immediately.**

Circuit Breaker: If the electric cylinder lawnmower is overloaded over a longer period of time the motor may become hot. To protect the motor from overheating the circuit breaker switches the motor off. You can switch the mower on again after approximately 5-10 minutes.

Note: The cylinder mower can be used in electric mode or as a push-lawnmower without the electric drive.

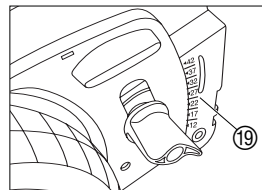
Adjusting the cutting height:

⚠ DANGER ! Cutting tool can cause injuries!
 → **When adjusting the cutting height, wait until the blade cylinder is stationary, put on suitable working gloves and unplug from the mains.**



The cutting height can be set to any position between 12 mm and 42 mm.

1. Slacken the two locking screws 18 and set to the height required on the scale 19.
2. Tighten the two locking screws 18 on both sides to the same height.



The locking screws 18 must always be set to the same height on both sides.

The mower may only be adjusted to a depth in which the lower blade does not touch the ground when it is uneven.

Mowing with the grass collection sack (accessories):

→ Suspend the grass collection sack in the cylinder mower as described in the Operating Instructions for the grass collection sack.

6. Putting into Storage

Storage:

1. Switch off the lawnmower and pull out the extension cable.
2. Clean mower before storage (see 7. Maintenance).
3. Store mower in a dry, frostproof but cool place out of reach of children.

To save space, the cylinder mower can be folded up by folding the clamping lever.

Disposal:
 (in accordance with
 RL 2002/96/EC)



The product must not be added to normal household waste. It must be disposed of in line with local environmental regulations.

7. Maintenance



DANGER! Cutting tool can cause injuries!
 → **Before maintenance, wait until the cutting tool is stationary, wear suitable work gloves and pull out the mains plug.**



DANGER! Injury to persons and damage to property!
 → **Do not clean mower under running water (especially at high pressure).**

Cleaning the mower:

Deposits affect the cutting result as well as discharge of grass clippings. Residual dirt and grass is easily removed immediately after mowing.

1. Remove grass deposits with a brush and a cloth.
2. Oil the red cutting mechanism lightly with thin oil (e.g. sprayed oil).

8. Troubleshooting / Service



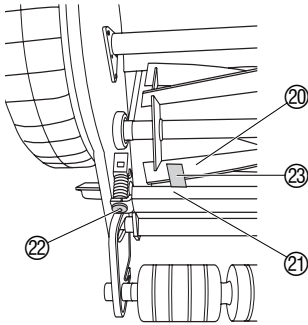
DANGER! Cutting tool can cause injuries!

→ Before rectifying faults, wait for the cutting tool to stop, wear suitable work gloves and pull out the mains plug.

Problem	Possible cause	Remedy
Abnormal noise, Clattering in the mower	Screws / components loose.	→ Tighten screws or send to GARDENA Service.
	Foreign bodies on the blade.	→ Remove foreign bodies.
	Notch in the blade.	→ Remove notches with grindstone.
	Blades are striking each other too hard.	→ Adjust cutting mechanism.
Motor will not start	Power cable faulty.	→ Unplug from mains and check power cable.
	Fuse / fault current circuit-breaker has responded.	Check power cable and replace fuse / switch fault current circuit breaker on again.
	Extension cable may not have a large enough cross-section.	→ Use extension cable with cross-section complying with table (2. Safety references).
	Circuit breaker has been triggered.	→ Wait approx. 5-10 minutes then turn on the mower again.
Motor jams and is noisy	Blocked by foreign body. Blocking protection activated.	1. Release starting handle. 2. Unplug mains plug at the socket. 3. Remove foreign body.
	Cutting load too high.	→ Reduce mowing speed and / or raise cutting height.
Motor turns off	The cutting height you have selected is too low; Circuit breaker has been activated.	Let the motor cool for 5-10 minutes, then use the mower with a higher cutting height and reduce the cutting height and the mowing speed in stages.
Runs unevenly, mower vibrates significantly	Cutting tool damaged.	→ Have cutting tool checked by an authorised specialist dealer or GARDENA-Service.
	Blade very dirty.	→ Clean blade.

Problem	Possible cause	Remedy
Lawn cut unevenly	Blade set incorrectly.	→ Adjust cutting mechanism.
	Cutting mechanism blunt.	Recommendation: → Have cutting mechanism reground or replaced by GARDENA Service.
	Lawn too long / too wet.	→ See 4. Function "Mowing Tips".

Adjusting the cutting mechanism:



The cutting gear of your lawn mower was optimally adjusted before leaving our company. If, after longer use, a clean cut of the grass is no longer possible or the blade roller contacts the lower blade, then the lower blade should be adjusted.

1. Remove the plug from the mains socket.
2. Check cylinder ⑳ and lower blade ㉑ for notches and remove these with a grindstone if necessary.
3. Unscrew internal hexagon screws ㉒ with an internal hexagon wrench (5 mm) anticlockwise until the cylinder ㉒ turns freely.
4. Push the feeler gauge supplied (thin strip of metal) ㉓ on the left side between one blade ㉒ on the cylinder and the lower blade ㉑.
5. Tighten left internal hexagon screw ㉒ with an internal hexagon wrench (5 mm) until the feeler gauge ㉓ is held gently.
6. Continue turning the cylinder until the blade ㉒, already adjusted on the left side, is exactly above the lower blade ㉑ on the right side.
7. Tighten the right internal hexagon screw ㉒ with an internal hexagon wrench (5 mm) until the feeler gauge ㉓ is held gently.
8. Rotate cylinder ㉒. If a banging noise is produced during this, open up the internal hexagon screw ㉒ slightly on the side affected.

When the cylinder and the lower blade can hardly be heard touching each other, the cutting mechanism has been adjusted correctly.

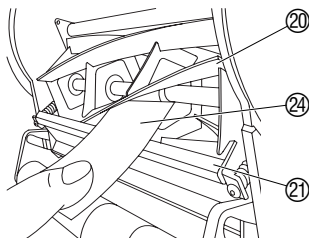
9. Cutting test:

Place a strip of paper ㉔ in such a way on the lower blade ㉑ that it points towards the spindle of the cylinder ㉒.

10. Turn cylinder ㉒ carefully.

If the lower blade is set correctly ㉑ the paper will be cut off as if with scissors.

11. Repeat the cutting test on the other blades ㉒.



Repairs:



On safety grounds, only original GARDENA spares may be used.

Please contact GARDENA Service if it is necessary to replace the cutting tool, which will only become blunt after several years use if well-maintained.

Have the cylinder mower checked over in the autumn if possible so that it is ready for use immediately when the next lawn-mowing season starts.

If you have any problem with your cylinder mower, please contact our Customer Service.

9. Accessories

GARDENA Grass collecting bag

Saves raking up the cut grass.

Art. No. 4029

10. Technical Data

380 EC (Art. 4028)	
Power rating	400 W
Voltage / Frequency	230 V / 50 Hz
Cutting width / Cutting height	38 cm / 12 – 42 mm
Cutting height adjustment	infinitely variable
Weight	12 kg
Working area related emission characteristic value L_{pA} 1)	77 dB (A)
Noise level L_{WA} 2)	measured 91 dB (A) / guaranteed 92 dB (A)
Vibrations a_{vhw} 1)	< 2,5 m/s ²

Measuring method 1) EN 836 2) RL 2000/14/EG

11. Warranty

GARDENA guarantees this product for 2 years (starting from the date of purchase). This guarantee covers all serious defects of the unit that can be proved to be material or manufacturing faults. Under warranty we will either replace the unit or repair it free of charge if the following conditions apply:

- The unit must have been handled properly and in keeping with the requirements of the operating instructions.
- Neither the purchaser or a non-authorised third party have attempted to repair the unit.

The wearing parts blade cylinder (complete) and lower blade are excluded from the warranty.

This manufacturer's guarantee does not affect the user's existing warranty claims against the dealer/seller.

If a fault occurs with your Electric Cylinder Lawnmower, please return the faulty unit together with a copy of the receipt and a description of the fault, with postage paid to one of the GARDENA Service Centres listed on the back of these operating instructions.

<p>D <i>Produkthftung</i></p>	<p>Wir weisen ausdrücklich darauf hin, dass wir nach dem Produkthaftungsgesetz nicht für durch unsere Geräte hervorgerufene Schäden einzustehen haben, sofern diese durch unsachgemäße Reparatur verursacht oder bei einem Teileaustausch nicht unsere Original GARDENA Teile oder von uns freigegebene Teile verwendet werden und die Reparatur nicht vom GARDENA Service oder dem autorisierten Fachmann durchgeführt wird. Entsprechendes gilt für Ergänzungssteile und Zubehör.</p>
<p>GB <i>Product Liability</i></p>	<p>We expressly point out that, in accordance with the product liability law, we are not liable for any damage caused by our units if it is due to improper repair or if parts exchanged are not original GARDENA parts or parts approved by us, and, if the repairs were not carried out by a GARDENA Service Centre or an authorised specialist. The same applies to spare parts and accessories.</p>
<p>F <i>Responsabilité</i></p>	<p>Nous vous signalons expressément que GARDENA n'est pas responsable des dommages causés par ses appareils, dans la mesure où ces dommages seraient causés suite à une réparation non conforme, dans la mesure où, lors d'un échange de pièces, les pièces d'origine GARDENA n'auraient pas été utilisées, ou si la réparation n'a pas été effectuée par le Service Après-Vente GARDENA ou l'un des Centres SAV agréés GARDENA. Ceci est également valable pour tout ajout de pièces et d'accessoires autres que ceux préconisés par GARDENA.</p>
<p>NL <i>Productaansprakelijkheid</i></p>	<p>Wij wijzen er nadrukkelijk op, dat wij op grond van de wet aansprakelijkheid voor producten niet aansprakelijk zijn voor schade ontstaan door onze apparaten, indien deze door onvakkundige reparatie veroorzaakt zijn, of er bij het uitwisselen van onderdelen geen gebruik gemaakt werd van onze originele GARDENA onderdelen of door ons vrijgegeven onderdelen en de reparatie niet door de GARDENA technische dienst of de bevoegde vakman uitgevoerd werd. Ditzelfde geldt voor extra-onderdelen en accessoires.</p>
<p>S <i>Produktansvar</i></p>	<p>Tillverkaren är inte ansvarig för skada som orsakats av produkten om skadan beror på att produkten har reparerats felaktigt eller om, vid reparation eller utbyte, andra än Original GARDENA reservdelar har använts. Samma sak gäller för kompletteringsdelar och tillbehör.</p>
<p>I <i>Responsabilità del prodotto</i></p>	<p>Si rende espressamente noto che, conformemente alla legislazione sulla responsabilità del prodotto, non si risponde di danni causati da nostri articoli se originati da riparazioni eseguite non correttamente o da sostituzioni di parti effettuate con materiale non originale GARDENA o comunque da noi non approvato e, in ogni caso, qualora l'intervento non venga eseguito da un centro assistenza GARDENA o da personale specializzato autorizzato. Lo stesso vale per le parti complementari e gli accessori.</p>
<p>E <i>Responsabilidad de productos</i></p>	<p>Advertimos que conforme a la ley de responsabilidad de productos no nos responsabilizamos de daños causados por nuestros aparatos, siempre y cuando dichos daños hayan sido originados por arreglos o reparaciones indebidas, por recambios con piezas que no sean piezas originales GARDENA o bien piezas autorizadas por nosotros, así como en aquellos casos en que la reparación no haya sido efectuada por un Servicio Técnico GARDENA o por un técnico autorizado. Lo mismo es aplicable para las piezas complementarias y accesorios.</p>
<p>P <i>Responsabilidade sobre o produto</i></p>	<p>Queremos salientar que segundo a lei da responsabilidade do fabricante, nós não nos responsabilizaremos por danos causados pelo nosso equipamento, quando estes ocorram em decorrência de reparações inadequadas ou da substituição de peças por peças não originais da GARDENA, ou peças não autorizadas. A responsabilidade tornar-se-à nula também depois de reparações realizadas por oficinas não autorizadas pela GARDENA. Esta restrição valerá também para peças adicionais e acessórios.</p>
<p>DK <i>Produktansvar</i></p>	<p>Vi gør udtrykkeligt opmærksom på at i henhold til produktansvarsloven er vi ikke ansvarlige for skader forårsaget af vores udstyr, hvis det skyldes uautoriserede reparationer eller hvis dele er skiftet ud og der ikke er anvendt originale GARDENA dele eller dele godkendt af os, eller hvis reparationerne ikke er udført af GARDENA-service eller en autoriseret fagmand. Det samme gælder for ekstra udstyr og tilbehør.</p>

<p>D EU-Konformitätserklärung Maschinenverordnung (9. GSGVO) / EMVG / Niedersp. RL Der Unterzeichnete GARDENA Manufacturing GmbH, Hans-Lorenser-Str. 40, D-89079 Ulm, bestätigt, dass die nachfolgend bezeichneten Geräte in der von uns in Verkehr gebrachten Ausführung die Anforderungen der harmonisierten EU-Richtlinien, EU-Sicherheitsstandards und produktspezifischen Standards erfüllen. Bei einer nicht mit uns abgestimmten Änderung der Geräte verliert diese Erklärung ihre Gültigkeit.</p>	Bezeichnung des Gerätes: Elektro-Spindelmäher Description of the unit: Electric Cylinder Lawnmower Désignation du matériel : Tondeuse hélicoïdale électrique Omschrijving van het apparaat: Elektrische kooimesmaaier Produktbeskrivning: Elektrisk Cylinderklippare Descrizione del prodotto: Rasapratto elettrica Descripción de la mercancía: Cortacésped Descrição do aparelho: Máquina de cortar relva eléctrica Beskrivelse af enhederne: Elektrisk plæneklipper
<p>GB EU Certificate of Conformity The undersigned GARDENA Manufacturing GmbH, Hans-Lorenser-Str. 40, D-89079 Ulm, hereby certifies that, when leaving our factory, the units indicated below are in accordance with the harmonised EU guidelines, EU standards of safety and product specific standards. This certificate becomes void if the units are modified without our approval.</p>	Type: Art.-Nr.: Type: Art. No.: Type : Référence : Type: 380 EC Type: Art. nr.: 4028 Modello: Art. nr.: Tipo: Art. Nº: Tipo: Art. Nº: Type: Varenr. :
<p>F Certificat de conformité aux directives européennes Le constructeur, soussigné : GARDENA Manufacturing GmbH, Hans-Lorenser-Str. 40, D-89079 Ulm, déclare qu'à la sortie de ses usines le matériel neuf désigné ci-dessous était conforme aux prescriptions des directives européennes énoncées ci-après et conforme aux règles de sécurité et autres règles qui lui sont applicables dans le cadre de l'Union européenne. Toute modification portée sur ce produit sans l'accord express de GARDENA supprime la validité de ce certificat.</p>	EU-Richtlinien : Harmonisierte EN: EU directives: 98/37/EC EN ISO 12100-1 Directives européennes : 89/336/EC EN ISO 12100-2 EU-richtlijnen: 2006/95/EC EN 836 EU direktiv: 93/68/EC EN 60335-1 Direttive UE: 2000/14/EC EN 60335-2-77 Normativa UE: 2000/14/EC EN 60335-2-77 Directrizas da UE: 2000/14/EC ISO 4871 EU Retningslinier:
<p>NL EU-overeenstemmingsverklaring Ondergetekende GARDENA Manufacturing, Hans-Lorenser-Str. 40, D-89079 Ulm, bevestigt, dat de volgende genoemde apparaten in de door ons in de handel gebrachte uitvoering voldoen aan de eis van, en in overeenstemming zijn met de EU-richtlijnen, de EU-veiligheidsstandaard en de voor het product specifieke standaard. Bij een niet met ons afgestemde verandering aan de apparaten verliest deze verklaring haar geldigheid.</p>	Hinterlegte Dokumentation: GARDENA Technische Dokumentation Nach 2000/14/EG Art. 14 Anhang VI Konformitätsbewertungsverfahren: Deposited Documentation: GARDENA Technical Documentation according to 2000/14/EC Conformity Assessment Procedure: Art. 14 Annex VI Documentation déposée : Documentation technique GARDENA Procédure d'évaluation de la conformité : Selon 2000/14/CE art. 14 Annexe VI
<p>S EU Tillverkarintyg Undertecknad firma GARDENA Manufacturing GmbH, Hans-Lorenser-Str. 40, D-89079 Ulm, intygar härmed att nedan nämnda produkter överensstämmer med EU:s direktiv, EU:s säkerhetsstandard och produktspecifikation. Detta intyg upphör att gälla om produkten ändras utan vårt tillstånd.</p>	Schall-Leistungspegel: gemessen / garantiert Noise level: measured / guaranteed Puissance acoustique : mesurée / garantie Geluidsniveau: gemeten / gegarandeerd Ljudnivå: uppmätt / garanterad Livello rumorosità: testato / garantito Nível sonoro: medido / garantizado Nível de ruído: medido / garantido Lydnivåsniveau: afmålt / garanti 91 dB (A) / 92 dB (A)
<p>I Dichiarazione di conformità alle norme UE La sottoscritta GARDENA Manufacturing GmbH, Hans-Lorenser-Str. 40, D-89079 Ulm, certifica che il prodotto qui di seguito indicato, nei modelli da noi commercializzati, è conforme alle direttive armonizzate UE nonché agli standard di sicurezza e agli standard specifici di prodotto. Qualunque modifica apportata al prodotto senza nostra specifica autorizzazione invalida la presente dichiarazione.</p>	Anbringningsjahr der CE-Kennzeichnung: Year of CE marking: Date d'apposition du marquage CE : Installatiejaar van de CE-aanduiding: 2004 CE-Mærkningsår: Anno di rilascio della certificazione CE: Colocación del distintivo CE: Ano de marcação pela CE: CE-Mærkningsår:
<p>E Declaración de conformidad de la UE El que suscribe GARDENA Manufacturing, Hans-Lorenser-Str. 40, D-89079 Ulm, declara que la presente mercancía, objeto de la presente declaración, cumple con todas las normas de la UE, en lo que a normas técnicas, de homologación y de seguridad se refiere. En caso de realizar cualquier modificación en la presente mercancía sin nuestra previa autorización, esta declaración pierde su validez.</p>	
<p>P Certificado de conformidad da UE Os abaixo mencionados GARDENA Manufacturing GmbH, Hans-Lorenser-Str. 40, D-89079 Ulm, por este meio certificam que ao sair da fábrica o aparelho abaixo mencionado está de acordo com as diretrizes harmonizadas da UE, padrões de segurança e de produtos específicos. Este certificado ficará nulo se a unidade for modificada sem a nossa aprovação.</p>	 Peter Lameli Technische Leitung Technical Dept. Manager Direction technique Hoofd technische dienst Technical Director Direzione Tecnica Dirección Técnica Diretor Técnico Teknik direktör
<p>DK EU Overensstemmelse certifikat Undertegnede GARDENA Manufacturing GmbH, Hans-Lorenser-Str. 40, D-89079 Ulm bekræfter hermed, at enheder listet herunder, ved afsendelse fra fabrikken, er i overensstemmelse med harmoniserede EU retningslinier, EU sikkerhedsstandarder og produktspecifikationsstandarder. Dette certifikat træder ud af kraft hvis enhederne er ændret uden vor godkendelse.</p>	Ulm, den 01.08.2004 Ulm, 01.08.2004 Fait à Ulm, le 01.08.2004 Ulm, 01-08-2004 Ulm, 2004.08.01. Ulm, 01.08.2004 Ulm, 01.08.2004 Ulm, 01.08.2004 Ulm, 01.08.2004 Ulm, 01.08.2004

Deutschland / Germany

GARDENA
Manufacturing GmbH
Service Center
Hans-Lorenser-Straße 40
D-89079 Ulm
Produktfragen:
(+49) 731 490-123
Reparaturen:
(+49) 731 490-290
service@gardena.com

Argentina

Argensem® S.A.
Calle Colonia Japonesa s/n
(1625) Loma Verde
Escobar, Buenos Aires
Phone: (+54) 34 88 49 40 40
info@argensem.com.ar

Australia

Nylex Consumer Products
50-70 Stanley Drive
Somerton, Victoria, 3062
Phone: (+61) 1800 658 276
spare.parts@nylex.com.au

Austria / Österreich

GARDENA
Österreich Ges.m.b.H.
Stettnerweg 11-15
2100 Korneuburg
Tel.: (+43) 22 62 7 45 45 36
kundendienst@gardena.at

Belgium

GARDENA Belgium NV/SA
Sterrebeekstraat 163
1930 Zaventem
Phone: (+32) 2 7 20 92 12
Mail: info@gardena.be

Brazil

Palash Comércio e
Importação Ltda.
Rua Américo Brasiliense,
2414 - Chácara Sto Antonio
São Paulo - SP - Brasil -
CEP 04715-005
Phone: (+55) 11 5181-0909
eduardo@palash.com.br

Bulgaria

DENEX LTD.
2 Luis Ahalier Str. - 7th floor
Sofia 1404
Phone: (+359) 2 958 18 21
office@denex-bg.com

Canada

GARDENA Canada Ltd.
100 Summerlea Road
Brampton, Ontario L6T 4X3
Phone: (+1) 905 792 93 30
info@gardenacanada.com

Chile

Antonio Martinic y Cia Ltda.
Cassillas 272
Centro de Cassillas
Santiago de Chile
Phone: (+56) 2 20 10 708
garfar_cl@yahoo.com

Costa Rica

Compania Exim
Euroberoamericana S.A.
Los Colegios, Moravia,
200 metros al Sur del Colegio
Saint Francis - San José
Phone: (+506) 297 68 83
exim_euro@racsa.co.cr

Croatia

KLIS d.o.o.
Stanciceva 79
10419 Vukovina
Phone: (+385) 1 622 777 0
gardena@klis-trgovina.hr

Cyprus

FARMOKIPIKI LTD
P.O. Box 7098
74, Digeni Akritra Ave.
1641 Nicosia
Phone: (+357) 22 75 47 62
condam@spidernet.com.cy

Czech Republic

GARDENA spol. s r.o.
Řípská 20a, č.p. 1153
627 00 Brno
Phone: (+420) 800 100 425
gardena@gardenabrn.cz

Denmark

GARDENA Norden AB
Salgsafdeling Danmark
Box 9003
S-200 39 Malmö
info@gardena.dk

Finland

Habitec Oy
Martinkyläntie 52
01720 Vantaa

France

GARDENA
PARIS NORD 2
69, rue de la Belle Etoile
BP 57080
ROISSY EN FRANCE
95948 ROISSY CDG CEDEX
Tél. (+33) 0826 101 455
service.consommateurs@
gardena.fr

Great Britain

GARDENA UK Ltd.
27-28 Brenkley Way
Blezzard Business Park
Seaton Burn
Newcastle upon Tyne
NE13 6DS
info@gardena.co.uk

Greece

Agrokrip
Psomadopoulos S.A.
Ifaistou 33A
Industrial Area Koropi
194 00 Athens Greece
V.A.T. EL093474846
Phone: (+30) 210 66 20 225
service@agrokrip.gr

Hungary

GARDENA
Magyarország Kft.
Késmárk utca 22
1158 Budapest
Phone: (+36) 80 20 40 33
gardena@gardena.hu

Iceland

Ó. Johnson & Kaaber
Tunguhalsi 1
110 Reykjavik
oaj@ojk.is

Ireland

Michael McLoughlin & Sons
Hardware Limited
Long Mile Road
Dublin 12

Italy

GARDENA Italia S.p.A.
Via Donizetti 22
20020 Lainate (Mi)
Phone: (+39) 02.93.94.71
info@gardenaitalia.it

Japan

KAKUICHI Co. Ltd.
Sumitomo Realty &
Development Kojimachi
BLDG., 8F
5-1 Nibannayo, Chiyoda-ku
Tokyo 102-0084
Phone: (+81) 33 264 4721
m_ishihara@kaku-ichi.co.jp

Luxembourg

Magasins Jules Neuberg
39, rue Jacques Stas
Luxembourg-Gasperich 2549
Case Postale No. 12
Luxembourg 2010
Phone: (+352) 40 14 01
api@neuberg.lu

Netherlands

GARDENA Nederland B.V.
Postbus 50176
1305 AD ALMERE
Phone: (+31) 36 521 00 00
info@gardena.nl

Neth. Antilles

Jonka Enterprises N.V.
Sta. Rosa Weg 196
P.O. Box 8200, Curaçao
Phone: (+599) 9 767 66 55
pgm@jonka.com

New Zealand

NYLEX New Zealand Limited
Building 2, 118 Savill Drive
Mangere, Auckland
Phone: (+64) 9 270 1806
lena.chapman@nylex.com.au

Norway

GARDENA Norden AB
Salgskontor Norge
Karihaugveien 89
1086 Oslo
info@gardena.no

Poland

GARDENA Polska Sp. z o.o.
Szymanów 9 d
05-532 Baniocza
Phone: (+48) 22 727 56 90
gardena@gardena.pl

Portugal

GARDENA Portugal Lda.
Recta da Granja do Marquês
Edif. GARDENA Algueirão
2725-596 Mem Martins
Phone: (+351) 21 922 85 30
info@gardena.pt

Romania

MADEX INTERNATIONAL SRL
Soseaua Odaii 117-123,
Sector 1,
București, RO 013603
Phone: (+40) 21 352 76 03
madex@ines.ro

Russia / Россия

ООО ГАРДЕНА РУС
123007, г. Москва
Хорошевское шоссе, д. 32А
Тел.: (+7) 495 647 25 10
info@gardena-rus.ru

Singapore

Hy - Ray PRIVATE LIMITED
40 Jalan Pemimpin
#02-08 Tat Ann Building
Singapore 577185
Phone: (+65) 6253 2277
hyray@singnet.com.sg

Slovak Republic

GARDENA Slovensko, s.r.o.
Panónska cesta 17
851 04 Bratislava
Phone: (+421) 263 453 722
info@gardena.sk

Slovenia

GARDENA d.o.o.
Brodišče 15
1236 Trzin
Phone: (+386) 1 580 93 32
servis@gardena.si

South Africa

GARDENA
South Africa (Pty.) Ltd.
P.O. Box 11534
Vorna Valley 1686
Phone: (+27) 11 315 02 23
sales@gardena.co.za

Spain

GARDENA IBÉRICA S.L.U.
C/ Basauri, nº 6
La Florida
28023 Madrid
Phone: (+34) 91 708 05 00
atencioncliente@gardena.es

Sweden

GARDENA Norden AB
Försäljningskontor Sverige
Box 9003
200 39 Malmö
info@gardena.se

Switzerland / Schweiz

GARDENA (Schweiz) AG
Bitzberg 1
8184 Bachenbülach
Phone: (+41) 848 800 464
info@gardena.ch

Turkey

GARDENA / Dost Diş Ticaret
Müessesilik A.Ş. Sanayi
Çad. Adil Sokak No. 1
Kartal - İstanbul
Phone: (+90) 216 38 93 939
info@gardena-dost.com.tr

Ukraine / Украина

ALTSEST JSC
4 Petropavlivska Street
Petropavlivska
Borschahivka Town
Kyivo Svyatoslyn Region
08130, Ukraine
Phone: (+380) 44 459 57 03
upryr@altsest.kiev.ua

USA

Melnor Inc.
3085 Shawnee Drive
Winchester, VA 22604
Phone: (+1) 540 722-9080
service_us@melnor.com

4028-20.960.04 / 0307

© GARDENA

Manufacturing GmbH
D-89070 Ulm

http://www.gardena.com