

D Montage- und Gebrauchsanweisung
Regen-Sammelfilter

GB Installation and Operating Instructions
Rain Water Collection Filter

F Montage et Mode d'emploi
Récupérateur-filtre pour eau de pluie

NL Montage- en Gebruiksaanwijzing
Regenopvangfilter

S Monterings- och bruksanvisning
Regnvattenfilter

I Istruzioni per l'uso
Filtro deviatore per pluviale

E Instrucciones para el montaje y uso
Filtro colector de aguas pluviales

P Instruções de uso e montagem
Filtro de colheita de águas pluviais

D

Bitte lesen Sie die Anweisung zur Montage und Handhabung Ihres Regen-Sammelfilters sorgfältig und beachten Sie deren Hinweise. Beim Lesen bitte die Umschlagseiten mit den Abbildungen herausklappen.

Inhaltsverzeichnis	Seite
1. Technische Angaben / Einsatz	8
2. Montageanweisung	8
3. Filterreinigung	9
4. Abstellen des Wasserzulaufes	9
5. Integrierte Überlaufsicberung	10
Garantie	30

GB

Please read these notes on installing and handling your Rain Water Collection Filter carefully and follow the given instructions. Unfold inside cover pages to read the operating instructions.

Contents	Page
1. Technical data / Use	11
2. Installation instructions	11
3. Cleaning the filter	12
4. Shutting off the collection of water	12
5. Integrated overflow	12
Guarantee	30

F

Nous vous remercions de bien vouloir lire attentivement les instructions de montage avant de monter et d'utiliser votre récupérateur-filtre pour eau de pluie. Pour une meilleure compréhension, dépliez les volets de la couverture de manière à faire apparaître les schémas de montage.

Contenu	Page
1. Données techniques et domaine d'utilisation	14
2. Instructions de montage	14
3. Nettoyage du filtre	15
4. Arrêt de l'écoulement d'eau	15
5. Trop-plein intégré	15
Garantie	30

NL

Lees de aanwijzingen voor montage en onderhoud van het regenopvangfilter zorgvuldig door en let op de aanwijzingen daarin. Bij het lezen van de gebruiksaanwijzing de bladzijden met de afbeeldingen openslaan.

Inhoudsopgave	Pagina
1. Technische gegevens / Gebruik	16
2. Montagehandleiding	16
3. Filterreiniging	17
4. Blokkeren van de watertoevoer	17
5. Geïntegreerde overloopbeveiliging	17
Garantie	30

S

Läs noggrant igenom anvisningarna för montering och hantering av Ditt regnvattenfilter och följ upplysningarna. Ha omslaget utvik när Du läser bruksanvisningen.

Innehåll	Sida
1. Tekniska uppgifter / Användning	19
2. Monteringsanvisning	19
3. Rengöring av filter	20
4. Avstängning av vattentillförseln	20
5. Inbyggd översvämningsskran	20
Garanti	30

I

Prima di mettere in uso il filtro deviatore per pluviale, leggere attentamente le istruzioni tenendo aperto il pieghevole per avere sott'occhio i disegni esplicativi.

Indice	pagina
1. Note introduttive	21
2. Montaggio	21
3. Pulizia filtro	22
4. Disattivazione	22
5. Suggerimenti pratici	22
Garanzia	31

E

Por favor, lea detenidamente las instrucciones para el montaje y uso del filtro colector de aguas pluviales y observe las indicaciones contenidas en las mismas. Para facilitar la lectura, desdoble la cubierta.

Índice	Página
1. Datos técnicos / Montaje	24
2. Instrucciones para el montaje	24
3. Limpieza del filtro	25
4. Cierre de la entrada de aguas pluviales	25
5. Dispositivo de seguridad de rebasamiento integrado	25
Garantía	31

P

Por favor, leia atentamente estas instruções de montagem e de manejo do seu filtro de colheita de águas pluviais, observando todas as informações aqui contidas. Desdobre as páginas na capa interior para ler as instruções de manejo.

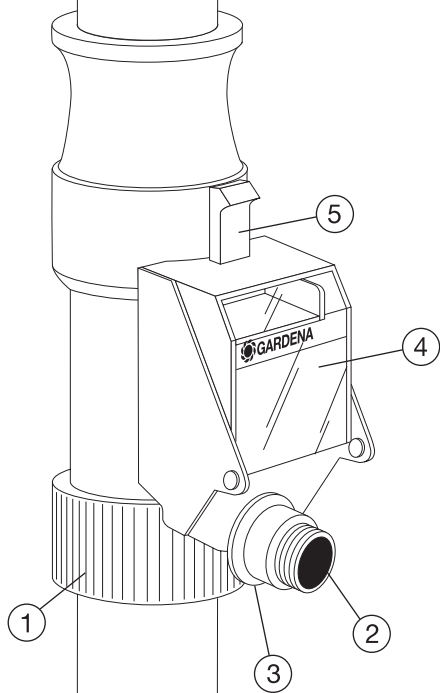
Conteúdo	Página
1. Especificações técnicas / Emprego	27
2. Instruções de montagem	27
3. Limpeza do filtro	28
4. Fechamento da entrada de água	28
5. Protecção integrada contra transbordo	29
Garantia	31



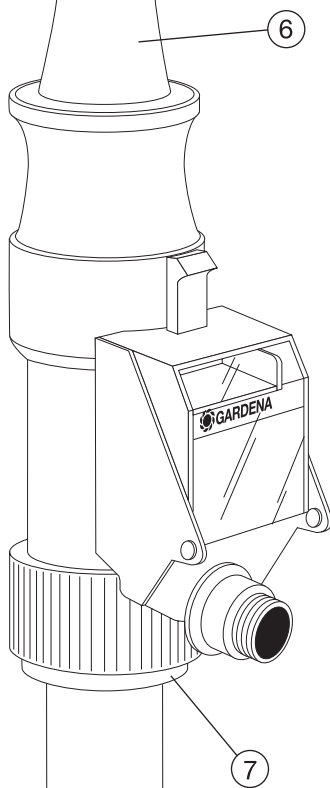
Montagehilfe
Installation aid
Gabarit de montage
Montagehulp
Monteringshjälp
Sagoma da ritagliare
Plantilla de ayuda
Molde de montagem

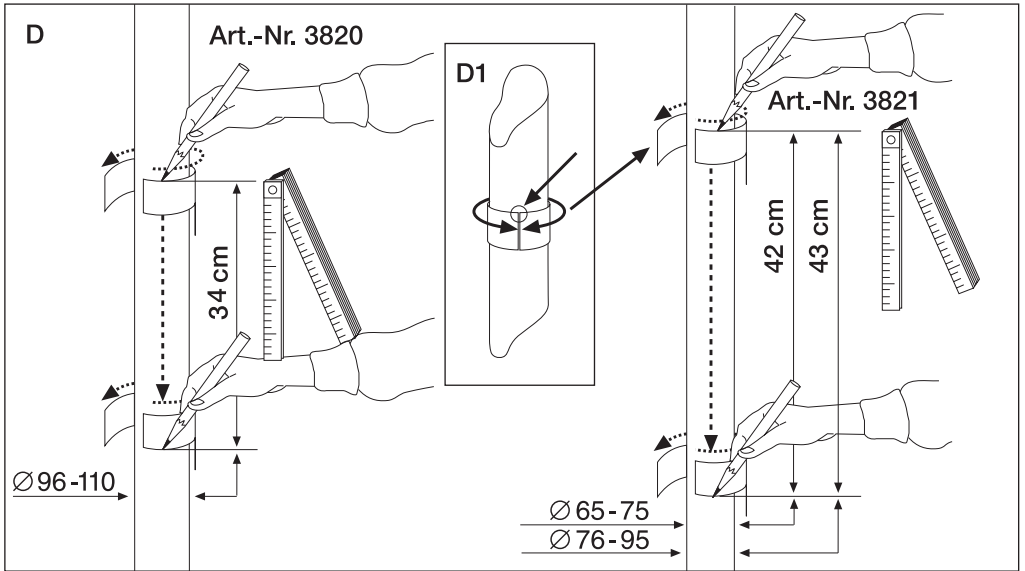
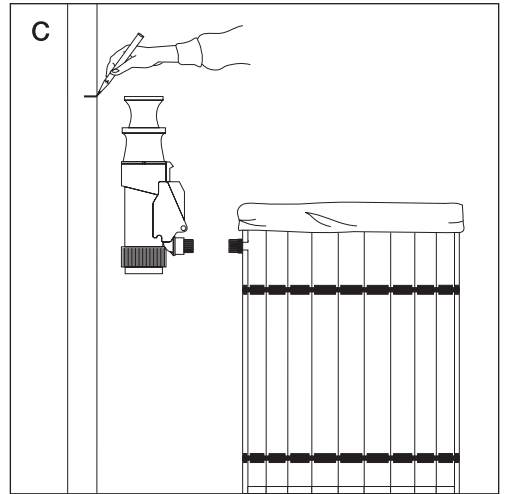
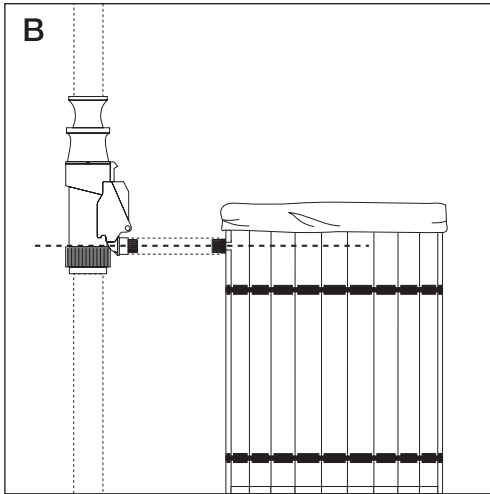
A

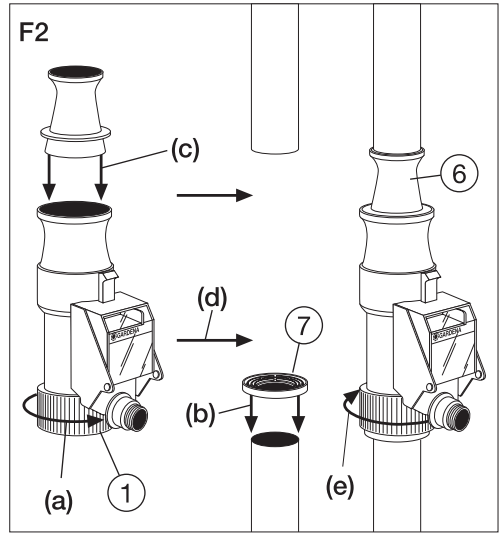
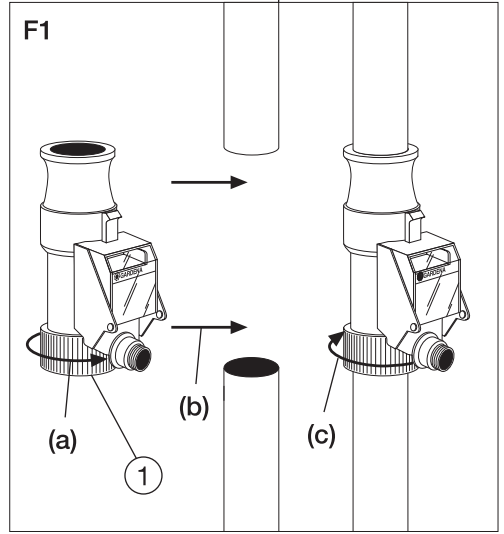
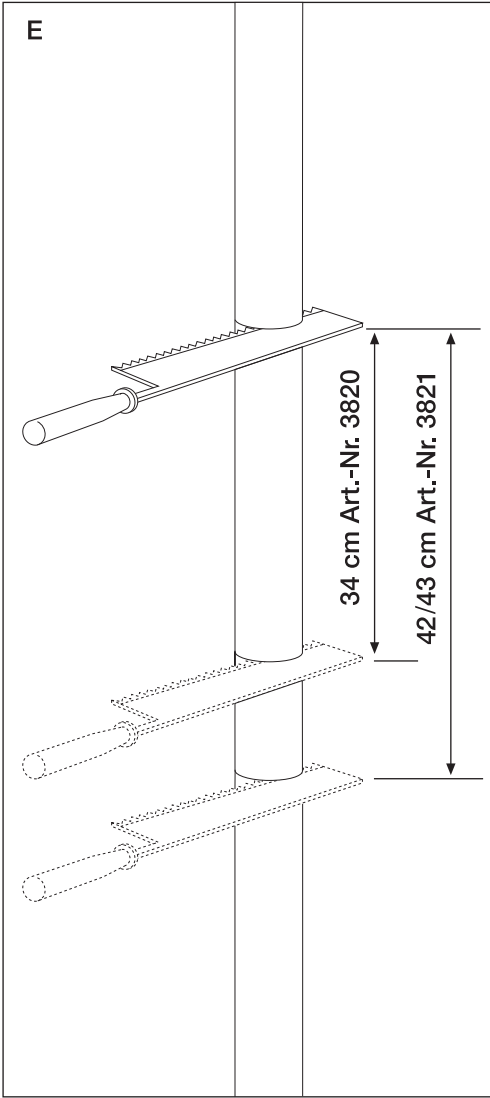
3820

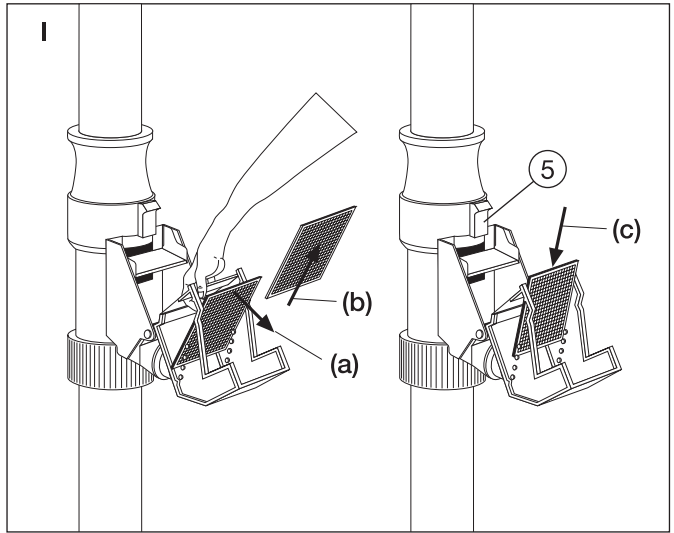
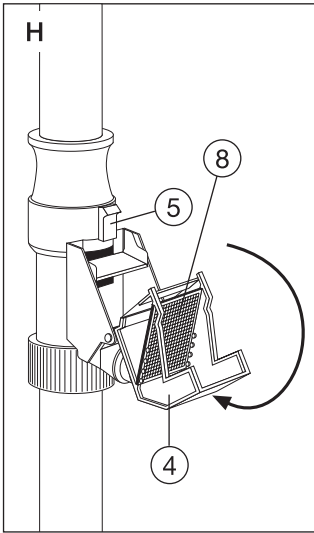
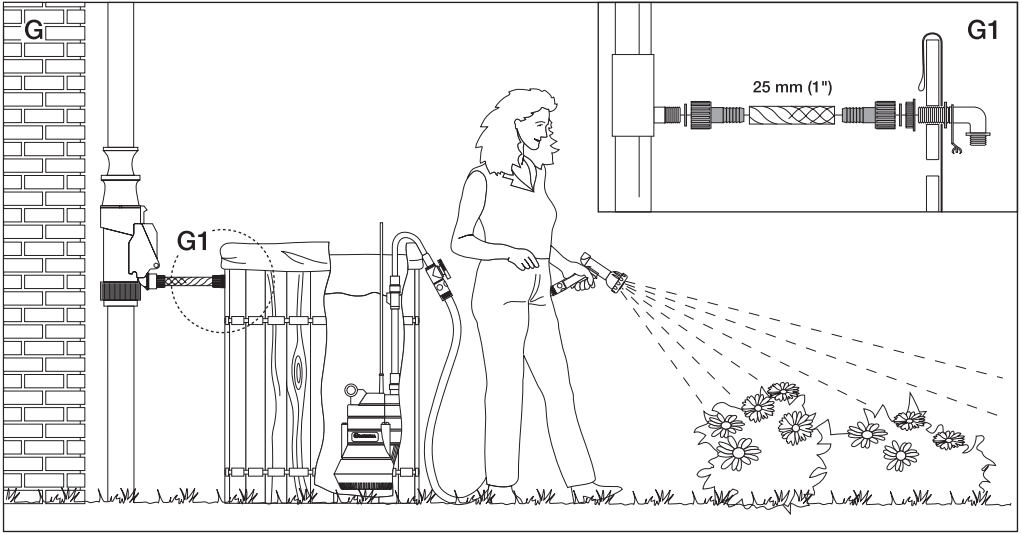


3821

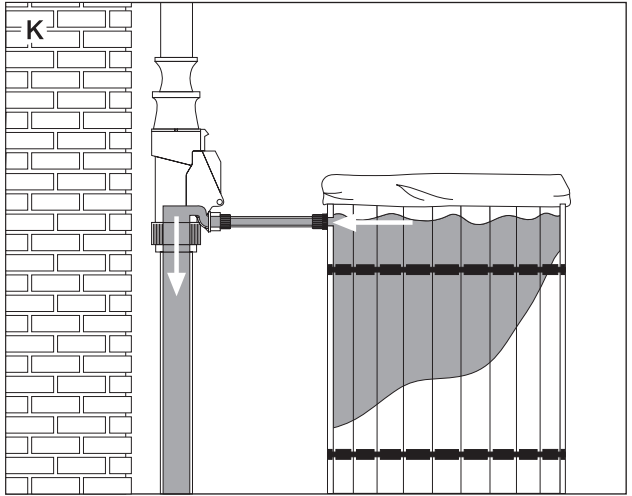
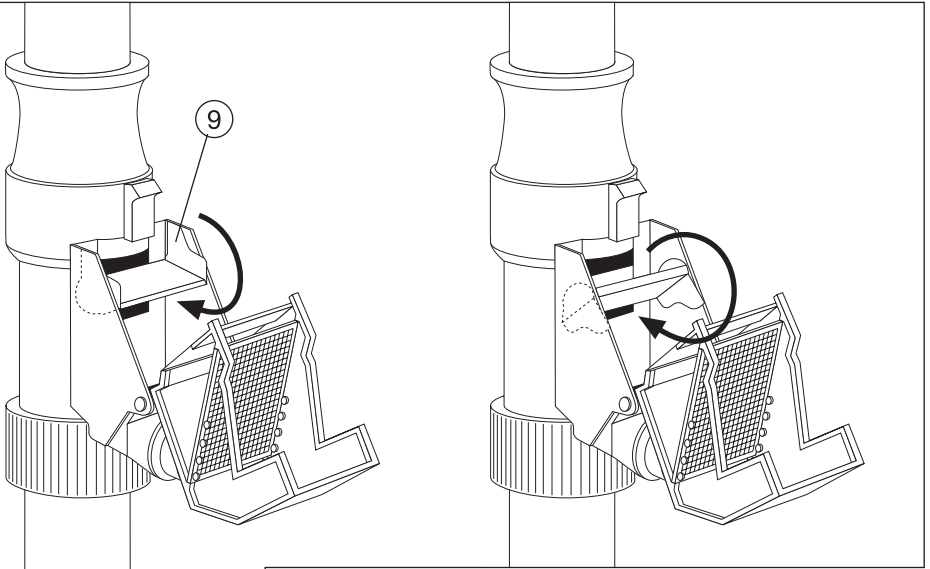








J



GARDENA Rain Water Collection Filter

1. Technical data / Use (fig. A)

The GARDENA Rain Water Collection Filter is supplied in two versions:

Rain Water Collection Filter, Art.-No. 3820

The Rain Water Collection Filter, Art. No. 3820, is intended for use

in **downpipes with a diameter between 96 mm and 110 mm.**

Rain Water Collection Filter with Adaptor, Art.-No. 3821

The Rain Water Collection Filter, Art. No. 3821, consists of the Rain Water Collection Filter,

Art. No. 3820, and a two-piece adaptor (Upper Reducing Coupling, Lower Reducing Coupling) which enables the Rain Water Collection Filter to be used in **downpipes with a diameter of between 65 mm and 110 mm.**

2. Installation instructions

General note:

In order to ensure proper functioning, the Rain Water Collection Filter should be installed in the downpipe in the vertical position only.

2.1 Installation of the Rain Water Collection Filter without Adaptor, Art. No. 3820

Preparation for installation

(fig. B-E)

1. Choose the height for the inlet into the tank.
Ideal: The height for the outlet of the filter is approximately the same as the height of the inlet into the tank (fig. B).
2. Mark the upper edge on the downpipe for installation of the Rain Water Collection Filter (fig. C).
3. Cut out the installation aid from the perforated pattern in the operating instructions and place this flat around the downpipe as shown in fig. D.
Note: The installation aid must overlap at both ends in order to ensure horizontal scribing (fig. D 1).
4. Use the installation aid to draw a straight line at the top, if possible over the entire diameter, of the downpipe and preferably using an indelible pen (fig. D).
5. Use a measuring tape to measure 34 cm downwards from the top and mark this position (fig. D).

6. Ensure that the downpipe has the same diameter as the drain pipe. If the diameter of the downpipe is smaller than the drain pipe, the downpipe must be secured, for example to the wall of the house or the pipe holder to prevent the lower section of the downpipe sliding into the drain pipe.
7. Slide the installation aid down to this marked position and mark the lower edge for installation, again, if possible over the entire diameter, of the downpipe (fig. D).
8. Use a suitable saw to cut out the marked section from the downpipe. Ensure that the cut is clean and straight (fig. E). Use a file to deburr the cut edges.

Installation (fig. A/F/G)

1. Turn the nut of the Rain Water Collection Filter ① clockwise as shown in fig. F 1 (a).
2. Insert the Rain Water Collection Filter between the cut downpipe sections – fig. F 1 (b) – and tighten up by turning the nut ① between both ends of the downpipe (c).
3. Connect the Rain Water Collection Filter and the GARDENA Rain Water Tank using a 25 mm (1") hose and the GARDENA Connecting Set 3815 (fig. G/G 1). By using the connecting sleeves ③, there is also the possibility of connecting up a commercially available DN 50 pipe, e.g. for

the supply from rain water cisterns or other types of rain water vessels.

Tip: The 33 mm (G 1) thread ② at the outlet of the Rain Water Collection Filter also enables the connection of the GARDENA Threaded Tap Connector 902 as well as the GARDENA "Profi" Maxi-Flow System Threaded Tap Connector 2802.

2.2 Installation of the Rain Water Collection Filter with Adaptor, Art. No. 3821

Preparation for installation

(fig. B-E)

1. Choose the height for the inlet into the tank.
Ideal: The height for the outlet of the filter is approximately the same as the height of the inlet into the tank (fig. B).
2. Mark the upper edge on the downpipe for installation of the Rain Water Collection Filter (fig. C).
3. Cut out the installation aid from the perforated pattern in the operating instructions and place this flat around the downpipe as shown in fig. D.
Note: The installation aid must overlap at both ends in order to ensure horizontal scribing (fig. D 1).
4. Use the installation aid to draw a straight line at the top, if possible over the entire diameter, of the downpipe and preferably using an indelible pen (fig. D).

- Use a measuring tape to measure 42 cm (for \varnothing 65-75 mm) or 43 cm (for \varnothing 76-95 mm) downwards from the top and mark this position (fig. D).
- Slide the installation aid down to this marked position and mark the lower edge for installation, again, if possible over the entire diameter, of the downpipe (fig. D).
- Use a suitable saw to cut out the marked section from the downpipe. Ensure that the cut is clean and straight (fig. E). Use a file to deburr the cut edges.

Installation (fig. A/F/G)

- Turn the nut of the Rain Water Collection Filter ① clockwise as shown in fig. F 2 (a).
- Insert the lower reducing coupling ⑦ at the top of the downpipe as shown in fig. F 2 (b).
- Insert the Upper Reducing Coupling ⑥ at the top of the Rain Water Collection Filter as shown in fig. F 2 (c).
- Insert the Rain Water Collection Filter between the cut downpipe sections as shown in fig. F 2 (d) and tighten up the Rain Water Collection Filter by turning the nut ① between both ends of the downpipe (e).
- Connect the Rain Water Collection Filter and the

GARDENA Rain Water Tank using a 25 mm (1") hose and the GARDENA Connecting Set 3815 (fig. G/G 1). By using the connecting sleeves ③, there is also the possibility of connecting up a commercially available DN 50 pipe, e.g. for the supply from rain water cisterns or other types of rain water vessels. **Tip:** The 33 mm (G 1) thread ② at the outlet of the Rain Water Collection Filter also enables the connection of the GARDENA Threaded Tap Connector 902 as well as the GARDENA "Profi" Maxi-Flow System Threaded Tap Connector 2802.

3. Cleaning the filter (fig. H/I)

The condition of the fine mesh filter ⑧ can be determined by looking through the transparent filter hood ④. The fine mesh filter is practically a self cleaning filter, larger items such as leaves are held back from the flow by the coarse filter at the filter inlet and pass down the downpipe.

Cleaning the coarse filter

To clean the coarse filter (blockage by larger items e.g. leaves) remove the Rain Water Collection Filter reversing the installation

procedure. Then remove all blocking items and reinstall the Rain Water Collection Filter.

Tip: If your gutter tends to block, we recommend the installation of a leaf collector box at the upper entrance to the downpipe.

Cleaning the fine mesh filter

Should however the fine mesh filter become blocked, it can be cleaned as follows:

- Open the Rain Water Collection Filter by unfolding the filter hood ④ forwards (fig. H).

- Remove the fine mesh filter insert as shown in fig. I by pressing (a) forwards and then lifting the insert (b) upwards.
- Clean the fine mesh filter under running water, insert (c) (along the guide knobs) again and close the filter hood by pulling the snap fastener ⑤ upwards and folding back the filter hood.

4. Shutting off the collection of water (fig. H/J)

Before the frost period begins or if the Rain Water Tank is full, the collection of water can be shut off as follows:

- Open the filter hood ④ as shown in fig. H.

- Turn the outlet bypass ⑨ downwards and away from you (fig. J) and close the filter hood again.

The water then flows directly through the downpipe into the drainage system and not

through the filter into the Rain Water Tank.

Advantage: It is not necessary to dismantle the Rain Water Collection Filter for the winter or during rainy periods.

5. Integrated overflow (fig. K)

If the outlet of the Rain Water Collection Filter is installed at the same height as the Rain Water

Tank, the water automatically flows back into the downpipe when the Rain Water Tank is full.

Tip: If the distance is 50 cm or more we recommend to create a 10% gradient for the inlet pipe

(e.g. for a distance of 1 m this equals 10 cm). Please note that in case of such a gradient the function of the overflow safety device is no longer guaranteed.

We expressly point out that, in accordance with the product liability law, we are not liable for any damage caused by our units if it is due to improper repair or if parts exchanged are not original GARDENA parts

or parts approved by us, and if the repairs were not carried out by a GARDENA Service Centre or an authorised specialist. The same applies to spare parts and accessories.

D**Garantie**

GARDENA gewährt für dieses Produkt 2 Jahre Garantie (ab Kaufdatum). Diese Garantieleistung bezieht sich auf alle wesentlichen Mängel des Gerätes, die nachweislich auf Material- oder Fabrikationsfehler zurückzuführen sind. Sie erfolgt durch die Ersatzlieferung eines einwandfreien Gerätes oder durch die kostenlose Reparatur des eingesandten Gerätes nach unserer Wahl, wenn folgenden Voraussetzungen gewährleistet sind:

- Das Gerät wurde sachgemäß und laut den Empfehlungen in der Gebrauchsanweisung behandelt. Es wurde weder vom Käufer noch von einem Dritten versucht, das Gerät zu reparieren.

Diese Hersteller-Garantie be-
rührt die gegenüber dem Händler/
Verkäufer bestehenden Gewähr-
leistungsansprüche nicht.

Im Störfall schicken Sie bitte
das defekte Gerät zusammen mit
dem Kaufbeleg und einer Fehler-
beschreibung frankiert an die
auf der Rückseite angegebene
Serviceadresse.

Nach erfolgter Reparatur senden
wir das Gerät – ebenfalls frei –
zurück.

GB**Guarantee**

GARDENA guarantees this
product for 2 years (from date of
purchase). This guarantee covers
all serious defects of the unit
that can be proved to be material
or manufacturing faults. Under
warranty we will either replace
the unit or repair it free of charge
if the following conditions apply:

- The unit must have been handled properly and in keeping with the requirements of the operating instructions.

Neither the purchaser or a
non-authorized third party have
attempted to repair the unit.

This manufacturer's guarantee
does not affect the user's existing
warranty claims against the
dealer/seller.

In the event of a fault, please
send the defective unit together
with the receipt and a description
of the fault, postage paid, to
one of the GARDENA Service
Centres listed at the rear.

F**Garantie**

GARDENA accorde pour cet ap-
pareil une garantie contractuelle
de 2 ans à compter du jour de
l'achat. Elle comprend le rem-
placement gratuit des pièces
défectueuses ou de l'appareil,
le choix en étant laissé à la libre
initiative de GARDENA.
En tout état de cause s'applique
la garantie légale couvrant toutes
les conséquences des défauts
ou vices cachés (article 1641 et
suivants du Code Civil).

Pour que ces garanties soient
valables, les conditions suivantes
doivent être remplies :

- L'appareil a été manipulé de
manière adéquate, suivant les
instructions du mode d'emploi.
- Il n'y a eu aucun essai de ré-
paration, ni par le client, ni par
un tiers.
- L'appareil et le bon d'achat
ont été retournés en port payé
au Service Après-Vente de
GARDENA France.

Une intervention sous garantie
ne prolonge pas la durée initiale
de la garantie contractuelle.

Toutes les revendications dépassant le contenu de ce texte ne sont pas couvertes par la garantie, quel que soit le motif de droit.

Pendant la période de garantie,
le Service Après-Vente effectuera,

à titre payant, les réparations
nécessaires par suite de mani-
pulations erronées.

En cas de réclamation, retournez
l'appareil défectueux, dûment
affranchi, muni du bon d'achat
et de la description du défaut
au Service Après-Vente indiquée
au verso.

NL**Garantie**

GARDENA geeft op dit product
2 jaar garantie (vanaf de aan-
koopdatum). Deze garantie heeft
betrekking op alle wezen-
lijke defecten aan het toestel,
die aanwijsbaar op materiaal-
of fabricagefouten berusten.
Garantie vindt plaats door de
levering van een vervangend ap-
paraat of door de gratis reparatie
van het ingestuurde apparaat,
naar onze keuze, indien aan de
volgende voorwaarden is voldaan:

- Het apparaat werd vakkundig
en volgens de adviezen in de
gebruiksaanwijzing behandeld.
Noch de koper, noch een
derde persoon heeft getracht
het apparaat te repareren.

Deze garantie van de producent
heeft geen betrekking op de
ten aanzien van de handelaar/
verkoper bestaande aansprake-
lijkheid.

Stuur bij storingen het defecte
apparaat samen met de kassa-
bon en een beschrijving van
de storing gefrankeerd aan het
of de achterzijde vermelde
serviceadres.

S**Garanti**

GARDENA lämnar 2 års garanti
för denna produkt. Garantin gäller
från inköpsdatum. Garantin om-
fattar väsentliga fel på produkten
som beror på fabriktions- eller
materialfel och som påtalats för
oss före garantitidens utgång.

Deutschland / Germany

GARDENA
Manufacturing GmbH
Service Center
Hans-Lorenser-Straße 40
D-89079 Ulm
Produktfragen:
(+49) 731 490-123
Reparaturen:
(+49) 731 490-290
service@gardena.com

Argentina

Argensem® S.A.
Calle Colonia Japonesa s/n
(1625) Loma Verde
Escobar, Buenos Aires
Phone: (+54) 34 88 49 40 40
info@argensem.com.ar

Australia

Nylex Consumer Products
50-70 Stanley Drive
Somerton, Victoria, 3062
Phone: (+61) 1800 658 276
spare.parts@nylex.com.au

Austria / Österreich

GARDENA
Österreich Ges.m.b.H.
Stettnerweg 11-15
2100 Korneuburg
Tel.: (+43) 2262 7 45 45 36
kundendienst@gardena.at

Belgium

GARDENA Belgium NV/SA
Sterrebeekstraat 163
1930 Zaventem
Phone: (+32) 2 720 92 12
Mail: info@gardena.be

Brazil

Palash Comércio e
Importação Ltda.
Rua Américo Brasiliense,
2414 - Chácara Sto Antonio
São Paulo - SP - Brasil -
CEP 04715-005
Phone: (+55) 11 5181-0909
eduardo@palash.com.br

Bulgaria

DENEX LTD.
2 Luis Ahalier Str. - 7th floor
Sofia 1404
Phone: (+359) 2 958 18 21
office@denex-bg.com

Canada

GARDENA Canada Ltd.
100 Summerlea Road
Brampton, Ontario L6T 4X3
Phone: (+1) 905 792 93 30
info@gardenacanada.com

Chile

Antonio Martinic y Cia Ltda.
Cassillas 272
Centro de Cassillas
Santiago de Chile
Phone: (+56) 2 20 10 708
garfar_cl@yahoo.com

Costa Rica

Compania Exim
Euroberoamericana S.A.
Los Colegios, Moravia,
200 metros al Sur del Colegio
Saint Francis - San José
Phone: (+506) 297 68 83
exim_euro@racsa.co.cr

Croatia

KLIS d.o.o.
Stanciceva 79
10419 Vukovina
Phone: (+385) 1 622 777 0
gardena@klis-trgovina.hr

Cyprus

FARMOKIPIKI LTD
P.O. Box 7098
74, Digeni Akrita Ave.
1641 Nicosia
Phone: (+357) 22 75 47 62
condam@spidernet.com.cy

Czech Republic

GARDENA spol. s r.o.
Řípská 20a, č.p. 1153
627 00 Brno
Phone: (+420) 800 100 425
gardena@gardenabrn.cz

Denmark

GARDENA Norden AB
Salgsafdeling Danmark
Box 9003
S-200 39 Malmö
info@gardena.dk

Finland

Habitec Oy
Martinkyläntie 52
01720 Vantaa

France

GARDENA
PARIS NORD 2
69, rue de la Belle Etoile
BP 57080
ROISSY EN FRANCE
95948 ROISSY CDG CEDEX
Tél. (+33) 0826 101 455
service.consommateurs@
gardena.fr

Great Britain

GARDENA UK Ltd.
27-28 Brenkley Way
Bleazard Business Park
Seaton Burn
Newcastle upon Tyne
NE13 6DS
info@gardena.co.uk

Greece

Agrokip
Psomadopoulos S.A.
Ifaistou 33A
Industrial Area Koropi
194 00 Athens Greece
V.A.T. EL09347484
Phone: (+30) 210 66 20 225
service@agrokip.gr

Hungary

GARDENA
Magyarország Kft.
Késmárk utca 22
1158 Budapest
Phone: (+36) 80 20 40 33
gardena@gardena.hu

Iceland

Ó. Johnson & Kaaber
Tunguhalsi 1
110 Reykjavik
ooj@ojk.is

Ireland

Michael McLoughlin & Sons
Hardware Limited
Long Mile Road
Dublin 12

Italy

GARDENA Italia S.p.A.
Via Donizetti 22
20020 Lainate (Mi)
Phone: (+39) 02.93.94.79.1
info@gardenaitalia.it

JAPAN

KAKUICHI Co. Ltd.
Sumitomo Realty &
Development Kojimachi
BLDG., 8F
5-1 Nibanncoy, Chiyoda-ku
Tokyo 102-0084
Phone: (+81) 33 264 4721
m_ishihara@kaku-ichi.co.jp

Luxembourg

Magasins Jules Neuberg
39, rue Jacques Stas
Luxembourg-Gasperich 2549
Case Postale No. 12
Luxembourg 2010
Phone: (+352) 40 14 01
api@neuberg.lu

Netherlands

GARDENA Nederland B.V.
Postbus 50176
1305 AD ALMERE
Phone: (+31) 36 521 00 00
info@gardena.nl

Neth. Antilles

Jonka Enterprises N.V.
Sta. Rosa Weg 196
P.O. Box 8200, Curaçao
Phone: (+599) 9 767 66 55
pgm@jonka.com

New Zealand

NYLEX New Zealand Limited
Building 2, 118 Savill Drive
Mangere, Auckland
Phone: (+64) 9 270 1806
lena.chapman@nylex.com.au

Norway

GARDENA Norden AB
Salgskontor Norge
Karihaugveien 89
1086 Oslo
info@gardena.no

Poland

GARDENA Polska Sp. z o.o.
Szymanów 9 d
05-532 Baniocza
Phone: (+48) 22 727 56 90
gardena@gardena.pl

Portugal

GARDENA Portugal Lda.
Recta da Granja do Marquês
Edif. GARDENA Algueirão
2725-596 Mem Martins
Phone: (+351) 21 922 85 30
info@gardena.pt

Romania

MADEX INTERNATIONAL SRL
Soseaua Odaii 117-123,
Sector 1,
București, RO 013603
Phone: (+40) 21 352 76 03
madex@ines.ro

Russia / Россия

ООО ГАРДЕНА РУС
123007, г. Москва
Хорошевское шоссе, д. 32А
Тел.: (+7) 495 247 25 10
info@gardena-rus.ru

Singapore

Hy - Ray PRIVATE LIMITED
40 Jalan Pemimpin
#02-08 Tat Ann Building
Singapore 577185
Phone: (+65) 6253 2277
hyray@singnet.com.sg

Slovak Republic

GARDENA Slovensko, s.r.o.
Panónska cesta 17
851 04 Bratislava
Phone: (+421) 263 453 722
info@gardena.sk

Slovenia

GARDENA d.o.o.
Brodišče 15
1236 Trzin
Phone: (+386) 1 580 93 32
servis@gardena.si

South Africa

GARDENA
South Africa (Pty.) Ltd.
P.O. Box 11534
Vorna Valley 1686
Phone: (+27) 11 315 02 23
sales@gardena.co.za

Spain

GARDENA IBERICA S.L.U.
C/ Basauri, nº 6
La Florida
28023 Madrid
Phone: (+34) 91 708 00 00
atencioncliente@gardena.es

Sweden

GARDENA Norden AB
Försäljningskontor Sverige
Box 9003
200 39 Malmö
info@gardena.se

Switzerland / Schweiz

GARDENA (Schweiz) AG
Bitzberg 1
8184 Bachenbülach
Phone: (+41) 848 800 464
info@gardena.ch

Turkey

GARDENA / Dost Diş Ticaret
Mümesillik A.Ş. Sanayi
Çad. Adil Sokak No. 1
Kartal - İstanbul
Phone: (+90) 216 38 93 939
info@gardena-dost.com.tr

Ukraine / Україна

ALTSEST JSC
4 Petropavlivska Street
Petropavlivska
Borschahivka Town
Kyivo Svyatoslyn Region
08130, Ukraine
Phone: (+380) 44 459 57 03
upyr@altsest.kiev.ua

USA

Melnor Inc.
3085 Shawnee Drive
Winchester, VA 22604
Phone: (+1) 540 722-9080
service_us@melnor.com

3820-20.960.06/0207

© GARDENA
Manufacturing GmbH
D-89070 Ulm
http://www.gardena.com