

Art. 1820

- E Manual de instrucciones**  
Temporizador de riego electrónico T 14 e
- 
- P Instruções de utilização**  
Relógio electrónico de Rega T 14 e
- 
- D Gebrauchsanweisung**  
Bewässerungsuhr electronic T 14 e
- 
- GB Operating Instructions**  
Water Timer Electronic T 14 e
- 
- PL Instrukcja obsługi**  
Sterownik nawadniania electronic T 14 e

**Contenido**  
**Conteúdo**  
**Inhalt**  
**Contents**  
**Treść**

**Página**  
**Página**  
**Seite**  
**Page**  
**Strona**

**E**

Manual de instrucciones  
Garantía

4 - 12  
51

**P**

Instruções de utilização  
Garantia

13 - 21  
51

**D**

Gebrauchsanweisung  
Garantie

22 - 32  
52

**GB**

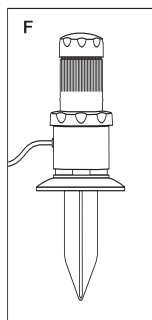
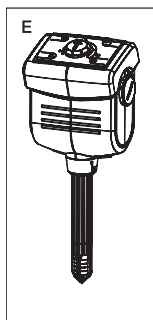
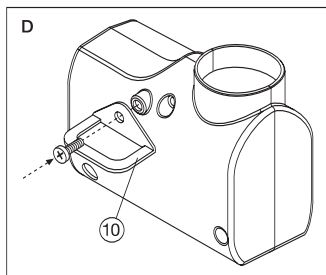
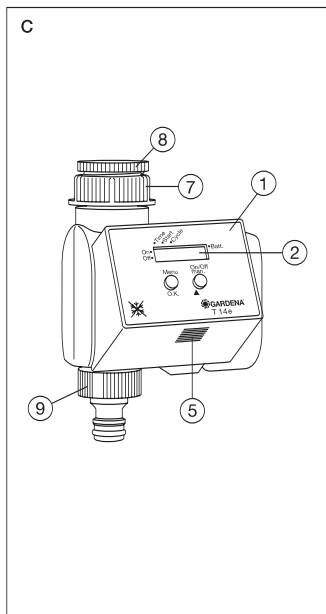
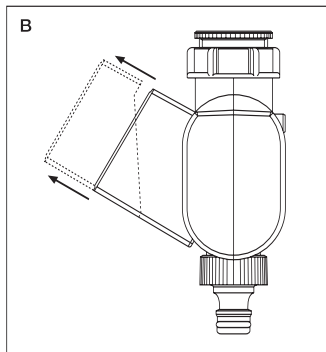
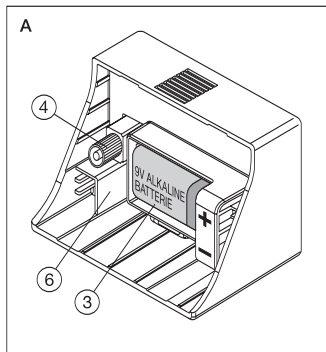
Operating Instructions  
Guarantee

33 - 41  
52

**PL**

Instrukcja obsługi  
Gwarancja


42 - 50  
53



## Water Timer Electronic T 14 e

### 1. Notes on these Operating Instructions


Please read these operating instructions carefully and observe the notes given. Use these operating instructions to familiarise yourself with the Water Timer, the unit's features and proper use as well as with the notes on safety.

 **For safety reasons, children and young people under 16 as well as anyone who is not familiar with these operating instructions may not use the Water Timer.**

**Keep these operating instructions in a safe place.**

### 2. Proper Use

The GARDENA Water Timer Electronic T 14 e is suitable and determined for private use in domestic and hobby gardens, exclusively for outdoor use, to control sprinklers and watering systems.

 **The Water Timer must not be used for industrial purposes or in conjunction with chemicals, foodstuffs, easily flammable and explosive materials.**

Compliance with the operating instructions provided by the manufacturer is a prerequisite to ensure proper use of the GARDENA Water Timer Electronic.

The operating instructions also contain operating, servicing and maintenance conditions.

### 3. Technical Data

Operating pressure:	1 - 12 bar
Flow medium:	clean fresh water
Max. water temperature:	40 °C
Watering cycles:	14
Battery:	1 × 9 V alkali-manganese (alkaline) type IEC 6LR61
Service life of the battery:	approx. 1 year

## 4. How the Water Timer Electronic Works

This GARDENA Water Timer Electronic T 14 e allows you to set different watering cycles for different watering times independent of whether you are using a sprinkler, a sprinkler system installation or a drip-head watering system to water your garden.

Your Water Timer Electronic will water your garden completely automatically according to the program you choose. You can set the timer to water your garden early in the morning or late at night when water evaporates the least, or while you are on holiday.

## 5. Operating Parts

- |   |  |
|---|--|
| ① Control unit                                      | <b>Accompanying accessories</b>          |
| ② Display   | ⑧ G $\frac{3}{4}$ adaptor for sleeve nut |
| ③ Battery compartment                               | ⑨ GARDENA threaded tap connector         |
| ④ Connection plug for control unit                  |  |
| ⑤ Release button for control unit                   |  |
| ⑥ Connection for Soil Moisture Sensor / Rain Sensor | <b>Option</b>                            |
| ⑦ Sleeve nut  | ⑩ Anti-theft protection                  |

## 6. Preparation for Use

Before you use your Water Timer Electronic you must:

1. Insert the battery
2. Connect the Water Timer Electronic to the tap
3. Set the watering program

### 6.1 Inserting the Battery (Fig. A)

1. Remove the control unit ① from the housing of the Water Timer by pressing the release button ⑤ (see Fig. B/C).
2. Insert the battery (only use a 9 V alkaline battery) in the battery compartment (Fig. A).

- Note:** When inserting the battery pay attention to the **+/- markings**.
3. Reattach the control unit to the housing.

### 6.2 Connecting the Water Timer to the Tap (Fig. C)

The Water Timer is fitted with a sleeve nut for taps with a **33.3 mm (G1)** thread.

### **Adaptor for G 3/4 thread (26.5 mm)**

The adaptor supplied allows the Water Timer to be connected to taps with a G 3/4 thread (26.5 mm). If you are using the adaptor, screw **the adaptor onto the tap** before screwing the Water Timer onto the adaptor.

**Warning! Attach and screw on manually. Do not use pliers!**

### **6.3 Function Keys and Display (Fig. C)**

**Note:** The Water Timer control unit ① can be removed (Fig. B). This allows you to set the watering program somewhere other than where the Water Timer is to be used.

#### **Menu-O.K.**

→ Changes to the next stage of the program. Simultaneously accepts and confirms the data you have entered using the **man.** key.

#### **On/Off-man.**

→ Used to change the individual data (e.g. counting hours, minutes, ...)

→ To switch a connected watering system on and off manually.

#### **LCD Display**

##### **Note:**

- In the entry mode the corresponding display flashes.
- At high temperatures (over 60 °C at the display) the LCD may extinguish. This has no effect on the program sequence. Once the LCD display cools down, the display will appear again.

#### **On**

Status display – The connected watering system is active.

#### **Off**

Status display – The connected watering system is inactive.

#### **Time (current time)**

→ In the programming mode:   Hours – Hours of the current time  
  Minutes – Minutes of the current time

#### **Start**

→ Starting time; when the watering system becomes active.

Hours – Hour when devices become active

Minutes – Minutes when devices become active

#### **Cycle**

Displays selected program.

## 6.4 Programming

### **Entering the Current Data**

1. Press the **O.K.** key  
→ the hours (Time) start flashing.
2. You can enter the time using the **man.** key, e.g. 9:00.
3. Use the **O.K.** key to confirm the hour you have entered and to allow you to enter the minutes.
4. Select the minutes using the **man.** key, e.g. 23.
5. Confirm your entry by pressing the **O.K.** key and switch to the starting time.

### **Entering the Starting Time**

1. Use the **man.** key to enter the hours of the starting time, e.g. 7.  
Then press the **O.K.** key to confirm your entry and to enter the minutes.
2. Once again, use the **man.** key to set the minutes of the starting time, e.g. 30.  
Confirm your entry by pressing the **O.K.** key. You can now choose your program.

### **Active Program**

1. Choose a program listed in the section "Program Overview". Press the **man.** key repeatedly until the program number you require appears on the display.  
**Note:** With the combination 00 ("Stand-by") no program is active.
2. Confirm your selection by pressing the **O.K.** key.  
→ You have now successfully programmed your Water Timer. The current time now appears on the display.

### **Note**

- You can jump to the next program level at any time during the programming sequence by pressing the **O.K.** key (current time, starting time, program number). The set data is then simultaneously accepted.
- If you do not enter data within 120 seconds, you automatically leave the programming mode and the LCD shows the current time (normal display). Any changes you have made previously are applied.
- You have now successfully programmed your Water Timer. Your garden will now be watered automatically at the programmed times.

### **Display During Active Time**

#### **Example:**

- The current time is 8:45 am
- **On** is lit; this means watering is in progress (active)
- The double dots between the hours and minutes of the time are flashing; this means the clock is running.

You can start or end the watering prematurely at any time by pressing the **man.** key. The watering time is then 30 minutes.

### **Read / Change Program**

To check the data, you can repeatedly press the **O.K.** key to run through the program levels. The levels are selected and checked consecutively. This does not interrupt the current program cycle.

To change the data, proceed as described above.

### **Program Overview**

<b>Program number</b>	<b>Cycle</b>	<b>Duration</b>
<b>00</b>	No program active	
<b>01</b>	6 hours (4 times daily)	3 minutes
<b>02</b>	12 hours (twice daily)	3 minutes
<b>03</b>	12 hours (twice daily)	15 minutes
<b>04</b>	24 hours (once a day)	3 minutes
<b>05</b>	24 hours (once a day)	5 minutes
<b>06</b>	24 hours (once a day)	30 minutes
<b>07</b>	24 hours (once a day)	1 hour
<b>08</b>	2 days	5 minutes
<b>09</b>	2 days	30 minutes
<b>10</b>	2 days	1 hour
<b>11</b>	3 days	30 minutes
<b>12</b>	3 days	1 hour
<b>13</b>	7 days	1 hour
<b>14</b>	7 days	2 hours


### **Manual, programming-independent On/Off (man.)**

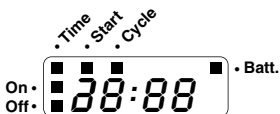
Before and after entering data, you can operate the GARDENA Water Timer electronic T 14 e manually, independent of the programmed data. To do this, press the **man.** key.

Press the **MAN** key once to activate watering for a maximum of 30 minutes (LCD: **On**). Press the **man.** key again to end watering.



## 7. Changing the Battery / Testing the Battery


 To ensure the Water Timer runs safely, only a 9 V alkali-manganese battery (alkaline) type IEC 6LR61 must be used.



If the battery voltage falls below a **certain level** the **Batt.** indicator appears. It is possible to initiate watering manually even if the battery capacity is too low (valve no longer opens), but programmed watering times, however, are not initiated.

Even if the **battery capacity is too low** to run a program, if the valve is open it will be closed.

The battery voltage is tested **between the opening and the closing pulse**. In this way you can test the capability of the battery **at any time**. To do this, press two times the **On/Off-man.** key. If the valve closes and the **Batt.** indicator does not appear then the battery is functioning. If the display disappears and only the **Batt.** indicator is visible, the battery has to be changed.

 **Previously set data is lost when replacing the battery. Program the Water Timer subsequently again.**

For notes on changing the battery see "Inserting the Battery".

## 8. Notes on Safety and Operation

- The minimum water output to ensure that the Water Computer functions correctly is 20-30 l/h.  
For example, at least 10 x 2-litre Drip Heads are required to control the Micro-Drip-System.
- To prevent water penetrating the battery compartment the Water Timer must only be mounted in a perpendicular position with the sleeve nut pointing upwards.
- Program the Water Timer with the tap turned off. In this way you can avoid getting wet when trying out the manual On/Off function. You can remove the control unit from the housing to program the Water Timer.
- The Water Timer must only be used outdoors.  
**Warning!** The Water Timer must not be used indoors.
- The Water Timer must be stored in a dry place away from frost before the frosty season begins.
- The max. temperature for the water flow is 40 °C.

- The minimum operating pressure is 1 bar, the maximum operating pressure is 12 bar.
- Check the filter in the sleeve nut ⑦ regularly and clean if necessary.
- Avoid tensile strain. Do not pull the hose connected to the Water Timer Electronic.
- Only use clear fresh water.

## 9. Anti-Theft Protection (Fig. D)

To protect your Water Timer against theft, the GARDENA anti-theft protection ⑩ (1815-00.791.00) is available at GARDENA Service. The bracket on the anti-theft protection is fitted onto the back of the unit. Note that the screw included cannot be loosened once it has been screwed in. The bracket can be used, for example, to attach a chain.

## 10. GARDENA Soil Moisture Sensor (Fig. E)

Together with the GARDENA Soil Moisture Sensor (Art. No. 1188) watering is controlled considering the soil moisture.

### Assembly

The Soil Moisture Sensor is connected to the connection socket ⑥ on the back of the control unit (Fig. A).

### How it works

If the connected Soil Moisture Sensor indicates there is sufficient moisture then the watering program is either interrupted or not initiated.

**Note:** Manual watering (function **On/Off-man.**) is still possible.

## 11. GARDENA Rain Sensor (Fig. F)

Together with the GARDENA Rain Sensor (Art. No. 1189) watering is controlled considering natural precipitation.

### Assembly

The Rain Sensor, as an alternative to the Soil Moisture Sensor, can be connected to the connection socket ⑥ on the back of the control unit (Fig. A).

### How it works

If the connected Rain Sensor indicates an appropriate amount of rain, the watering program is interrupted or not initiated.

**Note:** Manual watering (function **On/Off-man.**) is still possible.

## 12. Faults

<b>Fault</b>	<b>Possible Cause</b>	<b>Remedy</b>
<b>Not able to open the Water Timer using the “On/Off-man.” function.</b>	Battery power too low.	Insert a new <b>alkaline battery</b> .
	Tap turned off.	Turn on tap.
<b>Watering not initiated.</b>	Battery power too low.	Insert a new <b>alkaline battery</b> .
	Data input / changes made while the program was starting or immediately before.	Input data or make changes before or after the starting times you have chosen.
	Tap turned off.	Turn on tap.
	Soil Moisture Sensor or Rain Sensor indicate sufficient moisture.	If dry, check setting/ position of the Soil Moisture Sensor or Rain Sensor.
<b>Battery flat after working for a short time.</b>	<b>Not</b> an alkaline battery.	Use an <b>alkaline battery</b> .

If you have any problems with your Water Timer Electronic, please contact our Customer Service.

### **Disposal** (in accordance with RL2002/96/EC)



The product must not be added to normal household waste. It must be disposed of properly.

**We expressly point out that, in accordance with the product liability law, we are not liable for any damage caused by our units if it is due to improper repair or if parts exchanged are not original GARDENA parts or parts approved by us, and, if the repairs were not carried out by a GARDENA Service Centre or an authorised specialist. The same applies to spare parts and accessories.**

# EU Certificate of Conformity

The undersigned

GARDENA Manufacturing GmbH · Hans-Lorensen-Str. 40 · D-89079 Ulm

hereby certifies that, when leaving our factory, the unit indicated below is in accordance with the harmonised EU guidelines, EU standards of safety and product specific standards.

This certificate becomes void if the unit is modified without our approval.

**Description of the unit:**

Water Timer Electronic

**Year of CE marking:**

1999

**Type:** T 14 e

**Art. No.:** 1820

Ulm, 01.09.1999

**EU directives:**

Electromagnetic Compatibility  
89/336/EC  
Directive 93/68/EC



Thomas Hehl  
Technical Dept. Manager

**D**

## Garantie

GARDENA gewährt für dieses Produkt 2 Jahre Garantie (ab Kaufdatum). Diese Garantieleistung bezieht sich auf alle wesentlichen Mängel des Gerätes, die nachweislich auf Material- oder Fabrikationsfehler zurückzuführen sind. Sie erfolgt durch die Ersatzlieferung eines einwandfreien Gerätes oder durch die kostenlose Reparatur des eingesandten Gerätes nach unserer Wahl, wenn folgende Voraussetzungen gewährleistet sind:

- Das Gerät wurde sachgemäß und laut den Empfehlungen in der Gebrauchsanweisung behandelt.
- Es wurde weder vom Käufer noch von einem Dritten versucht, das Gerät zu reparieren.

Defekte an der Bewässerungsuhr durch falsch eingelegte oder ausgelaufene Batterien sind von der Garantie ausgeschlossen.

Diese Hersteller-Garantie berührt die gegenüber dem Händler/Verkäufer bestehenden Gewährleistungsansprüche nicht.

Im Servicefall schicken Sie bitte das defekte Gerät zusammen mit einer Kopie des Kaufbelegs und einer Fehlerbeschreibung per Abhol-Service (nur in Deutschland) oder frankiert an die auf der Rückseite angegebene Serviceadresse. Nach erfolgter Reparatur senden wir das Gerät frei an Sie zurück.

**GB**

## Guarantee

GARDENA guarantees this product for 2 years (from date of purchase). This guarantee covers all serious defects of the unit that can be proved to be material or manufacturing faults. Under warranty we will either replace the unit or repair it free of charge if the following conditions apply:

- The unit must have been handled properly and in keeping with the requirements of the operating instructions.
- Neither the purchaser or a non-authorised third party have attempted to repair the unit.

Defects in the Water Timer attributable to batteries which have been incorrectly installed or are leaking are excluded from the warranty provisions.

This manufacturer's guarantee does not affect the user's existing warranty claims against the dealer/seller.

If covered under warranty, please contact our Customer Service or return the defective unit together with a short description of the problem and a copy of the receipt directly to one of the GARDENA Service Centres listed on the back of this leaflet.

**Deutschland / Germany**

GARDENA  
Manufacturing GmbH  
Service Center  
Hans-Lorenser-Straße 40  
D-89079 Ulm  
Produktfragen:  
(+49) 7 31 490-123  
Reparaturen:  
(+49) 7 31 490-290  
service@gardena.com

**Argentina**

Argensem® S.A.  
Calle Colonia Japonesa s/n  
(1625) Loma Verde  
Escobar, Buenos Aires  
Phone: (+54) 34 88 49 40 40  
info@argensem.com.ar

**Australia**

Nylex Consumer Products  
50-70 Stanley Drive  
Somerton, Victoria, 3062  
Phone: (+61) 1800 658 276  
spare.parts@nylex.com.au

**Austria / Österreich**

GARDENA  
Österreich Ges.m.b.H.  
Stettnerweg 11-15  
2100 Korneuburg  
Tel.: (+43) 22 62 7 45 45 36  
kundendienst@gardena.at

**Belgium**

GARDENA Belgium NV/SA  
Sterrebeekstraat 163  
1930 Zaventem  
Phone: (+32) 2 7 20 92 12  
Mail: info@gardena.be

**Brazil**

Palash Comércio e  
Importação Ltda.  
Rua Américo Brasiliense,  
2414 - Chácara Sto Antonio  
São Paulo - SP - Brasil -  
CEP 04715-005  
Phone: (+55) 11 5181-0909  
eduardo@palash.com.br

**Bulgaria**

DENEX LTD.  
2 Luis Ahalier Str. - 7th floor  
Sofia 1404  
Phone: (+359) 2 958 18 21  
office@denex-bg.com

**Canada**

GARDENA Canada Ltd.  
100 Summerlea Road  
Brampton, Ontario  
Canada L6T 4X3  
Phone: (+1) 905 792 93 30  
info@gardenacanada.com

**Chile**

Antonio Martinic y Cia Ltda.  
Cassillas 272  
Centro de Cassillas  
Santiago de Chile  
Phone: (+56) 2 20 10 708  
garfar\_cl@yahoo.com

**Costa Rica**

Compania Exim  
Euroberoamericana S.A.  
Los Colegios, Moravia,  
200 metros al Sur del Colegio  
Saint Francis - San José  
Phone: (+506) 297 6883  
exim\_euro@racsa.co.cr

**Croatia**

KLIS d.o.o.  
Stancecva 79  
10419 Vukovina  
Phone: (+385) 1 622 777 0  
gardena@klis-trgovina.hr

**Cyprus**

FARMOKIPIKI LTD  
P.O. Box 7098  
74, Digeni Akrita Ave.  
CY-1641 Nicosia  
Phone: (+357) 22 75 47 62  
condam@spidernet.com.cy

**Czech Republic**

GARDENA spol. s r.o.  
Řípská 20a, č.p. 1153  
627 00 Brno  
Phone: (+420) 800 100 425  
gardena@gardenabrno.cz

**Denmark**

GARDENA Norden AB  
Salgsafdeling Danmark  
Box 9003  
S-200 39 Malmö  
info@gardena.dk

**Finland**

Habitec Oy  
Martinkyläntie 52  
01720 Vantaa

**France**

GARDENA  
PARIS NORD 2  
69, rue de la Belle Etoile  
BP 57080  
ROISSY EN FRANCE  
95948 ROISSY CDG CEDEX  
Tél. (+33) 0826 101 455  
service.consommateurs@  
gardena.fr

**Great Britain**

GARDENA UK Ltd.  
27-28 Brenkley Way  
Blezard Business Park  
Seaton Burn  
Newcastle upon Tyne  
NE13 6DS  
info@gardena.co.uk

**Greece**

Agrokop  
Psomadopoulos S.A.  
Ifaistou 33A  
Industrial Area Koropi  
194 00 Athens Greece  
V.A.T. EL093474846  
Phone: (+30) 210 66 20 225  
service@agrokop.gr  
www.agrokop.gr

**Hungary**

GARDENA  
Magyarország Kft.  
Késmárk utca 22  
1158 Budapest  
Phone: (+36) 80 20 40 33  
gardena@gardena.hu

**Iceland**

Ó. Johnson & Kaaber  
Tunguhalsi 1  
110 Reykjavik  
ooj@ojk.is

**Ireland**

Michael McLoughlin & Sons  
Hardware Limited  
Long Mile Road  
Dublin 12

**Italy**

GARDENA Italia S.p.A.  
Via Donizetti 22  
20020 Lainate (Mi)  
Phone: (+39) 02.93.94.79.1  
info@gardenaitalia.it

**Japan**

KAKUICHI Co. Ltd.  
Sumitomo Realty &  
Development Kojimachi  
BLDG., 8F  
5-1 Nibanncho, Chiyoda-ku  
Tokyo 102-0084  
Phone: (+81) 33 264 4721  
m\_ishihara@kaku-ichi.co.jp

**Luxembourg**

Magasins Jules Neuberger  
Grand Rue 30  
Boîte postale 12  
L-2010 Luxembourg  
Phone: (+352) 40 14 01  
info@neuberger.lu

**Netherlands**

GARDENA Nederland B.V.  
Postbus 50176  
1305 AD ALMERE  
Phone: (+31) 36 521 00 00  
info@gardena.nl

**Neth. Antilles**

Jonka Enterprises N.V.  
Sta. Rosa Weg 196  
P.O. Box 8200  
Curaçao  
Phone: (+599) 9 767 66 55  
pgm@jonka.com

**New Zealand**

NYLEX New Zealand Limited  
Building 2  
118 Savill Drive  
Mangere, Auckland  
Phone: (+64) 9 270 1806  
lena.chapman@nylex.com.au

**Norway**

GARDENA Norden AB  
Salgskontor Norge  
Karihaugveien 89  
1086 Oslo  
info@gardena.no

**Poland**

GARDENA Polska Sp. z o.o.  
Szymanów 9 d  
05-532 Baniocza  
Phone: (+48) 22 727 56 90  
gardena@gardena.pl

**Portugal**

GARDENA Portugal Lda.  
Recta da Granja do Marquês  
Edif. GARDENA Algueirão  
2725-596 Mem Martins  
Phone: (+351) 21 922 85 30  
info@gardena.pt

**Romania**

MADEX INTERNATIONAL SRL  
Soseaua Odaii 117-123  
Sector 1,  
București, RO 013603  
Phone: (+40) 21 352 76 03  
madex@ines.ro

**Russia / Россия**

ООО ГАРДЕНА PVC  
123007, г. Москва  
Хорошевское шоссе, д. 32А  
Тел.: (+7) 495 247 25 10  
info@gardena-rus.ru

**Singapore**

Hy - Ray PRIVATE LIMITED  
40 Jalan Pemimpin  
#02-08 Tat Ann Building  
Singapore 577185  
Phone: (+65) 6253 2277  
hyray@singnet.com.sg

**Slovak Republic**

GARDENA Slovensko, s.r.o.  
Panónska cesta 17  
851 04 Bratislava  
Phone: (+421) 263 453 722  
info@gardena.sk

**Slovenia**

GARDENA d.o.o.  
Brodišče 15  
1236 Trzin  
Phone: (+386) 1 580 93 32  
servis@gardena.si

**South Africa**

GARDENA  
South Africa (Pty.) Ltd.  
P.O. Box 11534  
Vorna Valley 1686  
Phone: (+27) 11 315 02 23  
sales@gardena.co.za

**Spain**

GARDENA IBÉRICA S.L.U.  
C/ Basauri, nº 6  
La Florida  
28023 Madrid  
Phone: (+34) 91 708 05 00  
(4 líneas)  
atencioncliente@gardena.es

**Sweden**

GARDENA Norden AB  
Försäljningskontor Sverige  
Box 9003  
200 39 Malmö  
info@gardena.se

**Switzerland / Schweiz**

GARDENA (Schweiz) AG  
Bitziberg 1  
8184 Bachenbülach  
Phone: (+41) 848 800 464  
info@gardena.ch

**Turkey**

GARDENA / Dost Diş Ticaret  
Mümessillik A.Ş. Sanayi  
Çad. Adil Sokak No. 1  
Kartal - İstanbul  
Phone: (+90) 216 38 93 939  
info@gardena-dost.com.tr

**Ukraine / Украина**

ALTSEST JSC  
4 Petropavlivska Street  
Petropavlivska  
Borschahivka Town  
Kyivo Svyatoshyn Region  
08130, Ukraine  
Phone: (+380) 44 459 57 03  
upyr@altsest.kiev.ua

**USA**

Melnor Inc.  
3085 Shawnee Drive  
Winchester, VA 22604  
Phone: (+1) 540 722-9080  
service\_us@melnor.com

1820-29.960.08/0107  
© GARDENA  
Manufacturing GmbH  
D-89070 Ulm  
<http://www.gardena.com>