

Art. 1810

- E** **Manual de instrucciones**  
Programador de riego C 1030 Plus
- 
- P** **Instruções de utilização**  
Computador de rega C 1030 Plus
- 
- D** **Betriebsanleitung**  
Bewässerungscomputer C 1030 plus
- 
- GB** **Operating Instructions**  
Water Computer Plus C 1030
- 
- PL** **Instrukcja obsługi**  
Komputer nawadniający C 1030 plus

<b>Contenido</b>	Página
<b>Conteúdo</b>	Página
<b>Inhalt</b>	Seite
<b>Contents</b>	Page
<b>Treść</b>	Strona

## **E**

Resumen de las instrucciones para el uso	8
Manual de instrucciones	6 - 22
Garantía	94

## **P**

Breves instruções de utilização	25
Instruções de utilização	23 - 40
Garantia	94

## **D**

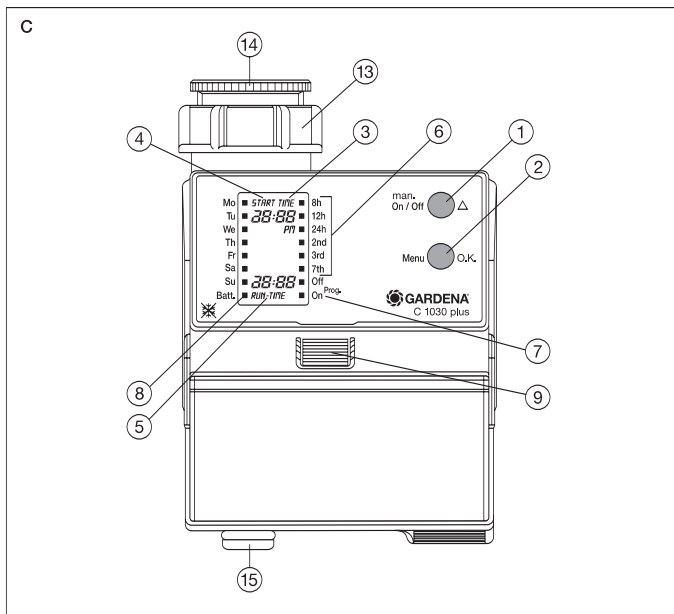
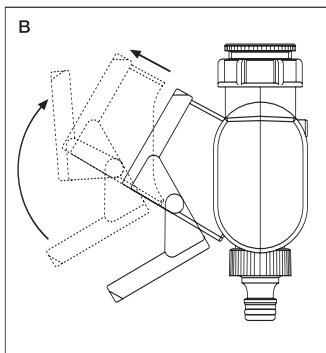
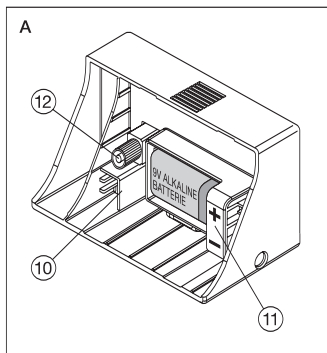
Kurz-Betriebsanleitung	43
Betriebsanleitung	41 - 58
Garantie	95

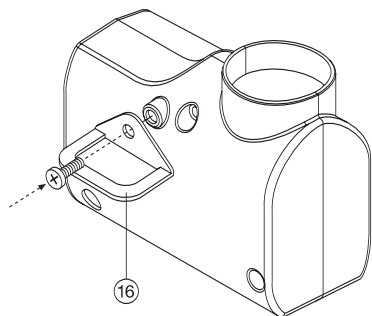
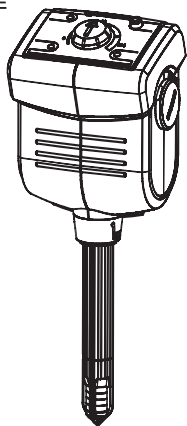
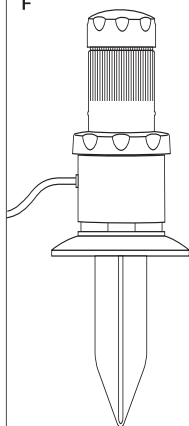
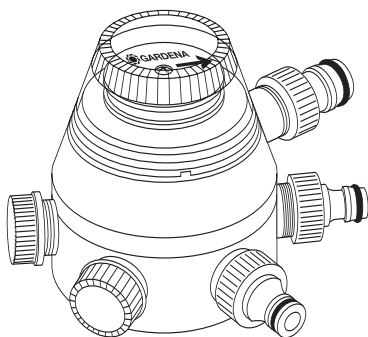
## **GB**

Summary of Operating Instructions	61
Operating Instructions	59 - 75
Guarantee	95

## **PL**

Skrócona instrukcja użytkowania	78
Instrukcja obsługi	76 - 93
Gwarancja	96




**D****E****F****G**

## Water Computer Plus C 1030

### 1. Notes on these Operating Instructions


Translation of the original instructions from German.  
Please read these operating instructions carefully and observe the notes given. Use these operating instructions to familiarise yourself with the Water Computer, the unit's features and proper use as well as with the notes on safety.

 **For safety reasons children and young people under 16 and anyone who is not familiar with these operating instructions may not use the Water Computer.**

**Keep these operating instructions in a safe place.**

### 2. Proper Use

The GARDENA Water Computer Plus C 1030 is suitable and determined for private use in domestic and hobby gardens, exclusively for outdoor use, to control sprinklers and watering systems.

 **The Water Computer must not be used for industrial purposes or in conjunction with chemicals, foodstuffs, easily flammable and explosive materials.**

Compliance with the operating instructions provided by the manufacturer is a prerequisite for proper use of the GARDENA Water Computer.

The operating instructions also contain operating, servicing and maintenance conditions.

### 3. Technical Data

Operating pressure:	0,5 - 12 bar
Minimum flow rate:	20 l/h
Flow medium:	clean fresh water
Max. water temperature:	40 °C
Number of program-controlled watering cycles per day:	up to 3
Watering cycles per week:	every day, every 2nd, 3rd or 7th day
Watering time per program:	1 min. to 7 hrs 59 mins.
Battery:	1 x 9 V alkali-manganese (alkaline) type IEC 6LR61
Service life of the battery:	approx. 1 year

### 4. How the Water Computer Works

Your GARDENA Water Computer allows you to water your garden completely automatically any time you choose up to 3 times a day, whether you are using a sprinkler, a sprinkler system installation or a drip-head watering system.

Your Water Computer waters your garden completely automatically according to the program you choose. You can use your Water Computer to water your garden early in the morning or late at night when water evaporates the least or when you are on holiday.

You simply program the **watering start, watering time and watering day(s) or cycles.**

## 5. Summary of Operating Instructions

### 1. Inserting the Battery

Only use a 9 V alkali-manganese (alkaline) battery type IEC 6LR61. Observe the polarity (+/- markings).

### 2. Programming the Water Computer

Select the individual program steps in succession using the **Menu/O.K.** key.

You can change the program data using the **On/Off ▲** key.

The main display (time) can be accessed using the **Menu/O.K.** key.

#### Entering the Time and Day of the Week

- a) Time – hours
- b) Time – minutes
- c) Day of the week

#### Entering the Watering Data

- a) Starting time – hours
- b) Starting time – minutes
- c) Watering time – hours
- d) Watering time – minutes
- e) Watering cycle

### 3. On/Off-Prog.

**Off:** The watering program is switched off (e.g. during a rainy spell)

**On:** The watering program is switched on (normal operation)

### 4. Manual On/Off Operation

Press the **On/Off** key once to open the valve and press again to close it.

**The opening time is pre-set at the factory to 30 minutes and cannot be changed!**

## 6. Function Keys / Display of the Water Computer

### 6.1 Function Keys (Fig. A)

- ① **man On/Off ▲** To change the individual data you have entered (e.g. hours, minutes, days etc.); to quickly run through the data, press and hold the key down.
- ② **Menu O.K.** To move to the next step of the program and simultaneously accept and confirm data you have set using the **On/Off** key.

### 6.2 LCD Display

**Note:** In the entry mode the respective data flashes.

#### ③ **TIME (current data: time, day of the week)**

Hours	Hours of the current time.
Minutes	Minutes of the current time.
Seconds	Dots between the hours and minutes flash when you have entered or changed the current time (hour/minute/day of the week).
Day	Indicates the current day of the week (Mo, Tu, etc.) (date/time).

#### ④ **START TIME (Watering Starting Time)**

Hours	Hour for the watering starting time.
Minutes	Minute for the watering starting time.
Seconds	Dots between the hours and minutes flash during automatic watering.

#### ⑤ **RUN TIME (Watering Time)**

Hours	Hours for the watering time.
Minutes	Minutes for the watering time.

#### ⑥ **Watering Cycles**

Shows the watering cycles you set in the program mode: every 8, 12, 24 hours, or every 2, 3, 7 days.



- ⑦ **On/Off-Prog.** Status indicator  
**Off** No watering (e.g. during a rainy spell).  
**On** Watering programs are run.
- ⑧ **Batt.** Flashes when the battery power is too low.  
Change the battery!

### 6.3 Other Features

- ⑨ **Release button** To release the control unit.
- ⑩ **Connection** For GARDENA Soil Moisture Sensor (Art. N° 1188) and GARDENA Rain Sensor (Art. N° 1189).
- ⑪ **Battery compartment**  
To insert a 9 V battery in the back of the control unit.
- ⑫ **Connection socket**  
Socket to connect the control unit.
- ⑬ **Sleeve nut incl. filter**  
To connect the water computer to the tap.

### 6.4 Accompanying Accessories

- ⑭ **G  $\frac{3}{4}$  Adapter for sleeve nut**  
To connect the water computer to taps with a G  $\frac{3}{4}$  thread.
- ⑮ **GARDENA threaded tap connector**  
Fits GARDENA System hose connectors.

### 6.5 Option

- ⑯ **Anti-theft protection**  
With special one-way screw and bracket.  
Available from GARDENA Service.

### 6.6 Other Products Which can be Connected

- Fig. E GARDENA Soil Moisture Sensor (Art. No. 1188)
- Fig. F GARDENA Rain Sensor (Art. No. 1189)
- Fig. G GARDENA Automatic Water Distributor (Art. No. 1198)

## 7. Preparations for Use

### 1. Inserting the battery (Fig. A)

Only use a 9 V alkali-manganese (alkaline) battery type IEC 6LR61.  
**Observe the +/– markings.**

When using the Water Computer for the first time all LCD symbols light up for 2 seconds when the battery is inserted (Fig. 1).

The unit is then ready for data input (Fig. 2).

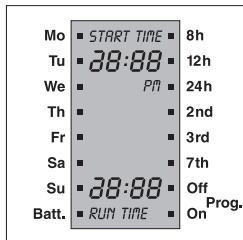


Fig. 1 All LCD symbols

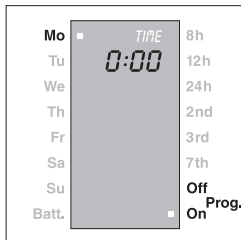


Fig. 2 Unit ready for data input

### 2. Connecting to the Tap

The Water Computer is fitted with a sleeve nut for taps with **33.3 mm (G 1)** thread.


#### Adaptor for G ¾ thread (26.5 mm)

The adaptor supplied allows the Water Computer to be connected to taps with a G ¾ thread (26.5 mm). If you are using the adaptor, screw **the adaptor onto the tap** before screwing the Water Computer onto the adaptor.

**Warning! Attach and screw on manually. Do not use pliers!**

### 3. Checking the New Battery

To check the new battery, turn on the tap and set the Water Computer to **On** (valve opens) and then shortly afterwards to **Off** (valve closes). If the battery capacity is too low a warning tone which beeps at intervals will sound.

 **To ensure that the water does not cause any damage make sure that the water flow is directed away from the Water Computer (connect hose, stand a bucket underneath, etc.).**

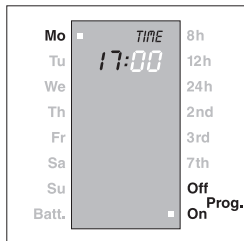
If the battery symbol does not appear, the battery has sufficient power and your water computer is now ready for use.

## 8. Programming Your Water Computer

**Important Information:** You can remove the control unit from the housing using the release button ⑨ as shown in Fig. B and program your computer somewhere other than where it is to be used, i.e. away from the tap.

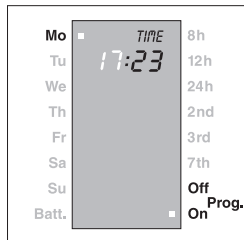
### 8.1 Entering the Current Data (Time/Day)

1. Press **Menu/O.K.**  
1 second. The hours (**TIME**) flash.
2. Enter the hours using **On/Off ▲**,  
e.g. 17:00.
3. Press **Menu/O.K.** to allow you to  
enter the minutes.

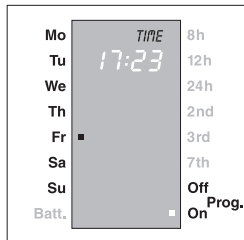


Range: 0 - 23

4. Enter the minutes using **On/Off ▲**,  
e.g. 23;  
press **Menu/O.K.** to allow you to enter  
the weekday.  
Monday (**Mo**) is followed by Tuesday  
(**Tu**) etc.

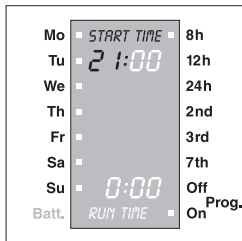


5. Enter the weekday using **On/Off ▲**,  
e.g. **Fr** for Friday.
6. Press **Menu/O.K.** to confirm  
the entered data and to move to  
**START TIME** (hour setting).



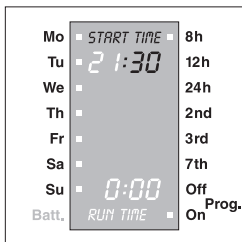
## 8.2 Entering the Watering Data (Starting Time, Watering Time, Days)

1. Set the hour for the starting time (**START TIME**) using **On/Off ▲**, e.g. **21**.  
Confirm the data you have entered and move to the minutes for the starting time (**START TIME**) using **Menu/O.K.**



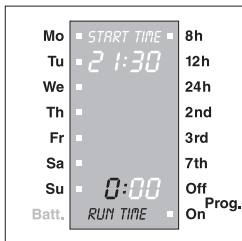
Range: 0 - 23

2. Enter the minutes for the starting time using **On/Off ▲**, e.g. **30**.  
Confirm the data you have entered and move to the watering time (hour) using **Menu/O.K.**



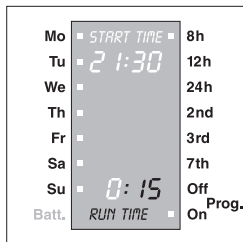
Range: 00 - 59

3. Enter the hours for the watering time (**RUN TIME**) using **On/Off ▲**, e.g. **0** hours.  
Confirm the data you have entered and move to the watering time (minutes) using **Menu/O.K.**



Range: 0 - 7

4. Enter the minutes for the watering time using **On/Off ▲**, e.g. **15** minutes. Confirm the data you have entered and move to the watering cycle using **Menu/O.K.**

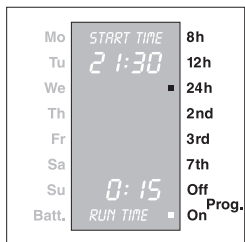


Range: 00 - 59.

The maximum watering time you can set is 7 hours and 59 minutes.

### 8.3 Setting the Water Cycles

1. Enter the watering cycles using **On/Off ▲**, e.g. watering every 24 hours (**24 h**).
2. Confirm the data you have entered and move to **On/Off-Prog.** using **Menu/O.K.**



You can set the watering for every 8, 12, 24 hours (8h, 12h, 24h), or every 2, 3 or 7 days (2nd, 3rd, 7th).

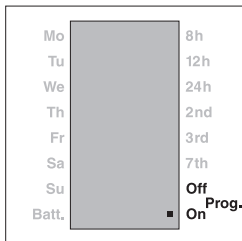
## 8.4 On/Off-Prog.

You can activate or deactivate the watering program using **On/Off-Prog.**

1. Choose the setting using **On/Off ▲**:

**Off** = Automatic watering is turned off, e.g. during a rainy spell.

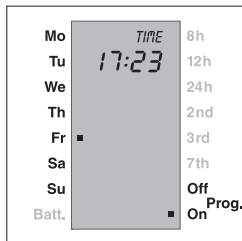
**On** = Watering programs are run.



2. Confirm the data you have entered and move back the normal display screen using **Menu/O.K.**

You have completed the programming.

The dots between the hours and minutes flash when you have finished programming the computer, the clock is running..



**Note:** You can move to the next program level (current data, watering data, On/Off-Prog., normal display) at any time during programming by pressing the **Menu/O.K.** key.

If there is an interval between data entry of more than 60 seconds the water computer automatically leaves the programming mode and the LCD shows the current time (normal display).

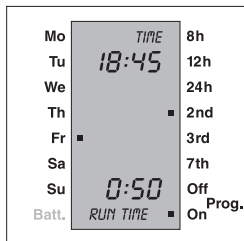
You have now successfully programmed your water computer, i.e. the integrated valve opens and closes completely automatically and your garden is watered at the times you have programmed.

## 8.5 Display During Automatic Watering

### Example:

- It is Friday (**Fr**) 18:45, the water computer is programmed for watering every 2 days (**2nd**).
- **On/Off-Prog.** is set to **On** (watering desired).
- The remaining watering time (RUN TIME) is 50 minutes.
- The dots between the hours and minutes are flashing.
- The clock is running.
- The RUN TIME is counting down.

(Fig. Display during automatic watering)



After the RUN TIME has finished the display shows normal operation.

If the valve is opened by a program it can be closed prematurely at any time by pressing the **On/Off** key ① without influencing the program data (starting time, watering time and watering days).

## 9. Read/Change Program

You can run through the program levels to check the data you have entered by repeatedly pressing the **Menu** key and select and check the program steps by pressing **O.K.**

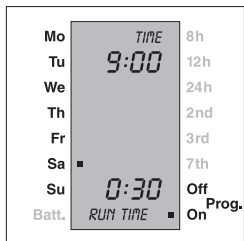
You can change the watering programs as described under “Programming”.

## 10. Manual Program-Independent man On/Off Operation

After you have entered data, you can operate your water computer manually at any time, independent of the programmed watering times, by pressing the **man On/Off** key ①.

Press the **man On/Off** key once to open the water flow. Press the same key again to close the valve.

If you do not manually close the valve, for safety reasons, watering is ended





automatically after 30 minutes. The remaining watering time (RUN TIME) is shown on the LCD display.

If the valve is opened manually and the manual watering time and a programmed watering time overlap, the programmed watering is suppressed.

## 11. Battery

### 11.1 Status Indicator

If the battery voltage falls below a **certain level** the **Batt.** indicator appears . It is possible to initiate watering manually even if the battery capacity is too low (valve no longer opens), but programmed watering times, however, are not initiated. Even if the **battery capacity is too low** to run a program, if the valve is open it will be closed.

The battery voltage is tested **during the opening pulse**. In this way you can **test the capability of the battery at any time**. To do this, simply press the **man On/Off** key . If the valve opens and the **Batt.** indicator does not appear then the battery does not have to be changed.

### 11.2 Changing the Battery

If you exchange the **battery within 100 seconds**, the data you have entered will be saved (**program saved**). When the battery is removed the LCD display extinguishes and programs will not run while the battery is being changed. When you have inserted a new battery, we recommend that you check the data as described under **“Read/Change Program”**.

If you do not insert a new battery within 100 seconds, or if the battery power was already so low that the valve no longer opened, the water computer is RESET (all program data is deleted). You must re-program your water computer. The current date / time which was previously displayed remain unchanged within the given time.

## 12. Notes on Safety and Operation



For safety reasons only a 9 V alkali-manganese battery (alkaline) type IEC 6LR61 must be used.

- The minimum water output to ensure that the Water Computer functions correctly is 20-30 l/h.  
For example, at least 10 x 2-litre Drip Heads are required to control the Micro-Drip-System.
- The battery must be exchanged in time to prevent the Water Computer failing due to a low battery when you are away for longer



periods of time. Make sure that the time the battery has been in operation and the time you are planning to be away does not add up to more than a year.

- The functional safety of the Water Computer depends on the capability of the battery. The Water Computer will only run for approx. a year if the alkali-manganese battery has a nominal voltage of at least 9 V. Check the battery before you buy it.
- To prevent water penetrating the battery compartment, the Water Computer may only be installed in a perpendicular position with the sleeve nut pointing upwards.
- Program the Water Computer with the tap turned off. In this way you can avoid getting wet when trying out the “man On/Off” function. You can remove the control unit from the housing to program the Water Computer.
- The control unit must be attached to the Water Computer during operation.
- Only use the Water Computer outdoors.  
Warning! The Water Computer must not be used indoors.
- The Water Computer must be stored in a dry place away from frost before the frosty season begins.
- The cover provided for the operating display must be used as shown in Fig. B. To protect the operating display against the weather the cover must be flipped over when you have finished programming the computer (Fig. B).  
Stick the programming help provided on the inside of the display cover.
- At high temperatures (over 60 °C at the display) the LCD display may extinguish. This does not affect the program in any way.  
When the computer cools down the LCD display illuminates again.
- The max. temperature for the water flow is 40 °C.
- The minimum operating pressure is 0,5 bar, the maximum operating pressure is 12 bar.
- Check the filter in the sleeve nut ⑬ regularly and clean if necessary.
- Avoid tensile strain.  
Do not pull the hose connected to the Water Computer.
- Only use clear fresh water.

## 13. Options

### 13.1. Anti-Theft Protection (Fig. D)

To protect your Water Computer against theft, the GARDENA anti-theft protection (16) (1815-00.791.00) is available at GARDENA Service. The bracket on the anti-theft protection is fitted onto the back of the unit. Note that the screw included cannot be loosened once it has been screwed in. The bracket can be used, for example, to attach a chain.

### 13.2 GARDENA Soil Moisture Sensor (Fig. E)

Together with the GARDENA Soil Moisture Sensor (Art. No. 1188) watering is controlled considering the soil moisture.

#### Assembly

The Soil Moisture Sensor is connected to the socket (10) on the back of the control unit (Fig. A).

#### How it Works

If the connected Soil Moisture Sensor indicates there is sufficient moisture then the watering program is either interrupted or not initiated.

**Note: Manual watering (man On/Off) is still possible.**

### 13.3 GARDENA Rain Sensor (Fig. F)

Together with the GARDENA Rain Sensor (Art. No. 1189) watering is controlled considering natural precipitation.

#### Assembly

The Rain Sensor, as an alternative to the Soil Moisture Sensor, can be connected to the connection socket (10) on the back of the control unit (Fig. A).

#### How it Works

If the rain sensor indicates an adequate amount of rain, then the watering program is interrupted or not initiated.

**Note: Manual watering (man On/Off) is still possible.**

### 13.4 GARDENA Automatic Water Distributor (Fig. G)

Connecting the GARDENA Automatic Water Distributor (Art. No. 1198) allows you to control up to 6 watering lines with your Water Computer Plus C 1030.

Each output can be watered every 2nd day. Therefore, 3 outputs can be watered every day every 8 hours.

This is ideal where there is an insufficient amount of water or where individual areas of the garden have varying water requirements. It allows all watering lines to be operated one after another.

## 14. Faults

Fault	Possible Cause	Remedy
LCD display not lit.	Battery inserted incorrectly	Check +/– markings.
	Flat battery.	Insert a new <b>alkaline battery</b> and test by pressing the <b>On</b> key.
	Temperature at display is above 60 °C.	Display illuminates again when temperature falls, test function by pressing <b>On/Off</b> .
Not able to enter watering data (hours, minutes, starting time, time, days).	Current data hours, (minutes, day) not complete.	Set current data.
Not able to open manually using man key.	Weak battery, <b>Batt.</b> indicator appears.	Insert a new <b>alkaline battery</b> .
	Tap turned off.	Turn on tap.
Watering not initiated.	Weak battery, <b>Batt.</b> indicator appears.	Insert a new <b>alkaline battery</b> .
	Watering data (starting time / duration / days) not complete.	Check data and complete if necessary.
	<b>On/Off-Prog.</b> active – set to <b>Off</b> .	Restart the program: Set to <b>On</b> (see “ <b>On/Off-Prog.</b> ”).
	Data input / changes made while the program was starting or immediately before.	Input / change data before or after the set start times.
	Valve was opened by manual <b>On</b> , program was not executed.	Avoid possible program overlaps.

<b>Fault</b>	<b>Possible Cause</b>	<b>Remedy</b>
<b>Watering not initiated.</b>	Tap turned off.	Turn on tap.
	Soil Moisture / Rain Sensor indicates sufficient moisture.	If dry, check setting/ position of the Soil Moisture / Rain Sensor.
<b>Battery flat after working for a short time.</b>	<b>Not</b> an alkaline battery.	Use an <b>alkaline battery</b> .
<b>Undefined LCD display after battery has been changed.</b>	Battery was not changed within 100 seconds or the battery was already run down so that there was no longer an opening pulse.	RESET the water computer by simultaneously pressing the <b>▲</b> and <b>O.K.</b> keys. Re-enter data as described.

If you have any problems with your Water Computer, please contact our Customer Service.

**Disposal** (in accordance with RL2002/96/EC)



Device may not be added to normal household refuse but must be disposed of in the technically correct way.

**We expressly point out that, in accordance with the product liability law, we are not liable for any damage caused by our units if it is due to improper repair or if parts exchanged are not original GARDENA parts or parts approved by us, and, if the repairs were not carried out by a GARDENA Service Centre or an authorised specialist. The same applies to spare parts and accessories.**

# EU Certificate of Conformity

The undersigned

GARDENA Manufacturing GmbH · Hans-Lorensen-Str. 40 · D-89079 Ulm

hereby certifies that, when leaving our factory, the unit indicated below is in accordance with the harmonised EU guidelines, EU standards of safety and product specific standards.

This certificate becomes void if the unit is modified without our approval.

**Description of the unit:**

Water Computer

**Year of CE marking:**

1998

**Type:**

Plus C 1030

Ulm, 17.07.1998

**Art. no.:** 1810

**EU directives:**

Electromagnetic Compatibility  
2004/108/EC  
Directive 93/68/EC



Thomas Heini  
Technical Dept. Manager

**D**

## Garantie

GARDENA gewährt für dieses Produkt 2 Jahre Garantie (ab Kaufdatum). Diese Garantieleistung bezieht sich auf alle wesentlichen Mängel des Gerätes, die nachweislich auf Material- oder Fabrikationsfehler zurückzuführen sind. Sie erfolgt durch die Ersatzlieferung eines einwandfreien Gerätes oder durch die kostenlose Reparatur des eingesandten Gerätes nach unserer Wahl, wenn folgende Voraussetzungen gewährleistet sind:

- Das Gerät wurde sachgemäß und laut den Empfehlungen in der Betriebsanleitung behandelt.
- Es wurde weder vom Käufer noch von einem Dritten versucht, das Gerät zu reparieren.

Defekte am Bewässerungscomputer durch falsch eingelegte oder ausgelaufene Batterien sind von der Garantie ausgeschlossen.

Diese Hersteller-Garantie berührt die gegenüber dem Händler/Verkäufer bestehenden Gewährleistungsansprüche nicht.

Im Servicefall schicken Sie bitte das defekte Gerät zusammen mit einer Kopie des Kaufbelegs und einer Fehlerbeschreibung per Abhol-Service (nur in Deutschland) oder frankiert an die auf der Rückseite angegebene Serviceadresse.

Unfreie Paketeinsendungen werden im Postverteilzentrum ausgefiltert und erreichen uns nicht.

Nach erfolgter Reparatur senden wir das Gerät frei an Sie zurück.

**GB**

## Guarantee

GARDENA guarantees this product for 2 years (from date of purchase). This guarantee covers all serious defects of the unit that can be proved to be material or manufacturing faults. Under warranty we will either replace the unit or repair it free of charge if the following conditions apply:

- The unit must have been handled properly and in keeping with the requirements of the operating instructions.
- Neither the purchaser or a non-authorised third party have attempted to repair the unit.

Defects in the Water Computer attributable to batteries which have been incorrectly installed or are leaking are excluded from the warranty provisions.

This manufacturer's guarantee does not affect the user's existing warranty claims against the dealer/seller.

If covered under warranty, please contact our Customer Service or return the defective unit together with a short description of the problem and a copy of the receipt directly to one of the GARDENA Service Centres listed on the back of this leaflet.

**Deutschland / Germany**

GARDENA  
Manufacturing GmbH  
Service Center  
Hans-Lorenser-Straße 40  
D-89079 Ulm  
Produktfragen:  
(+49) 7 31 490-123  
Reparaturen:  
(+49) 7 31 490-290  
service@gardena.com

**Argentina**

Argensem® S.A.  
Calle Colonia Japonesa s/n  
(1625) Loma Verde  
Escobar, Buenos Aires  
Phone: (+54) 34 88 49 40 40  
info@argensem.com.ar

**Australia**

Nylex Consumer Products  
50-70 Stanley Drive  
Somerton, Victoria, 3062  
Phone: (+61) 1800 658 276  
spare.parts@nylex.com.au

**Austria / Österreich**

GARDENA  
Österreich Ges.m.b.H.  
Stettnerweg 11-15  
2100 Korneuburg  
Tel.: (+43) 22 62 7 45 45 36  
kundendienst@gardena.at

**Belgium**

GARDENA Belgium NV/SA  
Sterrebeekstraat 163  
1930 Zaventem  
Phone: (+32) 2 7 20 92 12  
Mail: info@gardena.be

**Brazil**

Palash Comércio e  
Importação Ltda.  
Rua América Brasileira,  
2414 - Chácara Sto Antonio  
São Paulo - SP - Brasil -  
CEP 04715-005  
Phone: (+55) 11 5181-0909  
eduardo@palash.com.br

**Bulgaria**

DENEX LTD.  
2 Luis Ahalier Str. - 7th floor  
Sofia 1404  
Phone: (+359) 2 958 18 21  
office@denex-bg.com

**Canada**

GARDENA Canada Ltd.  
100 Summerlea Road  
Brampton, Ontario  
Canada L6T 4X3  
Phone: (+1) 905 792 93 30  
info@gardenacanada.com

**Chile**

Antonio Martinic y Cia Ltda.  
Cassillas 272  
Centro de Cassillas  
Santiago de Chile  
Phone: (+56) 2 20 10 708  
garfar\_cl@yahoo.com

**Costa Rica**

Compania Exim  
Euroberoamericana S.A.  
Los Colegios, Moravia,  
200 metros al Sur del Colegio  
Saint Francis - San José  
Phone: (+506) 297 6883  
exim\_euro@racsa.co.cr

**Croatia**

KLIS d.o.o.  
Stancecva 79  
10419 Vukovina  
Phone: (+385) 1 622 777 0  
gardena@klis-trgovina.hr

**Cyprus**

FARMOKIPIKI LTD  
P.O. Box 7098  
74, Digeni Akrita Ave.  
CY-1641 Nicosia  
Phone: (+357) 22 75 47 62  
condam@spidernet.com.cy

**Czech Republic**

GARDENA spol. s r.o.  
Řípská 20a, č.p. 1153  
627 00 Brno  
Phone: (+420) 800 100 425  
gardena@gardenabrno.cz

**Denmark**

GARDENA Norden AB  
Salgsafdeling Danmark  
Box 9003  
S-200 39 Malmö  
info@gardena.dk

**Finland**

Habitec Oy  
Martinkyläntie 52  
01720 Vantaa

**France**

GARDENA  
PARIS NORD 2  
69, rue de la Belle Etoile  
BP 57080  
ROISSY EN FRANCE  
95948 ROISSY CDG CEDEX  
Tél. (+33) 0826 101 455  
service.consommateurs@  
gardena.fr

**Great Britain**

GARDENA UK Ltd.  
27-28 Brenkley Way  
Blezard Business Park  
Seaton Burn  
Newcastle upon Tyne  
NE13 6DS  
info@gardena.co.uk

**Greece**

Agrokop  
Psomadopoulos S.A.  
Ifaistou 33A  
Industrial Area Koropi  
194 00 Athens Greece  
V.A.T. EL093474846  
Phone: (+30) 210 66 20 225  
service@agrokop.gr  
www.agrokop.gr

**Hungary**

GARDENA  
Magyarország Kft.  
Késmárk utca 22  
1158 Budapest  
Phone: (+36) 80 20 40 33  
gardena@gardena.hu

**Iceland**

Ó. Johnson & Kaaber  
Tunguhalsi 1  
110 Reykjavik  
ooj@ojk.is

**Ireland**

Michael McLoughlin & Sons  
Hardware Limited  
Long Mile Road  
Dublin 12

**Italy**

GARDENA Italia S.p.A.  
Via Donizetti 22  
20020 Lainate (Mi)  
Phone: (+39) 02.93.94.79.1  
info@gardenaitalia.it

**Japan**

KAKUICHI Co. Ltd.  
Sumitomo Realty &  
Development Kojimachi  
BLDG., 8F  
5-1 Nibanncho, Chiyoda-ku  
Tokyo 102-0084  
Phone: (+81) 33 264 4721  
m\_ishihara@kaku-ichi.co.jp

**Luxembourg**

Magasins Jules Neuberger  
Grand Rue 30  
Boîte postale 12  
L-2010 Luxembourg  
Phone: (+352) 40 14 01  
info@neuberger.lu

**Netherlands**

GARDENA Nederland B.V.  
Postbus 50176  
1305 AD ALMERE  
Phone: (+31) 36 521 00 00  
info@gardena.nl

**Neth. Antilles**

Jonka Enterprises N.V.  
Sta. Rosa Weg 196  
P.O. Box 8200  
Curaçao  
Phone: (+599) 9 767 66 55  
pgm@jonka.com

**New Zealand**

NYLEX New Zealand Limited  
Building 2  
118 Savill Drive  
Mangere, Auckland  
Phone: (+64) 0 800 22 00 88  
spare.parts@nylex.com.au

**Norway**

GARDENA Norden AB  
Salgskontor Norge  
Karihaugveien 89  
1086 Oslo  
info@gardena.no

**Poland**

GARDENA Polska Sp. z o.o.  
Szymanów 9 d  
05-532 Baniocza  
Phone: (+48) 22 727 56 90  
gardena@gardena.pl

**Portugal**

GARDENA Portugal Lda.  
Recta da Granja do Marquês  
Edif. GARDENA Algueirão  
2725-596 Mem Martins  
Phone: (+351) 21 922 85 30  
info@gardena.pt

**Romania**

MADEX INTERNATIONAL SRL  
Soseaua Odaii 117-123  
Sector 1,  
București, RO 013603  
Phone: (+40) 21 352 76 03  
madex@ines.ro

**Russia / Россия**

ООО ГАРДЕНА PVC  
123007, г. Москва  
Хорошевское шоссе, д. 32А  
Тел.: (+7) 495 647 25 10  
info@gardena-rus.ru

**Singapore**

Hy - Ray PRIVATE LIMITED  
40 Jalan Pemimpin  
#02-08 Tat Ann Building  
Singapore 577185  
Phone: (+65) 6253 2277  
hyray@singnet.com.sg

**Slovak Republic**

GARDENA Slovensko, s.r.o.  
Panónska cesta 17  
851 04 Bratislava  
Phone: (+421) 263 453 722  
info@gardena.sk

**Slovenia**

GARDENA d.o.o.  
Brodišče 15  
1236 Trzin  
Phone: (+386) 1 580 93 32  
servis@gardena.si

**South Africa**

GARDENA  
South Africa (Pty.) Ltd.  
P.O. Box 11534  
Vorna Valley 1686  
Phone: (+27) 11 315 02 23  
sales@gardena.co.za

**Spain**

GARDENA IBÉRICA S.L.U.  
C/ Basauri, nº 6  
La Florida  
28023 Madrid  
Phone: (+34) 91 708 05 00  
(4 líneas)  
atencioncliente@gardena.es

**Sweden**

GARDENA Norden AB  
Försäljningskontor Sverige  
Box 9003  
200 39 Malmö  
info@gardena.se

**Switzerland / Schweiz**

GARDENA (Schweiz) AG  
Bitziberg 1  
8184 Bachenbülach  
Phone: (+41) 848 800 464  
info@gardena.ch

**Turkey**

GARDENA / Dost Diş Ticaret  
Mümessillik A.Ş. Sanayi  
Çad. Adil Sokak No. 1  
Kartal - İstanbul  
Phone: (+90) 216 38 93 939  
info@gardena-dost.com.tr

**Ukraine / Украина**

ALTSEST JSC  
4 Petropavlivska Street  
Petropavlivska  
Borschahivka Town  
Kyivo Svyatoshyn Region  
08130, Ukraine  
Phone: (+380) 44 459 57 03  
upyr@altsest.kiev.ua

**USA**

Melnor Inc.  
3085 Shawnee Drive  
Winchester, VA 22604  
Phone: (+1) 540 722-9080  
service\_us@melnor.com

1810-29.960.06/0507  
© GARDENA  
Manufacturing GmbH  
D-89070 Ulm  
<http://www.gardena.com>