

ELECTROLUX OUTDOOR PRODUCTS

PNC	Type/Prefix/nd	Model	Brand
953900616	02,03	SUPREME 300E COMFORT	McCULLOCH
953900568	02,03	SUPREME 300 TRIO	McCULLOCH
953900618	02,03	B 300EX	PARTNER
953900569	02,03	B 300 TRIO	PARTNER

Number of Pages 1 of 5

Factory: IIQ - Valmadrera	Product Group: OP 93
Publication Number: EIPL2005_VP0504018	Petrol Portable
Publication Date: 20/04/05	Sub Group 9433

Item	P/N McC	P/N ELX	Qty	DESCRIPTION	Item	P/N McC	P/N ELX	Qty	DESCRIPTION					
FIGURE 1														
1	242861	538242861	1	handle ass'y	B 49	249155	538249155	1	guard ass'y					
2	• 242862	538242862	1	rear handle (right half)	B 50	• 242644	538242644	1	guard extension					
3	• 242863	538242863	1	rear handle (left half)	51	• 240862	538240862	1	screw M5x14					
C 4	• 242864	538242864	1	front handle	53	• 242752	538242752	1	lower clamp					
5	• 242865	538242865	1	throttle trigger	54	• 242629	538242629	1	upper clamp					
6	• 242866	538242866	1	safety lever	55	• 227563	538227563	4	screw M5x16					
7	• 242868	538242868	1	trigger spring	56	• 241973	538241973	1	line cutter					
8	• 242869	538242869	1	front handle lock spring	57	• 229208	538229208	2	nut					
C 9	• 242870	538242870	1	front handle button	FIGURE 2									
C 10	• 242872	538242872	1	wires ass'y	A 1	538249346	538249346	1	string head					
C 11	• 242910	538242910	1	wire	2	• 249374	538249374	1	set screw					
C 12	•• 242439	538242910	1	switch	C 3	• 249375	538249375	1	reel					
13	• 242648	538242648	1	cap	C 4	• 249376	538249376	2	ratchet					
14	• 235248	538235248	1	washer	C 5	• 249377	538249377	1	washer					
15	• 240862	538240862	7	screw	C 6	• 249378	538249378	1	return spring					
16	• 242873	538242873	1	harness ring	C 7	• 249379	538249379	1	button					
17	229632	538229632	2	screw	C 8	• 249380	538249380	2	eyelet					
C 18	242871	538242871	1	barrier	FIGURE 3									
19	242931	538242931	1	barrier ring	B 1	241155	538241155	1	flange					
20	243290	538243290	1	shaft retainer ring	A 2	241006	538241006	1	plate blade					
21	• 243156	538243156	1	upper shaft assy	A 3	236596	538236596	1	cup					
22	228192	538228192	3	bushing assy	A 4	240481	538240481	1	nut					
23	243178	538243178	1	shaft	FIGURE 3									
24	11249	538011249	1	shaft joint	B 1	241155	538241155	1	flange					
25	11248	538011248	1	bushing	A 2	241006	538241006	1	plate blade					
26	229077	538229077	1	screw M5x18	A 3	236596	538236596	1	cup					
27	236381	538236381	1	screw M5x10	A 4	240481	538240481	1	nut					
28	243180	538243180	1	joint	FIGURE 3									
29	235912	538235912	1	nut M6	B 1	241155	538241155	1	flange					
30	502203802	502203802	1	knob	A 2	241006	538241006	1	plate blade					
31	242146	538242146	1	screw M6x40	A 3	236596	538236596	1	cup					
32	249721	538249721	1	lower shaft assy	A 4	240481	538240481	1	nut					
33	• 243395	538243395	1	button	FIGURE 3									
34	• 243396	538243396	1	rivet	B 1	241155	538241155	1	flange					
35	• 243206	538243206	1	shaft sheat	A 2	241006	538241006	1	plate blade					
36	• 242831	538242831	2	shaft sheat retainer ring	A 3	236596	538236596	1	cup					
37	243211	538243211	1	transmission shaft+retainer	A 4	240481	538240481	1	nut					
38	228926	538228926	1	self locking nut M6	FIGURE 3									
39	242728	538242728	1	gear box	B 1	241155	538241155	1	flange					
40	• 240151	538240151	1	screw M8x10	A 2	241006	538241006	1	plate blade					
41	235802	538235802	1	screw 5x14	A 3	236596	538236596	1	cup					
42	235803	538235803	1	screw 5x25	A 4	240481	538240481	1	nut					
43	236529	538236529	2	split washer	FIGURE 3									
44	242729	538242729	1	flange adapter	B 1	241155	538241155	1	flange					
45	240688	538240688	3	screw M5 and washer	A 2	241006	538241006	1	plate blade					
A 46	242815	538242815	1	flange	A 3	236596	538236596	1	cup					
B 47	242823	538242823	1	spacer	A 4	240481	538240481	1	nut					
A 48			1	string head	FIGURE 3									

A=ALTA ROTAZIONE
B=MEDIA ROTAZIONE
C=ALTA ROTAZIONE

A=HIGH MOVING
B=MEDIUM MOVING
C=SLOW MOVING

A=HAUTE DEMANDE
B=MOYENNE DEMANDE
C=BASSE DEMANDE

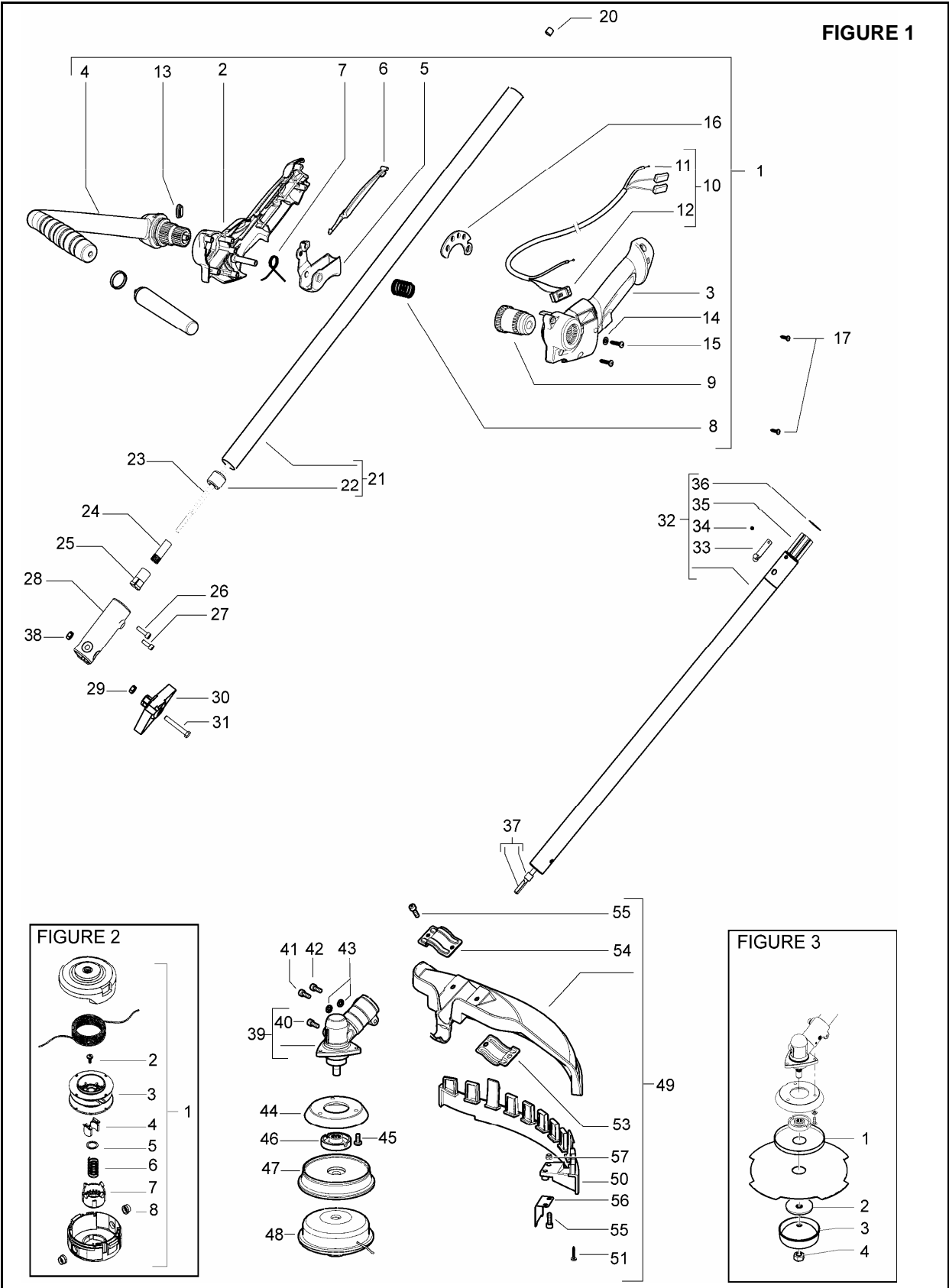
A=GROBE NACHFRAGE
B=MITTELMAESSIGE
C=WENIGE NACHFRAGE

NUOVI CODICI

NEW P. NUMBERS

NOUVELLES REFERENCES

NEU CODEX



Item	P/N McC	P/N ELX	Qty	DESCRIPTION
------	---------	---------	-----	-------------

Item	P/N McC	P/N ELX	Qty	DESCRIPTION
------	---------	---------	-----	-------------

FIGURE 4

C 1	242848	538242848	1	filter cover
A 2	242888	538242888	1	air filter
3	235808	538235808	2	screw M5x50
4	235248	538235248	2	washer M5
C 5	242847	538242847	1	filter housing
C 6		FIGURE 5	1	carburettor
A 7	242851	538242851	1	spacer gasket
8	242173	538242173	2	screw M5x30
9	235248	538235248	2	washer M5
C 10	242849	538242849	1	spacer
B 11	242860	538242860	1	cylinder gasket
12	235642	538235642	2	nut M5
13	242962	538242962	1	muffler shield
C 14	242131	538242131	1	muffler
B 15	242859	538242859	1	muffler gasket
16	242037	538242037	2	muffler stud bolt
B 17	241793	538241793	1	clutch ass'y
18	• 241789	538241789	1	clutch hub
A 19	• 241794	538241794	2	spring
20	• 241743	538241743	2	clutch shoe
21	241604	538241604	1	clutch dust shield
22	243311	538243311	1	flywheel
C 23	249727	538249727	1	ignition coil ass'y
24	• 242959	538242959	1	switch wire
25	242891	538242891	1	ground wire
26	235806	538235806	2	screw M5x20
27	242895	538242895	1	wires protection
28	242802	538242802	1	engine crankcase
C 29	241594	538241594	2	bearing
30	243486	538243486	1	crankshaft ass'y
C 32	235742	538235742	1	needle bearing
C 33	241784	538241784	1	starter pawl ass'y
34	• 111088	538111088	1	snap ring
35	• 241782	538241782	1	spring
36	• 241781	538241781	1	pawl
37	241624	538241624	1	nut M8
C 38	249179	538249179	1	piston kit
B 39	• 242602	538242602	1	piston ring
40	• 241735	538241735	1	piston pin
41	• 235008	538235008	2	snap ring
42	235803	538235803	4	screw M5x25
C 43	243076	538243076	1	cylinder
A 44	322208	538322208	1	RDJ6J spark plug
C 45	242994	538242994	2	seals

C 45	242889	538242889	1	fuel tank ass'y
B 46	• 229789	538229789	1	hose
B 47	• 242527	538242527	1	primer bulb hose
A 48	93720	538093720	1	fuel pickup
B 49	242484	538242484	1	fuel cap ass'y
B 50	• 236564	538236564	1	cap seal
51	242038	538242038	1	tank grommet
52	242039	538242039	1	tank grommet
C 53	242886	538242886	1	starter ass'y
54	• 241077	538241077	1	screw 4x14
55	• 241703	538241703	1	washer
B 56	• 241620	538241620	1	starter pulley
A 57	• 241746	538241746	1	starter rope
58	• 242852	538242852	1	starter handle
B 59	• 241619	538241619	1	starter spring
60	228260	538228260	3	bushing
61	241963	538241963	3	screw M4x22
62	240862	538240862	3	screw 4x18
C 63	242887	538242887	1	joint ass'y
64	• 235806	538235806	1	screw 5x20
65	• 235216	538235216	1	nut
66	229632	538229632	1	screw 3.5x13
67	241617	538241617	4	bushing
68	241963	538241963	4	screw 4x22
69	242845	538242845	1	engine cover

FIGURE 5

WALBRO WYJ358

B	242885	538242885	1	carburetor WYJ538
A 1	• 247955	538247955	1	repair kit K20 WYJ
C 2	•• 247956	538247956	1	repair kit K10 WYJ
C 3	• 225834	538225834	1	primer
C 4	• 247957	538247957	1	valve
C 5	• 247958	538247958	1	spring
C 6	• 249419	538249419	1	pumping body
C 7	• 249418	538249418	1	valve
C 8	• 249417	538249417	1	jet

A=ALTA ROTAZIONE
B=MEDIA ROTAZIONE
C=ALTA ROTAZIONE

A=HIGH MOVING
B=MEDIUM MOVING
C=SLOW MOVING

A=HAUTE DEMANDE
B=MOYENNE DEMANDE
C=BASSE DEMANDE

A=GROBE NACHFRAGE
B=MITTELMAESSIGE
C=WENIGE NACHFRAGE

NUOVI CODICI

NEW P. NUMBERS

NOUVELLES REFERENCES

NEU CODEX

Service

FIGURE 4

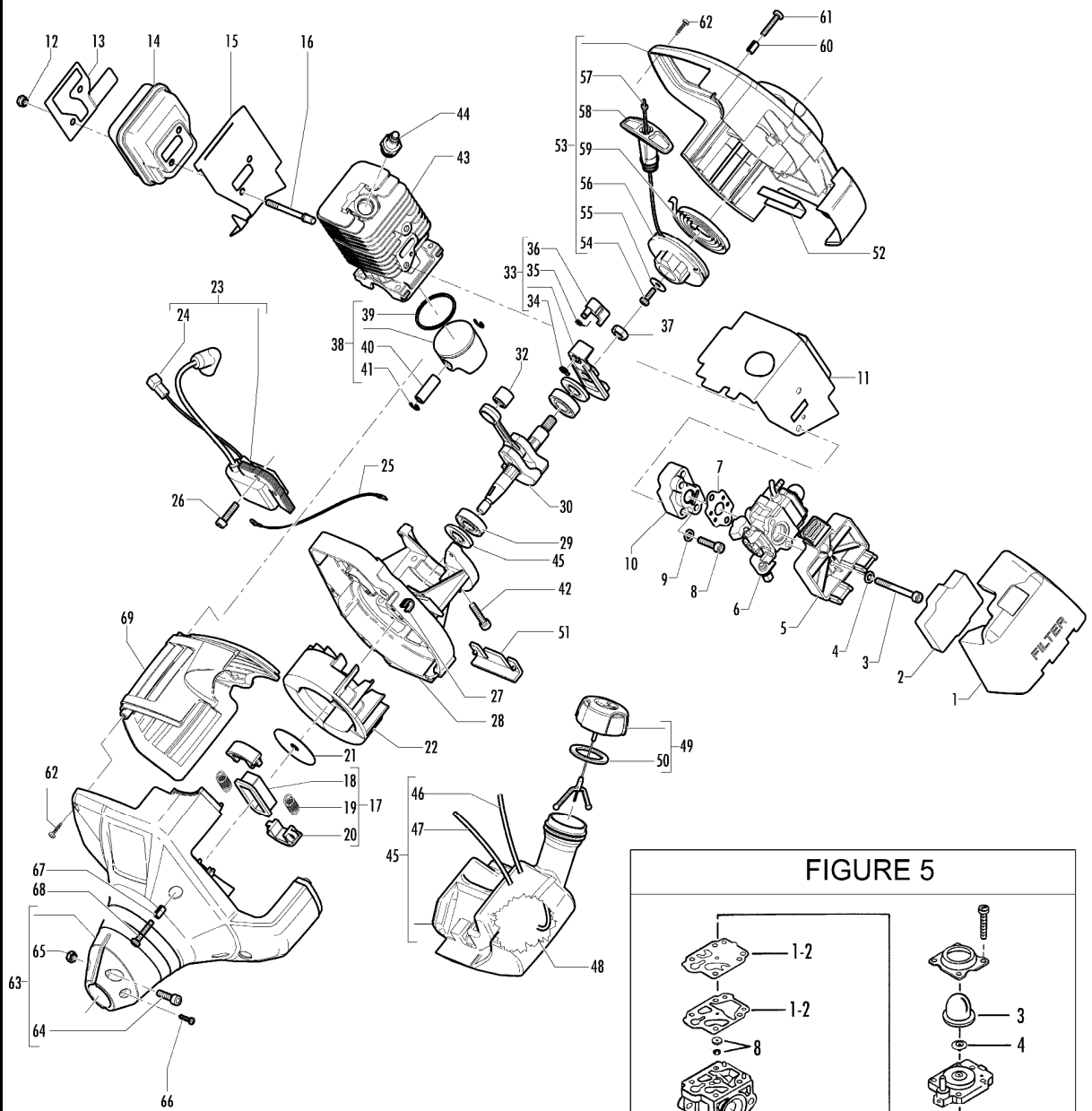
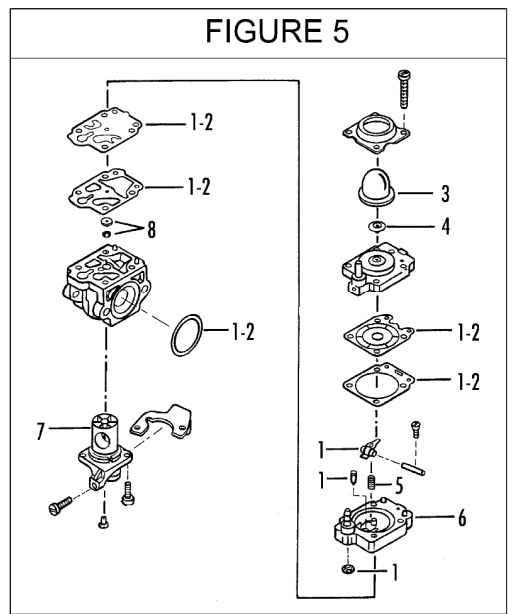


FIGURE 5



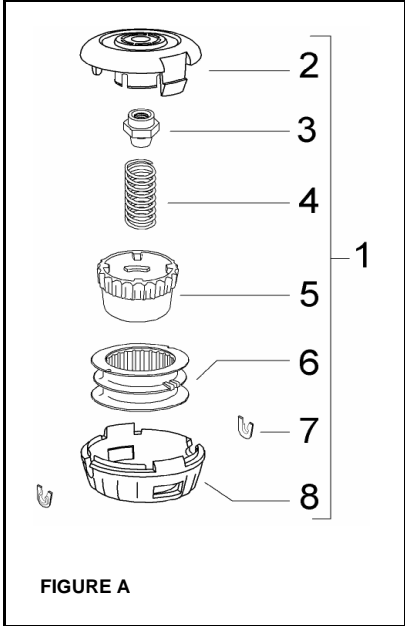


FIGURE A

A	1	531025001	531025001	1	P 25 trimmer head
	2	• 537419302	537419302	1	body
	3	• 537338901	537338901	1	adapter T25
C	4	• 537338801	537338801	1	spring T25
C	5	• 537419601	537419601	1	knob
C	6	• 537419501	537419501	1	spool whitout line
C	7	• 537419701	537419701	2	bushing
	8	• 537419401	537419401	1	cover

A=ALTA ROTAZIONE
 B=MEDIA ROTAZIONE
 C=ALTA ROTAZIONE
 NUOVI CODICI

A=HIGH MOVING
 B=MEDIUM MOVING
 C=SLOW MOVING
 NEW P. NUMBERS

A=HAUTE DEMANDE
 B=MOYENNE DEMANDE
 C=BASSE DEMANDE
 NOUVELLES REFERENCES

A=GROBE NACHFRAGE
 B=MITTELMAESSIGE
 C=WENIGE NACHFRAGE
 NEU CODEX