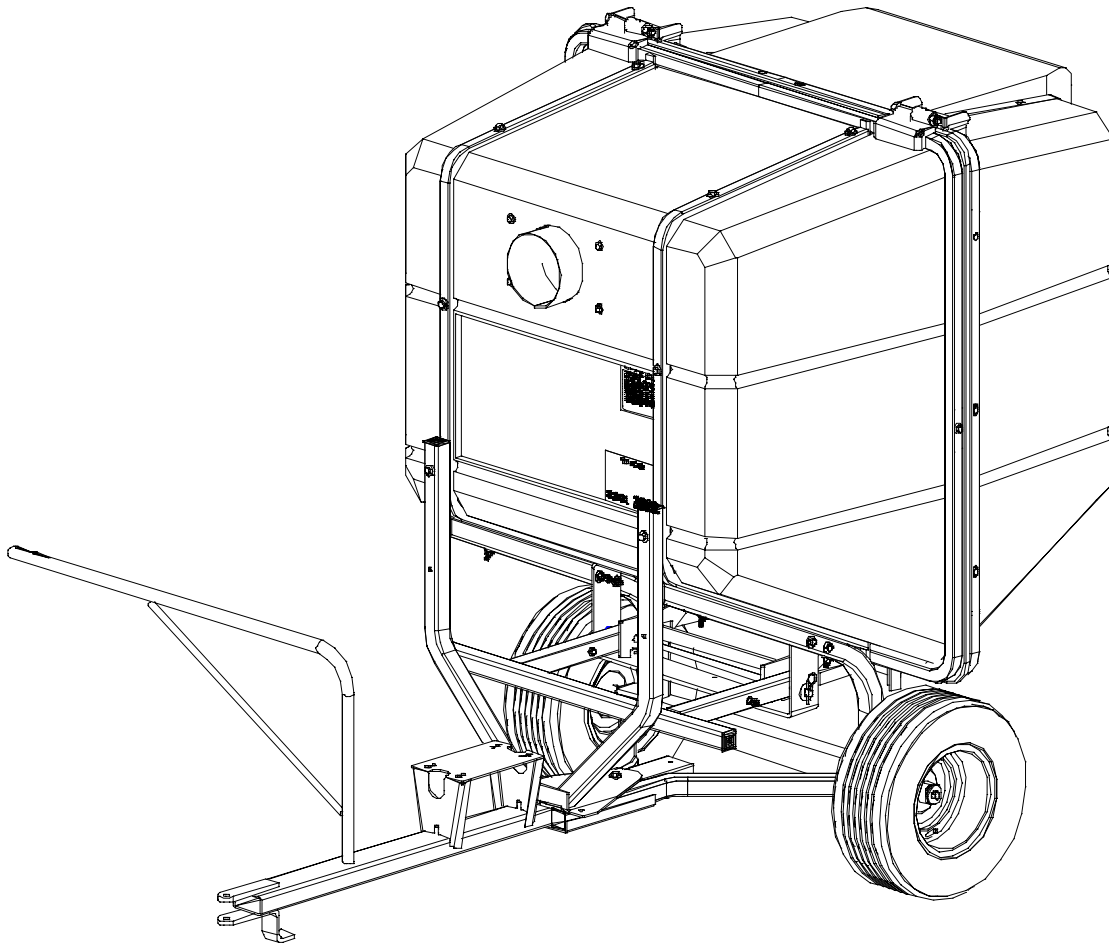




V533/533CV ClamShell Collection System

Owner's Manual



Models: ER10530
ER10531
ER11530
ER11531

Please read these instructions carefully and make sure you understand them before using the machine.

Index

Operator's Guide

Specifications	3
Features and Controls	4
General Information	5
Safety Procedures	5
Safety and Instruction Decals	7
Decal Placement	8
Unpacking Instructions	9
Removing Contents of Main Carton	9
Removing Contents of Small Parts Box and Hardware Package	10
Assembly Instructions	11
Attaching Hex Standoff Assemblies	11
Attaching Rear Hinges to Rear Shell Assembly	12
Attaching Gas Springs to Front Shell Assembly	13
Attaching the Latch Bar	14
Attaching the Drawbar and Hose Hanger	15
Attaching the Inlet	16
Mounting the Powerhead	17
Hose Attachment	17
Hose Trimming	17
Servicing the Engine	18
Pre-Start Check	18
Starting the Engine	18
Operating the Vacuum	18

Maintenance and Service Instructions

Transport	19
Cleaning and Washing	19
Storage	19
Preventative Maintenance Schedule	19
Engine Service and Maintenance	20
Caring for Vacuum Hoses	20
Cleaning Exhaust Screen	20
Trouble Shooting Guide	21

Replacement Parts

Unit Assembly	22
Replacement Parts List	23

WARNING: Engine exhaust, some of its constituents, and certain vehicle components contain or emit chemicals known to the State of California to cause cancer and birth defects or other reproductive harm.

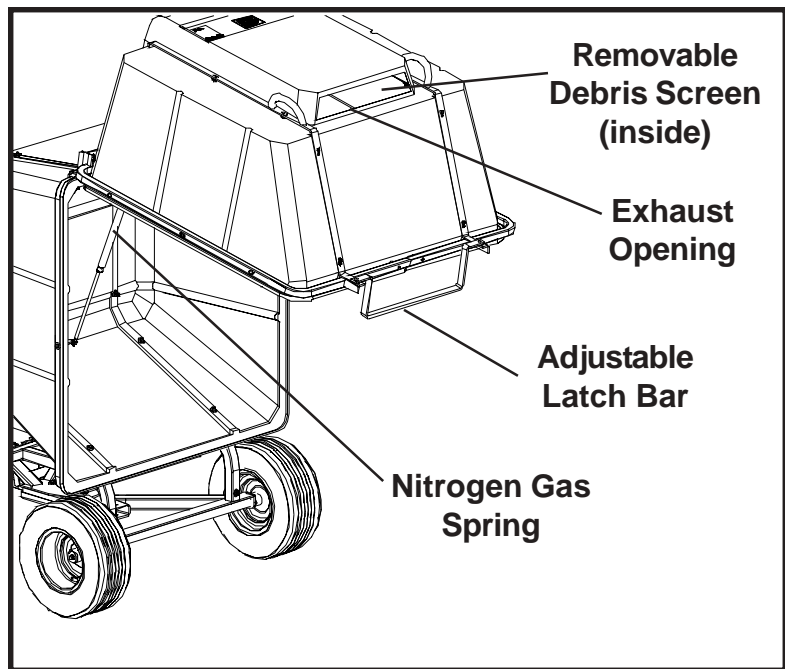
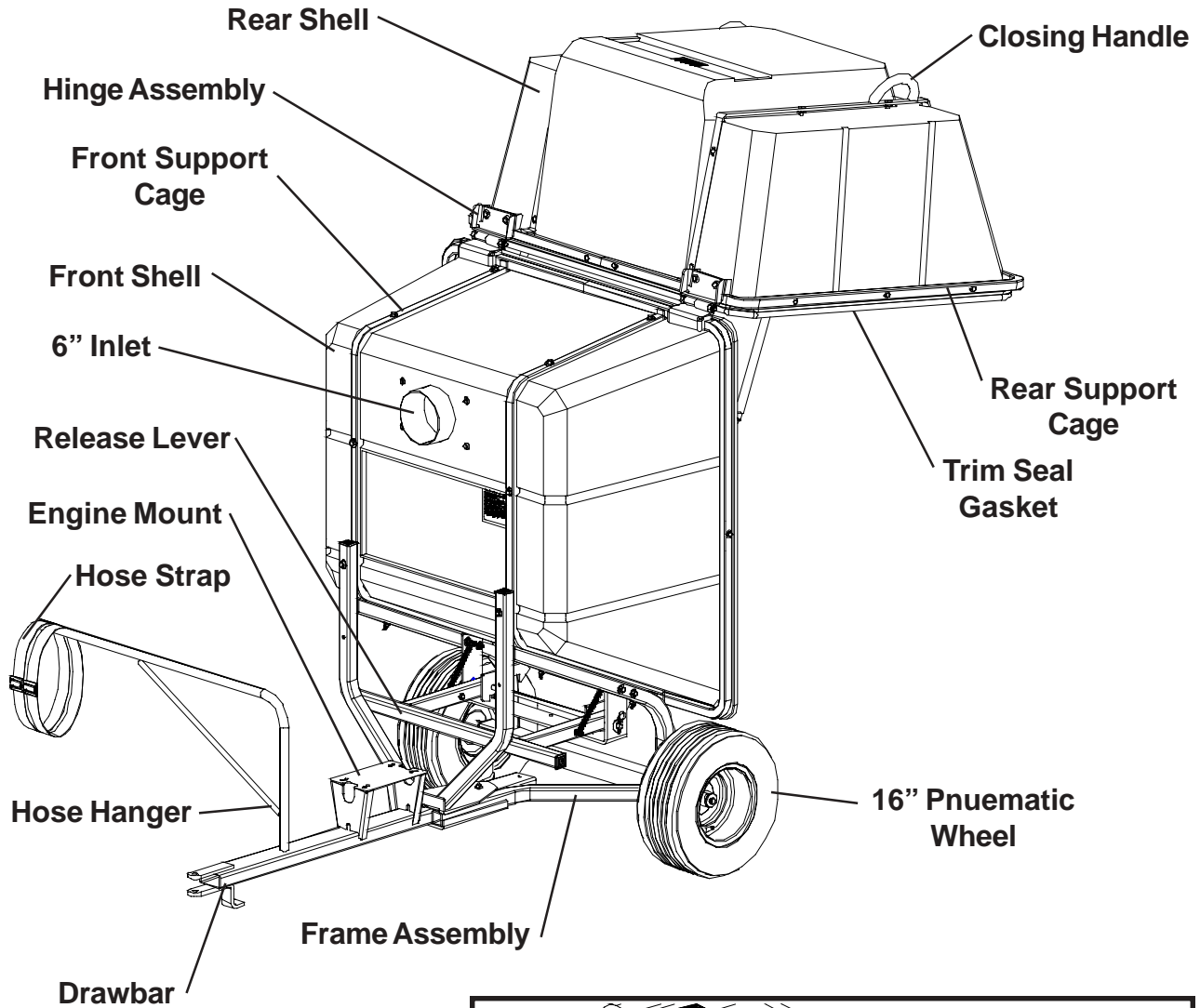
Operator's Guide

Specifications

Height	62 in. (156 cm)
Length (V533)	82 in. (208 cm.)
Length (533CV)	88 in. (224 cm.)
Width (without lower hose and hose hanger)	44 in. (112 cm.)
Engine Options	5.5 hp Briggs & Stratton Intek 5.5 hp Briggs & Stratton I/P
Weight (without vacuum assembly)	242 lb. (110 kg.)
Weight (with 5.5 hp B&S powerhead)	307 lb. (139 kg.)
Weight (with 5 hp B&S Ch-Vac powerhead)	360 lb. (163 kg.)
Total Capacity	33 cu ft (27.6 bu. or 0.93 m ³)
Usable Capacity	30 cu ft (25.1 bu. or 0.85 m ³)
Hose	6 in. (15 cm.) upper and lower

Operator's Guide

Features and Controls



Operator's Guide

General Information

This manual will assist you in the safe operation and proper maintenance of your BlueBird equipment. Read it thoroughly before attempting to operate the machine. Call your dealer or BlueBird Customer Service if additional information is required.

The following safety symbols are used throughout the manual to alert you to information about unsafe actions or situations:

DANGER indicates immediate hazards that may result in severe injury or death.

WARNING indicates unsafe actions or situations that may cause severe injury, death, and/or major equipment or property damage.

CAUTION indicates unsafe actions or situations that may cause injury and/or minor equipment or property damage.

This equipment should not be modified without the manufacturer's prior written authorization. Doing so may not only affect the equipments' performance and durability, but also create safety hazards for the operator and the surroundings. Warranty will be void if changes are made to the equipment without the manufacturer's prior written authorization.

Safety Procedures

1 - Training:

- Read the Operator's manual. If the operator(s) or mechanic(s) can not read English it is the owner's responsibility to explain this material to them.
- Become familiar with the safe operation of the equipment, operator's controls, and safety signs.
- All operators and mechanics should be trained. The owner is responsible for training the users.
- Never let children or untrained people operate or service the equipment. Local regulations may restrict the age of the operator.
- The owner/user can prevent and is responsible for accidents or injuries occurring to themselves, other people, and/or property.

2 - Preparation:

- Wear appropriate clothing including hard hat, safety glasses and ear protection. Long hair, loose clothing or jewelry may get tangled in moving parts.
- Inspect the area where the equipment is to be used and remove all objects such as rocks, toys and wire which can be thrown by the machine.
- Use extra care when handling gasoline and other fuels. They are flammable and vapors are explosive. Use only an approved container. Never remove gas cap or add fuel with engine running. Allow engine to cool before refueling. Do not smoke while fueling or operating equipment. Never refuel or drain the machine indoors.
- Check that operator's controls, safety switches, hoses, and shields are securely attached and functioning properly. Do not operate unless they are functioning properly.

Operator's Guide

3 - Operation

- Never run an engine in an enclosed area.
- Only operate in good light, keeping away from holes and hidden hazards.
- Slow down and use extra care on hillsides. Make turns gradually and at slow speed. Do not operate across the sides of slopes. Operate up and down slopes only. Do not operate on steep slopes.
- Turf conditions can affect the machine's stability. Do not operate on wet grass where traction may be reduced.
- Do not change the engine governor setting or overspeed the engine.
- Stop equipment and inspect vacuum impeller and hoses after striking objects or if an abnormal vibration occurs. Make necessary repairs before resuming operations.
- Look behind and down before backing up to ensure a clear path.
- Slow down and use caution when making turns and crossing roads and sidewalks. Stop vacuum and mower blades if not mowing.
- Do not operate machine under the influence of alcohol or drugs.
- Use care when loading or unloading the machine into a trailer or truck.
- Use care when approaching blind corners, shrubs, trees, or other objects that may obscure vision.

4 - Maintenance and Storage:

- Stop engine and disconnect spark plug wire. Wait for all movement to stop before adjusting, cleaning, or repairing.
- Clean grass and debris from muffler and engine to help prevent fires. Clean up oil or fuel spillage.
- Let engine cool before storing and do not store near flame.
- Shut off fuel while storing. Do not store fuel near flames or drain indoors.
- Never allow untrained personnel to service machine.
- Keep hands and feet away from moving parts. If possible, do not make adjustments with the engine running.
- Keep all parts in good working condition and all hardware tightened. Replace all worn or damaged decals.

Operator's Guide

Safety and Instruction Decals

1

⚠ CAUTION

- READ AND UNDERSTAND OPERATORS MANUAL BEFORE OPERATING OR SERVICING
- TO OBTAIN REPLACEMENT MANUALS, CONTACT YOUR LOCAL DEALER.
- OBEY ALL SAFETY INSTRUCTIONS. FAILURE TO DO SO MAY RESULT IN INJURY TO YOU OR OTHERS.
- BE SURE MACHINE IS IN SAFE OPERATING CONDITION BEFORE USE.
- KEEP GUARDS IN PLACE WHEN MACHINE IS IN OPERATION.
- STOP ENGINE AND WAIT FOR ALL MACHINE MOVEMENT TO STOP BEFORE SERVICING, ADJUSTING, OR CLEANING.
- DO NOT RUN ENGINE INSIDE UNVENTILATED SPACE.
- MAKE SURE EVERYONE IS CLEAR OF MACHINE BEFORE STARTING ENGINE, ENGAGING POWER, OR OPERATING.
- STAY OFF SLOPES TOO STEEP FOR SAFE OPERATION.
- PICK UP DEBRIS BEFORE USE.

2

⚠ WARNING

DEBRIS EXPELLED FROM THIS MACHINE WITH GREAT FORCE!

- To avoid serious injury, do not operate machine unless all hoses, shields, and attachments are securely in place.
- Keep bystanders away from discharge opening areas when machine is running.
- Do not attempt to open, perform service, or clear blockage while machine is running.

3

TO OPEN

STEP ON LATCH
RELEASE PEDAL

PULL BACK FIRMLY
ON SIDE HANDLE
AND CLEAR DEBRIS

4

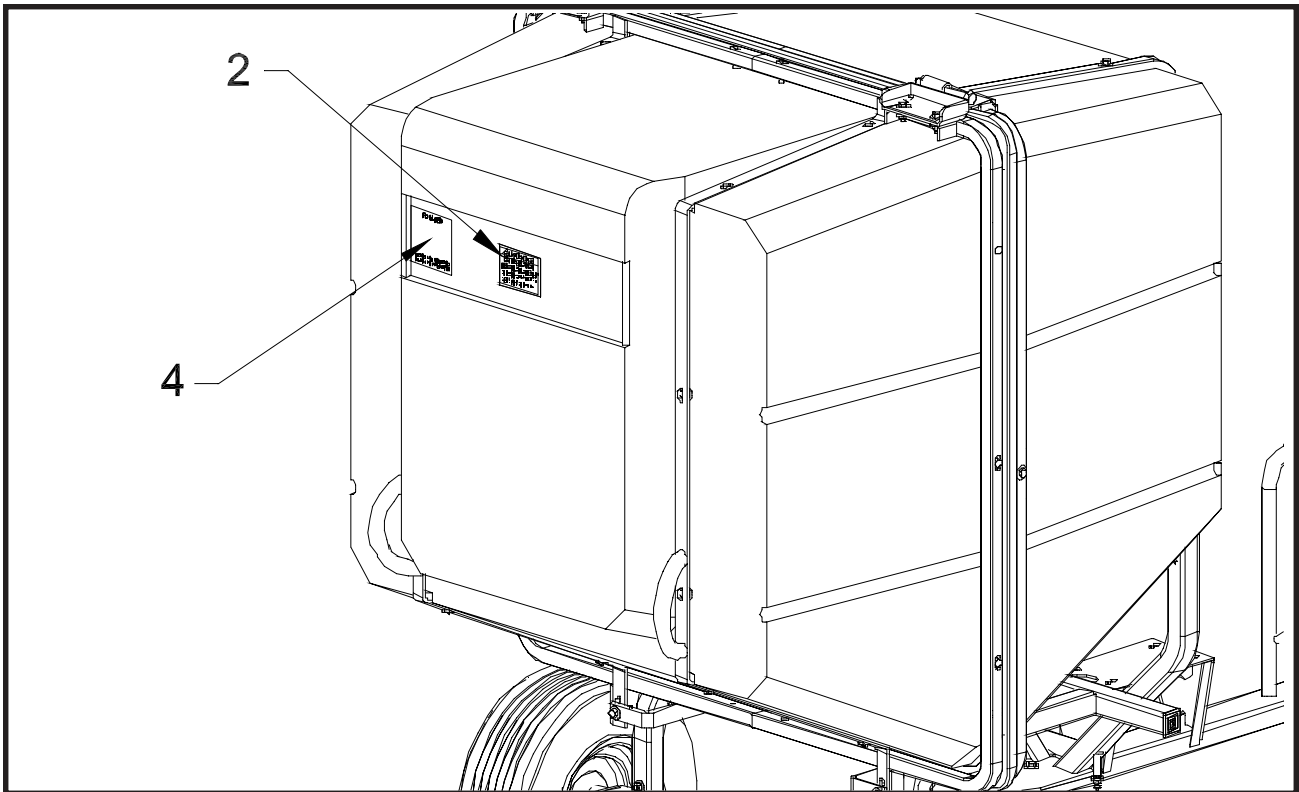
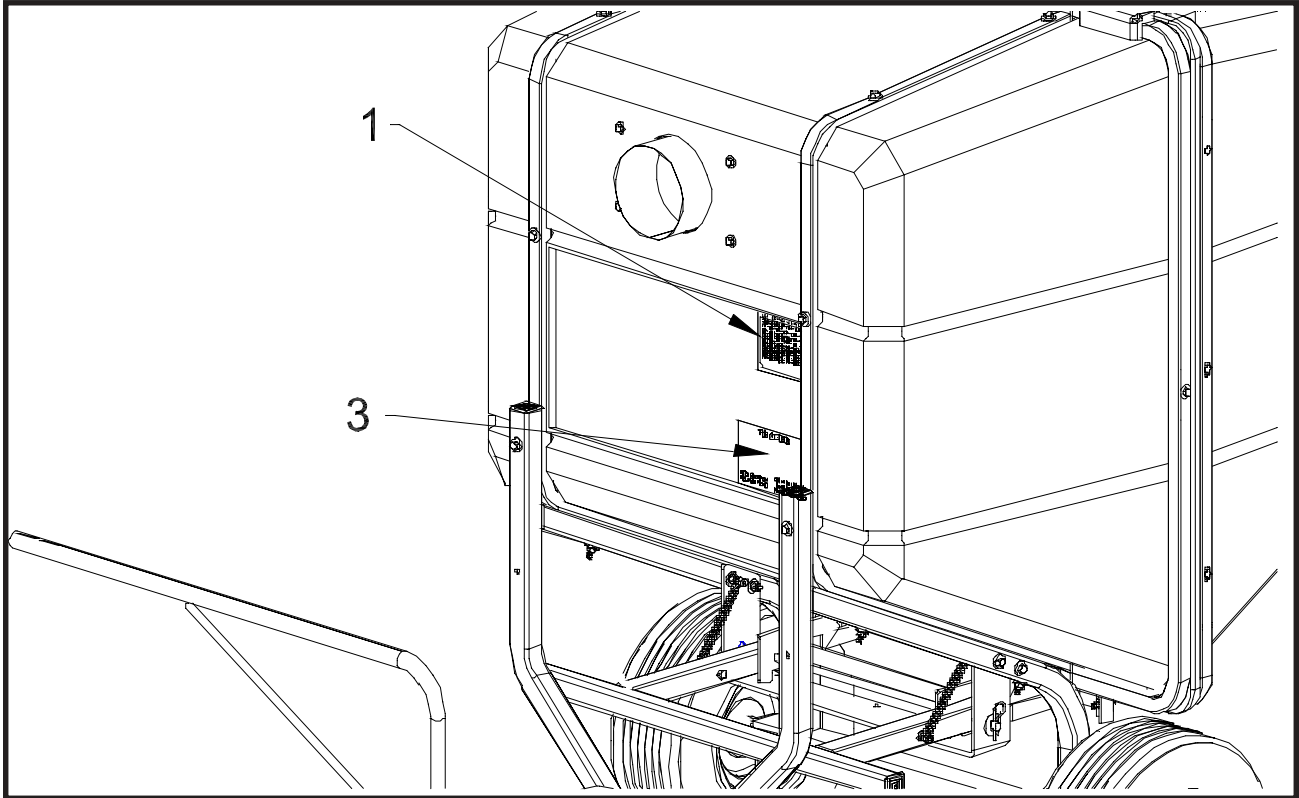
TO CLOSE

GRASP HANDLES AND
PUSH FIRMLY TO LATCH

Decal Group, ER30537		
Item	Description	Quantity
1	Decal, Caution List	1
2	Decal, Debris Danger	1
3	Decal, To Open	1
4	Decal, To Close	1

Operator's Guide

Decal Placement



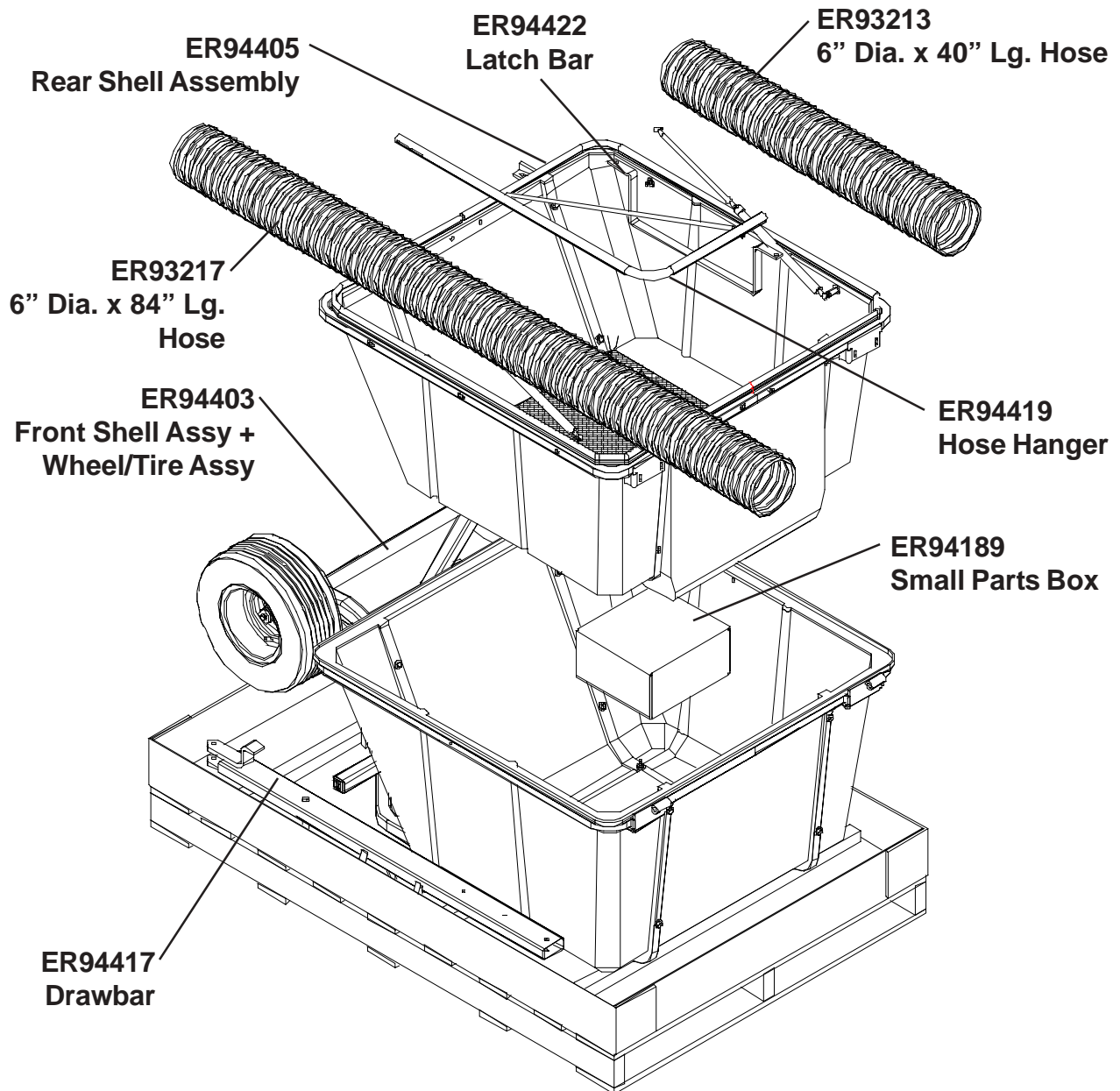
Operator's Guide

Unpacking Instructions

1. Removing Contents of Main Carton

Tools Required:
1. Utility Knife

NOTE: This portion of the assembly requires lifting the Rear Shell Assembly; two people are required.

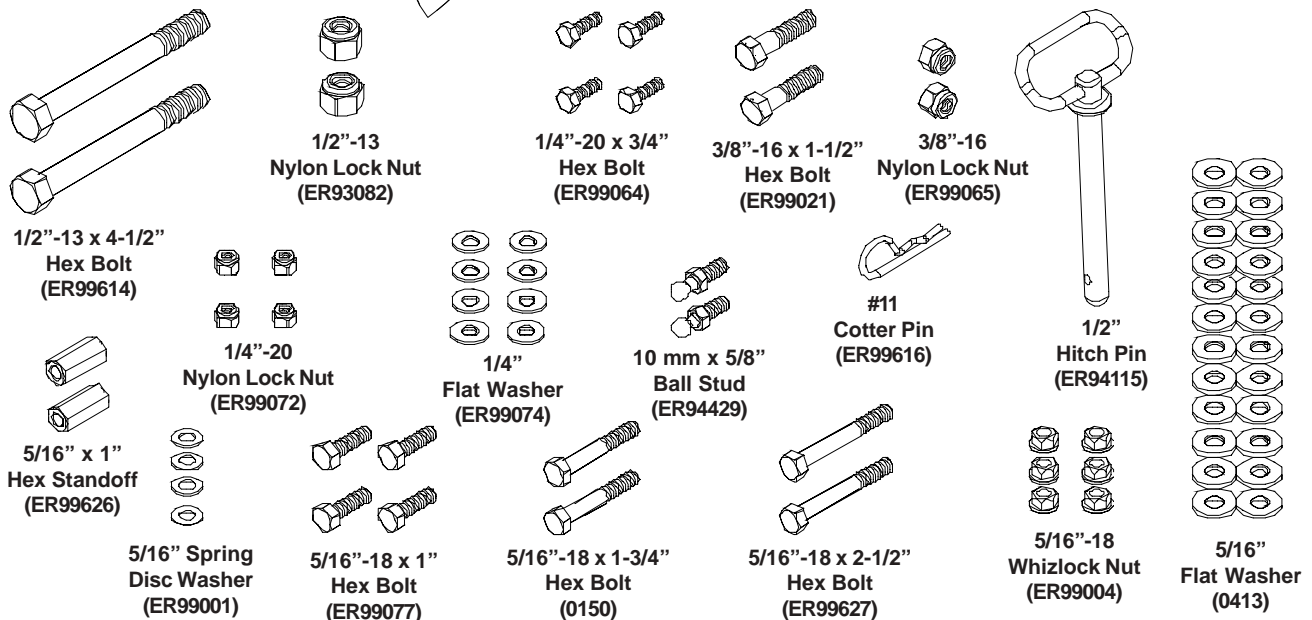
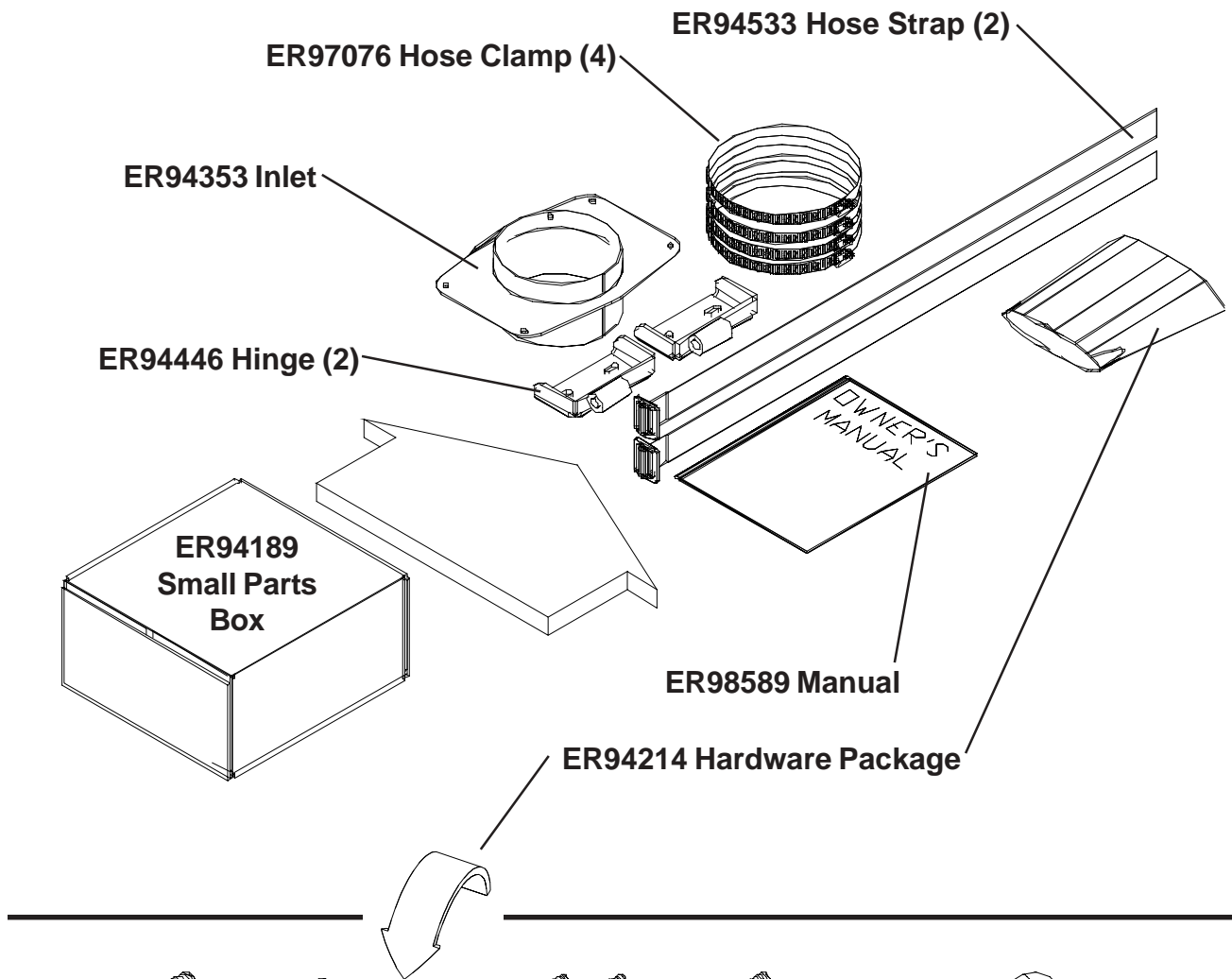


1. Cut straps around carton and remove top and all four side panels.
2. Take Hose Hanger, Hoses, Latch Bar, and Drawbar out of carton.
3. Lift Rear Shell Assembly out of carton and remove Small Parts Box.
4. Open Small Parts Box and remove contents according to picture on following page.
5. Open Hardware Package and remove contents according to picture on following page.

Operator's Guide

Unpacking Instructions (continued)

2. Removing Contents of Small Parts Box and Hardware Package



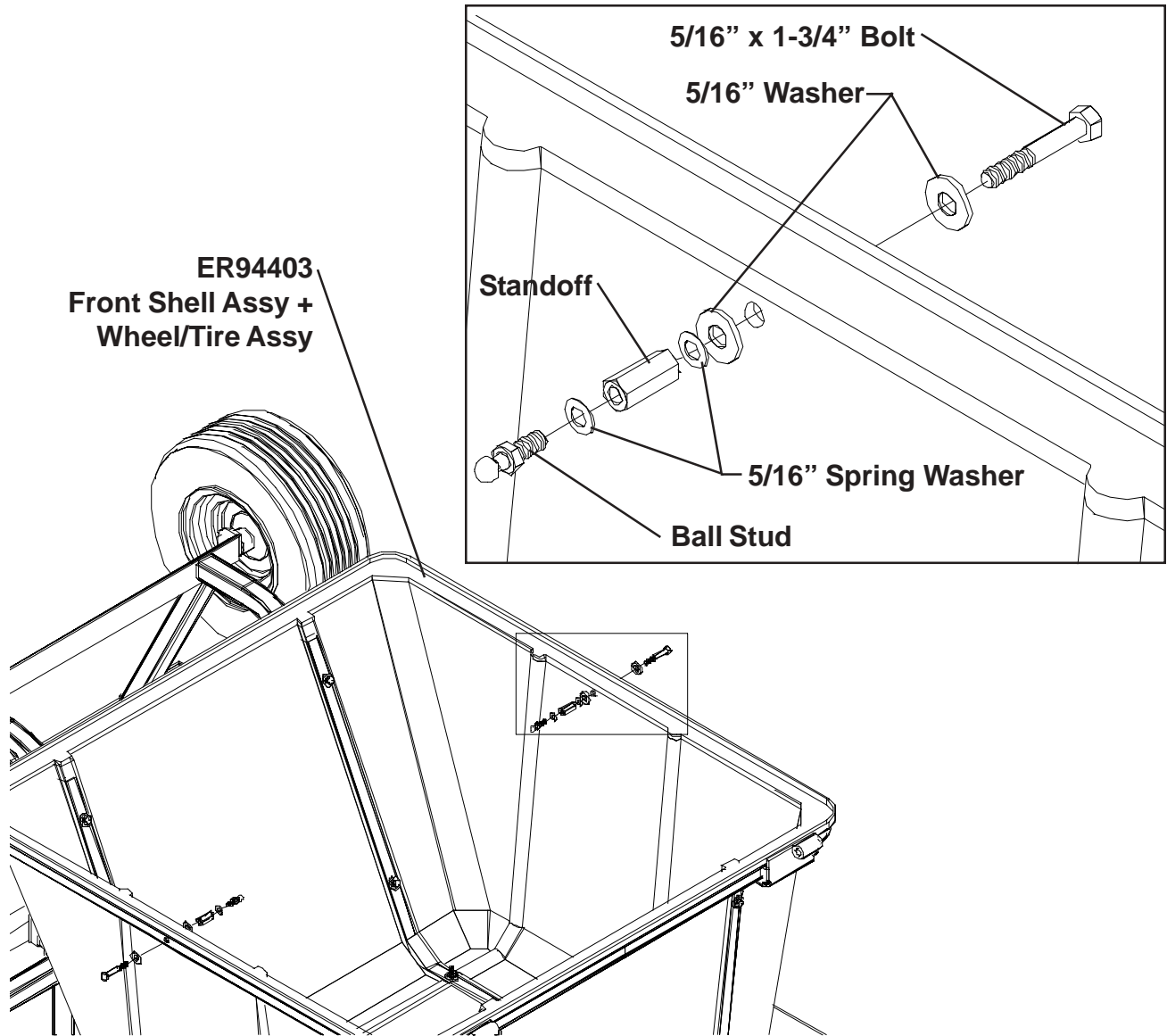
Operator's Guide

Assembly Instructions

1. Attaching Hex Standoff Assemblies

Tools Required:

1. 7/16" & 1/2" wrenches
2. Ratchet
3. 1/2" socket



1. Locate empty hole on both sides of Front Shell Assembly.
2. On one side, secure 5/16" x 1-3/4" hex bolt, two (2) 5/16" flat washers, two (2) 5/16" spring disc washers, hex standoff, and ball stud as shown in picture.
3. Repeat for other side.

Operator's Guide

Assembly Instructions (continued)

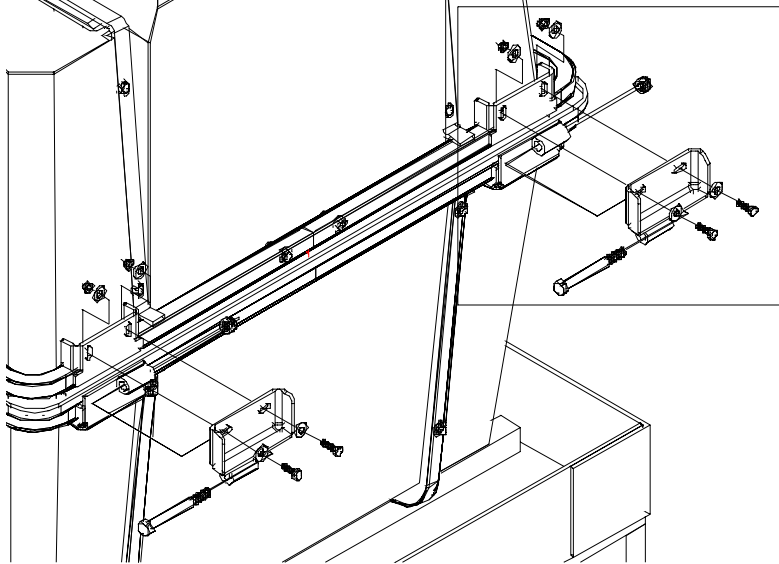
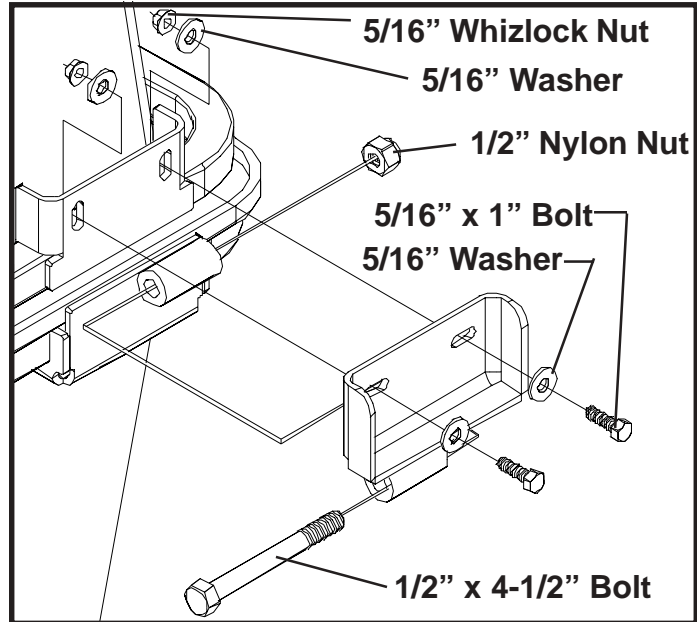
2. Attaching Rear Hinges to Rear Shell Assembly

Tools Required:

1. 1/2" & 3/4" wrenches
2. Ratchet
3. 1/2" & 3/4" sockets

NOTE: This portion of the assembly requires lifting the Rear Shell Assembly; two people are required.

ER94405
Rear Shell Assembly



1. Lift, flip over, and set Rear Shell Assembly on Front Shell Assembly with the seal down.
2. First, pass 1/2" bolt through each Hinge and Hinge Tube on Front Shell Assembly.
3. Align and secure Hinges to Rear Shell Assembly with four (4) 5/16" x 1" hex bolts, eight (8) 5/16" flat washers, and four (4) 5/16" whizlock nuts as shown in picture.
4. Tighten both 1/2" nuts to minimize side-to-side movement, but ensure that Hinges still rotate (i.e. not clamped) so Rear Shell Assembly can be opened for dumping.

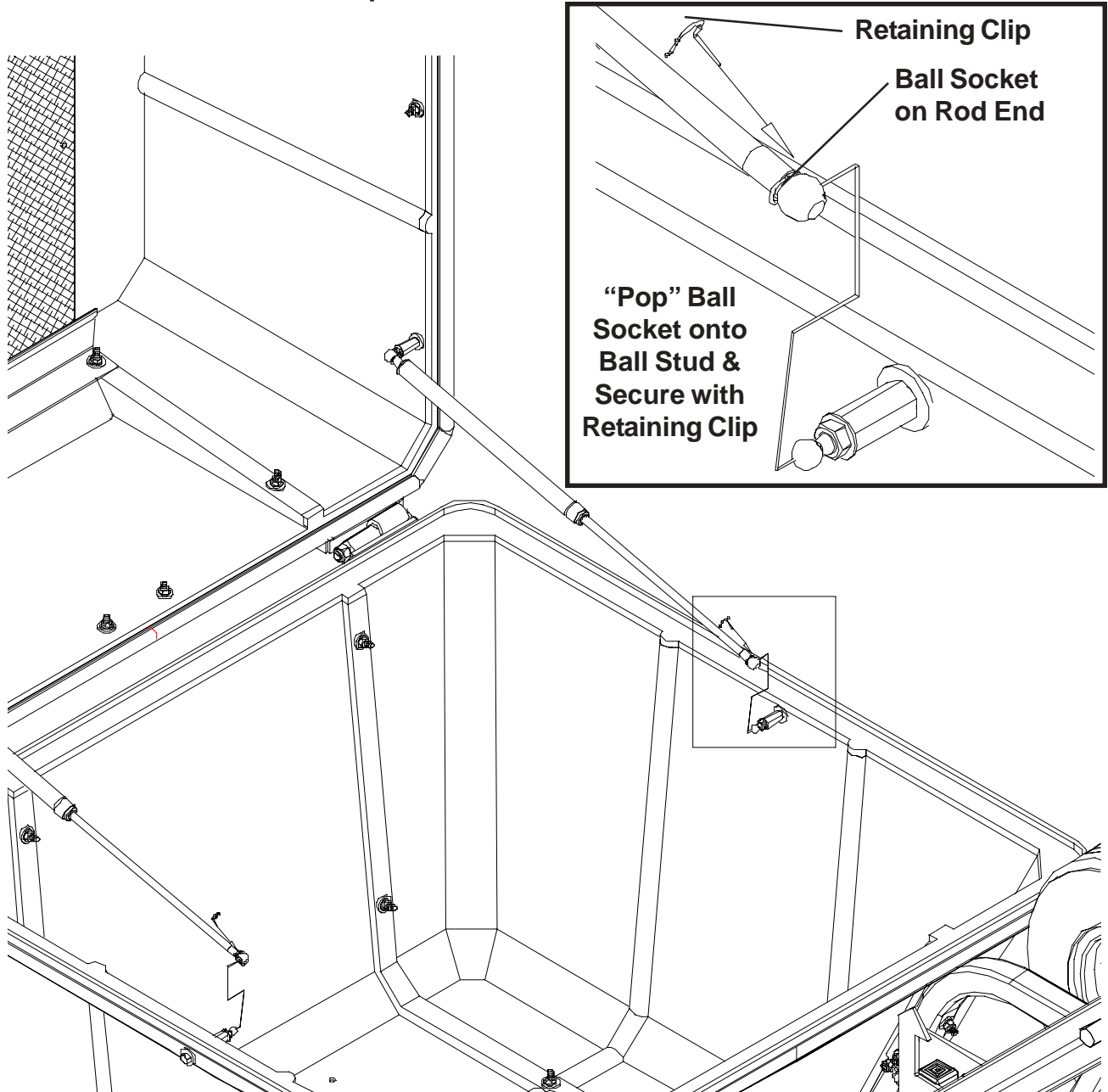
Operator's Guide

Assembly Instructions (continued)

3. Attaching Gas Springs to Front Shell Assembly



CAUTION! *This portion of the assembly requires opening and closing the Rear Shell Assembly; two people are required.*



1. With Front Shell Assembly still face-down, lift Rear Shell Assembly into open position.
2. Secure Rear Shell Assembly in open position to avoid injury.
3. On one side, temporarily remove retaining clip from ball socket on rod-end of Gas Spring and “pop” onto Ball Stud Assembly from Assembly Step #1. Secure with retaining clip.
4. Repeat for other side.

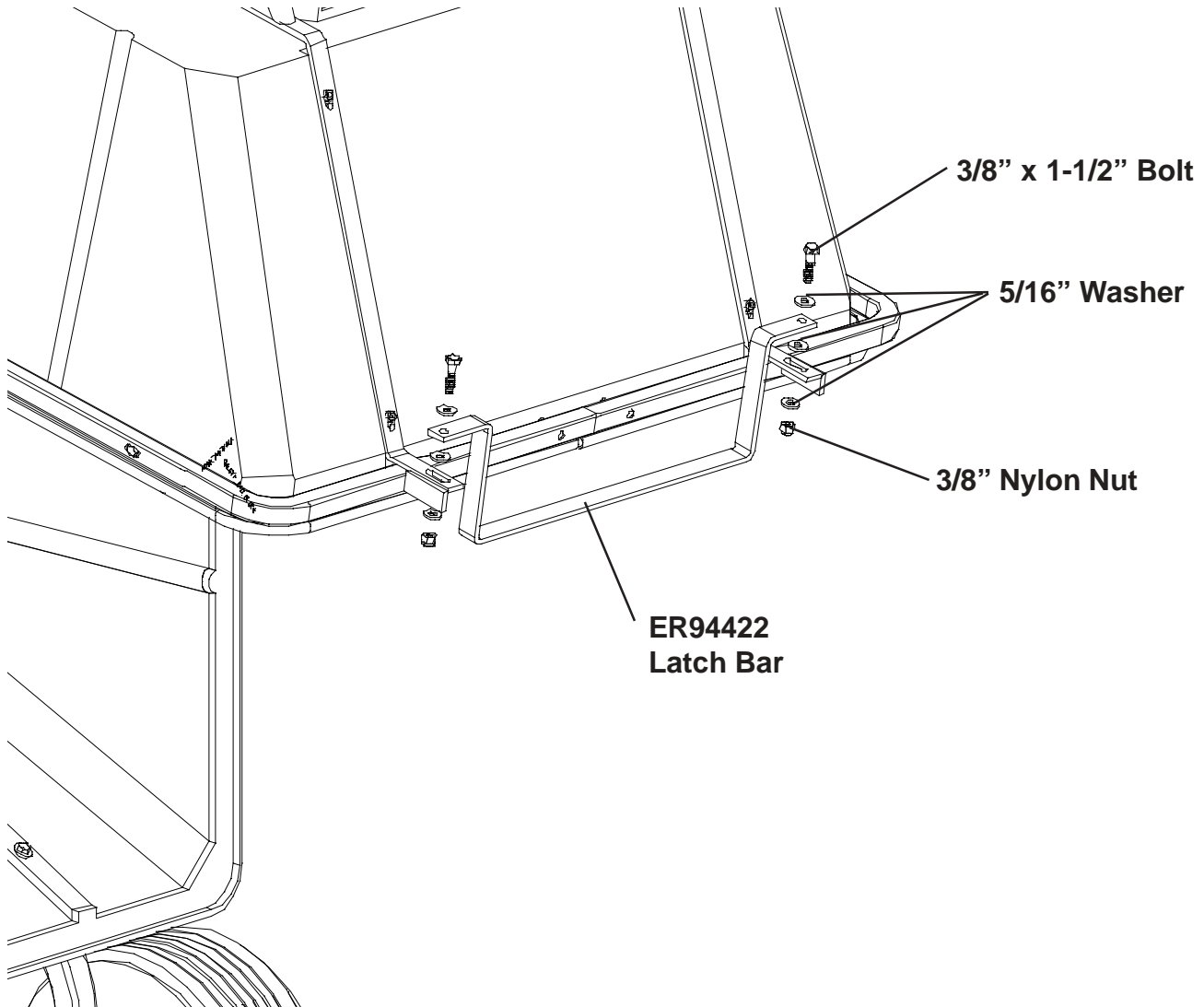
Operator's Guide

Assembly Instructions (continued)

4. Attaching the Latch Bar

Tools Required:

1. 9/16" Wrench
2. 9/16" Socket
3. Ratchet



1. Attach Latch Bar to Rear Frame Assembly using two (2) 3/8" x 1-1/2" hex bolts, six (6) 5/16" flat washers, and two (2) 3/8" nylon lock nuts as shown in picture.
2. Close ClamShell. Adjust Latch Bar as necessary by sliding Latch Bar up/down in slots and front/rear by adding/removing washers between Latch Bar and Rear Shell Assembly.

Operator's Guide

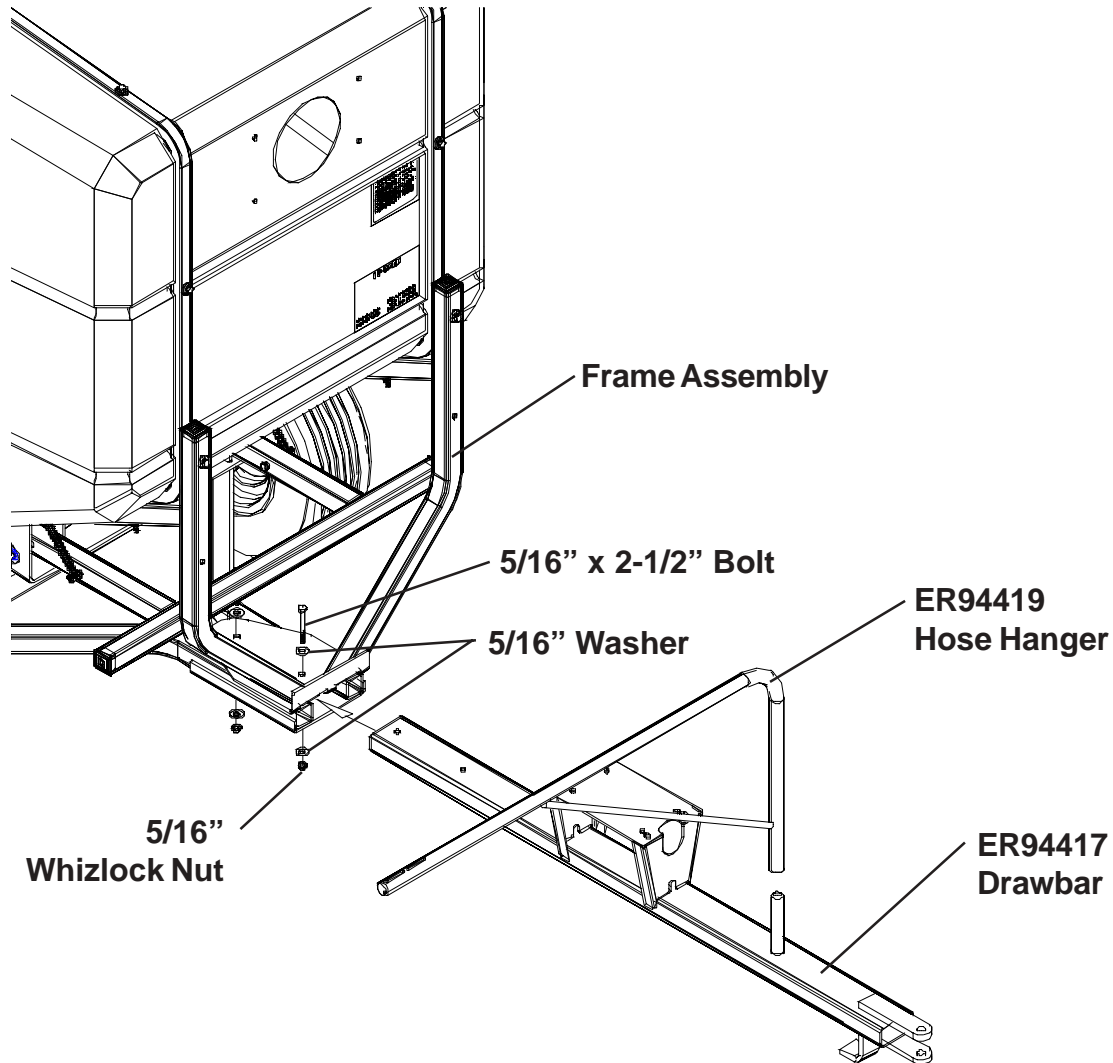
Assembly Instructions (continued)

5. Attaching the Drawbar and Hose Hanger

Tools Required:
1. 1/2" Wrench
2. 1/2" Socket
3. Ratchet



CAUTION! *This portion of the assembly requires standing the ClamShell assembly up; two people are required.*



1. Slide Drawbar in Frame Assembly as shown. *Note: there are two positions for the Drawbar; the rear two holes are for the 533CV, the forward two are for the V533.*
2. Secure Drawbar to Frame Assembly using two (2) 5/16" x 2-1/2" hex bolts, four (4) 5/16" flat washers, and two (2) 5/16" whizlock nuts.
3. Slide Hose Hanger over Drawbar rod.

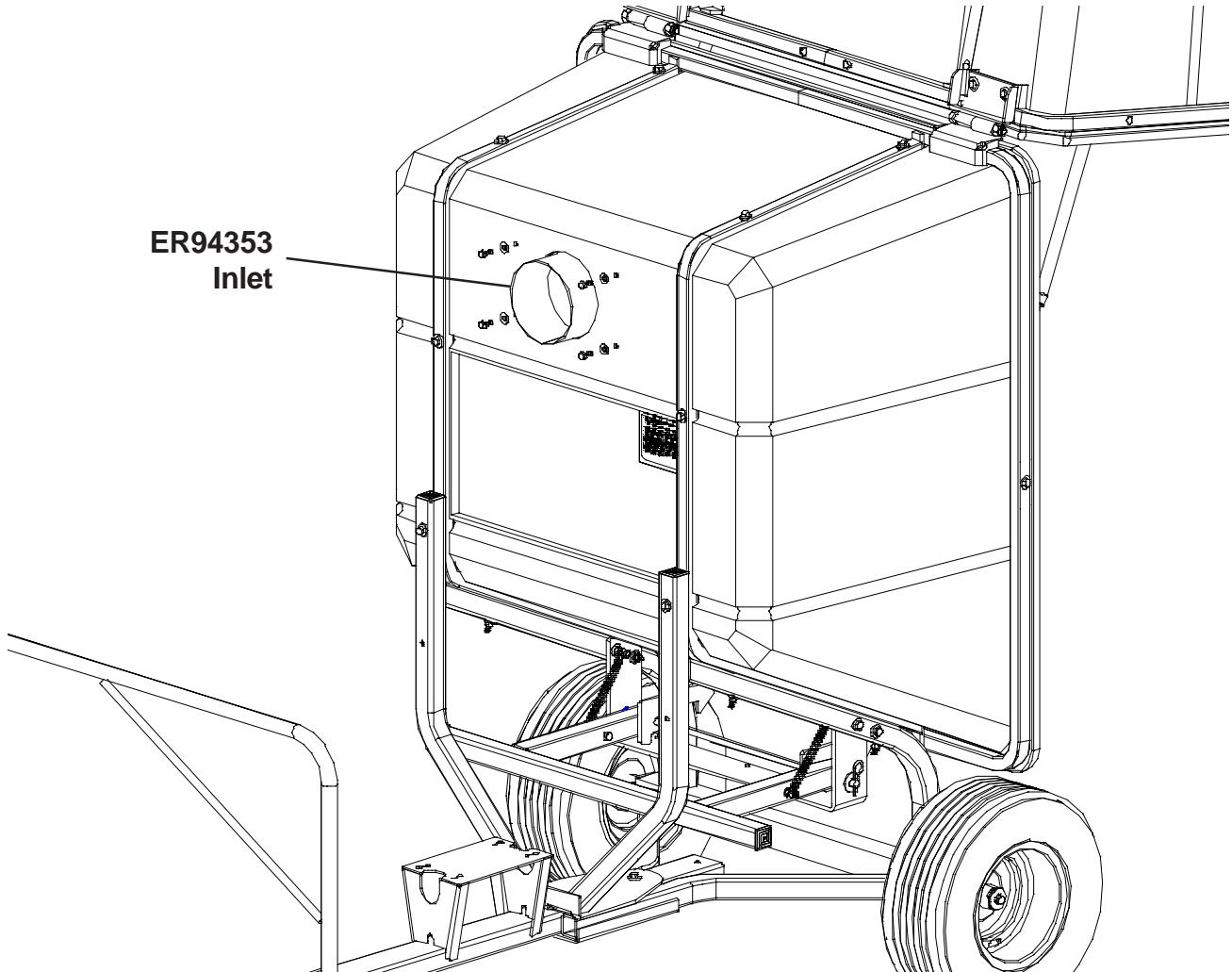
Operator's Guide

Assembly Instructions (continued)

6. Attaching the Inlet

Tools Required:

1. 7/16" Wrench
2. 7/16" Socket
3. Ratchet



1. Open the ClamShell.
2. Position Inlet in Front Shell as shown.
3. Secure Inlet to Front Shell using four (4) 1/4" x 3/4" hex bolts, eight (8) 1/4" flat washers, and four (4) 1/4" nylon lock nuts.

Operator's Guide

Assembly Instructions (continued)

7. Mounting the Powerhead

1. Mount the Powerhead to the Drawbar Engine Mount using the hardware provided with the Powerhead.

8. Hose Attachment

NOTE: Hoses may need to be trimmed to fit. If necessary, see *Hose Trimming* (section 9) below.

1. Slide one hose clamp over each end of the 84" Lower Hose. Slide one end of the hose over the Powerhead Inlet Cover and the other end over the Boot discharge opening. Tighten the hose clamps to secure hose in place.
2. Slide one hose clamp over each end of the 40" Upper Hose. Slide one end of the hose over the Powerhead discharge. Slide the other end over the Inlet. Tighten the hose clamps to secure the hose.

9. Hose Trimming

Tools Required: Utility Knife

1. Carefully measure the length needed. Remember that although the hose is flexible, it will not stretch.
2. Measure the same length on the hose that needs to be trimmed, and with the utility knife, cut through the webbing at the proper location.
3. Continue that cut through the webbing all the way around the hose so that it finishes just across the support coil from where the original cut was started.
4. Use the utility knife to score the support coil between the beginning and end of the web cut. Set aside the knife, and finish breaking the coil by hand by working the scored portion back and forth until it breaks apart.

Operator's Guide

Servicing the Engine

1. Make sure that engine oil is at engine manufacturer's recommended level (refer to engine manual).
2. Fill the fuel tank. Use fresh, clean, unleaded automotive gasoline.

Pre-Start Check

1. Make sure the stop switch is in the OFF position and spark plug wire is disconnected. Pull the starter rope slowly to make certain there are no foreign objects in the blower housing.
2. Replace the spark plug wire and cover are attached to the spark plug.

Starting the Engine

Refer to Engine Manual.

Operating the Vacuum

1. **NEVER USE THE COLLECTION SYSTEM WITHOUT THE VACUUM INLET COVER AND ALL HOSES SECURELY ATTACHED.**
2. Make sure both hoses are connected at both ends. Inspect hoses prior to each use.
3. Do not use the collection system on slopes greater than 15 degrees.
4. The mower must be running in order to vacuum debris through the mower deck.
5. In heavy grass it may be necessary to mow and vacuum at a slower ground speed.
6. Never attempt to unclog the collection system until both the mower's engine and vacuum's engine have been shut off and all moving parts have come to a complete stop.
7. Do not stand behind the vent at the rear of the collection system due to the potential for small pieces of blowing debris to escape through this vent.
8. Wear eye and ear protection.
9. **TO STOP THE ENGINE:** throttle down to slow for a few seconds, then push switch to OFF. Remove any hearing protection and listen for all moving parts to come to a complete stop. The flywheel in the power head will coast for a few seconds after the engine is shut off before actually stopping.

Maintenance and Service Instructions

Transport

WARNING! The collection system must be completely empty while transported on a trailer. Debris spilling from an open container during transport can result in hazardous situations for you and for bystanders.

Cleaning and Washing

Regular cleaning, washing, and lubricating will prolong the service of the machine.

NOTE: Use care with power washers to avoid damage to decals. Limit direct spray on these items.



DO NOT EXCEED 1000 PSI WATER PRESSURE FOR CLEANING.

For best results, clean exhaust screen inside container regularly. Instructions for doing this can be found in the Service section of this manual.

Storage

1. Refer to engine manufacturer's instructions for engine storage information.
2. Clean machine.
3. Cover all scratches with touch-up paint.
4. Covered or indoor storage is recommended.

Preventative Maintenance Schedule

Item	Before Each Use	Every 5 Hours	Every 25 Hours	Every 50 Hours	As Necessary
Check Engine Oil Level	X	X			
Change Engine Oil			X		
Change Air Cleaner Element			X		X
Replace Spark Plug				X	
Inspect/Clean Exhaust Screen	X	X			X
Check/Tighten Nuts & Bolts	X				X
Check/Tighten Hoses	X				X
Turn Hose End to End			X		
Rotate Hose				X	
Clean Machine				X	X

Maintenance and Service Instructions

Engine Service and Maintenance

Follow the engine manufacturer's maintenance instructions. Should any malfunction occur with the engine during the warranty period, take it to an Authorized Service Dealer. DO NOT tear down the engine, as this may void the Engine Manufacturer's Warranty.

NOTE: Refer to engine manufacturer's owner's manual for all engine service information.

Caring For Vacuum Hoses

1. Inspect hoses before each use. If hoses have excessive wear, tears, or punctures, replace immediately.
2. To prolong the life of the hose, periodically rotate hose and turn hose end to end. Refer to Preventative Maintenance Schedule in this manual.
3. Avoid twists and sharp turns in the hoses, as they will increase wear on the hoses.
4. Avoid dragging the lower hose along the sides of buildings or other hard surfaces.

Cleaning Exhaust Screen

The exhaust screen on the ClamShell is located inside the Rear Shell. It is made from typical grass catcher material and can be easily removed for cleaning.

Screen Removal and Cleaning Instructions

1. Shut off all engines.
2. Open the ClamShell so that it is in the dump position. Brace the rear shell in the full open position, and step underneath to access the screen.
3. Grasp the handles at the lower corners of the screen, and pull off of the Rear Exhaust Insert.
4. Clean the screen, and replace.

NOTE: It is not recommended that the screen be washed with water as metal clamps holding the elastic can begin to rust prematurely.



**DO NOT USE THE CLAMSHELL WITHOUT EXHAUST SCREEN
SECURELY IN PLACE**

Maintenance and Service Instructions

Trouble Shooting Guide

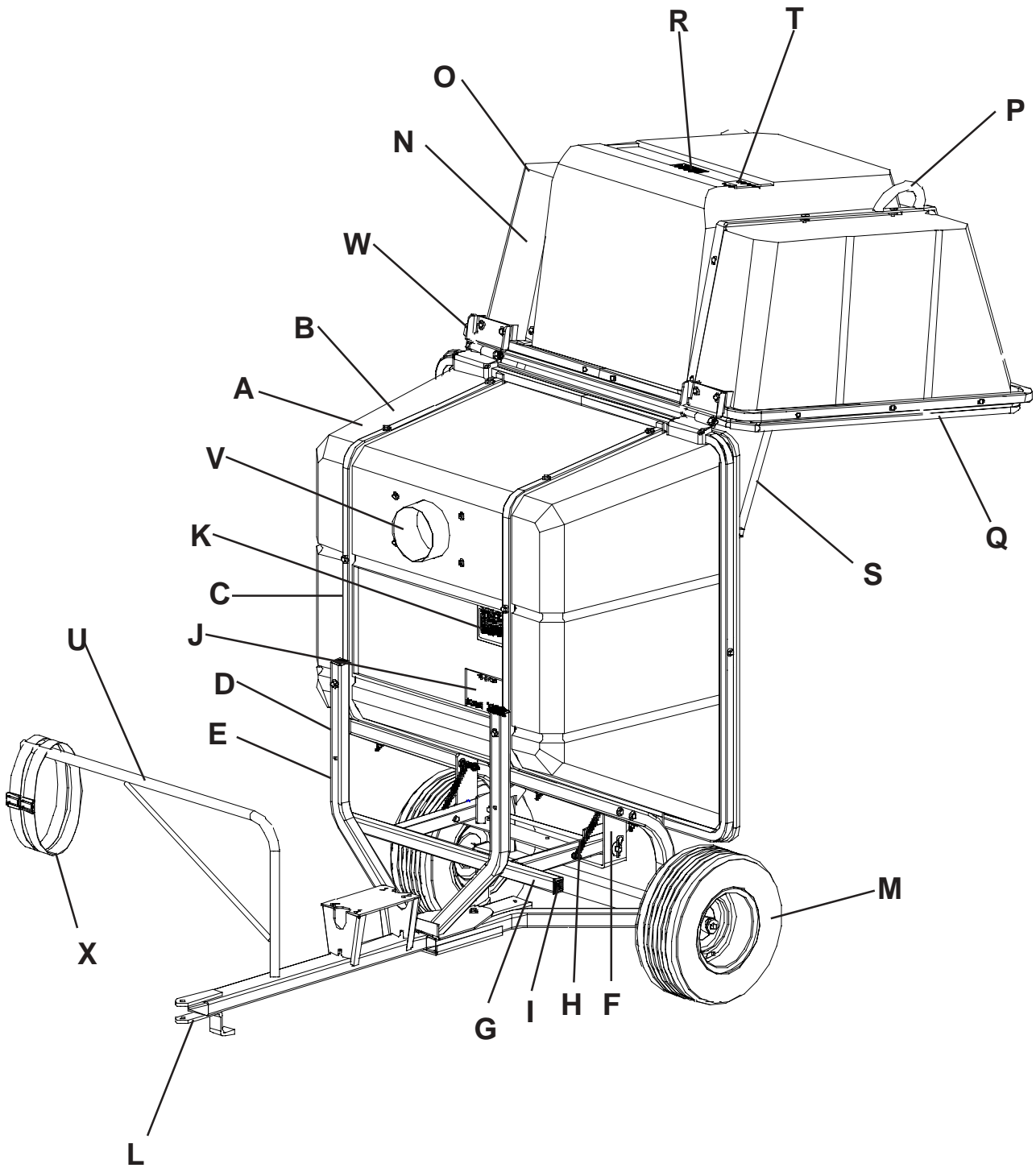


! DANGER !

Before servicing unit wait for all moving parts to come to a complete stop. Turn engine off and remove the spark plug wire.

PROBLEM	POSSIBLE CAUSE	CORRECTION
Engine Does Not Start.	<ol style="list-style-type: none"> 1. Spark plug wire disconnected. 2. Engine ON/OFF switch in OFF position. 3. Fuel tank empty. 4. Stale gasoline. 5. Dirty air filter. 	<ol style="list-style-type: none"> 1. Reconnect wire. 2. Put switch in ON position. 3. Add gasoline. 4. Drain gasoline and add fresh gasoline. 5. Clean or replace.
Engine Runs Poorly.	<ol style="list-style-type: none"> 1. Bad spark plug. 2. Dirty air filter. 3. Incorrect choke setting. 4. Stale gasoline. 5. Dirt or water in fuel tank. 	<ol style="list-style-type: none"> 1. Inspect spark plug. 2. Clean or replace. 3. Put choke in correct setting. 4. Drain gasoline and add fresh gasoline. 5. See engine service dealer.
Engine Overheats.	<ol style="list-style-type: none"> 1. Carburetor out of adjustment. 2. Oil level is low. 	<ol style="list-style-type: none"> 1. See engine service dealer. 2. Check and add oil.
Loss of Vacuum.	<ol style="list-style-type: none"> 1. Vacuum inlet clogged. 2. Container full. 3. Engine not reaching full RPM. 4. Fan blades bent or broken. 	<ol style="list-style-type: none"> 1. Remove hose and clean inlet. 2. Inspect and empty. 3. See "Engine Runs Poorly" above. 4. Replace/repair impeller.
Unusual vibration or noise.	<ol style="list-style-type: none"> 1. Solid object jammed in unit. 2. Engine cylinder shaft or crankshaft bent or damaged. 3. Loose engine mounting bolts/nuts. 4. Loose or missing bolts on unit. 5. Engine shaft bearings damaged. 	<ol style="list-style-type: none"> 1. Check and remove any obstruction. 2. See engine service dealer. 3. Tighten bolts/nuts. 4. Tighten or replace bolts. 5. See engine service dealer.

Replacement Parts



Replacement Parts

Description	Part No.	Guide	Qty.
Carton #1 Powerhead			
Vac. Assy., 5.5 hp B&S Intek, including:	ER30150	*	1
Engine, 5.5 hp B&S Intek	51954	*	1
Blower Housing	ER94002	*	1
Impeller	ER94005	*	1
Washer, Spring, 5/16	ER99001	*	4
Bolt, Hex, 5/16-24 x 3/4, Gr. 5	ER99012	*	4
Set Screw, 3/8-24 x 3/8	ER99027	*	2
Key, Square, 3/16 x 3/16 x 1-3/4	ER99002	*	1
Decal, Hot Surfaces	ER94082	*	1
Decal, Caution List	8318	*	1
Inlet	ER94003	*	1
Manual, Safety, Operation, & Maintenance	ER98561	*	1
Manual/Hardware Pkg., including:	ER94181	*	1
Small Parts Pkg., including:	ER94251	*	1
Bolt, Hex, 5/16-18 x 1-1/2, Gr. 5	ER99015	*	4
Nut, Nylon Lock, 1/4-20	ER99072	*	6
Washer, Flat, 1/4	ER99074	*	6
Nut, Nylon Lock, 5/16-18	ER99079	*	4
Vac. Assy., 5.5 hp B&S, including:	ER30151	*	1
Engine, 5.5 hp B&S	ER54007	*	1
Blower Housing	ER94002	*	1
Impeller	ER94005	*	1
Washer, Spring, 5/16	ER99001	*	5
Spacer, 0.75 OD x 0.510 ID	ER99603	*	5
Bolt, Hex, 5/16-24 x 1, Gr. 5	ER99016	*	5
Set Screw, 3/8-24 x 3/8	ER99027	*	2
Key, Square, 3/16 x 3/16 x 1-3/4	ER99002	*	1
Decal, Hot Surfaces	ER94082	*	1
Decal, Caution List	8318	*	1
Deflector & Screw, B&S 5 hp	ER97050	*	1
Inlet	ER94003	*	1
Manual, Safety, Operation, & Maintenance	ER98561	*	1
Manual/Hardware Pkg., including:	ER94181	*	1
Small Parts Pkg., including:	ER94251	*	1
Bolt, Hex, 5/16-18 x 1-1/2, Gr. 5	ER99015	*	4
Nut, Nylon Lock, 1/4-20	ER99072	*	6
Washer, Flat, 1/4	ER99074	*	6
Nut, Nylon Lock, 5/16-18	ER99079	*	4

Replacement Parts

Description	Part No.	Guide	Qty.
Ch-Vac. Assy., 5.5 hp B&S, including:	ER30250	*	1
Engine, 5.5 hp B&S	ER54502	*	1
Blower Housing	ER94061	*	1
Chipper Chute Assy., including:	ER94062	*	1
Chipper Chute	ER94063	*	1
Rubber Grommet	ER99047	*	2
Decal, Chipper Chute	ER94126	*	1
Opening Guard Assy., including:	ER93933	*	1
Bracket	ER93943	*	1
Flap, Rubber	ER93946	*	1
Bolt, Hex, 5/16-18 x 8-3/4	ER99043	*	4
Nut, Nylon, 5/16-18	ER99079	*	4
Impeller Assy., including:	ER93935	*	1
Impeller	ER93936	*	1
Chipper Knife	ER93999	*	2
Bolt, Flat Head Socket, 5/16-18 x 3/4	ER99674	*	6
Nut, Nylon, 5/16-18	ER99079	*	6
Bolt, Hex, 1/2-13 x 3-1/2, Gr. 5	ER99602	*	4
Shredder Flail	ER93937	*	16
Spacer, 0.750 OD x 0.510 ID x 5/8	ER99606	*	8
Spacer, 0.750 OD x 0.510 ID x 5/16	ER99603	*	8
Bolt, Hex, 5/16-18 x 1	ER99077	*	4
Nut, Nylon Lock, 5/16-18	ER99079	*	4
Bolt, Hex, 3/8-24 x 2	ER99675	*	1
Washer, 7 ga. x 0.406 ID x 1.5 OD	ER97039	*	1
Washer, Lock, External Star, 3/8"	ER99633	*	1
Shredder Screen	ER94055	*	1
Plate, Screen Support	ER94064	*	2
Decal, Caution List	8318	*	1
Inlet	ER94051	*	1
Manual/Hardware Pkg., including:	ER94185	*	1
Small Parts Pkg., including:	ER94256	*	1
Bolt, Hex, 5/16-18 x 1-1/2, Gr. 5	ER99015	*	4
Bolt, Hex, 5/16-18 x 3/4, Gr. 5	ER99042	*	4
Washer, Flat, 1/4	ER99074	*	12
Nut, Nylon Lock, 5/16-18	ER99079	*	12
Washer, Lock, External, 5/16	ER99618	*	4
Manual, Safety, Operation, & Maint.	ER98562	*	1
Operator's Kit, including:	ER93981	*	1
Safety Goggles	ER93951	*	1
Gloves	ER93971	*	1

Replacement Parts

Description	Part No.	Guide	Qty.
Carton #2 ClamShell, Partial Assembly	ER30537	*	1
Front Shell Assy., including:	ER94403	A	1
Shell, Front	ER94382	B	1
Cage, Front Shell	ER94404	C	1
Bolt, Hex, 5/16-18 x 2, Gr. 5	ER99017	*	6
Bolt, Hex, 5/16-18 x 3-1/2, Gr. 5	ER99112	*	6
Washer, Flat, 5/16	0413	*	24
Nut, Whizlock, 5/16-18	ER99004	*	10
Frame Assy., including:	ER94408	D	1
Frame	ER94409	E	1
Latch Support Bar	ER94410	F	1
Bearing, Iglide	ER99639	*	2
Bolt, Hex, 5/16-18 x 3, Gr. 5	ER99013	*	2
Catch/Release Lever	ER94411	G	1
Washer, Flat, 1/2	ER99059	*	2
Pin, Cotter Hair #11	ER99616	*	2
Bolt, Hex, 5/16-18 x 2-1/2, Gr. 5	ER99627	*	4
Washer, Flat, 5/16	0413	*	8
Nut, Whizlock, 5/16-18	ER99004	*	6
Spring	ER93209	H	2
Nut, Nylon Lock, 5/16-18	ER99079	*	4
Plug, 1.5 Square Tube	ER99643	I	6
Nut, Nylon Lock, 5/16-18	ER99079	*	2
Decal, To Open	ER94450	J	1
Decal, Caution List	8318	K	1
Drawbar	ER94417	L	1
Wheel & Tire Assy.	ER97053	M	2
Bolt, Hex, 3/8-16 x 1-1/4, Gr. 5	ER99020	*	1
Bolt, Hex, 3/8-16 x 1-1/4 LH Thread, Gr. 5	ER99120	*	1
Washer, Lock, External Star, 3/8	ER99633	*	2
Washer, 7 ga. x 0.406 ID x 1.5 OD	ER97039	*	2
Rear Shell Assy., including:	ER94405	N	1
Shell, Rear	ER94392	O	1
Cage, Rear Shell	ER94406	P	1
Bolt, Hex, 5/16-18 x 2, Gr. 5	ER99017	*	8
Washer, Flat, 5/16	0413	*	48
Washer, Spring, 5/16	ER99001	*	4
Ball Stud, 10 mm dia. x 5/8	ER94429	*	2
Standoff, Hex, 5/16-18 x 1	ER99628	*	2
Nut, Whizlock, 5/16-18	ER99004	*	20
Trim Seal, 13.75 ft.	ER94439	Q	1
Decal, Debris Danger	ER94457	R	1
Exhaust Insert, Upper	ER94425	*	1
Exhaust Insert, Rear	ER94426	*	1
Screen, Elastic VInyl	ER94470	*	1

Replacement Parts

Description	Part No.	Guide	Qty.
Gas Spring	ER94427	S	2
Retaining Clip, Gas Spring	ER94437	*	2
Decal, To Close	ER94451	T	1
Bolt, Hex, 5/16-18 x 1-1/4, Gr. 5	ER99651	*	8
Bolt, Hex, 5/16-18 x 1, Gr. 5	ER99077	*	4
Hose Hanger	ER94419	U	1
Hose, 6 x 84	ER93217	*	1
Hose, 6 x 40	ER93213	*	1
Latch Bar	ER94422	*	1
Small Parts Box, including:	ER94189	*	1
Operator's Manual	ER98589	*	1
Inlet	ER94353	V	1
Rear Hinge	ER94446	W	2
Hose Clamp	ER97076	*	4
Hose Strap	ER94533	X	2
Ear Plugs	ER93961	*	1
Small Parts Pkg., including:	ER94214	*	1
Bolt, Hex, 1/4-20 x 3/4, Gr. 5	ER99084	*	4
Washer, Flat, 1/4	ER99074	*	8
Nut, Nylon Lock, 1/4-20	ER99072	*	4
Bolt, Hex, 5/16-18 x 1-3/4	0150	*	2
Washer, Spring, 5/16	ER99001	*	4
Standoff, Hex, 5/16 x 1	ER99628	*	2
Bolt, Hex, 5/16-18 x 1, Gr. 5	ER99077	*	4
Bolt, Hex, 5/16-18 x 2-1/2, Gr. 5	ER99627	*	2
Nut, Whizlock, 5/16-18	ER99004	*	6
Bolt, Hex, 1/2-13 x 4-1/2, Gr. 5	01895	*	2
Nut, Nylon Lock, 1/2-13	ER93082	*	2
Ball Stud, 10 mm dia. x 5/8	ER94429	*	2
Hitch Pin, 1/2 dia.	ER94115	*	1
Pin, Cotter Hair #11	ER99616	*	1
Washer, Flat, 5/16	0413	*	24
Bolt, Hex, 3/8-16 x 1, Gr. 5	ER99021	*	2
Nut, Nylon Lock, 3/8-16	ER99065	*	2



BlueBird International, Inc.
700 Park Street
Beatrice, NE 68310
PHONE (402) 223-2391
TOLL FREE (800) 808-BIRD
FAX (402) 223-4791
TOLL FREE FAX (800) 254-BIRD
WEBSITE www.bluebirdintl.com
EMAIL actioncenter@bluebirdintl.com

Technical Assistance:
For technical assistance, please contact your local dealer
or BlueBird Customer Service