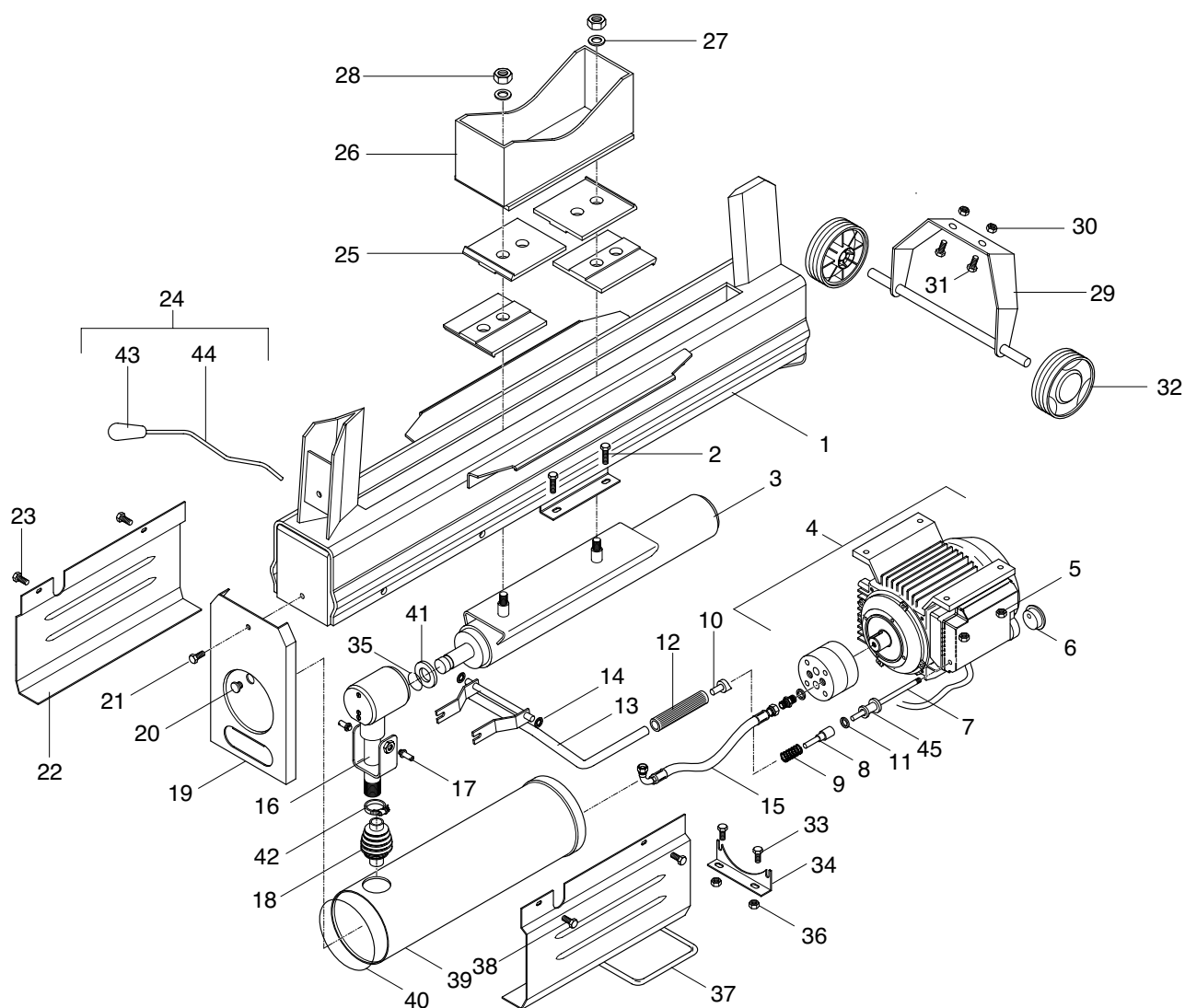


# SPLIT 400

Side

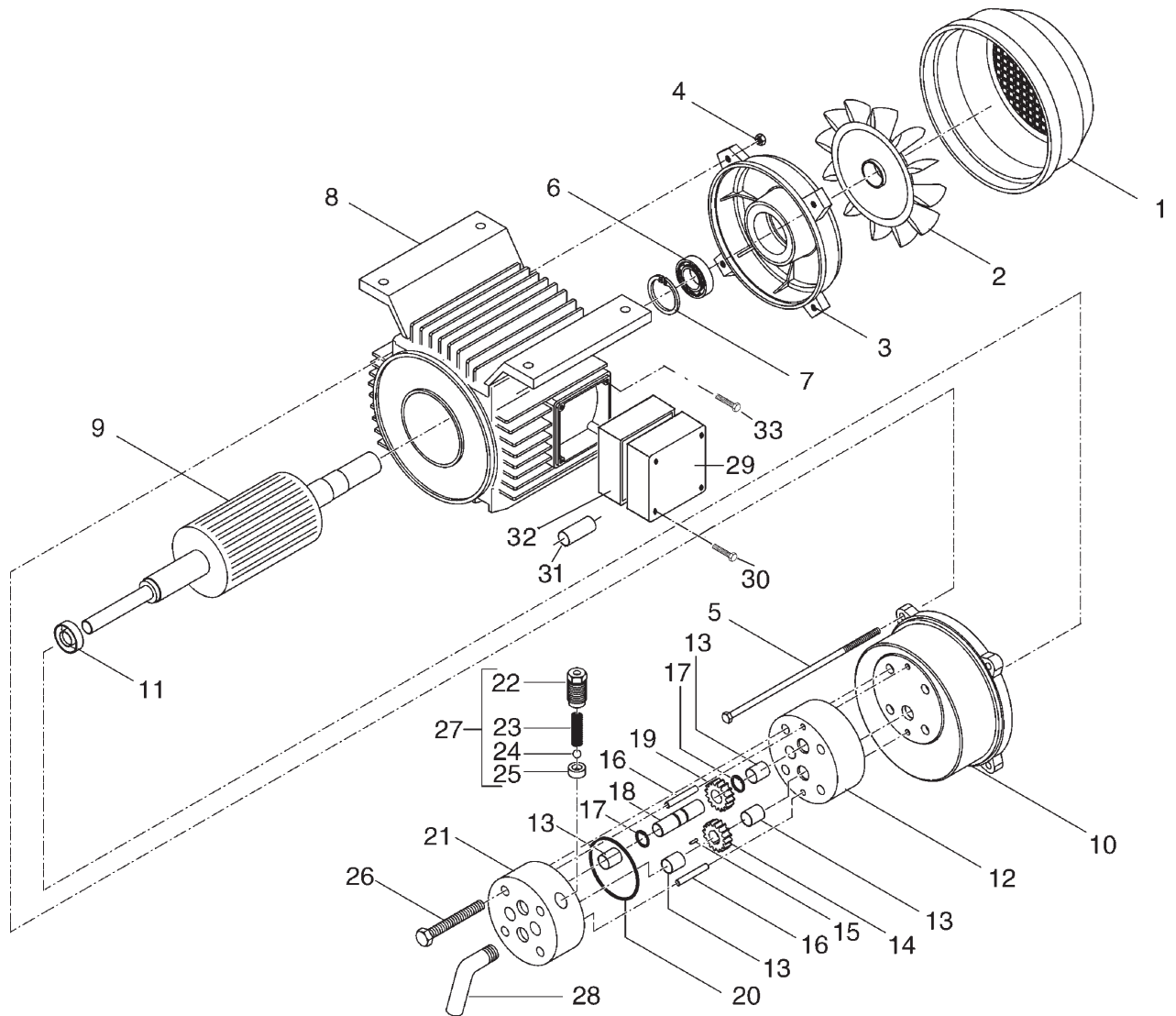
| Nr |                |
|----|----------------|
| 2  | Ramme          |
| 3  | Motor og pumpe |
| 4  | Ventil         |
| 5  | Sylinder       |

# RAMME



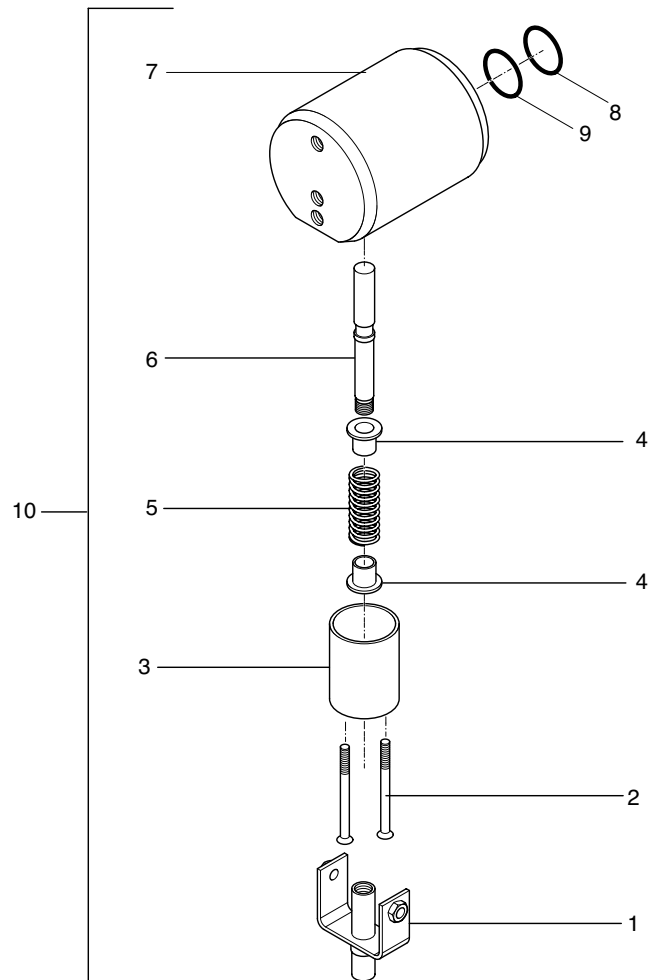
| Nr. | Art. Nr.        | Nr. | Art. Nr.   | Nr. | Art. Nr.   |
|-----|-----------------|-----|------------|-----|------------|
| 1   | 5080240-01      | 18  | 5080240-16 | 35  | 5080240-21 |
|     |                 | 19  | 5080240-15 | 36  | 5080240-52 |
| 3   | 5080240-02      | 20  | 5080240-17 | 37  | 5080240-53 |
| 4   | 5080240-39      | 21  | 5080240-41 | 38  | 5080240-54 |
| 5   | 5080240-03      | 22  | 5080240-42 | 39  | 5080240-21 |
| 6   | 5080240-04      | 23  | 5080240-43 | 40  | 5080240-22 |
| 7   | 5080240-05      | 24  | 5080240-30 | 41  | 5080240-23 |
| 8   | 5080240-06      | 25  | 5080240-44 | 42  | 5080240-24 |
| 9   | 5080240-07      | 26  | 5080240-45 | 43  | 5080240-55 |
| 10  | 5080240-08      | 27  | 5080240-46 | 44  | 5080240-56 |
| 11  | 5080240-09      | 28  | 5080240-47 | 45  | 5080240-57 |
| 12  | 5080240-10      | 29  | 5080240-18 |     |            |
| 13  | 5080240-11      | 30  | 5080240-48 |     |            |
| 14  | 5080240-40      | 31  | 5080240-49 |     |            |
| 15  | 5080240-12      | 32  | 5080240-19 |     |            |
| 16  | 5080240-13 kpl. | 33  | 5080240-50 |     |            |
| 17  | 5080240-14      | 34  | 5080240-51 |     |            |

# MOTOR



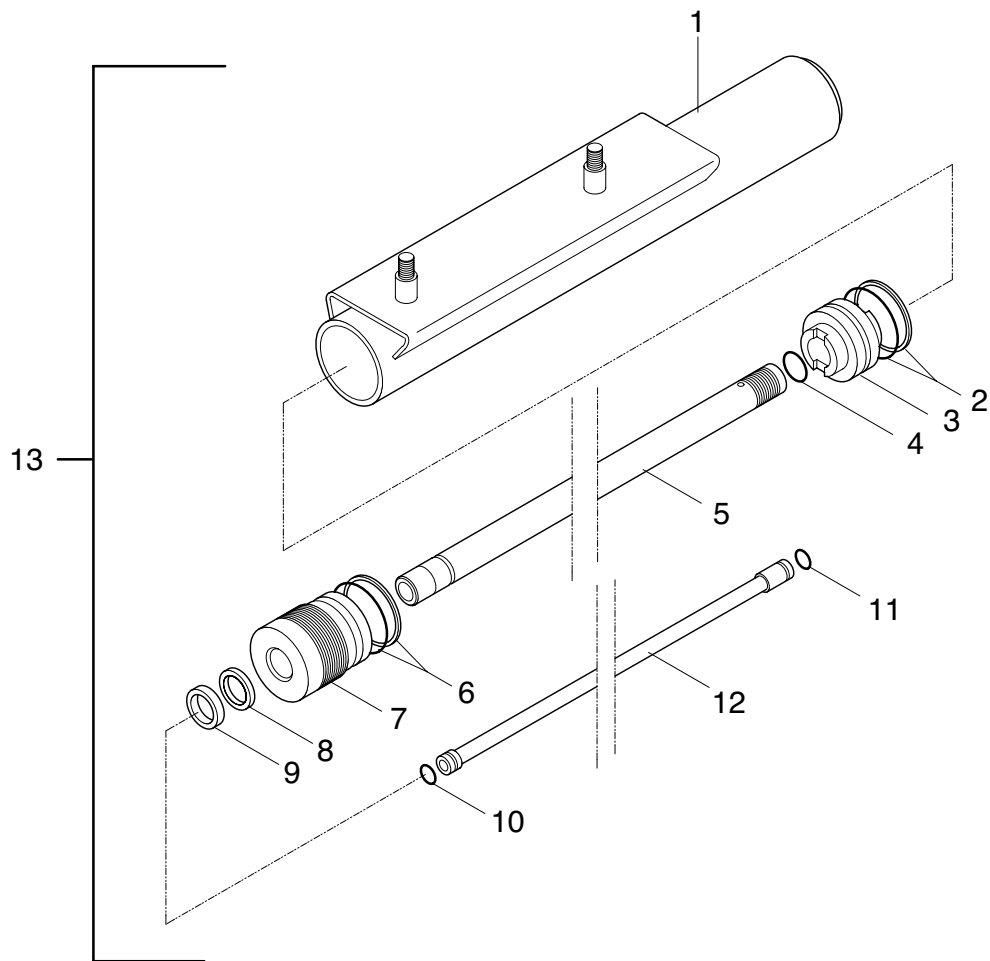
| Nr. | Art. Nr.   | Nr. | Art. Nr.   | Nr. | Art. Nr. |
|-----|------------|-----|------------|-----|----------|
| 1   | 5080240-26 | 19  | 5080240-74 |     |          |
| 2   | 5080240-25 | 20  | 5080240-27 |     |          |
| 3   | 5080240-58 | 21  | 5080240-75 |     |          |
| 4   | 5080240-59 | 22  | 5080240-76 |     |          |
| 5   | 5080240-60 | 23  | 5080240-77 |     |          |
| 6   | 5080240-61 | 24  | 5080240-78 |     |          |
| 7   | 5080240-62 | 25  | 5080240-79 |     |          |
| 8   | 5080240-63 | 26  | 5080240-80 |     |          |
| 9   | 5080240-64 | 27  | 5080240-28 |     |          |
| 10  | 5080240-65 | 28  | 5080240-81 |     |          |
| 11  | 5080240-66 | 29  | 5080240-34 |     |          |
| 12  | 5080240-67 | 30  | 5080240-82 |     |          |
| 13  | 5080240-68 | 31  | 5080240-83 |     |          |
| 14  | 5080240-69 | 32  | 5080240-31 |     |          |
| 15  | 5080240-70 | 33  | 5080240-84 |     |          |
| 16  | 5080240-71 |     |            |     |          |
| 17  | 5080240-72 |     |            |     |          |
| 18  | 5080240-73 |     |            |     |          |

# VENTIL



| Nr. | Art. Nr.   | Nr. | Art. Nr. | Nr. | Art. Nr. |
|-----|------------|-----|----------|-----|----------|
| 1   | 5080240-38 |     |          |     |          |
| 2   | 5080240-85 |     |          |     |          |
| 3   | 5080240-86 |     |          |     |          |
| 4   | 5080240-87 |     |          |     |          |
| 5   | 5080240-88 |     |          |     |          |
| 6   | 5080240-89 |     |          |     |          |
| 7   | 5080240-90 |     |          |     |          |
| 8   | 5080240-91 |     |          |     |          |
| 9   | 5080240-92 |     |          |     |          |
| 10  | 5080240-13 |     |          |     |          |

# SYLINDER



| Nr. | Art. Nr.    | Nr. | Art. Nr. | Nr. | Art. Nr. |
|-----|-------------|-----|----------|-----|----------|
| 1   | 5080240-94  |     |          |     |          |
| 2   | 5080240-95* |     |          |     |          |
| 3   | 5080240-96  |     |          |     |          |
| 4   | 5080240-97* |     |          |     |          |
| 5   | 5080240-98  |     |          |     |          |
| 6   | 5080240-99* |     |          |     |          |
| 7   | 5080241-00  |     |          |     |          |
| 8   | 5080241-01* |     |          |     |          |
| 9   | 5080241-02* |     |          |     |          |
| 10  | 5080241-03* |     |          |     |          |
| 11  | 5080241-04* |     |          |     |          |
| 12  | 5080241-05  |     |          |     |          |
| 13  | 5080241-06  |     |          |     |          |

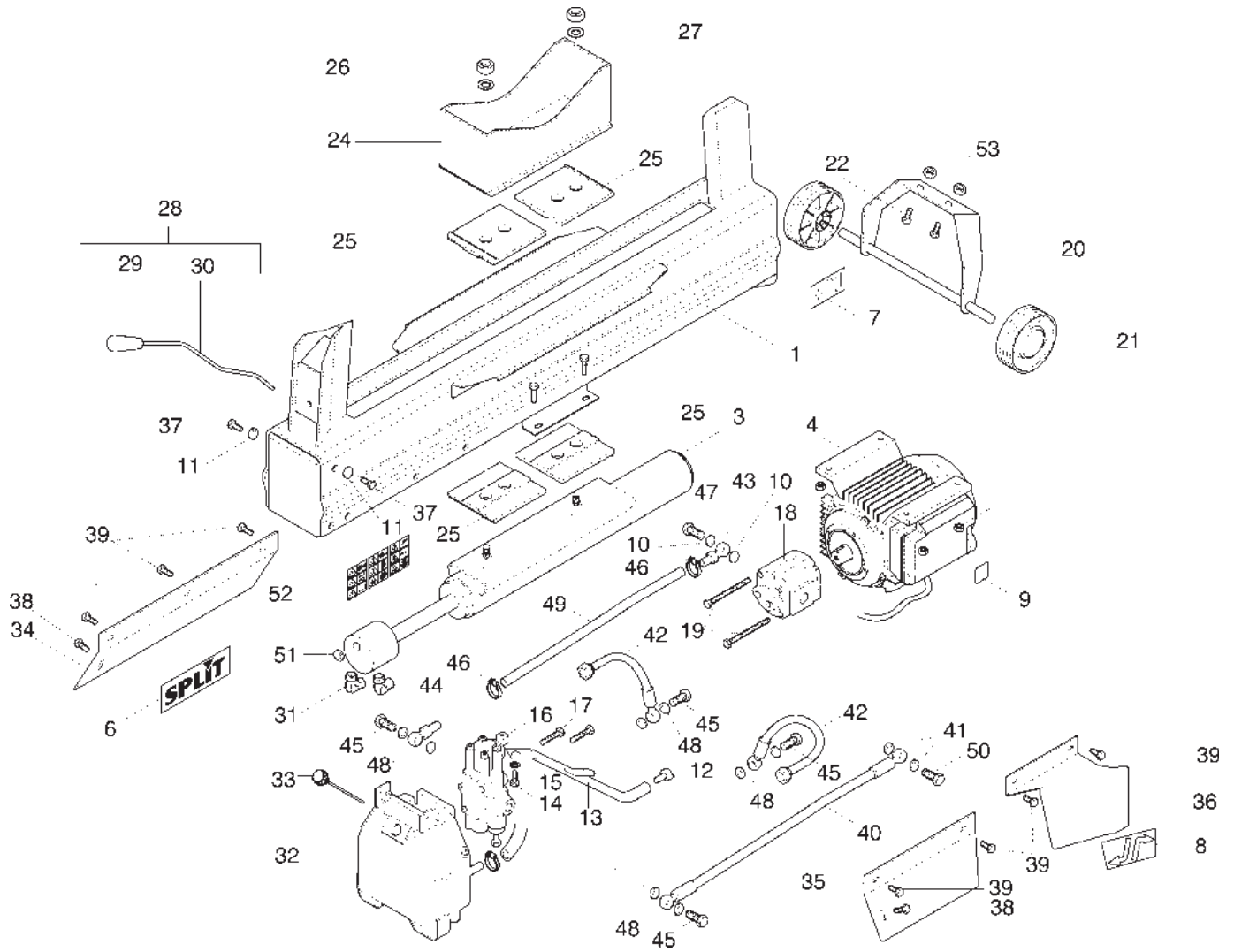
\*5080241-07 Pakningssett sylinder

# SPLIT 401

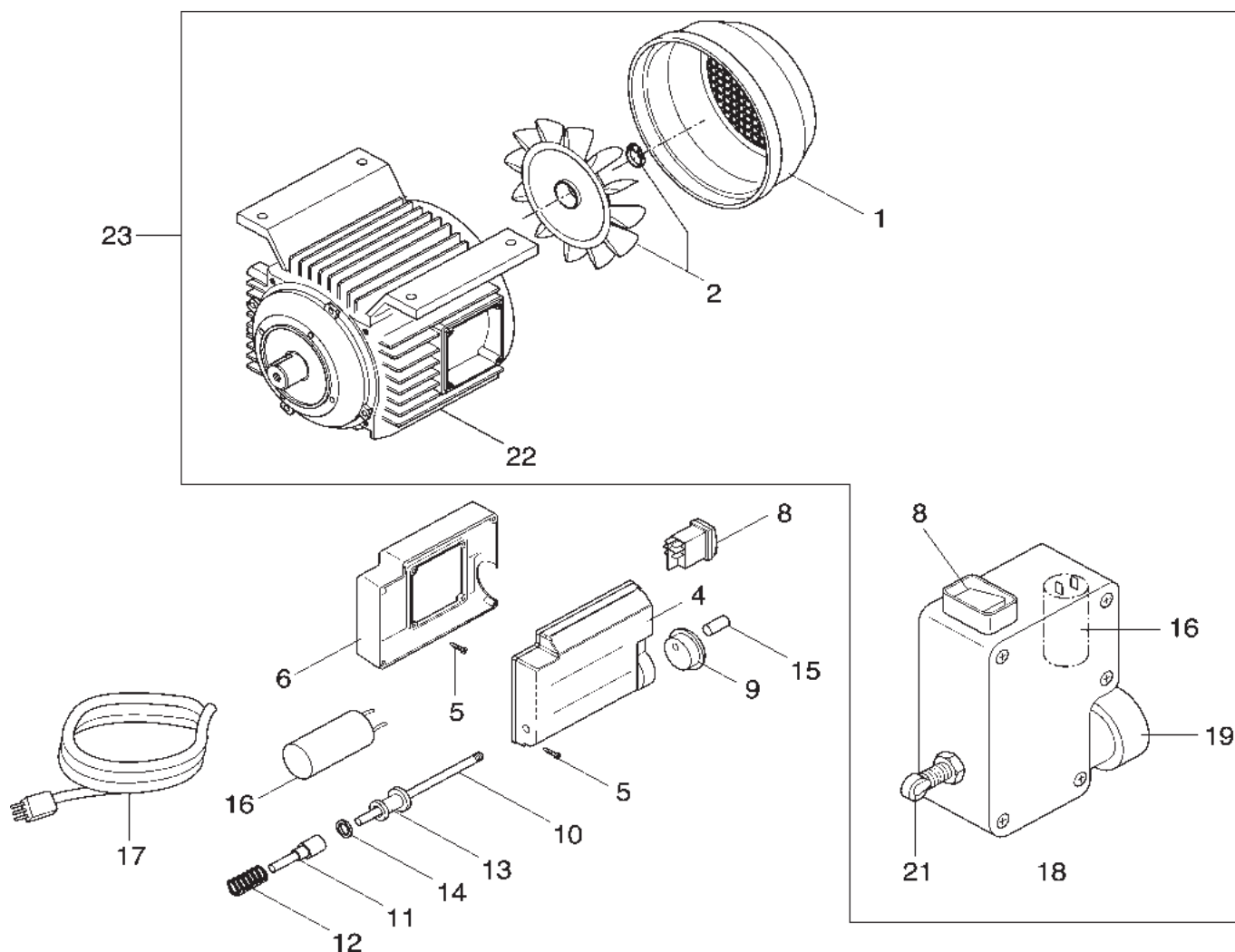
## FIGUR

| Nr. | BESKIVELSE        |
|-----|-------------------|
| 1   | Ramme             |
| 2   | Motor             |
| 3   | Ventil / Cylinder |

## RAMME



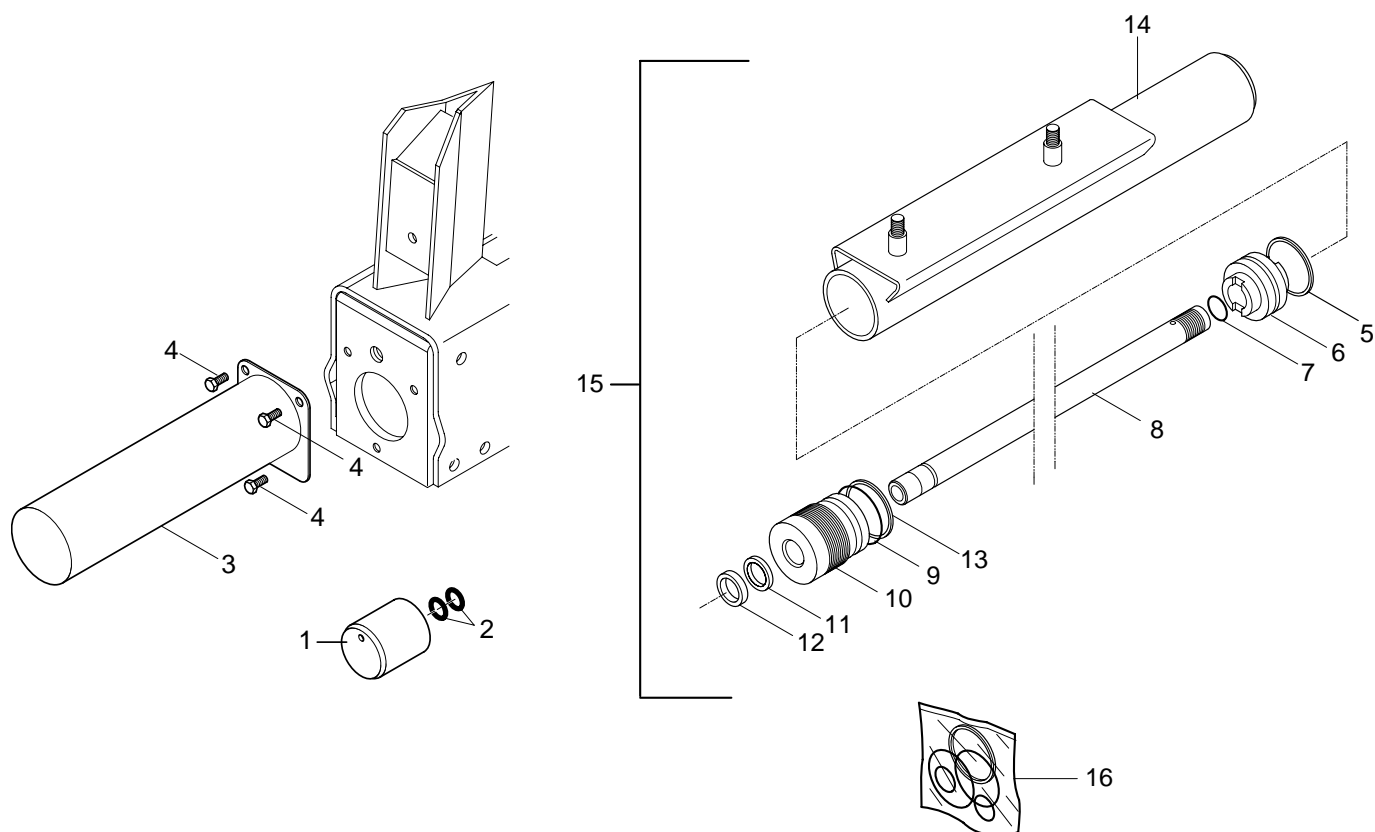
| Nr. | Art. Nr.   | Nr. | Art. Nr.   | Nr. | Art. Nr.   |
|-----|------------|-----|------------|-----|------------|
| 1   | 5080245-07 | 21  | 5080245-25 | 40  | 5080245-44 |
| 3   | 5080245-02 | 22  | 5080245-26 | 41  | 5080245-45 |
| 4   | 5080245-77 | 23  | 5080245-27 | 42  | 5080245-46 |
| 5   | 5080245-10 | 24  | 5080245-28 | 43  | 5080245-47 |
| 6   | 5080245-11 | 25  | 5080245-29 | 44  | 5080245-48 |
| 7   | 5080245-12 | 26  | 5080245-30 | 45  | 5080245-49 |
| 8   | 5080245-13 | 27  | 5080245-31 | 46  | 5080245-50 |
| 9   | 5080245-14 | 28  | 5080245-32 | 47  | 5080245-51 |
| 10  | 5080245-15 | 29  | 5080245-33 | 48  | 5080245-52 |
| 11  | 5080245-16 | 30  | 5080245-34 | 49  | 5080245-53 |
| 12  | 5080245-17 | 31  | 5080245-35 | 50  | 5080245-54 |
| 13  | 5080245-18 | 32  | 5080245-36 | 51  | 5080245-55 |
| 14  | 5080245-19 | 33  | 5080245-37 | 52  | 5080245-56 |
| 15  | 5080245-20 | 34  | 5080245-38 | 53  | 5080245-57 |
| 16  | 5080245-06 | 35  | 5080245-39 |     |            |
| 17  | 5080245-21 | 36  | 5080245-40 |     |            |
| 18  | 5080245-22 | 37  | 5080245-41 |     |            |
| 19  | 5080245-23 | 38  | 5080245-42 |     |            |
| 20  | 5080245-24 | 39  | 5080245-43 |     |            |



| Nr. | Art. Nr.     | Nr. | Art. Nr.   | Nr. | Art. Nr. |
|-----|--------------|-----|------------|-----|----------|
| 1   | 5080245-58   | 23  | 5080245-78 |     |          |
| 2   | 5080245-04   |     |            |     |          |
| 4   | 5080245-60 ○ |     |            |     |          |
| 5   | 5080245-61 ○ |     |            |     |          |
| 6   | 5080245-62 ○ |     |            |     |          |
| 8   | 5080245-03 ○ |     |            |     |          |
| 9   | 5080245-64 ○ |     |            |     |          |
| 10  | 5080245-65 ○ |     |            |     |          |
| 11  | 5080245-66 ○ |     |            |     |          |
| 12  | 5080245-67 ○ |     |            |     |          |
| 13  | 5080245-68 ○ |     |            |     |          |
| 14  | 5080245-69 ○ |     |            |     |          |
| 15  | 5080245-70 ○ |     |            |     |          |
| 16  | 5080245-71   |     |            |     |          |
| 17  | 5080245-72 ○ |     |            |     |          |
| 18  | 5080245-73 ● |     |            |     |          |
| 19  | 5080245-74 ● |     |            |     |          |
| 21  | 5080245-76 ● |     |            |     |          |
| 22  | 5080245-77   |     |            |     |          |

→ ○ op til serienr. 2132  
 ● → fra serienr. 2133





| Nr. | Art. Nr.   | Nr. | Art. Nr. | Nr. | Art. Nr. |
|-----|------------|-----|----------|-----|----------|
| 1   | 5080245-78 |     |          |     |          |
| 2   | 5080245-05 |     |          |     |          |
| 4   | 5080245-79 |     |          |     |          |
| 5   | 5080245-80 |     |          |     |          |
| 6   | 5080245-81 |     |          |     |          |
| 7   | 5080245-82 |     |          |     |          |
| 8   | 5080245-83 |     |          |     |          |
| 9   | 5080245-84 |     |          |     |          |
| 10  | 5080245-85 |     |          |     |          |
| 11  | 5080245-86 |     |          |     |          |
| 12  | 5080245-87 |     |          |     |          |
| 13  | 5080245-88 |     |          |     |          |
| 14  | 5080245-89 |     |          |     |          |
| 15  | 5080245-02 |     |          |     |          |
| 16  | 5080245-90 |     |          |     |          |

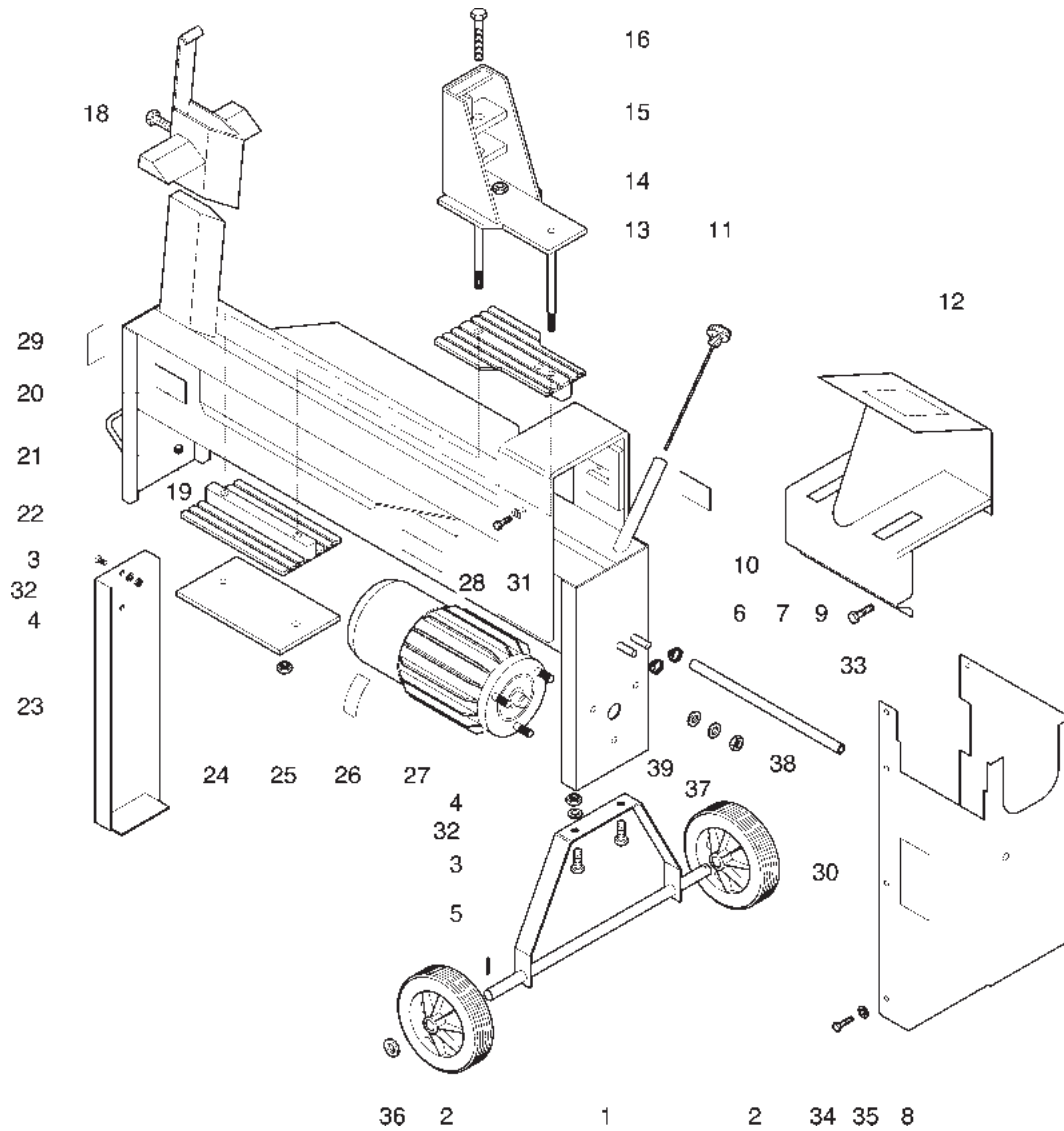
# SPLIT 6000

## FIGUR

| Nr. | BESKRIVELSE |
|-----|-------------|
| 1   | Ramme       |
| 2   | Hydraulikk  |
| 3   | Motor       |

# SPLIT 6000

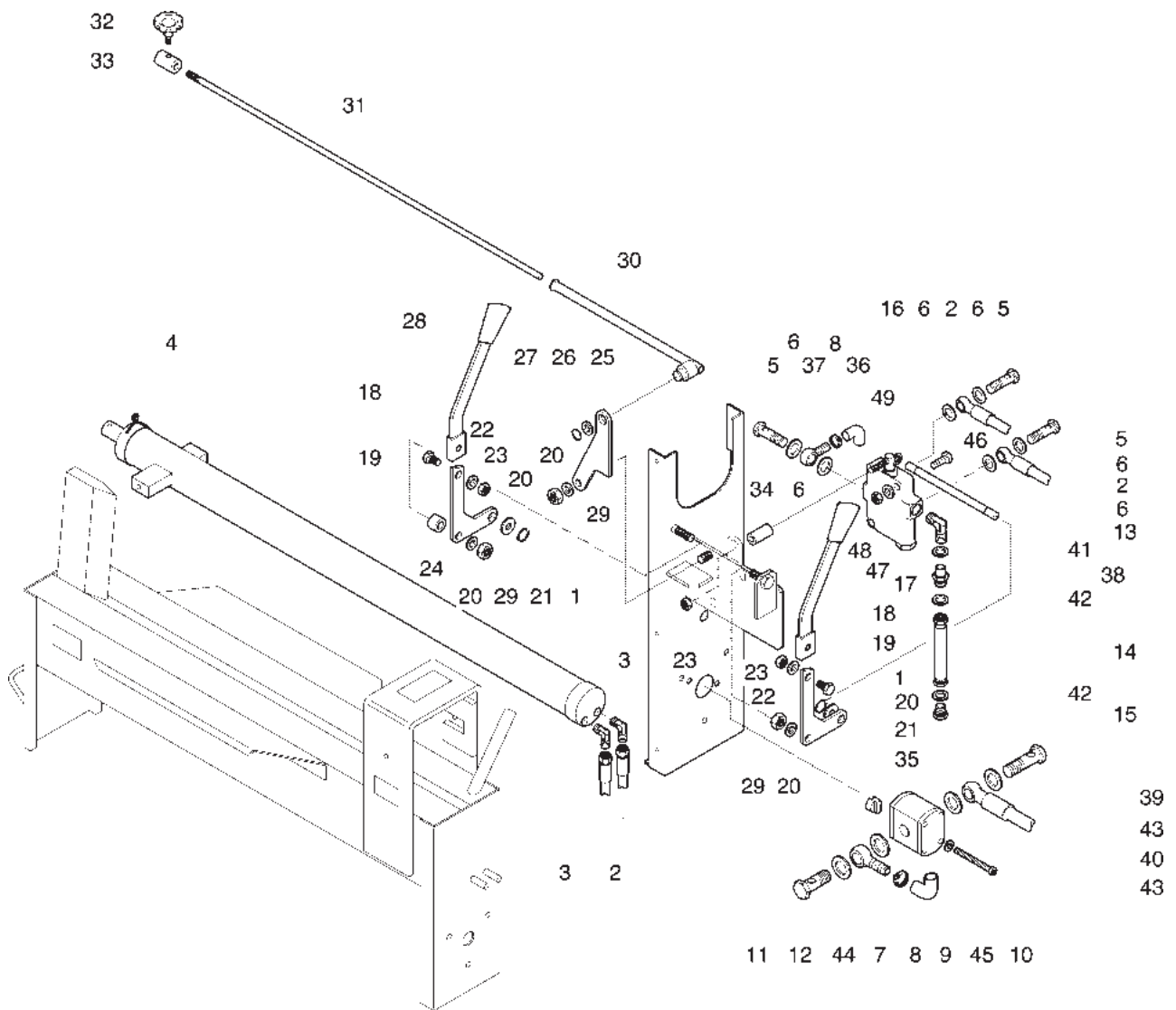
## RAMME



| Nr. | Art. Nr.   | Nr. | Art. Nr.   | Nr. | Art. Nr.   |
|-----|------------|-----|------------|-----|------------|
| 1   | 5080250-3  | 20  | 5080250-20 | 38  | 5080250-38 |
| 2   | 5080250-4  | 21  | 5080250-21 | 39  | 5080250-39 |
| 3   | 5080250-5  | 22  | 5080250-22 |     |            |
| 4   | 5080250-6  | 23  | 5080250-23 |     |            |
| 5   | 5080250-7  | 24  | 5080250-24 |     |            |
| 6   | 5080250-8  | 25  | 5080250-25 |     |            |
| 7   | 5080250-9  | 26  | 5080250-26 |     |            |
| 8   | 5080250-10 | 27  | 5080250-27 |     |            |
| 9   | 5080250-11 | 28  | 5080250-28 |     |            |
| 10  | 5080250-12 | 29  | 5080250-29 |     |            |
| 11  | 5080250-13 | 30  | 5080250-30 |     |            |
| 12  | 5080250-14 | 31  | 5080250-31 |     |            |
| 13  | 5080250-02 | 32  | 5080250-32 |     |            |
| 14  | 5080250-15 | 33  | 5080250-33 |     |            |
| 15  | 5080250-16 | 34  | 5080250-34 |     |            |
| 16  | 5080250-17 | 35  | 5080250-35 |     |            |
| 18  | 5080250-18 | 36  | 5080250-36 |     |            |
| 19  | 5080250-19 | 37  | 5080250-37 |     |            |

# SPLIT 6000

## HYDRAULIKK

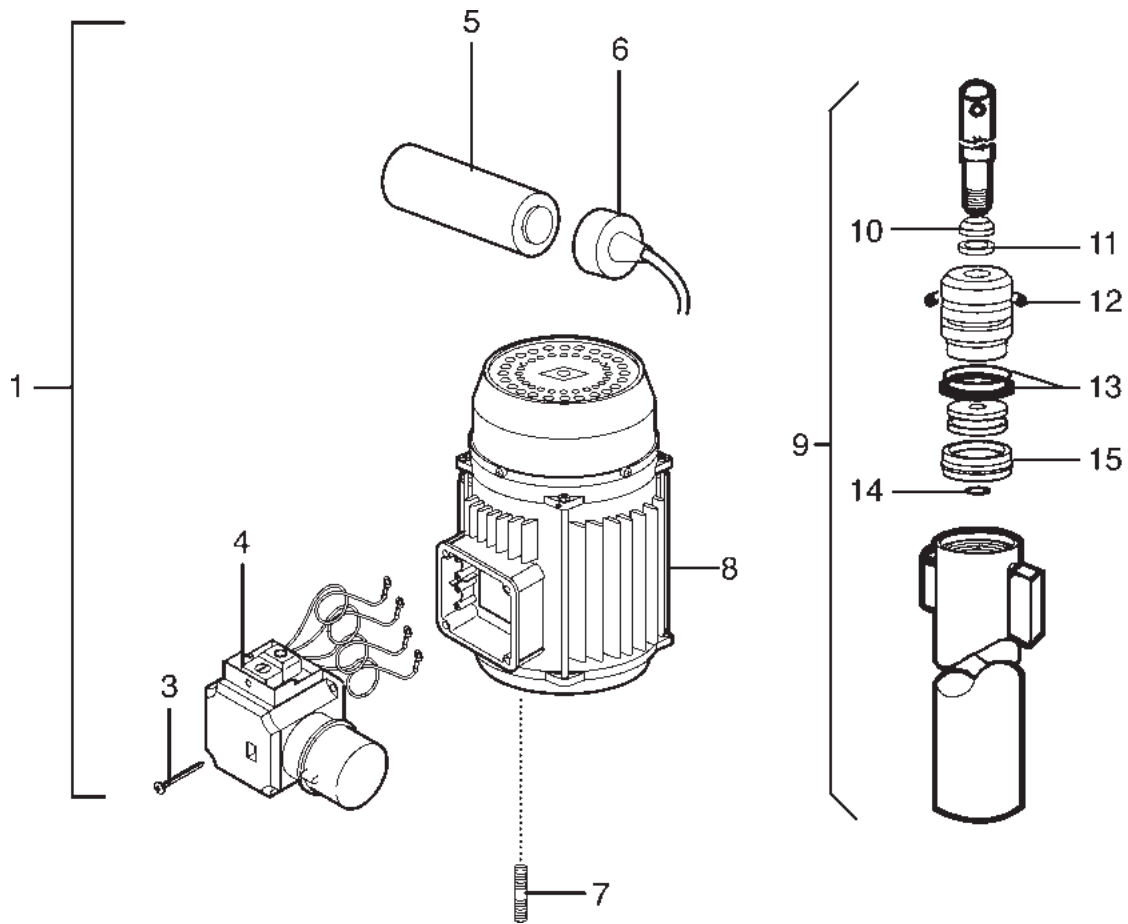


| Nr. | Art. Nr.   | Nr. | Art. Nr.   | Nr. | Art. Nr.   |
|-----|------------|-----|------------|-----|------------|
| 1   | 5080250-40 | 19  | 5080250-58 | 37  | 5080250-75 |
| 2   | 5080250-41 | 20  | 5080250-59 | 38  | 5080250-76 |
| 3   | 5080250-42 | 21  | 5080250-60 | 39  | 5080250-77 |
| 4   | 5080250-43 | 22  | 5080250-61 | 40  | 5080250-78 |
| 5   | 5080250-44 | 23  | 5080250-62 | 41  | 5080250-79 |
| 6   | 5080250-45 | 24  | 5080250-63 | 42  | 5080250-80 |
| 7   | 5080250-46 | 25  | 5080250-64 | 43  | 5080250-81 |
| 8   | 5080250-47 | 26  | 5080250-65 | 44  | 5080250-82 |
| 9   | 5080250-48 | 27  | 5080250-66 | 45  | 5080250-83 |
| 10  | 5080250-49 | 28  | 5080250-67 | 46  | 5080250-84 |
| 11  | 5080250-50 | 29  | 5080250-68 | 47  | 5080250-85 |
| 12  | 5080250-51 | 30  | 5080250-69 | 48  | 5080250-86 |
| 13  | 5080250-52 | 31  | 5080250-70 | 49  | 5080250-87 |
| 14  | 5080250-53 | 32  | 5080250-71 |     |            |
| 15  | 5080250-54 | 33  | 5080250-72 |     |            |
| 16  | 5080250-55 | 34  | 5080250-73 |     |            |
| 17  | 5080250-56 | 35  | 5080250-01 |     |            |
| 18  | 5080250-57 | 36  | 5080250-74 |     |            |

NB: Pakningssett sylinder 5080250-88

# SPLIT 6000

## MOTOR



| Nr. | Art. Nr.   | Nr. | Art. Nr. | Nr. | Art. Nr. |
|-----|------------|-----|----------|-----|----------|
| 1   | 5080250-89 |     |          |     |          |
| 3   | 5080250-90 |     |          |     |          |
| 4   | 5080250-91 |     |          |     |          |
| 5   | 5080250-92 |     |          |     |          |
| 6   | 5080250-93 |     |          |     |          |
| 7   | 5080250-94 |     |          |     |          |
| 8   | 5080250-95 |     |          |     |          |
| 9   | 5080250-96 |     |          |     |          |
| 10  | 5080250-97 |     |          |     |          |
| 11  | 5080250-98 |     |          |     |          |
| 12  | 5080250-99 |     |          |     |          |
| 13  | 5080251-00 |     |          |     |          |
| 14  | 5080251-01 |     |          |     |          |
| 15  | 5080251-02 |     |          |     |          |