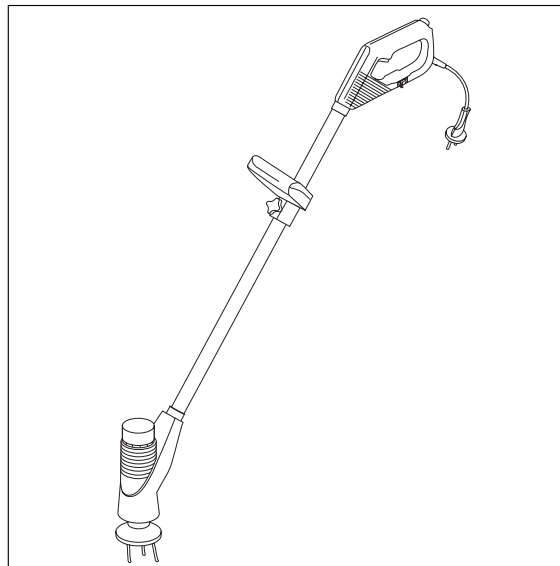




Elektro-Bodenkrümler 250 mit Kreiselrechen
Electric Tiller 250 with rotating rake
Emietteur-aérateur électrique 250
Elektrische borderfrees 250 met roterende hark
Elektrisk Myllare 250 med roterande kratta
Dissodatore elettrico 250 con disco spianatore
Desmenuzador eléctrico 250
con rastrillo rotativo
Cultivador eléctrico 250 com ancinho rotativo



Gebrauchsanweisung
Operating Instructions
Mode d'emploi
Gebruiksaanwijzing
Bruksanvisning
Istruzioni per l'uso
Manual de instrucciones
Instruções de manejo

Beachten Sie die Sicherheitshinweise auf dem Gerät:
 Please adhere to the following safety instructions on the unit:
 Veuillez observer les instructions de sécurité figurant sur l'appareil :
 Houdt u zich aan de veiligheidsvoorschriften op het apparaat:
 Följ bruksanvisningarna noga:
 Attenzione ai simboli di sicurezza sull'apparecchio:
 Observen las indicaciones de seguridad en el aparato:
 Por favor siga atentamente as instruções de segurança fornecidas no aparelho:



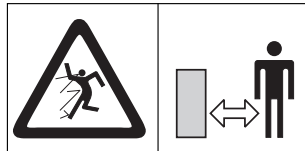
**Achtung! Vor Inbetriebnahme
 Gebrauchsanweisung lesen!
 Warning! Read instruction
 handbook!
 Attention ! Merci de lire atten-
 tivement le mode d'emploi
 avant d'utiliser cet appareil !
 Let op! Voor ingebruikname
 gebruiksaanwijzing doorlezen!
 OBS! Läs igenom bruksanvis-
 ningarna noga före användning!**

**Attenzione ! Prima di mettere
 in funzione l'attrezzo, leggere
 attentamente le istruzioni per
 l'uso!
 ¡Atención! Antes de la puesta
 en marcha, lea el presente
 manual de instrucciones.
 Atenção! Leia o Manual de
 instruções antes de utilizar
 o aparelho!**



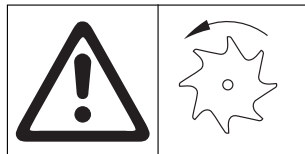
**Vor Regen und Nässe
 schützen!
 Do not use in rain or wet
 conditions!
 Protégez l'appareil de la pluie
 et de l'humidité !
 Stel het apparaat niet bloot
 aan vocht!
 Använd inte maskinen i regn
 eller fuktig miljö!**

**Non esporre l'attrezzo all'umidità
 o alla pioggia!
 ¡Proteja el aparato de la lluvia
 y la humedad!
 Proteja o aparelho da chuva
 e da humidade!**



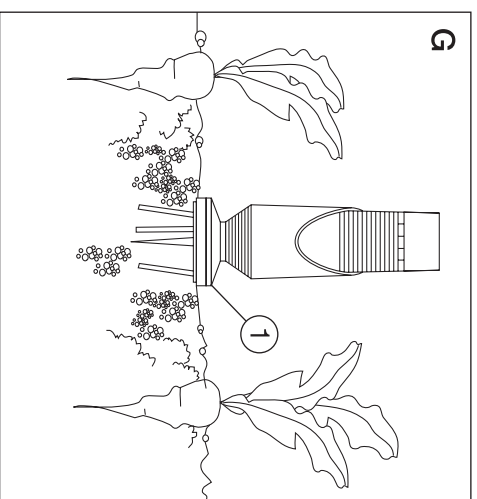
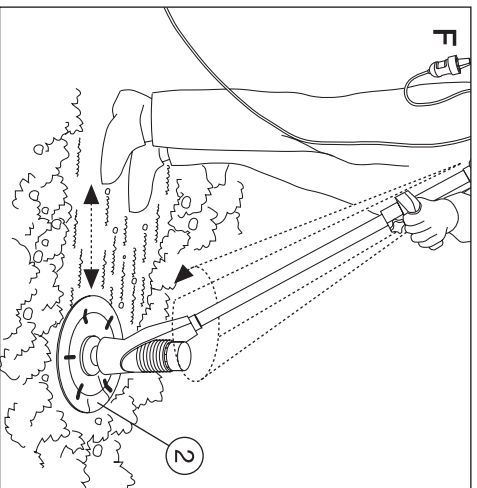
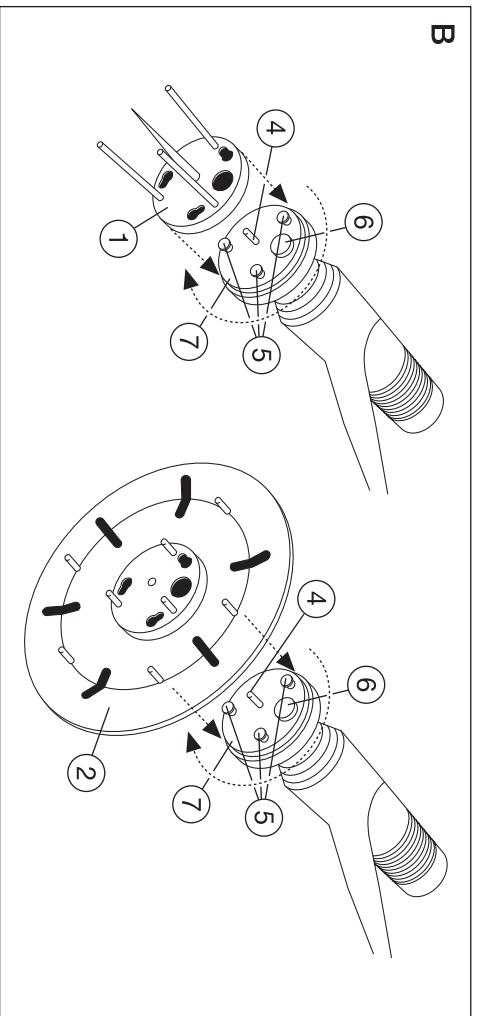
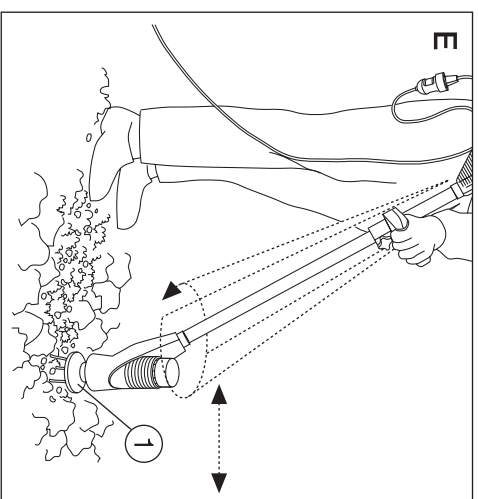
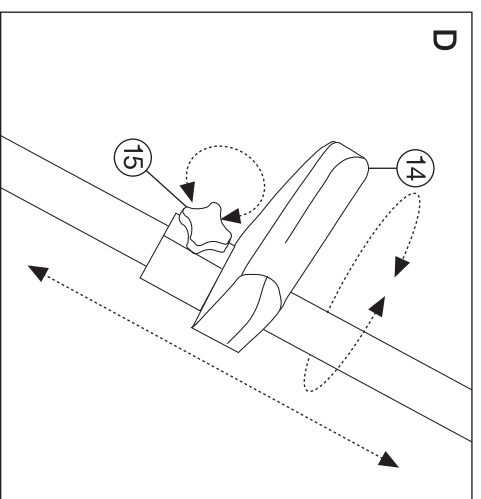
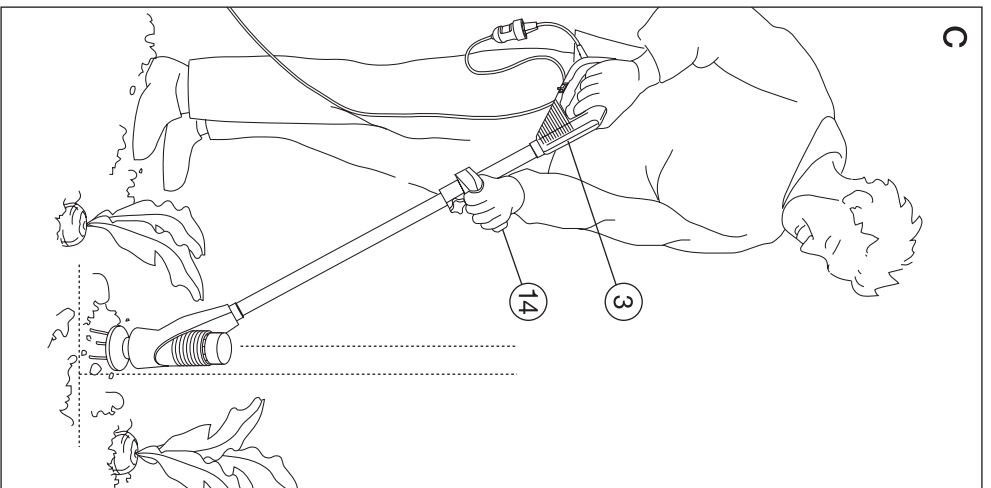
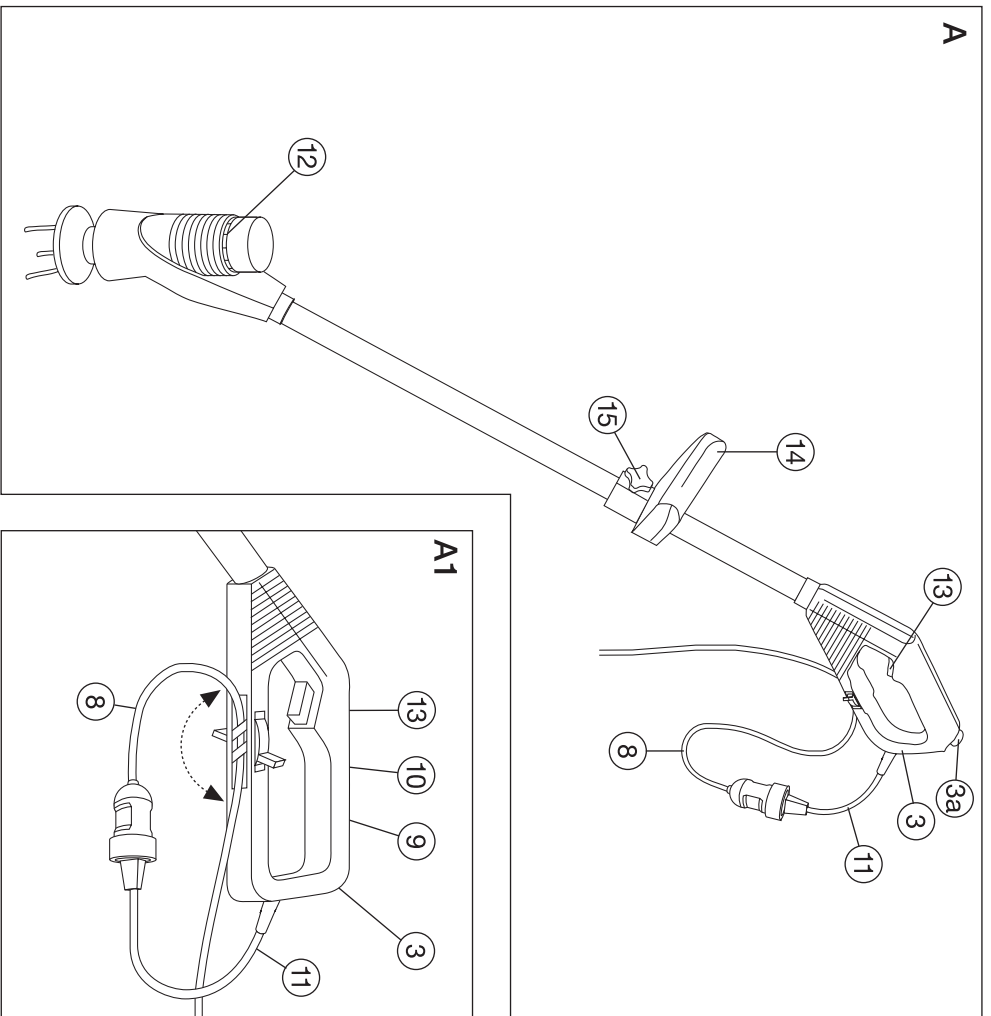
**Dritte aus dem Gefahrenbereich
 fernhalten!
 Keep bystanders away!
 Maintenez tout tiers hors de la
 zone de travail !
 Zorg ervoor dat derden buiten
 de gevarezone blijven!
 Tillse att inga obehöriga vistas
 inom arbetsområdet!**

**Tenere lontano i terzi dalla zona
 di lavoro!
 ¡Mantenga a terceros fuera del
 área de trabajo!
 Mantenha terceiros fora da área
 de perigo!**



**Umlaufendes Werkzeug!
 Tool goes behind!
 L'appareil tourne encore !
 Apparaat loopt na!
 Verktyget fortsätter att rotera
 något efter avstängning.**

**Attenzione! Pericolo!
 L'utensile in rotazione può
 causare lesioni!
 El aparato en funcionamiento
 puede causar lesiones.
 O aparelho depois de desligado
 ainda levará uns instantes até
 parar totalmente.**



GARDENA Electric Tiller 250 with rotating rake

1. Technical data

Power consumption	W	250
Mains voltage	V	230
Frequency	Hz	50/60
Working diameter of crumbling head	mm	70
Working diameter of rotating rake	mm	250
Rotation speed of accessory tools	rpm	280
Weight	kg	2.0
Working area related emission characteristic value $L_{PA}^{1)}$	dB (A)	74
Noise level L_{WA}	dB (A)	84
Vibrations $a_{vhw}^{1)}$	ms^{-2}	< 2.5

¹⁾ Measuring method pursuant to EN 786

2. Information regarding the operating instructions

Please read and follow these operating instructions carefully. Familiarise yourself with the unit's features, its proper use and the safety instructions included.

! For safety reasons children under the age of 16 or people who are not familiar with these operating instructions should not use this Tiller.

Please keep these operating instructions in a safe place.

3. Product use

The GARDENA Electric Tiller 250 is designed for loosening and levelling smaller cultivated surfaces in private house and hobby gardens.

This Tiller is for private use only and is not designed for use in

public facilities, parks, sporting grounds, roads, agriculture or forestry.

It is essential to observe the manufacturer's operating instructions to ensure the unit's proper functioning. These instructions

also contain advice for service, maintenance and repair.

! Attention! For safety reasons the unit **must not** be used for scarifying lawn surfaces.

4. Initial operation (ill. A-G)

4.1 Assembly / changing the accessory tools (ill. A/A1/B)

The Tiller is delivered with two unassembled accessory tools. The crumbling head (1) serves to crumble the upper layer of soil of a cultivated surface. The rotating rake (2) serves to finely level after crumbling.

Assembly of an accessory tool

1. Always disconnect the mains plug before working on your Tiller!
2. Stand the Tiller on the handle (3). The rubber stopper (3a) prevents slipping and damage to the handle.
3. Place the accessory tool (crumbling head (1) or rotating rake (2)) onto the three bayonet pins (5) by means of the centre pin (4) and press down. Turn the accessory tool clockwise until the red safety knob (6) snaps in.

Changing the accessory tool

1. Always disconnect the mains plug before working on your Tiller!
2. Stand the Tiller on the handle (3). The rubber stopper (3a) prevents slipping and damage to the handle.
3. To unlock and remove the accessory tool (crumbling head or rotating rake), simultaneously press the red safety knob (6) and turn the accessory tool counter clockwise.
4. Assembly as described above.

Attention! Before assembly or exchanging an accessory tool always clear the head support (7) of possible remaining soil (also refer to point 5. Maintenance / Service / Storage).

4.2 Connection of the tiller – cable lock / extension cable (ill. A/A1)

Insert the extension cable (8) into the clamping fixture of the cable lock (9) and secure by turning the holder (10). The cable lock prevents unintentional separation of the electrical plugs. Connect to the mains (11).

4.3 Working position (ill. C)

Just lift the unit by the handle (3) and guide handle (14). The accessory tool is guided vertically over the cultivated surface.

4.4 Adjusting the guide handle to correct working position (ill. D)

By loosening the fastening screw (15) the guide handle (14) can conveniently be adjusted according to user's height and area of use.

4.5 Operation (ill. A/A1/C-G)

Switch the unit on by pressing the starting switch (13) on the handle (3). The Tiller automatically switches off when releasing the starting switch (13).

Hold the Tiller in normal working position before switching on (see ill. C/E/F).

! The safety devices installed by the manufacturer must not be removed or by-passed, e.g. by binding the on/off switch to the handle. This will prevent the Tiller switching off automatically, and may cause serious injury.

Attention! The tiller will take a while to stop running after the unit is switched off.

4.6 Working with the Tiller on cultivated surfaces (ill. C/E-G)

Crumbling of friable soil conditions (ill. E)

For assembly of the crumbling head (1) see point 4.1.

For preparation of a cultivated area with friable conditions in

early spring, and for fine crumbling when preparing beds for sowing.

Guide the crumbling head (1) vertically in the soil. To ease the load, start the Tiller just before dipping into the soil surface.

A fine crumbling structure of the upper layer of soil is obtained by pulling in circular movements.

Levelling of areas with the rotating rake (ill. F)

For assembly of the rotating rake (2) see point 4.1.

To level the soil surface, move the rotating rake (2) evenly across the pre-crumbled soil in circular movements.

Crumbling between plants (ill. C/G)

For assembly of the crumbling head (1) see point 4.1.

The Tiller with crumbling head (1) is especially suitable for fine crumbling and loosening of soil around existing plants.

5. Maintenance / Service / Storage

The GARDENA Tiller requires minimal maintenance.

Please make sure that the cooling air outlet (12) is always clean.

Remaining soil and dirt should be removed with a dry rag or brush. Remaining soil and dirt should be removed after each use.

Repairs may only be carried out by GARDENA Service Centres or dealers authorised by GARDENA.

! Attention! Always disconnect the mains plug before working on the Tiller (checking, cleaning, maintenance). Risk of injury!

To avoid injury to persons and product damage: Never clean the Tiller with running water or with a water jet, in particular a high pressure water jet.

Store the Tiller in a dry place where it is protected from frost. The Tiller should be stored out of the reach of children.

Observe the manufacturer's assembly hints when attaching or exchanging the accessory tools.

If you have any problem with your Tiller, please contact our Customer Service or return the defective unit together with a short description of the problem and, if covered under guarantee,

with the warranty card duly completed and signed, directly to one of the GARDENA Service Centres listed on the back of this leaflet.

We expressly point out that, in accordance with the product liability law, we are not liable for any damage caused by our units if it is due to improper repair or if parts exchanged are not original GARDENA parts or parts approved by us, and, if the repairs were not carried out by a GARDENA Service Centre or an authorised specialist. The same applies to spare parts and accessories.

6. Advice for proper use, safety instructions

Inspect the unit before each use

Before each use, inspect the Tiller. Do not use the Tiller if safety devices (starting switch) and/or accessory tools have been damaged or are worn. Never by-pass safety devices.

Inspect the area to be cultivated before and during work. Remove any obstructions such as stones. During work look out for obstructions.

If, in spite of care, you come into contact with an obstruction whilst cutting, turn off the Tiller and remove it. Check the unit for possible damage and have it repaired, if necessary.

Use/Responsibility

This Tiller can cause serious injuries!

Only use the Tiller for the purposes specified in these instructions.

You are responsible for the safety in the working area.

Make sure that there are no other people (especially children) or animals within or near the working area.

Never use the Tiller with damaged or defective accessory tools!

The mains plug should be disconnected after use and the Tiller – especially the accessory tools – should regularly be checked for damages and adequately be repaired if necessary.

Wear eye protection or protective glasses!

Wear sturdy shoes and long trousers to protect your legs. Keep hands and feet away from the accessory tools – above all, when starting work.

Ensure that you have secure foothold whilst working. The extension cable should always be kept away from the working area. Attention! Take extra care when walking backwards. You may stumble.

Only work when the visibility is good.

Interrupting work

Never leave the Tiller unattended in the working place. If you stop work, store the Tiller in a safe place. Disconnect the mains plug!

Should you stop work in order to get to another working place, always switch off the Tiller, wait until the tool stops and disconnect the mains plug!

Work place safety

Make yourself familiar with the surroundings and look out for dangers which you may not detect due to machinery noise.

Never use the Tiller when it is raining or in a damp, wet area.

Do not use the Tiller in or near swimming pools or ponds.

Electrical safety

Check the power cable regularly for damages and signs of wear and tear.

The Tiller must only be operated with an undamaged electrical cable. If the mains or extension cable is damaged, disconnect the mains plug immediately.

The socket of an extension cable should be waterproof.

Only use permitted extension cables. Ask your electrician.

For portable units which are used outdoors, we recommend to use a fault circuit breaker.

In Switzerland use of fault circuit breaker is obligatory.

EU Certificate of Conformity

The undersigned

GARDENA Kress + Kastner GmbH · Hans-Lorensen-Str. 40 · D-89079 Ulm

hereby certifies that, when leaving our factory, the units indicated below are in accordance with the harmonised EU guidelines, EU standards of safety and product specific standards.

This certificate becomes void if the units are modified without our approval.

Description of the unit:

Electric Tiller

Type: 250

Art. No.: 2412

EU directives:

Machinery Directive 89/392/EC
mod. 91/368/EC
Electromagnetic Compatibility
89/336/EC
Low Voltage Directive 73/23/EC
Directive 93/68/EC

Harmonised

European standards:

EN 292-1
EN 292-2
EN 60335-1

National standards:

DIN VDE 0730-1
DIN VDE 0730-2 ZP

Year of CE marking:

1996

Ulm, 11.11.1996


J. Katzer
Technical Dept. Manager

D

Garantie

GARDENA gewährt für dieses Produkt 1 Jahr Garantie (ab Kaufdatum). Diese Garantieleistung bezieht sich auf alle wesentlichen Mängel des Gerätes, die nachweislich auf Material- oder Fabrikationsfehler zurückzuführen sind. Sie erfolgt durch die Ersatzlieferung eines einwandfreien Gerätes oder durch die kostenlose Reparatur des eingesandten Gerätes nach unserer Wahl, wenn folgende Voraussetzungen gewährleistet sind:

- Das Gerät wurde sachgemäß und laut den Empfehlungen in der Gebrauchsanweisung behandelt. Es wurde weder vom Käufer noch von einem Dritten versucht, das Gerät zu reparieren.
- Das Gerät wurde ausreichend frankiert direkt an eine der GARDENA Servicestellen gesandt, unter Beifügung der vollständig ausgefüllten Garantiekarte bzw. des Rechnungsbeleges.

Diese Hersteller-Garantie berührt die gegenüber dem Händler/Verkäufer bestehenden Gewährleistungsansprüche nicht.

Verschleißteile (z. B. Krümlerkopf; Kreselrechen) sind von der Garantie ausgeschlossen.

GB

Guarantee

GARDENA guarantees this product for 12 months (from date of purchase). This guarantee covers all serious defects of the unit that can be proved to be material or manufacturing faults. Under guarantee we will either replace the unit or repair it free of charge if the following conditions apply:

- The unit must have been handled properly and in keep-

ing with the requirements of the operating instructions. In addition, no attempt at repair by the customer or a non-authorised third party is permitted.

- The unit is returned directly postage paid to a GARDENA Service Centre together with the warranty card duly completed and signed.

This manufacturer's guarantee does not affect the user's existing warranty claims against the dealer/seller.

Parts subject to wear (e. g. crumbling head; rotating rake) are excluded from this guarantee.

F

Garantie

Pour mieux vous servir, GARDENA accorde pour cet appareil une garantie contractuelle de 1 an à compter du jour de l'achat. Elle est assurée sur décision de GARDENA par le remplacement gratuit des pièces défectueuses ou de l'appareil.

En tout état de cause s'applique la garantie légale couvrant toutes les conséquences des défauts ou vices cachés (article 1641 et suivants du Code Civil).

Pour que ces garanties soient valables, les conditions suivantes doivent être remplies :

- L'appareil a été manipulé de manière adéquate, suivant les instructions du mode d'emploi.
- Il n'y a eu aucun essai de réparation, ni par le client, ni par un tiers.
- L'appareil et la carte de garantie dûment remplies ont été retournés en port payé au Service Après-Vente de GARDENA France.

Une intervention sous garantie ne prolonge pas la durée initiale de la garantie contractuelle.

Toutes les revendications dépassant le contenu de ce texte ne sont pas couvertes par la garantie, quel que soit le motif de droit.

Pendant la période de garantie, le Service Après-Vente effectuera, à titre payant, les réparations nécessaires par suite de manipulations erronées.

La garantie ne s'applique pas aux pièces d'usure normale (par ex. aérateur, émetteur).

NL

Garantie

GARDENA geeft op dit product 1 jaar garantie (vanaf de aankoopdatum). Deze garantie heeft betrekking op alle wezenlijke defecten aan het toestel, die aanwijsbaar op materiaal- of fabricagefouten berusten. Garantie vindt plaats door de levering van een vervangend apparaat of door de gratis reparatie van het ingestuurde apparaat, naar onze keuze, indien aan de volgende voorwaarden is voldaan:

- Het apparaat werd vakkundig en volgens de adviezen in de gebruiksaanwijzing behandeld. Noch de koper, noch een derde persoon heeft getracht het apparaat te repareren.
- Het apparaat werd voldoende gefrankeerd aan de GARDENA technische dienst gestuurd, met toevoeging van een volledig ingevulde garantietaal resp. kopie van de rekening.

Deze garantie van de producent heeft geen betrekking op de ten aanzien van de handelaar/verkoper bestaande aansprakelijkheid.

Onderdelen die aan slijtage onderhevig zijn (bijv. verkrummelkop; roterende hark) vallen niet onder de garantie.

Garantiekarte
Warranty Card
Carte de garantie
Garantiekaart
Garantikort
Certificato di garanzia
Tarjeta de garantía
Carta de garantia

GARDENA Elektro-Bodenkrümmer 250 mit Kreiselrechen
GARDENA Electric Tiller 250 with rotating rake
Emietteur-aérateur électrique 250 GARDENA, réf. 2412
GARDENA Elektrische borderfreese 250 met roterende hark
GARDENA Elektrisk Myllare 250 med roterande kratta
GARDENA Dissodatore elettrico 250 con disco spianatore
Desmenuzador eléctrico 250 GARDENA con rastrillo rotativo
Cultivador eléctrico 250 GARDENA com ancinho rotativo

wurde gekauft am:
Purchase date:
Acheté le (date et lieu d'achat) :
Werd gekocht op:
Inköpsdatum:
Data di acquisto:
Fecha de compra:
Comprado em:

Beanstandung:
Reasons for complaint:
Défaut constaté :
Klacht:
Reklamation:
Reclamo:
Avería:
Motivo de reclamação:

Händlerstempel:
Dealer's stamp/Receipt:
Cachet du revendeur :
Stempel van de handelaar:
Återförsäljarens stämpel:
Timbro del rivenditore:
Sello del comerciante:
Carimbo do vendedor:



Deutschland

GARDENA
Kress + Kastner GmbH
GARDENA Service
Hans-Lorenser-Straße 40
D-89079 Ulm
Produktfragen: (07 31) 490-123
Reparaturen: (07 31) 490-290

Argentina

Unitán s.a.i.c.a.
Paseo Colón 221 – P. 10°
1399 Buenos Aires

Australia

NYLEX Corporation Ltd.
25-29 Nepean Highway
P.O. Box 68
Mentone, Victoria 3194

Austria

GARDENA Österreich
Gesellschaft m.b.H.
Stettnerweg 11-15
2100 Korneuburg

Belgium

MARKT (Belgium) NV/SA
Sterrebeekstraat 163
1930 Zaventem

Canada

Continental Industries
100, Summerlea Road
Brampton, Ontario
Canada L6T 4X3

Chile

Comercial Maquinox
Nueva Panamericana Sur,
N° 1050
San Bernardo
Santiago de Chile

Cyprus

FARMOKIPIKI LTD
P.O. Box 7098
74, Digeni Akrita Ave.
1641 Nicosia

Czech Republic

GARDENA spol. s.r.o.
Brněnská 634
66442 Brno-Modřice

Denmark

GARDENA Danmark A/S
Bejlerholm 10
9400 Nørresundby

Finland

Habitec Oy
Martinkyläntie 52
01720 Vantaa

France

GARDENA France
Service Après-Vente
BP 50080
95948 ROISSY CDG Cedex

Great Britain

GARDENA UK Ltd.
27-28 Brenkley Way
Blezard Business Park
Seaton Burn
Newcastle upon Tyne
NE13 6DS

Greece

Agrokip
G. Psomadopoulos & Co.
20, Lykourgou str.
Kallithea
Athens

Hungary

GARDENA Magyarország Kft.
Késmárk utca 22
1158 Budapest

Iceland

Heimilistaeki hf
Saetun 8
P.O. Box 5340
125 Reykjavik

Italy

GARDENA Italia S.r.l.
Via Donizetti 22
20020 Lainate (Mi)

Japan

KAKUDAI Mfg. Co. Ltd.
1-4-4, Itachibori Nishi-ku
Osaka 550

Luxembourg

Magasins Jules Neuberg
Grand Rue 30
Case Postale No. 12
Luxembourg 2010

Netherlands

MARKT (Holland) BV
Postbus 219
1380 AE Weesp

New Zealand

NYLEX
New Zealand Limited
Head Office
22, Ormiston Road
Private Bag
South Auckland Mail Centre
Auckland

Norway

GARDENA Norge A/S
Postboks 214
2013 Skjetten

Poland

GARDENA Polska Sp. z o.o.
Orzeszyn 35 a
k/Piaseczna
05-532 Baniocza

Portugal

MARKT (Portugal), Lda.
Recta da Granja do Marquês
Algueirão
2725 Mem Martins

Russia / Россия

АО АМИДА
ул. Мосфильмовская 66
117330 Москва

Singapore

Variware
Holland Road Shopping Centre
227-A 1st Fl., Unit 29
Holland Avenue
Singapore 1027

Slowenia

Silk d.o.o. Trgovina
Brodišče 15
1236 Trzin

South Africa

GARDENA
South Africa (Pty.) Ltd.
P.O. Box 11534
Vorna Valley 1686

Spain

ANMI Andreu y Miriam S.A.
Calle Pere IV, 111
08018 Barcelona

Sweden

GARDENA Svenska AB
Box 9003
20039 Malmö

Switzerland

GARDENA Kress + Kastner AG
Bitziberg 1
8184 Bachenbülach

Turkey

Bahçe Tarım ve Sulama
Araçları Ticaret A.Ş.
Soğanlık Yolu, Yalınız
Selvi Sok. No: 21
81440 Kartal-İstanbul

USA

GARDENA
3085 Shawnee Drive
Winchester, VA 22604

2412-20.960.01/0962
GARDENA Kress + Kastner GmbH
Postfach 27 47, D-89070 Ulm
<http://www.gardena.de>