

350 Art. 2555  
350 Duo Art. 2558

**D Gebrauchsanweisung**  
Turbotrimmer

---

**GB Operating Instructions**  
Turbotrimmer

---

**F Mode d'emploi**  
Turbofil

---

**NL Gebruiksaanwijzing**  
Turbotrimmer

---

**S Bruksanvisning**  
Turbotrimmer

---

**I Istruzioni per l'uso**  
Turbotrimmer

---

**E Manual de instrucciones**  
Turbotrimmer

---

**P Instruções de utilização**  
Aparador de relva Turbo

---

**TR Kullanma Talimatı**  
Turbo Çim Kesme Aleti

---

**FIN Käyttöohje**  
Turbotrimmeri

---

**GR Οδηγίες χρήσεως**  
Κουρευτικό πετονιάς

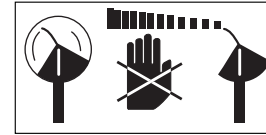
---

**DK Brugsanvisning**  
Turbotrimmer

Beachten Sie die Sicherheits-  
hinweise auf dem Gerät:  
Please adhere to the following  
safety instructions:  
Veuillez observer les instructions  
de sécurité figurant sur l'appareil:  
Houdt u zich aan de veiligheids-  
voorschriften op het apparaat:  
Följ bruksanvisningen noga:  
Attenzione ai simboli di sicurezza  
sull'attrezzo:  
Observen las indicaciones de  
seguridad en el aparato:  
Por favor siga atentamente as in-  
struções de segurança fornecidas  
no aparelho:  
Lütfen güvencik talimatlarını  
uyunuz:  
Noudata seuraavia turvallisuu-  
s-ohjeita:  
Παρακαλούμε ακολουθείτε πάντα  
τις παρακάτω οδηγίες προστασίας  
και ασφάλειας:  
lagttag sikkerhedshenvisningerne  
på apparatet:



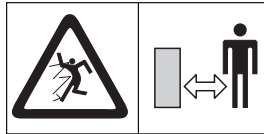
Vor Regen und Nässe schützen!  
Do not use in rain or wet con-  
ditions!  
Protégez l'appareil de la pluie  
et de l'humidité!  
Niet aan vocht blootstellen!  
Använd inte maskinen i regn  
eller fuktig miljö!  
Proteggere da pioggia ed umidità!  
¡Proteja el aparato de la lluvia y  
la humedad!  
Proteja o aparelho da chuva e da  
humidade!  
Aleti yagmurda ve islak havalarda  
kullanmayin!  
Älä käyttää sateella tai kosteissa  
olosuhteissa!  
Μην το χρησιμοποιείτε σε βροχή  
ή σε συνθήκες υγρασίας!  
Beskyt mod regn og fugtighed!



Werkzeug läuft nach!  
Tool goes behind!  
Attention ! Après avoir lâché  
l'interrupteur, le système de coupe  
continue de tourner quelques  
instants.  
Machine loopt na!  
Varning! Skärverktyget fortsätter  
att rotera ett tag efter motorn  
stängts av!  
Attenzione! Appena spento,  
l'attrezzo gira ancora alcuni istanti  
per inerzia.  
Atenção! Após desligar o inter-  
ruptor, o aparelho ainda continua  
em movimento durante alguns  
instantes.  
Alet kapatıldıktan sonra kesim  
işlemi bir süre devam eder.  
Varo pyörivää siimaa virran  
katkaisun jälkeen.  
Προσοχή το μοτέρ περιστρέφεται  
ακόμη.  
Værktøjet standser ikke straks!



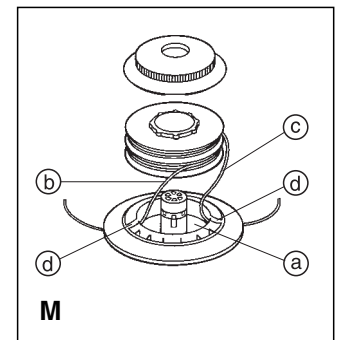
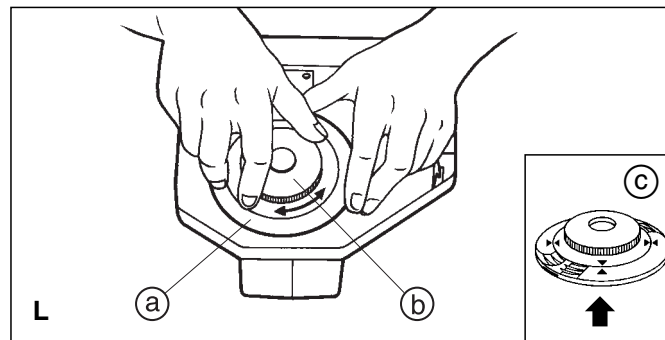
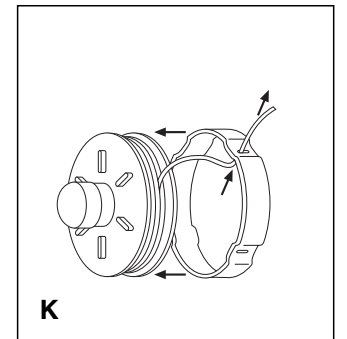
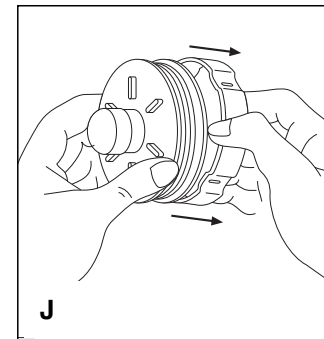
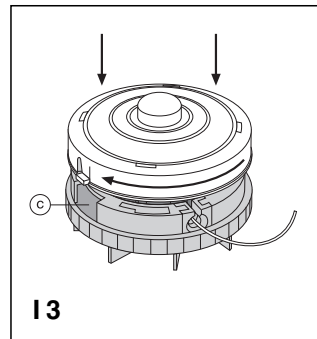
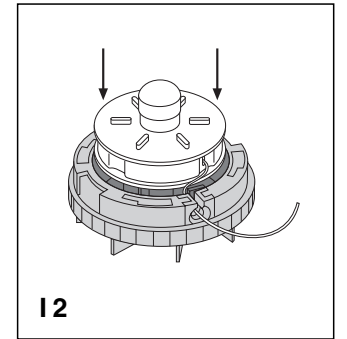
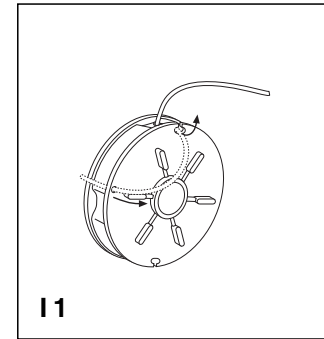
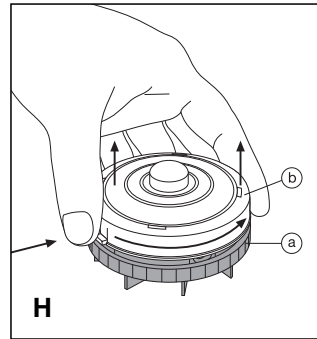
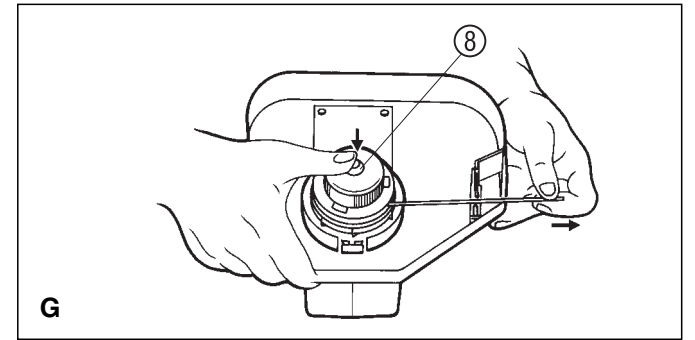
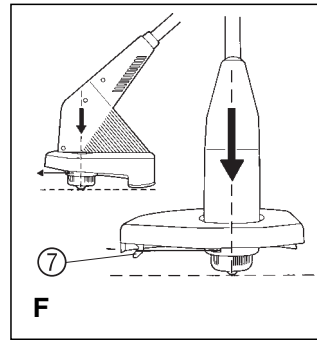
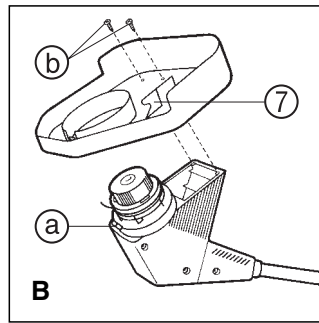
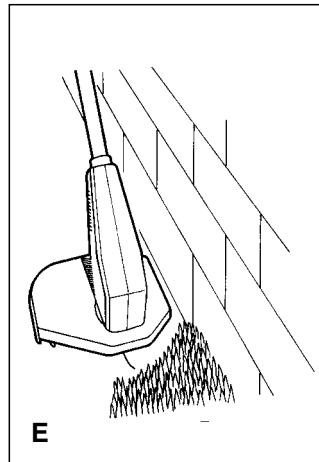
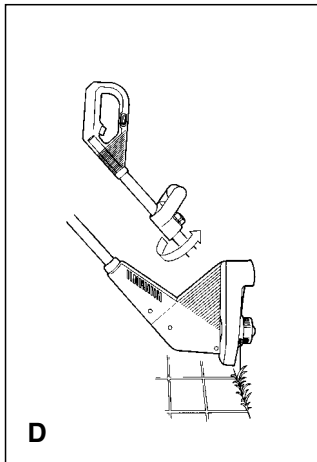
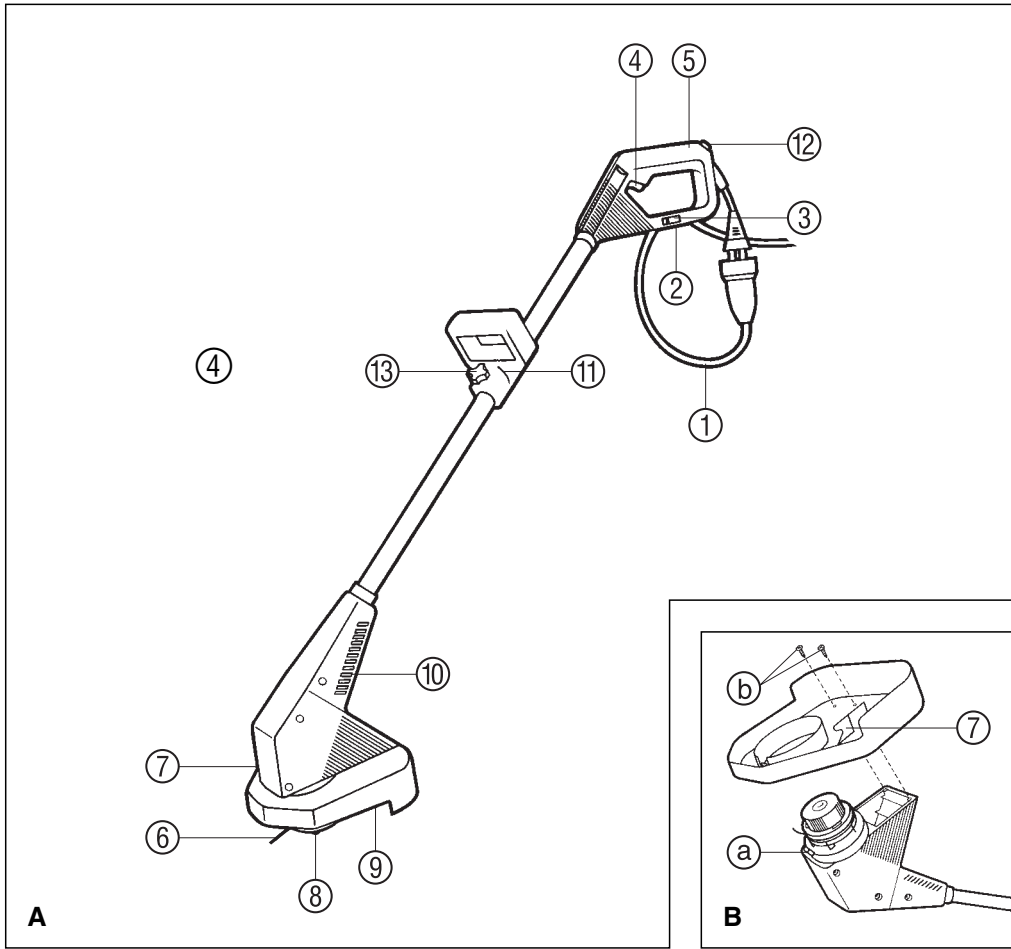
Warnung! Vor Inbetriebnahme  
Gebrauchsanweisung lesen!  
Warning! Read instruction  
handbook!  
Attention ! Merci de lire atten-  
tivement le mode d'emploi  
avant d'utiliser cet appareil !  
Let op! Voor ingebruikname  
de gebruiksaanwijzing lezen!  
OBS! Läs igenom bruksanvis-  
ningen noga före användning!  
Attenzione! Prima di mettere  
in funzione l'attrezzo leggere  
le istruzioni per l'uso!  
¡Atención! Antes de la puesta  
en marcha, lea el manual de  
instrucciones.  
Atenção! Leia o Manual de  
instruções antes do uso!  
Dikkat! Çalıştırmadan önce  
kullanma talimatını okuyunuz!  
Varoitus! Ennen käyttöönotta-  
a, lue käyttöohjeet!  
Προσοχή! Διαβάστε τις  
οδηγίες χειρισμού πριν το  
χρησιμοποιήσετε!  
Advarsel! Før igangsætning  
skal brugsanvisningen læses!



Dritte aus dem Gefahrenbereich  
fernhalten!  
Keep bystanders away!  
Maintenez tout tiers hors de la  
zone de travail !  
Houdt omstanders uit de buurt!  
Tillse att inga obehöriga vistas  
i området!  
Tenere lontano i terzi dalla zona  
di lavoro!  
¡Mantener alejados a terceros  
del área de trabajo!  
Mantenha terceiros fora da área  
de perigo!  
İşi olmayanların çalışma alanının  
dışında tutun!  
Pidä ulkopuoliset vaara-alueen  
ulkoruolella!  
Κρατήστε τρίτα άτομα μακριά  
από το χώρο εργασίας, υπάρχει  
κίνδυνος!  
Andre personer må ikke komme  
ind i fareområdet!



Augenschutz tragen!  
Wear eye protection!  
Portez des lunettes de protection !  
Draag oogbescherming!  
Använd skyddsglasögon!  
Indossare occhiali di protezione!  
¡Use gafas de protección!  
Use protecção nos seus olhos!  
Koruyucu gözlük takınız!  
Käytä suojalaseja!  
Φοράτε προστατευτικά γυαλιά!  
Anvend øjenværn!



# GARDENA Turbotrimmer 350 / 350 Duo


## 1. Technical data

	TT 350	TT 350 Duo
Power consumption	350 W	350 W
Mains voltage	230 V	230 V
Frequency	50/60 Hz	50/60 Hz
Fadenstärke	1.6 mm	1.6 mm
Cord strength	230 mm	250 mm
Cutting width	6 m	2 × 5 m
Weight	1.6 kg	2.0 kg
Rpm of cord cartridge	12,000 rpm	12,000 rpm
Working area related emission characteristic value $L_{pA}^{1)}$	84 dB (A)	88 dB (A)
Noise level $L_{WA}^{2)}$	90 dB (A)	94 dB (A)
Vibrations $a_{vhw}^{1)}$	< 2.5 ms <sup>-2</sup>	4.7 ms <sup>-2</sup>

Measuring method <sup>1)</sup> according to EN 786 <sup>2)</sup> according to 84/538/EC

## 2. Information regarding the operating instructions

Please read and follow these operating instructions carefully. Familiarise yourself with the unit's features, the controls, its proper use and the safety instructions included.

 **For safety reasons children under the age of 16 or people who are not familiar with these operating instructions should not use this turbo-trimmer.**

**Please keep these operating instructions in a safe place.**

## 3. Product use


The GARDENA Turbotrimmers 350 / 350 Duo are designed for trimming/cutting lawn areas in private house and hobby gardens.

These trimmers are for private use only and are not designed

for use in public facilities, parks, sporting grounds, on roads, in agriculture or forestry.

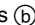
It is essential to observe the manufacturer's operating instructions to ensure the unit's proper functioning. These instructions

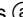
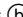
also contain advice for service, maintenance and repair.

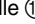

 **Attention! For safety reasons the unit must not be used for hedge trimming or for chopping up for composting.**



## 4. Assembly (ill. A/B)

### Turbotrimmer 350 only

**Before beginning work**, fasten the enclosed safety cover by means of the screws  attached to the casing:

1. Press the cover onto the casing.
2. Ensure that the snap hooks  snap properly!
3. Tighten screws .

Before you start working, adjust the additional handle  to the most appropriate working position and tighten it with the tightening screw .

 **Be careful with the cutting blade/cord limiter , whilst assembling the safety cover. Risk of injury!**

## 5. Using the product (ill. A/C-F)

### 5.1 How to connect the Turbotrimmer to the mains (ill. A)

Insert the extension cable ① into the holding device ② and secure in the holder ③ by turning. To switch on, depress pressure switch ④ on handle ⑤. The turbotrimmer will switch off as soon as the pressure switch ④ is released.

**⚠ The safety devices installed by the manufacturer must not be removed or by-passed, e.g. by binding the on/off switch to the handle. This will prevent the trimmer switching off automatically, and may cause serious injury.**

**Attention! The trimming cord will take a while to stop running after the unit is switched off.**

### 5.2 Working position (ill. A/C)

Simply lift the Turbotrimmer by its handle ⑤ or additional handle ⑩, with the cutting head slightly tilted forwards.

### 5.3 Trimming along lawn edges and in awkward places (ill. A/D)

For vertical cutting, turn the additional handle ⑪. Then hold the Turbotrimmer with both hands (on the handle ⑤ and the additional handle ⑩) and turn the unit to the cutting position.

### 5.4 Trimming along the base of walls, trees and fences (ill. E)

Guide the Turbotrimmer with the left side of the cover at a short distance along hard objects and surfaces.

### 5.5 Removing dirt from joints between pavers

Hold the unit in such way that the cutting cord runs slightly above the paved ground.

### 5.6 Automatic cord lengthening with the motor running (ill. F)

The cord's wear depends on the individual job; if it is too short, lengthen it.

A clean cut will only be achieved with the maximum cord length.

Tap your Turbotrimmer **sharply** on the ground. **Avoid sustained depression.** Ensure that the

cutting head is parallel to the ground. The cord will automatically lengthen. Listen for an audible switching action. If the cord is too long, it will be automatically adjusted to the correct length by the cord limiter ⑦.

### 5.7 Manual cord lengthening (ill. A/G)

The cord's wear depends on the individual job; if it is too short, lengthen it.

1. **Disconnect the mains plug!**
2. Depress the release ⑧. At the same time manually pull out the cutting cord(s) until it stops. If necessary, repeat this procedure until the cord ⑥ just projects over the edge of the safety cover.

While the Turbotrimmer is being operated, the cord length is adjusted automatically as described under "Automatic cord lengthening".

**⚠ Be careful with the cutting blade/cord limiter ⑦ whilst lengthening the cord by hand. Risk of injury!**

## 6. Maintenance, service, storage (ill. A/H-M)

The GARDENA Turbotrimmers require minimal maintenance.

**Make sure that the cooling air inlets ⑩ never become obstructed by dirt.**

Remove grass clippings and dirt with a dry cloth or brush. Remove grass clippings and dirt from the safety cover ⑨ after every use.

**Repairs may only be carried out by GARDENA Service Centres or dealers authorised by GARDENA.**

**⚠ Attention! Always disconnect the mains plug before working on the Turbo-**

**trimmer (checking, cleaning, maintenance). Risk of injury!**

**To avoid injury to persons and product damage: Never clean the Turbotrimmer with running water or with a water jet, in particular a high pressure water jet.**

**Store the Turbotrimmer in a dry place where it is protected from frost.**

**We recommend hanging storage to avoid unnecessary stress on the cutting head. The Turbotrimmer should be stored out of the reach of children.**

**Follow the manufacturer's instructions when replacing the cord cartridge.**

### 6.1 How to replace the cord cartridge (ill. H-M)

Please use only original GARDENA cord cartridges:

Art.no. 5369  
for Turbotrimmer 350

Art.no. 5372  
for Turbotrimmer 350 Duo

You can order these cord cartridges from your GARDENA dealer or directly from the GARDENA Customer Service.

**Never use metallic cutting cartridges or spare parts and accessories which have not been defined by the manufacturer!**

### Turbotrimmer 350 (ill. A/H-K)

#### Disassembly (ill. H)

1. **Disconnect the mains plug!**
2. Put the trimmer on rubber buffers ⑫.
3. Hold the spool holder ①.
4. Release the cover ② by turning to the left and pressing the locking clip (ill. H). Remove the spool.

#### Assembly (ill. I1-I3)

5. Remove any dirt.
6. Pull the filament of the replacement spool out of the transport holder (hole and notch) (ill. I1).

**⚠ Do not remove the filament brake! Then fit the spool in the spool holder and the filament in the metal case (ill. I2).**

7. Hold the spool holder ①.
8. Replace the cover. Ensure that the clip is in the recess ③. Press down the cover and turn it to the right until **you hear it click into place** (ill. I3).

### Turbotrimmer 350 Duo (ill. A/L/M)

#### Disassembly

1. **Disconnect the mains plug!**
2. Put the trimmer on rubber buffers ⑫.

## 7. Advice for proper use / Safety instructions

**⚠ Inspect the unit before each use**

**Make a visual check of the Turbotrimmer before each use.**

**Do not use the Turbotrimmer, if safety devices (push button, safety cover) and/or the cord cartridge are damaged or worn. Never bypass safety devices.**

3. Keep the reel holder ① in a fixed position (ill. L).
4. Unlock the cover ② by turning it to the left, remove the filament cassette (ill. M).

#### Assembly

5. ill. M: Insert the lower filament first ③, then the upper filament ④ in the filament guides ⑤ of the reel holder ①, then insert the reel completely in the reel holder ①.
6. ill. L: Keep the reel holder ① in a fixed position, insert the cover ②, press down – onto reel holder ① – and secure by turning to the right **until it stops**. Ensure that the marks ③ on the filament holder ① and on the filament holder cover ② match perfectly.

**Ensure correct working position before switching on the unit.**

### 6.2 Recessed string (ill. J/K)

If the string is drawn in the filament cassette, proceed as follows:

1. **Disconnect the mains plug!**
2. To remove the filament cassette read chapter 6.1.
3. Take hold of the plastic ring on filament cassette between your thumb and forefinger and press it together. Remove the plastic ring to release the string (ill. J).

**⚠ Inspect the area to be cut before and during work. Remove any foreign objects such as stones.**

**If, in spite of care, you come into contact with an obstruction whilst cutting, turn off the trimmer and remove it.**

**Check the unit for possible damage and have it repaired, if necessary.**

4. Unwind about 10 cm of the string and fix it in the notch of the reel.
5. Guide the string end through the lug of the plastic ring and back again onto the reel (ill. K).
6. To re-insert the filament cassette read chapter 6.1.

**Ensure correct working position before switching on the unit.**

If you have any problem with your Turbotrimmer, please contact our Customer Service or return the defective unit together with a short description of the problem and, if covered under guarantee, with a copy of the receipt, directly to one of the GARDENA Service Centres listed on the back of this leaflet.

**We expressly point out that, in accordance with the product liability law, we are not liable for any damage caused by our units if it is due to improper repair or if parts exchanged are not original GARDENA parts or parts approved by us, and, if the repairs were not carried out by a GARDENA Service Centre or an authorised specialist. The same applies to spare parts and accessories.**

**⚠ Use/Responsibility**

**This Turbotrimmer can cause serious injuries!**

**Use the unit only for purposes specified in these operating instructions.**

**You are responsible for the safety in the working area.**

Make sure that there are no other people (especially children) or animals within or near the working area.

Never use the Turbotrimmer if safety devices are damaged or defective!

Disconnect the mains plug after use. Check the Turbo-trimmer, especially the cord cartridge regularly and replace it, if necessary.

Wear an eye shield or goggles!

Wear sturdy shoes and long trousers to protect your legs. Keep fingers and feet away from the cutting cord – above all when starting work.

Ensure that you have secure foothold whilst working. The electrical cable should always be kept away from the cutting area.

Attention! Take extra care when walking backwards. You may stumble.

Only work when visibility is good.



Interrupting work

Never leave the Turbotrimmer unattended in the working place. If you stop work, store the trimmer in a safe place. Disconnect the mains plug!

Should you stop work in order to get to another working place, always switch off the Trimmer, wait until the tool stops and disconnect the mains plug!



Work place safety

Make yourself familiar with the surroundings and look out for dangers which you may not detect due to machinery noise.

Never use the unit when it rains or in damp/wet areas.

Do not operate the Turbo-trimmer in or near swimming pools and garden ponds.



Electrical safety

Check the power cable regularly for damage and signs of wear and tear.

The Turbotrimmer must only be operated with an undamaged electrical cable. If the mains- or extension cable is damaged, disconnect the mains plug immediately.

The socket of an extension cable should be waterproof.

Only use permitted extension cables. Ask your electrician.

For portable units which are used outdoors, we recommend to use a fault circuit breaker.

In Switzerland use of a fault circuit breaker is obligatory.

## EU Certificate of Conformity

The undersigned

GARDENA Kress + Kastner GmbH · Hans-Lorensen-Str. 40 · D-89079 Ulm

hereby certifies that, when leaving our factory, the units indicated below are in accordance with the harmonised EU guidelines, EU standards of safety and product specific standards.

This certificate becomes void if the units are modified without our approval.

### Description of the unit:

Turbotrimmer

### Types:

TT 350 / TT 350 Duo

### Art. No.:

2555 / 2558

### EU directives:

Machinery Directive 98/37/EC  
Electromagnetic Compatibility  
89/336/EC  
Low Voltage Directive 73/23/EC  
Directive 93/68/EC  
Directive 2000/14/EC

### Harmonised

#### European standard:

EN 292-1  
EN 292-2  
EN 786  
EN 60335-1

#### Noise level:

measured/guaranteed  
TT 350 90/91 dB (A)  
TT 350 Duo 94/95 dB (A)

#### Year of CE marking:

1995

Ulm, 06.11.2001

Thomas Heint  
Technical Dept. Manager

## D

### Garantie

GARDENA gewährt für dieses Produkt die gesetzliche Garantie (ab Kaufdatum). Diese Garantieleistung bezieht sich auf alle wesentlichen Mängel des Gerätes, die nachweislich auf Material- oder Fabrikationsfehler zurückzuführen sind. Sie erfolgt durch die Ersatzlieferung eines einwandfreien Gerätes oder durch die kostenlose Reparatur des eingesandten Gerätes nach unserer Wahl, wenn folgende Voraussetzungen gewährleistet sind:

- Das Gerät wurde sachgemäß und laut den Empfehlungen in der Gebrauchsanweisung behandelt.
- Es wurde weder vom Käufer noch von einem Dritten versucht, das Gerät zu reparieren.
- Die Verschleißteile Faden und Schneidkopf-Deckel sind von der Garantie ausgeschlossen.

Diese Hersteller-Garantie berührt die gegenüber dem Händler/Verkäufer bestehenden Gewährleistungsansprüche nicht.

## GB

### Guarantee

GARDENA honours the guarantee legally required for this product (starting from the date of purchase). This guarantee covers all serious defects of the unit that can be proved to be material or manufacturing faults. Under guarantee we will either replace the unit or repair it free of charge if following conditions apply:

- The unit must have been handled properly and in keeping with the requirements of the operating instructions.
- Neither the purchaser or a non-authorised third party have attempted to repair the unit.

- The string and the cutting head cover are wearing parts and are not covered by the guarantee.

This manufacturer's guarantee does not affect the user's existing warranty claims against the dealer/seller.

## F

### Garantie

GARDENA accorde pour cet appareil la garantie légale à compter du jour de l'achat. Elle comprend le remplacement gratuit des pièces défectueuses ou de l'appareil, le choix en étant laissé à la libre initiative de GARDENA. En tout état de cause s'applique la garantie légale couvrant toutes les conséquences des défauts ou vices cachés (article 1641 et suivants du Code Civil).

Pour que ces garanties soient valables, les conditions suivantes doivent être remplies :

- L'appareil a été manipulé de manière adéquate, suivant les instructions du mode d'emploi.
- Il n'y a eu aucun essai de réparation, ni par le client, ni par un tiers.
- Le fil de coupe et le couvercle de la tête de coupe sont des pièces d'usure et sont par conséquent exclus de la garantie.

Une intervention sous garantie ne prolonge pas la durée initiale de la garantie contractuelle.

**Toutes les revendications dépassant le contenu de ce texte ne sont pas couvertes par la garantie, quel que soit le motif de droit.**

**Pendant la période de garantie, le Service Après-Vente effectuera, à titre payant, les réparations nécessaires par suite de manipulations erronées.**

## NL

### Garantie

GARDENA geeft op dit product de wettelijke garantie (vanaf de aankoopdatum). Deze garantie heeft betrekking op alle wezenlijke defecten aan het toestel, die aanwijsbaar op materiaal- of fabricagefouten berusten.

Garantie vindt plaats door de levering van een vervangend apparaat of door de gratis reparatie van het ingestuurde apparaat, naar onze keuze, indien aan de volgende voorwaarden is voldaan:

- Het apparaat werd vakkundig en volgens de adviezen in de gebruiksaanwijzing behandeld.
- Noch de koper, noch een derde persoon heeft getracht het apparaat te repareren.
- De aan slijtage onderhevige draad en de snijkopdeksel vallen niet onder de garantie.

Deze garantie van de producent heeft geen betrekking op de ten aanzien van de handelaar/verkoper bestaande aansprakelijkheid.

## S

### Garanti

GARDENA lämnar den enligt Europeisk lag gällande garantin för denna produkt. Garantin gäller från inköpsdatum. Denna garanti täcker alla allvarliga defekter på maskinen som kan bevisas vara materiella fel eller tillverkningsfel. Under garantitiden repareras eller utbytes enheten utan kostnad under följande förutsättningar:

- Enheten måste ha skötts och använts i enlighet med bruksanvisningen.
- Varken köparen eller en icke auktoriserad tredje part får ha försökt reparera enheten.
- Tråd och kåpa (slitagedelar) undantages från denna garanti.

**Deutschland**

GARDENA Kress + Kastner GmbH  
GARDENA Service  
Hans-Lorensen-Straße 40  
D-89079 Ulm  
Produktfragen: (07 31) 490-123  
Reparaturen: (07 31) 490-290

**Argentina**

Argensem S.A.  
Venezuela 1075  
(1618) El Talar - Buenos Aires

**Australia**

NYLEX Corporation Ltd.  
25-29 Nepean Highway  
P.O. Box 68  
Mentone, Victoria 3194

**Austria**

GARDENA Österreich Ges. m.b.H.  
Stettnerweg 11-15  
2100 Korneuburg

**Belgium**

MARKT (Belgium) NV/SA  
Sterrebeekstraat 163  
1930 Zaventem

**Brazil**

M. Cassab  
Av. das Nações Unidas, 20.882  
Santo Amaro, CEP 04795-000  
São Paulo - S.P.

**Bulgaria / България**

ДЕНЕКС ООД  
бул. „Черни връх“ 43  
София 1407

**Canada**

GARDENA Canada Ltd.  
100, Summerlea Road  
Brampton, Ontario  
Canada L6T 4X3

**Chile**

Antonio Martinic Y CIA. LTDA.  
Gilberto Fuenzalida 185 Loc.  
Las Condes - Santiago de Chile

**Costa Rica**

Compania Exim  
Euroiberoamericana S.A.  
350 Sur del Automercado  
Los Yoses  
San Pedro

**Cyprus**

FARMOKIPIKI LTD  
P.O. Box 7098  
74, Digeni Akrita Ave.  
1641 Nicosia

**Czech Republic**

GARDENA spol. s.r.o.  
Řipská 20  
62700 Brno

**Denmark**

GARDENA Danmark A/S  
Naverland 8  
2600 Glostrup

**Finland**

Habitec Oy  
Martinkyläntie 52  
01720 Vantaa

**France**

GARDENA France  
Service Après-Vente  
BP 50080  
95948 ROISSY CDG Cedex

**Great Britain**

GARDENA UK Ltd.  
27-28 Brenkley Way  
Blezard Business Park  
Seaton Burn  
Newcastle upon Tyne  
NE13 6DS

**Greece**

Agrokip G. Psomadopoulos & Co.  
20, Lykourgou str.  
Kallithea - Athens

**Hungary**

GARDENA Magyarország Kft.  
Késmárk utca 22  
1158 Budapest

**Iceland**

Heimilistaeki hf  
Saetun 8  
P.O. Box 5340  
125 Reykjavik

**Republic of Ireland**

Michael McLoughlin & Sons  
Hardware Limited  
Long Mile Road  
Dublin 12

**Italy**

GARDENA Italia S.r.l.  
Via Donizetti 22  
20020 Lainate (Mi)

**Japan**

KAKUDAI Mfg. Co. Ltd.  
1-4-4, Itachibori Nishi-ku  
Osaka 550

**Luxembourg**

Magasins Jules Neuberg  
Grand Rue 30  
Case Postale No. 12  
Luxembourg 2010

**Netherlands**

MARKT (Holland) BV  
Postbus 219  
1380 AE Weesp

**Neth. Antilles**

Jonka Enterprises N.V.  
Sta. Rosa Weg 196  
P.O. Box 8200  
Curaçao

**New Zealand**

NYLEX New Zealand Limited  
Private Bag 94001  
South Auckland Mail Centre  
10 Offenhauser Drive  
East Tamaki, Manukau

**Norway**

GARDENA Norge A/S  
Postboks 214  
2013 Skjetten

**Poland**

GARDENA Polska Sp. z o.o.  
Szymanów 9 d  
05-532 Baniocza

**Portugal**

MARKT (Portugal), Lda.  
Recta da Granja do Marquês  
Edif. GARDENA  
Algueirão  
2725-596 Mem Martins

**Russia / Россия**

АО АМИДА ТТЦ  
ул. Мосфильмовская 66  
117330 Москва

**Singapore**

Variware  
Holland Road Shopping Centre  
227-A 1st Fl., Unit 29  
Holland Avenue  
Singapore 1027

**Slovenia / Croatia**

Silk d.o.o. Trgovina  
Brodišče 15  
1236 Trzin

**South Africa**

GARDENA South Africa (Pty.) Ltd.  
P.O. Box 11534  
Vorna Valley 1686

**Spain**

ANMI Andreu y Miriam S.A.  
Calle Pere IV, 111  
08018 Barcelona

**Sweden**

GARDENA Svenska AB  
Box 9003  
20039 Malmö

**Switzerland**

GARDENA Kress + Kastner AG  
Bitziberg 1  
8184 Bachenbülach

**Ukraine / Украина**

АОЗТ АЛЪЦЕСТ  
ул. Гайдара 50  
г. Киев 01033

**Turkey**

Dost Diş Ticaret Mümessilik A.Ş.  
Yeşilbağlar Mah. Başkent  
Cad. No. 26  
Pendik - İstanbul

**USA**

GARDENA  
3085 Shawnee Drive  
Winchester, VA 22604

2555-20.960.05/0011  
GARDENA Kress + Kastner GmbH  
Postfach 27 47, D-89070 Ulm  
<http://www.gardena.com>