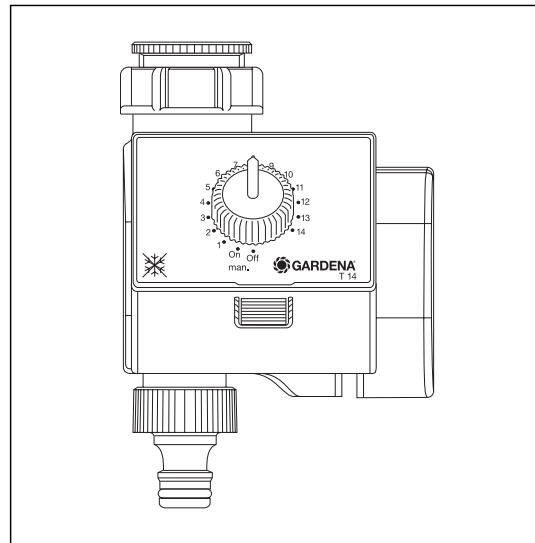
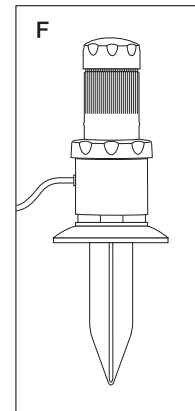
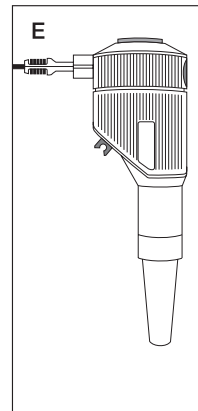
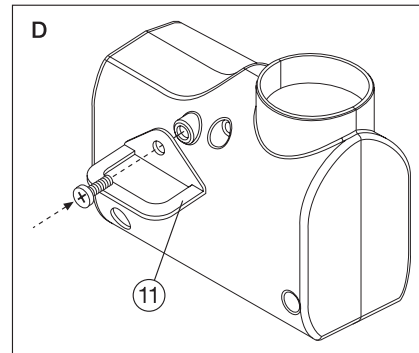
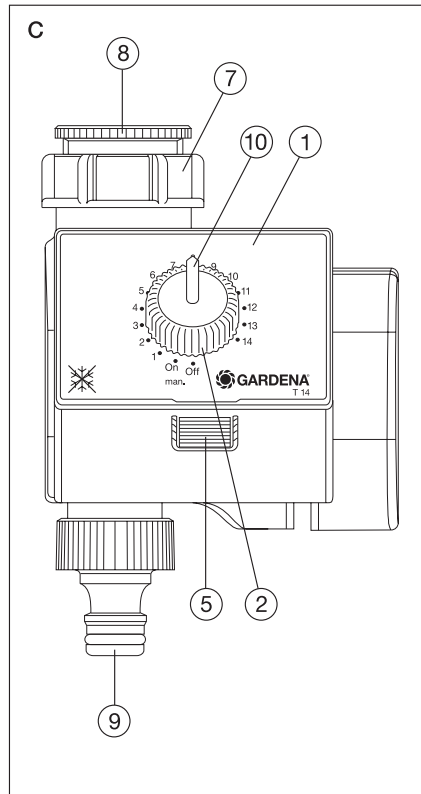
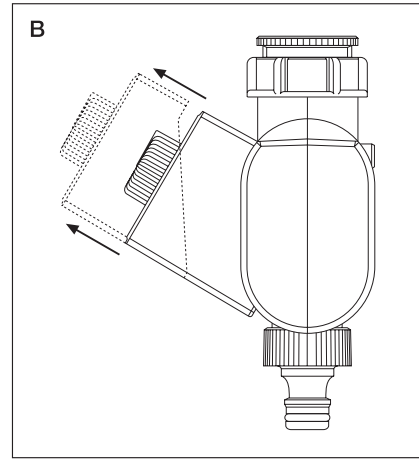
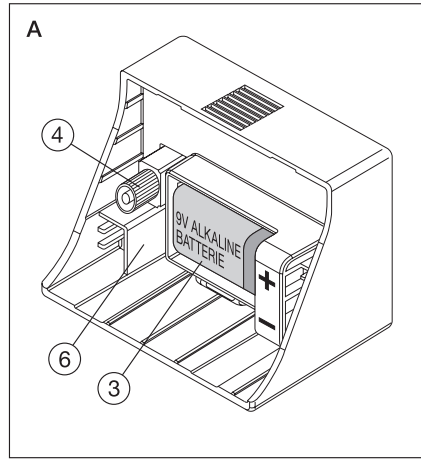




Water Timer Electronic T 14  
Bevatningstimer electronic T 14  
Elektronische watertimer T 14  
Bewässerungsuhr electronic T 14  
Kasteluajastin electronic T 14



**Operating Instructions**  
**Bruksanvisning**  
**Gebruiksaanwijzing**  
**Gebrauchsanweisung**  
**Käyttöohje**



# GARDENA



## Water Timer Electronic T 14

### 1. Notes on these Operating Instructions


Please read these operating instructions carefully and observe the notes given. Use these operating instructions to familiarise yourself with the Water Timer, the unit's features and proper use as well as with the notes on safety.

 **For safety reasons, children and young people under 16 as well as anyone who is not familiar with these operating instructions may not use the Water Timer.**

**Keep these operating instructions in a safe place.**

### 2. Proper Use

The GARDENA Water Timer Electronic T 14 is suitable and determined for private use in domestic and hobby gardens, exclusively for outdoor use, to control sprinklers and watering systems.

 **The Water Timer must not be used for industrial purposes or in conjunction with chemicals, foodstuffs, easily flammable and explosive materials.**

Compliance with the operating instructions provided by the manufacturer is a prerequisite to ensure proper use of the GARDENA Water Timer Electronic.

The operating instructions also contain operating, servicing and maintenance conditions.

### 3. Technical Data

Operating pressure:	1 - 12 bar
Flow medium:	clean fresh water
Max. water temperature:	40 °C
Watering cycles:	14
Battery:	1 × 9 V alkali-manganese (alkaline) type IEC 6LR61
Running time:	approx. 1 year

### 4. How the Water Timer Electronic Works

This GARDENA Water Timer Electronic T 14 allows you to set different watering cycles for different watering times independent of whether you are using a sprinkler, a sprinkler system installation or a drip-head watering system to water your garden.

Your Water Timer Electronic will water your garden completely automatically according to the program you choose. You can set the timer to water your garden early in the morning or late at night when water evaporates the least, or while you are on holiday.

**Watering time and watering cycle** are easy to program.

### 5. Summary of Operating Instructions

**1. Insert the battery.** Only use a 9 V alkali-manganese (alkaline) battery type IEC 6LR61. Check the polarity (+/- markings).

**2. Set watering program.**

Program	Cycle	Duration (min.)
man Off	no watering – unit is switched off	
man On	once	30
1	four times a day	3
2	twice a day	3
3		15
4	once a day	3
5		5
6		30
7		60
8	every 2 days	5
9		30
10		60
11	every 3 days	30
12		60
13	every 7 days	60
14		120

## 6. Operating Parts

- ① Control unit
- ② Control knob to set program
- ③ Battery compartment
- ④ Connection plug for control unit
- ⑤ Release button for control unit
- ⑥ Connection for Soil Moisture Sensor / Rain Sensor
- ⑦ Sleeve nut

### Accompanying accessories

- ⑧ G ¾ adaptor for sleeve nut
- ⑨ GARDENA threaded tap connector
- ⑩ Current setting marking

### Option

- ⑪ Anti-theft protection

## 7. Preparation for Use

Before you use your Water Timer Electronic you must:

1. Insert the battery
2. Connect the Water Timer Electronic to the tap
3. Set the watering program

### 7.1 Inserting the Battery (Fig. A)

1. Remove the control unit ① from the housing of the Water Timer by pressing the release button ⑤ (see Fig. B/C).
2. Insert the battery (only use a 9 V alkaline battery) in the battery compartment (Fig. A).  
**Note:** When inserting the battery pay attention to the **+/- markings**.
3. Reattach the control unit to the housing.

### 7.2 Connecting the Water Timer to the Tap (Fig. C)

The Water Timer is fitted with a sleeve nut for taps with a **33.3 mm (G1)** thread.

#### Adaptor for G ¾ thread (26.5 mm)

The adaptor supplied allows the Water Timer to be connected to taps with a G ¾ thread (26.5 mm). If you are using the adaptor, screw **the adaptor onto the tap** before screwing the Water Timer onto the adaptor.

**Warning! Attach and screw on manually. Do not use pliers!**

## 7.3 Setting the Watering Program

**Note:** The Water Timer control unit ① can be removed (Fig. B). This allows you to set the watering program somewhere other than where the Water Timer is to be used.

**The Water Timer opens as soon as you have selected the watering program.**

You can select the following watering programs with the red control knob ② :

Program	Cycle	Duration (min.)	Description
<b>man Off</b>	no watering – unit is switched off		
<b>man On</b>	once	30	Water once for 30 minutes.
<b>1</b>	4 times a day	3	Water 4 times a day for 3 min.
<b>2</b>	twice a day	3	Water twice a day for 3 min.
<b>3</b>		15	Water twice a day for 15 min.
<b>4</b>	once a day	3	Water every day for 3 min.
<b>5</b>		5	Water every day for 5 min.
<b>6</b>		30	Water every day for 30 min.
<b>7</b>		60	Water every day for 60 min.
<b>8</b>	every 2 days	5	Water every 2 days for 5 min.
<b>9</b>		30	Water every 2 days for 30 min.
<b>10</b>		60	Water every 2 days for 60 min.
<b>11</b>	every 3 days	30	Water every 3 days for 30 min.
<b>12</b>		60	Water every 3 days for 60 min.
<b>13</b>	every 7 days	60	Water every 7 days for 60 min.
<b>14</b>		120	Water every 7 days for 120 min.

**Note:** The watering program can be changed at any time by turning the red control knob ② in either direction.

## 8. Changing the Battery



To ensure the Water Timer runs safely, only a 9 V alkali-manganese battery (alkaline) type IEC 6LR61 must be used.

- **Make sure you exchange the battery at the right time to prevent the Water Timer failing due to a low battery when you are away for longer periods of time.** Make sure that the time the battery has been in operation and the time you are planning to be away does not add up to more than a year.
- The functional safety of the Water Timer depends on the capability of the battery. The Water Timer Electronic does not have a battery status display (acoustic or visual). **The Water Timer Electronic will only run for approx. a year if the alkali-manganese battery has a nominal voltage of at least 9 V.** Check the battery before you buy it.

Programs do not run while the battery is being changed.

For notes on changing the battery see “Inserting the Battery”.

## 9. Notes on Safety and Operation

- **To prevent water penetrating the battery compartment the Water Timer must only be mounted in a perpendicular position with the sleeve nut pointing upwards.**
- **The Water Timer opens as soon as you have selected the watering program. To avoid getting wet when operating the Water Timer the hose should be connected or the tap turned off before selecting the program. Alternatively, the control unit can be removed for operation.**
- **The Water Timer must only be used outdoors.**  
**Warning! The Water Timer must not be used indoors.**
- **The Water Timer must be stored in a dry place away from frost before the frosty season begins.**
- **The max. temperature for the water flow is 40 °C.**
- **The minimum operating pressure is 1 bar, the maximum operating pressure is 12 bar.**
- **Check the filter in the sleeve nut ⑦ regularly and clean if necessary.**
- **Avoid tensile strain. Do not pull the hose connected to the Water Timer Electronic.**
- **Only use clear fresh water.**

## 10. Anti-Theft Protection (Fig. D)

To protect your Water Timer against theft, the GARDENA anti-theft protection ⑩ (1815-00.791.00) is available at GARDENA Service. The bracket on the anti-theft protection is fitted onto the back of the unit. Note that the screw included cannot be loosened once it has been screwed in. The bracket can be used, for example, to attach a chain.

## 11. GARDENA Soil Moisture Sensor (Fig. E)

Together with the GARDENA Soil Moisture Sensor (Art. No. 1187) watering is controlled considering the soil moisture.

### Assembly

The Soil Moisture Sensor is connected to the connection socket ⑥ on the back of the control unit (Fig. A).

### How it works

If the connected Soil Moisture Sensor indicates there is sufficient moisture then the watering program is either interrupted or not initiated.

**Note:** Manual watering (function **man On/Off**) is still possible.

## 12. GARDENA Rain Sensor (Fig. F)

Together with the GARDENA Rain Sensor (Art. No. 1189) watering is controlled considering natural precipitation.

### Assembly

The Rain Sensor, as an alternative to the Soil Moisture Sensor, can be connected to the connection socket ⑥ on the back of the control unit (Fig. A).

### How it works

If the connected Rain Sensor indicates an appropriate amount of rain, the watering program is interrupted or not initiated.

**Note:** Manual watering (function **man On/Off**) is still possible.

### 13. Faults

Fault	Possible Cause	Remedy
<b>Not able to open the Water Timer using the “man On/Off” function.</b>	Battery power too low.	Insert a new <b>alkaline battery.</b>
	Tap turned off.	Turn on tap.
<b>Watering not initiated.</b>	Battery power too low.	Insert a new <b>alkaline battery.</b>
	Data input / changes made while the program was starting or immediately before.	Input data or make changes before or after the starting times you have chosen.
	Tap turned off.	Turn on tap.
	Soil Moisture Sensor or Rain Sensor indicate sufficient moisture.	If dry, check setting/ position of the Soil Moisture Sensor or Rain Sensor.
<b>Battery flat after working for a short time.</b>	<b>Not</b> an alkaline battery.	Use an <b>alkaline battery.</b>

If you have any problems with your Water Timer Electronic, please contact our Customer Service or return the defective unit together with a short description of the problem directly to one of the GARDENA Service Centres listed on the back of this leaflet.

**We expressly point out that, in accordance with the product liability law, we are not liable for any damage caused by our units if it is due to improper repair or if parts exchanged are not original GARDENA parts or parts approved by us, and, if the repairs were not carried out by a GARDENA Service Centre or an authorised specialist. The same applies to spare parts and accessories.**

### EU Certificate of Conformity

The undersigned

GARDENA Kress + Kastner GmbH · Hans-Lorensen-Str. 40 · D-89079 Ulm

hereby certifies that, when leaving our factory, the unit indicated below is in accordance with the harmonised EU guidelines, EU standards of safety and product specific standards.

This certificate becomes void if the unit is modified without our approval.

**Description of the unit:**

Water Timer Electronic

**Type:** T 14

**Art. No.:** 1800

**EU directives:**

Electromagnetic Compatibility

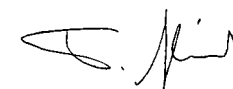
89/336/EC

Directive 93/68/EC

**Year of CE marking:**

1998

Ulm, 17.07.1998



Thomas Heint

Technical Dept. Manager

## GB

### Guarantee

GARDENA guarantees this product for 12 months (from date of purchase). This guarantee covers all serious defects of the unit that can be proved to be material or manufacturing faults. Under warranty we will either replace the unit or repair it free of charge if the following conditions apply:

- The unit must have been handled properly and in keeping with the requirements of the operating instructions. Neither the purchaser nor a non-authorized third party have attempted to repair the unit.
- The unit has been returned directly to a GARDENA Service Centre, postage paid, together with the proof of purchase.

This manufacturer's guarantee does not affect the user's existing warranty claims against the dealer/seller.

**Defects in the Water Timer attributable to batteries which have been incorrectly installed or are leaking are excluded from the warranty provisions.**

## S

### Garanti

GARDENA lämnar 1 års garanti för denna produkt. Garantin gäller från inköpsdatum. Garantin omfattar väsentliga fel på produkten som beror på fabrikations- eller materialfel och som påtalats oss före garantitidens utgång. Garantin innebär utbyte mot en produkt med perfekt funktion eller gratis reparation av den insända produkten om följande villkor är uppfyllda:

- Produkten har använts varsamt och enligt bruksanvisningen. Köparen eller någon annan får inte ha försökt reparera produkten.
- Produkten sänds fraktfritt och väl emballerad direkt till GARDENA Service tillsammans med inköpsbevis.

Tillverkarens garanti gäller ej särskilda överenskommelser mellan återförsäljare och köpare.

**Defekter på bevattningsstimern som uppstått genom fel insatta eller förbrukade batterier omfattas inte av garantin.**

**Deutschland**

GARDENA  
Kress + Kastner GmbH  
Abt. Kundendienst  
Hans-Lorenser-Straße 40  
D-89079 Ulm  
Produktfragen: (0731) 490-246  
Reparaturen: (0731) 490-290

**Argentina**

Unitán s.a.i.c.a.  
Paseo Colón 221 – P. 10°  
1399 Buenos Aires

**Australia**

NYLEX Corporation Ltd.  
25-29 Nepean Highway  
P.O. Box 68  
Mentone, Victoria 3194

**Austria**

GARDENA Österreich  
Gesellschaft m.b.H.  
Stettnerweg 11-15  
2100 Korneuburg

**Belgium**

MARKT (Belgium) NV/SA  
Sterrebeekstraat 163  
1930 Zaventem

**Canada**

Continental Industries  
100, Summerlea Road  
Brampton, Ontario  
Canada L6T 4X3

**Chile**

Comercial Maquinex  
Nueva Panamericana Sur,  
N° 1050  
San Bernardo  
Santiago de Chile

**Cyprus**

FARMOKIPIKI LTD  
P.O. Box 7098  
74, Digeni Akrita Ave.  
1641 Nicosia

**Czech Republic**

GARDENA spol. s.r.o.  
Brněnská 634  
66442 Brno-Modřice

**Denmark**

GARDENA Danmark A/S  
Bejlerholm 10  
Postbox 168  
9400 Nørresundby

**Finland**

Habitec Oy  
Martinkyläntie 52  
01720 Vantaa

**France**

GARDENA France  
Service Après-Vente  
BP 16  
95611 Cergy Pontoise Cedex

**Great Britain**

GARDENA UK Ltd.  
27-28 Blezard Business Park  
Brenkley Way  
Seaton Burn  
Newcastle upon Tyne  
NE13 6DS

**Greece**

Agrokip  
G. Psomadopoulos & Co.  
20, Lykourgou str.  
Kallithea  
Athens

**Hungary**

GARDENA Magyarország Kft.  
Késmárk utca 22  
1158 Budapest

**Iceland**

Heimilistaeki hf  
Saetun 8  
P.O. Box 5340  
125 Reykjavik

**Italy**

GARDENA Italia S.r.l.  
Via Donizetti 22  
20020 Lainate (Mi)

**Japan**

KAKUDAI Mfg. Co. Ltd.  
1-4-4, Itachibori Nishi-ku  
Osaka 550

**Luxembourg**

Magasins Jules Neuberg  
Grand Rue 30  
Case Postale No. 12  
Luxembourg 2010

**Netherlands**

MARKT (Holland) BV  
Postbus 219  
1380 AE Weesp

**New Zealand**

NYLEX New Zealand Limited  
Head Office  
22, Ormiston Road  
Private Bag  
South Auckland Mail Centre  
Auckland

**Norway**

GARDENA Norge A/S  
Postboks 214  
2013 Skjjetten

**Poland**

GARDENA Polska Sp. z o.o.  
Orzeszyn 35a k/Piaseczna  
05-532 Baniocha

**Portugal**

MARKT (Portugal), Lda.  
Recta da Granja  
do Marquês  
Algueirão  
2725 Mem Martins

**Russia / Россия**

АО АМИДА  
ул. Мосфильмовская 66  
117330 Москва

**Singapore**

Variware  
Holland Road  
Shopping Centre  
227-A 1st Fl., Unit 29  
Holland Avenue  
Singapore 1027

**Slovenia**

Silk d.o.o. Trgovina  
Brodlišče 15  
1236 Trzin

**South Africa**

GARDENA  
South Africa (Pty.) Ltd.  
P.O. Box 11534  
Vorna Valley 1686

**Spain**

ANMI  
Andreu y Miriam S.A.  
Calle Pere IV, 111  
08018 Barcelona

**Sweden**

GARDENA Svenska AB  
Box 9003  
20039 Malmö

**Switzerland**

GARDENA  
Kress + Kastner AG  
Bitziberg 1  
8184 Bachenbülach

**Turkey**

Bahçe Tarım ve Sulama  
Araçları Ticaret A.Ş.  
Soganlık Yolu Yalınız  
Selvi Sok. No. 21  
Kartal  
81440 İstanbul

**USA**

GARDENA  
3085 Shawnee Drive  
Winchester VA 22604

1800-28.960.02/0001  
GARDENA Kress + Kastner GmbH  
Postfach 27 47 · D-89070 Ulm · <http://www.gardena.de>