

DIXON[®] ZTR[®]

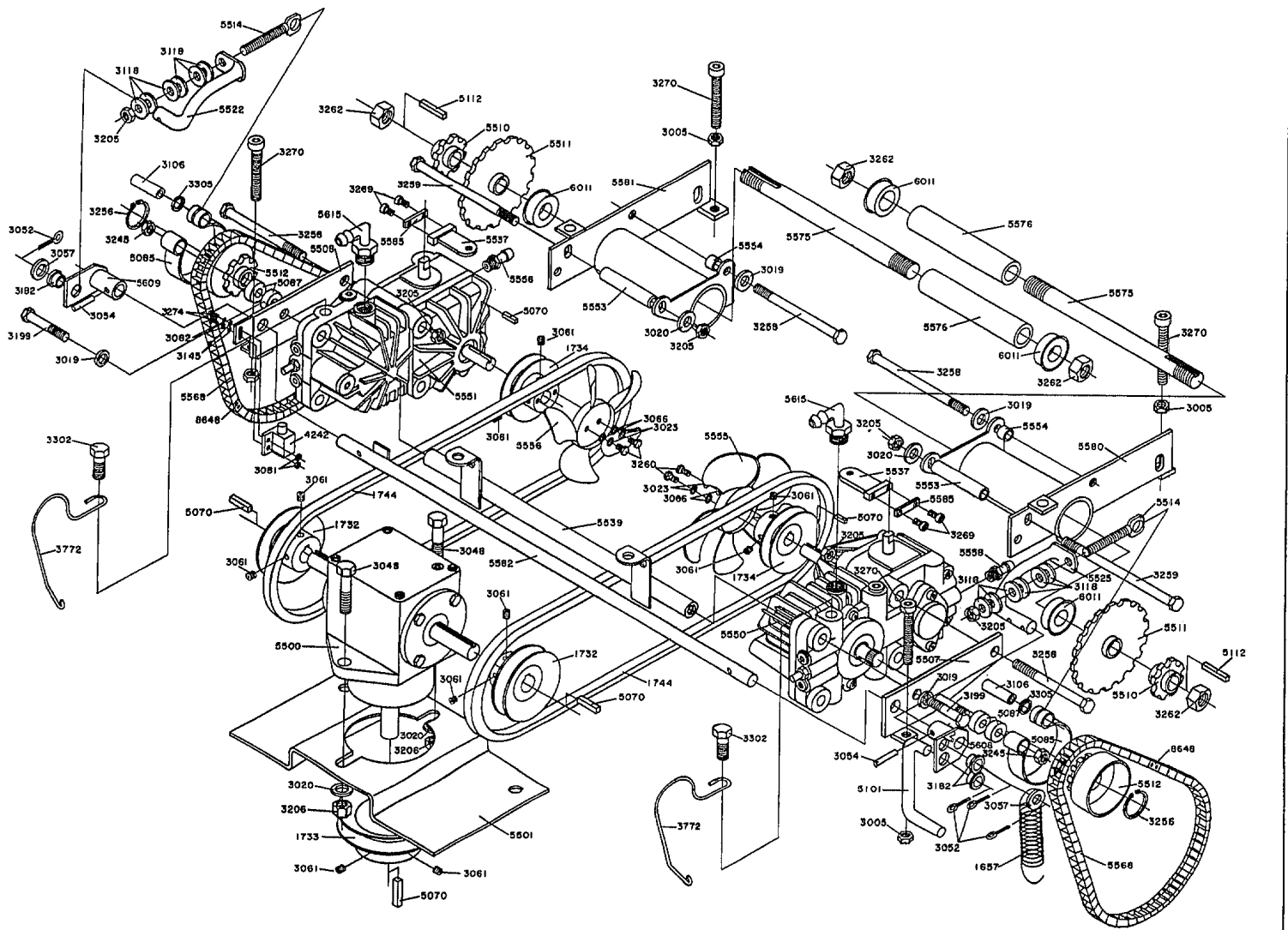
503 S/N 2365-3100

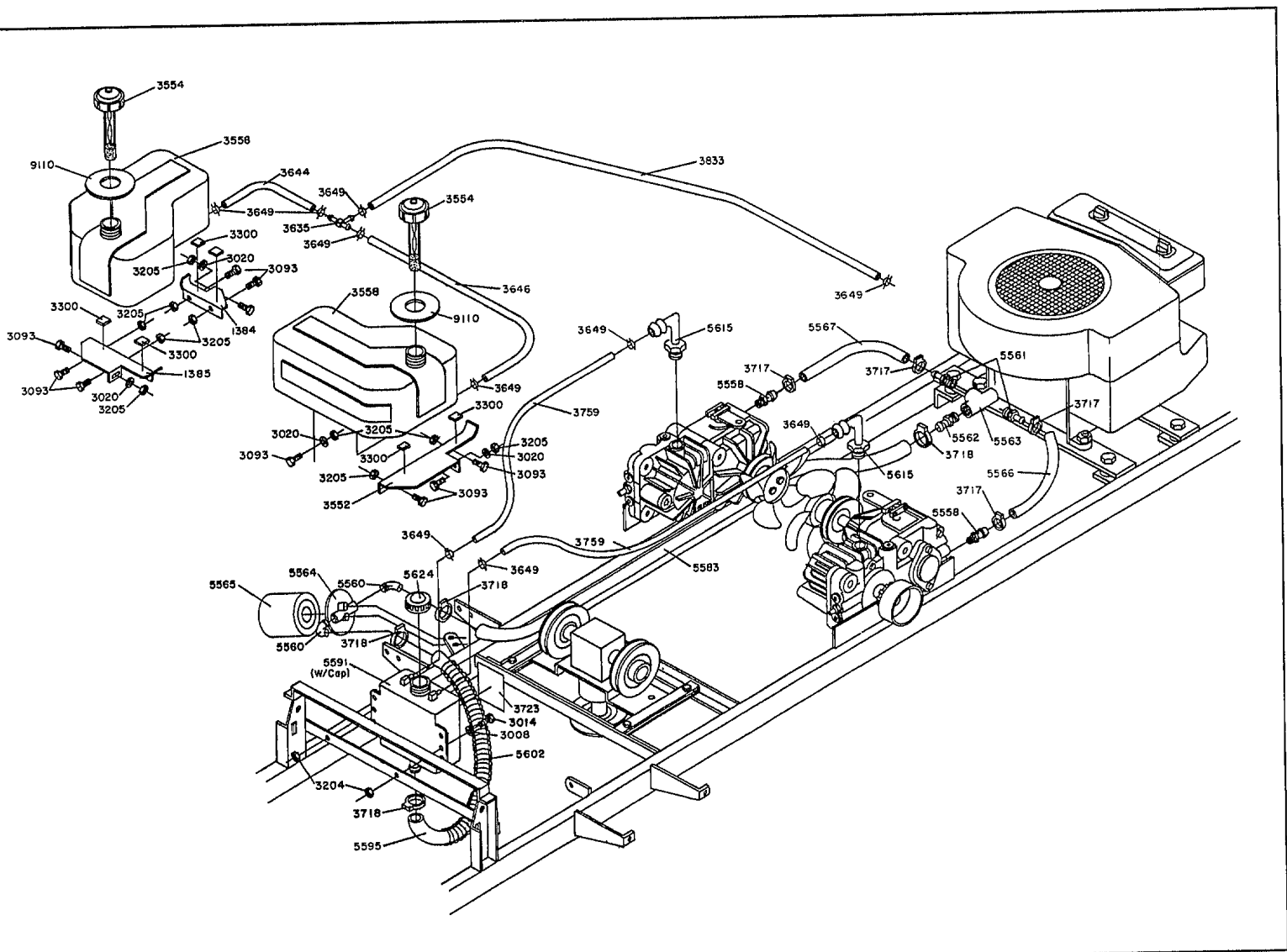
ZTR[®]

Parts Manual

Models 503 S/N 2365-3100

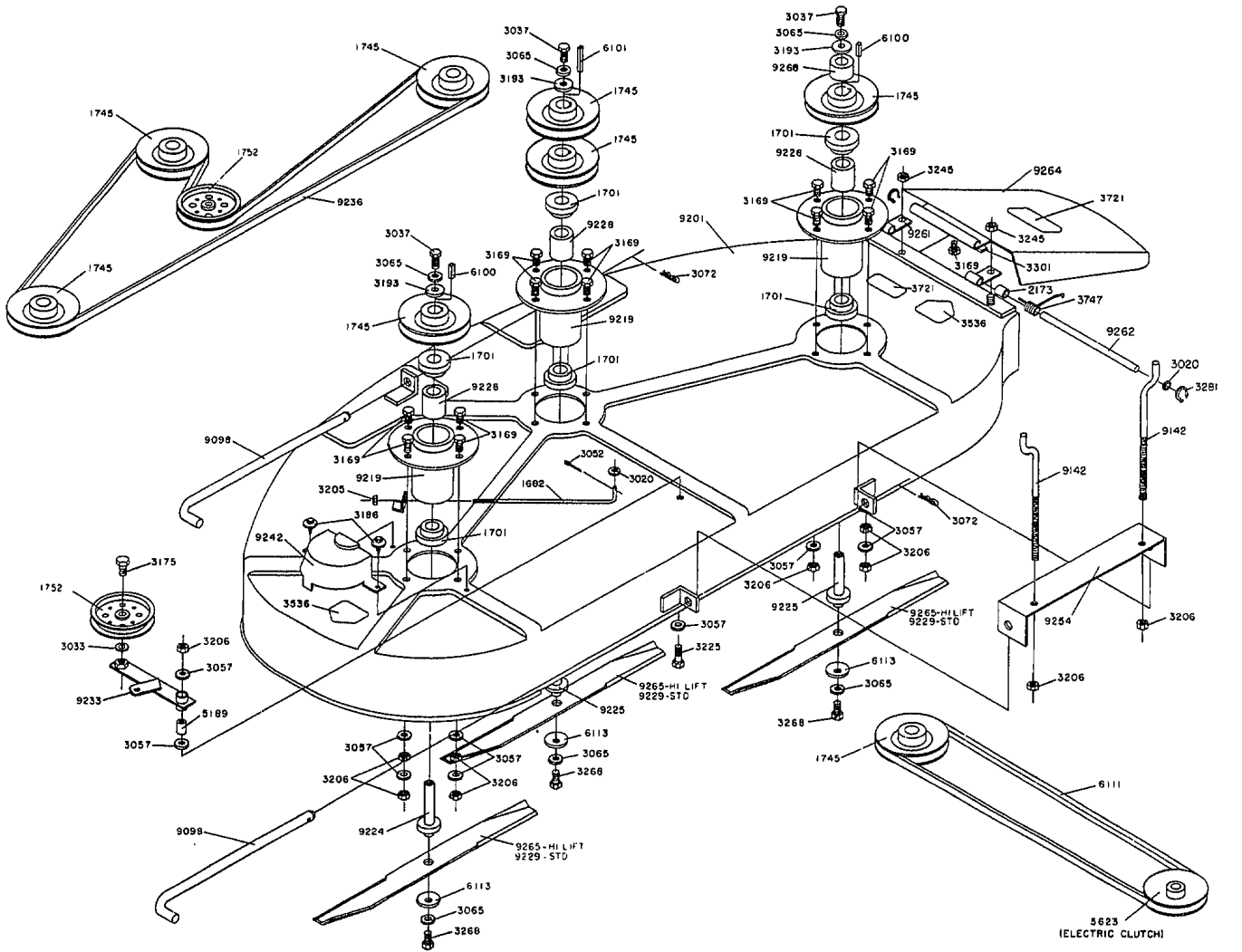
1990 T-Box & Hydrostats Assembly Model ZTR 502



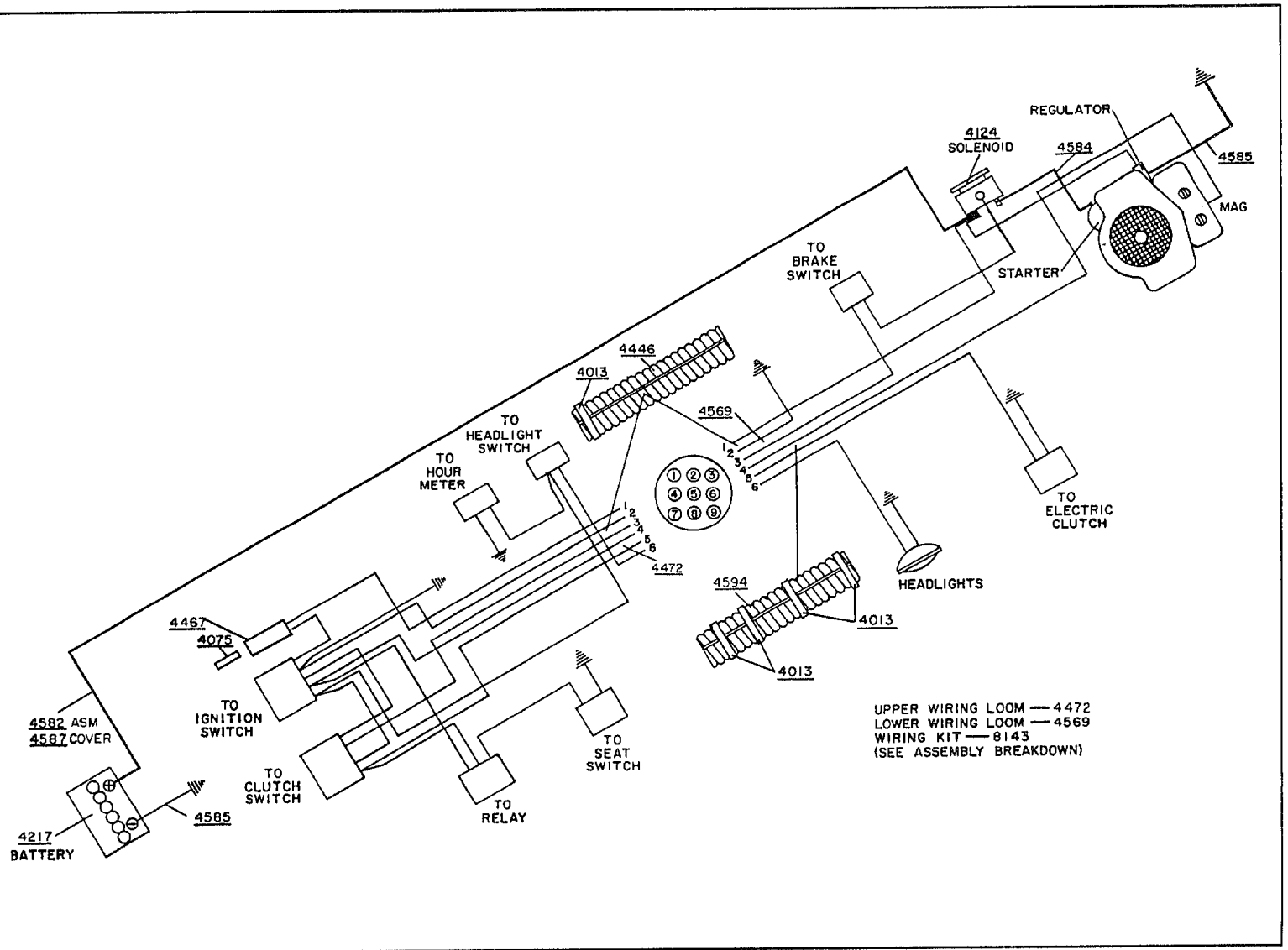


1990 Fuel & Hydraulics Tanks & Fittings Assembly Model ZTR 502

1990 Mower Deck Assembly Model ZTR 502



Part No. 9200



1990 Wiring Assembly Model ZTR 502