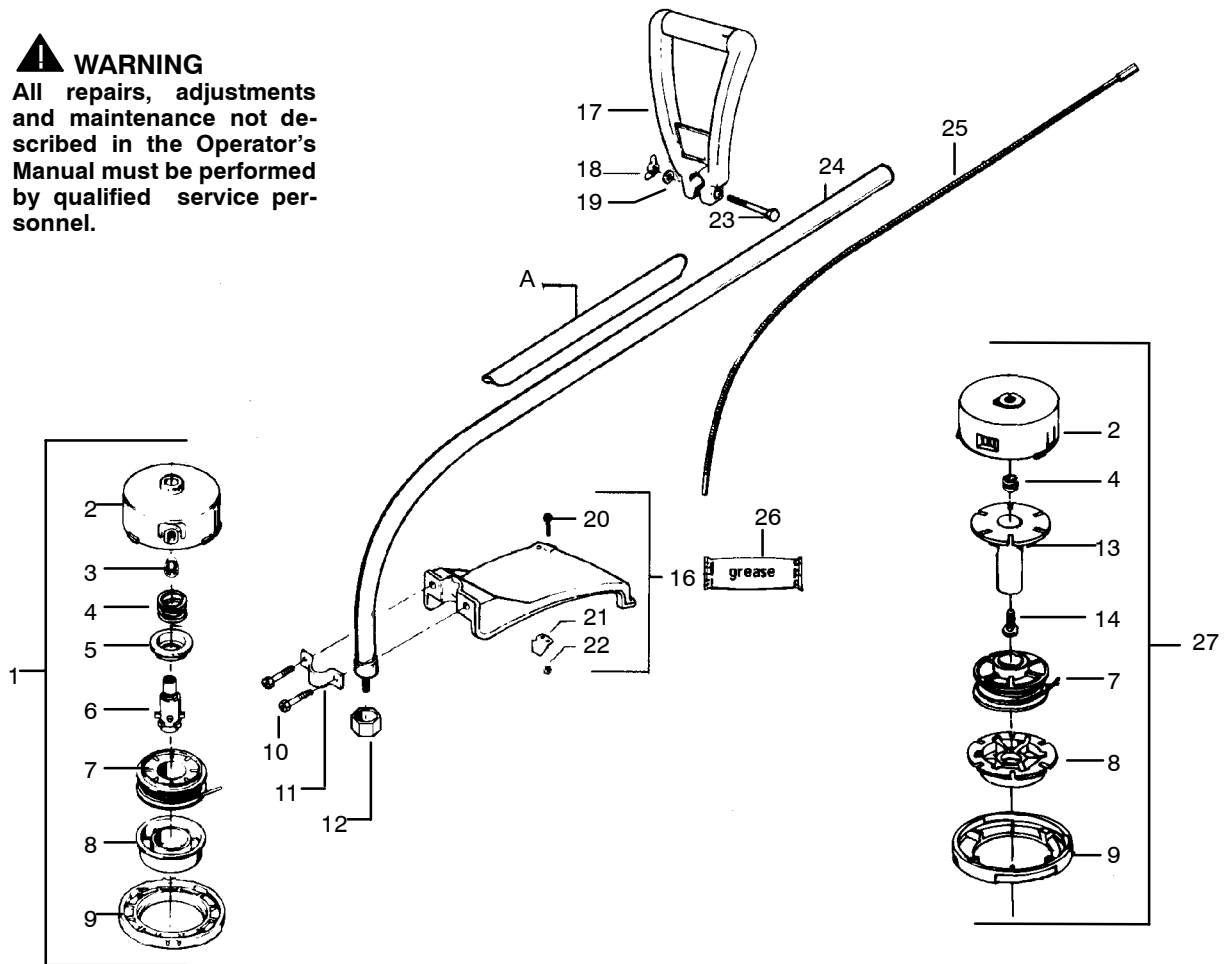


⚠ WARNING
 All repairs, adjustments and maintenance not described in the Operator's Manual must be performed by qualified service personnel.



KEY NO.	PART NO.	DESCRIPTION	KEY NO.	PART NO.	DESCRIPTION
1	530-093894	Cutting Head Ass'y. (Incl. #2-9) - See Service Ref. 5.	17	530-010722	Assist Handle
2	-	Hub w/Line Saver	18	530-091373	Wing Nut
	530-093896	Model 1600	19	530-092062	Washer
	530-094562	Model 1600T	20	530-015337	Screw #10-24x1
3	530-093898	Line Saver (Model 1600 Only)	21	-	Line Limiter
4	-	Spring		530-093853	Model 1600
	530-092067	Model 1600		530-094570	Model 1600T
	530-094525	Model 1600T	22	530-015653	Nut
5	530-092068	Spring Adaptor-Model 1600 Only	23	530-015737	Screw
6	530-093897	Drive Gear-Model 1600 Only	24	-	Drive Shaft Ass'y (Incl. #12
7	-	Spool w/Line		530-093934	Model 1600-T1
	952-701523	Model 1600		530-094439	Model 1600-T2,3 Model 1600T-T1
	952-701606	Model 1600T	25	-	Flexible Shaft Ass'y.
8	-	Release Button		530-093928	Model 1600-T1
	530-093387	Model 1600		530-093936	Model 1600-T2,3 Model 1600T-T1
	530-094522	Model 1600T	26	530-030102	Flex Shaft Lube
9	-	Cover	27	952-701604	Cutting Head Ass'y.(Incl. #2,4,7,8,9,13, & 14) - See Service Ref. 5.
	530-092133	Model 1600			
	530-094521	Model 1600T			
10	-	Screw	Decal		
	★★★★★	Model 1600- See Service Ref. 1	A	530-027430	Safety Label Decal
	530-092243	Model 1600T			
11	530-093653	Shield Bracket	Not Shown		
12	530-093716	Dust Cup		-	Operator's Manual
13	530-094523	Spool Post		530-066912	Model 1600
14	530-015542	Screw #10-24x5/8		530-067066	Model 1600T
16	-	Shield Kit Ass'y.			
	★★★★★	Model 1600- See Service Ref. 1			
	530-069249	Model 1600T			

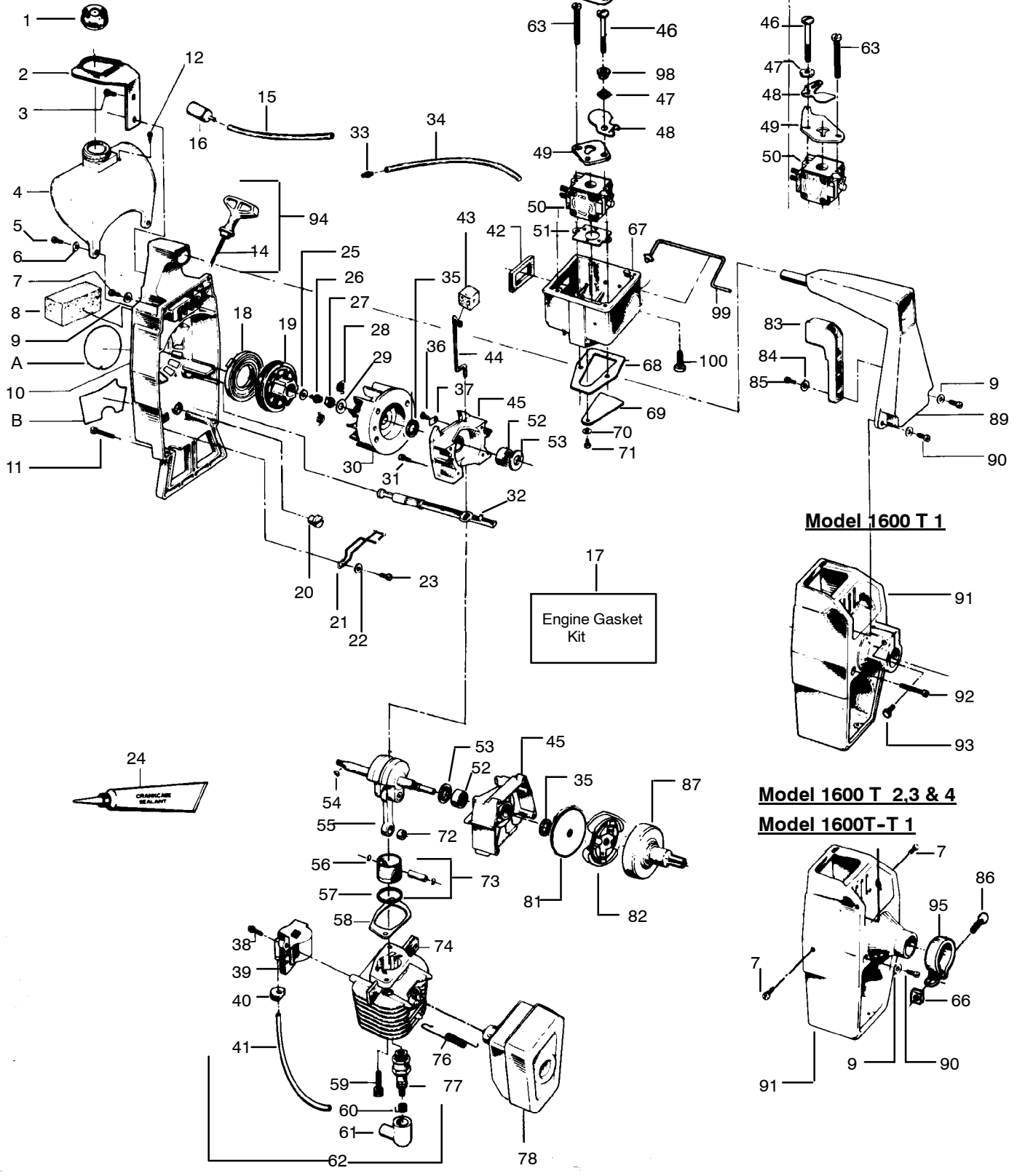
WEED EATER® PARTS LIST

NOTE: Illustrations may differ from actual models due to design changes.

**LINE TRIMMER
 MODEL: 1600 &
 1600T**

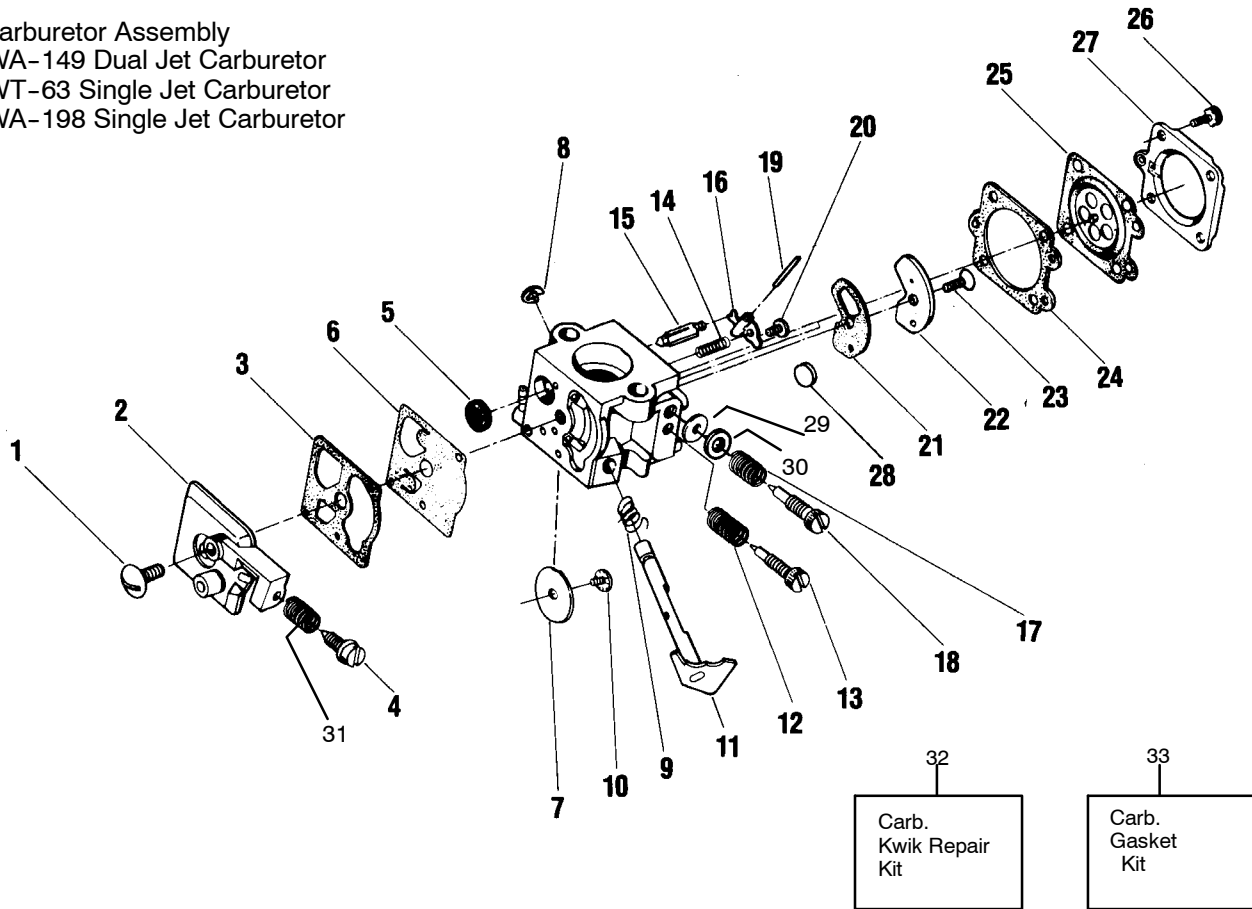
**Model 1600- T 3 & 4
 Model 1600T-T 1**

Model 1600 T 1 & 2



KEY NO.	PART NO.	DESCRIPTION	KEY NO.	PART NO.	DESCRIPTION
1	530-010729	Fuel Cap Ass'y.(Incl. "O" Ring)	56	530-015162	Wrist Pin Retainer
2	530-025377	Fuel Tank Bracket	57	-	Piston Ring
3	530-092243	Screw #1/4-20x1-1/8		530-024302	1600-T1,2 & 3
4	530-010887	Fuel Tank Ass'y. (Incl. #1,12,15 & 16)		530-027369	1600-T4; 1600T-T1
5	530-015509	Screw #10x1	58	† 530-019111	Cylinder Gasket
6	530-015123	Washer	59	530-015239	Screw #1/4-20x3/4
7	-	Screw	60	530-003933	Spark Plug Connector
	530-015168	1600-T1	61	530-003934	Spark Plug Boot
	530-015590	1600-T2,3 & 4; 1600T-T1	62	530-039103	High Tension Lead Ass'y.(Incl. #41,60 & 61)
8	530-024371	Air Filter	63	-	Carburetor Screw
9	530-015274	Washer #10-1600-T1 Only		530-015379	1600-T1 & 2
10	530-010891	Fan Housing		530-015674	1600-T3 & 4; 1600T-T1
11	-	Screw	64	530-015235	Screw
	530-015305	1600-T1	65	-	Carburetor Case Cover
	530-015594	1600-T2,3, & 4; 1600T-T1		530-026029	1600-T1 & 2
12	530-026119	Check Valve - Duck Bill		530-027100	1600-T3 & 4; 1600T-T1
14	530-069232	Rope Kit	66	530-015610	Nut #12-24
15	530-021045	Fuel Line-1600-T1 & 2	67	-	Carburetor Case Ass'y.
	530-069247	Line Kit -1600-T 3 & 4; 1600T-T1		530-010453	1600-T1 & 2
16	-	Fuel Pick-Up Ass'y.		530-027189	1600-T3 & 4;1600T-T1
	530-091878	1600-T1 & 2	68	530-019108	Carburetor Case Crankcase Gasket
	530-010897	1600-T 3 & 4; 1600T-T1	69	† 530-024438	Reed Valve
17	530-069219	Engine Gasket Kit (*Indicates Contents)	70	530-023367	Reed Valve Washer
18	530-042067	Starter Recoil Spring	71	530-015241	Screw #6-19x5/16
19	530-026048	Starter Pulley	72	-	Wrist Pin Bearing
20	530-026679	Kill Switch Button		530-032057	1600-T1, 2 & 3
21	530-026559	Kill Switch Spring		530-032092	1600-T4; 1600T-T1
22	530-015382	Washer	73	-	Piston Ass'y. (Incl. #56,57 & Pin)
23	530-015407	Screw #8x3/8		530-022198	1600-T1,2 & 3
24	530-030054	Crankcase Sealant - 3 oz. tube		530-069240	1600-T4; 1600T-T1
25	530-015123	Washer #10	74	530-012190	Cylinder
26	530-015479	Screw #10-3/4	76	530-024903	Muffler Attachment Spring
27	530-626605	Flywheel Nut	77	530-030077	Spark Plug (CJ-14)
28	530-042059	Starter Dog Spring	78	-	Muffler Ass'y.
29	530-015127	Washer		★★★★★	1600-See Service Reference 4
30	530-039114	Flywheel Ass'y. (Incl. #28)		530-069243	1600T
31	530-015369	Screw	81	530-069196	Clutch Washer Kit
32	-	Choke Knob	82	530-069194	Clutch Ass'y. Kit (Incl. Clutch Washer)
	530-024303	1600-T1 & 2	83	530-025342	Throttle Trigger
	530-027101	1600-T3 & 4; 1600T-T1	84	530-015382	Throttle Washer
33	-	Fuel Line Fitting	85	530-015407	Screw #8-16x3/8
	530-025472	1600-T1 & 2	86	530-015609	Screw 1/4-20x9/16 - 1600-T2,3 & 4;
	530-026981	1600-T3 & 4; 1600T-T1			1600T-T1
34	530-021073	Carburetor Fuel Line	87	-	Drum & Coupling Ass'y.
35	† 530-019059	Crankshaft Seal		530-010796	1600-T1
36	530-015004	Screw - 1600-T1 & 2 Only		530-010797	1600-T2,3 & 4; 1600T-T1
37	530-024651	Choke Wire Clamp - 1600-T1 & 2 Only	89	530-025704	Handle
38	530-015128	Screw #8-32x3/4	90	530-015163	Screw #10-24x7/8
39	530-069181	Ignition Module Kit	91	-	Shroud
40	530-024435	Plug Wire Grommet		530-012096	1600-T1
41	530-039082	High Tension Lead Wire		530-026547	1600-T2,3 & 4; 1600T-T1
42	† 530-019105	Carburetor Case Seal	92	530-015376	Screw #10-24x1-1/2 - 1600-T1
43	† 530-023373	Choke Wire Boot - 1600-T1 & 2 Only			Only
44	530-026236	Choke Wire - 1600-T1 & 2 Only	93	530-625509	Pinch Clamp Bolt-1600-T1 Only
45	530-010757	Crankcase Ass'y (Incl. #35,52 and Qty. 1 of #31)	94	★★★★★	Rope & Handle Starter Ass'y. - See Service Ref. 3
46	-	Carburetor Screw	95	530-026560	Clamp-1600-Type 2,3 & 4 1600T-T1
	530-015404	1600-T1 & 2	96	530-015740	Screw
	530-015630	1600-T3 & 4; 1600T-T1	97	530-015741	Washer-1600-T 3 & 4;1600T-T1
47	530-015254	Wave Washer	98	530-015673	Spacer-1600-T 3 & 4; 1600T-T 1
48	-	Choke Shutter	99	530-027190	Throttle Wire-1600-T3 & 4;
	530-024558	1600-T1 & 2			1600T-T1
	530-026772	1600-T3 & 4; 1600T-T1	100	530-015723	Screw-1600-T3 & 4; 1600T-T1
49	-	Guide Plate			
	530-026237	1600-T1 & 2			
	530-026797	1600-T3 & 4; 1600T-T1			
50	530-035183	Carburetor (WA-149)			
51	† 530-019157	Carburetor Gasket	Decals	-	Starting Instructions Decal
52	530-032029	Crankshaft Bearing	A	-	1600-T1 & 2
53	530-015351	Crankshaft Thrust Washer		530-025708	1600-T3 & 4; 1600T-T1
54	530-015126	Flywheel Key		530-027312	Choke/Off Decal
55	-	Crankshaft & Rod Ass'y.	B	-	1600-T1 & 2
	530-026675	1600-T1 & 2		530-026421	1600-T1 & 2
	530-010858	1600-T3		530-027116	1600-T3 & 4;1600T-T1
	530-010844	1600-T4; 1600T-T1			

A. Carburetor Assembly
 WA-149 Dual Jet Carburetor
 WT-63 Single Jet Carburetor
 WA-198 Single Jet Carburetor



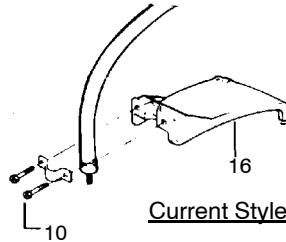
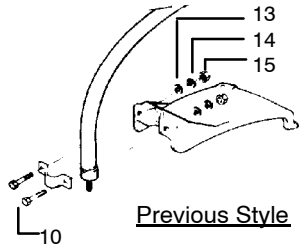
KEY NO.	PART NO.	DESCRIPTION	KEY NO.	PART NO.	DESCRIPTION
1	530-035017	† Screw-Pump Cover	20	530-035016	Screw-Metering Lever Pin
2	530-035191	☆†Pump Cover Ass'y. (Incl. #4)	21	-	☆†Gasket-Circuit Plate
3	530-035164	Gasket-Pump		530-035147	WA-149
4	-	Screw-Idle Adjustment-		530-035211	WA-198
	530-035156	WA-149 & WT-63	22	-	Plate-Circuit
	530-035203	WA-198		530-035042	WA-149
5	530-035178	†Screen-Inlet		530-035261	WA-198
6	530-035166	☆†Diaphragm-Pump	23	530-035137	†Screw-Circuit Plate-WA-149 & WA-198
7	-	Valve-Throttle	24	530-035151	☆†Gasket-Metering Diaphragm
	530-035133	WA-149	25	530-035014	☆†Diaphragm Ass'y.-Metering
	530-035254	WT-63 & WA-198	26	-	Screw Ass'y.-Metering Cover & Throttle Shaft
8	530-035007	Clip-Throttle Shaft		530-035153	WA-149
9	530-035138	Spring-Throttle Return		530-035021	WT-63 & WA-198
10	530-035015	†Screw-Throttle Valve	27	-	Cover-Metering Diaphragm
11	530-035132	Shaft Ass'y.-Throttle		530-035149	WA-149
12	530-035023	Spring-Idle Needle-WA-149		530-035003	WT-63 & WA-198
13	530-035141	Needle-Idle-WA-149	28	530-035162	†Plug-5/16" Dia. Welch
14	530-035139	†Spring-Metering Lever		530-035218	WT-63 Only
15	530-035106	†Valve-Inlet Needle	29	530-035217	"O" Ring Mixture
16	530-035031	Lever-Metering	30	530-035217	Mixture Washer
17	-	Spring-Hi Speed Needle	31	530-035208	Spring-Idle Speed
	530-035036	WA-149	32	-	Kit-Carb. Kwik Repair (†Indicates Contents)
	530-035200	WT-63		530-035185	WA-149
	530-035214	WA-198		530-035199	WT-63
18	-	Needle-High Speed		530-035220	WA-198
	530-035142	WA-149	33	-	Kit-Carb. Gasket/Diaphragm(☆Indicates Contents)
	530-035255	WT-63		530-035186	WA-149 & WT-63
	530-035212	WA-198		530-035219	WA-198
19	530-035028	†Pin-Metering Lever			

SERVICE REFERENCES

1. SHIELD ASSEMBLY KIT - PAGE 1.

To replace shield fasteners, refer to drawings below. Identify the shield style with which your unit is equipped and order accordingly.

To replace a shield, use Kit #530-069213. The current style shield will retrofit previous style by using the fasteners in the kit.



<u>Key No.</u>	<u>Part No.</u>	<u>Description</u>
10	530-625567	Bolt
13	530-015209	Washer
14	530-001642	lockwasher
15	530-001615	Nut

<u>Key No.</u>	<u>Part No.</u>	<u>Description</u>
10	530-092243	Screw
16	530-069213	Shield Kit Ass'y. (Incl. #10,20,21 & 22 from page 1)

2. CLUTCH ASSEMBLY KIT - PAGE 3.

Clutch Tool #530-031112 must be used to remove the current style clutch (Clutch Assembly Kit #530-069194) to avoid damage to the clutch. Do not use a punch or hammer or strike the clutch with any instrument. Clutch Tool #530-031085 should be used to remove earlier style clutches.

Current Style Clutch
#530-069194



Use
Clutch Tool
#530-031112

Previous Style Clutch



Use
Clutch Tool
#530-031065

3. ROPE AND STARTER HANDLE - PAGE 3.

Early units used a molded handle and rope that could be serviced only as 1 piece. Current units incorporate a rope and handle that can be replaced as individual pieces or as an assembly.

Early Style (1 piece)

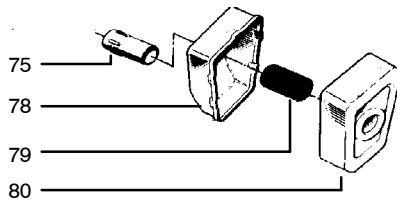
<u>Key No.</u>	<u>Part No.</u>	<u>Description</u>
94	530-026112	Rope and Starter Handle

Current Style (2 piece)

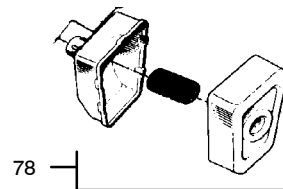
<u>Part No.</u>	<u>Description</u>
530-026792	Rope and Starter Handle Ass'y. (Incl. Handle & Rope)
Individual Parts may be ordered as follows:	
530-026735	Handle
530-069232	Rope Kit

4. MUFFLER ASSEMBLY - PAGE 3.

To replace your muffler note the drawings below and order accordingly. If your unit has a separate diffuser, order parts as noted. Order the Muffler Kit for the built-in diffuser as shown.



<u>Key No.</u>	<u>Part No.</u>	<u>Description</u>
75	530-026949	Muffler Diffuser
78	530-024362	Muffler Body
79	530-024364	Spark Arresting Screen
80	530-024361	Muffler Cover



<u>Key No.</u>	<u>Part No.</u>	<u>Description</u>
78	530-069243	Muffler Kit

Parts List No. 530-066428- 4/18/88	WEED EATER® PARTS LIST NOTE: Illustrations may differ from actual models due to design changes.	LINE TRIMMER MODEL: 1600 & 1600T
Page6		
REPLACES 66428- 12/28/87		

SERVICE REFERENCES

1. CUTTING HEAD ASSEMBLY'S-PAGE 1.

Check the illustrations listed below to determine the type of cutting head on your unit.
Note the differences in the cutting line exit holes and order parts accordingly.

