



SERVICE MANUAL 2-48DC

VERSION 1.7

Index

Maintenance log	03
1. Spare parts	04
Contact	



Inspection comments

Inspection before initial operation on:	_____
By:	_____
Date of initial operation:	_____
Serial number & Year of manufacture:	_____

Recurring inspections / maintenance log

Date/hour counter	Findings	Repairs / Cleaning	Test on	By*

*competent person

1. Spare parts

Fig. 01

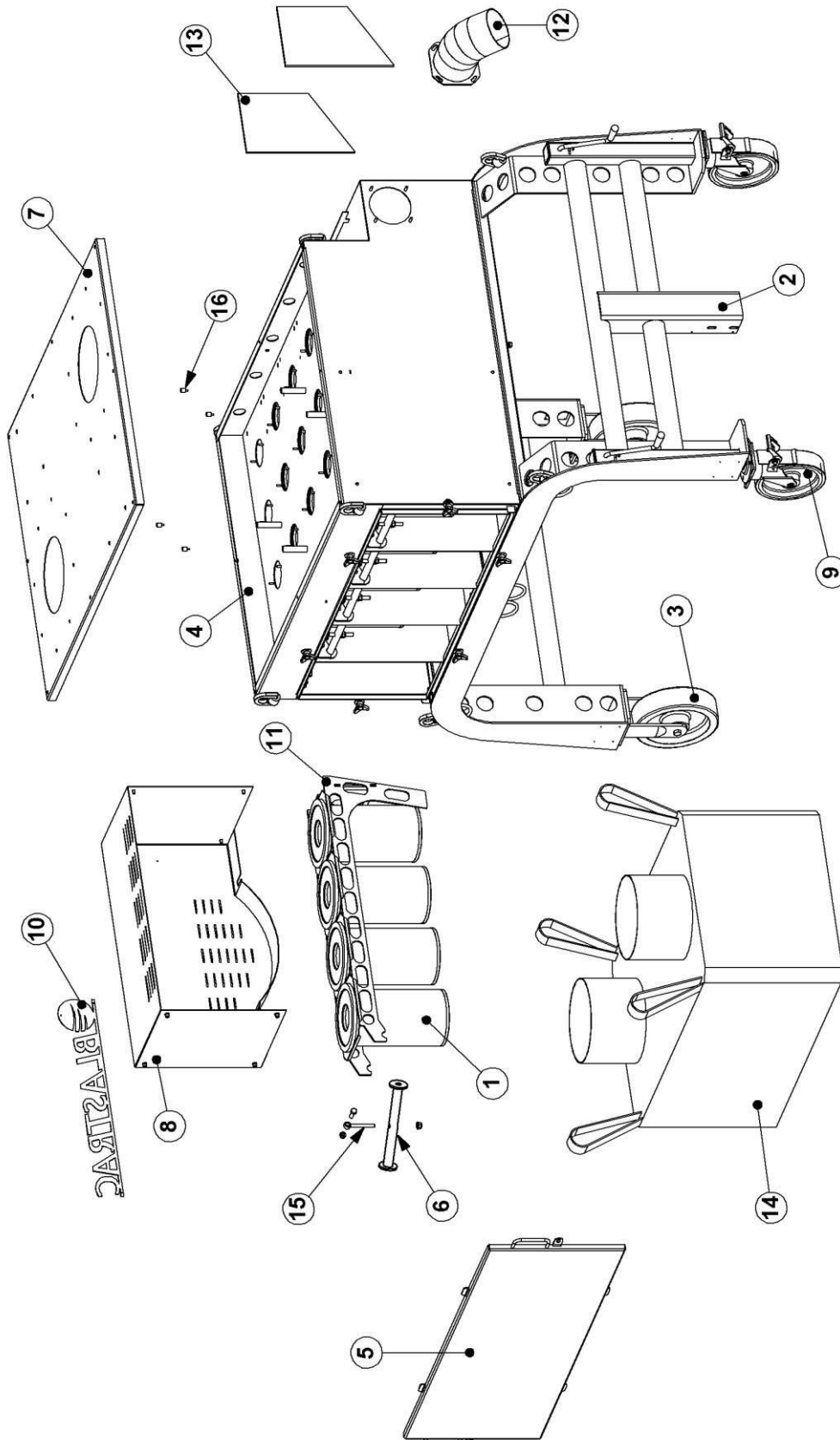


Fig. 01

Item	Husqvarna part number	Part number	Description	Qty.
1	533969201	E10600	Cartridge filter	20
2	535231101	E08741	Frame 2-48DC	1
3	534809001	E08772	Wheel	2
4	535177701	E08743	Filter house	1
5	535165301	E08744	Door filter house	1
6	533172101	E09874	Locking bar	5
7	535177901	E08750	Filter house cover	1
8	535151001	E08753	Compressor cover	1
9	533953401	E10207	Swivel castor	2
10	535111501	E08754	Logo Blastrac	1
11	535177501	E11259	Filter bracket	5
12	535171701	E08768	Elbow	2
13	534815201	E09041	Rubber impact plate	2
14	533993301	E08784	Big bag	1
15	533698301	BE0672	Eye bolt M10x120	5
16	534014001	E03466	Shock absorber	4

Fig. 02

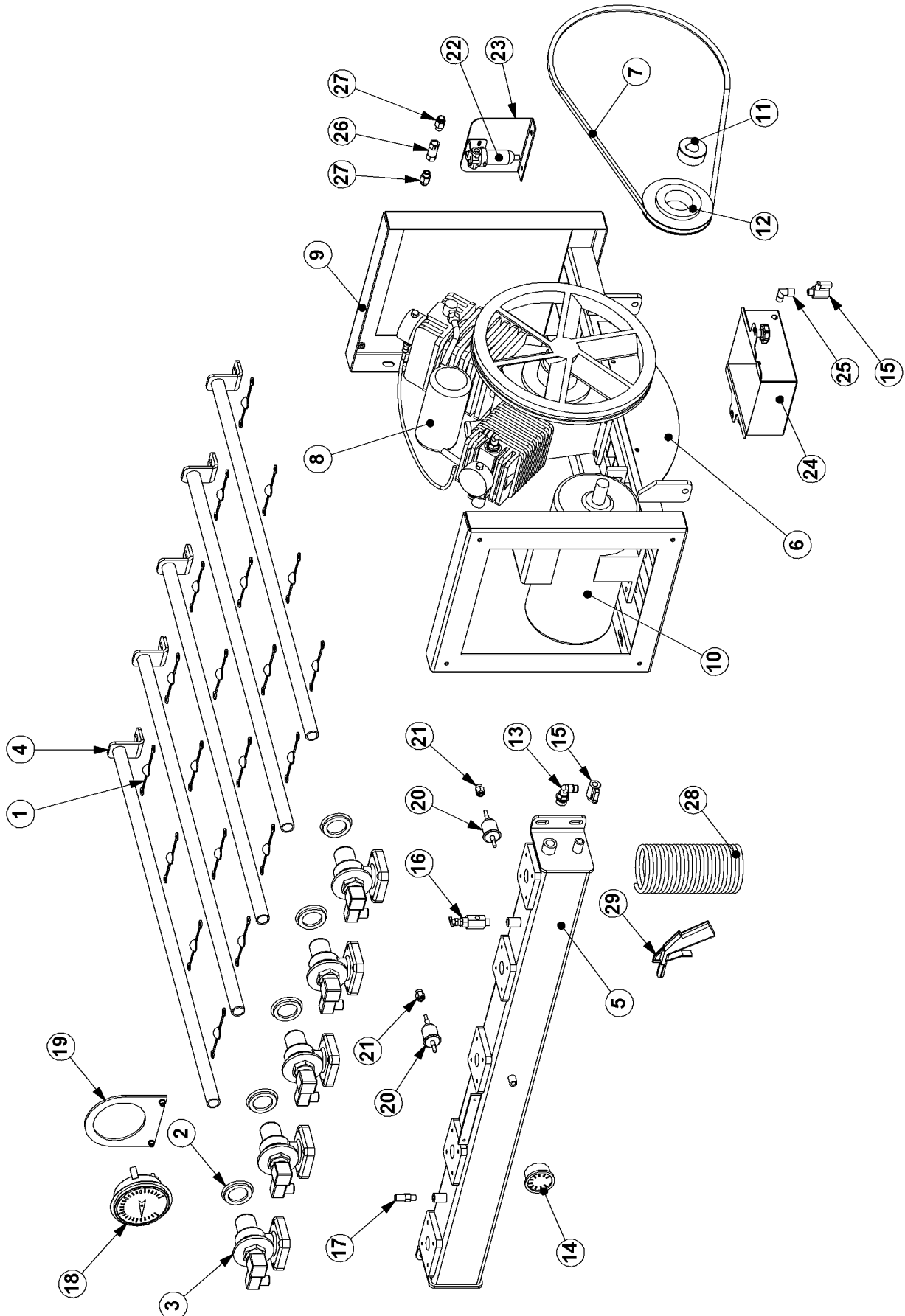


Fig. 02

Item	Husqvarna part number	Part number	Description	Qty.
1	533465401	E07763	Divider	20
2	534341901	E04568	Filter house seal	5
3	533787801	E06366	Pulse valve only (without solenoid)	5
	534512401	E06366/1	Diaphragm assy for pulse valve	5
	533798101	E06367	Air valve solenoid 24V AC	5
4	535230001	E08748	Pulse pipe	5
5	535230101	E08749	Pulse tank	1
6	535228701	E08756	Protection plate	1
7	534930601	491825	V-belt 50Hz	1
	534321001	E00623	V-belt 60Hz	1
8	533662601	E00306	Compressor	1
9	535150901	E08751	Compressor bracket	1
10	533241801	976688	Compressor motor 1.5kW	1
11	534892401	222-2270	Taper lock bush	1
12	534892601	491824	Taper lock pulley	1
13	533764501	B20057	Adaptor knee 10x1/2"	1
14	533823401	E10349	Mounting manometer	1
15	533838601	E14003	Mini ball valve 1/4" m/f bsp	2
16	534411701	490691	Control valve	1
17	533256701	E01303	Safety valve	1
18	534775201	491837	Difference pressure manometer	1
19	535162301	E08773	Difference pressure manometer support	1
20	533529701	2381-365	Filter vacuum gauge	2
21	534739901	E03216	Hose conn.straight 6x1/4"mbsp	2
22	533842701	E07456	Water separator continuous drain system 1/4"	1
23	535225901	E08775	Plate water separator	1
24	533250501	E06932	Drain box	1
25	533527901	E03197	Knee 1/4" MBSPT x 1/4" FBSP	1
26	533730501	B21750	Non return valve 1/4" fbsp	1
27	533884801	E00674	Hose conn.straight 10x1/4"mbsp	2
28	534296001	DA--9290.2	Airhose 6 MM. L 5 MTR.	1
29	534295001	DA--9290.1	Airpistol	1

Fig. 03

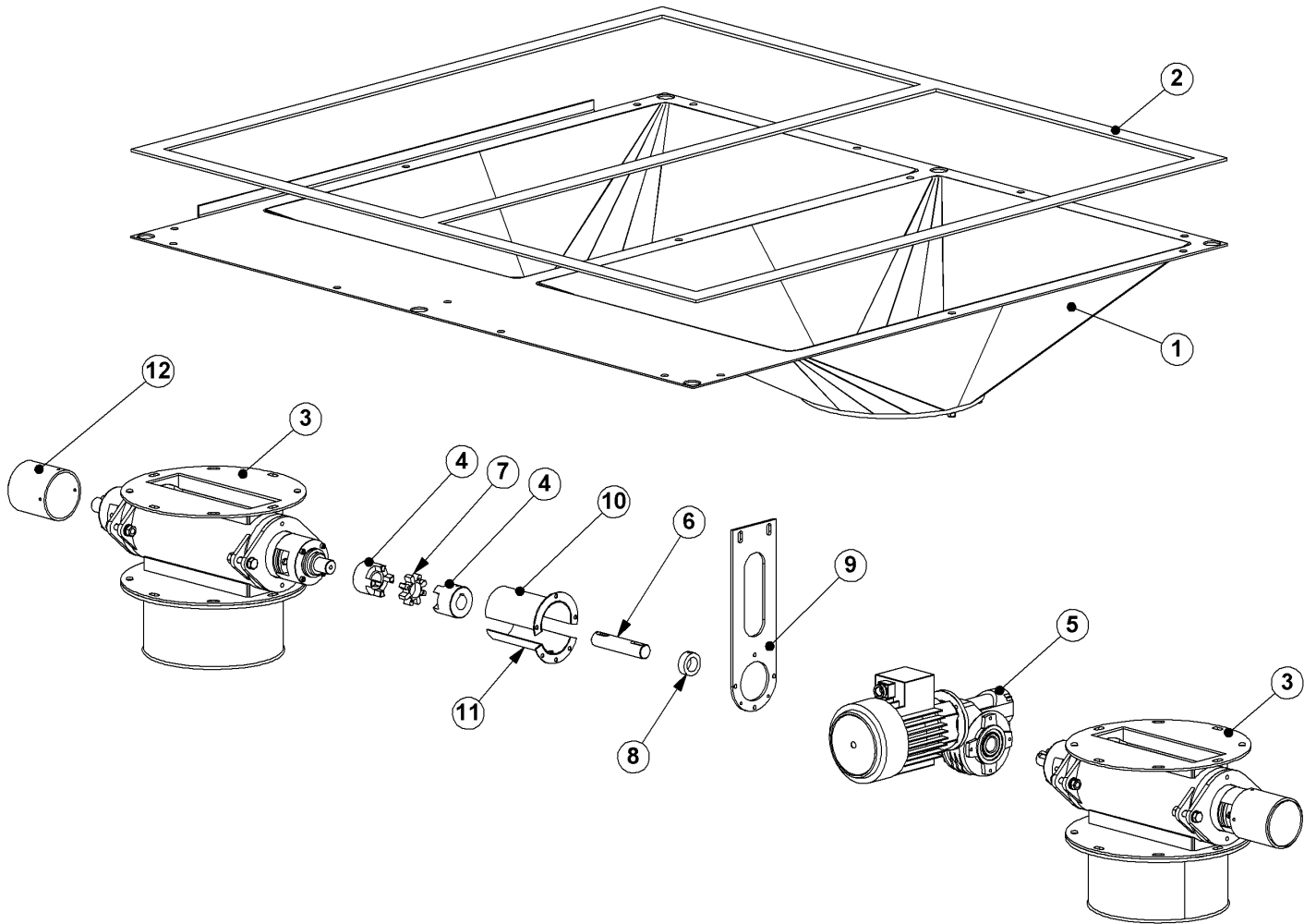


Fig. 03

Item	Husqvarna part number	Part number	Description	Qty.
1	535170001	E08766	Dust hopper	1
2	533022401	E00689	Adhesive seal 20x5 L=13500	1
3	533226501	E09024	Rotating valve assembly	2
4	534812601	E09040	Rotex coupling	2
5	533856101	E00590	Drive motor AC incl. gearbox	1
6	534414301	E09010	Coupling shaft	1
7	533061801	E04052	Rotex coupling insert	1
8		BE0162	Adjusting ring 25x40x16	1
9	535166401	E09009	Drive motor plate	1
10	534779301	E09012	Protection cover	1
11	534779201	E09020	Protection cover bottom	1
12	533224801	B20515	Shaft cover	2



Fig. 04

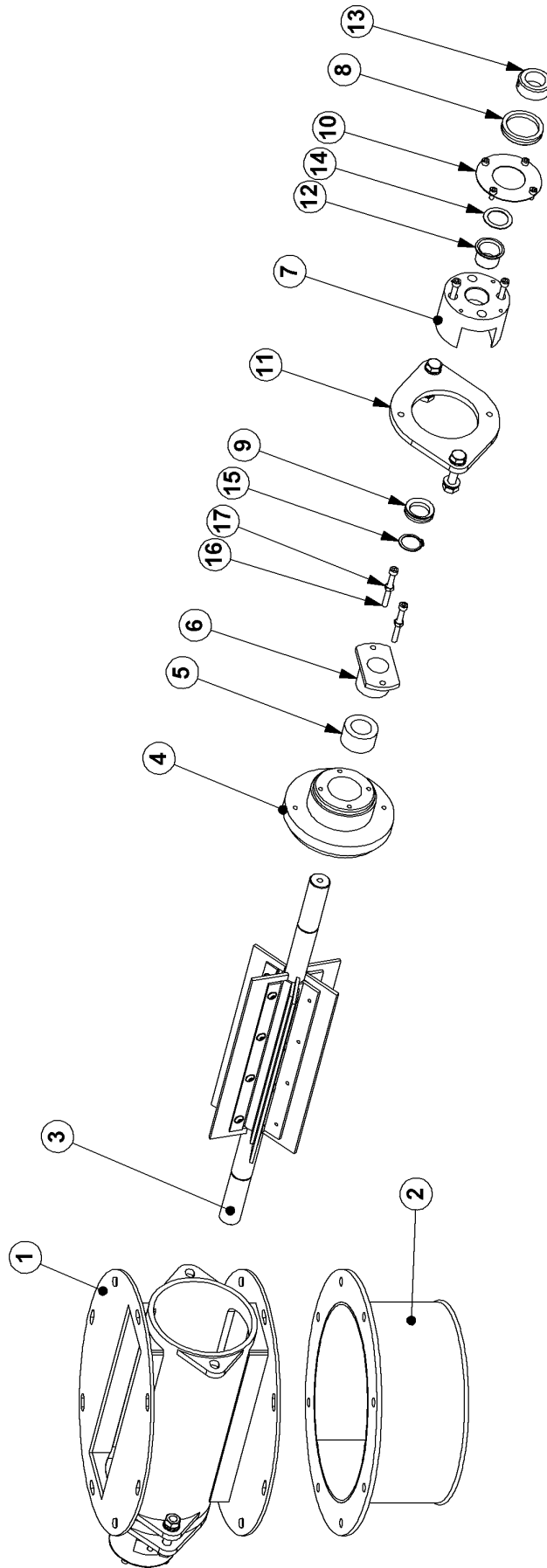


Fig. 4

Item	Husqvarna part number	Part number	Description	Qty.
1	535235301	E09022	Rotating valve housing	1
2	535107701	E09023	Big bag adapter	1
3		E09025	Rotating valve axle complete	1
4	534823501	E09029	Seal house	2
5	534600601	E09030	Gland seal	2
6	534774601	E09031	Pressing bush	2
7	534315901	E09032	Bearing house valve	2
8	534930101	E09033	V-seal Ø40 shaft	2
9	534930001	E09034	V-seal CR 400450	2
10	535263201	E09035	Valve cover	2
11	535149401	E09011	Clamp plate	2
12	534581901	E06032	Flanged bush 25x28 L21.5	2
13		BE0162	Adjusting ring 25x40x16	2
14			Shim 25x35x1	2
15			Circlip Ø25 for shaft	2
16			M6x55 Hexag on Socket Head Cap	8
17			M6-Nut	4

Fig. 05

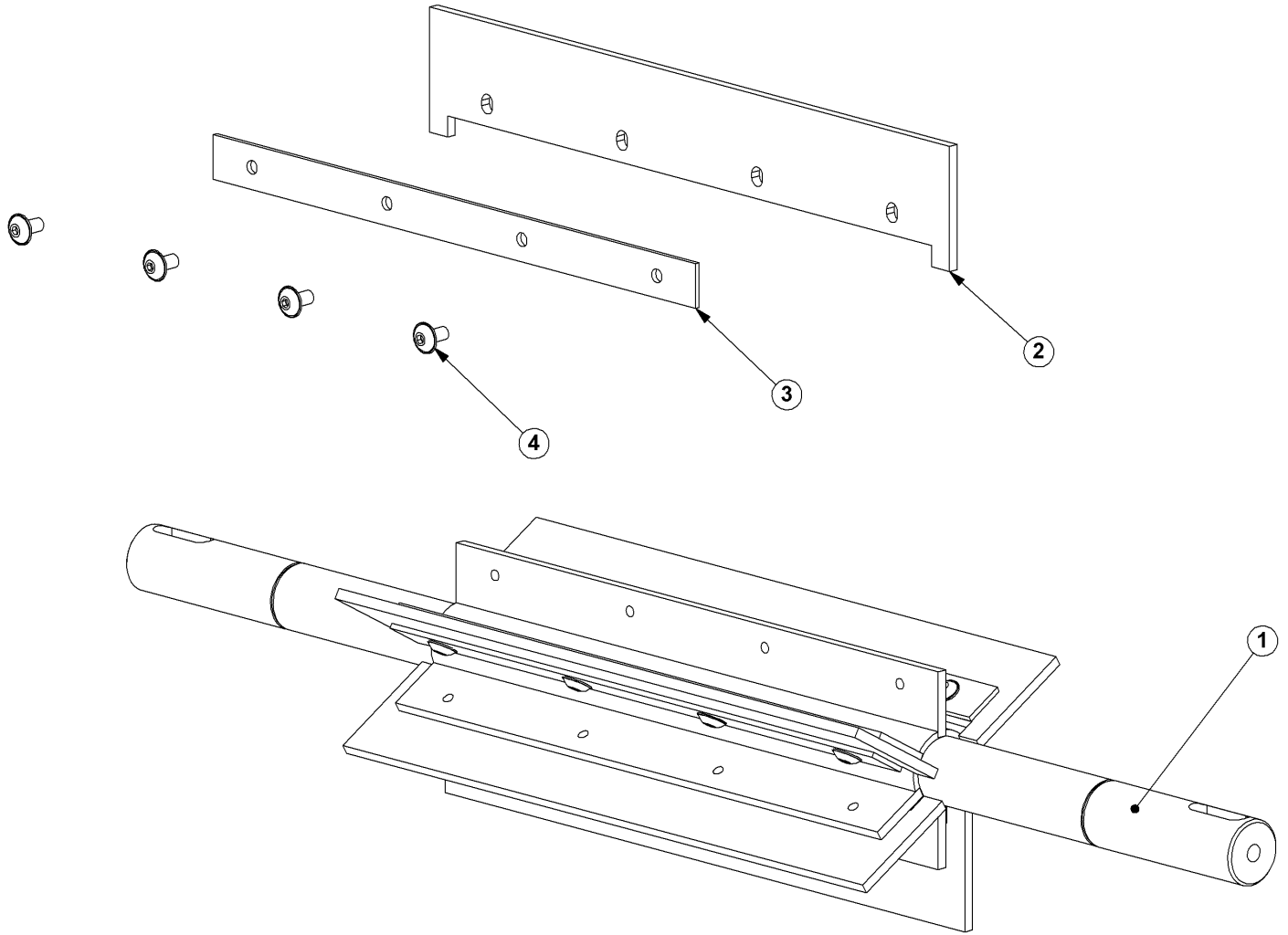


Fig. 05

Item	HV part number	Part number	Description	Qty.
1	534812001	E09026	Rotating valve axle	1
2	534812401	E09027	Rotating valve rubber blade	6
3	534812301	E09028	Rotating valve clamp plate	6
4	534330301	BE0685	M5x10 hex socket butt h cap w flange	24



Fig. 06

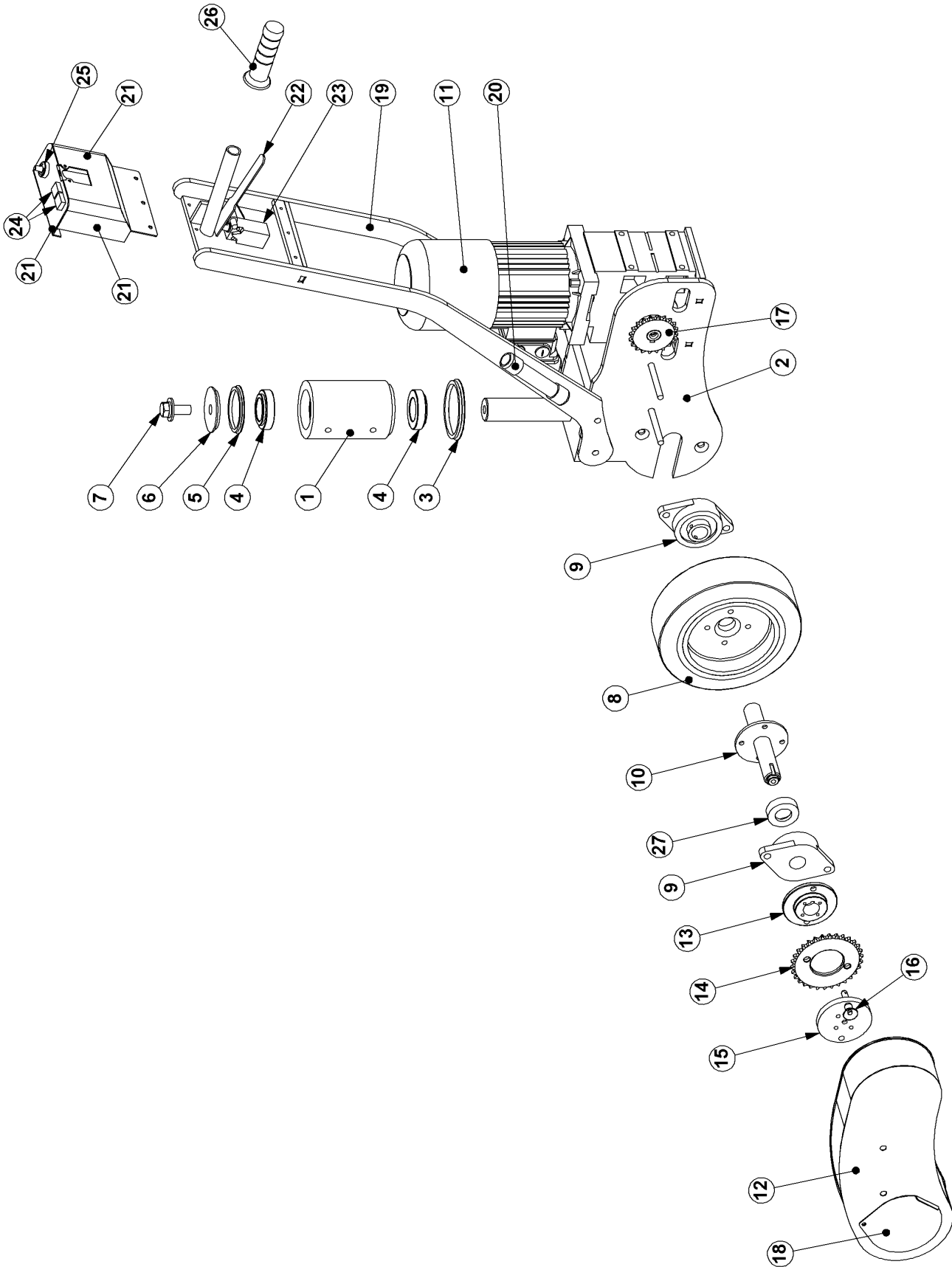


Fig. 06

Item	HV part number	Part number	Description	Qty.
1	534313301	E09036	Bearing barrel	1
2	533457501	E00739	Drive wheel bracket	1
3	534929701	E02336	V-ring seal	1
4	534313001	E02253	Tapered roller bearing	2
5	534929601	E02335	V-ring seal	1
6	534314501	E02232	Bearing cover plate	1
7		BE0381	M16x40 Bolt	1
8	534907101	476405	Traction wheel	1
9	531474201	976682	Bearing	2
10	533956301	E00742	Drive wheel shaft	1
11	535723701	E00664	Drive motor 1.1kW	1
12	533068001	E00744	Chain guard	1
13	534642001	488551	Hub	1
14	534640601	477631	Idler sprocket	1
15	534863101	477630	Sprocket retainer	1
16	533256401	478198	Quick release pin	1
17	533781301	E00732	Drive sprocket	1
18	534387301	979971	Cover plate chain guard	1
19	533103101	E00737	Steering handle	1
20	533368001	E00368	Cable guide- end	2
21	533241401	E00740	Control box	1
22	533783701	E00743	Switch lever	1
23	534668101	454796	Limit switch	1
24	533850701	E00867	switch	2
25	533613001	E00866	Potentiometer	1
26	534612901	453290	Handle grip	1
27	533318901	E07293	Distance bush drive wheel	1

Fig. 07

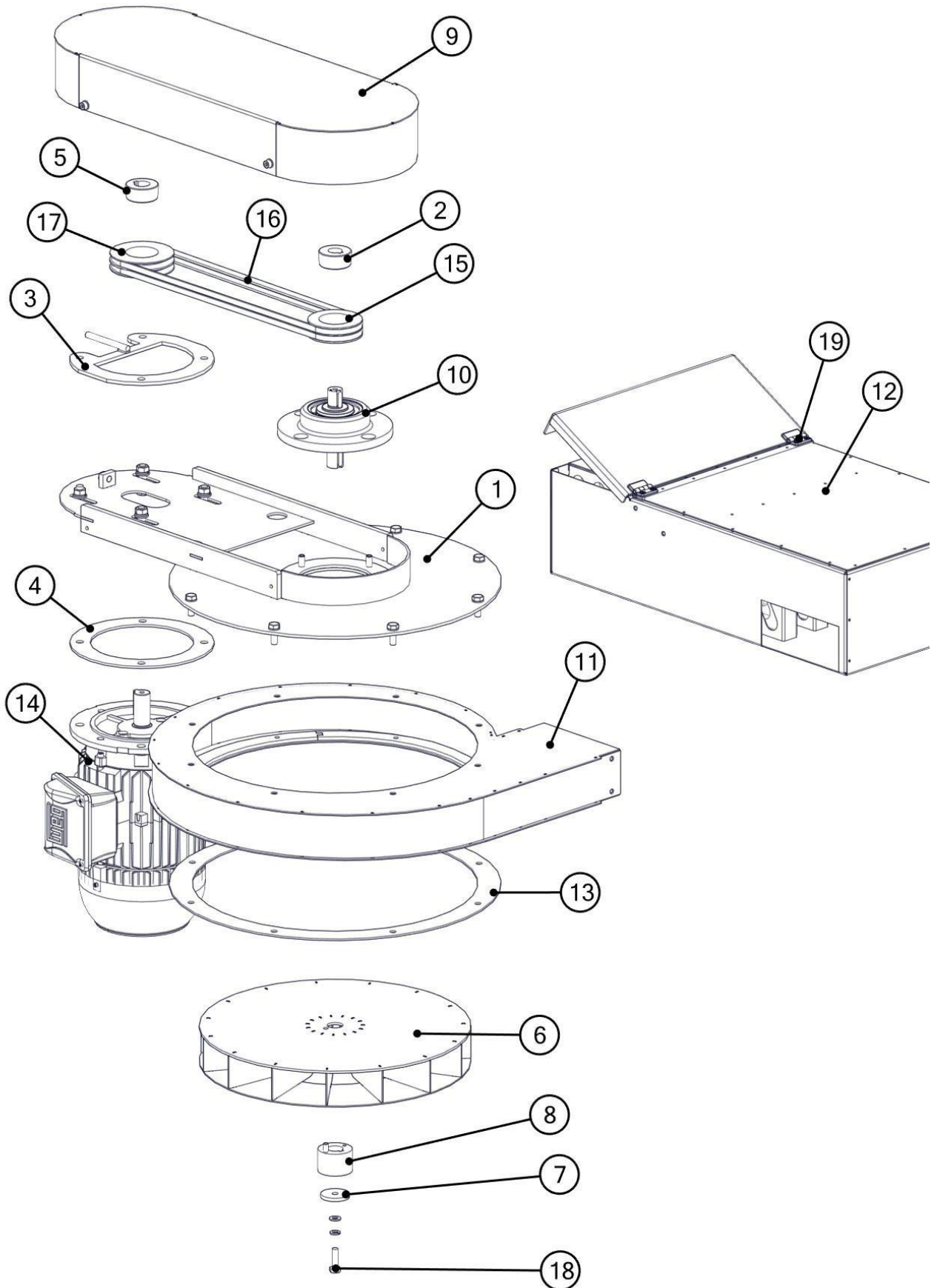
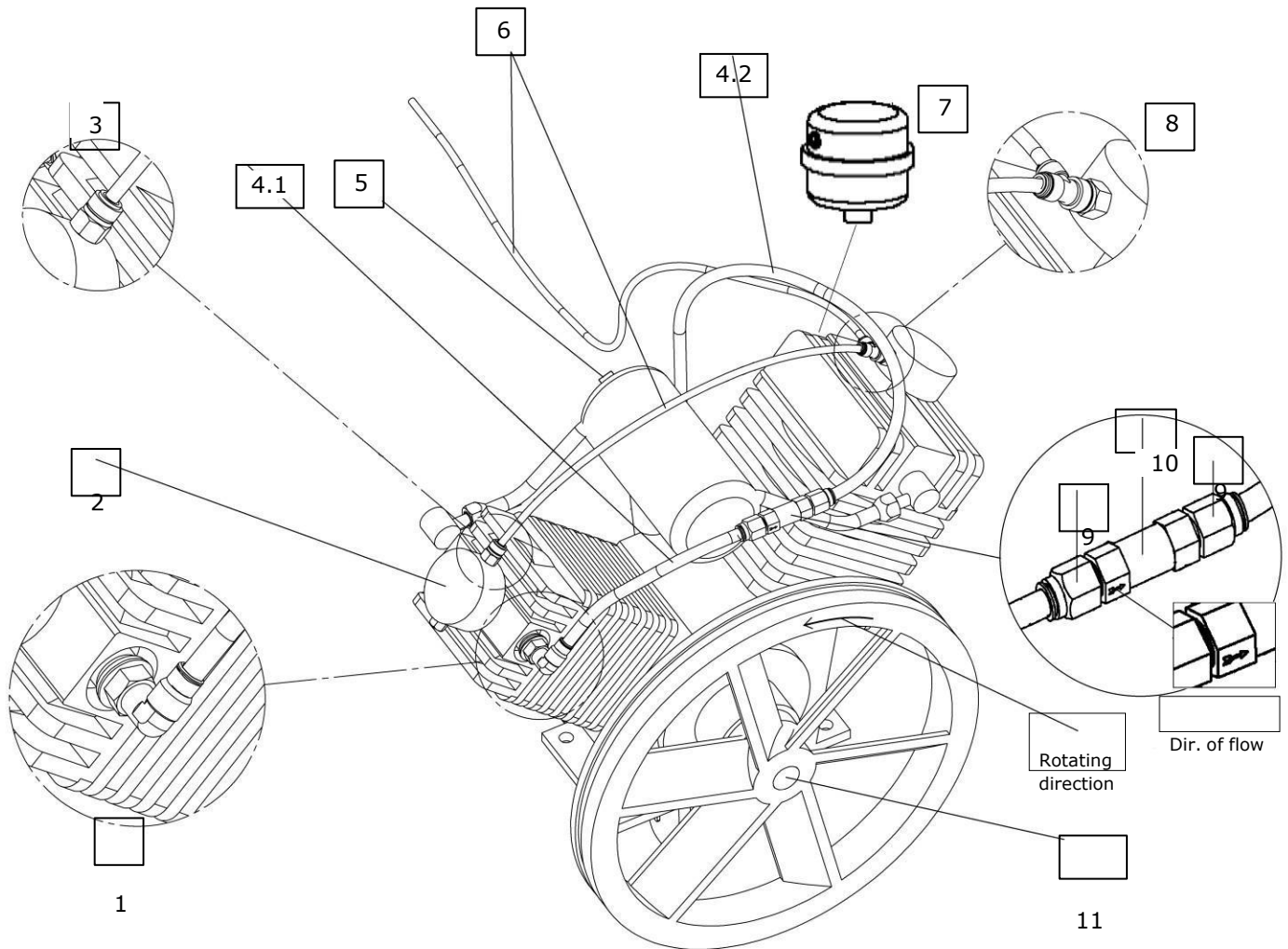


Fig. 07

Item	Husqvarna part number	Part number	Description	Qty
1	533480701	E07059	Motor mounting bracket	1
2	531490901	222-2301-V	Taperlock bush	1
3	533162601	E07067	Tension plate	1
4	533617701	E07069	Fill up ring fan motor	1
5	533868101	976657	Taperlock bush	1
6	533463101	E06954	Fan impeller	1
7	533037101	E03195	Ring fan	1
8	533150701	E06965	Fan hub	1
9	533157101	E07070	Belt guard	1
10	533496301	E07594	BU fan unit	1
11	533455501	E06989	Fan housing	1
12	533078701	E09039	Silencer 2-48DC	1
13	534038901	E09019	Fill up ring fan unit	1
14	534053501	E06118-IE2	Motor 7.5kW IE2	1
15	533880001	E00620	Belt pulley	1
16	533437501	E07561	V-belt	2
17	533719001	E07278	Belt pulley 60Hz	1
	533184901	976656	Belt pulley 50Hz	1
18	533851101	BE0088	M10x35 Bolt	1
19	533565401	E12404	Hinge 40x40 combined studs and holes.	2

Fig. 08



Item	Husqvarna part number	Part number	Description	Qty.
1	533581401	E05058	Knee coupling	1
2	533392201	E00638	Head unloader only (1 set of 2)	1
3	533922001	E00669/COMPRESSOR	PA-hose adapter	1
4.1	534781601	E00579	PTFE hose 10x8mm	
4.2	534056101	E00474	PU hose 10x6.5mm Blue	
5	534922501	E05143	Safety valve	1
6	534784601	E00473	PU hose 6x4mm	
7	533801101	001244	Suction filter complete (incl. filter element)	1
		656384	Filter element only	1
8	533687501	E08179	T-coupling	1
9	533884801	E00674	Adaptor for hose connection	2
10	533730501	B21750	Non return valve for delivery hose	1
11	533662601	E00306/NUT	Nut for compressor	1
	533029901	E00498	Compressor oil	0.5L



BLASTRAC EUROPE

WE'RE READY TO ASSIST YOU!

BLASTRAC THE NETHERLANDS

EUROPEAN HEAD OFFICE

Utrechthaven 12
 NL - 3433 PN Nieuwegein
 Tel.: +31 (0)30 601 88 66
 Fax: +31 (0)30 601 83 33
 Email: info@blastrac.nl
WWW.BLASTRAC.EU

BLASTRAC POLAND

SALES & SERVICE CENTRE

Golina, ul. Dworcowa 47E
 63-200 Jarocin
 Tel.: +48 (0)62 740-41-50
 Fax: +48(0)62 740-41-51
 Email: info@blastrac.pl
WWW.BLASTRAC.PL

BLASTRAC FRANCE

SALES & SERVICE CENTRE

ZI - 29, Av. des Temps Modernes
 F - 86360 Chasseneuil du Poitou
 Tel.: +33 (0)5 49 00 49 20
 Fax: +33 (0)5 49 00 49 21
 Email: info@blastrac.fr
WWW.BLASTRAC.FR

BLASTRAC ITALY

SALES & SERVICE CENTRE

S.S. 10 Padana Inferiore, 41
 IT - 29012 Caorso (PC)
 Tel.: +39 0523 814241
 Fax: +39 0523 814245
 Email: info@blastrac.it
WWW.BLASTRAC.IT

BLASTRAC GERMANY

SALES & SERVICE CENTRE

Richard-Byrd-Str. 15
 50829 Köln
 Tel.: +49 (0) 221 709032-0
 Fax: +49 (0) 221 709032-22
 Email: info@blastrac.de
WWW.BLASTRAC.DE

BLASTRAC UKRAINE

SALES & SERVICE CENTRE

Nezalezhnosti 14, of. 21
 07400 Brovary
 Tel.: +38 (0)44 222 51 28
 Fax: +38 (0)44 277 98 29
 Email: info@blastrac.com.ua
WWW.BLASTRAC.COM.UA

BLASTRAC SPAIN

SALES & SERVICE CENTRE

Calle del Estío, 9
 E - 28500
 Arganda del Rey, Madrid
 Tel.: +34 91 660 10 65
 Fax: +34 91 672 72 11
 Email: info@blastrac.es
WWW.BLASTRAC.ES

BLASTRAC UNITED KINGDOM

SALES & SERVICE CENTRE

Unit 2a, Outgang Lane, Dinnington
 Sheffield, South Yorkshire
 GB - S25 3QU
 Tel.: +44 (0) 1909 / 569 118
 Fax: + 44 (0) 1909 / 567 570
 Email: info@blastrac.co.uk
WWW.BLASTRAC.CO.UK

BLASTRAC MIDDLE EAST

SALES & SERVICE CENTRE

P.O. box 29424
 Dubai / United Arab Emirates
 Tel.: +971 4 3245760
 Fax: +971 4 3245761
 Email: info@blastracdx.ae
WWW.BLASTRAC.AE

BLASTRAC NORDIC

SALES & SERVICE CENTRE

Lekstorps Industriväg 13D,
 443 41, Gråbo
 Sweden
 Tel.: +46 (0) 31 30 333 55
 Email: info@blastrac.se
WWW.BLASTRAC.SE

BLASTRAC INDIA

SALES & SERVICE CENTRE

G.B. Warehousing, GAT NO- 523,
 Pune- Nagar Road, Wagholi
 Pune- 412 207
 Tel.: +91 99213 98109
 Email: info.blastrac.in
WWW.BLASTRAC.IN