

# LP 6500

---

## Spare parts list

### Duplex roller

	Valid from serial number
LP 6500 Electric start	16506001
LP 6500 Manual start	16506001
LP 6500 Electric start	BGF000001
LP 6500 Manual start	BGF000001

Engine: Hatz 1D50S



# General information

This spare parts list applies to the following:

Part number	Description
3382 0000 00	Duplex roller LP 6500 Electric start
3382 0000 01	Duplex roller LP 6500 Manual start

Use only authorized parts. Any damage or malfunction caused by the use of unauthorized parts is not covered by Warranty or Product Liability. Any unauthorized use or copying of the contents or any part thereof is prohibited. This applies in particular to trademarks, model denominations, part numbers, and drawings.

## Instructions for use

This spare parts list contains no safety regulations and is merely intended to assist in the ordering of spare parts.

For information about operating, servicing, or repairing, the relevant Safety and operating instructions must be consulted at all costs.

Please observe the safety instructions listed in the relevant Safety and operating instructions!

Kits and consumables .....	1
<b>Preventative Maintenance Kits</b>	
Start Up Kit .....	3
Six months / Every 250 hours kit .....	5
12 months / 500 hours service kit .....	7
<b>Service, repair and wear part kits</b>	
Seal kit, hydraulic propulsion pump .....	9
Seal kit, drum motor .....	11
Shim kit, drum motor .....	13
Safety crank handle kit .....	15
<b>Refurbishment kits</b>	
3382100742 GoldKit LP 6500 .....	17
3382100864 SilverKit LP 6500 .....	20
3382100740 CosmeticKit LP 6500 .....	23
<b>Spare parts list</b>	
Lower frame, protective frame and engine plate .....	25
Scrapers .....	27
Sprinkler system .....	29
Drum .....	32
Eccentric element .....	35
Engine installation .....	37
Engine, Hatz 1D50S manual started .....	39
Engine, Hatz 1D50S electric started .....	45
Fuel tank Hatz 1D50 .....	51
Centrifugal clutch .....	53
Hydraulic system, drum motors and propulsion motor .....	55
Hydraulic system, vibration motor and pump .....	58
Drum motor .....	62
Hydraulic pump, propulsion .....	66
Electrical equipment .....	70
Handle .....	74
Throttle control .....	78
Handbrake .....	81
Labels .....	83

Kits and consumables

Item	Part No.	Name	Qty	L
1				
2				
3				
4				
5				
6	3382100009	One year service kit	1	
7	4700945766	Service kit	1	
8	3382100010	Push stop service kit	1	
9	4700939121	Seal kit, drum motor	1	
10	4700939185	Seal kit	1	
11	4700939378	Shim kit, drum motor	1	

Refer to the Parts Online web page for most up-to-date information. The printed information might be outdated.

**Preventative Maintenance Kits** Start Up Kit

NO EXPLODED VIEW  
AVAILABLE  
FOR THIS BOM

Item	Part No.	Name	Qty	L
1	3382100614	Start Up Kit	1	
2	3382100661	12 months / 500 hours service kit	1	
3	3382015748	Oil filter	1	
4	3382015753	Product label	1	
5	3382015750	Air Filter element	1	
6	4700385517	Hydraulic oil filter	1	
7	3382100572	Every 250 hours / six months kit	1	
8	3382015748	Oil filter	1	
9	3382015753	Product label	1	
10	3382015750	Air Filter element	1	
11	3382015748	Oil filter	1	
12	9234001203		2	

**Preventative Maintenance Kits** Six months / Every 250 hours kit

NO EXPLODED VIEW  
AVAILABLE  
FOR THIS BOM



Item	Part No.	Name	Qty	L
1	3382100572	Every 250 hours / six months kit	1	
2	3382015748	Oil filter	1	
3	3382015753	Product label	1	
4	3382015750	Air Filter element	1	

---

Refer to the Parts Online web page for most up-to-date information. The printed information might be outdated.

**Preventative Maintenance Kits** 12 months / 500 hours service kit

NO EXPLODED VIEW  
AVAILABLE  
FOR THIS BOM

Item	Part No.	Name	Qty	L
1	3382100661	12 months / 500 hours service kit	1	
2	3382015748	Oil filter	1	
3	3382015753	Product label	1	
4	3382015750	Air Filter element	1	
5	4700385517	Hydraulic oil filter	1	

---

Refer to the Parts Online web page for most up-to-date information. The printed information might be outdated.

**Service, repair and wear part kits** Seal kit, hydraulic propulison pump

NO EXPLODED VIEW  
AVAILABLE  
FOR THIS BOM

Item	Part No.	Name	Qty	L
1	4700939185	Seal kit	1	

**Service, repair and wear part kits** Seal kit, drum motor

NO EXPLODED VIEW  
AVAILABLE  
FOR THIS BOM

Item	Part No.	Name	Qty	L
1	4700939121	Seal kit, drum motor	1	

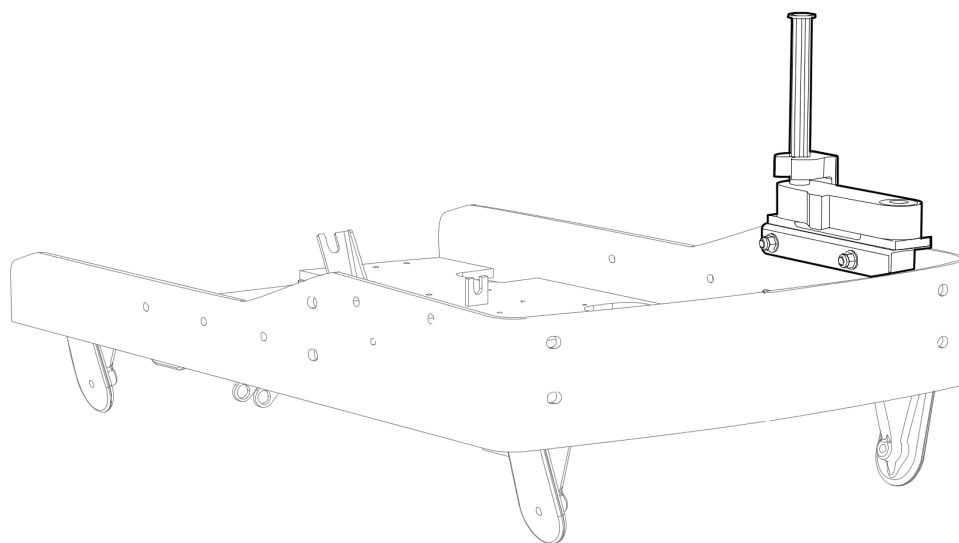
**Service, repair and wear part kits** Shim kit, drum motor

NO EXPLODED VIEW  
AVAILABLE  
FOR THIS BOM



Item	Part No.	Name	Qty	L
1	4700939378	Shim kit, drum motor	1	

**Service, repair and wear part kits** Safety crank handle kit



Item	Part No.	Name	Qty	L
1	4700377849	Safety crank handle kit	1	
Not Shown	-	Holder	1	A
Not Shown	-	Safety crank handle	1	B
Not Shown	-	Washer, 0.5 x 22 x 2 mm, 0.41 x 0.87 x 0.08 in. 300 HV	4	
Not Shown	-	Screw, M10 x 85 mm 8.8 A3K	2	
Not Shown	-	Nut, M10	2	
Not Shown	-	Spacer	2	C

Comments for Page: Safety crank handle kit

(L)OCAL REMARKS

A | See section "Engine installation".

B | See section "Engine installation".

C | See section "Engine installation".

## Refurbishment kits 3382100742 GoldKit LP 6500

1	3382100742	Gold Kit LP 6500	
<b>Ground Plate -Eccentric-Handling System LP 6500</b>			
2	Eccentric System	Hydraulic pipe	1
3		Shock absorber	4
4		Washer	4
5		Bolt	4
6		Bushing	2
7		Screw	2
8		Shock absorber	1
9		Bolt	1
10		Push button	1
11		Bellow	1
12		Spring	1
13		Trigger shaft	1
14		Spring Pin	1
15		Shock absorber	2
16		Washer	3
17		Screw	4
18		Bolt	2
19		CLUTCH CPL	1
20		Ball bearing	4
21		O-ring	1
22		Pipe clamp	2
23		Oil Seal	2
24		Lock ring	2
25		O-ring	2
<b>Cosmetic Kit LP 6500 3382100740</b>			
26	Covers	Frame	1
27		Cover	1
28		Washer	5
29		Water Tank	1
30		Cover	1
31	Handle	Throttle control, cpl	1
32		Nut	8
33		Screw	4
34		Washer	4
35		Filler Cap	1
36		Vibration control, cpl	1
37		Direction control, cpl	1
38		Bolt	5
39		Bolt	8
40		Washer	16
41	Label Kit	Product Label Kit	1
<b>Engine</b>			
42	Hatz Engine	One year Service Kit	1

Refer to the Parts Online web page for most up-to-date information. The printed information might be outdated.

Item	Part No.	Name	Qty	L
1	3382100742	Gold Kit LP 6500	1	
-	--	Ground Plate -Eccentric-Handling System LP 6500	1	
2	-	Hydraulic pipe	1	
3	-	Shock absorber	4	
4	-	Washer	4	
5	-	Bolt	4	
6	-	Bushing	2	
7	-	Screw	2	
8	-	Shock absorber	1	
9	-	Bolt	1	
10	-	Push button	1	
11	-	Bellow	1	
12	-	Spring	1	
13	-	Trigger shaft	1	
14	-	Spring pin	1	
15	-	Shock absorber	2	
16	-	Washer	3	
17	-	Screw	4	
18	-	Bolt	2	
19	-	Clutch cpl	1	
20	-	Ball bearing	4	
21	-	O-ring	1	
22	-	Pipe clamp	2	
23	-	Oil Seal	2	
24	-	Lock ring	2	
25	-	O-ring	2	
-	--	null	1	
26	-	Frame	1	
27	-	Cover	1	
28	-	Washer	5	
29	-	Water Tank	1	
30	-	Cover	1	
31	-	Throttle control, cpl	1	
32	-	Nut	8	
33	-	Screw	4	

Refer to the Parts Online web page for most up-to-date information. The printed information might be outdated.

Item	Part No.	Name	Qty	L
34	-	Washer	4	
35	-	Filler Cap	1	
36	-	Vibration control, cpl	1	
37	-	Direction control, cpl	1	
38	-	Bolt	5	
39	-	Bolt	8	
40	-	Washer	16	
41	-	Product Label Kit	1	
-	--	1636301551	1	
42	-	One year service kit	1	

This page intentionally left blank

Refurbishment kits 3382100864 SilverKit LP 6500

<b>1</b>	<b>3382100864</b>	<b>Silver Kit LP 6500</b>	
<b>Ground Plate -Eccentric-Handling System LP 6500</b>			
<b>2</b>	Eccentric System	Hydraulic pipe	1
<b>3</b>		Shock absorber	4
<b>4</b>		Washer	4
<b>5</b>		Bolt	4
<b>6</b>		Bushing	2
<b>7</b>		Screw	2
<b>8</b>		Shock absorber	1
<b>9</b>		Bolt	1
<b>10</b>		Push button	1
<b>11</b>		Bellow	1
<b>12</b>		Spring	1
<b>13</b>		Trigger shaft	1
<b>14</b>		Spring Pin	1
<b>15</b>		Shock absorber	2
<b>16</b>		Washer	3
<b>17</b>		Screw	4
<b>18</b>		Bolt	2
<b>19</b>		CLUTCH CPL	1
<b>20</b>		Ball bearing	4
<b>21</b>		O-ring	1
<b>22</b>		Pipe clamp	2
<b>23</b>		Oil Seal	2
<b>24</b>		Lock ring	2
<b>25</b>		O-ring	2
<b>Engine</b>			
<b>26</b>	Hatz Engine	One year Service Kit	1

Refer to the Parts Online web page for most up-to-date information. The printed information might be outdated.



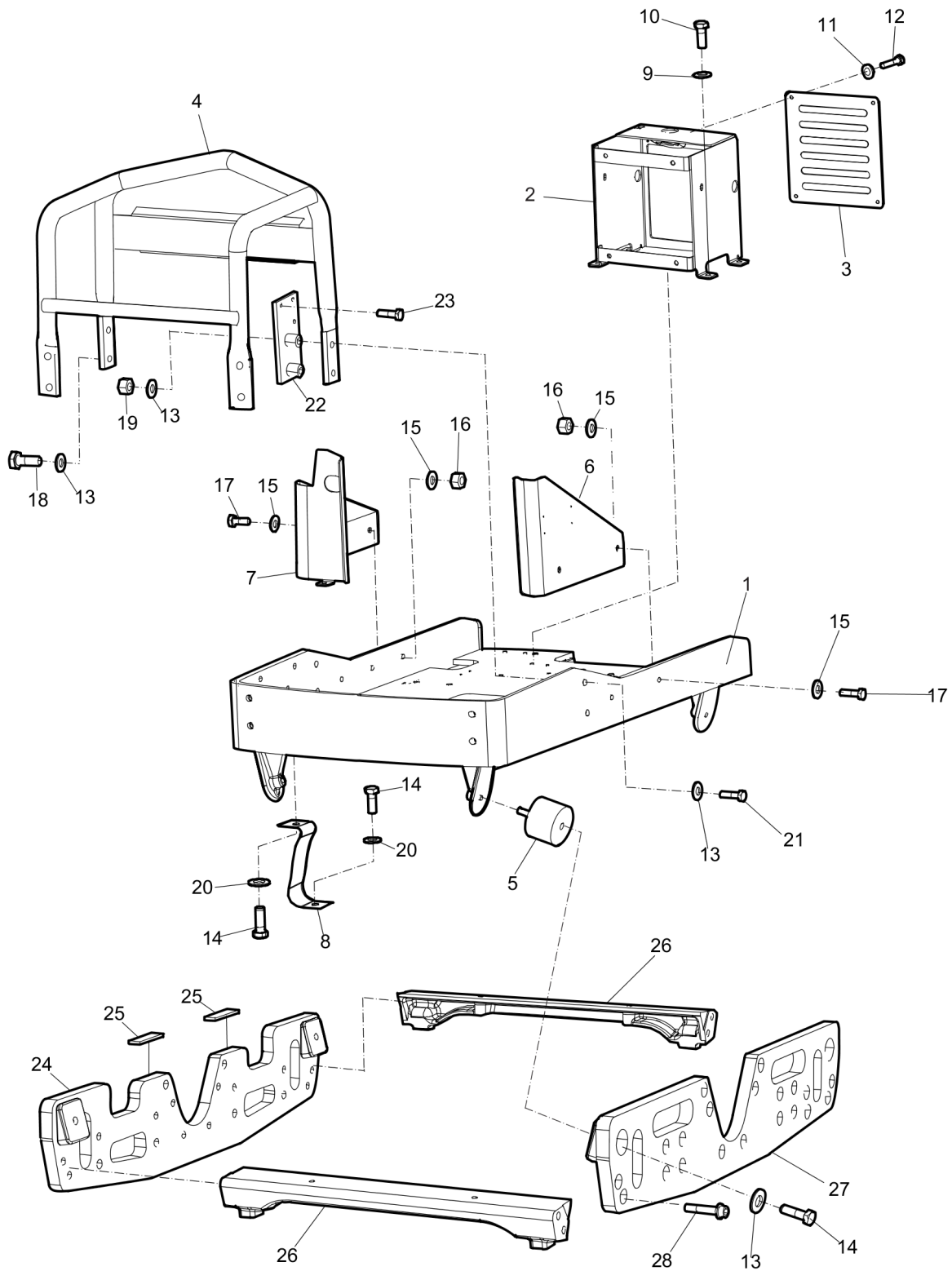
Item	Part No.	Name	Qty	L
1	3382100864	Silver Kit LP 6500	1	
-	--	Ground Plate -Eccentric-Handling System LP 6500	1	
2	-	Hydraulic pipe	1	
3	-	Shock absorber	4	
4	-	Washer	4	
5	-	Bolt	4	
6	-	Bushing	2	
7	-	Screw	2	
8	-	Shock absorber	1	
9	-	Bolt	1	
10	-	Push button	1	
11	-	Bellow	1	
12	-	Spring	1	
13	-	Trigger shaft	1	
14	-	Spring pin	1	
15	-	Shock absorber	2	
16	-	Washer	3	
17	-	Screw	4	
18	-	Bolt	2	
19	-	Clutch cpl	1	
20	-	Ball bearing	4	
21	-	O-ring	1	
22	-	Pipe clamp	2	
23	-	Oil Seal	2	
24	-	Lock ring	2	
25	-	O-ring	2	
-	--	Engine	1	
26	-	One year service kit	1	

**Refurbishment kits 3382100740 CosmeticKit LP 6500**

<b>1</b>	<b>3382100740</b>	<b>Cosmetic Kit LP 6500</b>	
<b>2</b>	<b>Covers</b>	Frame	1
<b>3</b>		Cover	1
<b>4</b>		Washer	5
<b>5</b>		Water Tank	1
<b>6</b>		Cover	1
<b>7</b>		<b>Handle</b>	Throttle control, cpl
<b>8</b>	Nut		8
<b>9</b>	Screw		4
<b>10</b>	Washer		4
<b>11</b>	Filler Cap		1
<b>12</b>	Vibration control, cpl		1
<b>13</b>	Direction control, cpl		1
<b>14</b>	Bolt		5
<b>15</b>	Bolt		8
<b>16</b>	Washer		16
<b>17</b>	<b>Label Kit</b>	<b>Product Label Kit</b>	<b>1</b>

Item	Part No.	Name	Qty	L
1	3382100740	Cosmetic Kit LP 6500	1	
2	-	Frame	1	
3	-	Cover	1	
4	-	Washer	5	
5	-	Water Tank	1	
6	-	Cover	1	
7	-	Throttle control, cpl	1	
8	-	Nut	8	
9	-	Screw	4	
10	-	Washer	4	
11	-	Filler Cap	1	
12	-	Vibration control, cpl	1	
13	-	Direction control, cpl	1	
14	-	Bolt	5	
15	-	Bolt	8	
16	-	Washer	16	
17	-	Product Label Kit	1	

**Spare parts list** Lower frame, protective frame and engine plate



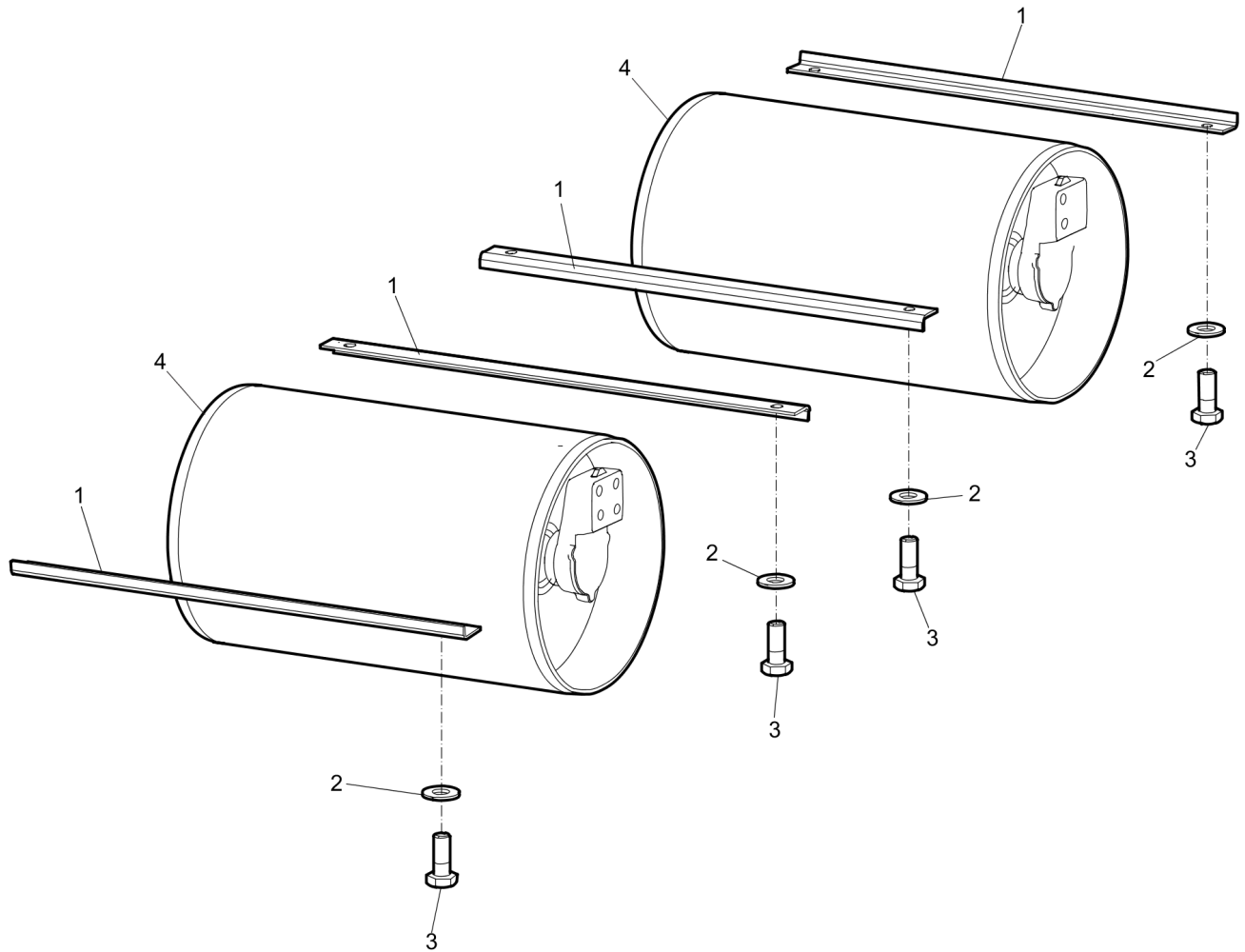
Refer to the Parts Online web page for most up-to-date information. The printed information might be outdated.

Item	Part No.	Name	Qty	L
1	3382010009	Engine plate	1	
2	4700389654	Bracket	1	
3	4700386242	Cover	1	
4	3382010010	Protective frame	1	
5	4700928941	Shock absorber	4	
6	3382010011	Cover	1	
7	3382010012	Cover	1	
8	3382010021	Strap	4	
9	-	Washer, 12 x 22 x 2 mm, 0.47 x 0.87 x 0.08 in. 300 HV	4	
10	-	Screw, M10 x 16 mm 8.8	4	
11	-	Washer, 6 x 18 x 2 mm, 0.24 x 0.71 x 0.08 in. 300 HV	4	
12	-	Screw, M6 x 16 mm	4	
13	4700904231	Washer, 13x24x2 mm 300 HV	20	
14	-	Screw, M12 x 20 mm 8.8	10	
15	-	Washer, 8.4 x 16 x 1.5 mm, 0.33 x 0.63 x 0.06 in. 300 HV	10	
16	-	Nut, M8 x 1.25 mm	4	
17	-	Screw, M8 x 20 mm 8.8	6	
18	-	Scew, M12 x 45 mm 8.8	6	
19	-	Nut, M12	8	
20	-	Washer, 13 x 36 x 6 mm, 0.51 x 1.42 x 0.24 in. 300 HV	8	
21	-	Screw, M12 x 80 mm 8.8	2	
22	4700397344	Bracket	1	
23		Screw, M6 x 20 mm 8.8	3	
24	3382010017	Side plate	1	
25	4700386496	Rubber cloth	2	
26	3382010018	Beam	2	
27	3382010016	Side plate	1	
28	4700791360	Screw M12 x 60mm	8	

Comments for Page: Lower frame, protective frame and engine plate

DACROMET® is a registered trademark of Nof Metal Coatings North America Inc.

Spare parts list Scrapers



Refer to the Parts Online web page for most up-to-date information. The printed information might be outdated.

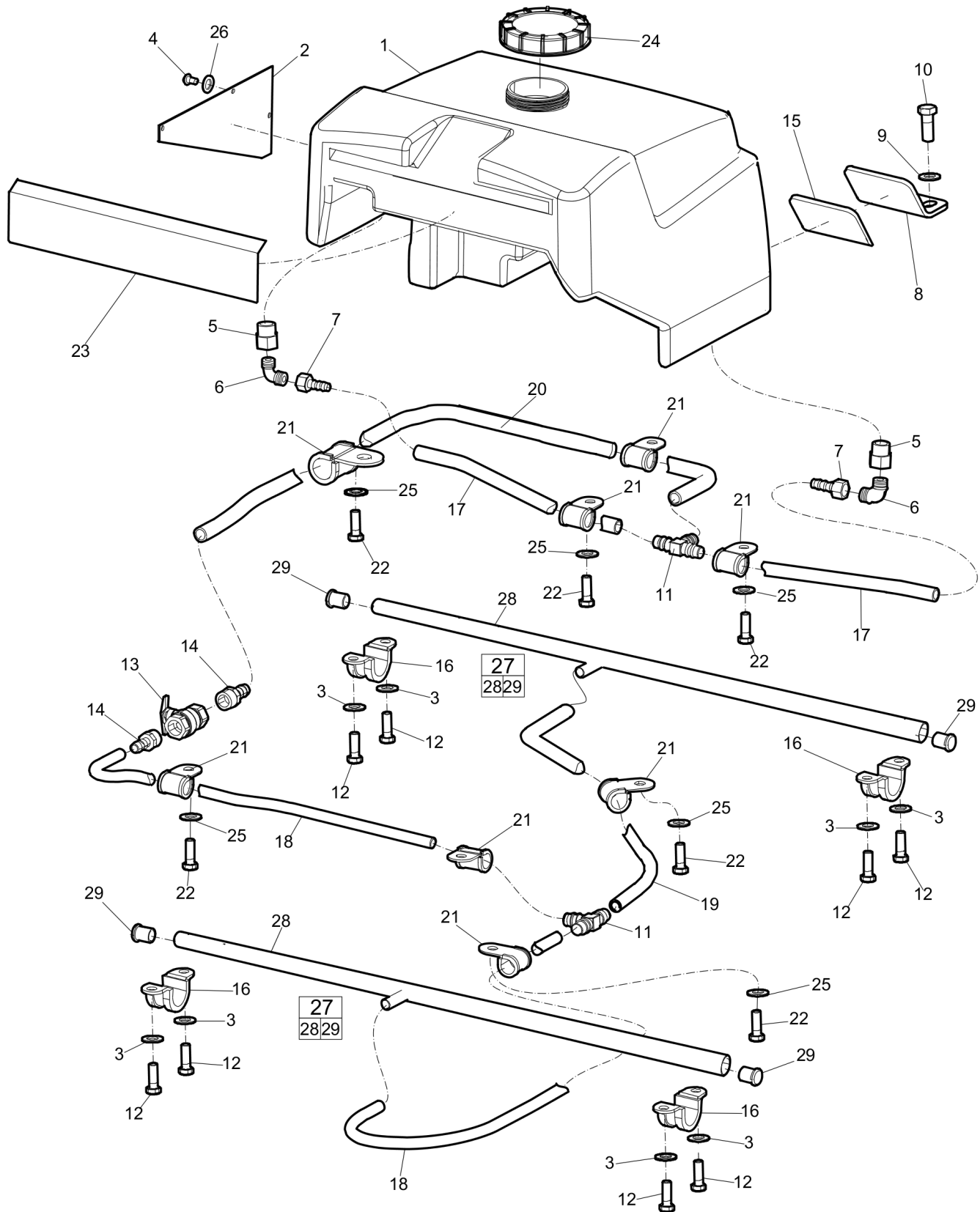
Item	Part No.	Name	Qty	L
1	4700385642	Scraper	4	
2	-	Washer, 10.5 x 28 x 6 mm, 0.41 x 1.10 x 0.24 in. 300 HV	8	
3	-	Screw, M10 x 25 mm 8.8 A3K	8	
4	-	Drum, see section "Drum".	2	A

Comments for Page: Scrapers

(L)OCAL REMARKS

A | See section "Drum"

Spare parts list Sprinkler system



Refer to the Parts Online web page for most up-to-date information. The printed information might be outdated.



Item	Part No.	Name	Qty	L
1	3382010013	Water tank	1	
2	4700387258	Cover	1	
3	-	Washer, 5.3 x 10 x 1 mm, 0.21 x 0.39 x 0.04 in. 300 HV	8	
4	-	Screw, M6 x 10 mm	3	
5	4700791367	Connector	2	
6	4700791368	Connector	2	
7	4700791369	Hose connector	2	
8	4700388441	Bracket	2	
9	-	Washer, 10.5 x 22 x 2 mm, 0.41 x 0.87 x 0.08 in. 300 HV	4	
10	-	Screw, M10 x 22 mm	4	
11	4700791362	T-adapter	2	
12	-	Screw, M6 x 16 mm	8	
13	4700791370	Ball valve	1	
14	4700791650	Hose connection	2	
15	4700385884	Rubber cloth	2	
16	4700791315	Pipe clamp	4	
17	4700244008	Hose	2	
18	4700244008	Hose	2	
19	4700244008	Hose	1	
20	4700244008	Hose	1	
21	4700921072	Clamp	8	
22	-	Screw, M8 x 16 mm	8	
23	4700385884	Rubber cloth	1	
24	4700920819	Filler cap	1	
25	-	Washer, 8.4 x 16 x 1.5 mm, 0.33 x 0.63 x 0.06 in. 300 HV	8	
26	-	Washer, 6 x 18 x 2 mm, 0.24 x 0.71 x 0.08 in. 300 HV	3	
27	4700396829	Sprinkler pipe, cpl	1	A
28	--	Pipe	1	
29	4700791429	Plug	2	

Comments for Page: Sprinkler system

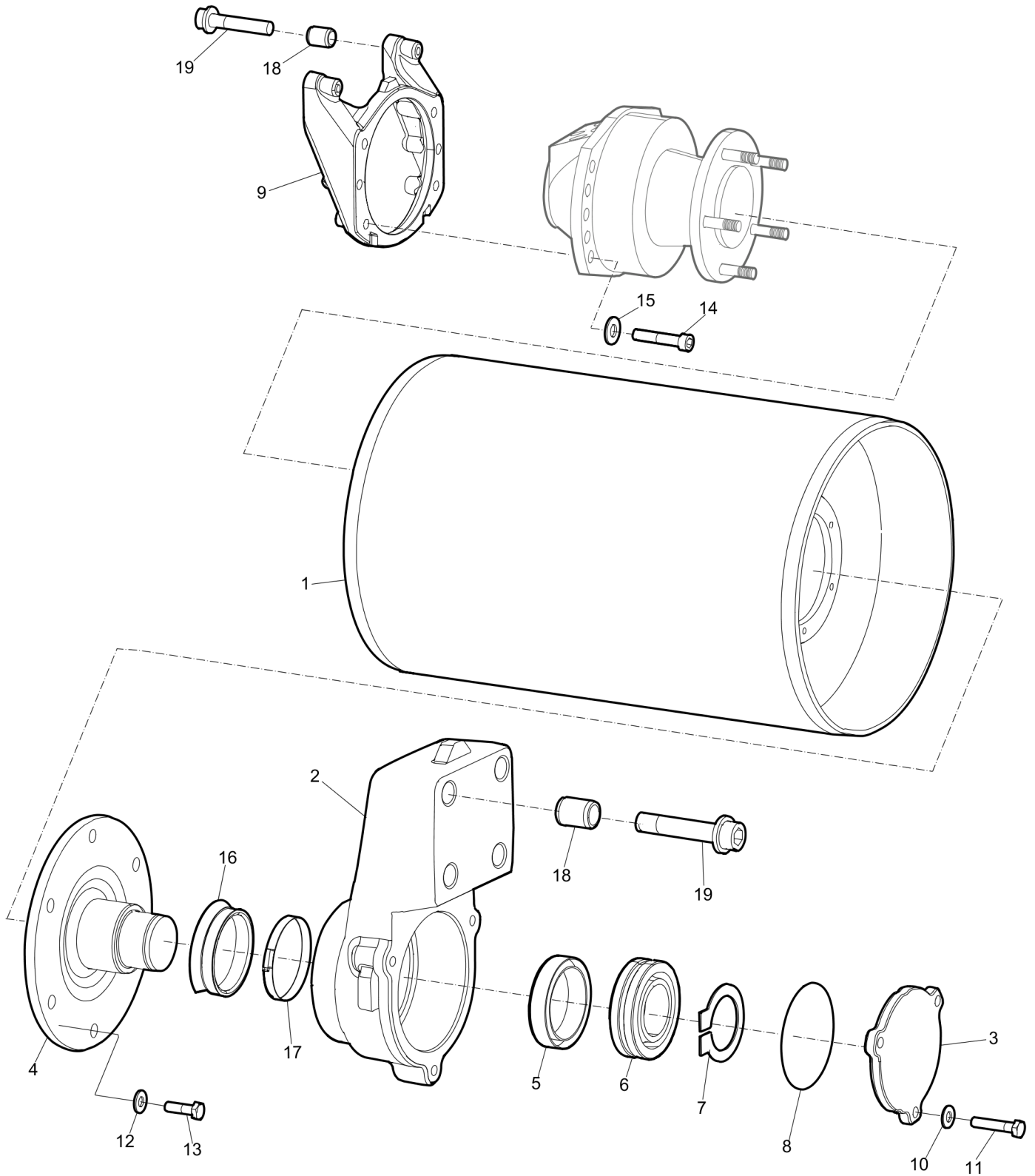
(L)OCAL REMARKS

A | There are two sprinkler pipe, complete on the machine



This page intentionally left blank

Spare parts list Drum



Refer to the Parts Online web page for most up-to-date information. The printed information might be outdated.

Item	Part No.	Name	Qty	L
1	3382010020	Drum	1	
2	4700382504	Bearing bracket	1	
3	4700382304	Bearing cover	1	
4	4700384470	Drum shaft	1	
5	4700791246	Oil seal	1	
6	4700791240	Ball bearing	1	
7	4700150017	Retaining ring	1	
8	4700160032	O-ring	1	
9	4700384423	Drum bracket	1	
10	-	Washer, 8.4 x 16 x 1.5 mm, 0.33 x 0.63 x 0.06 in. 300 HV	3	
11	-	Screw, M8 x 20 mm 8.8	3	
12	-	Washer, 10.5 x 22 x 2 mm, 0.41 x 0.87 x 0.08 in. 300 HV	6	
13	-	Screw, M10 x 25 mm 8.8	6	
14	4700903563	Screw M12 x 55 mm 12.9 GEOMET®	6	A
15	4700904231	Washer, 13x24x2 mm 300 HV	6	
16	4700386604	Oil seal	1	
17	4700313033	Hose clamp	1	
18	4700384902	Sleeve	4	
19	4700791360	Screw M12 x 60mm	8	B

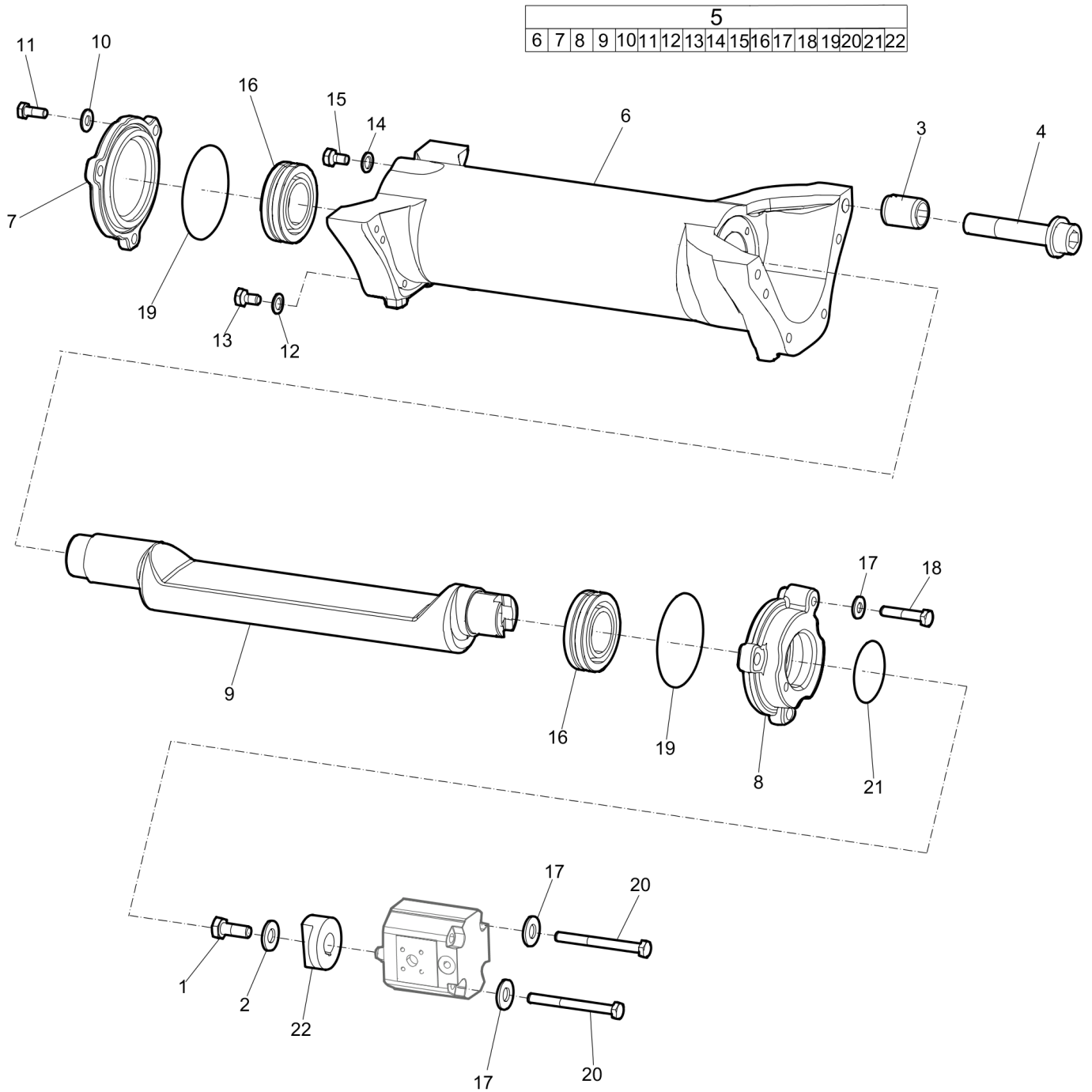
Comments for Page: Drum

(L)OCAL REMARKS

A |GEOMET is a registered trademark of Nof Metal Coatings North America Inc.

B || DACROMET is a registered trademark of Nof Metal Coatings North America Inc.

Spare parts list Eccentric element



Refer to the Parts Online web page for most up-to-date information. The printed information might be outdated.

Item	Part No.	Name	Qty	L
1	-	Nut	1	A
2	-	Washer	1	B
3	4700384902	Sleeve	4	
4	4700791360	Screw M12 x 60mm	12	A
5	4700382295	Eccentric element, complete	1	
6	4700382296	Eccentric housing	1	
7	4700382304	Bearing cover	1	
8	4700382520	Bearing cover	1	
9	4700382329	Eccentric shaft	1	
10	--	Washer, 8.4 x 16 x 1.5 mm, 0.33 x 0.63 x 0.06 in. 300 HV	3	
11	4700500053	Screw, M8x20 mm 8.8 A2K	3	
12	4700162010	Seal ring	1	
13	4700232246	Plug	1	
14	--	Washer, 16.7 x 24 x 1.5 mm, 0.66 x 0.94 x 0.06 in. TYPE A, M16	1	
15	4700232143	Plug, M16	1	
16	4700791240	Ball bearing	2	
17	--	Washer, 10.5 x 22 x 2 mm, 0.41 x 0.87 x 0.08 in. 300 HV	5	
18	--	Screw, M10 x 30 mm 8.8	3	
19	4700160032	O-ring	2	
20	--	Screw, M10 x 100 mm 8.8	2	
21	4700160328	O-ring	1	
22	4700382521	Coupling	1	

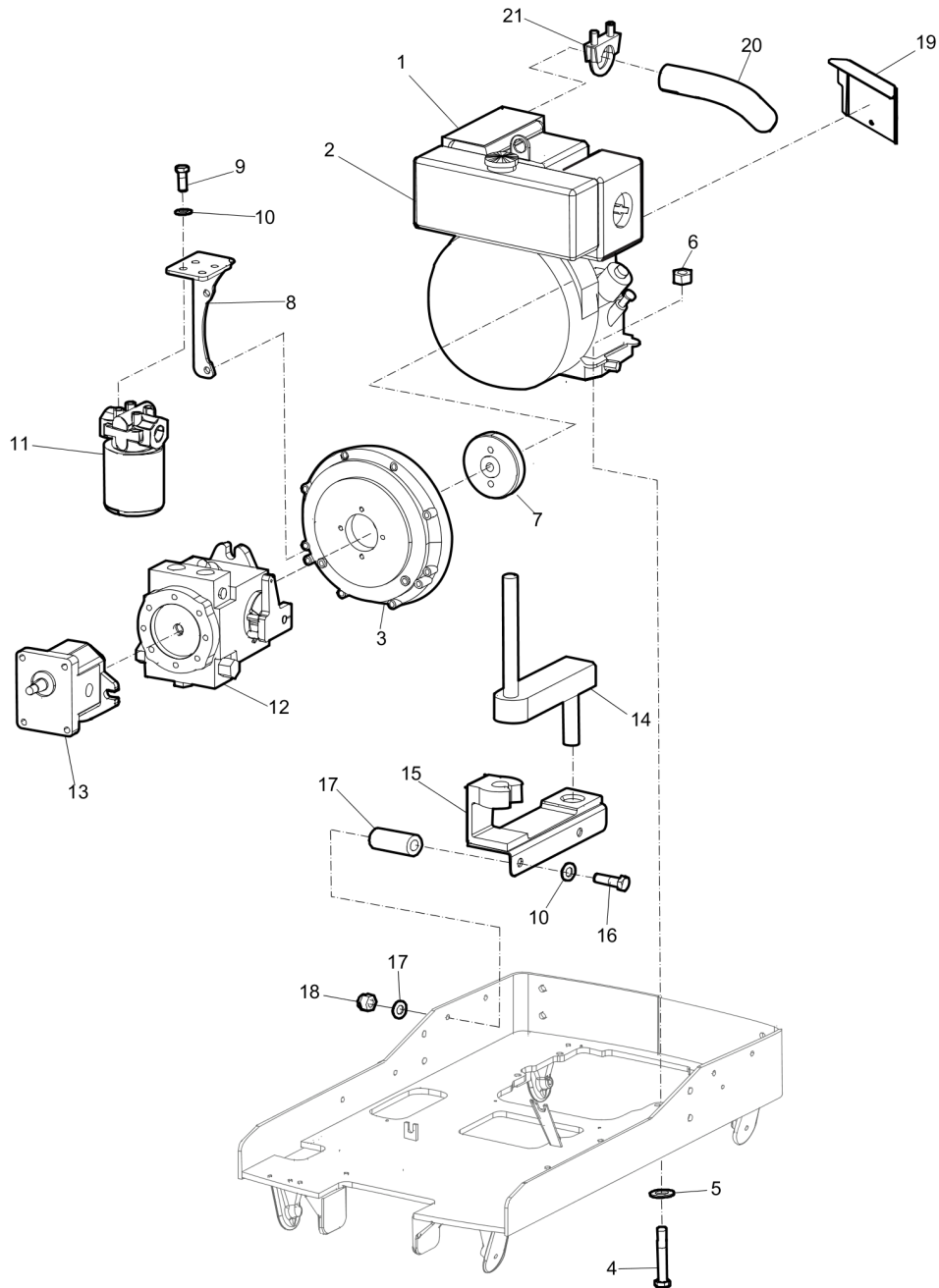
Comments for Page: Eccentric element

DACROMET is a registered trademark of Nof Metal Coatings North America Inc.

(L)OCAL REMARKS

A || DACROMET is a registered trademark of Nof Metal Coatings North America Inc.

Spare parts list Engine installation



Refer to the Parts Online web page for most up-to-date information. The printed information might be outdated.



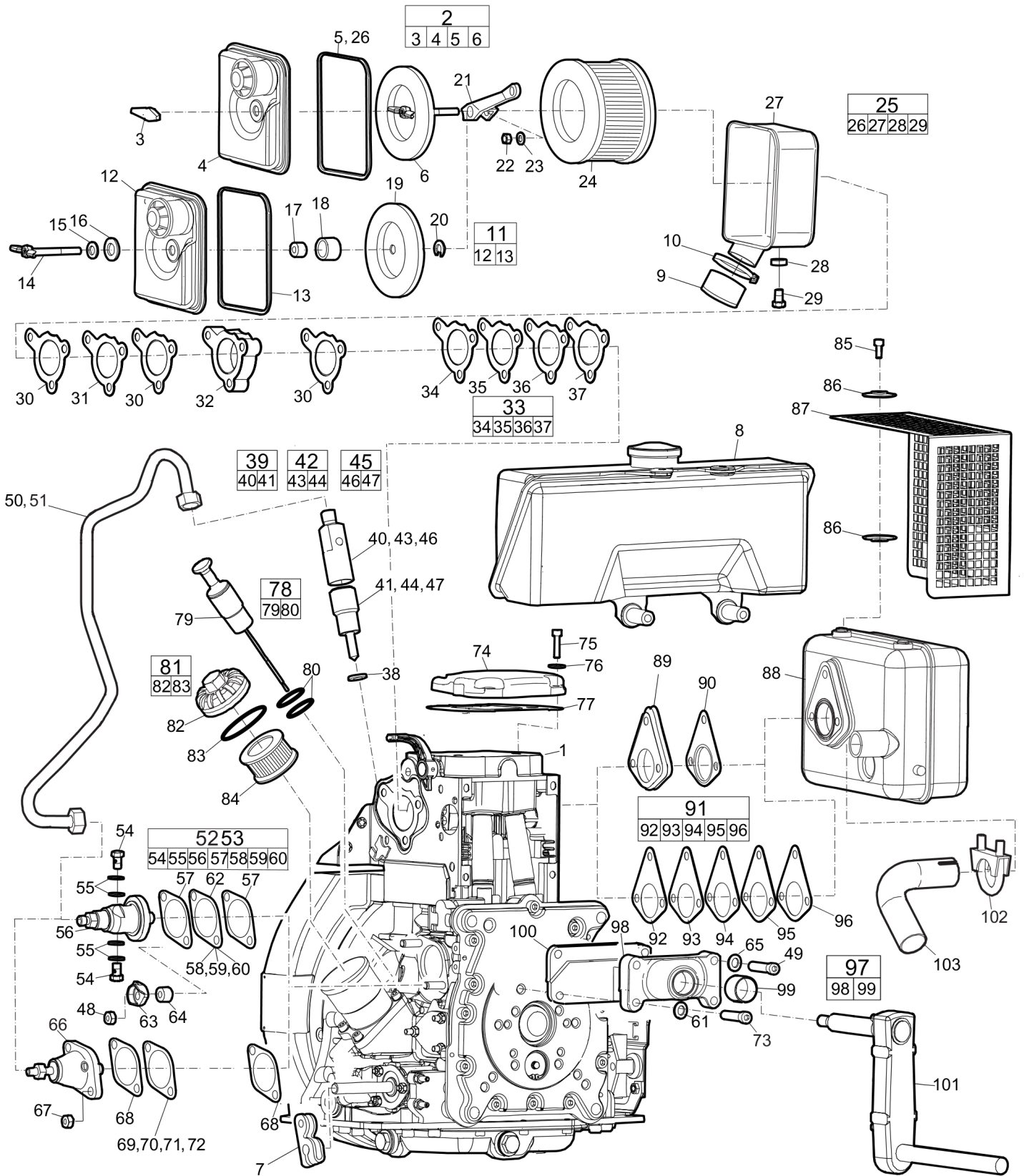
Item	Part No.	Name	Qty	L
1	4700379097	Engine, cpl Hatz 1D50, Manual started	1	
2	4700397215	Engine, cpl Hatz 1D50, Electrical started	1	
3	4700239923	Adapter	1	A
4	-	Screw, M12 x 35 mm 8.8	4	
5	-	Washer, 13 x 24 x 2 mm, 0.51 x 0.98 x 0.08 in. 300 HV	4	
6	-	Nut, M12	4	
7	4700386185	Clutch, complete	1	
8	4700385518	Bracket	1	
9	-	Screw, M10 x 22 mm 8.8	4	
10	-	Washer, 10.5 x 22 x 2 mm, 0.41 x 0.87 x 0.08 in. 300 HV	10	
11	4700385514	Hydraulic oil filter, cpl	1	
12	4700387936	Hydraulic pump, Cpl	1	
13	4700384939	Hydraulic pump	1	
14	4700239439	Crank handle, cpl	1	
15	4700386320	Crank holder	1	
16	-	Screw, M10 x 85 mm 8.8	2	
17	4700377827	Spacer	2	
18	-	Nut, M10	2	
19	3382014546	Protective plate	1	
20	4700393152	Exhaust pipe	1	
21	4700792120	Pipe clamp	1	

Comments for Page: Engine installation

(L)OCAL REMARKS

A | Supplied with engine

Spare parts list Engine, Hatz 1D50S manual started



Refer to the Parts Online web page for most up-to-date information. The printed information might be outdated.

Item	Part No.	Name	Qty	L
1	4700379097	Engine, cpl Hatz 1D50, Manual started	1	A
2	3382100263	Air filter cover, complete	1	B
3	4700937017	Nut	1	
4	--	Cover	1	
5	4700239526	Gasket	1	
6	3382100254	Holder	1	
7	4700239508	Throttle lever	1	
8	-	Fuel tank	1	C
9	4700239885	Cover	1	
10	4700239888	Hose clamp	1	
11	3382100255	Air filter cover, complete	1	D
12	--	Cover	1	
12	--	Cover	1	
12	--	Cover	1	
12	--	Cover	1	
13	4700239526	Gasket	1	
14	4700239531	Screw	1	
15	4700239529	Washer	1	
16	4700239530	Washer	1	
17	4700239525	Gasket	1	
18	4700239524	Bushing	1	
19	4700239560	Cover	1	
20	4700239522	Washer	1	
21	4700239559	Bracket	1	
22	-	Nut, M8	2	
23	-	Washer, M8	2	
24	3382015750	Air Filter element	1	
25	4700936908	Housing	1	
26	4700239526	Gasket	1	
27	--	Housing	1	
28	4700936907	Washer	1	
29	4700239564	Screw	1	
30	4700937439	Gasket	3	
31	4700937440	Gasket	1	
32	4700937443	Gasket	1	

Refer to the Parts Online web page for most up-to-date information. The printed information might be outdated.

Item	Part No.	Name	Qty	L
33	4700937442	Gasket kit	1	
34	--	Gasket	1	
35	--	Gasket	1	
35	--	Gasket	1	
35	--	Gasket	1	
35	--	Gasket	1	
36	--	Gasket	1	
36	--	Gasket	1	
37	--	Gasket	1	
36	--	Gasket	1	
37	--	Gasket	1	
37	--	Gasket	1	
38	4700939830	Gasket	1	
39	3382100257	Injector, complete	1	E
40	--	Injector part	1	
43	--	Injector part	1	
41	3382100258	Nozzle	1	
42	4700945927	Injector, complete	1	F
43	--	Injector part	1	
46	--	Injector part	1	
43	--	Injector part	1	
44	3382100256	Nozzle	1	
45	4700939149	Injector, complete	1	G
46	--	Injector part	1	
46	--	Injector part	1	
47	4700939152	Nozzle	1	
48	-	Nut, M8	2	
49	-	Screw, M10 x 35 mm	2	
50	3382100259	Fuel pipe	1	H
51	4700945765	Fuel pipe	1	I
52	4700945703	Injection pump, complete	1	J
53	3382100260	Injection pump, complete	1	K
54	3382100241	Banjo screw	2	
55	3382100242	Gasket	4	
56	--	Pump part	1	

Refer to the Parts Online web page for most up-to-date information. The printed information might be outdated.

Item	Part No.	Name	Qty	L
57	4700939616	Shim, 0.10 mm, 0.004 in.	2	
58	4700939778	Shim, 0.6 mm, 0.024 in.	1	
59	4700939777	Shim, 0.9 mm, 0.035 in.	1	
60	4700939776	Shim, 1.2 mm, 0.047 in.	1	
61	-	Washer, M8	2	
62	4700939779	Shim, 0.3 mm, 0.012 in.	1	
63	4700950257	Holder	2	
64	4700950263	Spacer	2	
65	-	Washer, M10	2	
66	4700939630	Injection pump, complete	1	L
67	-	Nut, M8	2	
68	4700939616	Shim, 0.10 mm, 0.004 in.	2	
69	4700939779	Shim, 0.3 mm, 0.012 in.	1	
70	4700939778	Shim, 0.6 mm, 0.024 in.	1	
71	4700939777	Shim, 0.9 mm, 0.035 in.	1	
72	4700939776	Shim, 1.2 mm, 0.047 in.	1	
73	-	Screw, M8 x 35 mm	2	
74	4700939606	Valve cover	1	
75	-	Screw, M6 x 25 mm	4	
76	-	Washer, M6	4	
77	4700239333	Valve cover gasket	1	
82	--	Cover	1	
78	4700239336	Oil dipstick, cpl	1	
79	--	Dipstick	1	
80	3382100236	O-ring	2	
81	4700935608	Oil filter cover, cpl	1	
82	--	Cover	1	
82	--	Cover	1	
83	4700239335	O-ring	1	
84	3382015748	Oil filter	1	
85	-	Screw, M6 x 12 mm	5	
86	-	Washer, M6	5	
92	--	Gasket	1	
87	4700939157	Cover	1	
93	--	Gasket	1	

Refer to the Parts Online web page for most up-to-date information. The printed information might be outdated.

Item	Part No.	Name	Qty	L
88	3382100264	Silencer	1	
94	--	Gasket	1	
89	3382100265	Gasket	1	
95	--	Gasket	1	
90	3382100266	Gasket	1	
96	--	Gasket	1	
91	3382100267	Gasket, complete	1	
92	--	Gasket	1	
92	--	Gasket	1	
93	--	Gasket	1	
93	--	Gasket	1	
94	--	Gasket	1	
94	--	Gasket	1	
95	--	Gasket	1	
95	--	Gasket	1	
96	--	Gasket	1	
96	--	Gasket	1	
97	4700239386	Support bearing	1	
98	--	Holder	1	
99	3382100246	Bushing	1	
100	4700935753	Gasket	1	
101	4700239439	Crank handle, cpl	1	
102	4700792120	Pipe clamp	1	
103	4700393152	Exhaust pipe	1	

Comments for Page: Engine, Hatz 1D50S manual started

(L)OCAL REMARKS

A | Hatz 1D50, manual started.

Consist of item 2 to 101.

B | New version

C | See section "Fuel tank".

D | Old version

E | Valid from engine serial number

109.19xxxxxxx

Refer to the Parts Online web page for most up-to-date information. The printed information might be outdated.

F | Valid from engine serial number

109.16xxxxxxx to 109.19xxxxxxx.

G | Valid from engine serial number

109.11xxxxxxx to 109.15xxxxxxx.

H | Valid from engine serial number

109.16xxxxxxx

I | Valid up to engine serial number

109.15xxxxxxx

J | Valid from engine serial number

109.16xxxxxxx to 109.19xxxxxxx.

Consist of item 54 to 60.

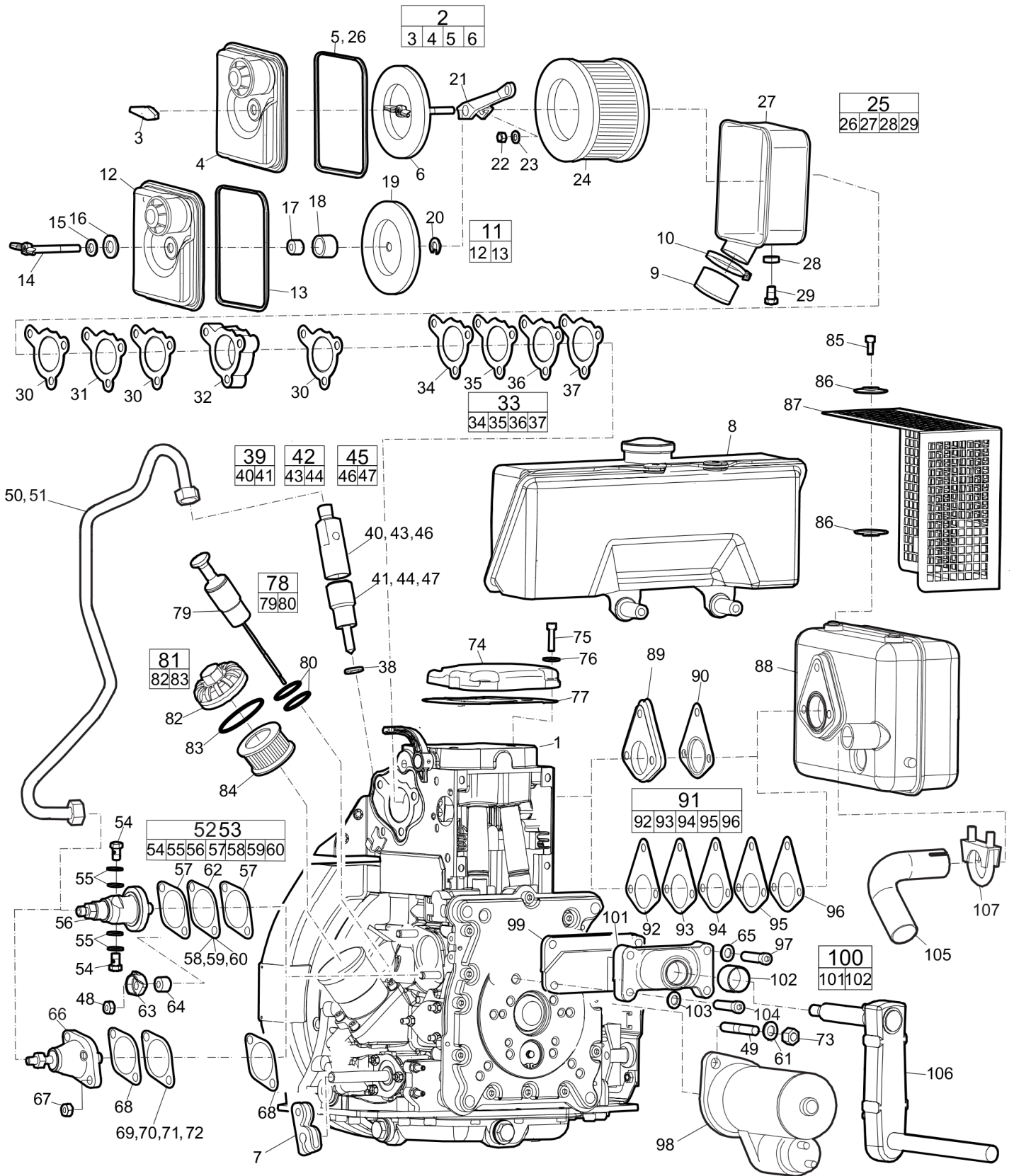
K | Valid from engine serial number

109.20xxxxxxx

L | Valid from engine serial number

109.11xxxxxxx to 109.15xxxxxxx.

Spare parts list Engine, Hatz 1D50S electric started



Refer to the Parts Online web page for most up-to-date information. The printed information might be outdated.



Item	Part No.	Name	Qty	L
1	4700397215	Engine, cpl Hatz 1D50, Electrical started	1	A
2	3382100263	Air filter cover, complete	1	B
3	4700937017	Nut	1	
4	--	Cover	1	
5	4700239526	Gasket	1	
6	3382100254	Holder	1	
7	4700239508	Throttle lever	1	
8	-	Fuel tank	1	C
9	4700239885	Cover	1	
10	4700239888	Hose clamp	1	
11	3382100255	Air filter cover, complete	1	D
12	--	Cover	1	
12	--	Cover	1	
12	--	Cover	1	
12	--	Cover	1	
13	4700239526	Gasket	1	
14	4700239531	Screw	1	
15	4700239529	Washer	1	
16	4700239530	Washer	1	
17	4700239525	Gasket	1	
18	4700239524	Bushing	1	
19	4700239560	Cover	1	
20	4700239522	Washer	1	
21	4700239559	Bracket	1	
22	-	Nut, M8	2	
23	-	Washer, M8	2	
24	3382015750	Air Filter element	1	
25	4700936908	Housing	1	
26	4700239526	Gasket	1	
27	--	Housing	1	
28	4700936907	Washer	1	
29	4700239564	Screw	1	
30	4700937439	Gasket	3	
31	4700937440	Gasket	1	
32	4700937443	Gasket	1	

Refer to the Parts Online web page for most up-to-date information. The printed information might be outdated.

Item	Part No.	Name	Qty	L
33	4700937442	Gasket kit	1	
34	--	Gasket	1	
35	--	Gasket	1	
35	--	Gasket	1	
35	--	Gasket	1	
35	--	Gasket	1	
36	--	Gasket	1	
36	--	Gasket	1	
37	--	Gasket	1	
36	--	Gasket	1	
37	--	Gasket	1	
37	--	Gasket	1	
38	4700939830	Gasket	1	
39	3382100257	Injector, complete	1	E
40	--	Injector part	1	
43	--	Injector part	1	
41	3382100258	Nozzle	1	
42	4700945927	Injector, complete	1	F
43	--	Injector part	1	
46	--	Injector part	1	
43	--	Injector part	1	
44	3382100256	Nozzle	1	
45	4700939149	Injector, complete	1	G
46	--	Injector part	1	
46	--	Injector part	1	
47	4700939152	Nozzle	1	
48	-	Nut, M8	2	
49	-	Stud, M12 x 50 mm	2	
50	3382100259	Fuel pipe	1	H
51	4700945765	Fuel pipe	1	I
52	4700945703	Injection pump, complete	1	J
53	3382100260	Injection pump, complete	1	K
54	3382100241	Banjo screw	2	
55	3382100242	Gasket	4	
56	--	Pump part	1	

Refer to the Parts Online web page for most up-to-date information. The printed information might be outdated.

Item	Part No.	Name	Qty	L
57	4700939616	Shim, 0.10 mm, 0.004 in.	2	
58	4700939778	Shim, 0.6 mm, 0.024 in.	1	
59	4700939777	Shim, 0.9 mm, 0.035 in.	1	
60	4700939776	Shim, 1.2 mm, 0.047 in.	1	
61	-	Washer, M12	2	
62	4700939779	Shim, 0.3 mm, 0.012 in.	1	
63	4700950257	Holder	2	
64	4700950263	Spacer	2	
65	-	Washer, M10	2	
66	4700939630	Injection pump, complete	1	L
67	-	Nut, M8	2	
68	4700939616	Shim, 0.10 mm, 0.004 in.	2	
69	4700939779	Shim, 0.3 mm, 0.012 in.	1	
70	4700939778	Shim, 0.6 mm, 0.024 in.	1	
71	4700939777	Shim, 0.9 mm, 0.035 in.	1	
72	4700939776	Shim, 1.2 mm, 0.047 in.	1	
73	-	Nut, M12	2	
74	4700939606	Valve cover	1	
75	-	Screw, M6 x 25 mm	4	
76	-	Washer, M6	4	
77	4700239333	Valve cover gasket	1	
82	--	Cover	1	
78	4700239336	Oil dipstick, cpl	1	
79	--	Dipstick	1	
80	3382100236	O-ring	2	
81	4700935608	Oil filter cover, cpl	1	
82	--	Cover	1	
82	--	Cover	1	
83	4700239335	O-ring	1	
84	3382015748	Oil filter	1	
85	-	Screw, M6 x 12 mm	5	
86	-	Washer, M6	5	
92	--	Gasket	1	
87	4700939157	Cover	1	
93	--	Gasket	1	

Refer to the Parts Online web page for most up-to-date information. The printed information might be outdated.

Item	Part No.	Name	Qty	L
88	3382100264	Silencer	1	
94	--	Gasket	1	
89	3382100265	Gasket	1	
95	--	Gasket	1	
90	3382100266	Gasket	1	
96	--	Gasket	1	
91	3382100267	Gasket, complete	1	
92	--	Gasket	1	
92	--	Gasket	1	
93	--	Gasket	1	
93	--	Gasket	1	
94	--	Gasket	1	
94	--	Gasket	1	
95	--	Gasket	1	
95	--	Gasket	1	
96	--	Gasket	1	
96	--	Gasket	1	
97	-	Screw, M10 x 35 mm	2	
98	4700939153	Starter	1	
99	4700935753	Gasket	1	
100	4700239386	Support bearing	1	
101	--	Holder	1	
102	3382100246	Bushing	1	
103	-	Washer, M8	2	
104	-	Screw, M8 x 35 mm	2	
105	4700393152	Exhaust pipe	1	
106	4700239439	Crank handle, cpl	1	
107	4700792120	Pipe clamp	1	

Comments for Page: Engine, Hatz 1D50S electric started

(L)OCAL REMARKS

A | Hatz 1D50, electric started. Consist of item 2 to104.

B | New version

C | See section "Fuel tank".

Refer to the Parts Online web page for most up-to-date information. The printed information might be outdated.

D | Old version

E | Valid from engine serial number 109.19xxxxxxx

F | Valid from engine serial number 109.16xxxxxxx to 109.19xxxxxxx.

G | Valid from engine serial number 109.11xxxxxxx to 109.15xxxxxxx.

H | Valid from engine serial number 109.16xxxxxxx

I | Valid up to engine serial number 109.15xxxxxxx

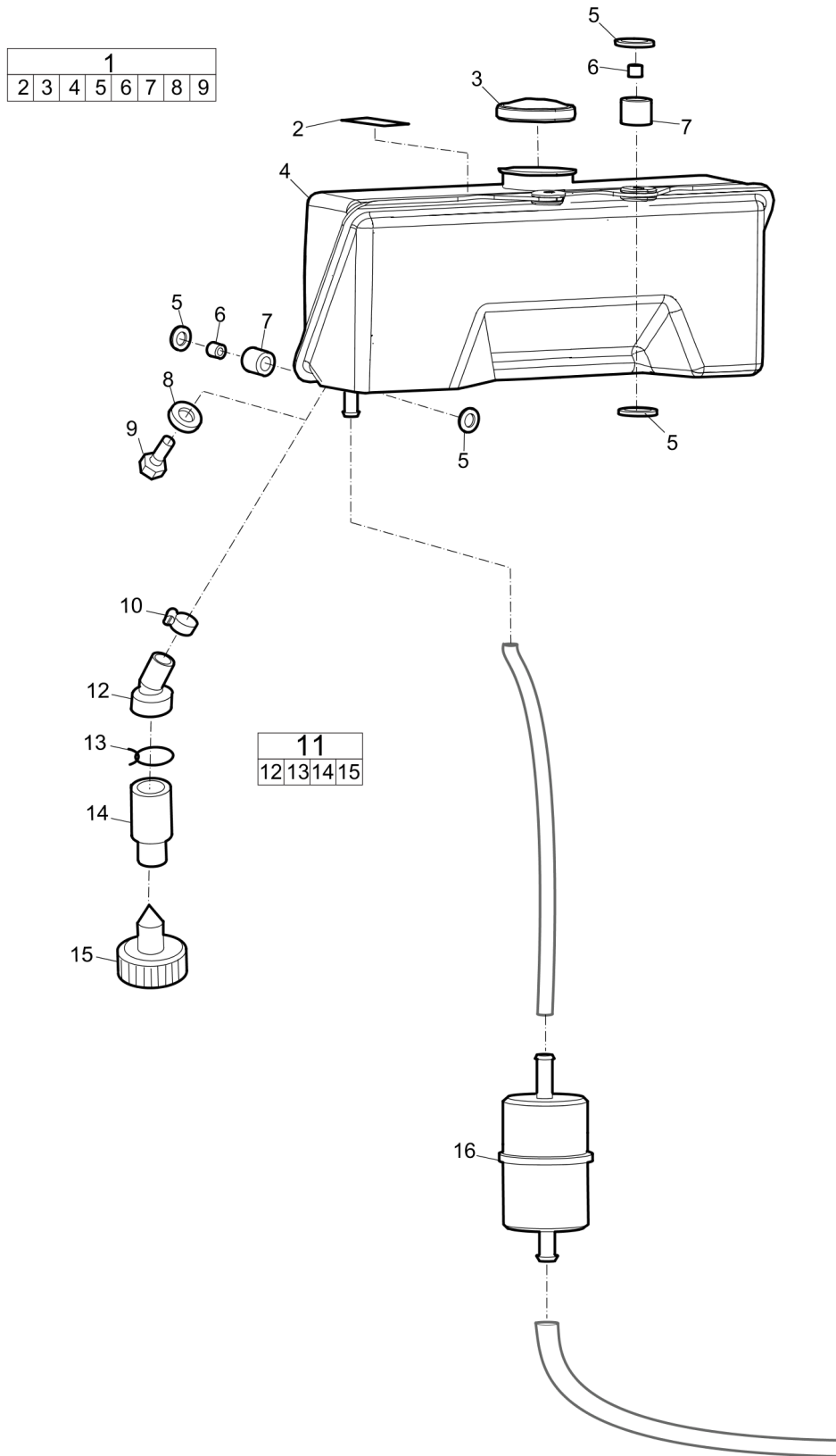
J | Valid from engine serial number 109.16xxxxxxx to 109.19xxxxxxx.

Consist of item 54 to 60.

K | Valid from engine serial number 109.20xxxxxxx

L | Valid from engine serial number 109.11xxxxxxx to 109.15xxxxxxx.

**Spare parts list** Fuel tank Hatz 1D50

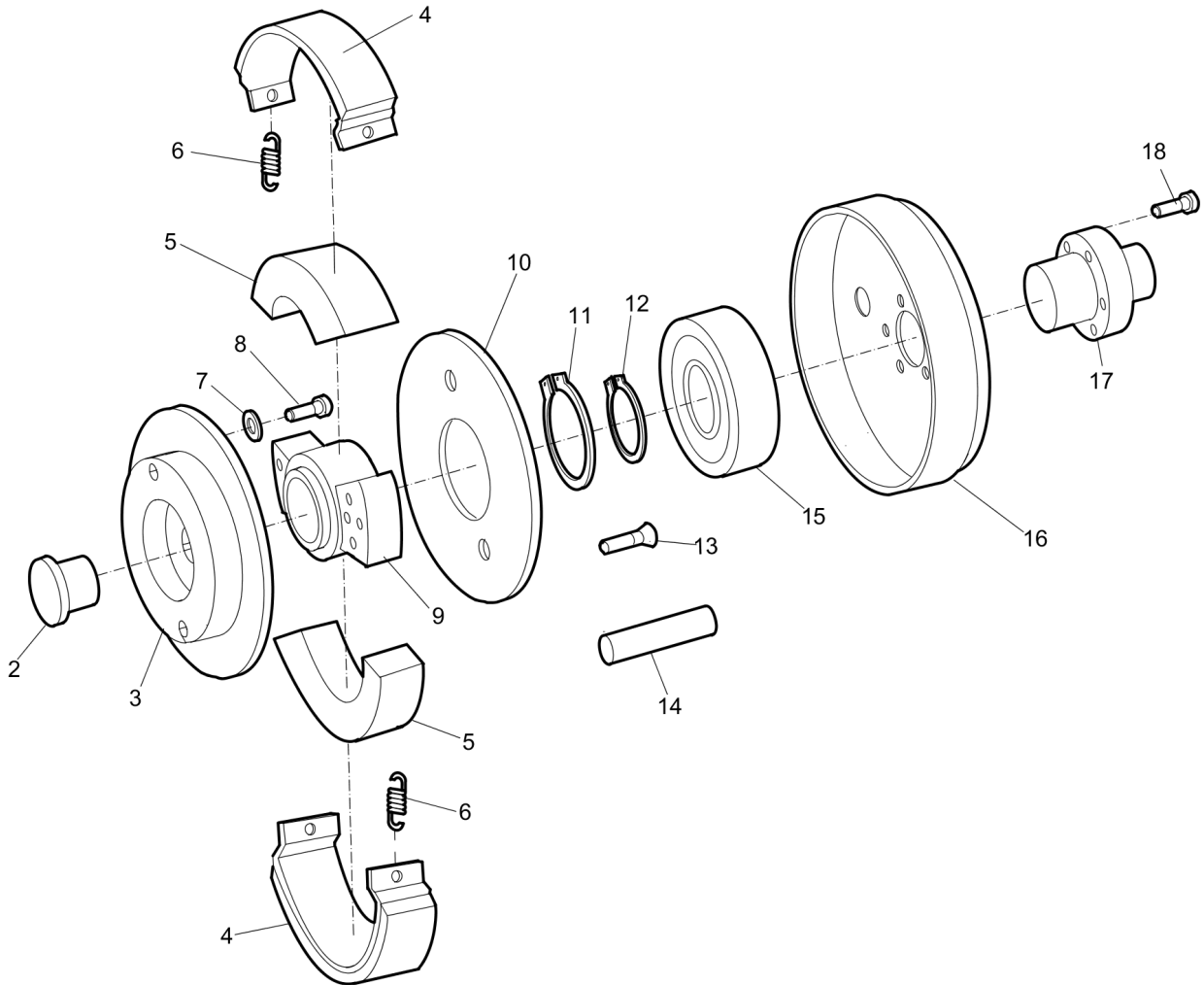


Refer to the Parts Online web page for most up-to-date information. The printed information might be outdated.

Item	Part No.	Name	Qty	L
1	4700239339	Fuel tank	1	
2	--	Label	1	
3	4700923864	Fuel cap	1	
4	--	Fuel tank	1	
5	4700937422	Washer	8	
6	4700937423	Spacer	4	
7	4700937424	Spacer	4	
8	4700238362	Washer	1	
9	4700937435	Plug	1	
10	3382100157	Clamp	1	
11	4700938339	Water separator, cpl	1	
12	--	Hose	1	
13	--	Hose clip	1	
14	--	Water separator	1	
15	--	Drain screw	1	
16	4700937430	Fuel filter	1	

**Spare parts list** Centrifugal clutch

1																	
2	3	4	5	6	7	8	9	10	11	12	13	14	15	16	17	18	

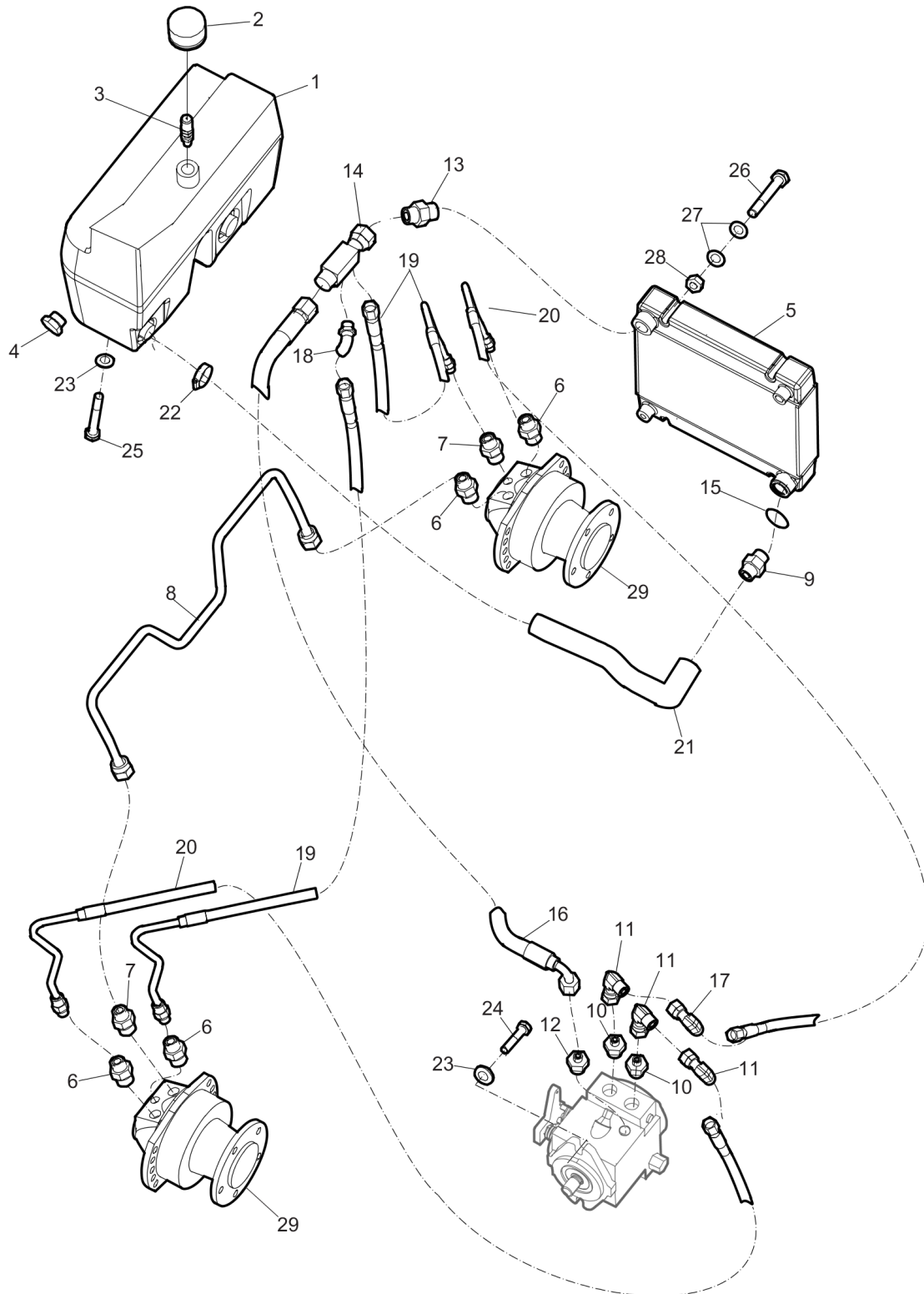


Refer to the Parts Online web page for most up-to-date information. The printed information might be outdated.



Item	Part No.	Name	Qty	L
1	4700386185	Clutch, complete	1	
2	4700939115	Plug	1	
3	4700939116	Flange	1	
4	4700239932	Lining	2	
5	4700939112	Weight	2	
6	4700421246	Spring	2	
7	4700239934	Lock washer	2	
8	4700939117	Screw	2	
9	4700938752	Hub	1	
10	4700936586	Cover	1	
11	4700937035	Retaining ring	1	
12	4700937036	Retaining ring	1	
13	4700937039	Screw	4	
14	4700239933	Pin	4	
15	4700937034	Bearing	1	
16	4700937704	Clutch housing	1	
17	4700939109	Flange	1	
18	4700936110	Screw M6x12	6	

**Spare parts list** Hydraulic system, drum motors and propulsion motor



Refer to the Parts Online web page for most up-to-date information. The printed information might be outdated.

Item	Part No.	Name	Qty	L
1	4700395374	Hydraulic oil tank	1	
2	4700357138	Ventilating filter	1	
3	4700386279	Splash guard	1	
4	4700499127	Sight plug	1	
5	3382012646	Oil cooler	1	
6	4700791410	Straight o-ring connector	4	
7	4700791409	Straight connector orfs	2	
8	4700386358	Hydraulic pipe	1	
9	4700791419	Hose fitting	1	
10	4700791411	Straight o-ring connector	2	
11	4700791401	Elbow 90, O-ring with swivel	3	A
12	4700791412	Straight o-ring connector	1	
13	4700791407	Straight o-ring connector	1	
14	4700386666	Adapter	1	
15	4700791418	Washer sealing	1	
16	4700483596	Hydraulic hose	1	
17	4700791402	Adapter	1	
18	4700791403	Elbow	1	B
19	4700386360	Hydraulic hose	2	
20	4700386359	Hydraulic hose	2	
21	4700791387	Hydraulic hose	1	
22	4700313006	Hose clamp	2	
23	-	Washer, 10.5 x 22 x 2 mm, 0.41 x 0.87 x 0.08 in. 300 HV	6	
24	-	Screw, M10 x 30 mm 8.8	2	
25	-	Screw, M10 x 22 mm 8.8	4	
26	-	Screw, M8 x 60 mm 8.8	4	
27	-	Washer, 8.4 x 16 x 1.5 mm, 0.33 x 0.63 x 0.06 in. 300 HV	4	
28	-	Nut, M8 A2K	2	
29	-	Drum motor	2	C

Comments for Page: Hydraulic system, drum motors and propulsion motor

(L)OCAL REMARKS

A | 90°

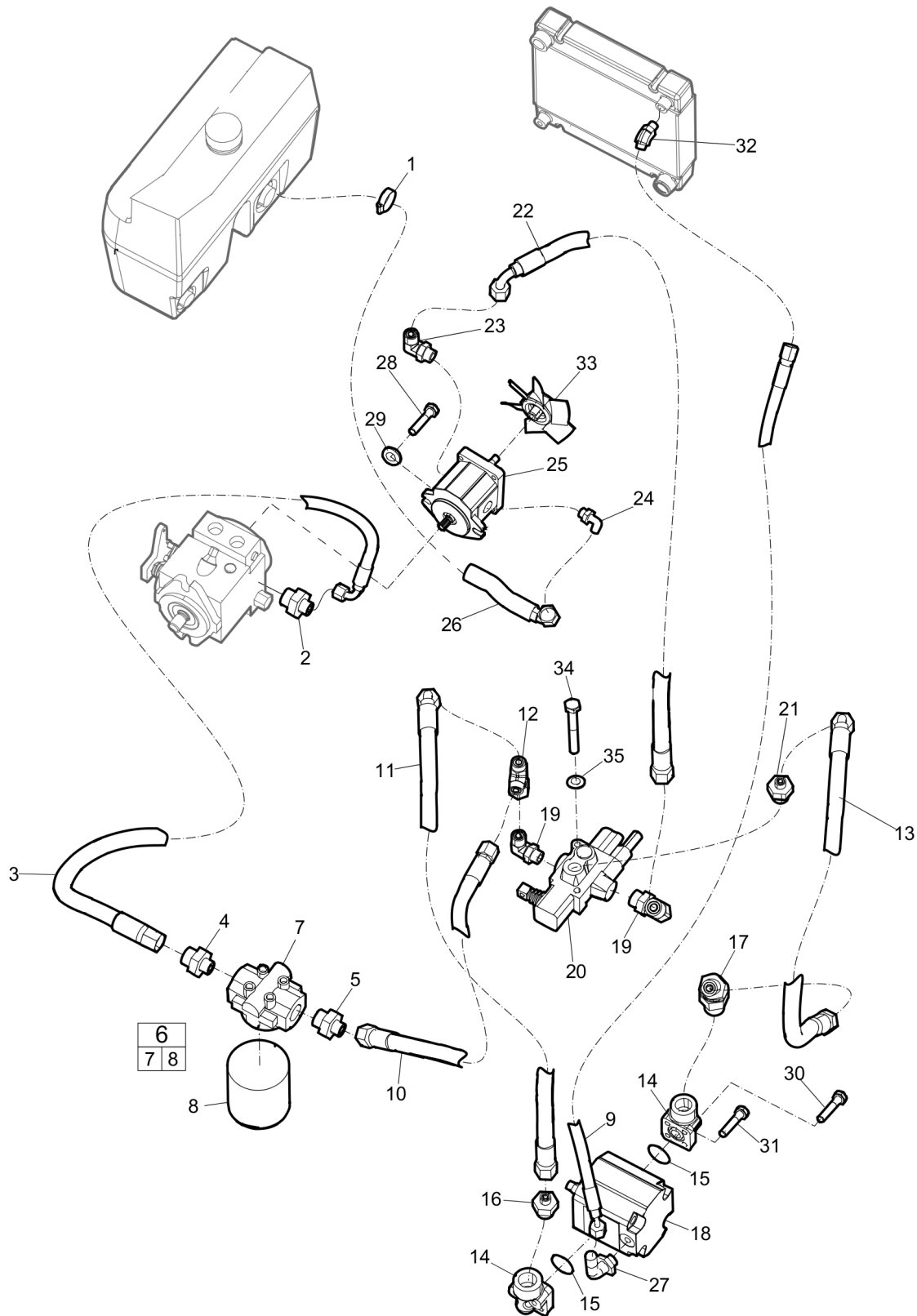
B | 45°

Refer to the Parts Online web page for most up-to-date information. The printed information might be outdated.

C | See section "Drum motor"

This page intentionally left blank

**Spare parts list** Hydraulic system, vibration motor and pump



Refer to the Parts Online web page for most up-to-date information. The printed information might be outdated.

Item	Part No.	Name	Qty	L
1	4700313007	Hose clamp	1	
2	4700791413	Straight o-ring connector	1	
3	4700483595	Hydraulic hose	1	
4	4700791408	Straight o-ring connector	1	
5	4700791406	Straight o-ring connector	1	
6	4700385514	Hydraulic oil filter, cpl	1	
7	4700385516	Housing	1	
8	4700385517	Hydraulic oil filter	1	
9	4700483604	Hydraulic hose	1	
10	4700483594	Hydraulic hose	1	
11	4700483593	Hydraulic hose	1	
12	4700791414	T-connection, O-ring with swivel	1	
13	4700483592	Hydraulic hose	1	
14	4700791417	Flange fitting	2	
15	4700160155	O-ring	2	
16	4700791405	Straight o-ring connector	1	
17	4700791416	Elbow 45, O-ring	1	A
18	4700384940	Vibration motor, complete	1	
19	4700791398	Elbow 90, O-ring	2	B
20	4700378579	Vibration valve	1	
21	4700791404	Straight o-ring connector	1	
22	4700483591	Hydraulic hose	1	
23	4700791399	Elbow 90, O-ring	1	C
24	4700791400	Elbow 90, O-ring	1	D
25	4700384939	Hydraulic pump	1	
26	4700386667	Hydraulic hose	1	
27	4700791397	Connector	1	E
28	-	Screw, M12 x 35 mm 8.8 A3K	2	
29	-	Washer, 13 x 24 x 6 mm, 0.51 x 0.95 x 0.16 in. 300 HV	2	
30	-	Screw, M6 x 35 mm 8.8 A2K	4	
31	-	Screw, M6 x 20 mm 8.8 A2K	4	
33	4700382315	Fan	1	
34	-	Screw, M8 x 60 mm 8.8 A2K	2	
35	-	Washer, 8.4 x 16 x 1.5 mm, 0.33 x 0.63 x 0.06 in. 300 HV	2	

Refer to the Parts Online web page for most up-to-date information. The printed information might be outdated.

Comments for Page: Hydraulic system, vibration motor and pump

(L)OCAL REMARKS

A | 45°

B | 90°

C | 90°

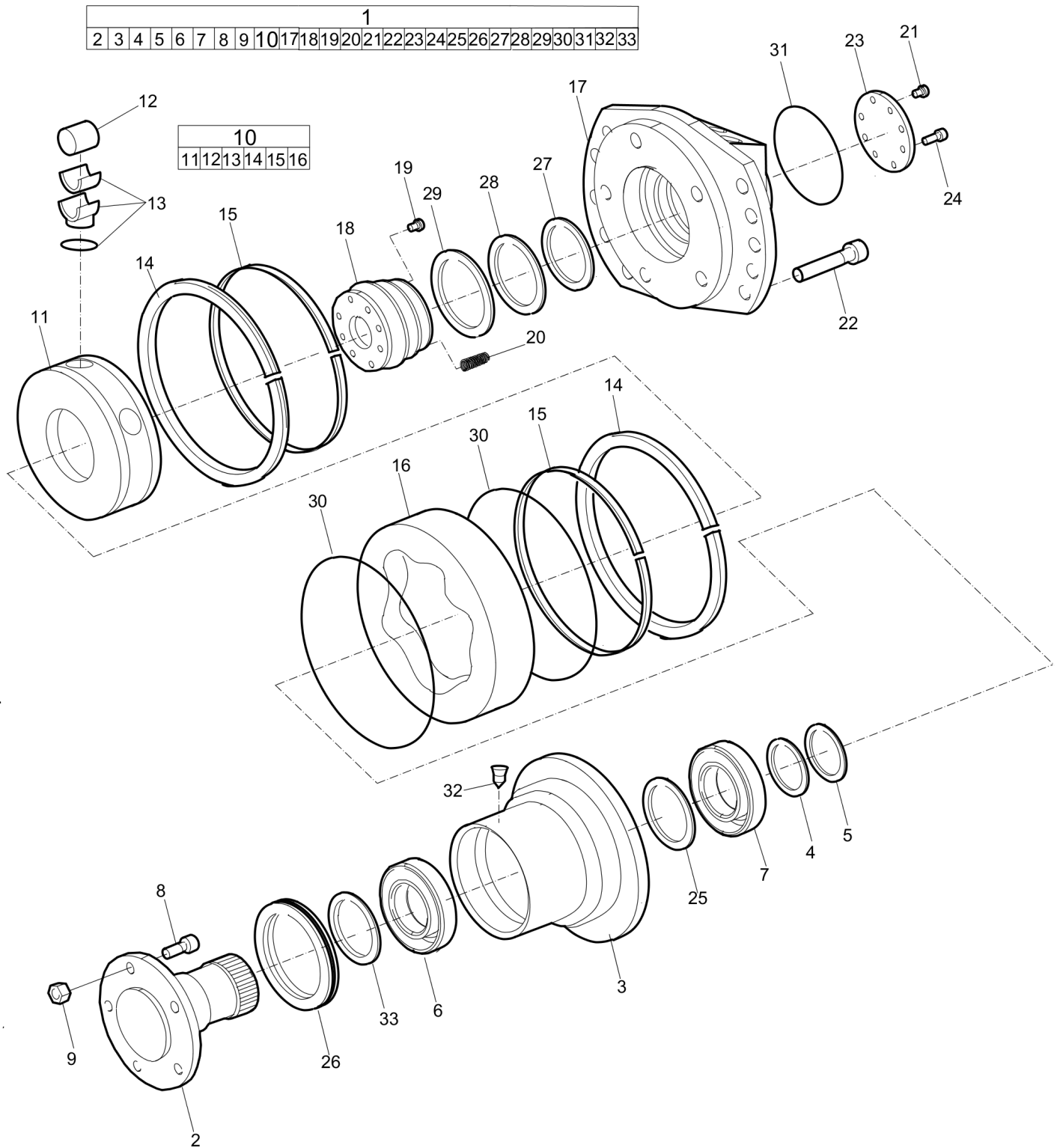
D | 90°

E | 90°



This page intentionally left blank

Spare parts list Drum motor



Refer to the Parts Online web page for most up-to-date information. The printed information might be outdated.

Item	Part No.	Name	Qty	L
1	4700386980	Drum motor, Complete	1	
2	4700939215	Shaft	1	
3	4700939216	Housing	1	
4	--	Shim, Use shim kit 4700939378.	1	
5	4700902388	Split ring	1	
6	4700939217	Bearing	1	
7	4700902390	Bearing	1	
8	4700902391	Wheel stud	5	
9	4700902392	Wheel nut	5	
10	4700939118	Rotating group, cpl	1	
11	---	Cylinder block	1	
12	4700903453	Roller	8	
13	---	Retaining ring	8	
14	4700937877	Retaining ring	2	
15	4700937092	Circlip	2	
16	---	Piston cam	1	
17	--	Housing	1	
18	4700937094	Distributor ring	1	
19	4700902397	Pin	1	
20	4700902398	Spring	9	
21	4700902399	Plug	1	
22	4700902799	Screw	6	
23	4700939119	End cover	1	
24	4700939120	Screw	8	
25	--	Shaft sealing	1	A
26	--	Shaft sealing	1	B
26	--	Shaft sealing	1	B
27	--	Sealing	1	C
28	--	Sealing	1	D
28	--	Sealing	1	D
29	--	Sealing	1	E
29	--	Sealing	1	E
30	--	O-ring	2	F
31	--	O-ring	1	G
31	--	O-ring	1	G

Refer to the Parts Online web page for most up-to-date information. The printed information might be outdated.

Item	Part No.	Name	Qty	L
32	4700939219	Plug	1	
33	4700939218	Spacer	1	

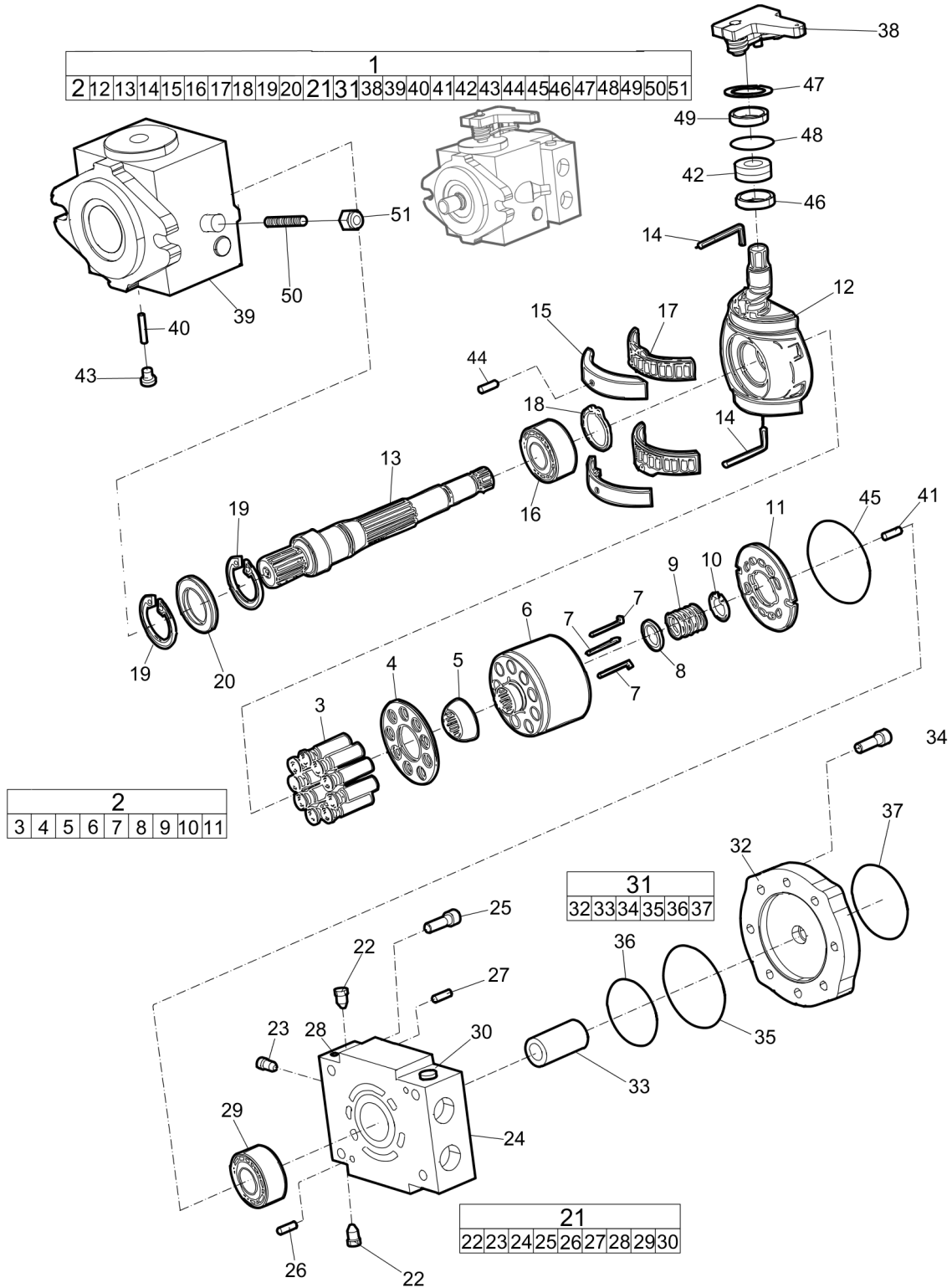
Comments for Page: Drum motor

(L)OCAL REMARKS

- A | Included in seal kit 4700939121.
- B | Included in seal kit 4700939121.
- C | Included in seal kit 4700939121.
- D | Included in seal kit 4700939121.
- E | Included in seal kit 4700939121.
- F | Included in seal kit 4700939121.
- G | Included in seal kit 4700939121.

This page intentionally left blank

Spare parts list Hydraulic pump, propulsion



Refer to the Parts Online web page for most up-to-date information. The printed information might be outdated.

Item	Part No.	Name	Qty	L
1	4700387936	Hydraulic pump, Cpl	1	
2	4700939202	Rotary group, cpl	1	
3	---	Piston group	1	
4	---	Piston holder	1	
5	---	Bushing	1	
6	---	Housing	1	
7	---	Pin	3	
8	---	Lock Washer	1	
9	---	Spring	1	
10	---	Lock Washer	1	
10	---	Lock Washer	1	
11	---	Flange	1	
12	4700939201	Cradle	1	
13	4700939203	Shaft	1	
14	4700929304	Wire	2	
15	4700939205	Bearing liner	2	
16	4700939206	Plain roller bearing	1	
17	4700939207	Cradle bearing assy	2	
18	4700939208	Retaining ring	1	
19	4700939209	Retaining ring	2	
20	4700939210	Seal ring	1	
21	4700939178	Port plate, cpl	1	
22	4700939179	Pressure relief valve, cpl	2	
23	4700939211	Pressure relief valve, cpl	1	
24	---	Port plate	1	
25	4700939212	Plug	4	
26	4700937987	Cylindric pin	2	
27	4700936307	Double break-off pin	1	
28	4700936370	Locking screw	1	
29	4700936370	Locking screw	1	
30	4700902625	Plug	2	
31	4700939172	Pump support plate, cpl	1	
32	4700939175	Flange	1	
33	4700939174	Coupling	1	
34	4700902625	Plug	4	

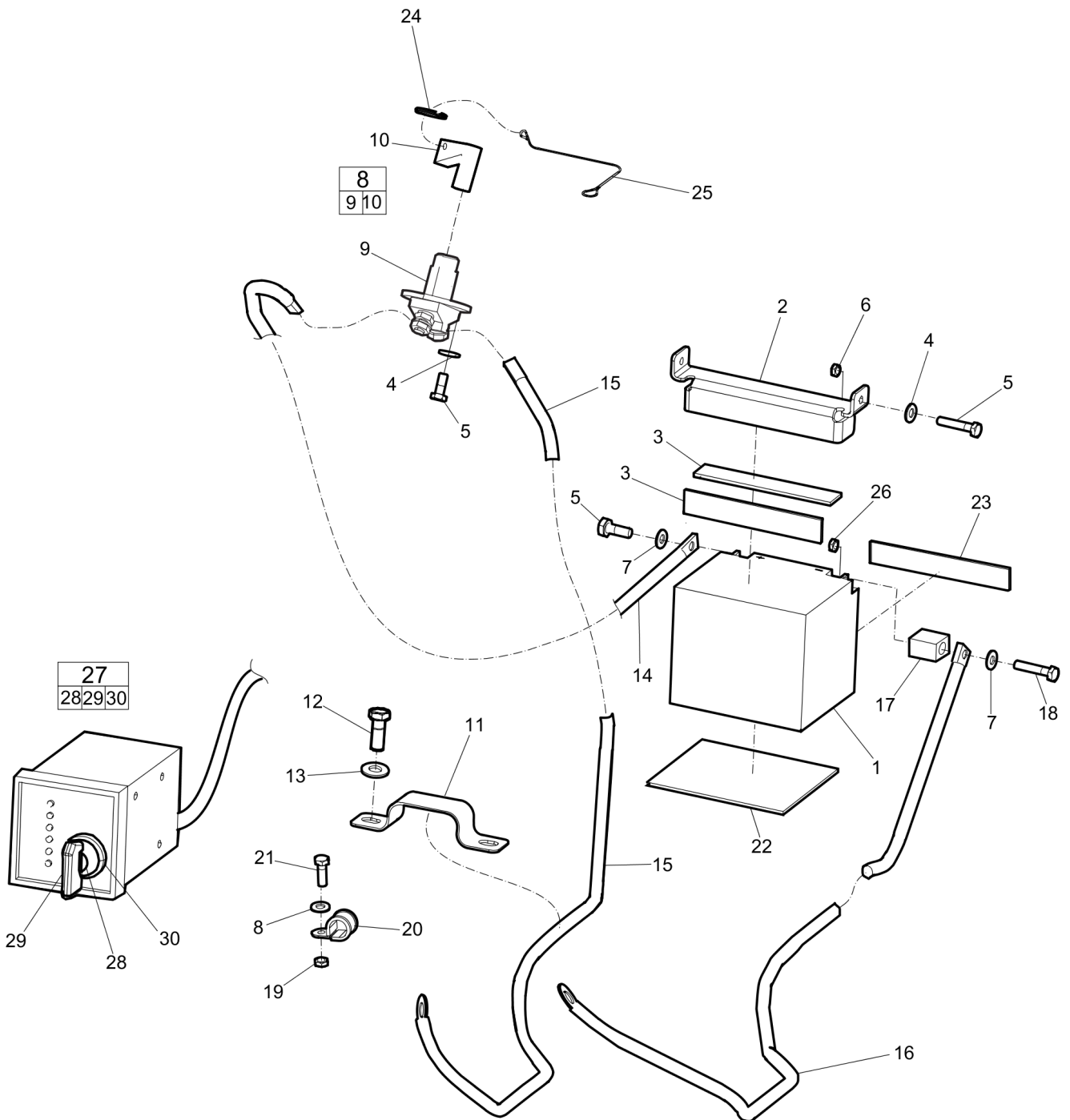
Refer to the Parts Online web page for most up-to-date information. The printed information might be outdated.

Item	Part No.	Name	Qty	L
35	4700939176	O-ring	1	
36	4700939177	O-ring	1	
37	4700936405	O-ring	1	
38	4700939170	Control arm, cpl	1	
39	4700939171	Housing	1	
40	4700935158	Pin	2	
41	4700939214	Pin	1	
42	4700939165	Seal ring	1	
43	4700936309	Locking screw	1	
44	4700939169	Pin	2	
45	4700939168	O-ring	1	
46	4700939164	Shaft seal ring	1	
47	4700939167	Retaining ring	1	
48	4700939166	O-ring	1	
49	4700939163	Wiper	1	
50	4700939162	Threaded pin	2	
51	4700936393	Seal lock nut	2	



This page intentionally left blank

Spare parts list Electrical equipment



Refer to the Parts Online web page for most up-to-date information. The printed information might be outdated.

Item	Part No.	Name	Qty	L
1	4700391137	Battery	1	A
2	4700385723	Battery holder	1	
3	4700385941	Rubber cloth	2	
4	-	Washer, 8.4 x 16 x 1.5 mm, 0.33 x 0.63 x 0.06 in. 300 HV	4	
5	-	Screw, M8 x 20 mm 8.8 A2K	5	
6	-	Nut, M8 A2K	2	
7	-	Washer, 6.4 x 12 x 1.5 mm, 0.25 x 0.47 x 0.06 in. 300 HV	3	
8	4700357567	Battery switch, cpl	1	
9	--	Switch	1	
10	4700902560	Handle	1	
11	4700384200	Clamp	2	
12	-	Screw, M5 x 12 mm 8.8 A2K	4	
13	-	Washer, 5.3 x 10 x 1 mm, 0.21 x 0.39 x 0.04 in. 300 HV	4	
14	4700791063	Connection cable	1	B
15	4700791064	Connection cable	1	
16	4700791065	Connection cable	1	D
17	4700391138	Spacer	1	
18	-	Screw, M6 x 50 mm 8.8 A2K	1	
19	-	Nut, M6 A2K	1	
20	4700921031	Clamp	1	
21	-	Screw, M6 x 16 mm 8.8 A2K	2	
22	4700385943	Rubber cloth	1	
23	4700385944	Rubber cloth	1	
24	4700358254	Key-ring	1	
25	4700384362	Wire	1	
26	-	Nut, M6	2	
27	4700378072	Control box	1	
28	4700938146	Ignition switch	1	
29	4700938086	Ignition key	1	
30	4700379028	Dirt shield	1	

Comments for Page: Electrical equipment

(L)OCAL REMARKS

A | 12V 44Ah

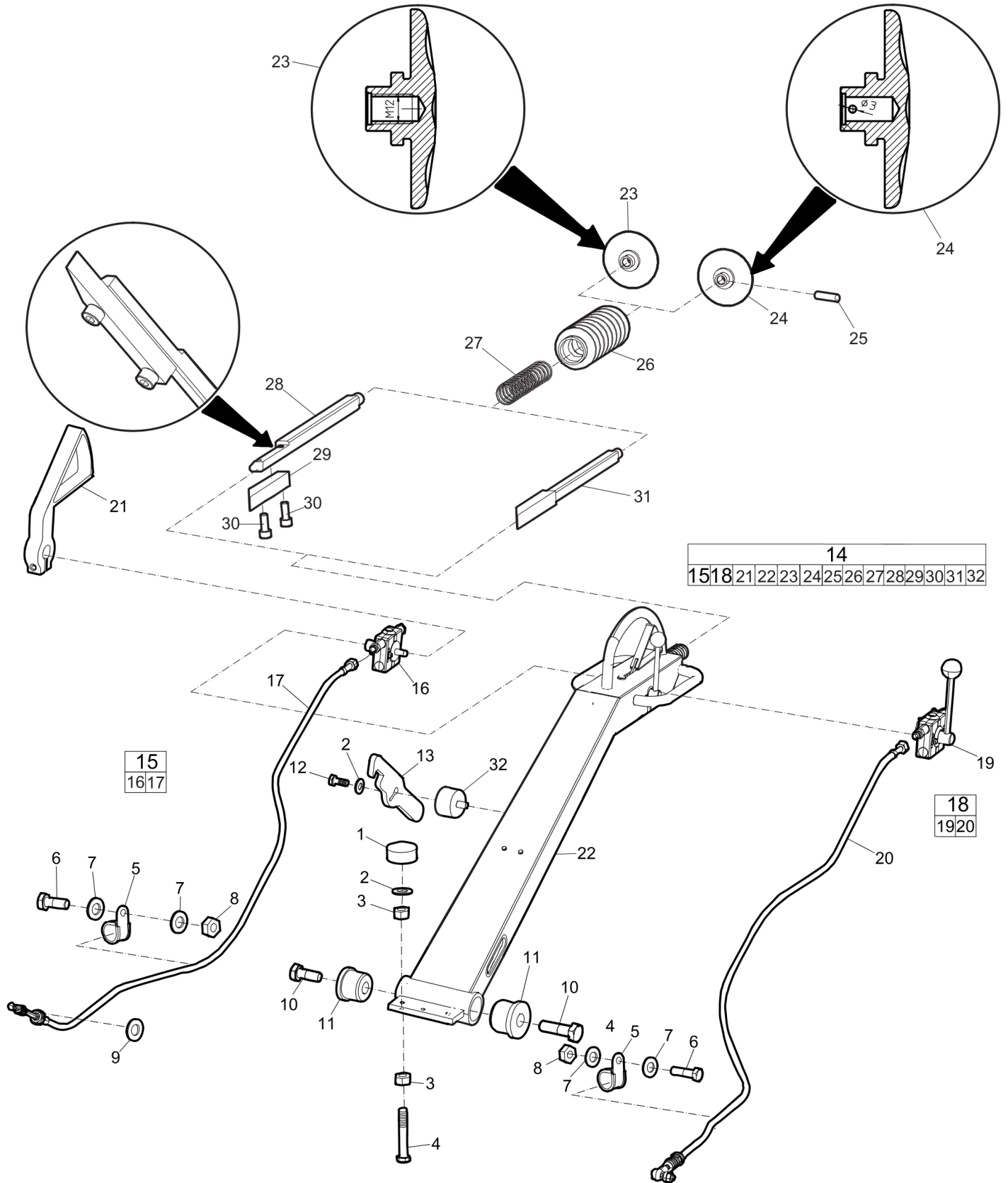
Refer to the Parts Online web page for most up-to-date information. The printed information might be outdated.

B | Connected to positive terminal of battery

D | Connected to negative terminal of battery

This page intentionally left blank

Spare parts list Handle



Refer to the Parts Online web page for most up-to-date information. The printed information might be outdated.

Item	Part No.	Name	Qty	L
1	4700791373	Shock absorber	2	
2	-	Washer, 10.5 x 22 x 2 mm, 0.41 x 0.87 x 0.08 in. 300 HV	5	
3	-	Nut, M10 A3K	4	
4	-	Screw, M10 x 60 mm 8.8 A3K	2	
5	4700921031	Clamp	2	
6	-	Screw, M6 x 16 mm A2K	2	
7	-	Washer, 6.4 x 12 x 1.5 mm, 0.25 x 0.47 x 0.06 in. 300 HV	4	
8	-	Nut, M6 A2K	2	
9	-	Washer, 6.4 x 22 x 4 mm, 0.25 x 0.87 x 0.16 in. 300 HV	1	
10	4700382322	Screw	2	
11	4700382321	Bushing	2	
12	4700500027	Screw M10-1,55x22 8.8	1	
13	4700382496	Hook	1	
14	3382010015	Handle, complete	1	
15	4700940452	Direction control, cpl	1	
16	4700940500	Handle and cable support, complete	1	
17	4700940501	Control cable, cpl	1	
18	4700939126	Vibration control, cpl	1	
19	4700939560	Handle and control cable support	1	
20	4700939561	Control cable, cpl	1	
21	4700940534	Control handle	1	
22	--	Handle	1	
23	4700940331	Push button	1	A
24	3382100187	Push button	1	B
25	-	Pin	1	
26	4700939133	Bellow	1	
27	4700939670	Spring	1	
28	4700940332	Trigger shaft	1	
29	4700940453	Trigger key	1	C
30	-	Screw, M8 x 25 mm	2	C
31	3382100014	Trigger shaft	1	
32	4700939138	Shock absorber	1	

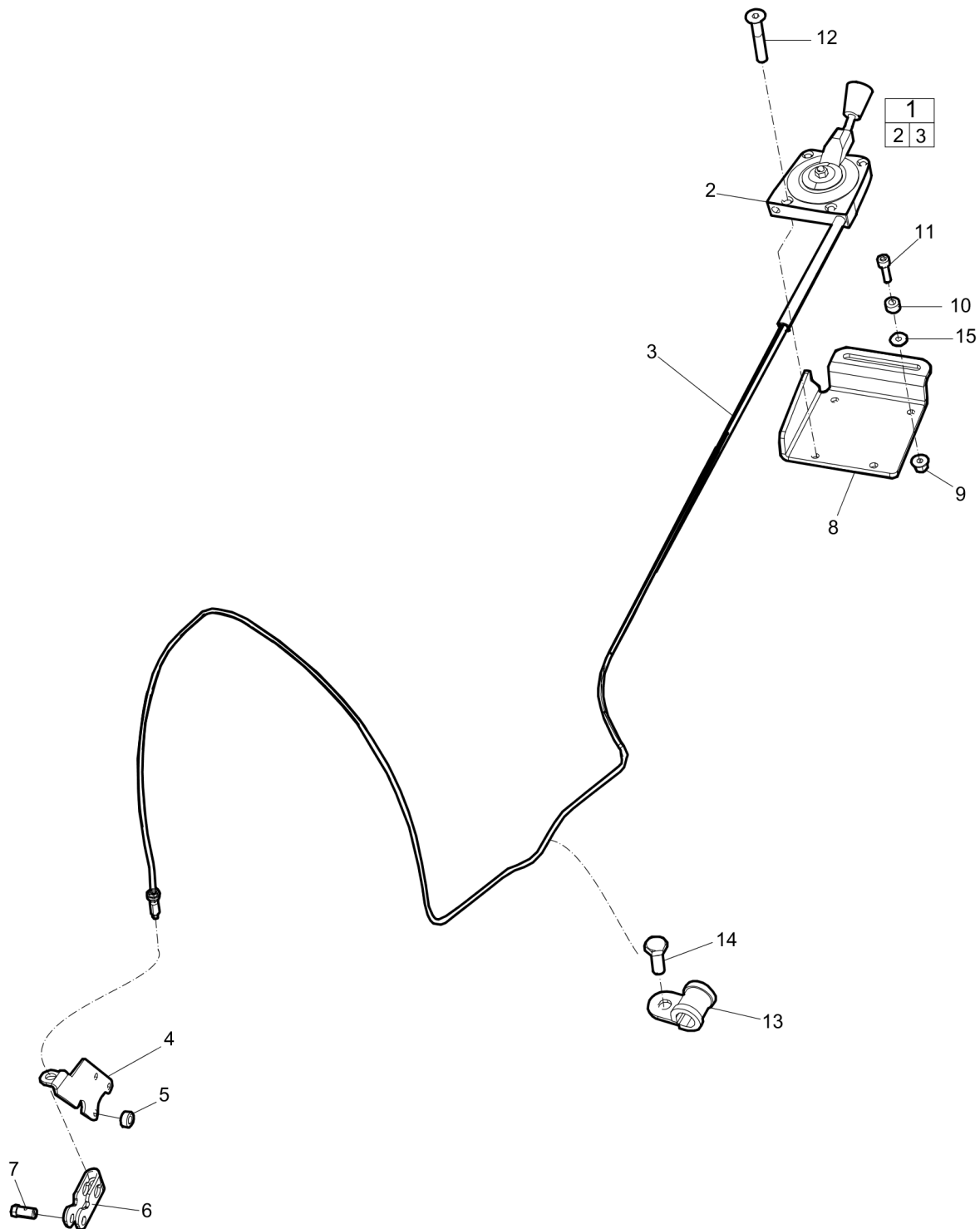
Comments for Page: Handle

- A || Old version, for threaded trigger shaft.
- B || New version, for trigger shaft with lock pin for the push button.
- C || Old version with bolted trigger key.
- D || Old version, for trigger shaft with bolted trigger key.
- E || New version with integrated trigger key.



This page intentionally left blank

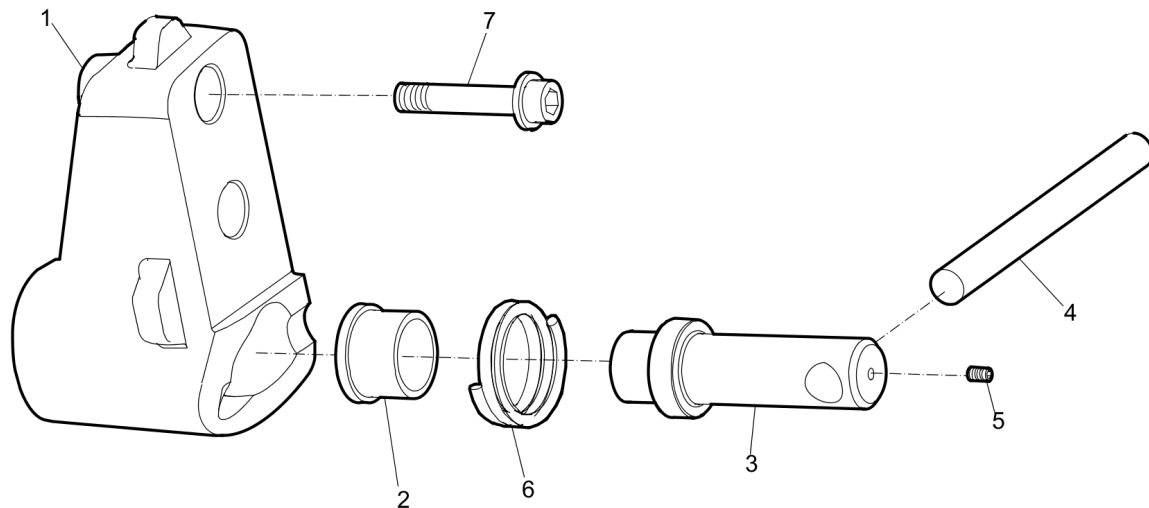
**Spare parts list** Throttle control



Refer to the Parts Online web page for most up-to-date information. The printed information might be outdated.

Item	Part No.	Name	Qty	L
1	4700396153	Throttle control, cpl	1	
2	4700397114	Throttle handle	1	
3	4700396107	Throttle cable	1	
4	4700281228	Bracket	1	
5	4700382166	Spacer	3	
6	4700385598	Lever	1	
7	4700281236	Nipple	1	
8	4812070115	Throttle control bracket	1	
9	-	Lock nut, M6 x 1 mm A2K	1	
10	4700394417	Spacer	1	
11	-	Screw, M6 x 16 mm 8.8 A2	1	
12	-	Screw, M5 x 30 mm A2-70	4	
13	4700791341	Pipe clamp	1	
14	-	Screw, M6 x 16 mm 8.8 A2K	1	
15	-	Washer, 6.4 x 12 x 1.5 mm, 0.25 x 0.47 x 0.06 in. 300 HV	1	

**Spare parts list** Handbrake

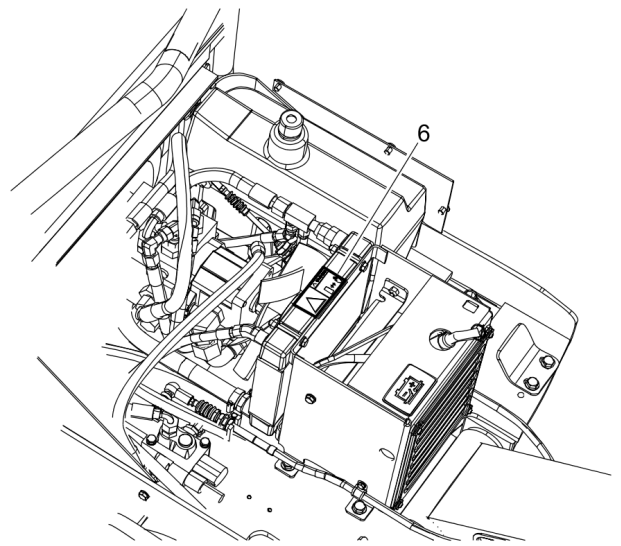
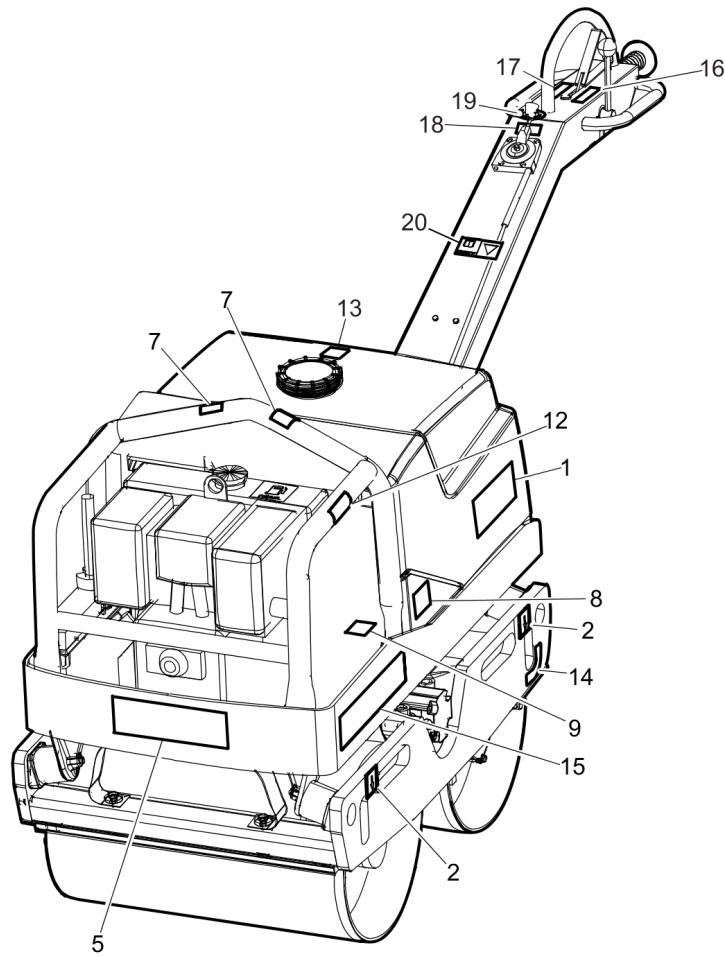
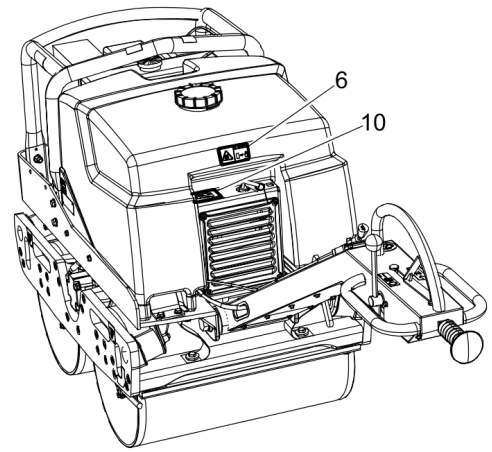
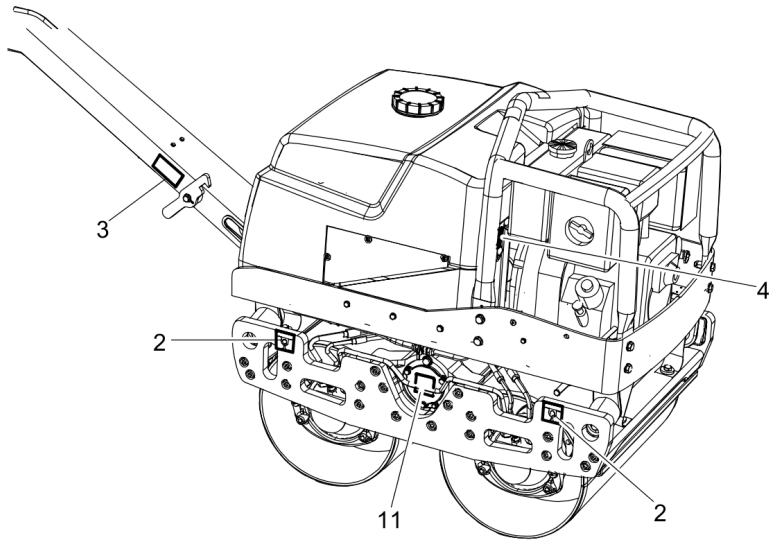


Item	Part No.	Name	Qty	L
1	4700384350	Housing	1	
2	4700286832	Bushing	1	
3	4700384351	Shaft	1	
4	4700384361	Handle	1	
5	-	Set screw	1	
6	4700286831	Spring	1	
7	4700791360	Screw M12 x 60mm	1	

Comments for Page: Handbrake

DACROMET® is a registered trademark of Nof Metal Coatings North America Inc.

Spare parts list Labels



Refer to the Parts Online web page for most up-to-date information. The printed information might be outdated.

Item	Part No.	Name	Qty	L
1	3382010022	Product label, "Atlas Copco"	2	A
2	4700382751	Decal "SECURING POINT/TIE DOWN"	4	B
3	4700791366	Safety label, lock handle	1	C
4	4700272373	Label, hydraulic oil level	1	D
5	3382010023	Product label	1	E
6	4700903423	Safety label, Rotating engine components	2	F
7	4700357587	Label lifting point	2	G
8	4700791295	Decal "SOUND POWER LEVEL" 107dB	1	
9	4700272516	Decal "START"	1	H
10	4700904835	Decal "BATTERY POWER"	1	I
11	4700272371	Label	1	J
12	4700903424	Safety label, hot surfaces	1	K
13	4700271419	Label	1	L
14	4700386515	Decal "PARKING BRAKE"	1	M
15	3382010024	Product label	2	N
16	4700272381	Decal "VIBRATION"	1	O
17	4700272382	Label	1	P
18	4700284285	Label, engine speed	1	Q
19	4700281898	Label, use ear protectors	1	
20	4700904680	Safety label, read instruction manual	1	R

Comments for Page: Labels

(L)OCAL REMARKS

A | "Atlas Copco"

B | Tie down point

C | Lock handle

D | Hydraulic oil level

E | "Atlas Copco"

F | Rotating engine components

G | Lift point

H | Engine start

I | Battery power

J | Sprinkler

K | Hot surfaces

L | Water

Refer to the Parts Online web page for most up-to-date information. The printed information might be outdated.

M | Parking brake

N | "LP 6500"

O | Vibration

P | Forward/Reverse

Q | Throttle control

R | Read instruction manual



Any unauthorized use or copying of the contents or any part thereof is prohibited.  
This applies in particular to trademarks, model denominations, part numbers, and drawings.

