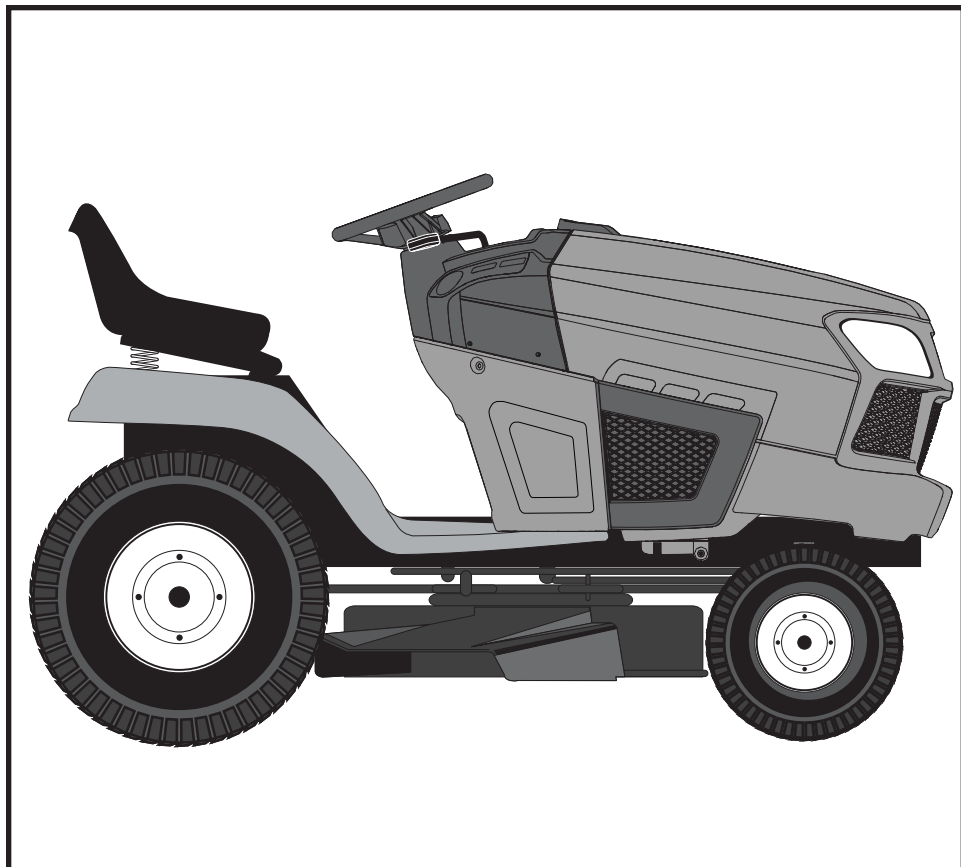


SEARS
REPAIR
PARTS
MANUAL

**MODEL NO.
944.100490**

**IMPORTANT:
Read and follow
all Safety Rules
and Instructions
Before Operating
This Equipment**



CRAFTSMAN®

18.5 HP*
ELECTRIC START
42" MOWER
AUTOMATIC TRANSMISSION
LAWN TRACTOR

* The power rating as declared by the engine manufacturer is the average gross power output at the specified RPM of a typical production engine for the engine model measured using SAE Standards for engine gross power. Please refer to the engine manufacturer for details.

Sears Canada, Inc., Toronto, Ontario M5B 2B8

115873324 Rev. 1

08.18.17 JSE
Printed in the U.S.A.

HOW TO USE THIS MANUAL

This manual is designed to provide the customer with a means to identify the parts on his/her tractor when ordering repair parts. The illustrations may or may not represent the actual assemblies; therefore, it is not recommended to use this manual as a guide to assemble or disassemble the tractor. Some hardware and parts are drawn larger in order to more readily identify them.

Each tractor has its own model number.

The model number for your tractor can be found on the fender under the seat.

When ordering parts, always give the following information:

- Product - "Tractor"
- MODEL NUMBER - "944.100490"
- Part Number
- Part Description

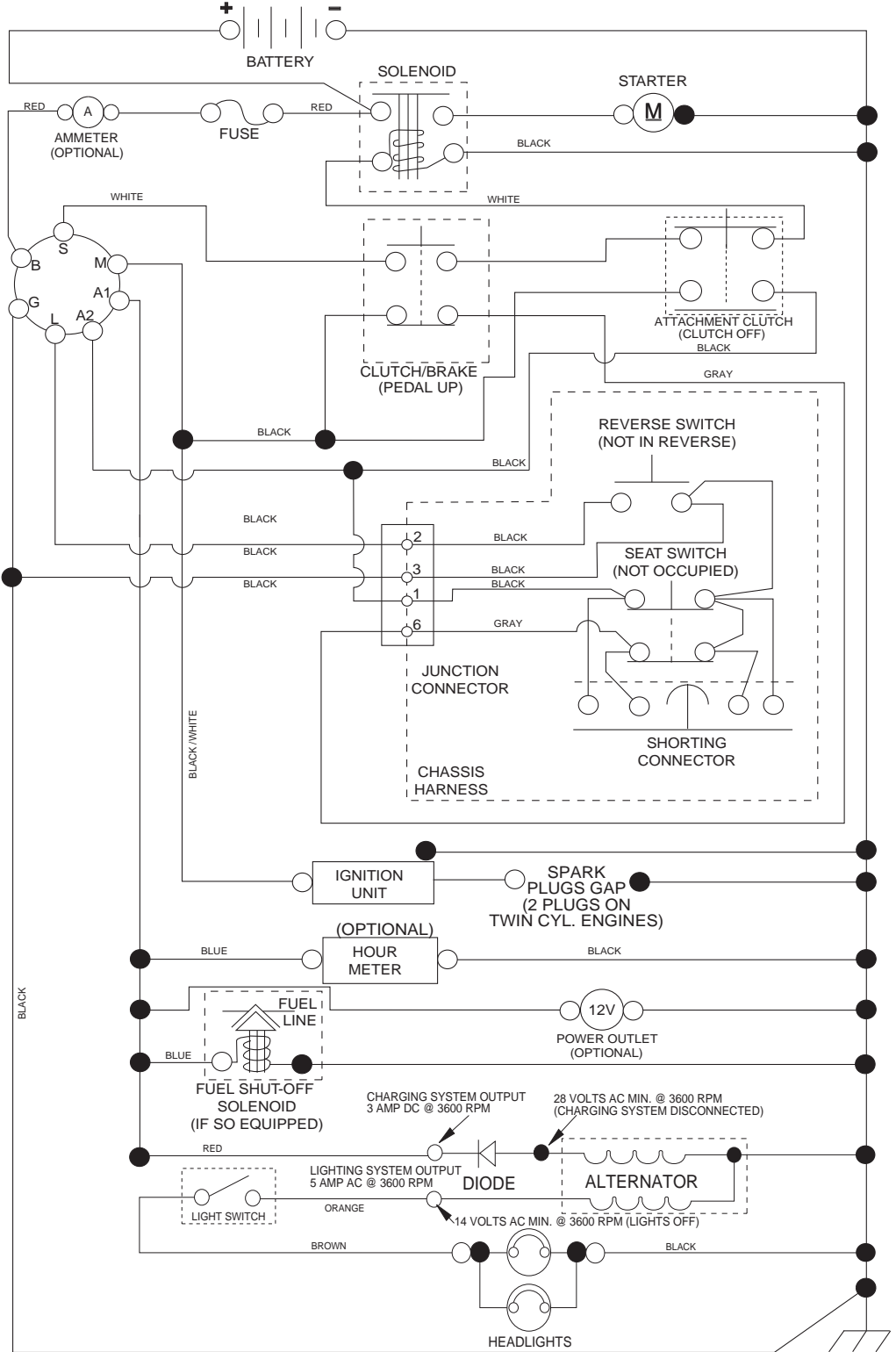
TABLE OF CONTENTS

SCHEMATIC	3
ELECTRICAL.....	4-5
CHASSIS	6-7
DRIVE.....	8-9
ENGINE.....	10-11
STEERING	12-13
MOWER DECK	14-15
MOWER LIFT.....	16
SEAT	17
DECALS.....	18
TRANSAXLE BREAKDOWN	19
ENGINE BREAKDOWN.....	20-23
WARRANTY.....	24
SEARS SERVICE	26

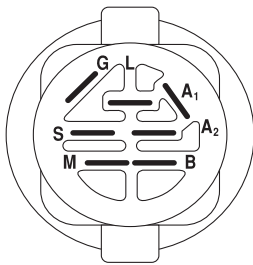
TRACTOR - - MODEL NUMBER 944.100490

SCHEMATIC

SCH11

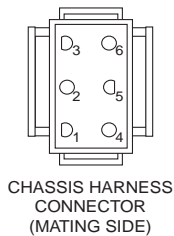


NOTE
YOUR TRACTOR IS EQUIPPED WITH A SPECIAL ALTERNATOR SYSTEM. THE LIGHTS ARE NOT CONNECTED TO THE BATTERY, BUT HAVE THEIR OWN ELECTRICAL SOURCE. BECAUSE OF THIS, THE BRIGHTNESS OF THE LIGHTS WILL CHANGE WITH ENGINE SPEED. AT IDLE THE LIGHTS WILL DIM. AS THE ENGINE IS SPEEDED UP, THE LIGHTS WILL BECOME THEIR BRIGHTEST.

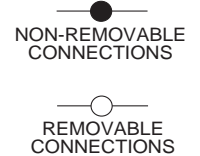


IGNITION SWITCH

POSITION	CIRCUIT	"MAKE"
OFF	M+G+A1	
RUN/OVERRIDE	B+A1	
RUN	B+A1	L+A2
START	B + S + A1	

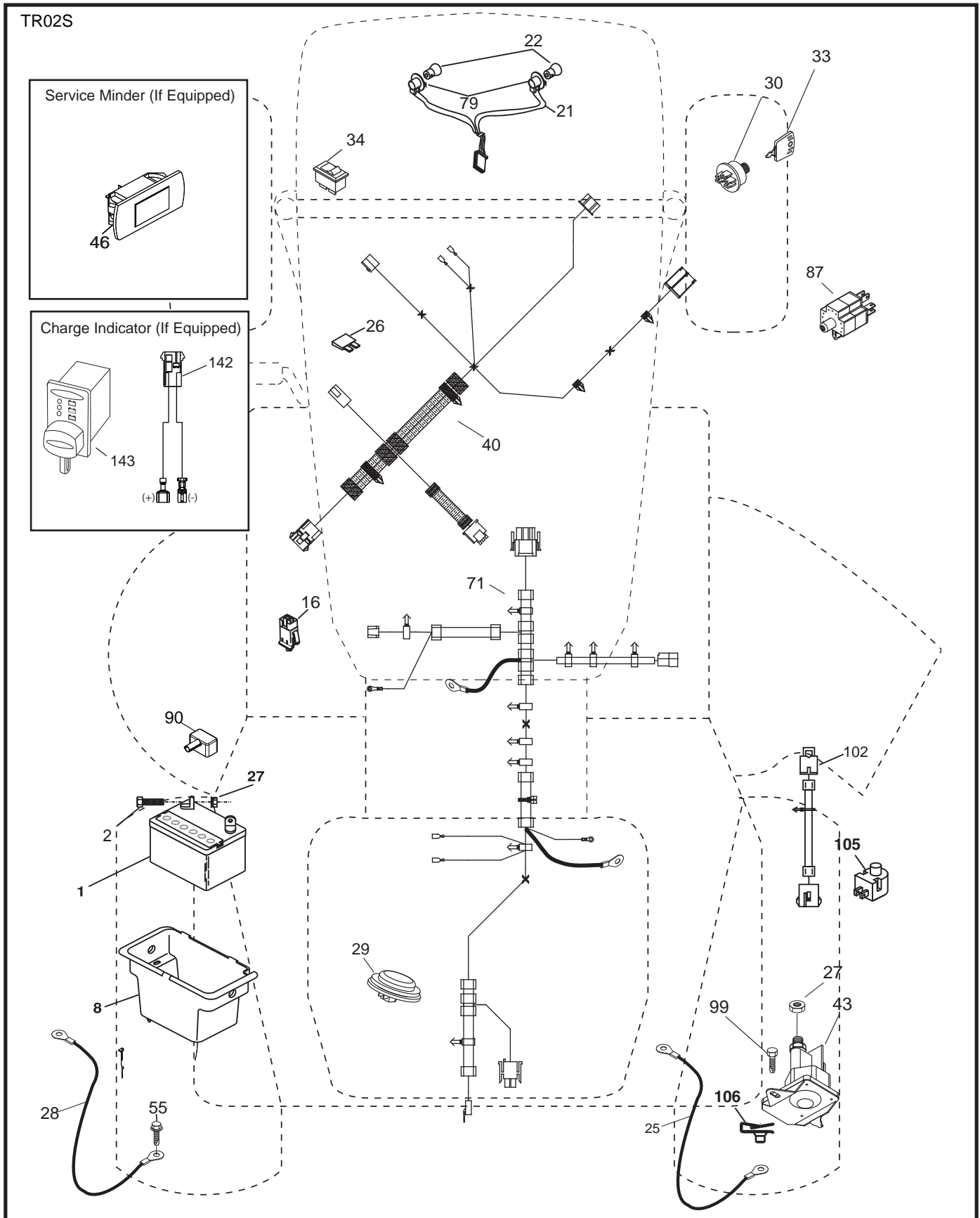


WIRING INSULATED CLIPS
NOTE: IF WIRING INSULATED CLIPS WERE REMOVED FOR SERVICING OF UNIT, THEY SHOULD BE RE-INSTALLED TO PROPERLY SECURE YOUR WIRING.



TRACTOR - - MODEL NUMBER 944.100490

ELECTRICAL



TRACTOR - - MODEL NUMBER 944.100490

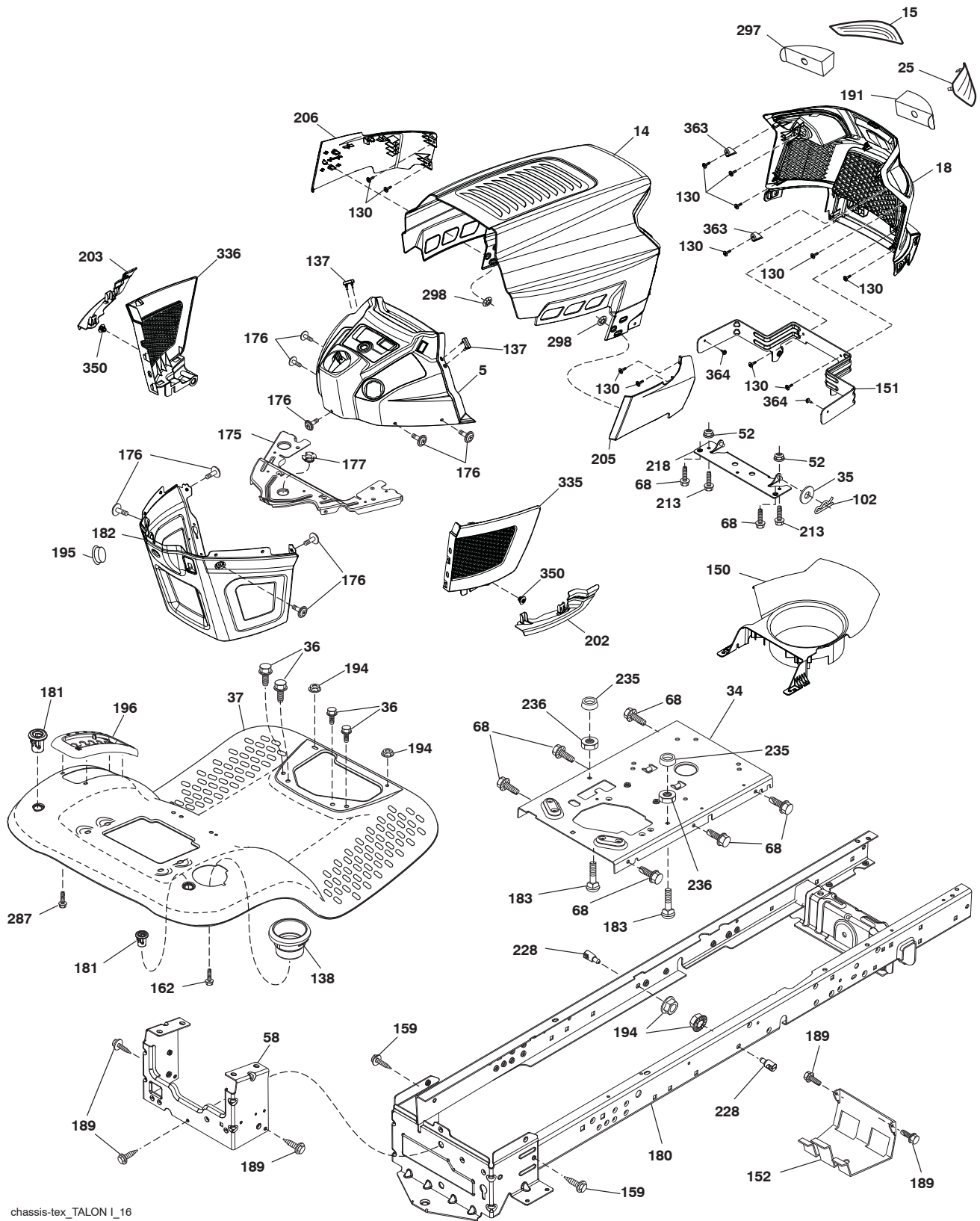
ELECTRICAL

KEY NO.	PART NO.	DESCRIPTION
1	163465	Battery
2	74760412	Bolt Hex Hd 1/4-20 unc x 3/4
8	193228	Box Battery
16	176138	Switch Interlock Push-In
21	400252	Harness Socket Light w/4152J
22	4152J	Bulb Light
25	581498001	Cable Starter
26	175158	Fuse
27	73510400	Nut Keps Hex 1/4-20 unc
28	421686	Cable, Ground
29	401545	Switch, Seat
30	193350	Switch, Ign
33	411934	Key/Chain
34	110712X	Switch Light / Reset
40	581023101	Harness Ign. Dash
43	582042801	Solenoid
55	17060512	Screw Thdrol 5/16-18 x 3/4 TYTT
71	501133701	Harness Ign. Chassis
79	175242	Bulbholder Asm. Incan Descent
87	197802	Switch Interlock Clutch Cable
90	435395	Cover Terminal Battery
99	17670412	Screw
102	581023401	Harness Pigtail
105	407568	Switch Reverse
106	174814	Palnut

NOTE: All component dimensions given in U.S. inches
1 inch = 25.4 mm

TRACTOR - - MODEL NUMBER 944.100490

CHASSIS



chassis-tex_TALON I_16

TRACTOR - - MODEL NUMBER 944.100490

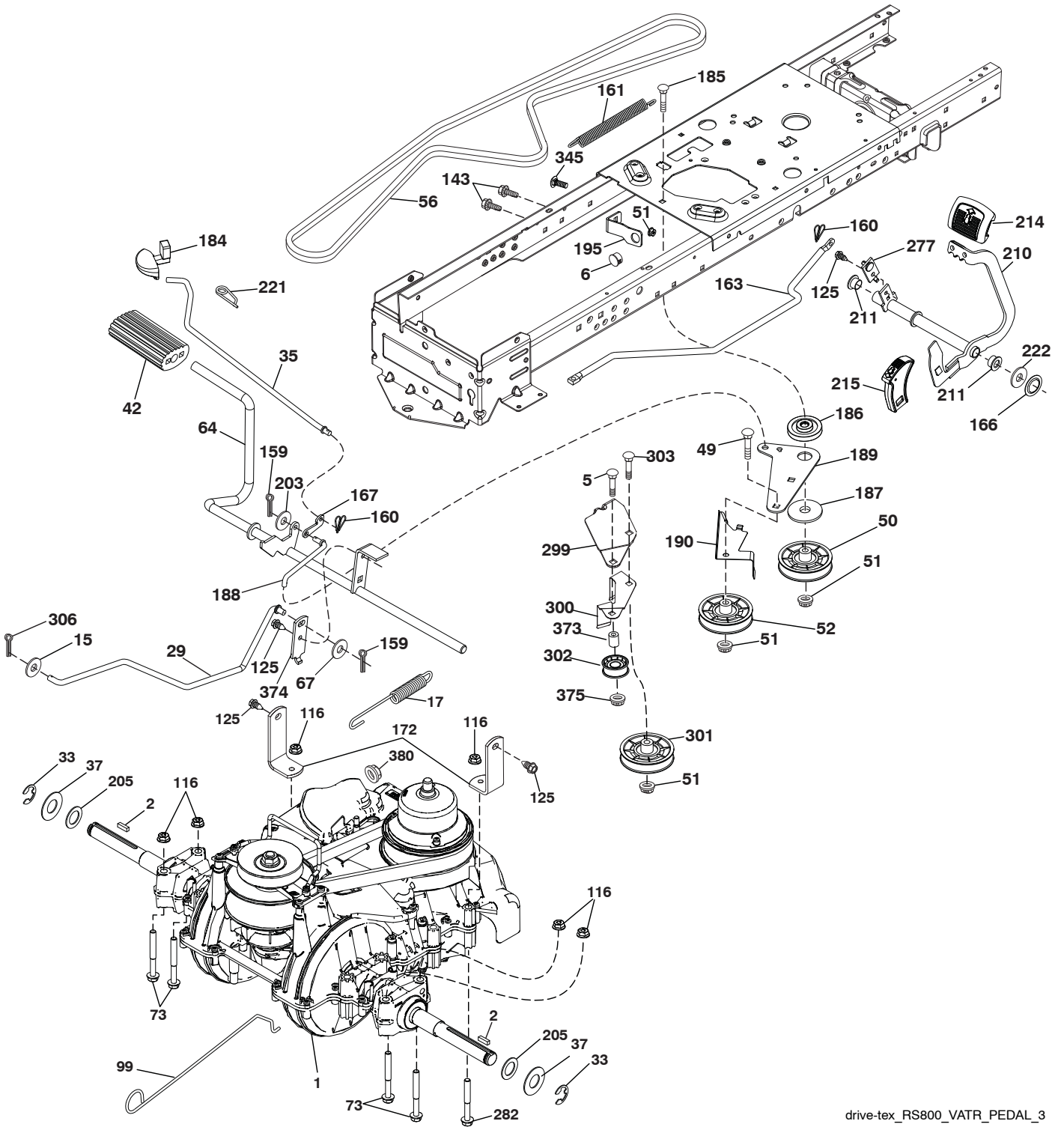
CHASSIS

KEY NO.	PART NO.	DESCRIPTION
5	580485903	Dash
14	580354404	Hood
15	580485601	Lens LH
18	580485301	Grille
25	580484501	Lens RH
34	580910801	Plate Engine
35	19111116	Washer 11/32 x 11/16 x 16 Ga.
36	17060512	Screw 5/16-18 x 3/4
37	414879X428	Fender
52	73680500	Nut Crown lock 5/16-18
58	412280	Drawbar Upper
68	17490508	Screw Thdrol 5/16-18 x 1/2
102	4497H	Retainer Spring 1"
130	416358	Screw # 10 x .750 BOS Thread
137	407590	Bumper Dash
138	193224X428	Cupholder
150	580485503	Duct Heat Hood
151	580663302	Bracket Pivot
152	199535	Shield Browning/Debris
159	17000612	Screw Hexwsh Thdrol 3/8-16 x 3/4
162	142432	Screw Hex Wsh Hi-Lo 1/4 x 1/2
175	196304	Crossmember
176	400776	Screw 10-24 x 5/8 Wshd Qdrx
177	195228	Bushing Steering
180	415063	Chassis
181	193102X428	Bushing Mtg. Fender Crgo.
182	586738602	Dash Lower
183	74520520	Bolt 5/16-18 x 1-1/4
189	17000512	Screw 5/16-18 x 3/4
191	580485101	Mylar Headlight RH
194	73900500	Nut Lock Hex Flange 5/16-18
195	401556X428	Plug Hole Dash 12V Adapter
196	431658	Console Asm. Deck Lift
202	580485002	C-Closeout Lwr Trm RH
203	580484802	C-Closeout Lwr Trm LH
205	580843707	Assembly Corner RH
206	580843807	Assembly Corner LH
213	74760512	Bolt hex HD 5/16-18 unc x 3/4
218	580897301	Pivot Hood Assy
228	580897302	Stud Fastener
235	406129	Spacer Fender
236	73930500	Nut Center Lock 5/16-18
287	17600406	Screw Hex Washhead 1/4-20 x 3/8
297	580484901	Mylar Headlights LH
298	580851001	Nut Push
335	580484602	C-Side Closeout RH
336	580484402	C-Side Closeout LH
350	445143	Clip X-Mass Tree
363	580724501	Cap Talon Grille
364	17060408	Screw
- - -	404951X428	Plug Dash SRVMNDR

NOTE: All component dimensions given in U.S. inches
1 inch = 25.4 mm

TRACTOR - - MODEL NUMBER 944.100490

DRIVE



drive-tex_RS800_VATR_PEDAL_3

TRACTOR - - MODEL NUMBER 944.100490

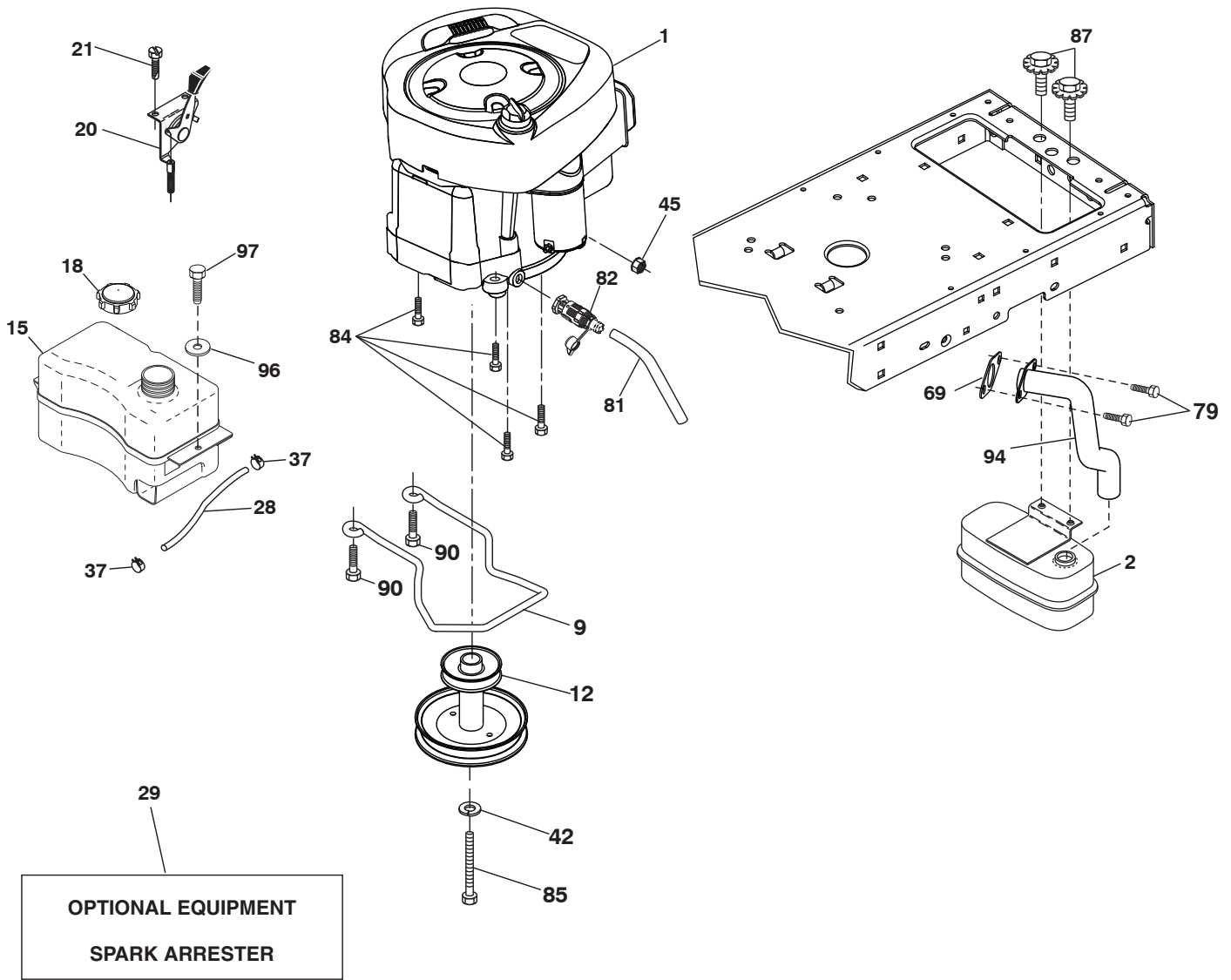
DRIVE

KEY NO.	PART NO.	DESCRIPTION	KEY NO.	PART NO.	DESCRIPTION
1	---	Transaxle, Variator SD Pedal (590277501) (See transaxle breakdown.)	185	72110622	Bolt Rdhd 3/8-16 unc x 2-3/4 Gr.5
			186	194321	Spacer Retainer
2	123583X	Key Square	187	19133210	Washer 13/32 x 2 x 10 Ga.
5	74760636	Bolt Hex HS 3/8-16 unc	188	582217001	Link Clutch Ground Drive, Long
6	124028X	Bushing Snap	189	194317	Bellcrank Groundrive Nstg/Nstl
15	19131316	Washer 13/32 x 13/16 x 16 Ga.	190	194318	Keeper Bellcrank Drive Ground
17	501487101	Spring Brake	195	581504601	Brake Bracket
29	584823101	Rod Brake	203	19111116	Washer 11/32 x 11/16 x 16 Ga.
33	12000001	E-Ring	205	121748X	Washer 25/32 x 1-5/8 x 16 Ga.
35	583864501	Rod Brake Parking	210	588921001	Weldment Pedal
37	188967	Washer Harden .793 x 1.637 x 060	211	120183X	Bearing Nylon
42	8883R	Cover Pedal Blk Round	214	421263	Pedal Forward Pad
49	72110614	Bolt Rdhd 3/8-16 unc x1-3/4 Gr.5	215	448254	Cap Pedal Reverse
50	194327	Idler.Flat	221	403187	Retainer Spring Clip Handle
51	73900600	Nut Hex Flangelock 3/8-16	222	79212010	Washer 21/32 x 1-1/4 10 Ga.
52	194326	Idler V-Groove Offset	277	448500	Subasm Link Rocker Pedal
56	197253	Belt Drive	282	74490548	Screw Thdrol 5/16-18 x 3
64	448353	Shaft Asm. Pedal Brake	299	415683	Bracket Mount Idler
67	582580101	Washer Nylon 13/32 x 13/16 x .109	300	415681	Keeper Idler Rear
73	74490544	Bolt Hex Flghd 5/16-18 Gr. 5	301	415680	Pulley Idler V-Groove
99	435935	Rod Bypass	302	581420501	Pulley Idler Flat 2.0 Od
116	73900500	Nut Lock Hex Flange 5/16-18 unc	303	72110618	Bolt Rdhd Sgnk 3/8-16 x 2-1/4
125	17000512	Screw 5/16-18 x 3/4 Smgml Tap/Bl	306	76020416	Cotter Pin
143	17490508	Screw Thdrol 5/16-18 x 1/2 Tytt	345	72110606	Bolt Rdhd Sgnk 3/8-16 x 1 Gr. 5
159	76020412	Pin Cotter 1/8 x 3/4	373	581461801	Spacer Idler
160	169484	Retainer Clip(M) Dia. 290	374	581475201	Bracket Brake Arm
161	105709X	Spring Return Clutch 6.75	375	73680600	Nut Crownlock 3/8-16 unc
163	587847901	Rod Control Pedal	380	582478601	Nut Flg Nylock 1/4-20 Gr G ZY
166	429164	Nut Push .625			
167	405257	Latch Brake Parking			
172	583974201	Strap Torque LH/RH			
184	196439X428	Handle Parking Brake			

NOTE: All component dimensions given in U.S. inches
1 inch = 25.4 mm

TRACTOR - - MODEL NUMBER 944.100490

ENGINE



engine-tex_BS_135

TRACTOR - - MODEL NUMBER 944.100490

ENGINE

KEY NO.	PART NO.	DESCRIPTION
1	-----	Engine B&S Model No. 33R777-0005-G1 (586306801) (See engine breakdown.)
2	446760	Muffler
9	582540302	Keeper Belt Engine
12	586729001	Pulley Engine
15	581290101	Tank Fuel
18	430220	Cap Asm. Fuel
20	176636X428	Control Throttle/Choke
21	416358	Screw 10 x .750 BOS Thread
28	401137	Fuel Line
29	137180	Spark Arrester Kit
37	123487X	Clamp Hose
42	539990247	Washer Lock 7/16
45	73510400	Nut Keps Hex 1/4-20 unc
69	165291	Gasket
79	192334	Screw 5/16-18 x .75
81	148456	Tube, Drain
82	428287	Oil Drain
84	17060620	Screw 3/8-16 x 1-1/4
85	501606501	Bolt Hex 7/16-20 x 4 x Gr. 5-1.5
87	171877	Bolt 5/16-18 unc x 3/4 w/Sems
90	17000616	Screw 3/8-16 x 1.0
94	581880901	Exhaust Tube
96	19091416	Washer 9/32 x 7/8 x 16 Ga.
97	17670412	Screw 1/4-20 x 3/4

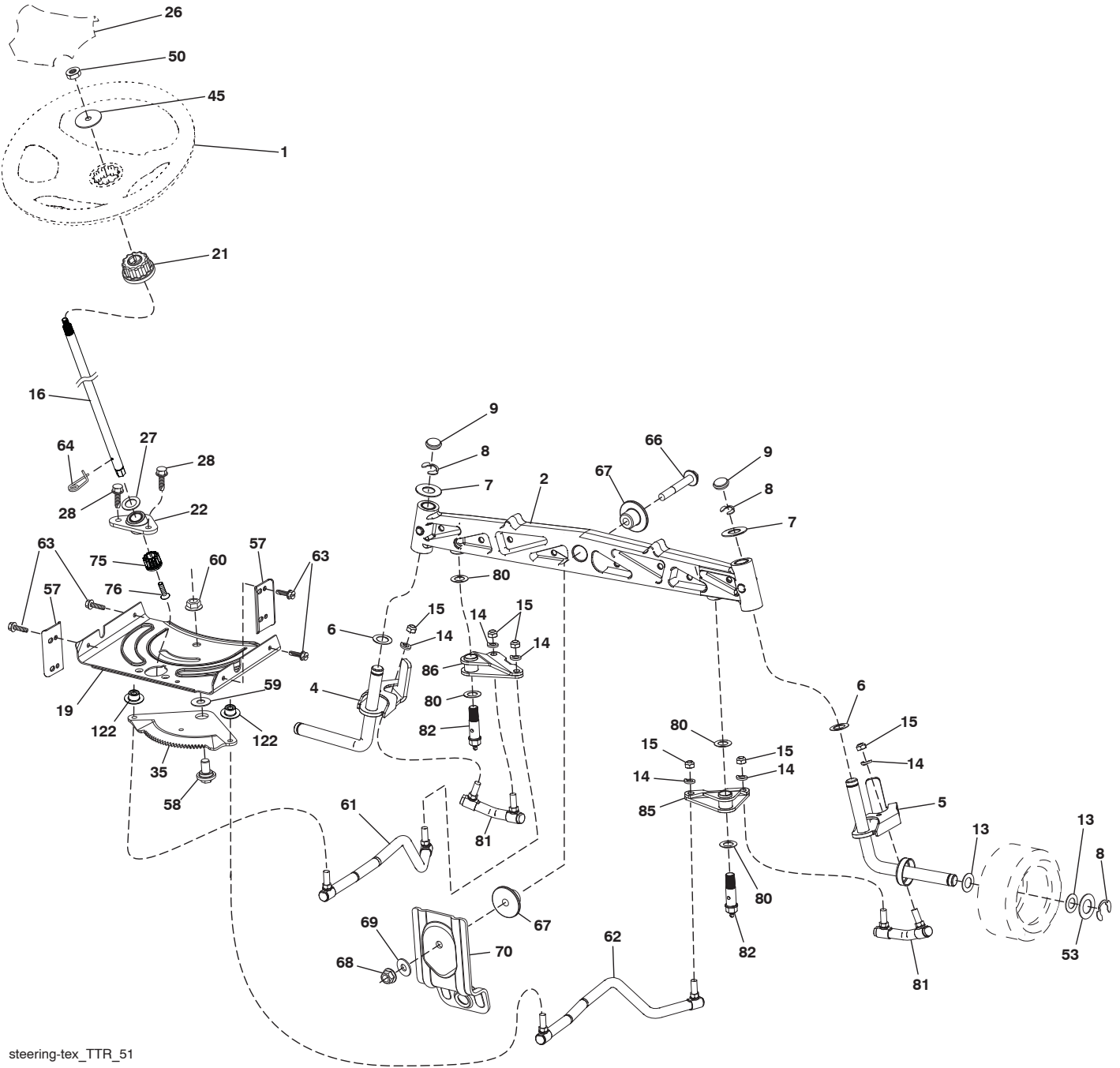
NOTE: All component dimensions given in U.S. inches
1 inch = 25.4 mm

Engine Power Rating Information

The gross power rating for individual gas engine models is labeled in accordance with SAE (Society of Automotive Engineers) code J1940 (Small Engine Power & Torque Rating Procedure), and rating performance has been obtained and corrected in accordance with SAE J1995 (Revision 2002-05). Torque values are derived at 3060 RPM; horsepower values are derived at 3600 RPM. Actual gross engine power will be lower and is affected by, among other things, ambient operating conditions and engine-to-engine variability. Given both the wide array of products on which engines are placed and the variety of environmental issues applicable to operating the equipment, the gas engine will not develop the rated gross power when used in a given piece of power equipment (actual "on-site" or net power). This difference is due to a variety of factors including, but not limited to, accessories (air cleaner, exhaust, charging, cooling, carburetor, fuel pump, etc.), application limitations, ambient operating conditions (temperature, humidity, altitude), and engine-to-engine variability. Due to manufacturing and capacity limitations, Briggs & Stratton may substitute an engine of higher rated power for this Series engine.

TRACTOR - - MODEL NUMBER 944.100490

STEERING ASSEMBLY



steering-tex_TTR_51

TRACTOR - - MODEL NUMBER 944.100490

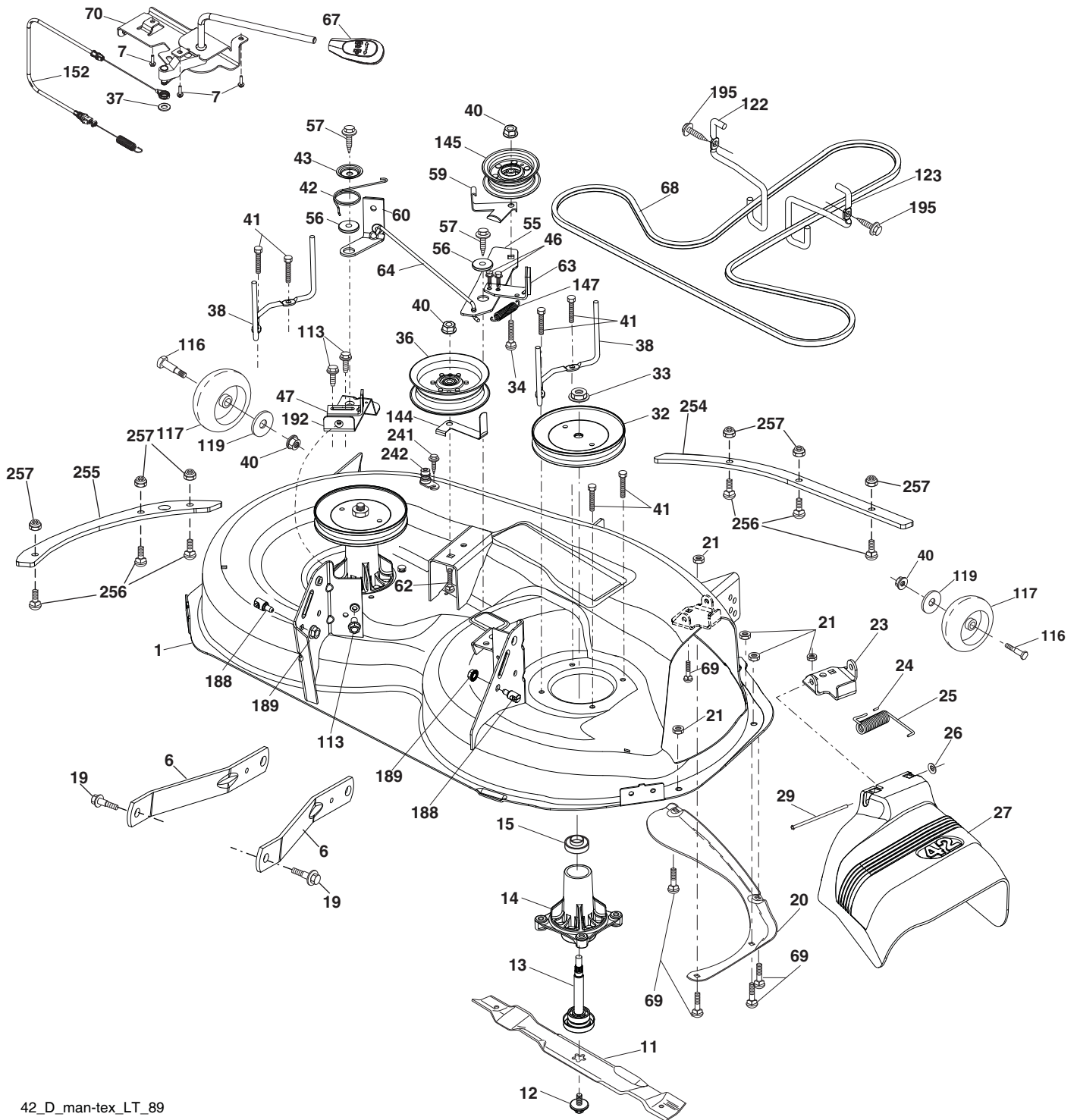
STEERING ASSEMBLY

KEY NO.	PART NO.	DESCRIPTION
1	414803X428	Wheel, Steering
2	436870	Axle Asm., Front
4	436873	Spindle Asm., LH
5	436874	Spindle Asm., RH
6	6266H	Washer Thrust
7	121748X	Washer 25/32 x 1-5/8 x 16 Ga.
8	12000029	Ring, Klip #T5304-75
9	184946X667	Cap, Spindle
13	121749X	Washer 25/32 x 1-1/4 x 16 Ga.
14	539990118	Washer, Lock Hvy Hlcl Spr 3/8
15	73540600	Nut, Crown Lock 3/8-24 unf
16	587016002	Shaft Steering
19	194729	Plate Steering
21	586840201	Adapter, Wheel Steering Splnd Alum
22	585029901	Bearing Subasm Shaft Steer Low
26	414852X428	Insert, Wheel Steering
27	19211616	Washer 21/32 x 1 x 16 Ga.
28	17000612	Screw 3/8-16 x 3/4
35	440770	Gear, Sector Plate
45	587016401	Washer 3/8 ID 2-3/8OD 12 Ga.
50	73900600	Nut Lock Flg. 3/8-16 unc
53	188967	Washer Hardened .793 x 1.637 x .060
57	407465	Bracket Upstop
58	194747	Bolt Shoulder Sector Pivot CFM
59	194748	Washer Thrust Sector Steering
60	73971000	Nut Flange Lock 5/8-11
61	436884	Draglink LH
62	436885	Draglink, RH
63	17000512	Screw 5/16-18 x 3/4
64	199849	Retainer Clip Spring Steering
66	71020748	Bolt Hex Fghd 7/16-14 x 3 Serr
67	194737	Bushing PM Front Axle
68	73900700	Nut Lock Flange 7/16-14 Gr. 5
69	199162	Washer 1.5 x .505 x .118
70	585338801	Bracket Deck Susp. Front
75	580683701	Pinion
76	580683601	Screw Head Sock
80	1370H	Washer
81	436887	Link RH
82	442147	Pivot Bolt
85	441873	Pivot RH
86	441872	Pivot LH
122	444962	Cap Gear

NOTE: All component dimensions given in U.S. inches
1 inch = 25.4 mm

TRACTOR - - MODEL NUMBER 944.100490

MOWER DECK



42_D_man-tex_LT_89

TRACTOR - - MODEL NUMBER 944.100490

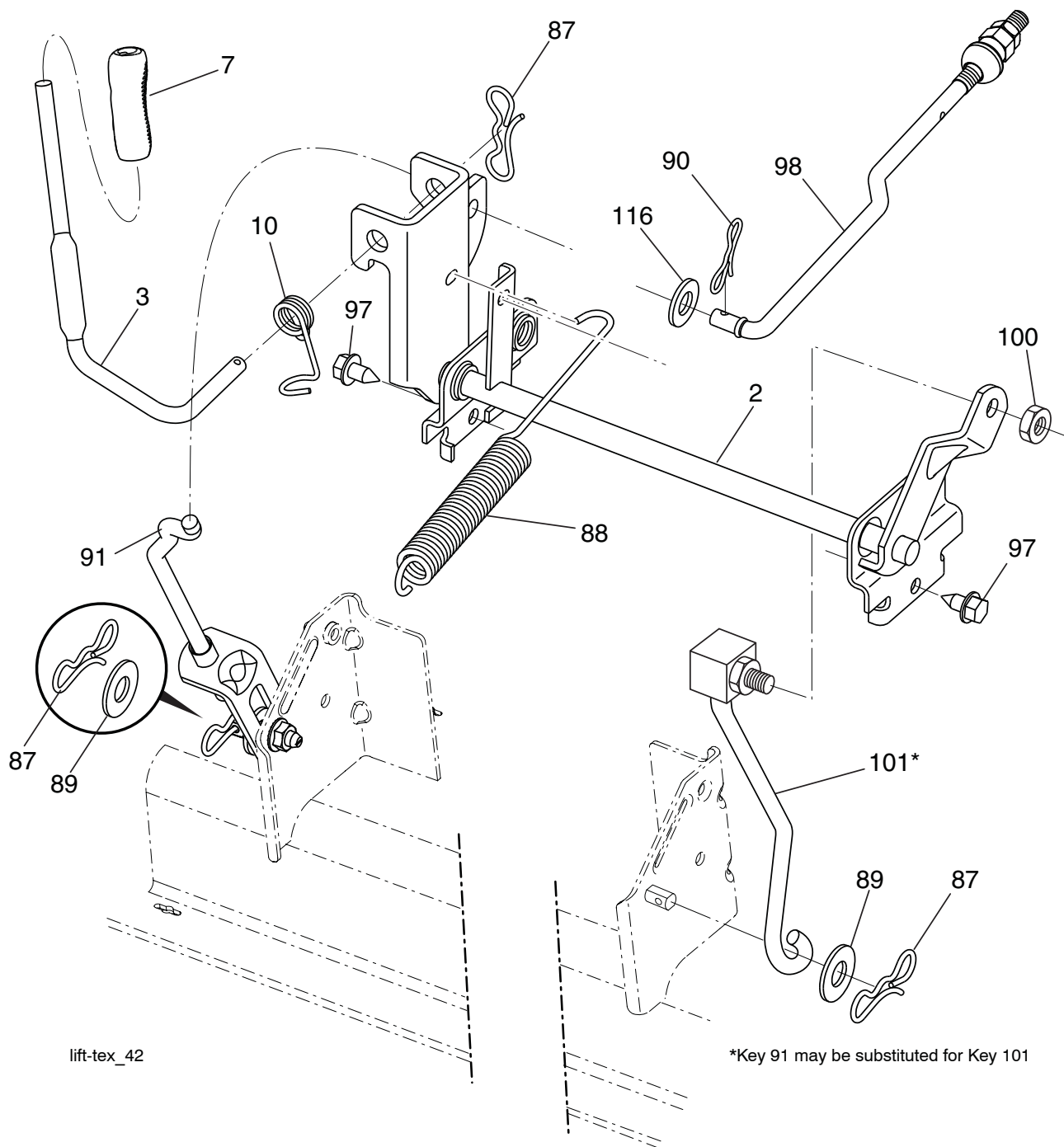
MOWER DECK

KEY NO.	PART NO.	DESCRIPTION	KEY NO.	PART NO.	DESCRIPTION
1	196495	Mower Housing	67	198398X667	Handle, Clutch Cable
6	195186	Arm Suspension	68	429636	V-Belt
7	416358	Screw 10 x .750 BOS Thread	69	72140505	Bolt Rdhd Sqnk 5/16-18 x 5/8
11	424752	Blade, 3N1 Premium (For bagging or discharge)	70	199972	Clutch Asm. Manual
12	584309301	Screw Sems 7/16-20 x 1 Hex Hd.	113	17000510	Screw 5/16-18
13	587256501	Shaft Assembly, Mandrel	116	4898H	Bolt, Shoulder
14	187281	Housing, Mandrel	117	188606	Wheel, Gauge
15	585323901	Bearing, Mandrel	119	19121414	Washer 13/32 x 7/8 x 14 Ga.
19	196539	Bolt, Shoulder	122	197258	Keeper Belt Eng. LH
20	159770	Baffle, Vortex	123	197259	Keeper Belt Eng. RH
21	73680500	Nut, Crownlock 5/16-18 unc	144	199204	Keeper Belt
23	192557	Bracket, Deflector	145	193197	Pulley, Idler, Flat
24	105304X	Cap, Sleeve	147	401971	Spring Return
25	197026	Spring, Torsion, Deflector	152	584243501	Cable Clutch Manual w/Spr.
26	110452X	Nut, Push	188	195161	Stud Fastener
27	424469	Shield, Deflector	189	73900500	Nut Lock Hex Flange
29	131491	Rod, Hinge	192	197260	Bracket Brake Stand LH
32	197473	Pulley, Mandrel	195	17000612	Screw Hexwsh Thdr 3/8-16 x 3/4
33	400234	Nut, Toplock, Flanged	241	152927	Screw
34	72110612	Bolt Carr Sh. 3/8-16 x 1-1/2 Gr. 5	242	415598	Washout Port
36	197379	Pulley Idler	254	585316805	Plate Reinforcement Front
37	19131316	Washer 13/32 x 13/16 x 16 Ga.	255	585317005	Plate Reinforcement Side
38	432520	Keeper Belt LH Mandrel	256	539109800	Carriage Bolt 1/4-20 x 1 Gr. 5
40	73900600	Nut, Lock Flg. 3/8-16 unc	257	73900400	Nut Hx Flg 1/4-20 unc
41	584953901	Bolt Hex Wshrdh 3/8-18 x 1.19	--	416405	Quick Connect Coupling
42	198410	Spring Torsion Brake	--	590142501	Replacement Mower, Complete
43	197256	Spring Torsion Retainer	--	587253301	Mandrel Assembly (Includes housing (key #14), shaft assembly (key #13), and bearing (key #15) only - pulley/nut/washer and blade bolt/washers not included)
46	137729	Screw Thd Roll 1/4-20 x 5/8			
47	197250	Bracket Clutch Cable			
55	437110	Arm, Idler			
56	199092	Spacer, Retainer			
57	17000616	Screw Hexwsh Thd 3/8-16 x 1			
59	141043	Guard, Tuv Idler (94)			
60	197261	Arm Brake Mower			
62	72110616	Bolt Rdhd Sqnk 3/8-16 unc x 2			
63	199477	Arm Brake Mower			
64	199790	Linkage Brake			

NOTE: All component dimensions given in U.S. inches
1 inch = 25.4 mm

TRACTOR - - MODEL NUMBER 944.100490

MOWER LIFT



KEY PART NO. NO.

KEY NO.	PART NO.	DESCRIPTION
2	422027	Shaft Asm., Lift
3	426896	Lift Multiposition
7	445060X428	Grip, Lever
10	196314	Spring Torsion
87	194209	Pin Cotter 7/16 Bow Tie Lock
88	410710	Spring Lift Assist
89	19191912	Washer Clear Zinc
90	194208	Pin Cotter 5/16 Bow Tie Lock
91	197984	Link Lift Susp Mower Rear

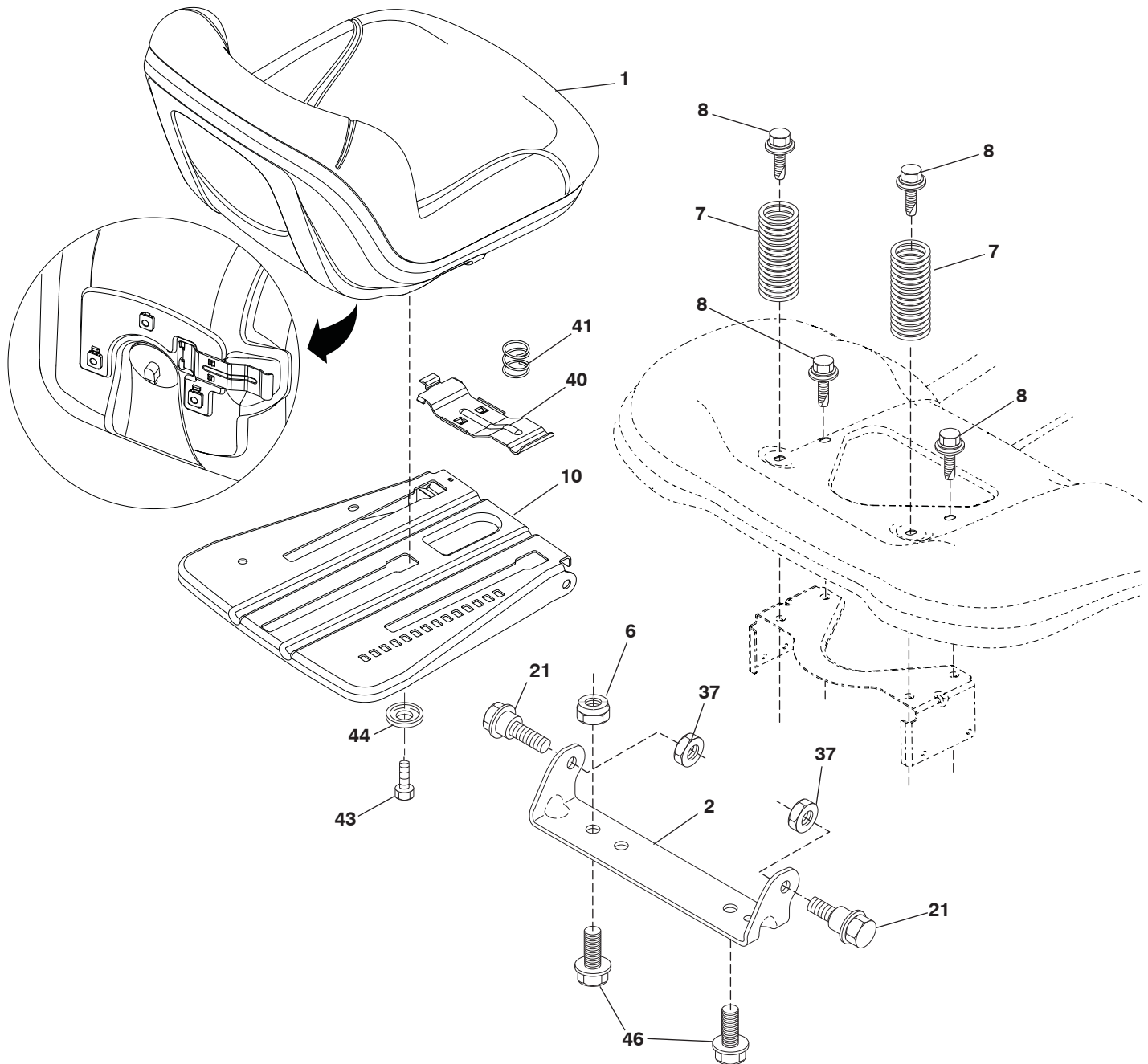
KEY PART NO. NO.

KEY NO.	PART NO.	DESCRIPTION
97	17000612	Screw 3/8-16 x .75
98	420525	Link Lift Susp. Front Mower
100	73930600	Nut Centerlock 3/8-16 unc
101	581506501	Link Asm Lift Fxd
116	19151516	Washer 15/32 x 15/16 x 16 Ga.

NOTE: All component dimensions given in U.S. inches
1 inch = 25.4 mm

TRACTOR - - MODEL NUMBER 944.100490

SEAT ASSEMBLY



seat-tex_6.5SL_14

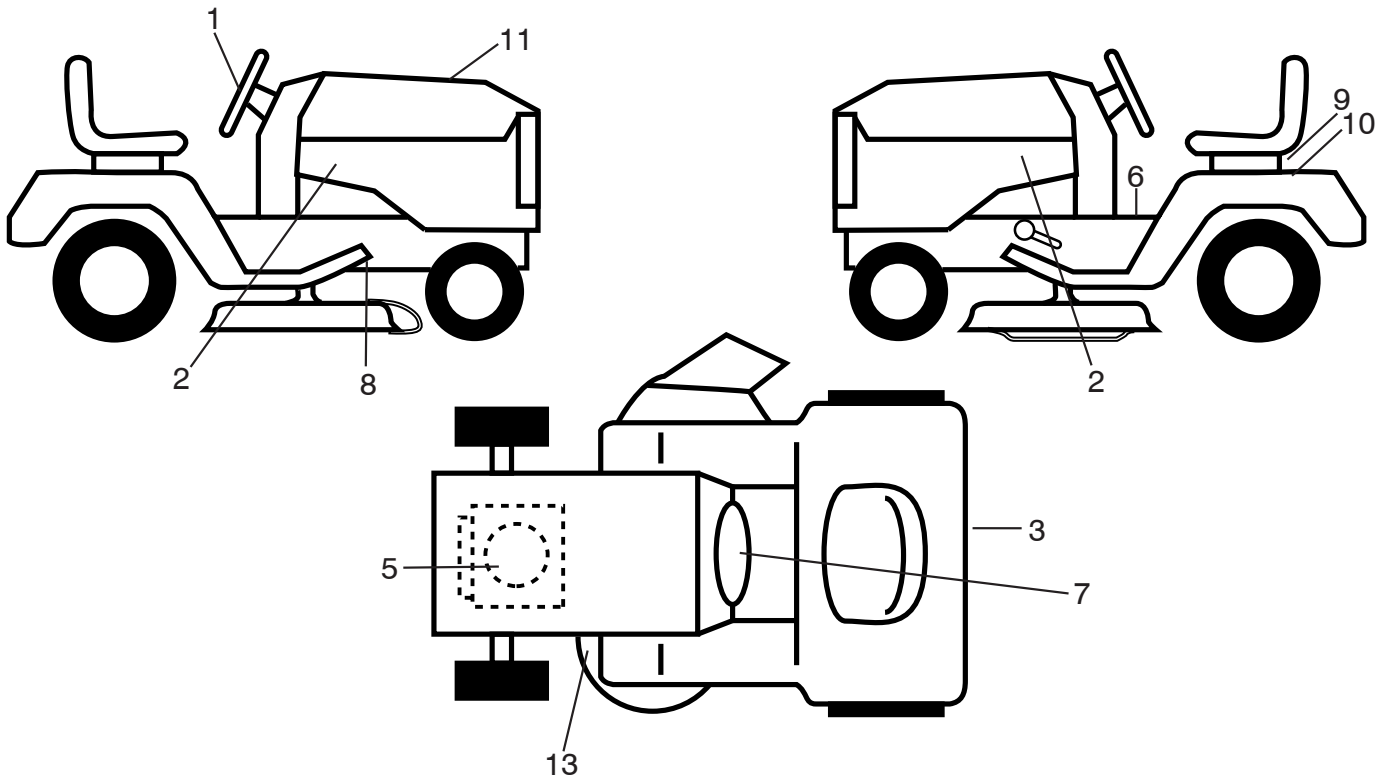
KEY PART NO.	PART NO.	DESCRIPTION
1	197520	Seat
2	180166	Bracket Pivot Fender
6	73800600	Nut, Lock W/Ins. 3/8-16 unc
7	589483501	Spring, Seat Cprsn
8	171877	Bolt 5/16-18 unc x 3/4 w/Sems
10	587232002	Pan, Seat
21	587907801	Bolt, Shoulder 5/16-18 x 5/8
37	73800500	Nut, Lock 5/16-18 unc

KEY PART NO.	PART NO.	DESCRIPTION
40	197661	Handle Slide Seat
41	198200	Spring Latch Seat
43	74760612	Bolt 3/8-16 x 3/4
44	501051801	Washer Winged 3/8 ID 1.5 OD.
46	588090401	Bolt 3/8-16 x 1 x 1.25 OD Wshr

NOTE: All component dimensions given in U.S. inches
1 inch = 25.4 mm

TRACTOR - - MODEL NUMBER 944.100490

DECALS



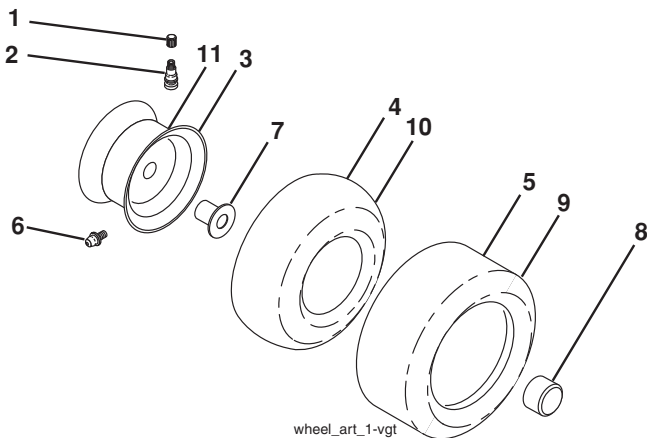
KEY PART NO. NO.

KEY PART NO.	NO.	DESCRIPTION
1	581894601	Decal, Steering
2	585767601	Decal, Hood
3	587390301	Decal, Fender
5	586620801	Decal, Engine HP
6	581579001	Decal, Fender Warning
7	581579901	Decal, Warn Spark Ing.
8	421534	Decal, V-Belt Schematic Drive
9	448709	Decal, Battery Warning
10	149517	Decal, Battery
11	586620901	Decal, Replacement

KEY PART NO. NO.

KEY PART NO.	NO.	DESCRIPTION
13	581580001	Decal, Mower V-Belt SCH.
15	584904601	Decal, Deck/Deflect Warning
--	193226X428	Pad, Footrest LH
--	400981X428	Pad, Footrest RH
--	581724801	Decal, Bypass
--	115873224	Manual Operator's (English/French)
--	115873324	Manual Parts (English/French)

WHEELS AND TIRES

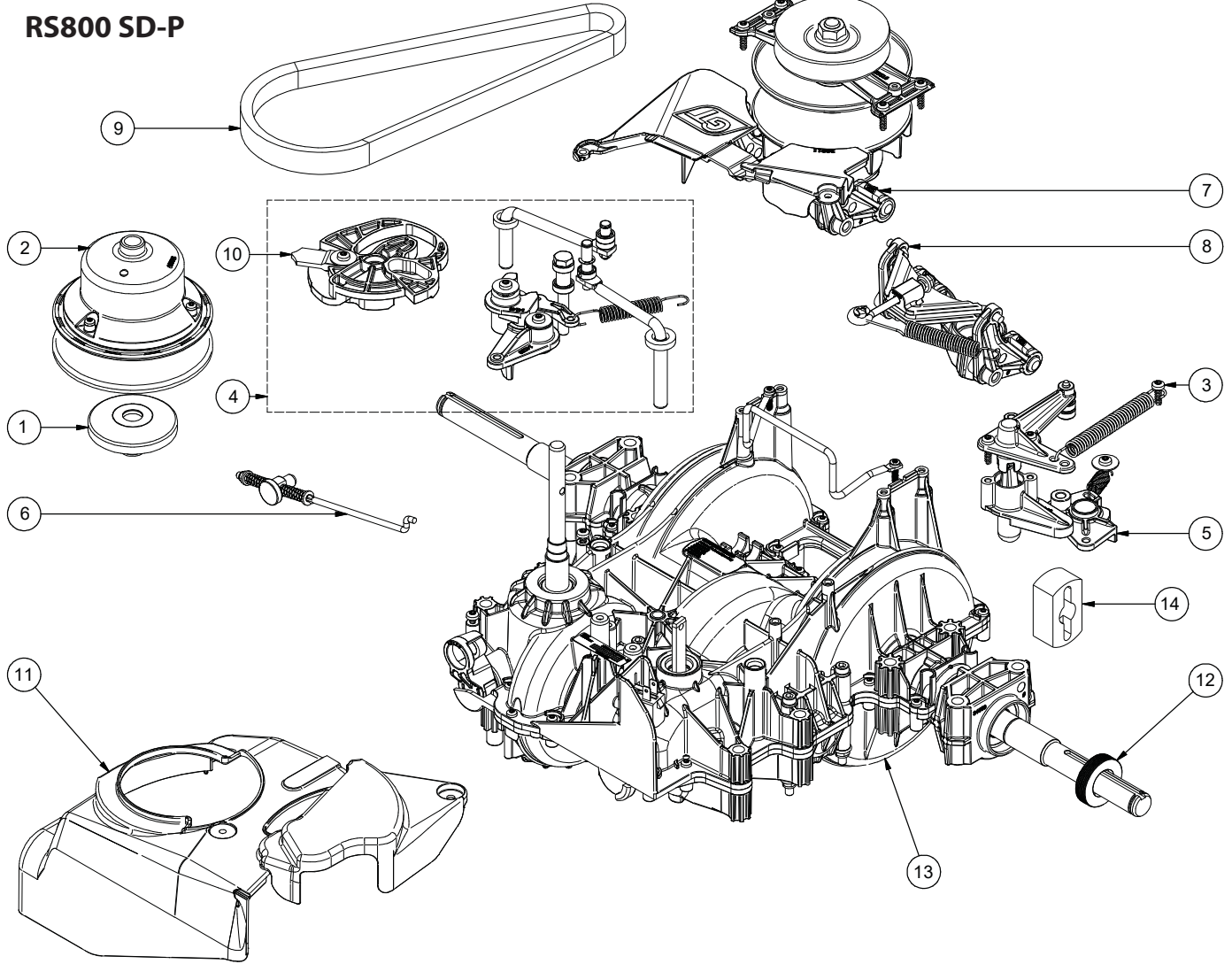


KEY PART NO. NO.

KEY PART NO.	NO.	DESCRIPTION
1	59192	Cap, Valve, Tire
2	65139	Stem, Valve
3	106732X613	Rim Assembly, Front
4	59904	Tube, Front
5	106222X	Tire, Front 15 x 6-6
6	278H	Fitting, Grease
7	9040H	Bearing, Flange
8	104757X428	Cap, Axle
9	138468	Tire, Rear 20 x 8-8
10	7152J	Tube, Rear
11	106108X613	Rim Assembly, Rear
--	144334	Sealant, Tire (10 oz. Tube)

NOTE: All component dimensions given in U.S. inches
1 inch = 25.4 mm

**TRACTOR - - MODEL NUMBER 944.100490
GENTRANS TRANSAXLE - MODEL NUMBER (RS800 SD-P) 587884401**



KEY NO.	PART NO.	DESCRIPTION
1	587291101	Inversion Security System
2	587086701	Driven Kit
3	587291301	Brake Kit
4	587086702	Control Kit
5	587291401	Bypass Kit
6	587291402	Inversion Kit
7	589668301	Anti-Debris Kit
8	590097101	Variation Kit
9	587086101	Variation Belt
10	587086302	Rotating Cam

KEY NO.	PART NO.	DESCRIPTION
11	587291601	Cover
12	590100301	Output Seals
13	587884401	RS800 SD-P
14	587086501	Driven Tool
--	587086901	RS800 Hardware Kit

NOTE: All component dimensions given in U.S. inches
1 inch = 25.4 mm

TRACTOR - - MODEL NUMBER 944.100490

BRIGGS ENGINE - MODEL NUMBER 33R777, TYPE NUMBER 0005-G1

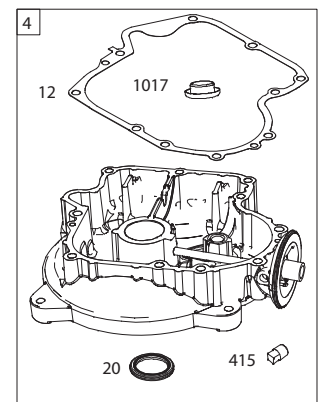
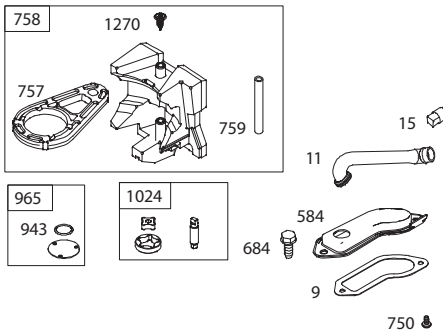
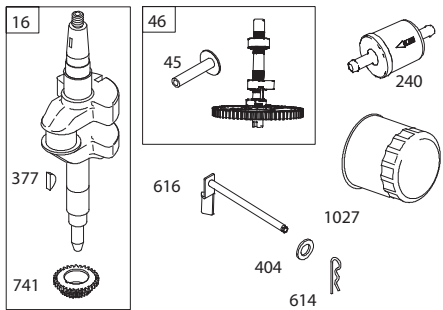
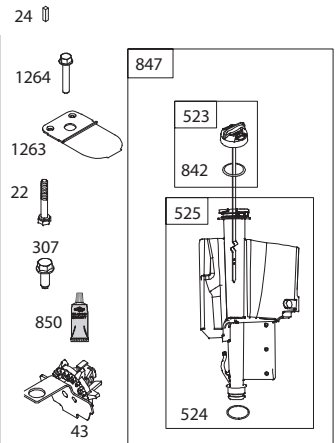
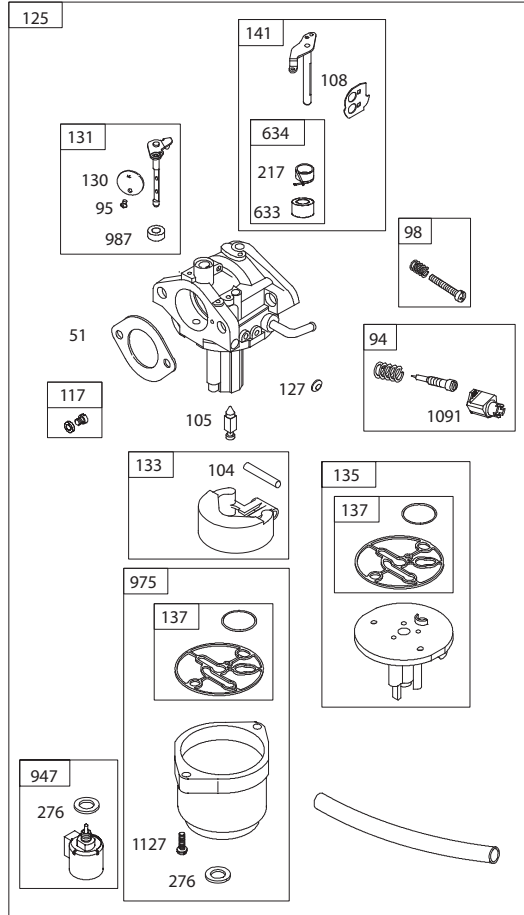
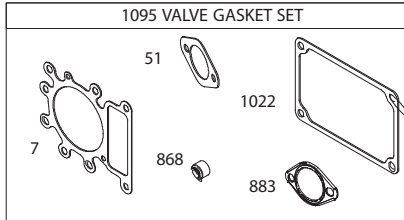
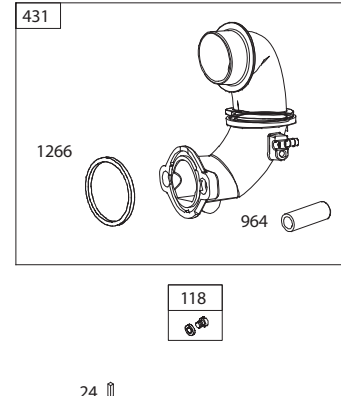
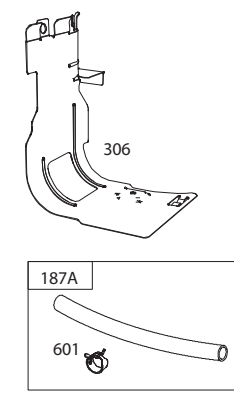
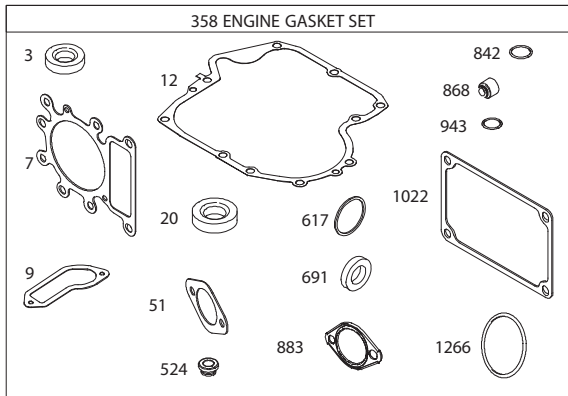
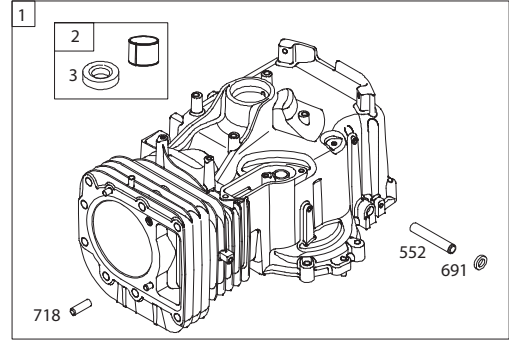
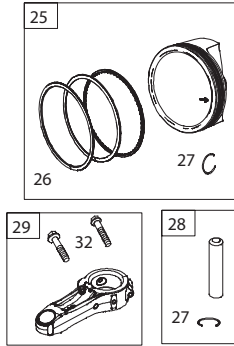
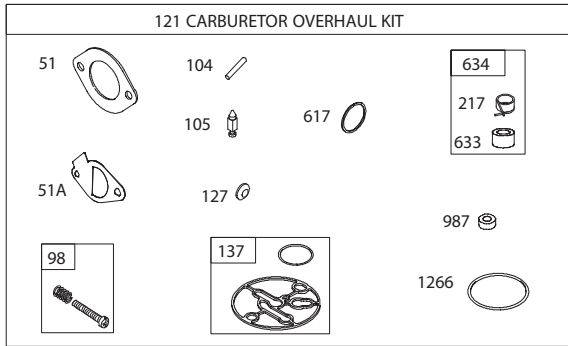
48 SHORT BLOCK

1036 EMISSIONS LABEL

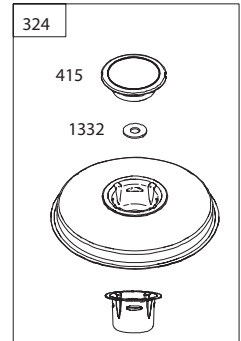
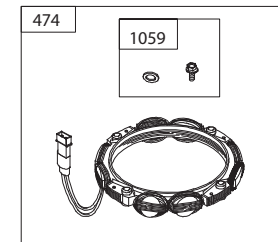
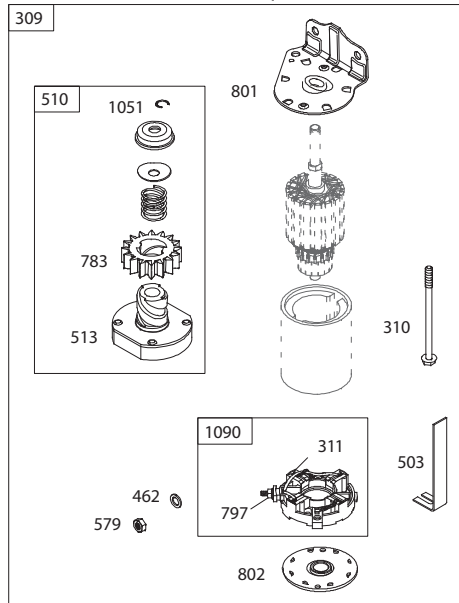
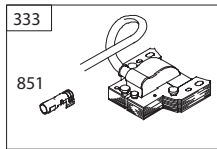
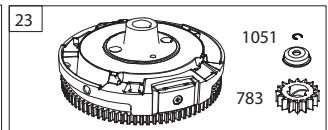
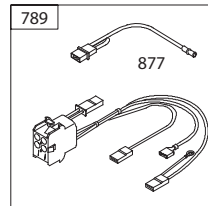
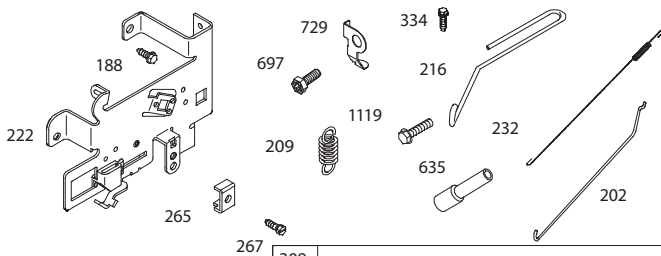
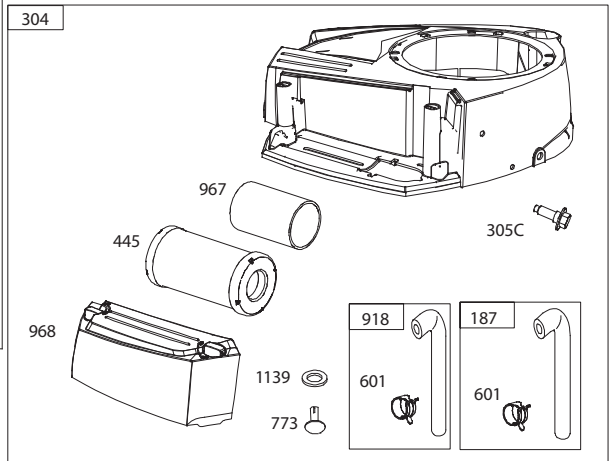
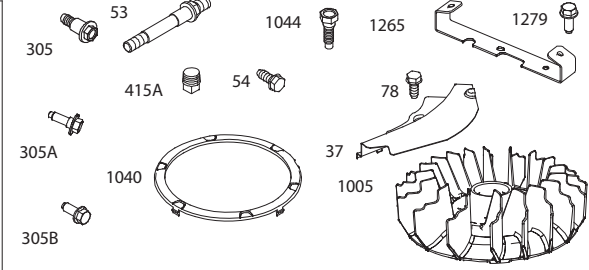
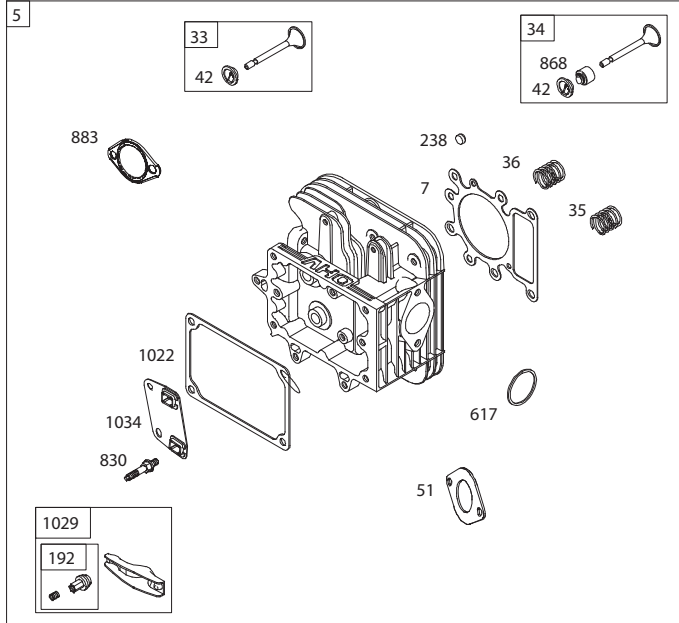
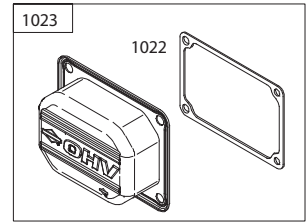
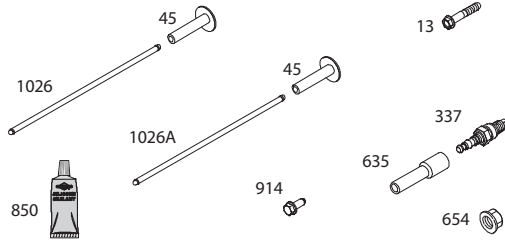
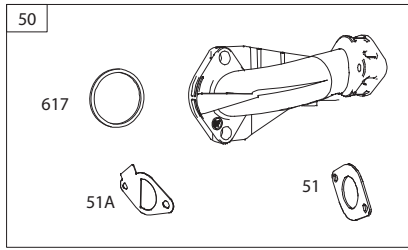
1058 OPERATOR'S MANUAL

1329 REPLACEMENT ENGINE

1330 REPAIR MANUAL



TRACTOR - - MODEL NUMBER 944.100490
BRIGGS ENGINE - MODEL NUMBER 33R777, TYPE NUMBER 0005-G1



TRACTOR - - MODEL NUMBER 944.100490
BRIGGS ENGINE - MODEL NUMBER 33R777, TYPE NUMBER 0005-G1

KEY NO.	PART NO.	DESCRIPTION	KEY NO.	PART NO.	DESCRIPTION
1	591465	Cylinder Assembly	187	791805	Line-Fuel (Formed)
2	797673	Kit-Bushing/Seal	187A	791766	Line-Fuel (Cut to Required Length)
3	391086s	Seal-Oil (Magneto Side)	188	691693	Screw (Control Bracket)
4	592849	Sump-Engine	192	691986	Adjuster-Rocker Arm
5	591750	Head-Cylinder	202	691841	Link-Mechanical Governor
7	794114	Gasket-Cylinder Head	209	796260	Spring-Governor (Green)
9	697109	Gasket-Breather	216	691840	Link-Choke
11	794683	Tube-Breather	217	695409	Spring-Choke Return
12	697110	Gasket-Crankcase	222	694042	Bracket-Control
13	592244	Screw (Cylinder Head)	227	691374	Lever-Governor Control
15	690946	Plug-Oil Drain	232	691842	Spring-Governor Link
16	591762	Crankshaft	238	691843	Cap-Valve
20	795387	Seal-Oil (PTO Side)	240	394358s	Filter-Fuel
22	692125	Screw (Crankcase Cover/Sump)	265	691024	Clamp-Casing
23	591759	Flywheel	267	794904	Screw (Casing Clamp)
24	591757	Key-Flywheel (Steel)	276	695410	Washer-Sealing
25	795858	Piston Assembly (Standard)	304	592814	Housing-Blower
	795877	Piston Assembly (.020" Oversize)	305	697102	Screw (Blower Housing)
26	794126	Ring Set (Standard)			(1/4-20x1.21)
	794127	Ring Set (.020" Oversize)	305A	793376	Screw (Blower Housing)
27	698469	Lock-Piston Pin			(1/4-20x.68)
28	795861	Pin-Piston	305B	795891	Screw (Blower Housing)
29	794122	Rod-Connecting			(#10-16x.43)
32	791118	Screw (Connecting Rod)	305C	799370	Screw (Blower Housing)
33	591752	Valve-Exhaust			(1/4-20x.90)
34	591751	Valve-Intake	306	794953	Shield-Cylinder
35	691279	Spring-Valve (Intake)	307	691693	Screw (Cylinder Shield)
36	691279	Spring-Valve (Exhaust)	309	693551	Motor-Starter
37	699882	Guard-Flywheel	310	690323	Screw (Starter Motor)
42	499586	Keeper-Valve	311	497608	Brush Set
43	691968	Slinger-Governor/Oil	324	796309	Screen/Cup Assembly
45	690564	Tappet-Valve	333	799650	Armature-Magneto
46	793880	Camshaft	334	691061	Screw (Magneto Armature)
48	N/A	Short Block (Not Available At This Printing)	337	792015	Plug-Spark
			358	796187	Gasket Set-Engine
50	592842	Manifold-Intake	377	691639	Key-Woodruff
51	692137	Gasket-Intake	404	691691	Washer (Governor Crank)
51A	796081	Gasket-Intake	415	794129	Plug (Cover/Retainer)
53	591260	Stud (Carburetor)	415A	794903	Plug (Intake Manifold)
54	691148	Screw (Intake Manifold)	431	799043	Elbow-Intake
78	691693	Screw (Flywheel Guard)	445	793569	Filter-Air Cleaner Cartridge
94	793610	Kit-Idle Mixture	462	691261	Washer (Starter Cable)
95	690718	Screw (Throttle Valve)	474	592831	Alternator
98	695408	Kit-Idle Speed	503	691532	Strap-Starter
104	694918	Pin-Float Hinge	505	691251	Nut (Governor Control Lever)
105	696136	Valve-Float Needle	510	693699	Drive-Starter
108	695419	Valve-Choke	513	692024	Clutch-Drive
117	796251	Jet-Main (Standard)	523	699908	Dipstick
118	791406	Jet-Main (High Altitude) (5000/9000 Feet)	524	691032	Seal-Dipstick Tube
			525	697184	Tube-Dipstick
121	796184	Kit-Carburetor Overhaul	552	697144	Bushing-Governor Crank
125	591736	Carburetor	562	691119	Screw (Governor Control Lever)
127	690727	Plug-Welch	579	691029	Nut (Starter Cable)
130	792747	Valve-Throttle	584	794682	Cover-Breather Passage
131	792765	Kit-Throttle Shaft	601	791850	Hose-Clamp (Green)
133	694914	Float-Carburetor	614	691620	Pin-Cotter (Governor Crank)
135	698780	Tube-Fuel Transfer	616	692012	Crank-Governor
137	698781	Gasket-Float Bowl	617	692138	Seal-O Ring (Intake Manifold)
141	592937	Kit-Choke Shaft			(Red)

TRACTOR - - MODEL NUMBER 944.100490
BRIGGS ENGINE - MODEL NUMBER 33R777, TYPE NUMBER 0005-G1

KEY NO.	PART NO.	DESCRIPTION	KEY NO.	PART NO.	DESCRIPTION
633	699813	Seal-Choke/Throttle (Choke Shaft)	1059	698516	Kit-Screw/Washer (Alternator)
634	698779	Spring/Seal Assembly	1090	691293	Retainer-Brush
635	691909	Boot-Spark Plug	1091	691333	Cap-Limiter
654	690958	Nut (Carburetor) (Serrated)	1095	794152	Gasket Set-Valve
684	697157	Screw (Breather Passage Cover)	1119	691183	Screw (Alternator)
691	692407	Seal-Governor Shaft	1127	695407	Screw (Float Bowl)
697	791680	Screw (Drive Cap)	1139	796449	Washer (Fuel Pump)
718	690959	Pin-Locating	1263	697124	Reed-Breather
729	691224	Clip-Wire	1264	697104	Screw (Breather Reed)
741	697128	Gear-Timing	1265	794151	Support-Blower Housing
750	790832	Screw (Oil Pump Cover)	1266	691917	Seal-O Ring (Intake Elbow) (Red)
757	793242	Link-Counterweight	1270	793243	Plug-AVS Counterweight
758	793763	Counterweight	1279	691108	Screw (Blower Housing Support)
759	697392	Pin-Counterweight	1329	N/A	Replacement Engine (Not Available At This Printing)
773	796448	Retainer (Fuel Pump)			
783	693713	Gear-Pinion	1330	N/A	Repair Manual (Not Available At This Printing)
789	698329	Harness-Wiring			
797	693167	Nut (Brush Retainer)	1332	591991	Washer (Rotating Screen)
801	691283	Cap-Drive			
802	691286	Cap-End			
830	691095	Stud-Rocker Arm			
842	691031	Seal-O Ring (Dipstick)			
847	790442	Dipstick/Tube Assembly			
850	100106	Sealant-Liquid			
851	692424	Terminal-Spark Plug			
868	690968	Seal-Valve			
877	790544	Wire/Connector-Alternator			
883	692236	Gasket-Exhaust			
914	691108	Screw (Rocker Cover)			
918	791744	Hose-Vacuum (Cut to Required Length)			
943	690589	Seal-O Ring (Oil Pump Cover)			
947	699915	Solenoid-Fuel			
964	799159	Cap-Connector			
965	499613	Cover-Oil Pump			
967	793685	Filter-Pre Cleaner			
968	591644	Cover-Air Cleaner			
975	699502	Bowl-Fuel			
987	698777	Seal-Throttle Shaft			
1005	796084	Fan-Flywheel			
1017	796981	Screen-Oil Pump			
1022	272475s	Gasket-Rocker Cover			
1023	797421	Cover-Rocker			
1024	794644	Pump-Oil			
1026	692003	Rod-Push (Intake) (Aluminum)			
1026A	692011	Rod-Push (Exhaust) (Steel)			
1027	492932s	Filter-Oil			
1029	691751	Arm-Rocker			
1034	690822	Guide-Push Rod			
1036		Label-Emissions (Available from a B&S Authorized Dealer)			
1040	698368	Plate-Trim			
1044	698139	Screw (Flywheel)			
1051	691265	Ring-Retaining			
1058	277675	Operator's Manual			

Carburetor Overhaul Kit Key No. 121
 Engine Gasket Set Key No. 358
 Valve Gasket Set Key No. 1095

NOTE: All component dimensions given in U.S. inches
 1 inch = 25.4 mm

GENERAL: Craftsman products are warranted to be free from defects in materials or workmanship for a specific time period as set-out below (the "Warranty Period"). Warranties extend to the original purchaser of a Craftsman product only. Purchases made through an online auction or through any website other than www.sears.ca are excluded. The relevant Warranty Period commences on the original date of purchase. Within this period, SEARS CANADA, Inc. will, at its sole option, repair or replace any products or components which fail in normal use. Such repairs or replacement will be made at no charge to the customer for parts or labor, provided that the customer shall be responsible for any transportation cost.

EXCLUSIONS: This warranty does not cover failures due to normal wear, abuse, misuse, neglect (including but not limited to the use of stale fuel, dirt, abrasives, moisture, rust, corrosion, or any adverse reaction due to improper storage or use habits), improper maintenance or failure to follow maintenance guidelines and/or instructions, failure to operate the product in accordance with the owner's manual or any additional instructions or information provided at the time of purchase or in subsequent communications with the original purchaser, accident or unauthorized alterations or repairs made or attempted by others. Also excluded from warranty coverage - except as provided below - are the following: maintenance, adjustments, components subject to wear including but not limited to: cosmetic components, belts, blades, blade adapters, bulbs, tires, filters, guide bars, lubricants, seats, grips, recoil assy's, saw chains and bars, trimmer lines and spools, spark plugs, starter ropes and tines, and discoloration resulting from ultraviolet light. Any product missing the model and/or serial number identification label will be disqualified from coverage under this warranty.

REPAIRS: Repairs have a 90 day warranty. If the defective product is still within the Warranty Period, then the new warranty is 90 days from the date of repair or to the end of the original Warranty Period, whichever period is longer.

DISCLAIMERS: THE WARRANTIES AND REMEDIES CONTAINED HEREIN ARE EXCLUSIVE AND IN LIEU OF ALL OTHER WARRANTIES, WHETHER ORAL OR WRITTEN (OTHER THAN AS STATED HEREIN), AND WHETHER EXPRESS, IMPLIED OR STATUTORY, INCLUDING BUT NOT LIMITED TO ANY. THIS WARRANTY GIVES YOU SPECIFIC LEGAL RIGHTS, WHICH MAY VARY FROM PROVINCE TO PROVINCE.

IN NO EVENT SHALL SEARS BE LIABLE FOR ANY INCIDENTAL, SPECIAL, INDIRECT OR CONSEQUENTIAL DAMAGES, WHETHER RESULTING FROM THE USE, MISUSE OR INABILITY TO USE THE PRODUCT OR FROM DEFECTS IN THE PRODUCT. THE EXCLUSIONS IN THIS PARAGRAPH SHALL NOT APPLY IN JURISDICTIONS WHERE APPLICABLE LAW DOES NOT ALLOW FOR THE EXCLUSION OF INCIDENTAL OR CONSEQUENTIAL DAMAGES. IN SUCH JURISDICTIONS, THIS PARAGRAPH SHALL NOT APPLY, BUT THE REMAINING PROVISIONS OF THIS DOCUMENT SHALL REMAIN VALID.

SEARS retains the exclusive right to repair or replace the product or offer a full refund of the purchase price at its sole discretion. SUCH REMEDY SHALL BE YOUR SOLE AND EXCLUSIVE REMEDY FOR ANY BREACH OF WARRANTY.

CUSTOMER RESPONSIBILITIES: In addition to complying with all suggested maintenance guidelines and instructions, customers' obligations shall include but shall not be limited to: operating the product in accordance with the owner's manual or any additional instructions or information provided at the time of purchase or in subsequent communications to the purchaser from time to time, exhibit reasonable care in the use, operation, maintenance, general upkeep and storage of the product. Failure to comply with these requirements will void any applicable warranty.

LIST OF APPLICABLE WARRANTY PERIODS: The following list contains the applicable Warranty Period for your Craftsman product and is based on a combination of the type of product or component and the intended and actual use of the product or component:

1. **90 DAYS:** Craftsman products intended for use or actually used for commercial, institutional, professional or income-producing purposes
2. **2 YEARS:** Craftsman riding lawn mowers, yard and garden tractors, walk behind mowers, tillers, brush cutters, snow blowers, handheld blowers, backpack blowers, hedge trimmers and electrical products for noncommercial, nonprofessional, non-institutional, or non-income-producing use, except for those components which are part of engine systems manufactured by third party engine manufacturers for which the purchase has received a separate warranty with product information supplied at the time of purchase.
3. **1 YEAR:** Craftsman power cutters, stump grinders, pole pruners, gas chain saws, electric chain saws, trimmer attachments, baggers and pole saws for noncommercial, nonprofessional, non-institutional, or non-income-producing use.
4. **90 DAYS:** All defective batteries, which will be replaced during this 90-day Warranty Period.
5. **60 DAYS:** Additional Warranty Period of 60 days will apply to adjustments and worn products or components BUT DOES NOT INCLUDE WEAR OR ADJUSTMENTS for products used for commercial, institutional, professional or income-producing purposes. Wear items include but are not limited to: belts, blades, tires, spark plugs, air filters, chains, shear bolts, skid plates, scraper bars, drift cutters, ropes, tines, collection bags and pulleys.

As the Warranty Period runs from the date of purchase and NOT from the date that a product is delivered, opened, assembled or first used, please ensure during this time period that your product or component has been assembled and tested for correction operation regardless of when you intend to actually use it. Claims made after the Warranty Period has expired will not be honored.

PROOF OF PURCHASE/DOCUMENTATION: Warranty coverage is conditioned upon the original purchaser furnishing SEARS CANADA or its authorized third party service provider if applicable, with the original sales receipt or other adequate written proof of the original purchase date and identification of the product. In the event that the original purchaser is unable to provide a company of the original sales receipt, SEARS CANADA Inc. reserves the right to determine in its sole discretion what other written proof of the original purchase date and identification of the product is acceptable.

SERVICE NOTES

Get it fixed, at your home or ours!

Just Call:

1-800-4-MY-HOME[®]

(1-800-469-4663)

24 hours a day, 7 days a week

For the repair of major brand appliances **in your own home...**
no matter who made it, no matter who sold it!

For your nearest **Sears Parts and Service** location,
to bring in products like vacuums, lawn equipment and electronics.

For **Sears Parts & Service**, to order the replacement parts,
accessories and owner's manuals that you need to do-it-yourself.

www.sears.ca

To purchase or inquire about a Sears Maintenance Agreement, call:

1-800-361-6665

9 a.m. – 11 p.m. Mon. – Fri., EST, 9 a.m. – 4 p.m. Sat.

Pour service en français:

1-800-LE-FOYER^{MC}

(1-800-533-6937)

www.sears.ca



® / TM Trademarks of Sears Brands Management Corporation used under license by Sears Canada

^{MD} Marque déposée / ^{MC} Marque de commerce de Sears Brands Management Corporation utilisée en vertu d'une licence de Sears Canada

Faites-le réparer, à domicile ou à l'atelier!

Téléphonez au:
1-800-LE-FOYER^{MC}

(1-800-533-6937)

24 heures par jour, 7 jours par semaine

Pour la réparation des appareils électroménagers de grandes marques
à votre domicile ... peu importe le fabricant ou le détaillant!

Pour connaître l'emplacement du **Service des pièces et de l'entretien**
Sears le plus proche afin d'apporter à l'atelier des produits tels que
des aspirateurs, tondeuses à gazon ou appareils électroniques.

Pour connaître le no. de téléphone du **Service des pièces et de l'entretien**
Sears afin de commander les pièces de rechange, accessoires et
manuels d'instructions requis pour effectuer vous-même les réparations.

www.sears.ca

Pour acheter ou demander des renseignements
sur un contrat d'entretien Sears, téléphonez au:
1-800-361-6665

de 9 h à 23 h du lundi au vendredi (HNE), de 9 h à 16 h le samedi!

For service in English:
1-800-4-MY-HOME[®]
(1-800-469-4663)
www.sears.ca



GÉNÉRALITÉS : Les produits Craftsman sont garantis contre tout défaut de matériaux ou de fabrication pendant une période de temps précise, telle qu'établie ci-dessous (la « période de garantie »). En outre, cette garantie est offerte uniquement à l'acheteur initial du produit Craftsman. Les achats effectués par l'entremise d'un encan en ligne ou sur tout site Web autre que www.sears.ca sont exclus. La période de garantie débute à la date de l'achat initial. Au cours de cette période, Sears Canada, Inc. s'engage, à sa seule discrétion, à réparer ou à remplacer tout produit ou composant de produit défectueux dans des conditions d'utilisation normale. La réparation ou le remplacement sera effectué pour le client sans frais de pièces ni de main-d'œuvre, à condition que le client prenne à sa charge les frais de transport.

EXCLUSIONS : La présente garantie ne couvre pas les défectuosités dues à l'usure normale, l'utilisation inappropriée ou abusive, la négligence (y compris s'y restreindre), l'utilisation d'essence éventée, la abusifs, l'humidité, la corrosion ou tout autre effet indésirable, imputable à un entreposage ou à des habitudes d'utilisation inappropriées, un mauvais entretien, le non-respect des consignes ou directives d'entretien, l'utilisation de l'appareil contrairement aux instructions fournies dans le manuel d'entretien ou aux consignes ou informations données à l'acheteur initial, au moment de l'achat ou au cours de communications ultérieures avec lui, un accident ou encore une modification non autorisée, l'utilisation de pièces défectueuses, les éléments suivants : travaux d'entretien, réglages, composants sujets à l'usure, y compris mais sans s'y restreindre : les composants esthétiques, courroies, lames, adaptateurs de lame, ampoules, pneus, filtres, barres de guidage, lubrifiants, sièges, poignées, logements de cordon de coupe, chaînes et barres de scie, bobines et fils de tondeuse à fouet, bougies, cordes de démarrage et dents, ainsi que les décorations résultant de l'exposition aux rayons ultraviolets. Tout produit ne portant pas son étiquette d'identification avec son numéro de modèle ou de série sera exclu de la protection offerte par la présente garantie.

RÉPARATIONS : Les réparations sont garanties pendant une période de 90 jours. Si le produit défectueux est toujours couvert par la garantie, la nouvelle garantie est de 90 jours à compter de la date de la réparation ou jusqu'à la fin de la période de garantie initiale, selon la plus longue des deux échéances.

RESTRICTIONS : LES GARANTIES ET RECOURS DÉFINIS DANS LES PRÉSENTES SONT EXCLUSIFS ET REMPLACENT TOUTE AUTRE GARANTIE, QU'ELLE SOIT VERBALE OU ÉCRITE (AUTRE QUE CELLES ÉNONCÉES DANS LES PRÉSENTES) OU QU'ELLE SOIT EXPRIMÉE IMPLICITEMENT OU PRÉVUE PAR LA LOI, SANS SE RESTREINDRE À AUCUNE. LA PRÉSENTE GARANTIE VOUS CONFÈRE DES DROITS JURIDIQUES PRÉCIS, POUVANT DIFFÉRER D'UNE PROVINCE À L'AUTRE.

SEARS NE POURRA EN AUCUN CAS ÊTRE TENUE RESPONSABLE DE TOUT DOMMAGE ACCESSOIRE, SPÉCIAL, INDIRECT OU CONSÉCUTIF, QUI RÉSULTERAIT DE L'UTILISATION, DU MÉSUSAGE OU DE L'INCAPACITÉ D'UTILISER LE PRODUIT OU QUI DÉCOULERAIT DE DÉFECTUOSITÉS DU PRODUIT. LES EXCLUSIONS DU PRÉSENT PARAGRAPHE NE S'APPLIQUENT PAS DANS LES TERRITOIRES OU LA LOI NE PERMET PAS L'EXCLUSION DES DOMMAGES ACCESSOIRES OU CONSÉCUTIFS. DANS CES TERRITOIRES, LE PRÉSENT PARAGRAPHE SERA SANS EFFET, MAIS SEARS CONSERVE LE DROIT EXCLUSIF DE RÉPARER OU DE REMPLACER LE PRODUIT OU ENCORE D'OFFRIR UN REMBOURSEMENT COMPLET DE SON PRIX D'ACHAT, À SA SEULE DISCRÉTION. CE RECOURS SERA LE SEUL ET UNIQUE RECOURS DONT VOUS DISPOSEREZ EN CAS D'INEXÉCUTION QUELLE QU'ELLE SOIT DE LA GARANTIE.

RESPONSABILITÉS DU CLIENT : En plus d'observer toutes les consignes et directives d'entretien, le client doit s'acquitter, entre autres, des obligations suivantes : utiliser le produit conformément aux consignes de la notice d'entretien et aux directives ou informations additionnelles fournies à l'acheteur au moment de l'achat ou à l'occasion de communications subséquentes ; faire preuve d'un soin raisonnable pour l'utilisation, le fonctionnement, l'entretien général, le maintien en bon état et l'entreposage du produit. Le manquement à ces obligations entraînera une annulation de la garantie applicable.

LISTE DES PÉRIODES DE GARANTIE APPLICABLES : La liste ci-dessous indique la période de garantie applicable aux divers produits Craftsman qu'elle couvre ; la période accordée tient compte du type de produit ou de composants et du type d'utilisation prévue ou effective de l'appareil ou du composant :

- 1. 90 JOURS** - Produits Craftsman devant être ou étant effectivement utilisés à des fins commerciales, institutionnelles, professionnelles ou lucratives.
- 2 ANS** - Les produits de marque Craftsman suivants : tondeuses à conducteur porté, tracteurs de jardin, tondeuses à contrôle arrière, motobèches, débroussaillieurs, souffleuses à neige, souffleuses portatives, souffleuses dorsales, taille-bordures et produits électriques à usage non commercial, non professionnel, non institutionnel ou non lucratif, sauf les composants faits de systèmes de moteur fabriqués par des tiers pour lesquels l'acheteur a reçu une garantie séparée ainsi que des renseignements sur le produit, au moment de l'achat.
- 1 AN** - Produits de marque Craftsman suivants : couteaux électriques, broyeuses de souches, ébranchoirs, scies à chaîne à essence, scies à chaîne électriques, accessoires de taille-porlures, sacs et scies à long manche utilisées à des fins non commerciales, non professionnelles, non institutionnelles et non lucratives.
- 90 JOURS** - Toutes les batteries défectueuses, qui seront remplacées pendant une période de garantie de 90 jours.
- 60 JOURS** - Une période de garantie additionnelle de 60 jours s'appliquera pour le réglage de produits de produits commerciaux, institutionnelles, professionnelles ou lucratives. Les articles sujets à l'usure englobent, sans s'y restreindre : les courroies, lames, pneus, bougies, filtres à air, chaînes, bouillons de cisaillement, plaques de protection, barres de raclage, coupe-congères, cordons, dents, sacs collecteurs et poignées.

Étant donné que la période de garantie débute à la date d'achat et NON à la date à laquelle le produit est livré, l'emballage ouvert et l'appareil assemblé ou utilisé la première fois, assurez-vous que votre produit ou composant est assemblé et mis à l'essai pour en vérifier le bon fonctionnement, quel que soit le moment où vous prévoyez commencer à l'utiliser réellement. Les réclamations présentées après l'expiration de la garantie ne seront pas acceptées.

PREUVE D'ACHAT ET DOCUMENTS : La protection de la garantie est conditionnelle à la présentation par l'acheteur initial, à Sears Canada ou à son fournisseur de service autorisé s'il y a lieu, de la facture ou de toute autre preuve d'achat appropriée indiquant la date de l'achat et désignant le produit. Dans le cas où l'acheteur initial serait dans l'impossibilité de fournir une copie de sa facture, Sears Canada Inc. se réserve le droit d'établir, à sa seule discrétion, quelle autre preuve écrite de la date d'achat initial et de la désignation du produit est acceptable.

**TRACTEUR - - NUMÉRO DE MODÈLE 944.100490
MOTEUR "BRIGGS & STRATTON" - NO. DE MODÈLE 33R777, NO. DE TYPE 0005-G1**

NO. DE PIÈCE	DESCRIPTION	NO. DE PIÈCE	DESCRIPTION	NO. DE PIÈCE	DESCRIPTION
579	Écrou	1034	Pousser le guide de tringle	690822	
584	Couverture	1036	Jeu d'étriquette (Fourni par un		revenir autorisé Briggs &
601	Bride de serrage de Tuyau		Stratton)		
614	Epingle de goupille fendue	1040	Plaque	698368	
616	Manivelle du Régulateur	1044	Vis	698139	
617	Sceller l'anneau	1051	Vis	691265	anneau
633	Siège de Arbre de Starter /	1058	anneau	277675	Manuel de l'opérateur
634	Papillon	1059	Manuel de l'opérateur	698516	Vis/Rondelle
635	Coude de Bougie d'allumage	1090	Provision	691293	
654	Écrou	1091	Bouchon	691333	
684	Vis	1095	Fixée, Garnitures du Soupape	794152	
691	Vis	1119	Vis, Alternateur	691183	
697	Vis	1127	Vis, Cuve de Flotteur	695407	
718	Goupille de Emplacement	1139	Rondelle	796449	
729	Trombone de corde	1263	Roseau de pause	697124	
741	Vitesse de Distribution	1264	Vis	697104	
750	Vis	1265	Support	794151	
757	Lien de contre poids	1266	anneau	691917	
758	Contre poids	1270	Contre poids bouche-audiovisuel	793243	
759	Epingle de contre poids	1279	Vis	691108	
773	Fixation de la pompe	1329	N/A		
783	d'alimentation	1330	N/A		Moteur de remplacement
789	Ligotier l'engrenage		Réparer le Manuel		
797	Harnais				
801	Écrou	1332	Rondelle	591991	
802	Bouchon				
830	Bouchon				
842	Joint torique				
847	Ensemble des Tube et Jauge				
850	L'enduit d'étanchéité-liquide	100106			
851	de Rem plissage d'huile				
851	le Joint de Pause)				
851	Borne, Bougie d'allumage				
868	Joint d'étanchéité, Soupape				
877	Corde/le connecteur-atterrateur	790544			
883	Garniture d'échappement	692236			
914	Vis, Couverture de Balancier	691108			
918	Flexible d'aspiration	791744			
943	anneau	690589			
947	Solénoïde-carburant	699915			
964	Chapeau	799159			
965	Couverture	499613			
967	Filter pré-plus propre	793685			
968	Couverture	591644			
975	Cuve de Carburateur	699502			
987	anneau	698777			
1005	Ventilateur de Volant du Moteur	796084			
1017	Tamis de pompe à huile	796981			
1022	Garniture, Couverture de	272475s			
1023	Balancier	797421			
1024	Couverture de Balancier				
1026	Huiler la pompe	794644			
1026A	Tige à Frein	692003			
1027	Bouton	692011			
1029	Huiler le filtre	492932s			
1029	Bras de Balancier	691751			

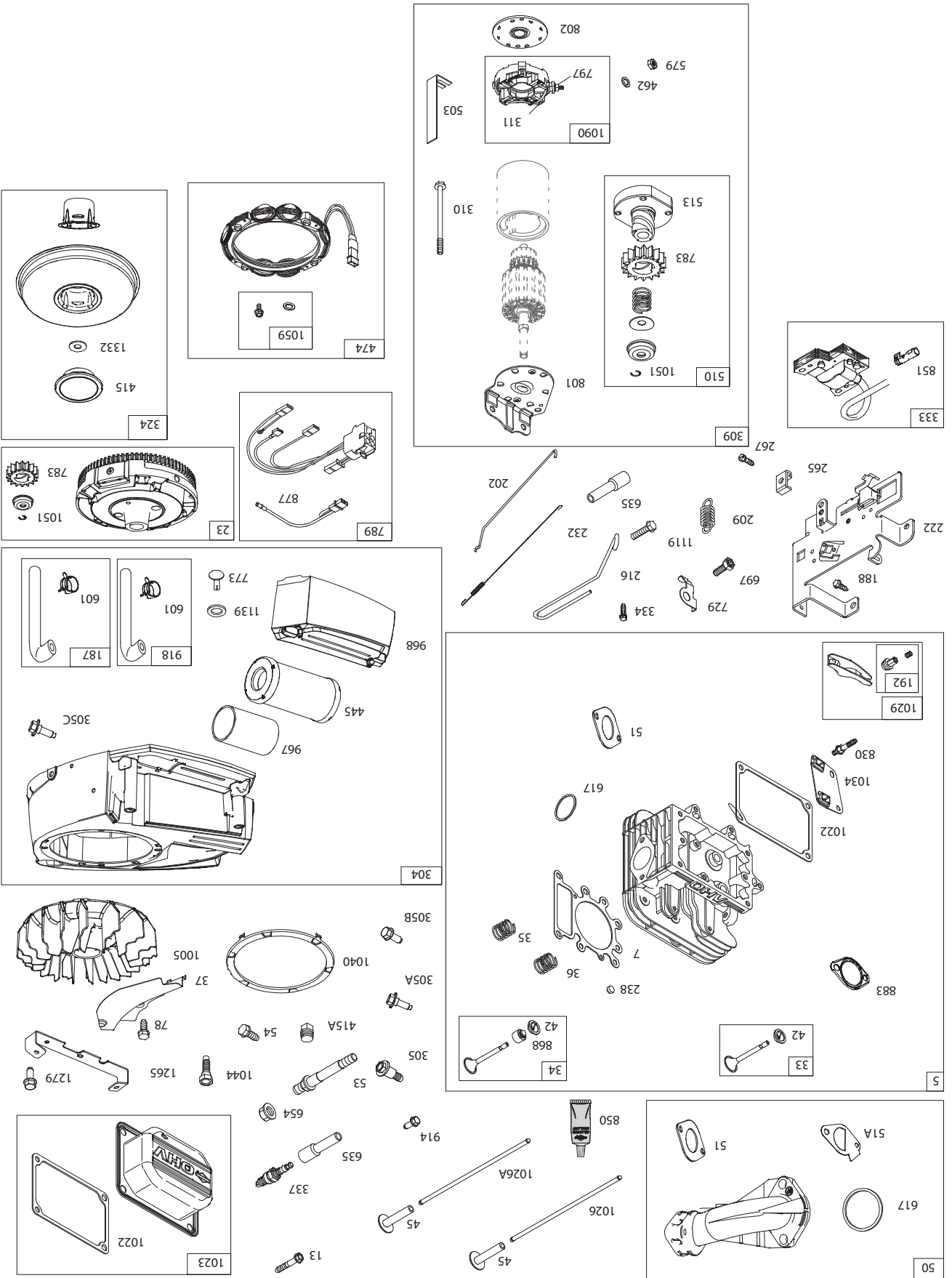
REMARQUE: Toutes les dimensions de composant sont données en pouces E.-U. --1 pouce = 25,4 mm

La Série de Joint de moteur
No. 358
La Série de Joint de soupape
No. 1095
La Trousse de Révision de carburateur
No. 121

TRACTEUR - - NUMÉRO DE MODÈLE 944.100490
MOTEUR "BRIGGS & STRATTON" - NO. DE MODÈLE 33R777, NO. DE TYPE 0005-G1

NO. DE PIÈCE	DESCRIPTION	NO. DE PIÈCE	DESCRIPTION
1	Ensemble du Cylindre	131	Étrangler la tresse d'arbre
2	797673	133	Ens. de Flotteur de Carburateur
3	3910865	135	Tube d'essence
4	592849	137	Garniture du Flotteur
5	591750	141	Étouffer la tresse d'arbre
7	794114	187	Tuyau, Essence
9	697109	187A	Tuyau, Essence
11	794683	188	Vis, Support de Control
12	697110	192	Balancier de Réglage
13	592244	202	Gouverneur mécanique
15	690946	209	Ressort, Régulateur
16	591762	216	Étouffer le lien
20	795387	217	Ressort
22	692125	222	Support du Carburateur
23	591759	227	Ensemble du Levier de Régulateur
24	591757	232	Ressort
25	795877	238	Bouchon de soupape
26	794127	267	Alimenter le filtre
27	698469	265	Serre-joint
28	795861	276	Vis
29	794122	276	Rondelle
32	791118	304	Boîtier de Soufflerie
33	591752	305	Vis (Carter de ventilateur)
34	591751	305A	(1/4-20x1,21)
35	691279	305B	Vis (Carter de ventilateur)
36	691279	305C	(1/4-20x,43)
37	699882	306	Vis (Carter de ventilateur)
42	499586	307	Protecteur de Cylindre
43	691968	309	Vis, Protecteur de Cylindre
44	690564	310	Démarrateur de Rebobinage
45	690564	310	Vis
46	793880	311	Jeu de balais
48	N/A	324	Assemblée de trie/tasse
51A	796081	333	Armature de Magneto
51	692137	334	Armature de Magneto
53	591260	337	Vis de Armature de Magneto
54	691148	338	Bougie d'allumage
55	591260	358	Jeu de la Garniture de Moteur
58	691693	377	Ciê
61	691693	404	Rondelle
62	691693	415	Bouchon
63	691693	415A	Bouchon
64	793610	431	Coude de prise
65	690718	431	Aérer la cartouche de filtre
66	695408	445	Rondelle
67	695408	462	Alternateur
68	694918	503	Démarrateur sangle
69	694918	505	Ecrou de Levier de Régulateur
70	694918	510	Drive-Starter
71	696136	513	Conduire l'embrayage
72	695419	523	Jauge de Remplissage d'huile
73	796251	524	Joint d'étanchéité, Tube de
74	791406	525	Remplis sage d'huile
75	796184	525	Tube de Remplissage d'huile
76	591736	552	Douille, Manivelle du Régulateur
77	690727	562	Bouillon de Levier de Régulateur
78	792747	562	Soupape de Commande des Gaz

TRACTEUR - - NUMÉRO DE MODÈLE 944.100490 - NO. DE MODÈLE 33R77, NO. DE TYPE 0005-G1



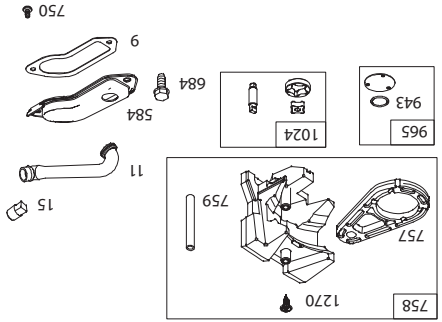
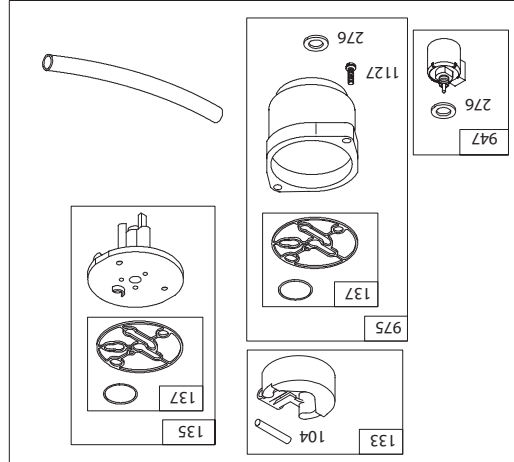
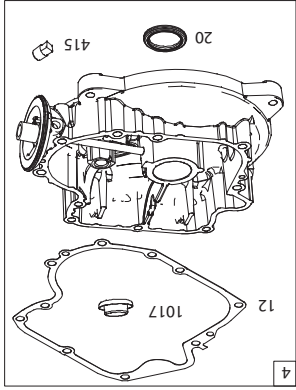
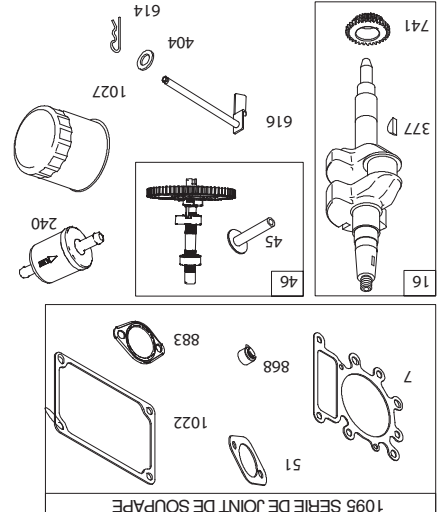
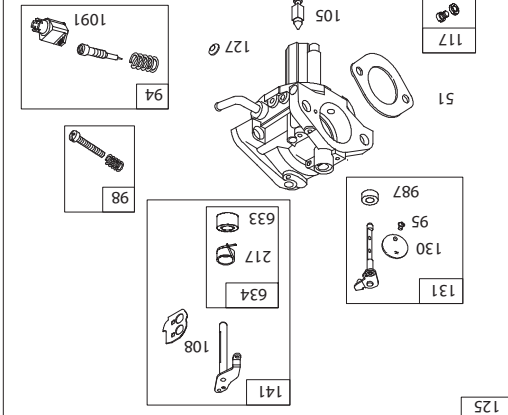
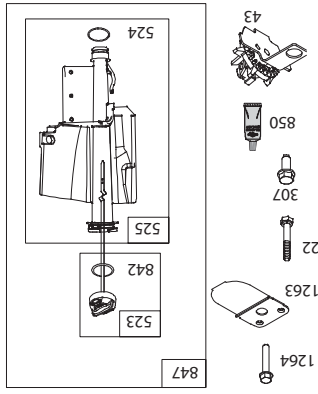
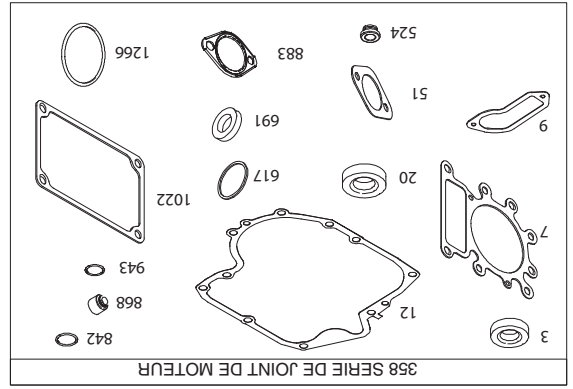
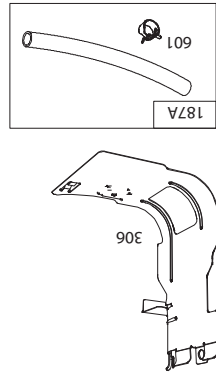
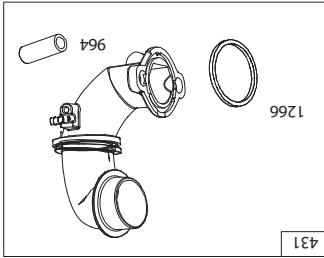
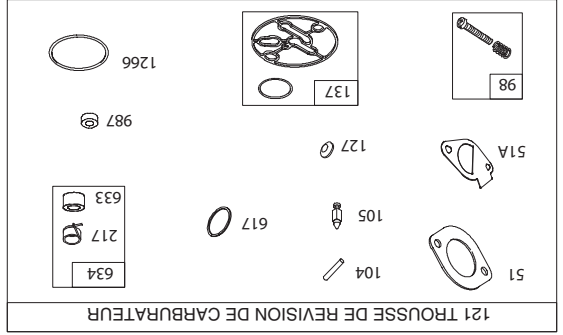
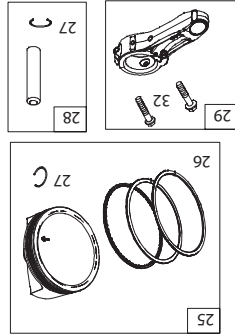
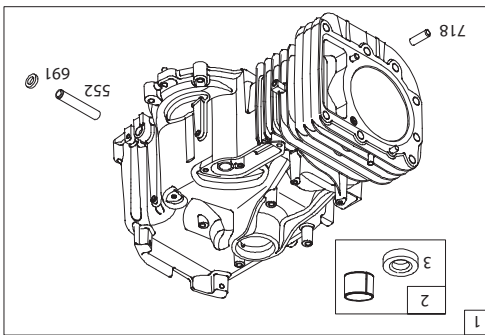
TRACTEUR - - NUMÉRO DE MODÈLE 944.100490
MOTEUR "BRIGGS & STRATTON" - NO. DE MODÈLE 3R777, NO. DE TYPE 0005-G1

1329 MOTEUR DE RECHANGE

1058 MANUEL DE L'OPÉRATEUR

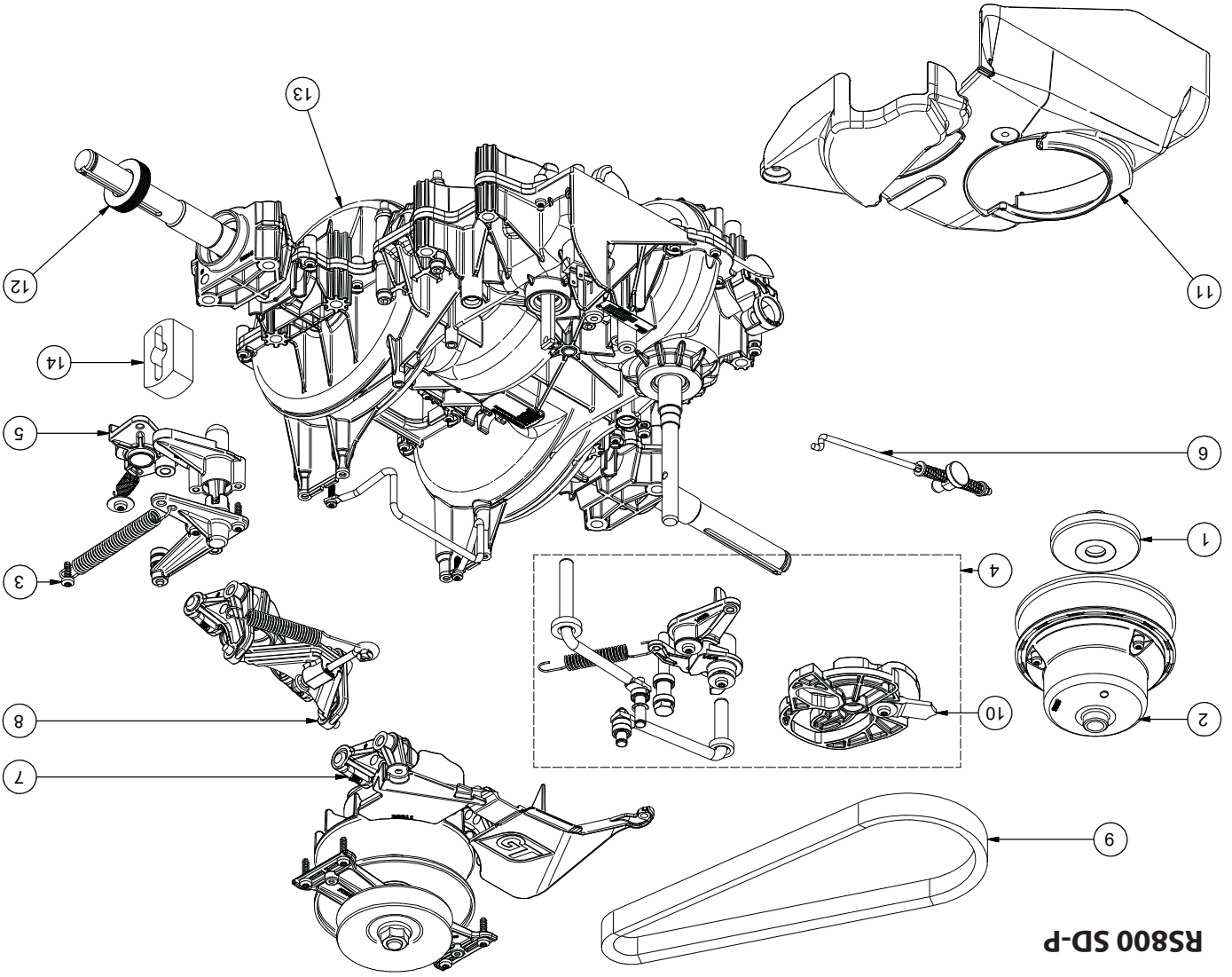
1036 EMISSIONS ETIQUETENT

48 BLOC COURT



**TRACTEUR - - NUMÉRO DE MODÈLE 944.100490
GENTRANS TRANSALXE, VATR (RS800 SD-P) 587884401**

RS800 SD-P



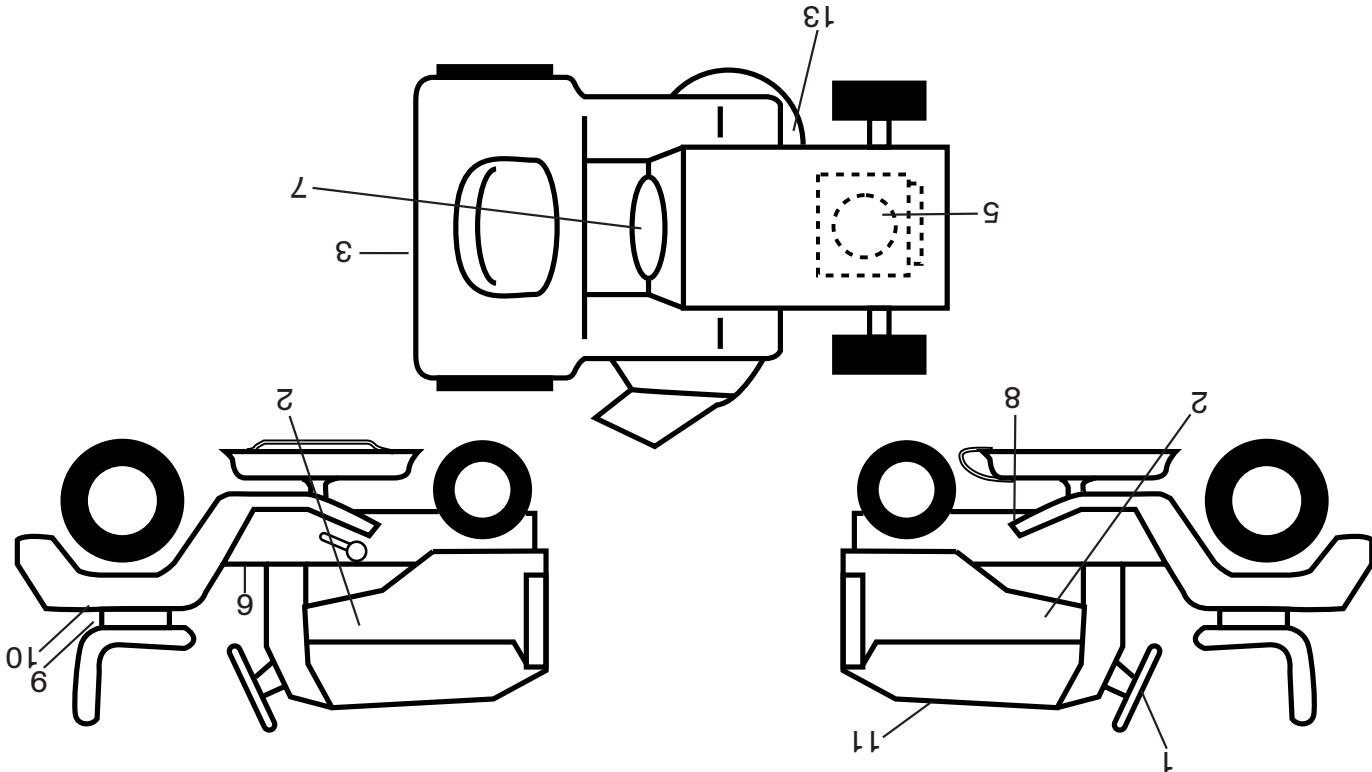
NO.	DÉ	REF.	DESCRIPTION
1	NO	587291101	Système de sécurité
2	DÉ	587086701	Kit d'entraînement
3	DÉ	587291301	Kit de frein
4	DÉ	587086702	Kit de contrôle
5	DÉ	587291401	Kit de dérivation
6	DÉ	587291402	Kit d'inversion
7	DÉ	589668301	Kit anti-débris
8	DÉ	590097101	Kit variation
9	DÉ	587086101	Courroie variation
10	DÉ	587086302	Camé rotative
11	DÉ	587291601	Couvrir

NO.	DÉ	REF.	DESCRIPTION
12	DÉ	590100301	Les joints de sortie
13	DÉ	587884401	RS800 SD-P
14	DÉ	587086501	Outil d'entraînement
--	DÉ	587086901	RS800 Kit de matériel

REMARQUE: Toutes les dimensions de composant sont données en pouces E.-U. -- 1 pouce = 25,4 mm

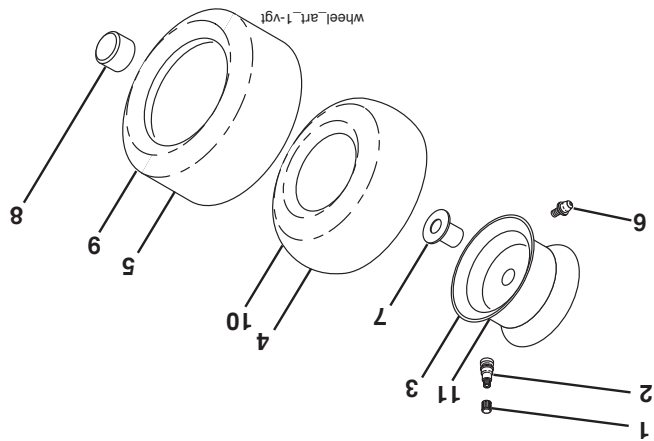
TRACTEUR - - NUMÉRO DE MODÈLE 944.100490

DECALCOMANIES



NO. NO	DÉ DE	REF. PIÈCE	DESCRIPTION
1	581894601	13	Décalcomanie, Volant de direction
2	585767601	15	Décalcomanie du capot
3	587390301	15	Décalcomanie, Tableau De Bord
5	586620801	--	Décalcomanie, Moteur C.V.
6	581579001	--	Décalcomanie d'avertissement de
7	581579901	--	Tableau De Bord
8	421534	--	Décalcomanie d'avertissement
9	448709	--	Décalcomanie de courroie
10	149517	--	Décalcomanie de batterie
11	586620901	--	Décalcomanie, Remplacement

WHEELS AND TIRES

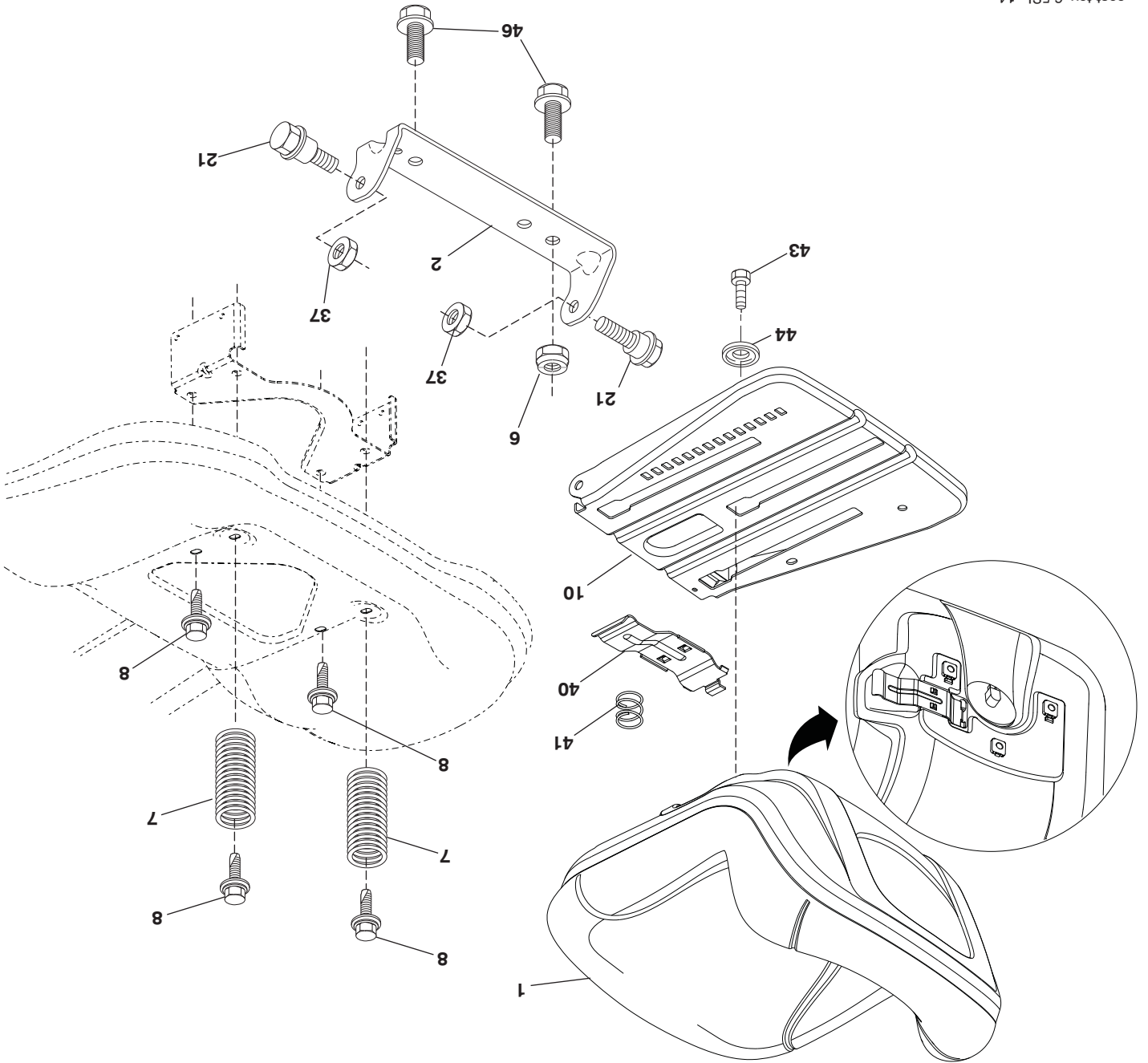


NO. NO	DÉ DE	REF. PIÈCE	DESCRIPTION
1	59192	1	Chapeau de soupape du pneu
2	65139	2	Tuyau du soupape
3	106732X613	3	Assemblage de la jante antérieure
4	59904	4	Chambre à air antérieure
5	106222X	5	Pneu antérieur 15 x 6-6
6	278H	6	Graisseur
7	9040H	7	Paler à collerette
8	104757X428	8	Chapeau de l'essieu
9	138468	9	Pneu arrière 20 x 8-8
10	7152J	10	Chambre à air arrière
11	106108X613	11	Assemblage de la jante arrière
--	144334	--	Joint d'étanchéité de pneu (tube de .30L [10 oz. Tube])

REMARQUE: Toutes les dimensions de composant sont données en pouces E.-U. --1 pouce = 25,4 mm

TRACTEUR -- NUMÉRO DE MODÈLE 944.100490

ENSEMBLE DU SIÈGE



seat-tex_6:SSL_14

NO. NO
DE DE
REF. PIÈCE

1	197520	Siège
2	180166	Support de pivot
6	73800600	Contre-écrou avec rondelle insert 3/8-16
7	587613301	Ressort de compression du siège
8	171877	Boulon 5/16-18 unc x 3/4
10	587232002	Panneau du siège
21	587907801	Boulon 5/16-18 x 5/8
37	73800500	Contre-écrou 5/16-18

DESCRIPTION

NO. NO
DE DE
REF. PIÈCE

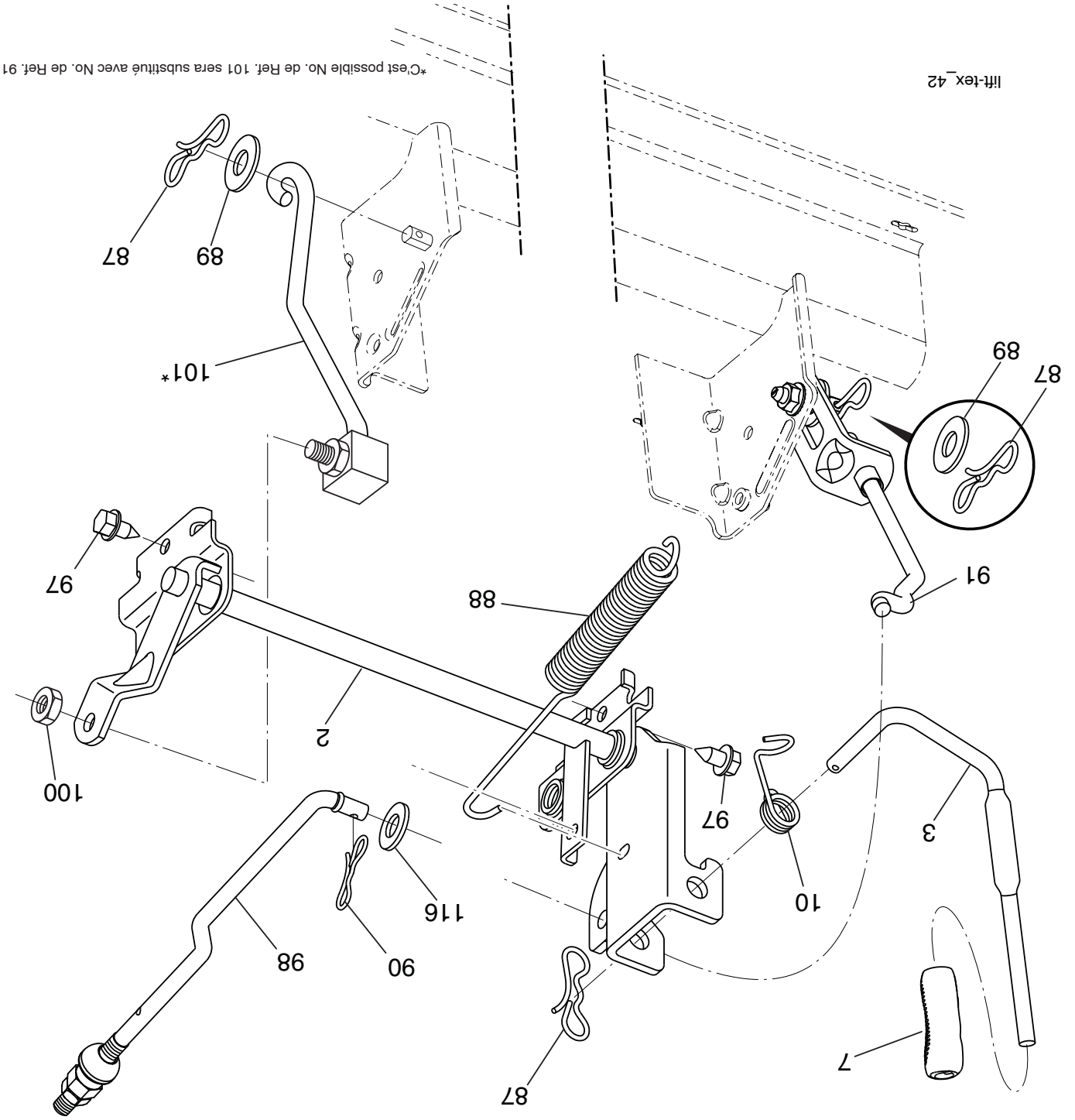
40	197661	Poignée glissant du siège
41	198200	Ressort du loquet
43	74760612	Boulon 3/8-16 x 3/4
44	501051801	Rondelle 3/8 ID 1,5 OD
46	588090401	Boulon 3/8-16 x 1, 1,25 OD

DESCRIPTION

REMARQUE: Toutes les dimensions de composant sont données en pouces E.-U. -- 1 pouce = 25,4 mm

TRACTEUR - - NUMÉRO DE MODÈLE 944.100490

LEVAGE DE LA TONDEUSE



*C'est possible No. de Réf. 101 sera substituée avec No. de Réf. 91

NO.	DE	PIÈCE	DESCRIPTION
2	422027	Ensemble de l'arbre	
3	426896	Levier de levage (C.D.)	
7	445060X428	Poignée du levier	
10	196314	Ressort de torsion	
87	194209	Goupille fendue 7/16	
88	410710	Ressort du levage	
89	19191912	Rondelle clair	
90	194208	Goupille fendue 5/16	
91	195181	Tige de levage (C.G)	
NO.	DE	PIÈCE	DESCRIPTION
97	1700612	Vis 3/8-16 x 3/4	
98	420525	Tige de levage du suspension avant	
100	73930600	Ecran	
101	407003	Tige de levage pas ajustable	
116	19151516	Rondelle 15/32 x 15/16 x 16 Ja.	

REMARQUE: Toutes les dimensions de composant sont données en pouces E.-U. --1 pouce = 25,4 mm

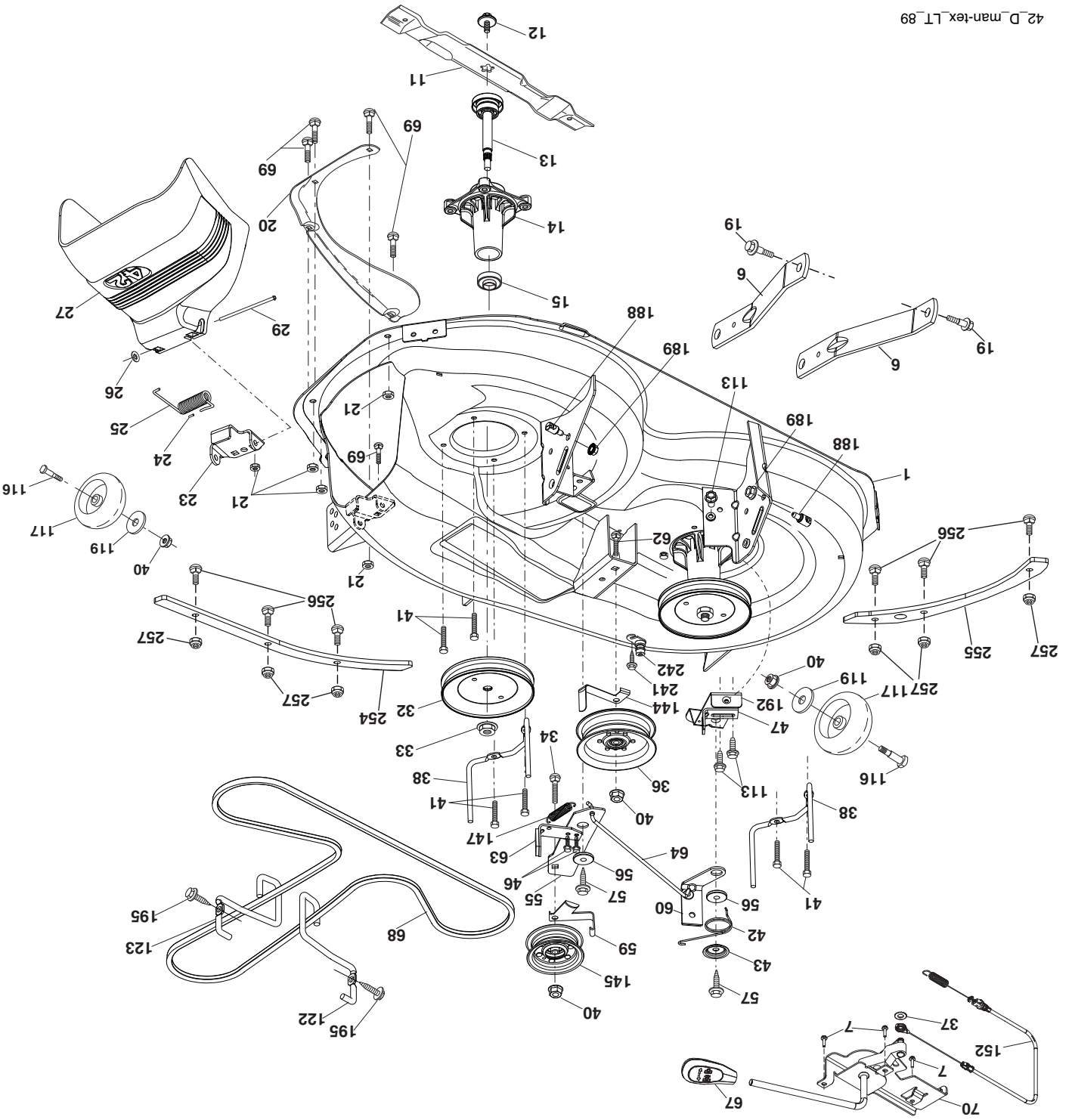
TRACTEUR - - NUMÉRO DE MODÈLE 944.100490

CARTER DE TONDEUSE

NO. DE DÉ	REF. PIÈCE	DESCRIPTION	NO. DE DÉ	REF. PIÈCE	DESCRIPTION
1	196495	Tondeuse du gazon	64	199790	Tige du frein
6	195186	Tige de suspension	67	198398X667	Poignée du câble de commande
7	416358	Vis 10 x .750	68	429636	Courroie de tondeuse d'embrayage
11	424752	Lame 3N1 "Supérieure"(Pour ramassage ou décharge)	69	72140505	Boulon 5/16-18 x 5/8
12	584309301	Vis 7/16-20 x 1	70	199972	Assemblage d'embrayage
13	587256501	Assemblage d'arbre du mandrin	113	17000510	Boulon 5/16-18
14	187281	Boîtier de mandrin	116	4898H	Boulon
15	585323901	Palier de mandrin	117	188606	Roue
19	196539	Boulon	119	19121414	Rondelle
20	159770	Chicane	122	197258	Garde du courroie (C.G.)
21	73680500	Ecrox 5/16-18 unc	123	197259	Garde du courroie (C.D.)
23	192557	Support de déflecteur	144	199204	Garde du courroie
24	105304X	Chapeau	145	193197	Pouille de tension
25	197026	Ressort	147	401971	Ressort de retour
26	110452X	Ecrox	152	584243501	Câble d'embrayage avec ressort
27	424469	Déflecteur	188	195161	Attache à tenon
29	131491	Tige d'articulation	189	73900500	Contre-écrou collerette
32	197473	Pouille de mandrin	192	197260	Support (C.G.)
33	400234	Ecrox	195	17000612	Vis 3/8-16 x 3/4
34	72110612	Boulon 3/8-16 x 1-1/2 Cat. 5	241	152927	Vis
36	197379	Pouille de galet-tendeur	242	415598	Raccord de lavage
37	19131316	Rondelle	254	585316805	Plaque de renforcement
38	432520	Garde de courroie	255	585317005	Plaque de renforcement
40	73900600	Ecrox 3/8-16 unc	256	539109800	Boulon 1/4-20 x 1 Cat. 5
41	584953901	Boulon 3/3-18 x 1.19	257	73900400	Ecrox 1/4-20 unc
42	198410	Ressort de torsion du frein	--	416405	Connecter d'accouplement du rapide
43	197256	Ressort de torsion de retenue	--	590142501	Tondeuse du gazon pour remplace-
46	137729	Vis 1/4-20 x 5/8	--	587253301	Assemblage du mandrin (inclut boîtier
47	197250	Support du câble de commande	--		ment, Complète
55	437110	Tige	--		seulement (#15) - pouille/écrou/ron-
56	199092	Entretien de retenue	--		delle et lame, boulon/rondelle n'est
57	17000616	Vis 3/8-16 x 1	--		pas inclus)
59	141043	Garde de pouille	--		
60	197261	Tige du frein du tondeuse	--		
62	72110616	Boulon 3/8-16 unc x 2	--		
63	199477	Tige du frein du tondeuse	--		

REMARQUE: Toutes les dimensions de composant sont données en pouces E.-U. -- 1 pouce = 25,4 mm.

TRACTEUR - - NUMÉRO DE MODÈLE 944.100490
CARTER DE TONDEUSE



42_D_man-tex_LT_89

TRACTEUR - - NUMÉRO DE MODÈLE 944.100490

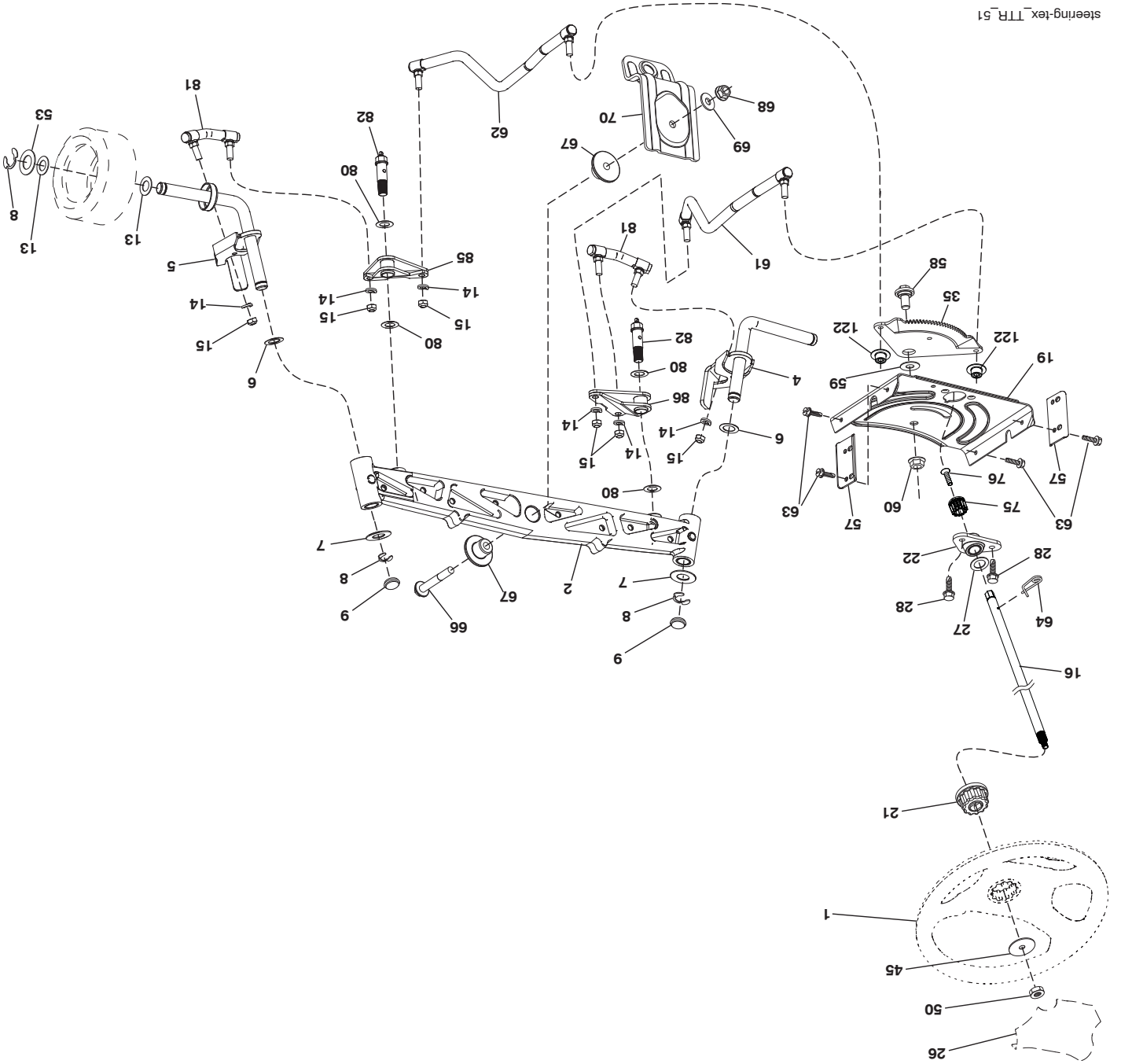
ENSEMBLE DE LA DIRECTION

NO.	DE	RÉF.	PIÈCE	DESCRIPTION
1		414803X428		Volant de direction
2		436870		Assemblage d'essieu
4		436873		Fusée d'arbre (C.G.)
5		436874		Fusée d'arbre (C.D.)
6		6266H		Pallier
7		121748X		Rondelle 25/32 x 1-5/8 x 16 Ja.
8		12000029		Anneau de retenue #T5304-75
9		184946X667		Chapeau de fusée d'arbre
13		121749X		Rondelle 25/32 x 1-1/4 x 16 Ja.
14		539990118		Rondelle
15		73540600		Ecrou 3/8-24 unf
16		587016002		Arbre de direction
19		194729		Plaque de direction
21		586840201		Adaptateur du volant de direction
22		585029901		Pallier
26		414852X428		Chapeau du volant de direction
27		19211616		Rondelle
28		17000612		Vis 3/8-16 x 3/4
35		440770		Plaque de mécanisme denté
45		587016401		Rondelle 3/8 ID 2-3/8 OD 12 Ja. PLTD
50		739000600		Ecrou 3/8-16 unc
53		188967		Rondelle : 793 x 1.637 x .060
57		407465		Support
58		194747		Boulon
59		194748		Rondelle
60		73971000		Contre-écrou collerette 5/8-11
61		436884		Tige de direction (C.G.)
62		436885		Tige de direction (C.D.)
63		17000512		Vis 5/16-18 x 3/4
64		199849		Collier de retenue
66		71020748		Boulon 7/16-14 x 3
67		194737		Coussinet
68		73900700		Contre-écrou collerette 7/16-14 Cat. 5
69		199162		Rondelle 1.5 x .505 x .118
70		585338801		Support du suspension de tondeuse
75		580683701		Pignon
76		580683601		Vis
80		1370H		Rondelle
81		436887		Tige (C.D.)
82		442147		Boulon
85		441873		Pivot (C.D.)
86		441872		Pivot (C.G.)
122		444962		Chapeau

REMARQUE: Toutes les dimensions de composant sont données en pouces E.-U. -- 1 pouce = 25,4 mm

TRACTEUR - - NUMÉRO DE MODÈLE 944.100490

ENSEMBLE DE LA DIRECTION



steering-tex_TTR_51

TRACTEUR - - NUMÉRO DE MODÈLE 944.100490

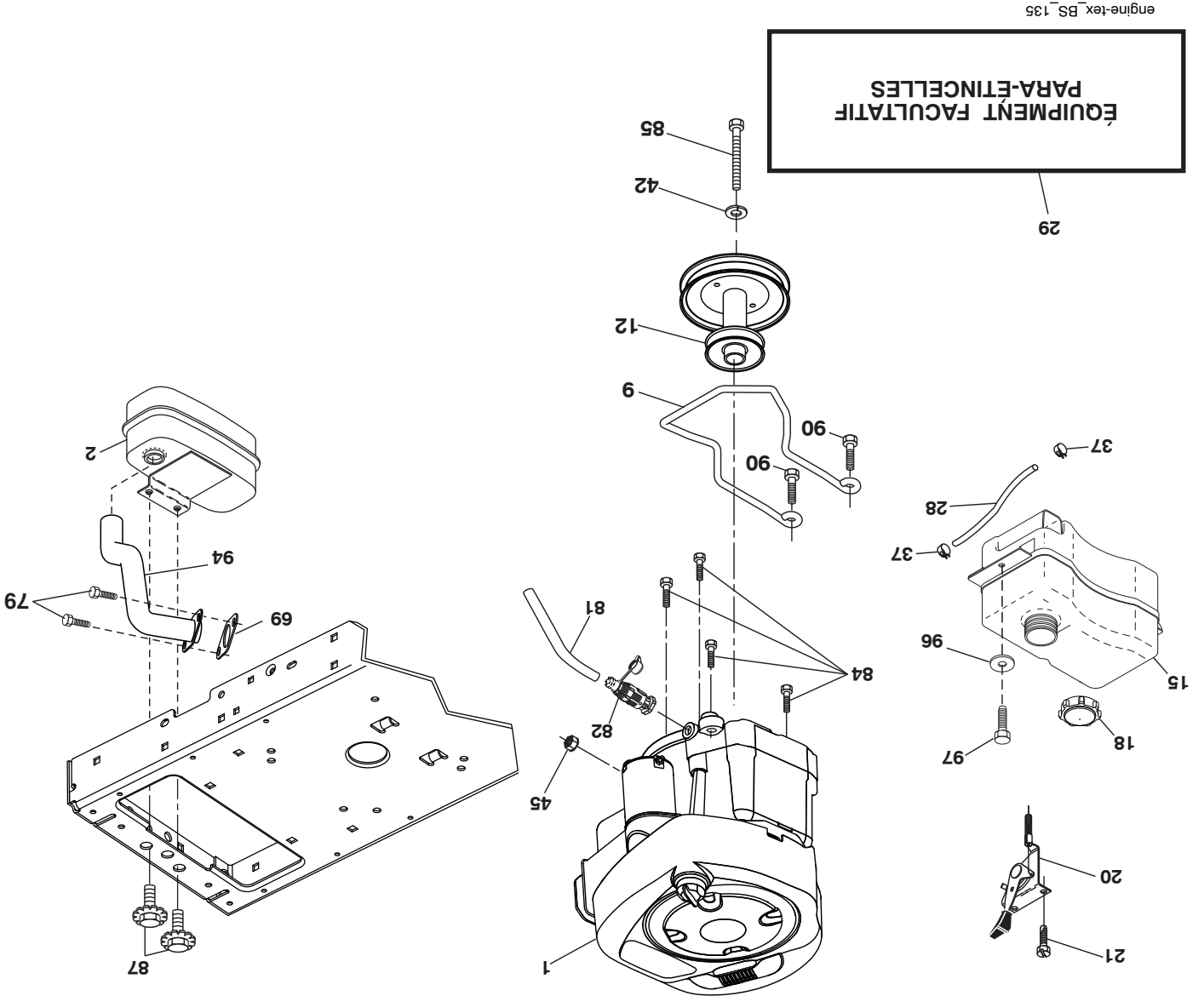
MOTEUR

NO.	DE	REF.	DESCRIPTION
1	---	---	Moteur B&S No. de modèle 33R777-0005-G1 (586306801)
2		446760	(Voir la assemblage du moteur.)
9		582540302	Silencieux
12		586729001	Garde du courroie du moteur
15		581290101	Puille du moteur
18		430220	Réservoir d'essence
20		176636X428	Chapeau d'essence
21		416358	Commande des gaz et l'étrangleur
28		401137	Vis 10 x .750
29		137180	Conduite d'essence
37		123487X	Jeu de pare - étincelles
42		539990247	Collier de serrage pour tuyaux flexibles
45		73510400	Rondelle 7/16
69		165291	Ecroû 1/4-20 unc
79		192334	Garniture
81		148456	Vis 5/16-18 x .75
82		428287	Tuyau D'huile
84		17060620	Vanne de vidange d'huile
85		501606501	Vis 3/8-16 x 1-1/4
87		171877	Boulon 7/16-20 x 4 x Cat. 5-1.5
90		17000616	Boulon 5/16-18 unc x 3/4
94		581880901	Vis 3/8-16 x 1.0
96		19091416	Tuyau d'échappement
97		17670412	Rondelle 9/32 x 7/8 x 16 Ja. Vis 1/4-20 x 3/4

REMARQUE: Toutes les dimensions de composants sont données en pouce d'E.-U. - - 1 pouce = 25,4 mm.

Informations concernant la puissance théorique du moteur

La puissance brute pour chaque Modèle de moteur à essence est indiquée conformément au code J1940 (procédure de calcul de la puissance et du couple des petits moteurs) de la SAE (Society of Automotive Engineers) et les performances théoriques ont été obtenues et corrigées selon SAE J1995 (révision 2002-05). Les valeurs de couple sont calculées sur la base de 3060tr/min et celles de fonctionnement et des variations d'un moteur à l'autre. Compte tenu de la grande variété de machines sur lesquelles nos moteurs sont utilisés et du nombre de problèmes environnementaux applicables au fonctionnement des équipements, il se peut que le moteur à essence ne développe pas sa puissance théorique une fois qu'il est monté sur une machine particulière (puissance nette ou réelle « sur site»). Cette différence s'explique par un grand nombre de facteurs, tels que (liste non limitative): accessoires (filtre à air, échappement, admission, refroidissement, carburateur, pompe à essence, etc.), limites d'utilisation, conditions ambiantes d'utilisation (température, humidité, altitude) et variations d'un moteur à l'autre. Pour des raisons de fabrication et de capacité limitées, Briggs & Stratton est susceptible de remplacer ce Modèle par un moteur plus puissant.



TRACTEUR - - NUMÉRO DE MODÈLE 944.100490

ENTRAÎNEMENT

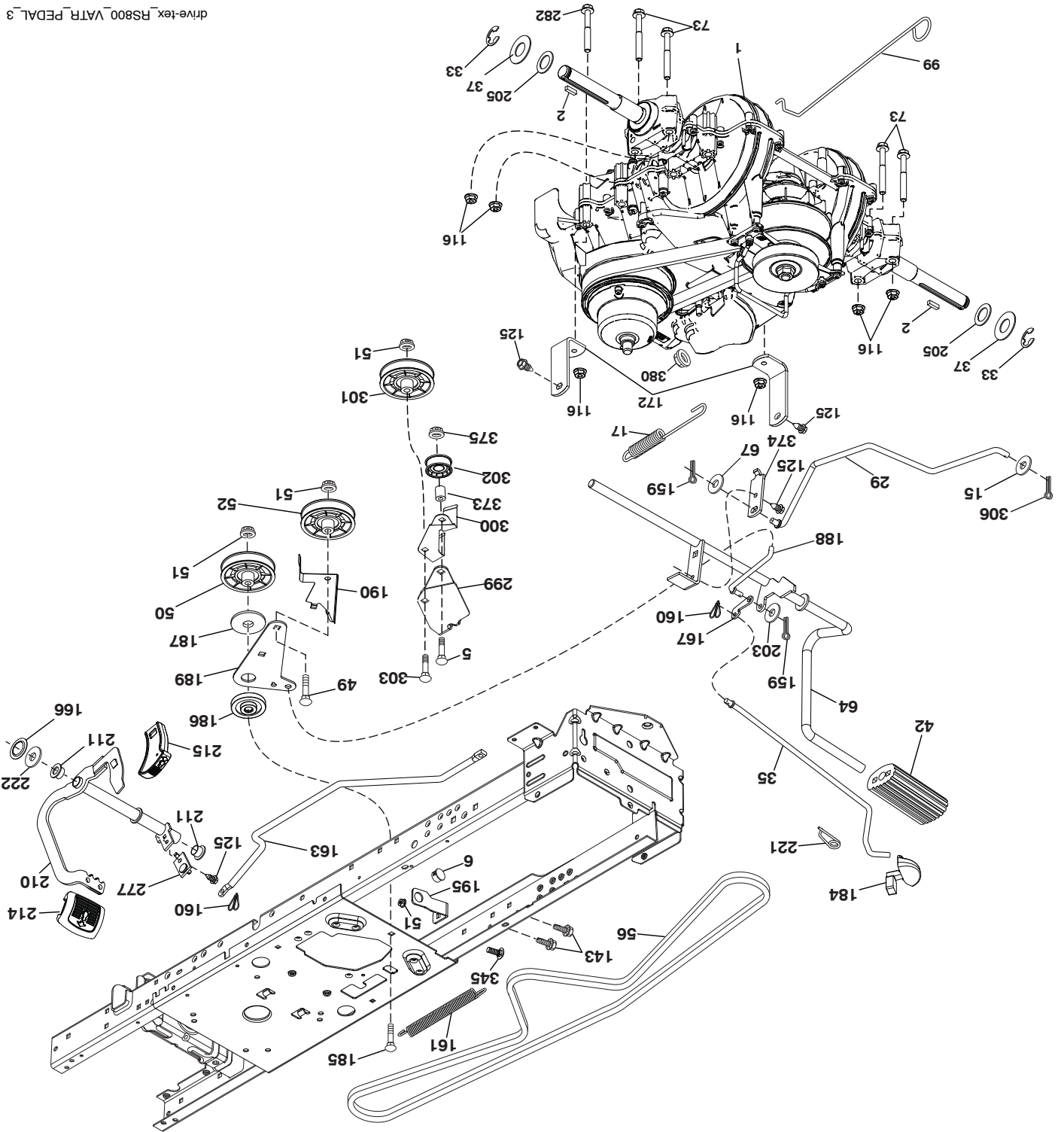
NO. DE DÉ	REF. PIÈCE	DESCRIPTION	NO. DE DÉ	REF. PIÈCE	DESCRIPTION
1	---	Transaxe, Variator SD-Pédale (590277501)(Commandez les pièces du fabricant du transmission.)	185	72110622	Boulon 3/8-16 Unc X 2-3/4 Cat. 5
2	123583X	Cle 2.0 X .1845/.1865	188	582217001	Raccord d'embrayage longue
5	74760636	Ecroû	189	194317	Support
6	124028X	Douille De Bouton-Pression	190	194318	Support
15	19131316	Rondelle 13/32 x 13/16 x 16 Ja.	195	581504601	Support De Frein
17	501487101	Ressort De Rappel-Du Frein	203	19111116	Rondelle 11/32 X 11/16 X 16 Ja.
29	584823101	Tige Du Frein	205	121748	Rondelle .25/32 X 1-5/8 X 16 Ja.
33	12000001	Anneau.#5133-75	210	588921001	Pédale du carter
35	583864501	Tige De Frein Du Stationnement	211	120183X	Pailier de nylon
37	188967	Rondelle .793 x 1.637 x 060	214	421263	Pédale
42	8883R	Couvercle Du Pedale	215	448254	Inverse du pédale
49	72110614	Boulon 3/8-16 Unc X 1-3/4. Cat. 5	221	403187	Ressort De Retenue
50	194327	Pouille	222	79212010	Rondelle 21/32 x 1-1/4 10 Ja.
51	73900600	Ecroû 3/8-16	277	448500	Tige du pédale
52	194326	Pouille	282	74490548	Vis 5/16-18 X 3
56	197253	Courroie	299	415683	Support De Pouille
64	448353	Ensemble Du Tige Du Frein	300	415681	Garde Du Pouille
67	582580101	Rondelle 13/32 x 13/16 x 12 Ja.	301	415680	Pouille
73	74490544	Boulon 5/16-18.Cat.5	302	581420501	Pouille
99	435935	Tige	303	72110618	Boulon 3/8-16 X 2-1/4
116	73900500	Ecroû 5/16-18 Unc	306	76020416	Goupille en épingle à cheveux
125	17000512	Vis .5/16-18X3/4	345	72110606	Boulon 3/16 x 1 Cat. 5
143	17490508	Vis.5/16-18 X 1/2	373	581461801	Entretoise
159	76020412	Goupille Fendue 1/8 x 3/4	374	581475201	Levier De Frein
160	169484	Ressort De Retenue	375	74760636	Boulon
161	105709X	Ressort D'embrayage 6.75	380	582478601	Ecroû 1/4-20 Cat. G ZY
163	587847901	Tige			
166	429164	Ecroû .625			
167	405257	Loquet Du Frein De Stationnement			
172	583974201	Support			
184	196439X428	Poignée			

REMARQUE: Toutes les dimensions de composant sont données en pouces E.-U. --1 pouce = 25,4 mm

TRACTEUR - - NUMÉRO DE MODÈLE 944.100490

ENTRAÎNEMENT

drive-tex_RS800_VATR_PEDAL_3

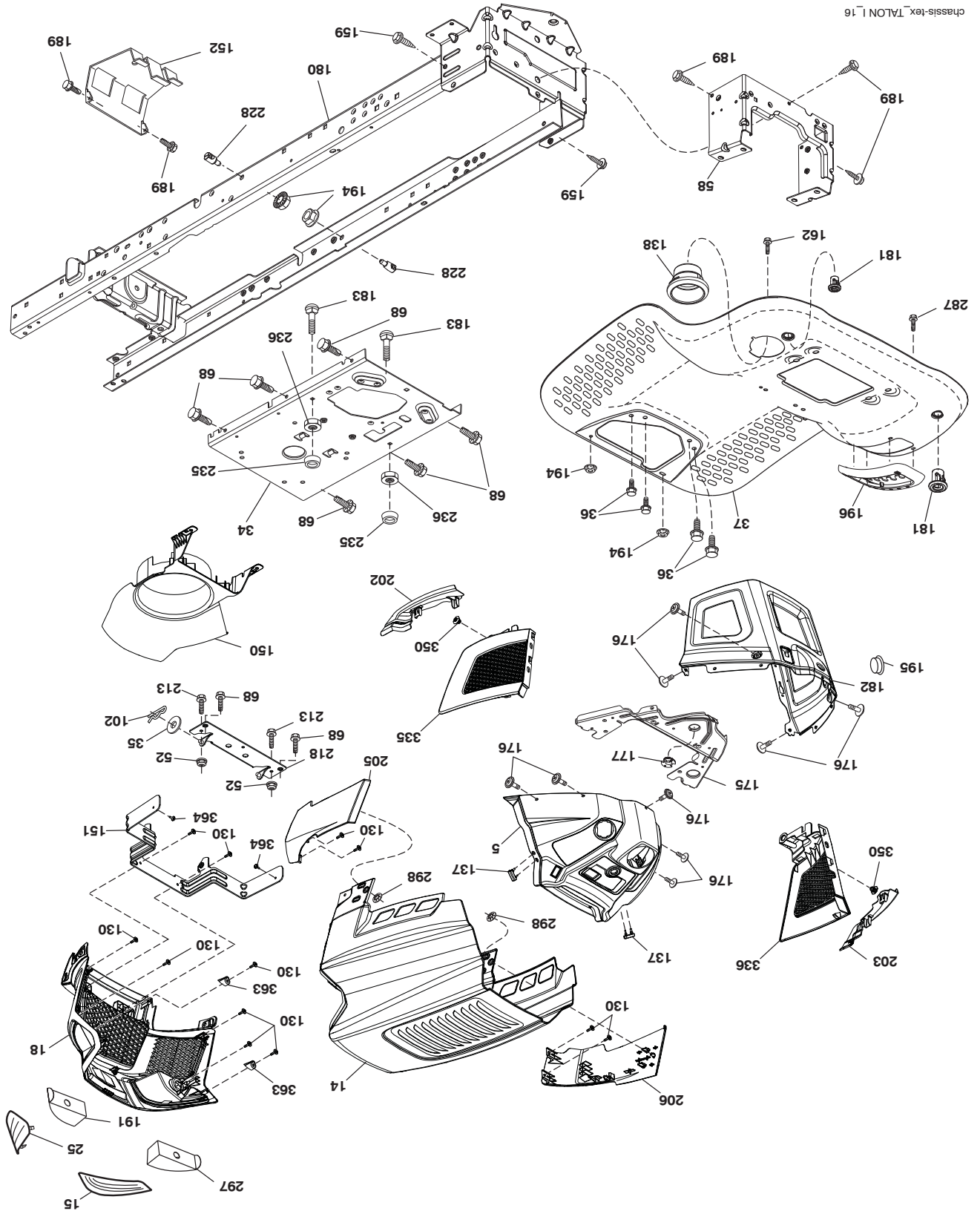


TRACTEUR - - NUMÉRO DE MODÈLE 944.100490
CHÂSSIS/ENCEINTES

NO.	DE	REF.	DESCRIPTION
5		580485903	Tableau de bord
14		580354404	Capot
15		580485601	Lentille C.G.
18		580485302	Calandre
25		580484501	Lentille C.D.
34		580910801	Plaque de moteur
35		19111116	Rondelle 11/32 x 11/16 x 16 Ja.
36		17060512	Vis 5/16-18 x 3/4
37		414879X428	Aile
52		73680500	Écrou 5/16-18
58		412280	Barre D'attelage
68		17490508	Vis 5/16-18 x 1/2
102		4497H	Arrêtoir 1"
130		416358	Vis # 10 x .750
137		407590	Pare-Chocs
138		1932224X428	Porte-goblet
150		580485503	Canalisation du capot
151		580663302	Support
152		199535	Déflecteur
159		17000612	Vis 3/8-16 x 3/4
162		142432	Vis 1/4 x 1/2
175		196304	Pièce d'entretoisement
176		400776	Vis 10-24 x 5/8
177		195228	Coussinet
180		415063	Châssis
181		193102X428	Coussinet
182		586738602	Tableau de bord
183		74520520	Boulon 5/16-18 x 1-1/4
189		17000512	Vis 5/16-18 x 3/4
191		580485101	Phare/InsertLentilleRéfléchissant C.D.
194		73900500	Écrou 5/16-18
195		401556X428	Bouchon
196		431658	Ensemble de la console
202		580485002	Basse bouclier de garniture C.D.
203		580484802	Basse bouclier de garniture C.G.
205		580843707	Ensemble d'angle C.D.
206		580843807	Ensemble d'angle C.G.
213		74760512	Boulon 5/16-18 unc x 3/4
218		580897301	Ensemble de capuche pivot
228		580897302	Fermeture
235		406129	Entretoise
236		73930500	Contre-écrou 5/16-18
287		17600406	Vis 1/4-20 x 3/8
297		580484901	Phare/InsertLentilleRéfléchissant C.G.
298		580851001	Écrou
335		580484602	Panneau de clôture de côté C.D.
336		580484402	Panneau de clôture de côté C.G.
350		445143	Pince
363		580724501	Chapeau
364		17060408	Vis
--		404951X428	Bouchon du Tableau de bord

REMARQUE: Toutes les dimensions de composant sont données en pouces E.-U. --1 pouce = 25,4 mm

TRACTEUR - - NUMÉRO DE MODÈLE 944.100490
CHÂSSIS/ENCEINTES



chassis-tex_TALON L16

TRACTEUR - - NUMÉRO DE MODÈLE 944.100490

ELECTRIQUE

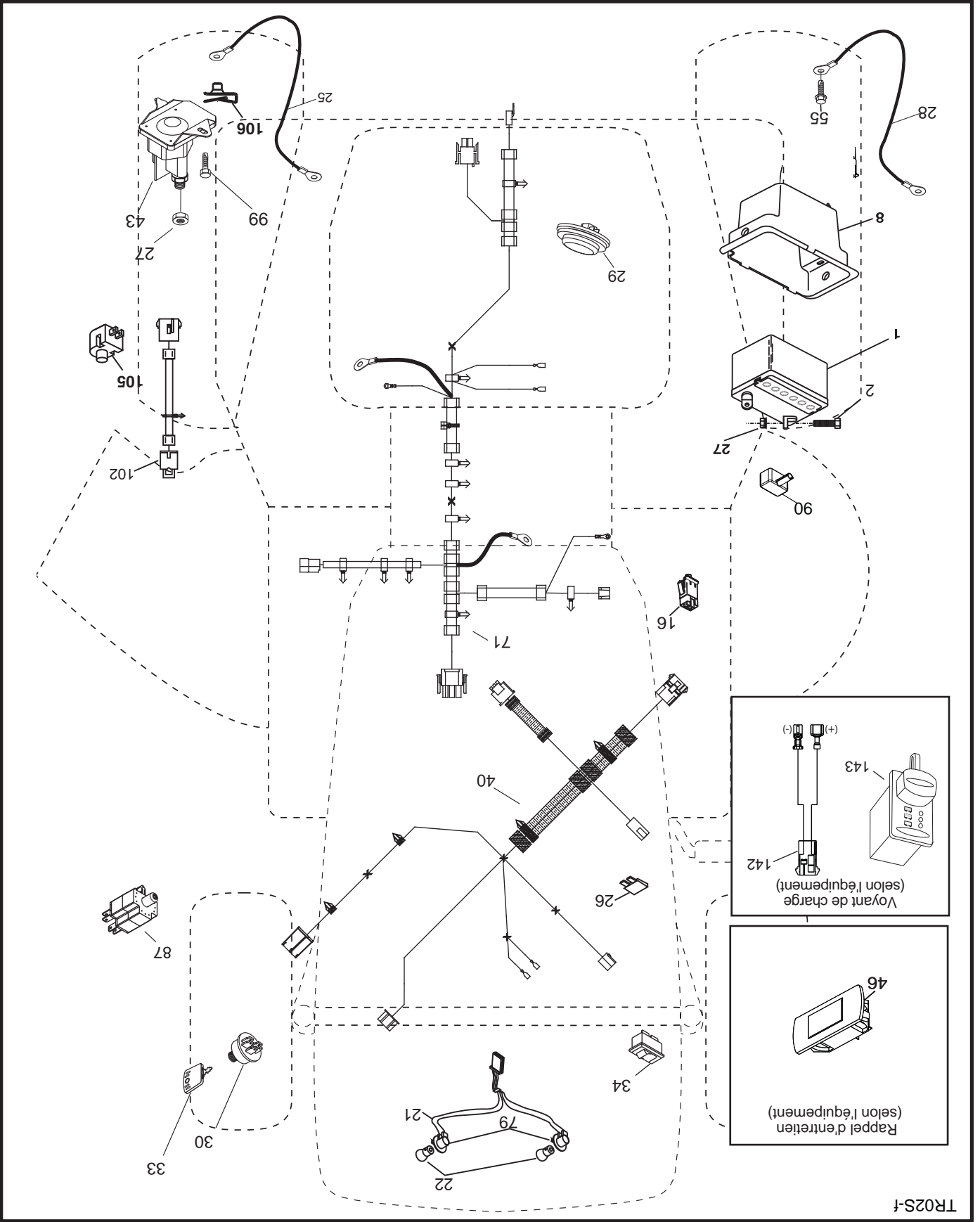
NO.	DÉ	RÉF.	PIÈCE	DESCRIPTION
1		163465	Batterie	
2		74760412	Boulon 1/4-20 unc x 3/4	
8		193228	Bac de batterie	
16		176138	Interrupteur	
21		400252	Harnais de prise de courant d'ampoule 4152J	
22		4152J	Ampoule	
25		581498001	Cable 6 Ja. 14.5"	
26		175158	Fusible	
27		73510400	Ecrou 1/4-20 unc	
28		421686	Câble	
29		401545	Interrupteur de siège	
30		193350	Interrupteur d'allumage	
33		411934	Clé/Chaîne	
34		110712X	Interrupteur des phares	
40		581023101	Harnais (si équipé avec solénoïde avant)	
43		582042801	Solénoïde	
55		17060512	Vis 5/16-18 x 3/4	
71		501133701	Harnais (si équipé avec solénoïde avant)	
79		175242	Prise de courant d'ampoule	
87		197802	Interrupteur de verrouillage de câble d'embrayage	
90		435395	Couvercle du borne de batterie	
99		17670412	Vis 1/4-20 unc	
102		581023401	Harnais de fil	
105		407568	Commutez, renversez	
106		174814	Ecrou 1/4	

REMARQUE: Toutes les dimensions de composant sont données en pouces E.-U. -- 1 pouce = 25,4 mm

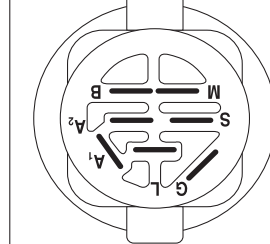
TRACTEUR - - NUMÉRO DE MODÈLE 944.100490

ELECTRIQUE

TR02S-f

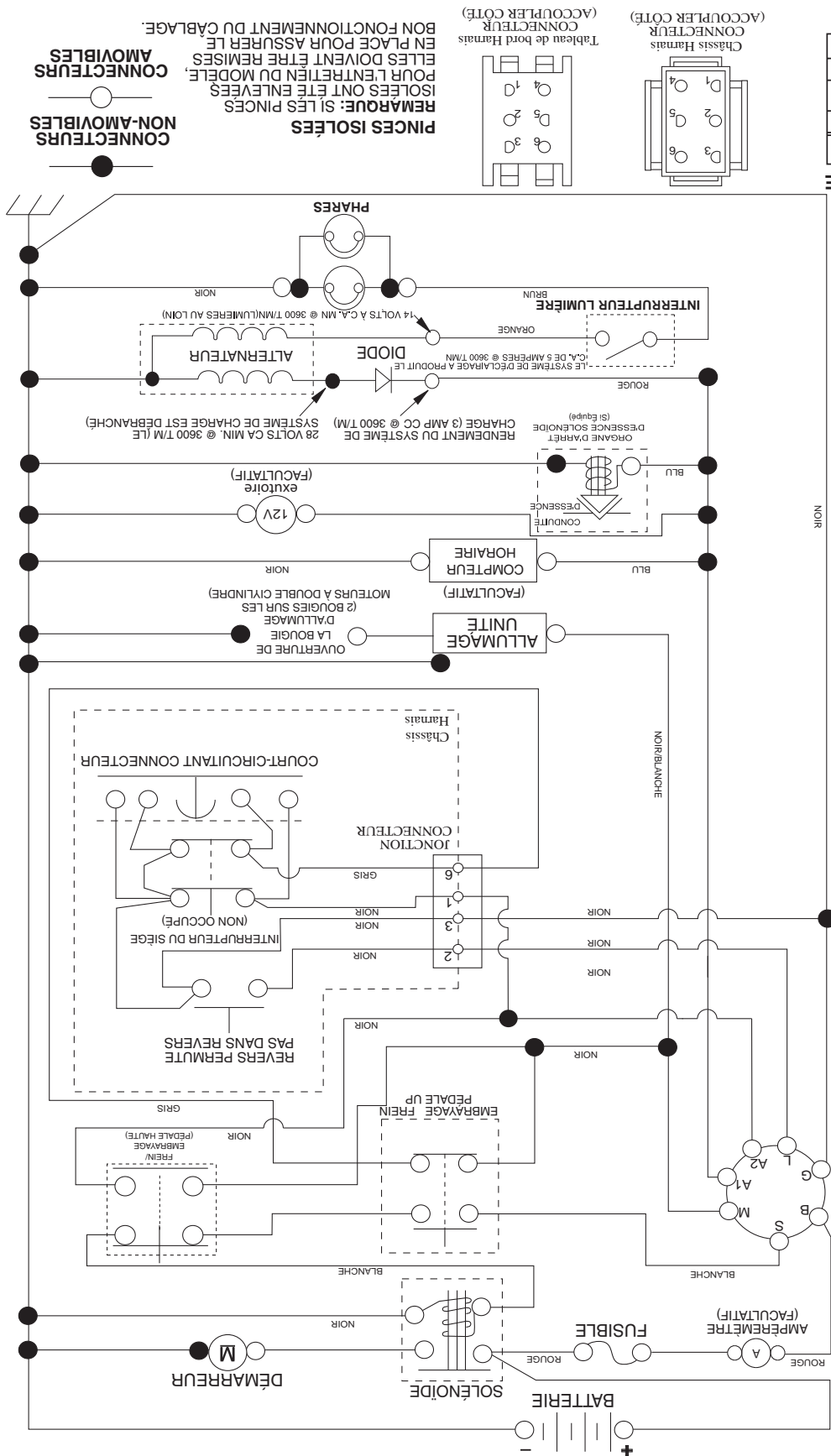


CONTACTEUR D'ALLUMAGE



REMARQUE
 VOTRE SYSTÈME D'ALTERNATEUR
 SPÉCIAL AU LIEU D'ÊTRE
 BRANCHÉ SUR LA BATTERIE,
 LES PHARES DISPOSENT DE
 LEUR PROPRE SOURCE
 D'ÉNERGIE ÉLECTRIQUE,
 DONC LA BRILLANCE DES
 PHARES CHANGERA EN
 FONCTION DE LA VITESSE DU
 MOTEUR, AU RALENTI, LA
 BRILLANCE DES PHARES
 BAISSERA, QUAND LE MOTEUR
 EST ACCÉLÉRÉ, LA BRILLANCE
 ATTEINDRA SON MAXIMUM.

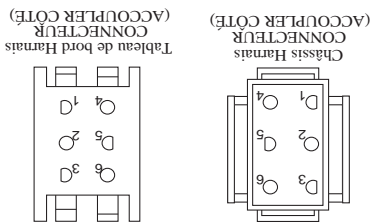
POSITION	CIRCUIT "FAITS"
ARRÊT	M + G + A1
MARCHE/	B + A1
MARCHE	B + A1
DEMARRAGE	B + S + A1



CONNECTEURS NON-AMOVIBLES
 CONNECTEURS AMOVIBLES

PINCES ISOLÉES

REMARQUE: SI LES PINCES ISOLÉES ONT ÉTÉ ENLEVÉES, POUR L'ENTRETIEN DU MODÈLE, ELLES DOIVENT ÊTRE REMISES EN PLACE POUR ASSURER LE BON FONCTIONNEMENT DU CABLAGE.



COMMENT UTILISER CE MANUEL

Ce manuel a été dessiné pour fournir le client avec les moyens d'identification des pièces de détails du tracteur quand il/elle a besoin de commander les pièces de rechange. Les illustrations ne peuvent pas représenter exactement le modèle que vous avez acheté. N'utilisez pas ce manuel comme un guide dans le montage et/ou démontage de votre tracteur. La visserie montrée est plus grande pour faciliter l'identification.

Chaque tracteur a un numéro de modèle particulier.

Le numéro de modèle du produit se trouvera sur l'aile, dessous le siège.

Lorsque vous commandez des pièces de rechange, donnez toujours les renseignements suivants:

- Produit - "TRACTEUR"
- NUMÉRO DU MODÈLE - "944.100490"
- Numéro de la Pièce
- Description de la Pièce

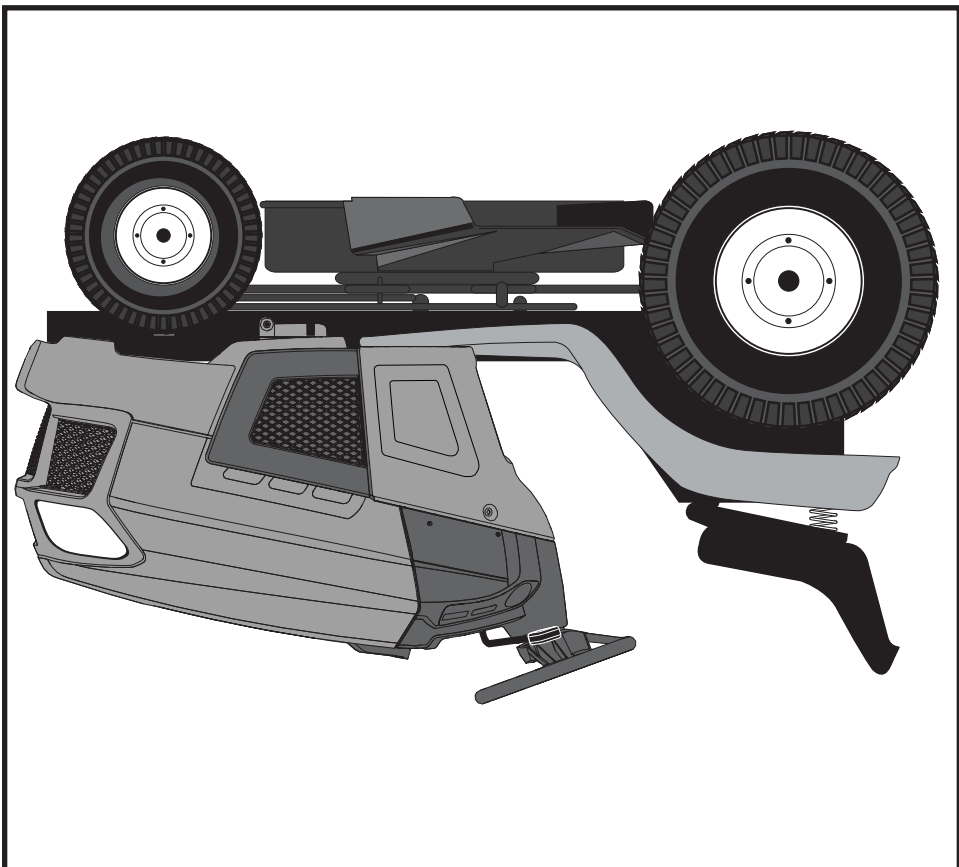
TABLE DE MATIERES

SCHEMA.....	3
ELECTRIQUE.....	4-5
CHASSIS/ENCEINTES.....	6-7
ENTRAÎNEMENT.....	8-9
MOTEUR.....	10-11
ENSEMBLE DE LA DIRECTION.....	12-13
CARTER DE TONDEUSE.....	14-15
LEVAGE DE LA TONDEUSE.....	16
ENSEMBLE DU SIÈGE.....	17
DECALCOMANIES.....	18
VOYEZ LES DÉTAILS DE TRANSMISSION.....	19
VOYEZ LES DÉTAILS DE MOTOR.....	20-23
GARANTIE.....	24
ENTRETIEN DE "SEARS".....	26

Sears Canada, Inc., Toronto, Ontario MSB 2B8

* La puissance nominale indiquée par le fabricant du moteur est la puissance brute moyenne (à un régime en tr/min spécifique) d'un moteur de production type pour le modèle de moteur mesuré selon les normes SAE pour la puissance brute du moteur. Se reporter au fabricant du moteur pour tous les détails.

**18,5 C.V.*
DEMARRAGE ÉLECTRIQUE
TONDEUSE DE 107 CM (42 PO.)
AUTOMATIQUE
TRACTEUR DE PELOUSE**



Importante: Lisez
et suivez le mode
d'emploi et toutes
les règles de sécu-
rité avant d'utiliser
cet équipement.

**NUMÉRO DE
MODÈLE
944.100490**

**SEARS
MANUEL DE
PIÈCES DE
RECHANGE**