

# DIXON<sup>®</sup> ZTR<sup>®</sup>

## Parts Manual

### SpeedZTR 42 / 966808405



Please read the operator's manual carefully and make sure you understand the instructions before using the machine.

Gasoline containing up to 10% ethanol (E10) is acceptable for use in this machine. The use of any gasoline exceeding 10% ethanol (E10) will void the product warranty.

When you need spare parts or support in service questions, warranty issues, etc., please consult the following professional:

This Parts Manual belongs to the machine with the manufacturing number:	Engine	Transmission

### Manufacturing Number

The machine's manufacturing number can be found on the printed plate affixed to the engine compartment.

Stated on the plate, from the top are:

- The machine's type designation (I.D.).
- The manufacturer's type number (Model).
- The machine's serial number (Serial no.)

Please have the type designation and serial number available when ordering spare parts.

The engine's manufacturing number is stamped on one of the valve covers.

The plate states:

- The engine's model.
- The engine's type.
- Code

Please have these available when ordering spare parts.

Wheel motors and hydrostatic pumps have a barcode decal affixed at the rear.

#### Accessories Available

COLLECTION SYSTEM .....	966 610501
MULCH KIT .....	954 040441

Collection Kit 966610501

Mulch Kit 954040441

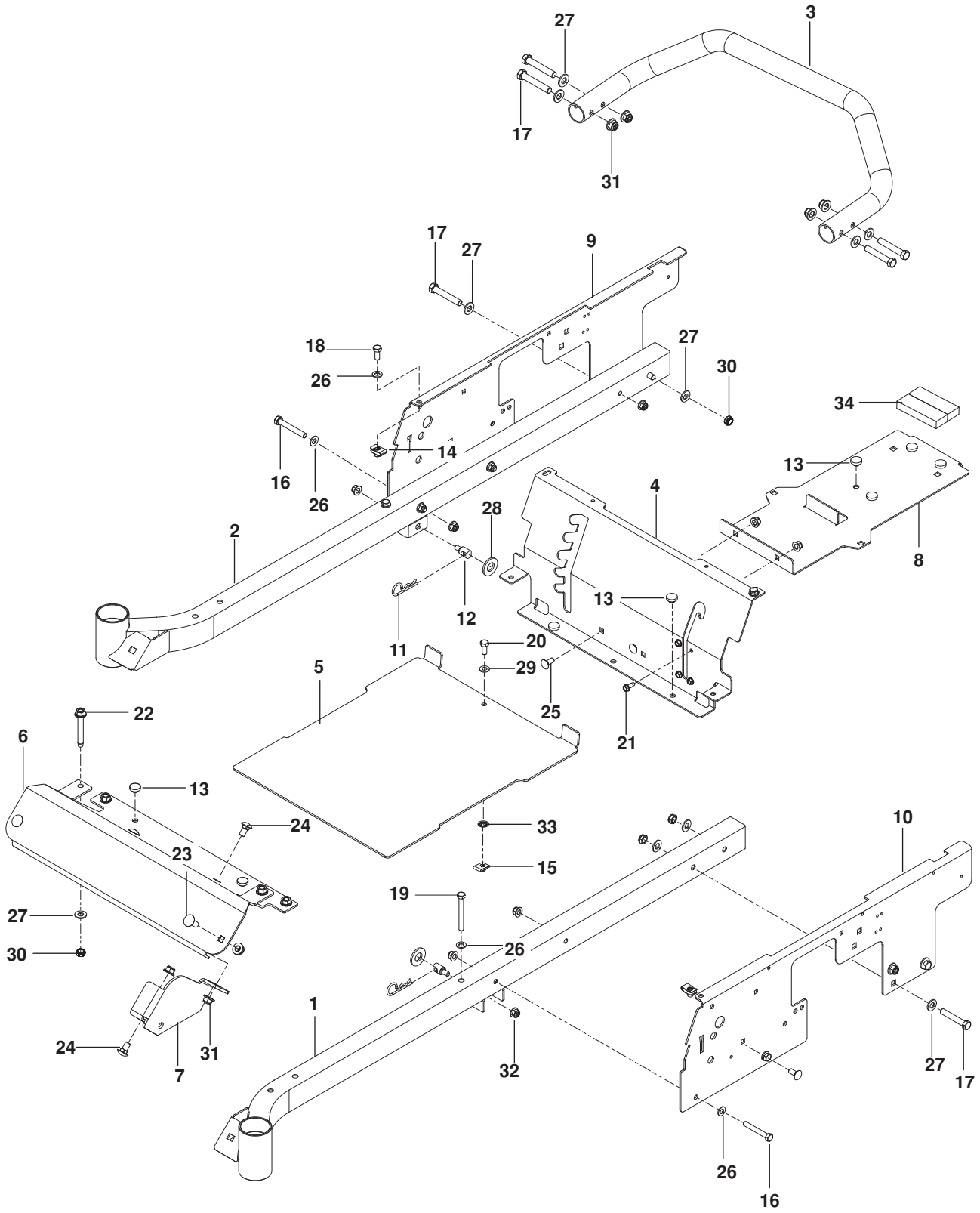
# CONTENTS

---

FRAME.....	4
ENGINE PLATE.....	6
STEERING .....	8
IGNITION.....	10
HYDRAULIC PUMP / MOTOR .....	12
WHEELS / TIRES .....	14
BRAKE / DECK LIFT .....	16
MOWER DECK / CUTTING DECK.....	18
SEAT .....	20
GUARDS.....	22
DECALS.....	24
ACCESSORIES	
Collection Kit.....	26
Mulch Kit.....	30

NOTE: ALL FASTENERS ARE GRADE 5 UNLESS OTHERWISE SPECIFIED.

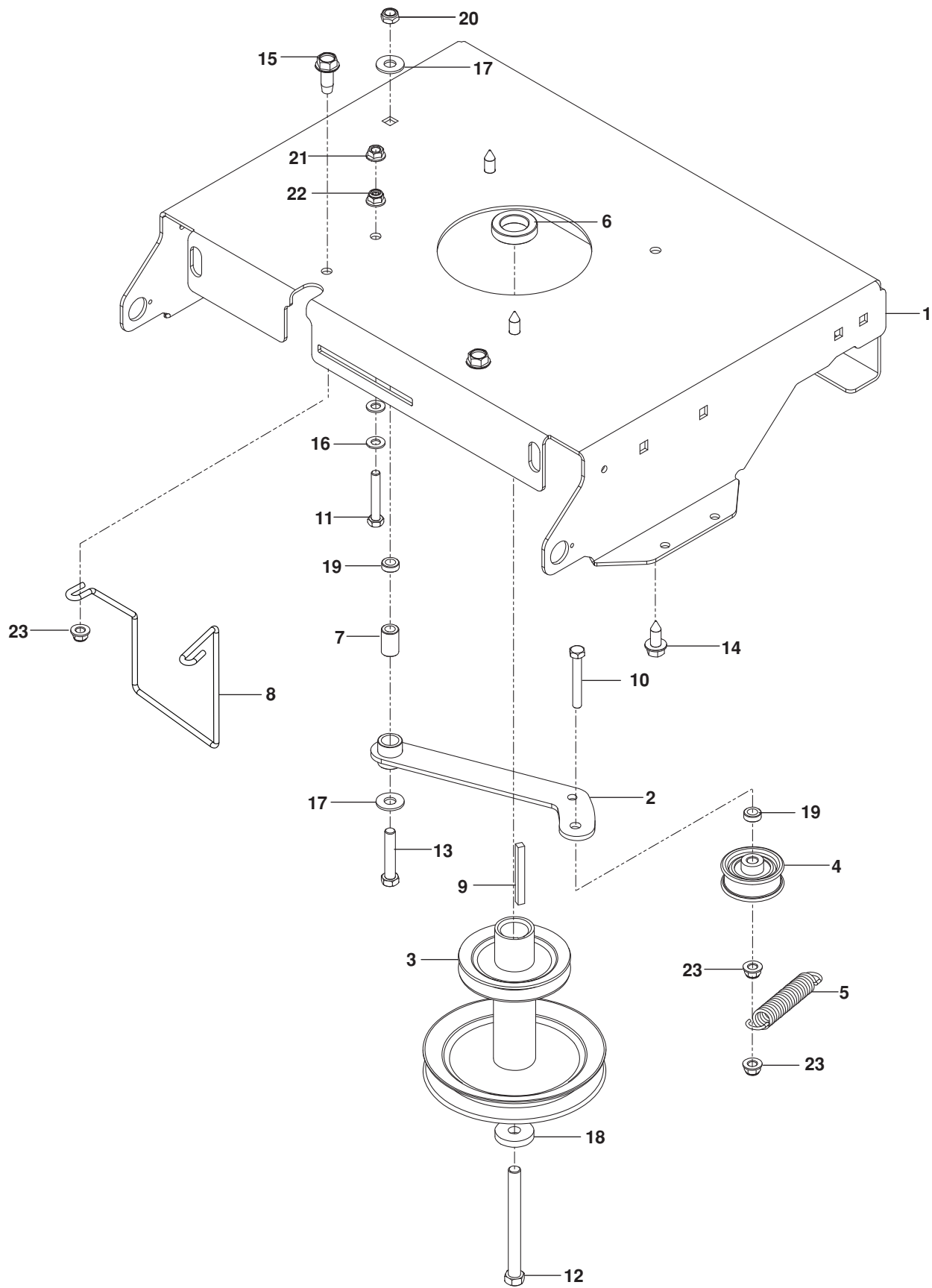
# FRAME



# FRAME

ITEM	PART NO.	QTY.	DESCRIPTION	ITEM	PART NO.	QTY.	DESCRIPTION
1..	525 454703....	1	....FRAME TUBE, LT BLU	17..	539 990629....	8	....HCS $\frac{3}{8}$ -16 x 2 $\frac{1}{4}$
2..	525 454903....	1	....FRAME TUBE, RT BLU	18..	539 976934....	2	....HCS $\frac{5}{16}$ -18 x $\frac{3}{4}$
3..	574 354703....	1	....BAR, IMPACT BLU	19..	539 101721....	2	....HCS $\frac{5}{16}$ -18 x 2 $\frac{3}{4}$
4..	575 661303....	1	....PANEL, SEAT SUPPORT BLU	20..	539 990580....	1	....HCS $\frac{1}{4}$ -20 x $\frac{3}{4}$
5..	577 677403....	1	....FOOT PLATE BLU	21..	539 990362....	4	....SCREW $\frac{1}{4}$ -20 x $\frac{5}{8}$ SLF TAP
6..	574 779802....	1	....FOOT REST BLU	22..	539 111976....	4	....BOLT $\frac{3}{8}$ -16 x 2 $\frac{5}{8}$ THD FRM
7..	525 605502....	1	....BRACKET, FRONT DECK BLK	23..	539 990645....	2	....RHSNB $\frac{3}{8}$ -16 x 1
8..	525 798402....	1	....SUPPORT, TANK BLK	24..	539 111785....	3	....RHSNB $\frac{3}{8}$ -16 x $\frac{3}{4}$
9..	575 328403....	1	....PLATE, RT BLU	25..	539 990316....	2	....RHSNB $\frac{5}{16}$ -18 x $\frac{3}{4}$
10..	575 328303....	1	....PLATE, LT BLU	26..	539 990188..	10	....WASHER $\frac{5}{16}$ SAE FLT
11..	539 976989....	2	....HAIRPIN	27..	539 990122..	17	....WASHER $\frac{3}{8}$ SAE FLT
12..	532 195161....	2	....STUD w/ ANTI-ROTATE	28..	539 976982....	2	....WASHER $\frac{5}{8}$ SAE FLT
13..	539 102587....	9	....GROMMET, BUMPER	29..	539 990055....	1	....WASHER $\frac{1}{4}$ FLT SAE
14..	539 104763....	4	....RETAINER, U TYPE $\frac{5}{16}$	30..	539 200282....	8	....NUT $\frac{3}{8}$ -16 HEX JAM NYLOC
15..	532 174814....	1	....RETAINER, U TYPE $\frac{1}{4}$	31..	521 996501..	12	....NUT $\frac{3}{8}$ -16 HEX FLG NYLOC
16..	539 976938....	4	....HCS $\frac{5}{16}$ -18 x 2 $\frac{1}{4}$	32..	539 112899..	13	....NUT $\frac{5}{16}$ -18 HEX FLG NYLOC

# ENGINE PLATE

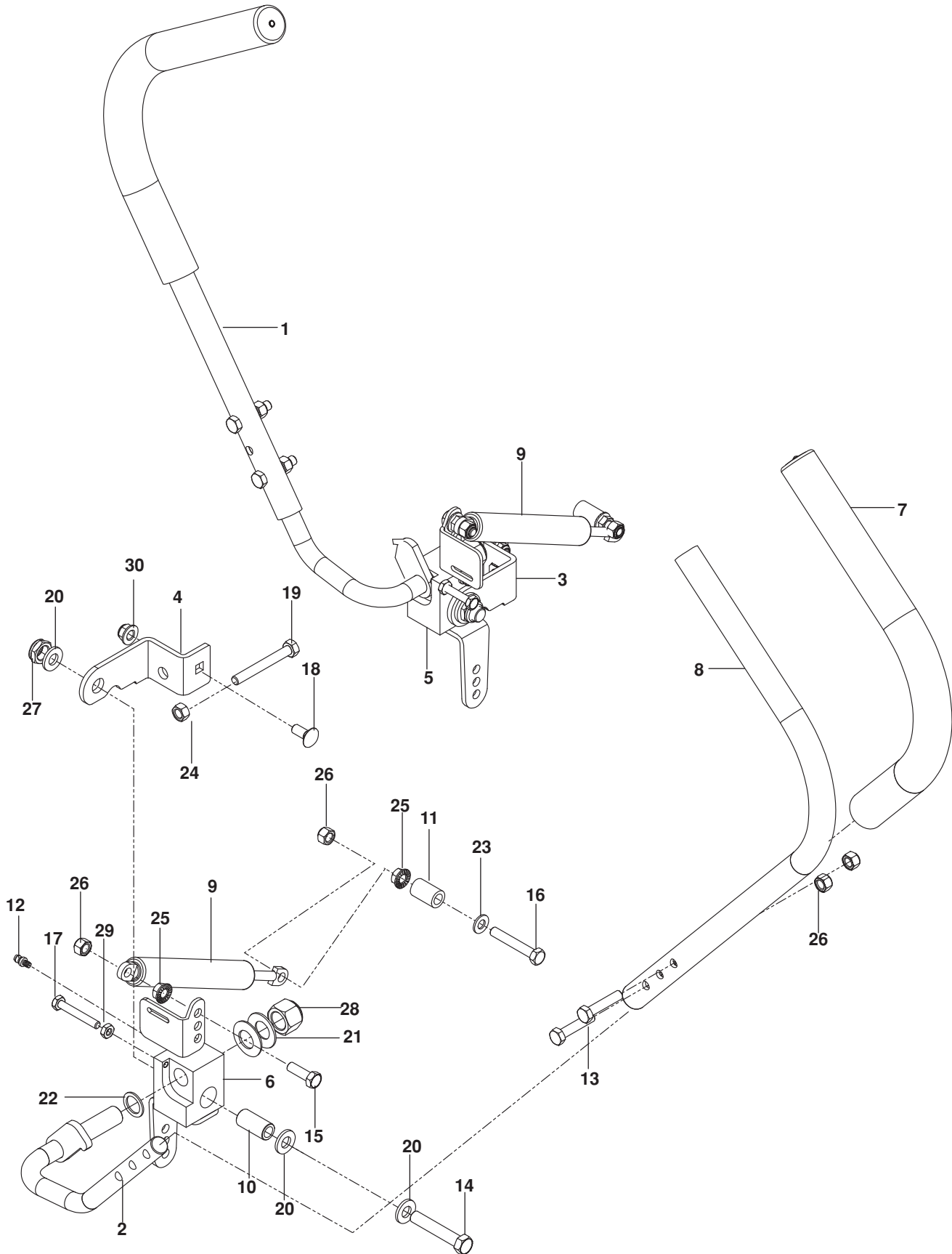


# ENGINE PLATE

---

ITEM	PART NO.	QTY.	DESCRIPTION	ITEM	PART NO.	QTY.	DESCRIPTION
1..	578 156303....	1	.... PLATE, ENGINE BLU	14..	532 120616....	3	.... HHFS $\frac{3}{8}$ -16 x 1 THD FRM
2..	574 497504....	1	.... ARM IDLER	15..	539 107476....	1	.... BOLT $\frac{3}{8}$ -16 x 1 THD FRM
3..	539 120812....	1	.... PULLEY, IDLER	16..	539 990188....	2	.... WASHER $\frac{5}{16}$ SAE FLT
4..	574 382001 ...	1	.... PULLEY, ENGINE	17..	539 990517....	2	.... WASHER $\frac{3}{8}$ STD FLT
5..	539 116350....	1	.... SPRING 3 $\frac{1}{2}$	18..	539 115546....	1	.... WASHER
6..	539 114387....	1	.... SPACER	19..	539 109562....	2	.... WASHER $\frac{3}{8}$ x $\frac{3}{4}$ SPEC
7..	539 115270....	1	.... BUSHING, METAL	20..	539 200282....	1	.... NUT $\frac{3}{8}$ -16 HEX JAM NYLOC
8..	581 770001....	1	.... KEEPER, BELT	21..	539 990585....	1	.... NUT $\frac{5}{16}$ -18 HEX WHIZLK
9..	539 917033....	1	.... KEY $\frac{1}{4}$ SQ x 2 $\frac{1}{2}$ LG	22..	539 112899....	1	.... NUT $\frac{5}{16}$ -18 HEX FLG NYLOC
10..	539 101350....	1	.... HCS $\frac{3}{8}$ -16 x 3 TPBLT	23..	521 996501....	2	.... NUT $\frac{3}{8}$ -16 HEX FLG NYLOC
11..	539 976937....	1	.... HCS $\frac{5}{16}$ -18 x 2	NOT SHOWN			
12..	574 882801....	1	.... HCS $\frac{7}{16}$ -20 x 4	575	934901 ...	1	.... GUARD, MUFFLER
13..	539 990588....	1	.... HCS $\frac{3}{8}$ -16 x 2	539	133026 ...	1	.... GUARD, ENGINE SCREEN

# STEERING



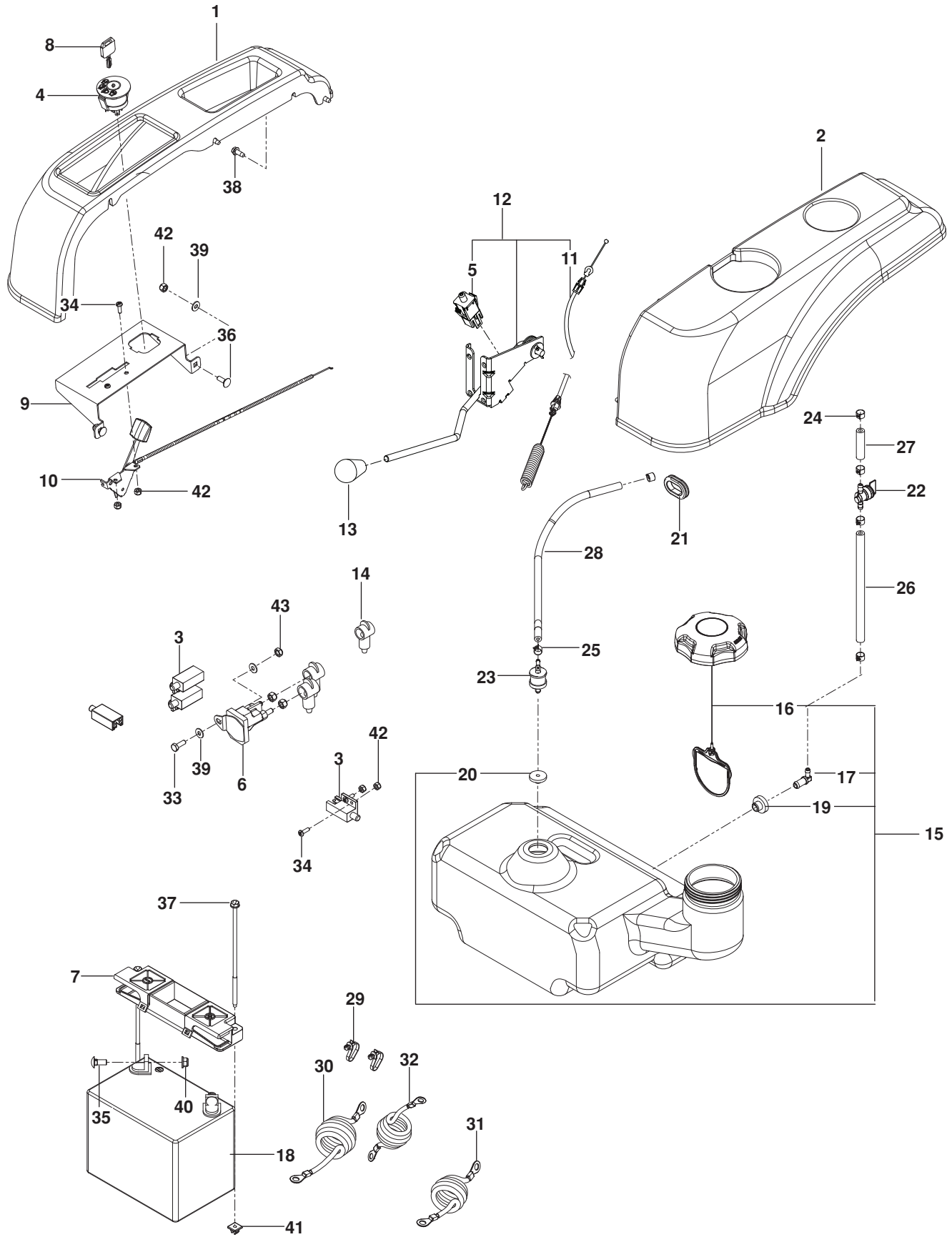


# STEERING

---

ITEM	PART NO.	QTY.	DESCRIPTION	ITEM	PART NO.	QTY.	DESCRIPTION
1..	539 120159....1	....	LOWER LEVER, RT	16..	539 976937....2	....	HCS $\frac{5}{16}$ -18 x 2
2..	539 120162....1	....	LOWER LEVER, LT	17..	539 991003....2	....	HCS $\frac{1}{4}$ -20 x $1\frac{3}{4}$
3..	539 117949....1	....	SUPPORT, STEER CNTRL RT	18..	539 990316....2	....	RHSNB $\frac{5}{16}$ -18 x $\frac{3}{4}$
4..	539 117950....1	....	SUPPORT, STEER CNTRL LT	19..	539 108396....2	....	HCS $\frac{5}{16}$ -18 x $2\frac{1}{2}$ TPBLT
5..	539 120984....1	....	PIVOT, RT	20..	539 990250....6	....	WASHER $\frac{1}{2}$ SAE
6..	539 120983....1	....	PIVOT, LT	21..	539 911121....4	....	WASHER $\frac{5}{8}$ BELLEVILLE
7..	539 120899....2	....	GRIP	22..	539 115570....2	....	WASHER, SPECIAL
8..	539 120160....2	....	LEVER, UPPER	23..	539 990188....2	....	WASHER $\frac{5}{16}$ SAE FLT
9..	539 114453....2	....	DAMPENER	24..	539 990196....2	....	NUT $\frac{5}{16}$ -18 HEX
10..	539 120956....2	....	BUSHING $\frac{1}{2}$ ID x $\frac{3}{4}$ OD	25..	539 990585....2	....	NUT $\frac{5}{16}$ -18 HEX WHIZLK
11..	539 119087....2	....	BUSHING	26..	539 990717....6	....	NUT $\frac{5}{16}$ -18 HEX NYLOC
12..	539 115638....2	....	ZERK	27..	539 108010....2	....	NUT $\frac{1}{2}$ -13 JAM NYLOC GR 2
13..	539 976935....4	....	HCS $\frac{5}{16}$ -18 x $1\frac{1}{2}$	28..	539 110340....2	....	NUT $\frac{5}{8}$ -11 NYLOC
14..	539 101332....2	....	HCS $\frac{1}{2}$ -13 x $2\frac{3}{4}$	29..	539 991112....2	....	NUT $\frac{1}{4}$ -20 JAM
15..	539 990209....2	....	HCS $\frac{5}{16}$ -18 x 1	30..	539 112899....2	....	NUT $\frac{5}{16}$ -18 HEX FLG NYLOC

# IGNITION

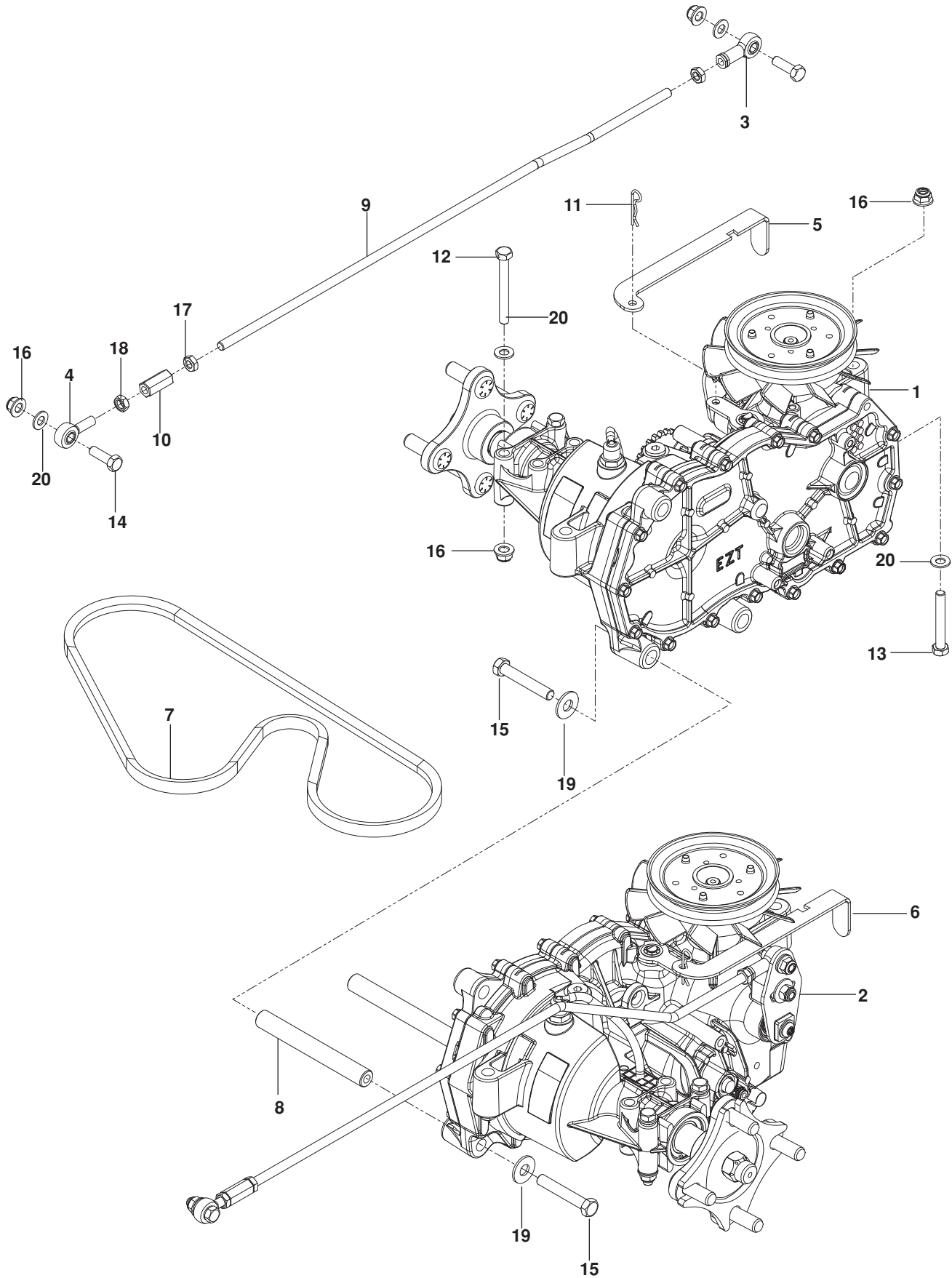


# IGNITION

---

ITEM	PART NO.	QTY.	DESCRIPTION	ITEM	PART NO.	QTY.	DESCRIPTION
1..	539 120193....	1	.... FENDER, RH	24..	539 912222....	4	.... CLAMP, HOSE
2..	539 120192....	1	.... FENDER, LH	25..	575 436501....	2	.... CLAMP, HOSE
3..	532 109553....	4	.... SWITCH	26..	539 115736....	1	.... HOSE 1/4 x 8
4..	539 107541....	1	.... SWITCH, IGNITION	27..	539 121486....	1	.... HOSE, 1/4 x 2
5..	532 176138....	1	.... SWITCH, INTERLOCK	28..	574 521305....	1	.... HOSE, FUEL, 3/16" x 20"
6..	539 101714....	1	.... SOLENOID	29..	505 280001....	2	.... WIRE TIE w/ CLIP
7..	539 107628....	1	.... HOLD DOWN, BATTERY	30..	539 104974....	1	.... CABLE, POSITIVE 31"
8..	539 107544....	1	.... KEY, IGNITION	31..	539 103306....	1	.... CABLE, POSITIVE 19"
9..	539 120178....	1	.... PANEL, CONTROL BLU	32..	539 110068....	1	.... CABLE, NEGATIVE 25"
10..	539 120222....	1	.... CABLE, THROTTLE	33..	874 780412....	1	.... HCS 1/4-20 x 3/4
11..	532 193235....	1	.... CABLE, CLUTCH	34..	539 976952..	10	.... SCREW #10-24 x 5/8
12..	575 661501....	1	.... CLUTCH ASSY w/ CABLE	35..	539 990316....	2	.... RHSNB 5/16-18 x 3/4
13..	539 132624....	1	.... KNOB, CLUTCH	36..	539 990074....	2	.... RHSNB 1/4-20 x 3/4 GR 2
14..	539 116400....	3	.... TERMINAL COVER, SM	37..	532 145211....	2	.... BOLT 1/4 x 7 1/2
15..	576 646403....	1	.... TANK ASSY, FUEL	38..	539 990362....	9	.... SCREW 1/4-20 x 5/8 SLF TAP
16..	575 018101....	1	.... CAP, FUEL w/ TETHER	39..	539 990055....	4	.... WASHER 1/4 FLT SAE
17..	539 110432....	1	.... ELBOW	40..	539 112899....	2	.... NUT 5/16-18 HEX FLG NYLOC
18..	539 102436....	1	.... BATTERY	41..	539 107629....	2	.... NUT 1/4 PUSH NYLON
19..	539 105245....	1	.... GROMMET, RUBBER	42..	539 976977..	10	.... NUT #10-24 HEX NYLOC
20..	576 618201....	1	.... GROMMET, CHECK VALVE	43..	873 800400....	3	.... NUT 1/4-20 HEX NYLOC
21..	539 105974....	1	.... GROMMET, RUBBER	NOT SHOWN			
22..	539 916325....	1	.... VALVE, FUEL	585 507101 ...	1	.... WIRING HARNESS	
23..	576 618101....	1	.... VALVE, FUEL CHECK				

# HYDRAULIC PUMP / MOTOR

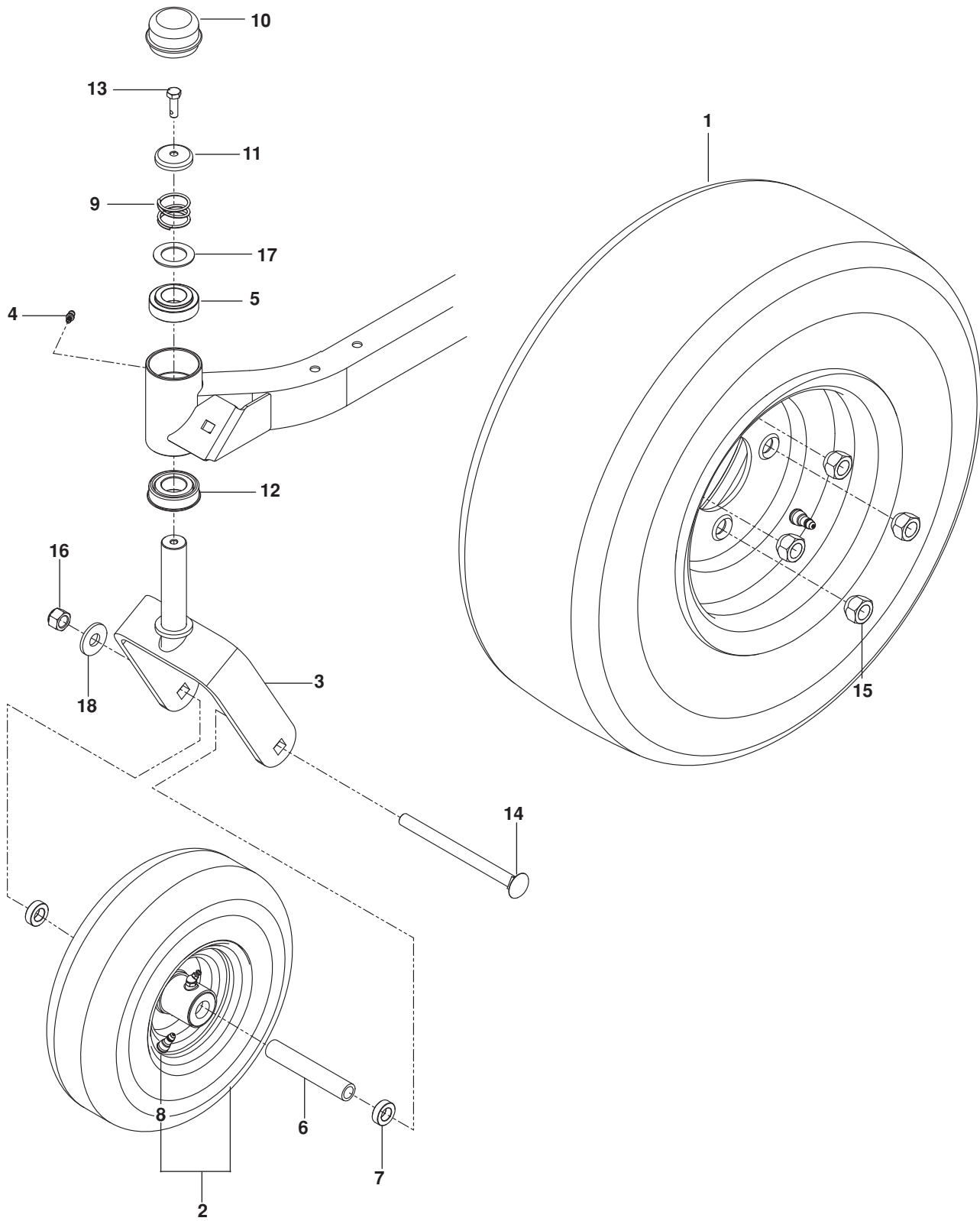


# HYDRAULIC PUMP / MOTOR

---

ITEM	PART NO.	QTY.	DESCRIPTION	ITEM	PART NO.	QTY.	DESCRIPTION
1..	539 120152....1	....	HYDRO, RT	11..	539 976988....2	....	HAIRPIN COTTER
2..	539 120153....1	....	HYDRO, LT	12..	539 101721....4	....	HCS $\frac{5}{16}$ -18 x $2\frac{3}{4}$
3..	539 115729....2	....	ROD END, RT	13..	539 976938....2	....	HCS $\frac{5}{16}$ -18 x $2\frac{1}{4}$
4..	539 116690....2	....	ROD END, MALE LT	14..	539 990209....4	....	HCS $\frac{5}{16}$ -18 x 1
5..	539 120157....1	....	RELEASE HANDLE, RT	15..	539 990629....4	....	HCS $\frac{3}{8}$ -16 x $2\frac{1}{4}$
6..	539 120156....1	....	RELEASE HANDLE, LT	16..	539 112899..10	....	NUT $\frac{5}{16}$ -18 HEX FLG NYLOC
7..	575 852401....1	....	BELT, EZT	17..	539 115502....4	....	NUT $\frac{5}{16}$ -24 HEX JAM
8..	574 356501....2	....	SPACER, HYDRO	18..	539 991073....2	....	NUT $\frac{5}{16}$ -24 HEX JAM LT
9..	539 120169....2	....	ROD, CONTROL	19..	539 990517....4	....	WASHER $\frac{3}{8}$ STD FLT
10..	539 116689....2	....	ROD END COUPLER	20..	539 990188..10	....	WASHER $\frac{5}{16}$ SAE FLT

# WHEELS / TIRES

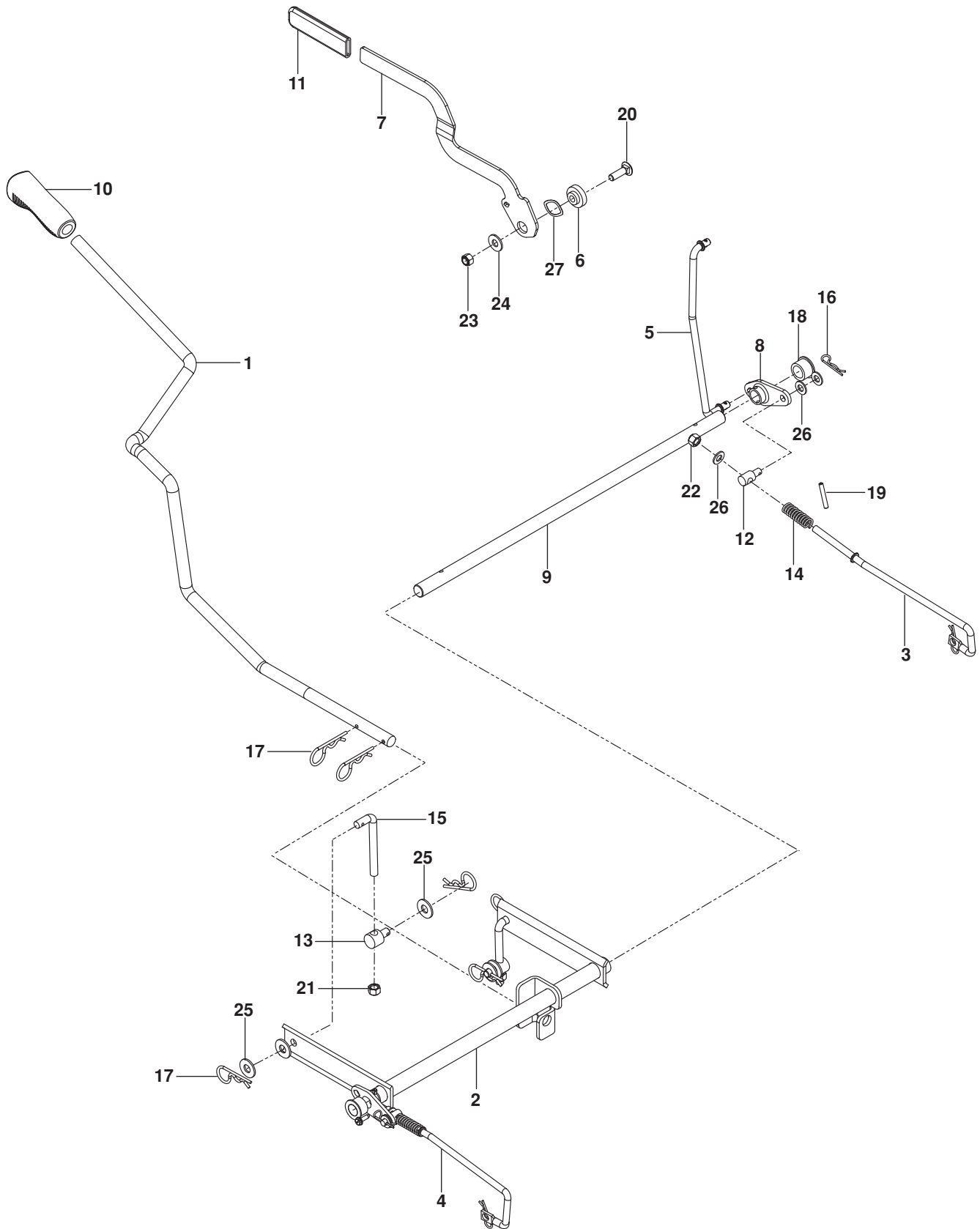


# WHEELS / TIRES

---

ITEM	PART NO.	QTY.	DESCRIPTION	ITEM	PART NO.	QTY.	DESCRIPTION
1..	581 197901....2	....	WHEEL ASSY REAR	10..	539 102535....2	....	CAP, GREASE
2..	581 199701....2	....	CASTER TIRE ASSY	11..	539 115749....2	....	PLUG, CASTER
3..	539 123593....2	....	YOKE, CASTER BLU	12..	539 112660....2	....	BEARING, FLANGED
4..	539 115638....2	....	ZERK	13..	539 115566....2	....	HHB $\frac{5}{16}$ -18 x 1 NYLOC
5..	539 117901....2	....	BUSHING, CASTER	14..	539 121159....2	....	RHSNB $\frac{1}{2}$ -13 x $6\frac{1}{2}$
6..	584 653101....2	....	SPACER	15..	539 101173....8	....	NUT $\frac{1}{2}$ LUG
7..	581 269201....4	....	SPACER $\frac{5}{16}$	16..	539 200100....2	....	NUT $\frac{1}{2}$ HEX CNTRLK
8..	539 912234....4	....	VALVE	17..	539 115675....2	....	WASHER
9..	539 115747....2	....	SPRING, CASTER	18..	539 109554....2	....	WASHER $\frac{1}{2}$ FLT

# BRAKE / DECK LIFT



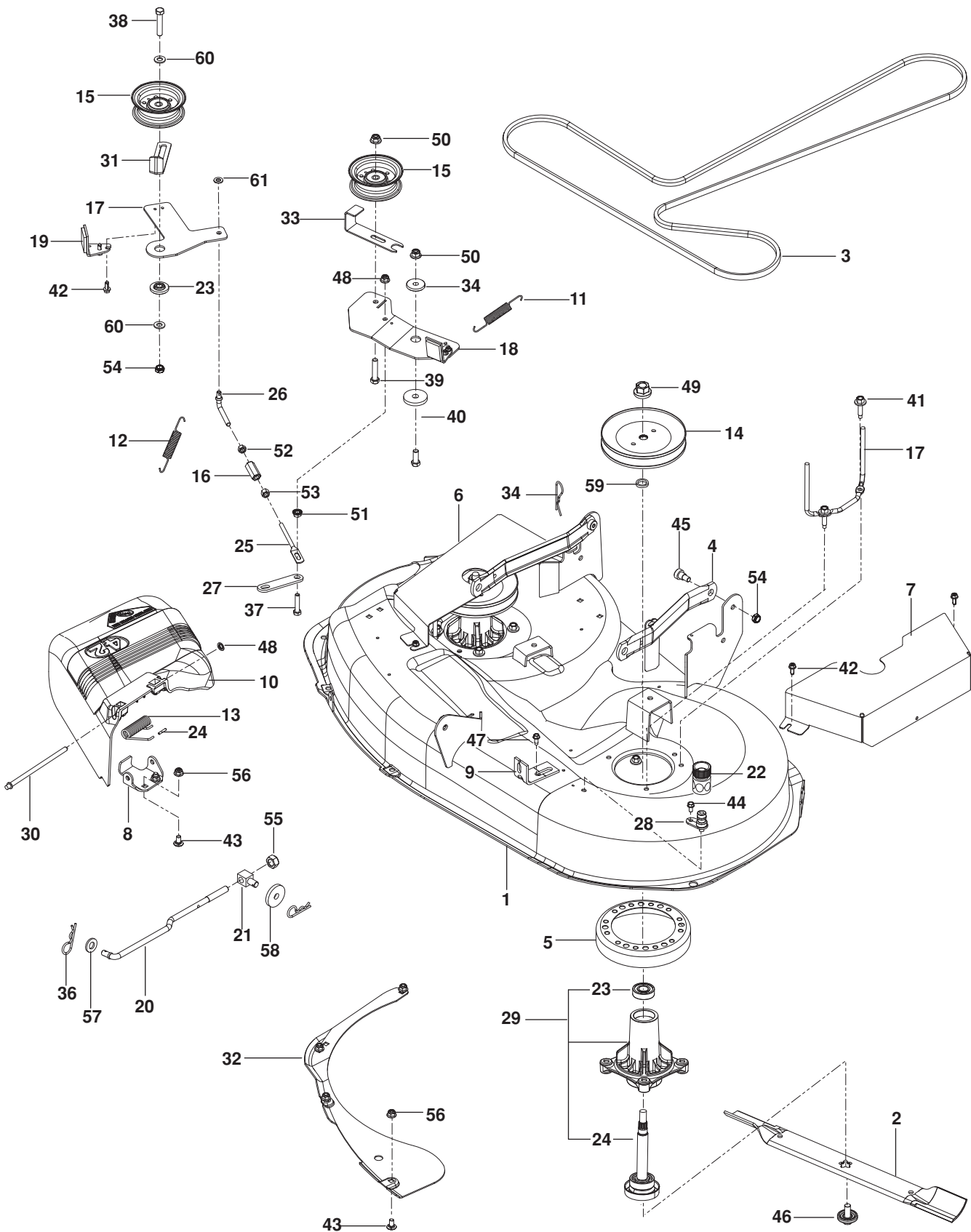


## BRAKE / DECK LIFT

---

ITEM	PART NO.	QTY.	DESCRIPTION	ITEM	PART NO.	QTY.	DESCRIPTION
1..	525 580402....	1	.... HANDLE, LIFT BLK	15..	539 115658....	2	.... L-ROD 3½"
2..	574 356802....	1	.... SHAFT, LIFT BLK	16..	539 976988....	4	.... HAIRPIN COTTER
3..	525 583601....	1	.... LINKAGE, BRAKE RT	17..	539 976989....	6	.... HAIRPIN
4..	525 583701....	1	.... LINKAGE, BRAKE LT	18..	539 109368....	2	.... BUSHING, PLASTIC
5..	525 735701....	1	.... LINKAGE, UPPER	19..	539 101082....	2	.... PIN 3/16 x 1¼ ROLL
6..	539 120220....	1	.... PIVOT, BRAKE ARM	20..	539 100413....	1	.... RHSNB 3/8-16 x 1¼
7..	525 485602....	1	.... HANDLE, BRAKE	21..	539 976979....	3	.... NUT 3/8-16 HEX NYLOC
8..	525 580201....	2	.... BELLCRANK, BRAKE	22..	539 990717....	2	.... NUT 5/16-18 HEX NYLOC
9..	574 356601....	1	.... ROD, BRAKE	23..	539 200282....	1	.... NUT 3/8-16 HEX JAM NYLOC
10..	532 196492....	1	.... GRIP, LIFT HANDLE	24..	539 102843....	1	.... WASHER 7/16 SPRING DISK
11..	539 120921....	1	.... GRIP, BRAKE HANDLE	25..	539 990517....	6	.... WASHER 3/8 FLAT STD
12..	539 112308....	2	.... SWIVEL, BRAKE	26..	539 990188....	6	.... WASHER 5/16 SAE FLAT
13..	539 118179....	2	.... SWIVEL	27..	539 133007....	1	.... WASHER, .825 WAVE
14..	539 101224....	2	.... SPRING				

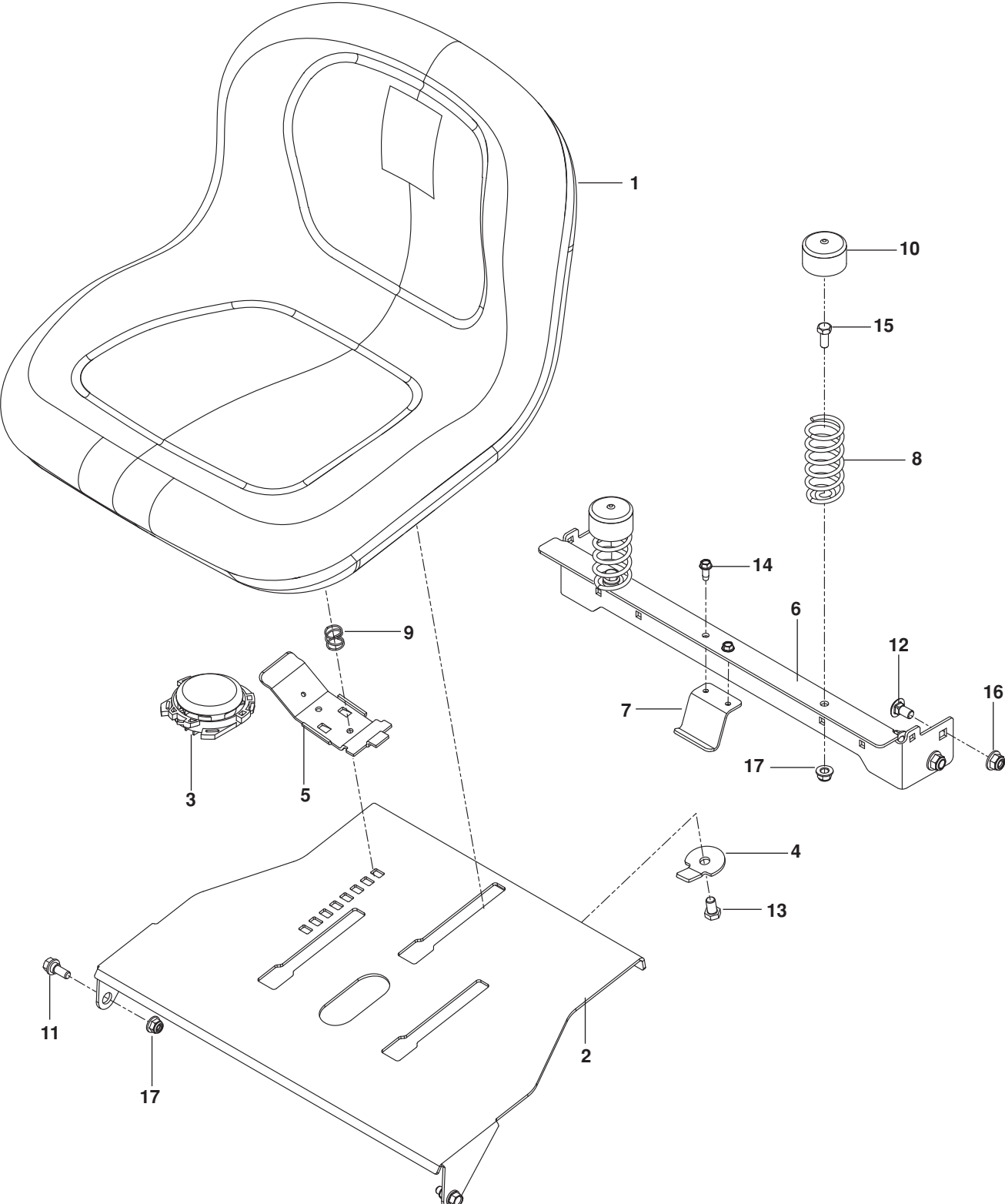
# MOWER DECK / CUTTING DECK



# MOWER DECK / CUTTING DECK

ITEM	PART NO.	QTY.	DESCRIPTION	ITEM	PART NO.	QTY.	DESCRIPTION
1..	575 699802....	1	.... DECK w/ SAFETY DECALS	32..	539 110463....	1	.... BAFFLE, DECK
2..	532 134149....	2	.... BLADE 42"	33..	577 209101....	1	.... KEEPER, BELT
3..	581 805901....	1	.... BELT	34..	532 199092....	2	.... SPACER RETAINER
4..	532 195185....	2	.... SUSPENSION ARM, REAR	35..	532 165898....	1	.... RETAINER
5..	539 107518....	2	.... STRIPPER, ROUND	36..	539 976989....	2	.... HAIRPIN#4
6..	575 754602....	1	.... BELT SHIELD, RT	37..	539 976935....	1	.... HCS $5/16$ -18 x $1\frac{1}{2}$
7..	575 754502....	1	.... BELT SHIELD, LT	38..	539 990588....	1	.... HCS $3/8$ -16 x 2
8..	532 192557....	1	.... BRACKET, DEFLECTOR	39..	539 990730....	1	.... HCS $3/8$ -16 x $1\frac{3}{4}$
9..	532 417645....	1	.... BRACKET, CLUTCH CABLE	40..	539 990563....	1	.... HCS $3/8$ -16 x 1
10..	532 193108....	1	.... SHIELD, DEFLECTOR	41..	539 107630....	8	.... SCREW $5/16$ -18 WSH HD
11..	532 401872....	1	.... SPRING, RETURN	42..	539 107631....	8	.... SCREW $1/4$ -20 x $5/8$
12..	581 542601....	1	.... SPRING, BRAKE RETURN	43..	539 990799....	8	.... RHSNB $5/16$ -18 x $5/8$
13..	539 110328....	1	.... SPRING, TORSION	44..	539 990134....	1	.... BOLT 10-24 x $5/8$ WSH HD
14..	532 195945....	2	.... PULLEY, MANDREL	45..	539 113621....	2	.... BOLT $3/8$ -16 x $3/8$ SKT HD
15..	532 177968....	1	.... PULLEY, IDLER	46..	532 193003....	2	.... BOLT, WASHER
16..	539 116689....	1	.... COUPLER	47..	817 000510....	1	.... BOLT $5/16$ -18
17..	574 693302....	1	.... ARM, BRAKE	48..	539 110452....	1	.... PUSHNUT
18..	574 694502....	1	.... ARM, IDLER	49..	539 107590....	2	.... NUT $9/16$ TOP CNTRLK
19..	529 311801....	2	.... ARM, LT BRAKE	50..	521 996501....	2	.... NUT $3/8$ -16 HEX FLG NYLOC
20..	532 195740....	1	.... LINK, SUSPENSION	51..	539 990585....	1	.... NUT $5/16$ -18 HEX WHIZLK
21..	581 514301....	1	.... SWIVEL	52..	539 991073....	1	.... NUT $5/16$ -24 LH THREAD
22..	532 416405....	1	.... COUPLING, CONNECT	53..	539 990223....	1	.... NUT $5/16$ -24 HEX
23..	532 110485....	3	.... BEARING	54..	539 200282....	3	.... NUT $3/8$ -16 HEX JAM NYLOC
24..	532 192872....	3	.... SHAFT	55..	573 975201....	1	.... NUT $7/16$ -20 HEX NYLOC
25..	581 866301....	1	.... LINK	56..	539 112899....	9	.... NUT $5/16$ -18 HEX FLG NYLOC
26..	581 866201....	1	.... LINK, PINNED END	57..	539 990250....	1	.... WASHER, SAE
27..	581 542701....	1	.... PLATE, ATTACHMENT	58..	539 106504....	1	.... WASHER, HEAVY
28..	532 415598....	1	.... PORT, WASHOUT	59..	539 107520....	2	.... WASHER, SPACER
29..	532 192870....	2	.... MANDREL	60..	539 990122....	2	.... WASHER $3/8$ SAE FLT
30..	539 110462....	1	.... ROD, HINGE	61..	539 990188....	1	.... WASHER $5/16$ SAE FLT
31..	525 851801....	1	.... GUIDE, BELT				

# SEAT

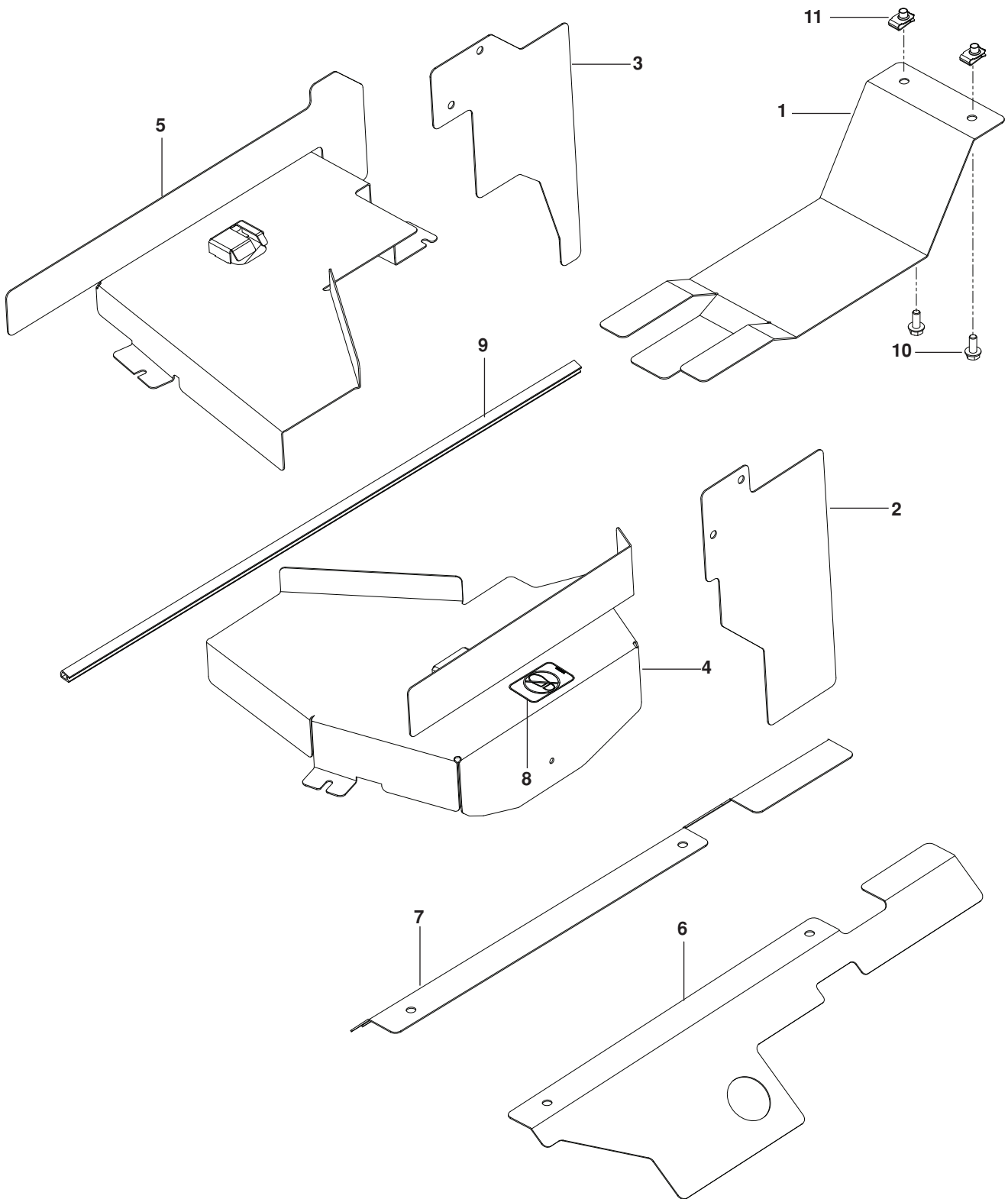


# SEAT

---

ITEM	PART NO.	QTY.	DESCRIPTION	ITEM	PART NO.	QTY.	DESCRIPTION
1..	532 406625....	1	.... SEAT	10..	539 119884....	2	.... CAP, SPRING
2..	574 356303....	1	.... PLATE, SEAT BLU	11..	539 110303....	2	.... BOLT $\frac{5}{16}$ -SHOULDER
3..	539 132140....	1	.... SWITCH, SEAT N/C	12..	539 111785....	3	.... RHSNB $\frac{3}{8}$ -16 x $\frac{3}{4}$
4..	574 191002....	1	.... STOP, SEAT	13..	539 108503....	1	.... HCS $\frac{3}{8}$ -16 x $\frac{5}{8}$
5..	532 197661....	1	.... HANDLE, SEAT SLIDE	14..	539 990362....	2	.... SCREW $\frac{1}{4}$ -20 x $\frac{5}{8}$ SLF TAP
6..	574 356403....	1	.... SEAT SUPPORT, REAR BLU	15..	539 976934....	2	.... HCS $\frac{5}{16}$ -18 x $\frac{3}{4}$
7..	525 864502....	1	.... BRACKET, FUEL TANK BLK	16..	521 996501....	3	.... NUT $\frac{3}{8}$ -16 HEX FLG NYLOC
8..	539 122632....	2	.... SPRING, SEAT	17..	539 112899....	4	.... NUT $\frac{5}{16}$ -18 HEX FLG NYLOC
9..	532 198200....	1	.... SPRING, SEAT SLIDE				

# GUARDS

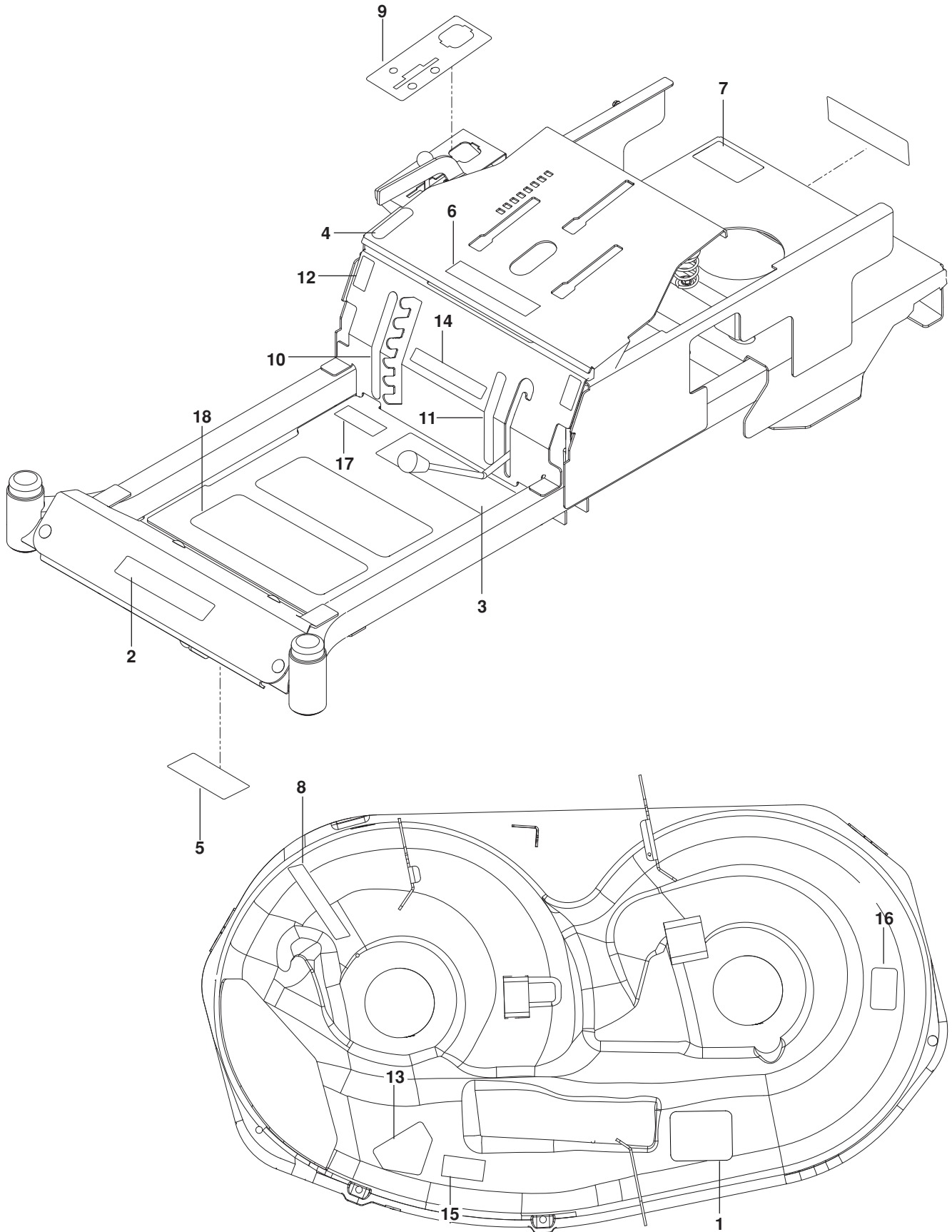


# GUARDS

---

ITEM	PART NO.	QTY.	DESCRIPTION	ITEM	PART NO.	QTY.	DESCRIPTION
1..	578 019002....	1 ....	GUARD, REAR BLK	7..	578 018904....	1 ....	GUARD, WALL RT BLK
2..	578 019103....	1 ....	GUARD, FLAT WALL LT BLK	8..	581 724301....	2 ....	DECAL, NO STEP
3..	578 019104....	1 ....	GUARD, FLAT WALL RT BLK	9..	539 112294....	1 ....	FLEX TRIM BLK
4..	578 018403....	1 ....	GUARD, BELT COVER LT BLK	10..	525 464701....	2 ....	HHFS $\frac{5}{16}$ -18 x $\frac{3}{4}$
5..	578 018404....	1 ....	GUARD, BELT COVER RT BLK	11..	539 104763....	2 ....	RETAINER, U TYPE $\frac{5}{16}$
6..	578 018903....	1 ....	GUARD, WALL LT BLK				

# DECALS





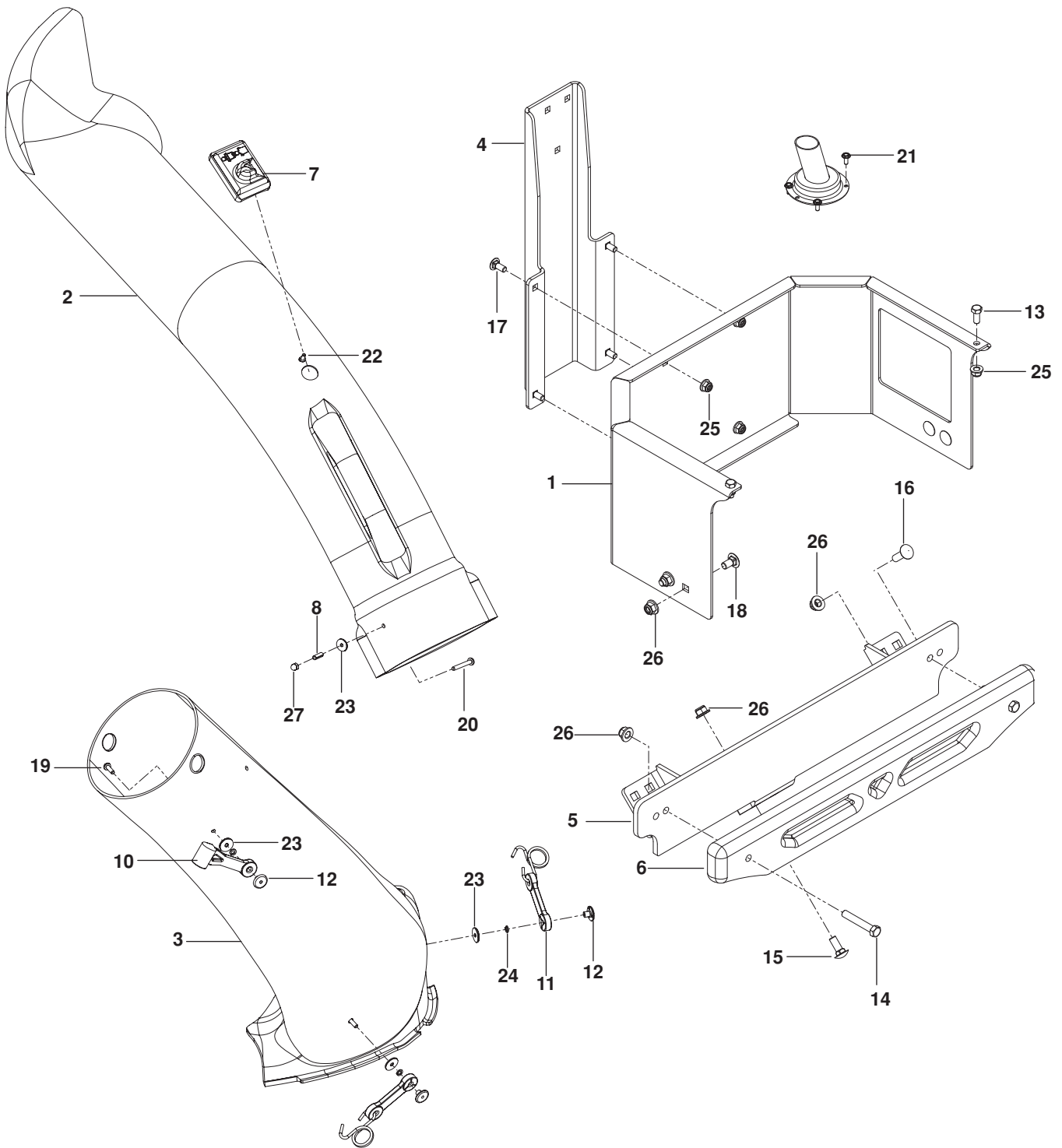
# DECALS

---

ITEM	PART NO.	QTY.	DESCRIPTION	ITEM	PART NO.	QTY.	DESCRIPTION
1..	510 240201....	1	....DECAL, BELT ROUTING	10..	525 814201....	1	....DECAL, DECK HEIGHT
2..	576 960001....	2	....DECAL, DIXON	11..	525 814301....	1	....DECAL, BLADE ENGAGE
3..	539 109908....	1	....DECAL, SAFETY GRAPHICS	12..	576 953501....	2	....DECAL, MOTION CONTROL
4..	576 953701....	1	....DECAL, PARK BRAKE	13..	539 913010....	1	....DECAL, BLADE WARNING
5..	539 109897....	1	....DECAL, SERVICE	14..	525 865801....	1	....DECAL, SPEEDZTR
6..	539 105745....	1	....DECAL, BATTERY WARNING	15..	539 105746....	1	....DECAL, SEVERING
7..	539 108385....	1	....DECAL, DO NOT TOW	16..	539 103491....	1	....DECAL, 42
8..	581 579201....	1	....DECAL, DEFLECTOR	17..	539 200759....	1	....DECAL, SOUND POWER
9..	576 967501....	1	....DECAL, CONTROL PANEL	18..	539 977778....	2	....PAD, ABRASIVE

# ACCESSORIES

## MOUNTS, WEIGHTS, CHUTES



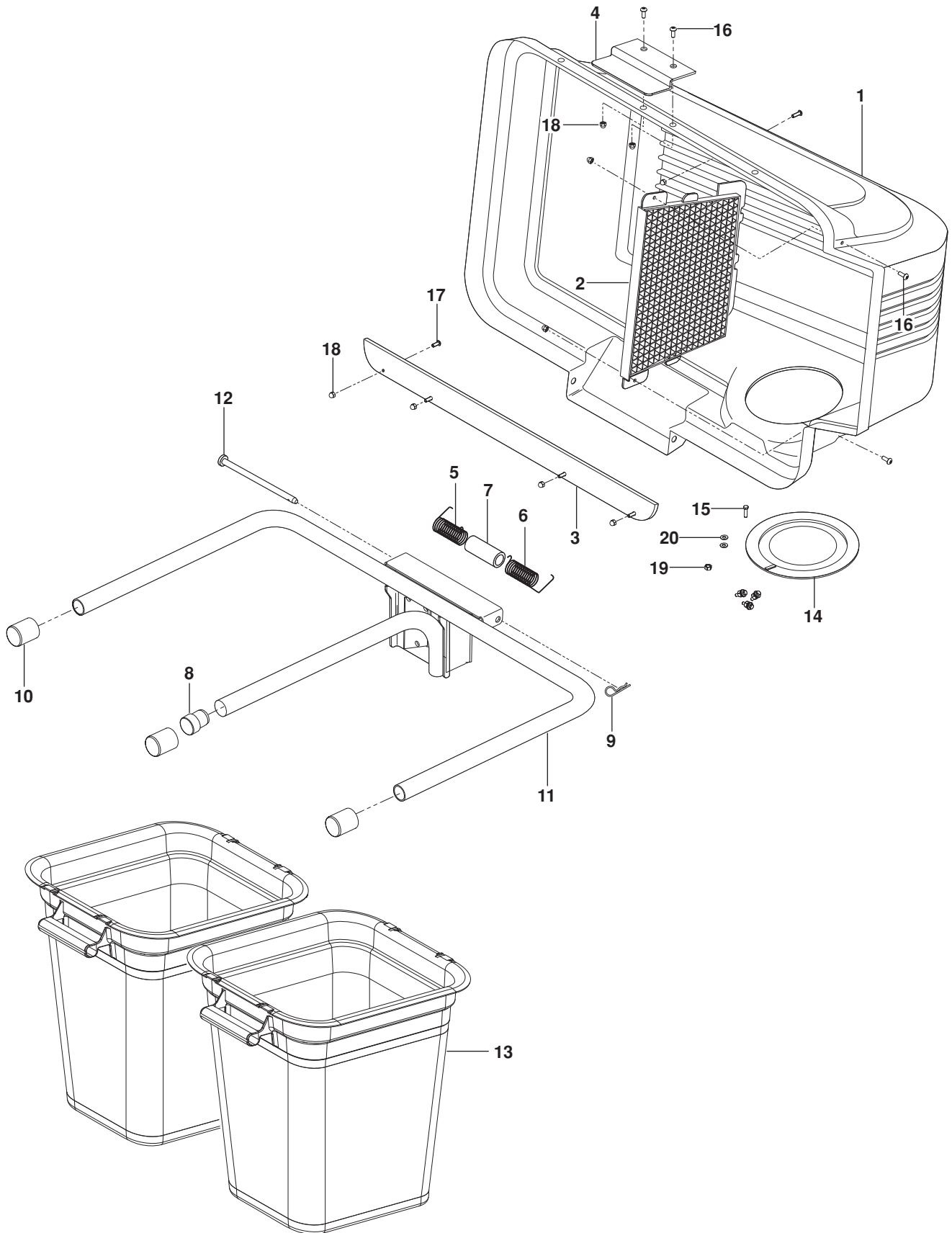
# ACCESSORIES

---

ITEM	PART NO.	QTY.	DESCRIPTION	ITEM	PART NO.	QTY.	DESCRIPTION
1..	574 031006....	1	.... GUARD, REAR	15..	539 990645....	1	.... RHSNB $\frac{3}{8}$ -16 x 1
2..	539 108141....	1	.... CHUTE, UPPER	16..	539 100413....	2	.... RHSNB $\frac{3}{8}$ -16 x $1\frac{1}{4}$
3..	575 494401....	1	.... CHUTE, LOWER	17..	539 990316....	4	.... RHSNB $\frac{5}{16}$ -18 x $\frac{3}{4}$
4..	574 031102....	1	.... BRACKET, HANGER	18..	539 111785....	4	.... RHSNB $\frac{3}{8}$ -16 x $\frac{3}{4}$
5..	574 255502....	1	.... BRACKET, WEIGHT	19..	539 976952....	2	.... SCREW #10-24 x $\frac{5}{8}$
6..	539 113177....	1	.... CAST WEIGHT	20..	539 108083....	1	.... SCREW #10-24 x $1\frac{1}{8}$
7..	539 108082....	1	.... BAG INDICATOR	21..	539 115537....	4	.... SCREW #10-16 x $\frac{1}{2}$
8..	539 108085....	1	.... SPACER, SPLIT	22..	539 108081....	1	.... SCREW #10-14 x $\frac{1}{2}$
9..	539 131601....	1	.... EXTENSION, MUFFLER	23..	539 108084....	4	.... WASHER $\frac{3}{16}$ x $\frac{3}{4}$ x 16 GA
10..	539 108088....	1	.... LATCH, HOOD	24..	539 109552....	3	.... WASHER $\frac{3}{16}$ LOCK
11..	539 108194....	2	.... LATCH ASSY	25..	539 112899....	6	.... NUT $\frac{5}{16}$ -18 HEX FLG NYLOC
12..	539 108089....	6	.... PLATED, WELD NUT	26..	521 996501....	7	.... NUT $\frac{3}{8}$ -16 HEX FLG
13..	539 990206....	2	.... HCS $\frac{5}{16}$ -18 x $\frac{3}{4}$	27..	539 108086....	1	.... NUT #10-24 ACORN
14..	539 990629....	2	.... HCS $\frac{3}{8}$ -16 x $2\frac{1}{4}$				

# ACCESSORIES

## BAGGER



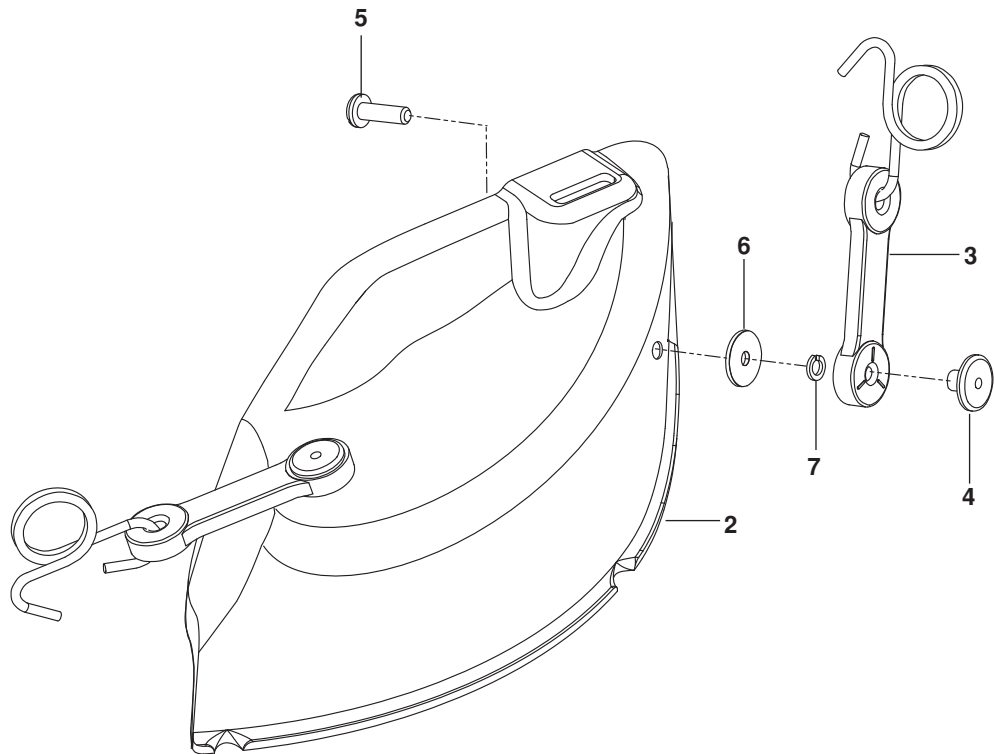
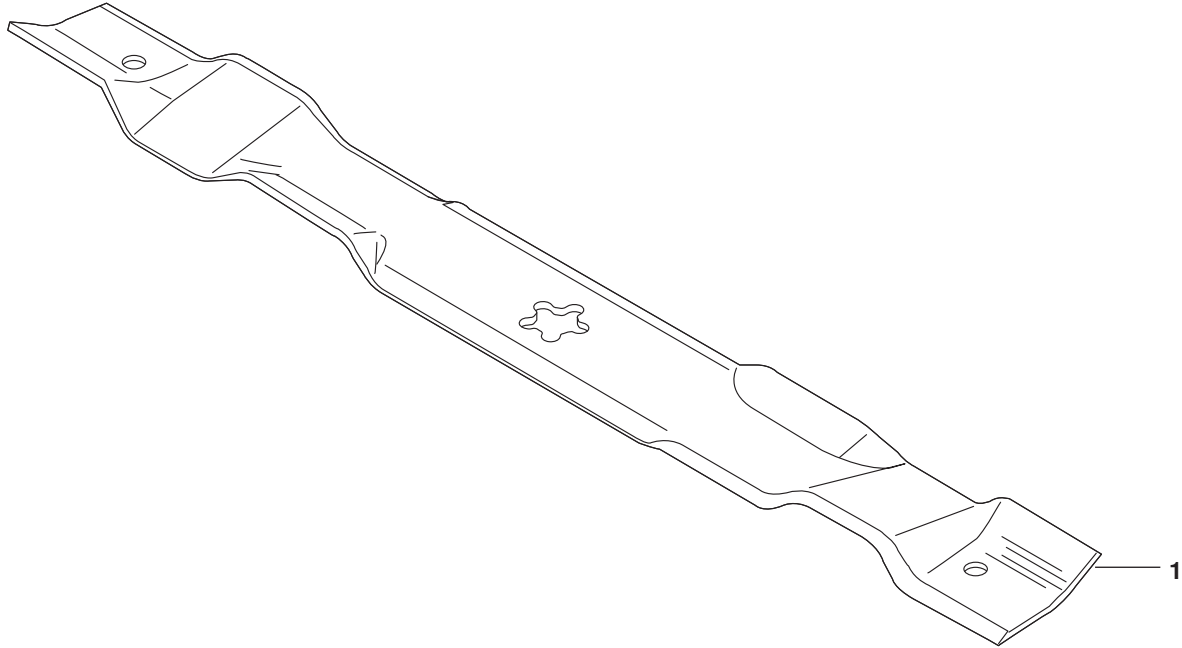
# ACCESSORIES

---

ITEM	PART NO.	QTY.	DESCRIPTION	ITEM	PART NO.	QTY.	DESCRIPTION
1..	539 111139....	1	COVER ASSY	11..	532 179746....	1	BAGGER, FRAME
2..	532 127533....	1	SCREEN, COVER	12..	532 128600....	1	PIN, HINGE
3..	532 155042....	1	STRIP, REINFORCEMENT	13..	532 400226....	2	CONTAINER, SOFT BAG
4..	532 130895....	1	LATCH HANDLE, COVER	14..	532 127534....	1	GASKET
5..	532 132796....	1	SPRING, COVER, LH	15..	539 106312....	4	SCREW 10-24 x 3/4 HEX GR 2
6..	532 132983....	1	SPRING, COVER RH	16..	539 976952....	5	SCREW 10-24 x 5/8
7..	532 133235....	1	SPACER, COVER	17..	539 108081....	4	SCREW 10-24 x 1/2
8..	522 801301....	1	SPACER, PLUG	18..	539 108086....	9	NUT 10-24 ACORN
9..	532 085902....	1	RETAINER, SPRING	19..	539 976977....	4	NUT 10-24 HEX NYLOC
10..	532 174083....	3	CAP, TUBING END	20..	539 105408....	8	WASHER 10 FLAT

# ACCESSORIES

## MULCH KIT



# ACCESSORIES

---

ITEM	PART NO.	QTY.	DESCRIPTION
1..	532 134149....1	....	BLADE, MULCH
2..	532 193107....1	....	PLATE, MULCHER
3..	539 108194....2	....	LATCH ASSY
4..	539 108089....2	....	WELD NUT, PLATED

ITEM	PART NO.	QTY.	DESCRIPTION
5..	539 976952....2	....	SCREW 10-24 x $\frac{5}{8}$
6..	539 108084....2	....	WASHER $\frac{3}{16}$ x $\frac{3}{4}$ 16 GA
7..	539 109552....2	....	WASHER $\frac{3}{16}$ LOCK

**DIXON<sup>®</sup>ZTR<sup>®</sup>**