

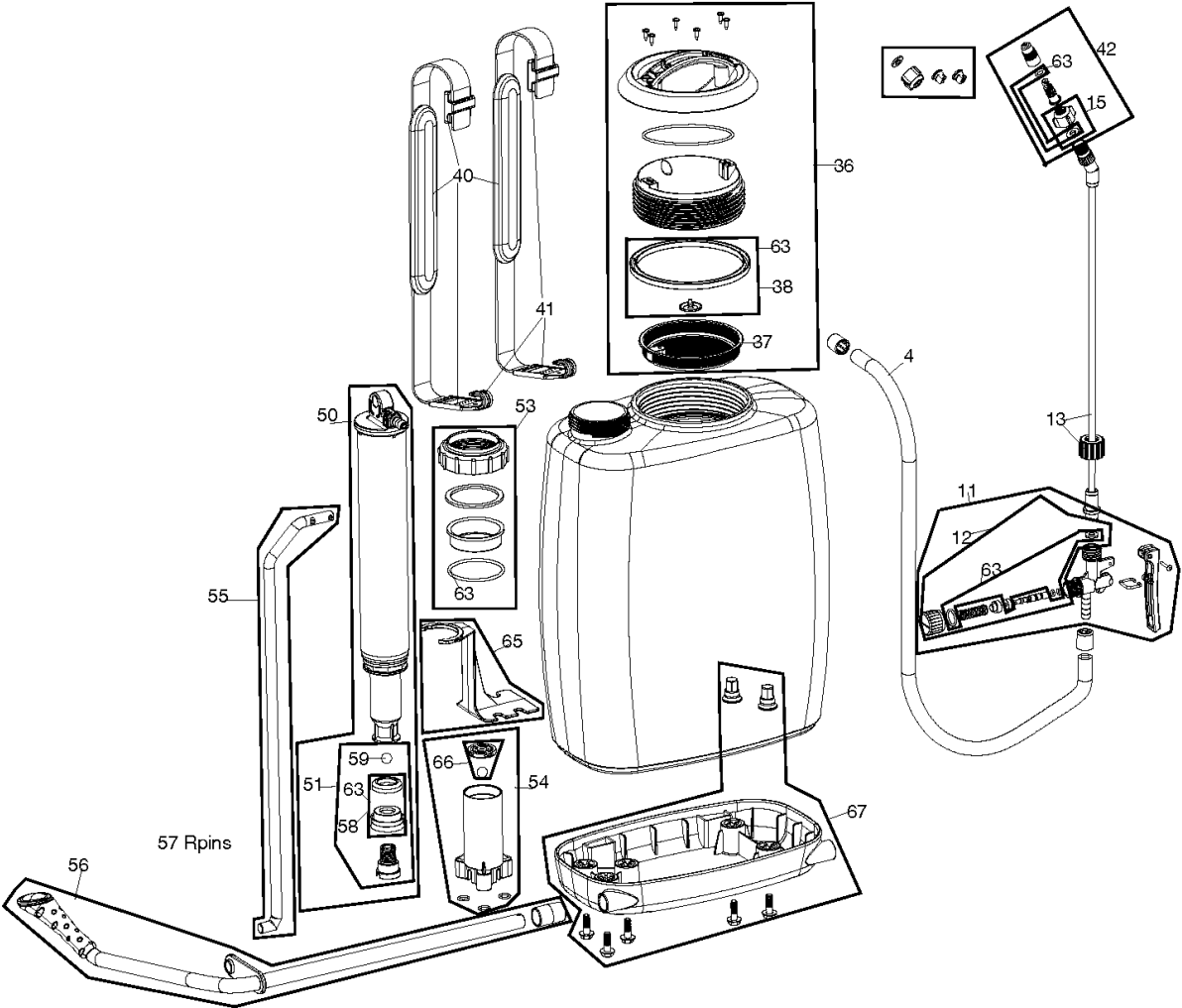


SPARE PARTS LIST

SPRAYERS

BM 46I, 2013-10

BM46i



PRODUCT COMPLETE

BM 46I, 2013-10

Ref	Part no.	Description	Remark	Qty	Kit
4	574 15 17-01	HOSE AND 2 HOSE CLAMPS			
11	574 15 18-01	COMPLETE SPRAY PISTOL			
12	574 15 23-01	SPINDLE SET			
13	574 15 26-01	BRASS SPRAY WAND 20"			
15	574 15 27-01	NOZZLE HOLDER			
16	585 83 03-01	SPRAYER			
36	585 82 97-06	SPRAYER			
37	585 83 03-06	SPRAYER			
38	574 14 93-01	SEAL			
40	585 83 03-08	SPRAYER			
41	585 83 03-09	SPRAYER			
42	574 15 28-01	ADJ BRASS NOZZLE WITH HOLDER			
44	574 15 39-01	PLASTIC SPRAY TIP SET (2-8004)			
53	574 15 13-01	PUMP UNIT THREADED HOLDER			
54	574 15 50-01	COMPLETE CYLINDER			
55	585 83 03-10	SPRAYER			
56	585 83 03-11	SPRAYER			
57	574 15 19-01	LOCKING PIN-PUMP HANDLE (SML)			
58	574 15 10-01	2-LIP PISTON CUP & PLASTIC CUP			
59	574 15 21-01	PLASTIC BALL			
63	585 83 03-12	SPRAYER			
64	585 83 03-13	SPRAYER			
65	574 15 11-01	AGITATOR			
66	574 15 49-01	PLASTIC GRATE FOR CYLINDER			
67	585 82 97-08	SPRAYER			