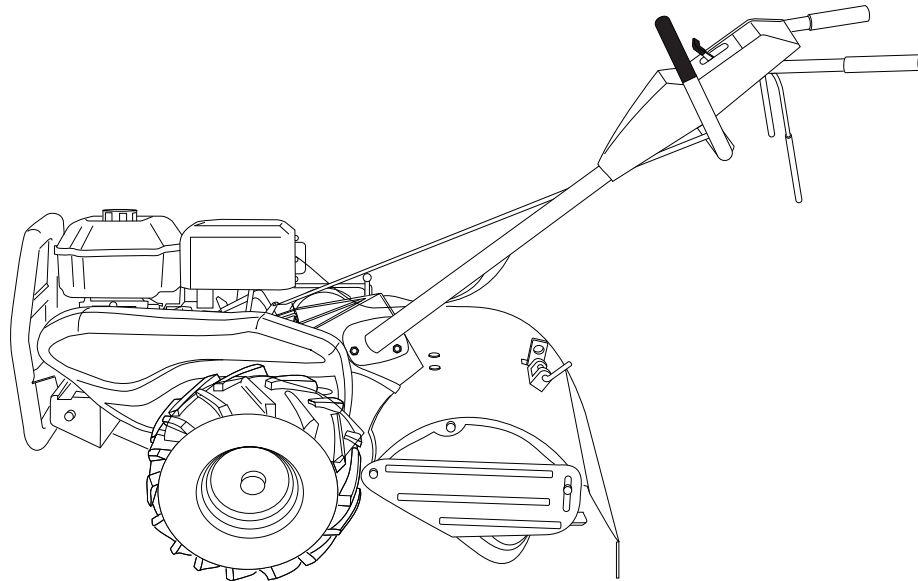


Poulan PRO



OPERATOR'S MANUAL

MODEL:

PRRT900

REAR TINE TILLER

ALWAYS WEAR EYE PROTECTION DURING OPERATION

Visit our website: www.poulan-pro.com



WARNING:

Read this Manual and follow all Warnings and Safety Instructions. Failure to do so can result in serious injury.

SAFETY RULES



Safe Operation Practices for Walk-Behind Powered Rotary Tillers



TRAINING

- Read the Owner's Manual carefully. Be thoroughly familiar with the controls and the proper use of the equipment. Know how to stop the unit and disengage the controls quickly.
- Never allow children to operate the equipment. Never allow adults to operate the equipment without proper instruction.
- Keep the area of operation clear of all persons, particularly small children, and pets.

PREPARATION

- Thoroughly inspect the area where the equipment is to be used and remove all foreign objects.
- Disengage all clutches and shift into neutral before starting the engine (motor).
- Do not operate the equipment without wearing adequate outer garments. Wear footwear that will improve footing on slippery surfaces.
- Handle fuel with care; it is highly flammable.
- Use an approved fuel container.
- Never add fuel to a running engine or hot engine.
- Fill fuel tank outdoors with extreme care. Never fill fuel tank indoors.
- Replace gasoline cap securely and clean up spilled fuel before restarting.
- Use extension cords and receptacles as specified by the manufacturer for all units with electric drive motors or electric starting motors.
- Never attempt to make any adjustments while the engine (motor) is running (except where specifically recommended by manufacturer).

OPERATION

- Do not put hands or feet near or under rotating parts.
- Exercise extreme caution when operating on or crossing gravel drives, walks, or roads. Stay alert for hidden hazards or traffic. Do not carry passengers.
- After striking a foreign object, stop the engine (motor), remove the wire from the spark plug, thoroughly inspect the tiller for any damage, and repair the damage before restarting and operating the tiller.
- Exercise caution to avoid slipping or falling.
- If the unit should start to vibrate abnormally, stop the engine (motor) and check immediately for the cause. Vibration is generally a warning of trouble.
- Stop the engine (motor) when leaving the operating position.
- Take all possible precautions when leaving the machine unattended. Disengage the tines, shift into neutral, and stop the engine.
- Before cleaning, repairing, or inspecting, shut off the engine and make certain all moving parts have stopped. Disconnect the spark plug wire, and keep the wire away from the plug to prevent accidental starting. Disconnect the cord on electric motors.
- Do not run the engine indoors; exhaust fumes are dangerous.
- Never operate the tiller without proper guards, plates, or other safety protective devices in place.

- Keep children and pets away.
- Do not overload the machine capacity by attempting to till too deep at too fast a rate.
- Never operate the machine at high speeds on slippery surfaces. Look behind and use care when backing.
- Never allow bystanders near the unit.
- Use only attachments and accessories approved by the manufacturer of the tiller.
- Never operate the tiller without good visibility or light.
- Be careful when tilling in hard ground. The tines may catch in the ground and propel the tiller forward. If this occurs, let go of the handlebars and do not restrain the machine.

MAINTENANCE AND STORAGE

- Keep machine, attachments, and accessories in safe working condition.
- Check shear pins, engine mounting bolts, and other bolts at frequent intervals for proper tightness to be sure the equipment is in safe working condition.
- Never store the machine with fuel in the fuel tank inside a building where ignition sources are present, such as hot water and space heaters, clothes dryers, and the like. Allow the engine to cool before storing in any enclosure.
- Always refer to the operator's guide instructions for important details if the tiller is to be stored for an extended period.

- IMPORTANT -

CAUTIONS, IMPORTANTS, AND NOTES ARE A MEANS OF ATTRACTING ATTENTION TO IMPORTANT OR CRITICAL INFORMATION IN THIS MANUAL.

IMPORTANT: USED TO ALERT YOU THAT THERE IS A POSSIBILITY OF DAMAGING THIS EQUIPMENT.

NOTE: Gives essential information that will aid you to better understand, incorporate, or execute a particular set of instructions.



Look for this symbol to point out important safety precautions. It means CAUTION!!! BECOME ALERT!!! YOUR SAFETY IS INVOLVED.



CAUTION: Always disconnect spark plug wire and place wire where it cannot contact spark plug in order to prevent accidental starting when setting up, transporting, adjusting or making repairs.

WARNING

The engine exhaust from this product contains chemicals known to the State of California to cause cancer, birth defects, or other reproductive harm.

PRODUCT SPECIFICATIONS

Gasoline Capacity: Unleaded Regular	3 Quarts (2,8L)
OIL (API-SG-SL): (Capacity 20 oz/0,6L)	SAE 30 Above 32°F/0°C SAE 5w30 Below 32°F/0°C
Spark Plug:	Champion RC12YC (Gap: .030"/0.76mm)

CONGRATULATIONS on your purchase of a new tiller. It has been designed, engineered and manufactured to give you the best possible dependability and performance.

Should you experience any problems you cannot easily remedy, please contact your nearest authorized service center. We have competent, well-trained technicians and the proper tools to service or repair this unit.

Please read and retain this manual. The instructions will enable you to assemble and maintain your tiller properly. Always observe the "SAFETY RULES".

CUSTOMER RESPONSIBILITIES

- Read and observe the safety rules.
- Follow a regular schedule in maintaining, caring for and using your tiller.
- Follow instructions under "Maintenance" and "Storage" sections of this Owner's Manual.

IMPORTANT: THIS UNIT IS EQUIPPED WITH AN INTERNAL COMBUSTION ENGINE AND SHOULD NOT BE USED ON OR NEAR ANY UNIMPROVED FOREST-COVERED, BRUSH-COVERED OR GRASS COVERED LAND UNLESS THE ENGINE'S EXHAUST SYSTEM IS EQUIPPED WITH A SPARK ARRESTER MEETING APPLICABLE LOCAL LAWS (IF ANY). IF A SPARK ARRESTER IS USED, IT SHOULD BE MAINTAINED IN EFFECTIVE WORKING ORDER BY THE OPERATOR.

IN THE STATE OF CALIFORNIA, A SPARK ARRESTER IS REQUIRED BY LAW (SECTION 4442 OF THE CALIFORNIA PUBLIC RESOURCES CODE). OTHER STATES MAY HAVE SIMILAR LAWS. FEDERAL LAWS APPLY ON FEDERAL LANDS. SEE YOUR AUTHORIZED SERVICE CENTER/DEPARTMENT FOR SPARK ARRESTER.

TABLE OF CONTENTS

SAFETY RULES	2
CUSTOMER RESPONSIBILITIES.....	3
PRODUCT SPECIFICATIONS.....	3
ASSEMBLY	4-6
OPERATION	7-10
MAINTENANCE SCHEDULE	11

MAINTENANCE	11-13
SERVICE & ADJUSTMENTS	14-17
STORAGE.....	18
TROUBLESHOOTING.....	19
WARRANTY.....	20

ASSEMBLY

Your new tiller has been assembled at the factory with exception of those parts left unassembled for shipping purposes. To ensure safe and proper operation of your tiller all parts and hardware you assemble must be tightened securely. Use the correct tools as necessary to insure proper tightness.

TOOLS REQUIRED FOR ASSEMBLY

A socket wrench set will make assembly easier. Standard wrench sizes are listed.

- (1) Utility knife
- (1) Tire pressure gauge
- (1) Pair of pliers
- (1) 9/16" wrench

OPERATOR'S POSITION (See Fig. 1)

When right or left hand is mentioned in this manual, it means when you are in the operating position (standing behind tiller handles).

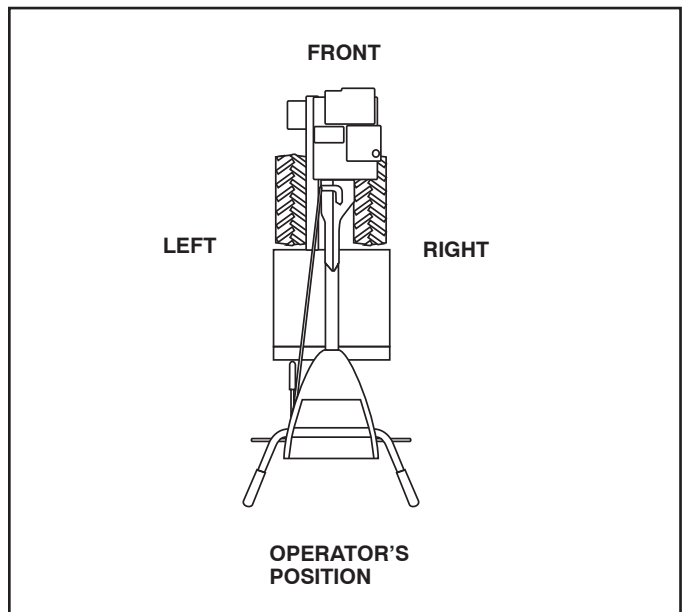
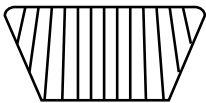
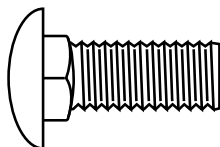


Fig. 1

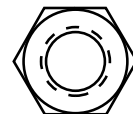
CONTENTS OF HARDWARE PACK



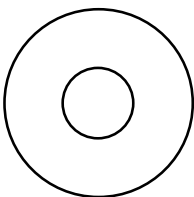
(2) Handle Locks



(1) Carriage Bolt
3/8-16 UNC x 1 Grade 5



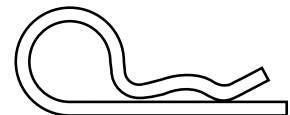
(1) Center Locknut
3/8-16 UNC



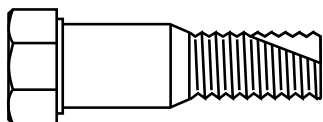
(1) Flat Washer 13/32 x 1 x 11 Gauge



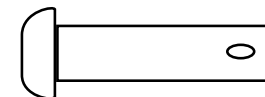
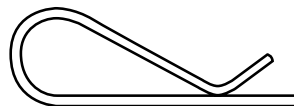
(1) Handle Lock Lever



(1) Hairpin Clip



(1) Pivot Bolt
3/8-16 UNC Grade 5



Extra Shear Pins & Clips

ASSEMBLY

UNPACKING CARTON (See Fig. 2)



CAUTION: Be careful of exposed staples when handling or disposing of cartoning material.

IMPORTANT: WHEN UNPACKING AND ASSEMBLING TILLER, BE CAREFUL NOT TO STRETCH OR KINK CABLES.

- While holding handle assembly, cut cable ties securing handle assembly to top frame and depth stake. Let handle assembly rest on tiller.
- Remove top frame of carton.
- Slowly ease handle assembly up and place on top of carton.
- Cut down right hand front and right hand rear corners of carton, lay side carton wall down.
- Remove packing material from handle assembly.

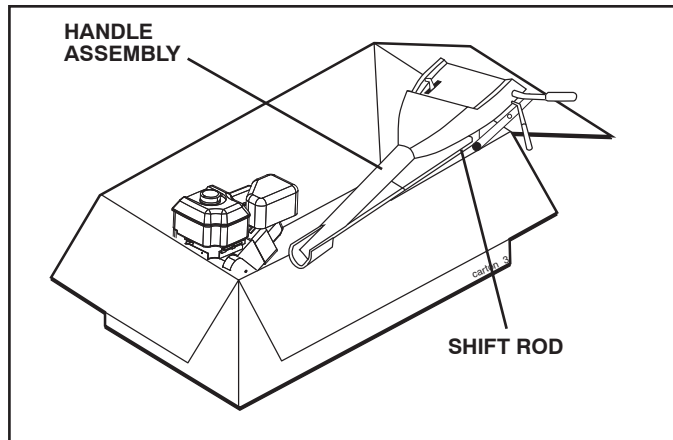


Fig. 2

INSTALL HANDLE (See Figs. 3, 4, and 5)

- Insert one handle lock (with teeth facing outward) in gearcase notch. (Apply grease on smooth side of handle lock to aid in keeping lock in place until handle assembly is lowered into position.)

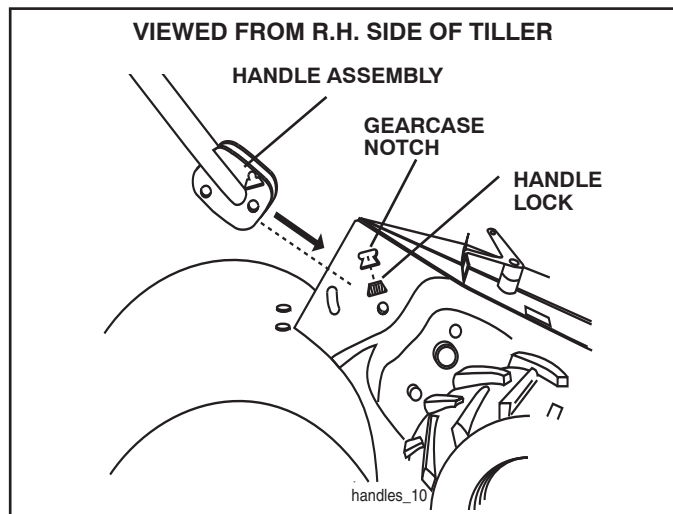


Fig. 3

- Grasp handle assembly. Hold in "up" position. Be sure handle lock remains in gearcase notch. Slide handle assembly into position.

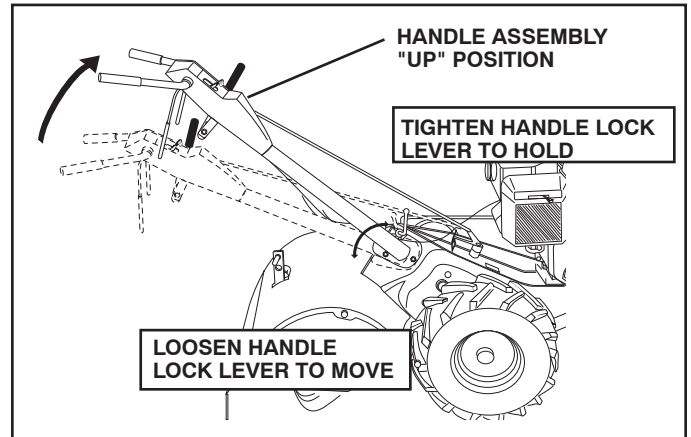


Fig. 4

- Rotate handle assembly down. Insert rear carriage bolt first, with bolt head on L.H. side of tiller and loosely assemble locknut (See Fig. 5).
- Insert pivot bolt in front part of plate and tighten.
- Cut down remaining corners of carton and lay panels flat.
- Lower the handle assembly. Tighten nut on carriage bolt so handle moves with some resistance. This will allow for easier adjustment.
- Place flat washer on threaded end of handle lock lever.
- Insert handle lock lever through handle base and gearcase. Screw in handle lock lever just enough to hold lever in place.
- Insert second handle lock (with teeth inward) in the slot of the handle base (just inside of washer).
- With handle assembly in lowest position, securely tighten handle lock lever by rotating clockwise. Leaving handle assembly in lowest position will make it easier to remove tiller from carton.

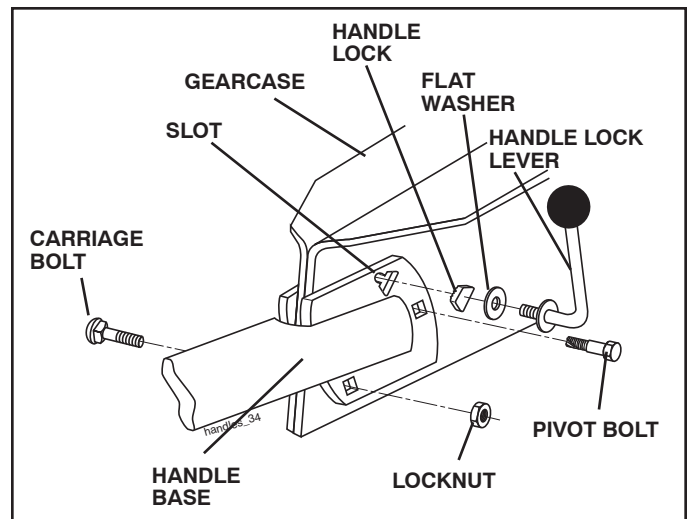


Fig. 5

ASSEMBLY

ATTACH CLUTCH CABLE (See Fig. 6)

- Hook end of clutch cable through hole in control bar bracket.

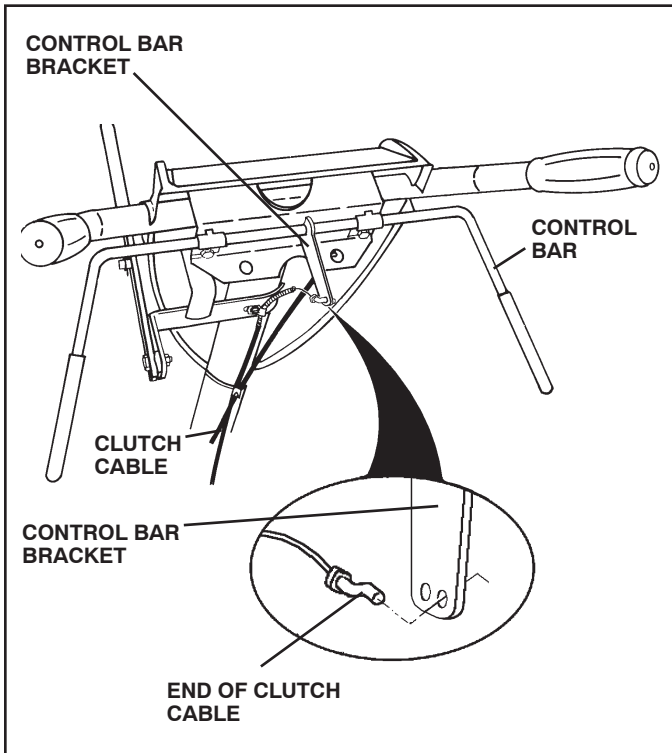


Fig. 6

CONNECT SHIFT ROD (See Fig. 7)

- Insert end of shift rod into hole of shift lever indicator.
- Insert hairpin clip through hole of shift rod to secure.

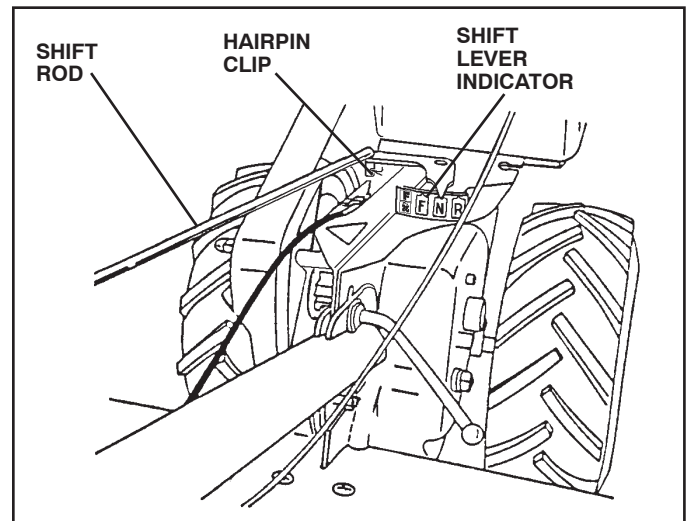


Fig. 7

REMOVE TILLER FROM CRATE

- Make sure shift lever indicator is in "N" position (See Fig. 7)
- Tilt tiller forward by lifting handle. Separate cardboard cover from leveling shield.
- Rotate tiller handle to the right and pull tiller out of carton.

CHECK TIRE PRESSURE

The tires on your unit were overinflated at the factory for shipping purposes. Correct and equal tire pressure is important for best tilling performance.

- Reduce tire pressure to 20 PSI (1.4 kg/cm²).

HANDLE HEIGHT

- Handle height may be adjusted to better suit operator. (See "TO ADJUST HANDLE HEIGHT" in the Service and Adjustments section of this manual).

OPERATION

KNOW YOUR TILLER

READ THIS OWNER'S MANUAL AND SAFETY RULES BEFORE OPERATING YOUR TILLER.

Compare the illustrations with your tiller to familiarize yourself with the location of various controls and adjustments. Save this manual for future reference.

These symbols may appear on your Tiller or in literature supplied with the product. Learn and understand their meaning.

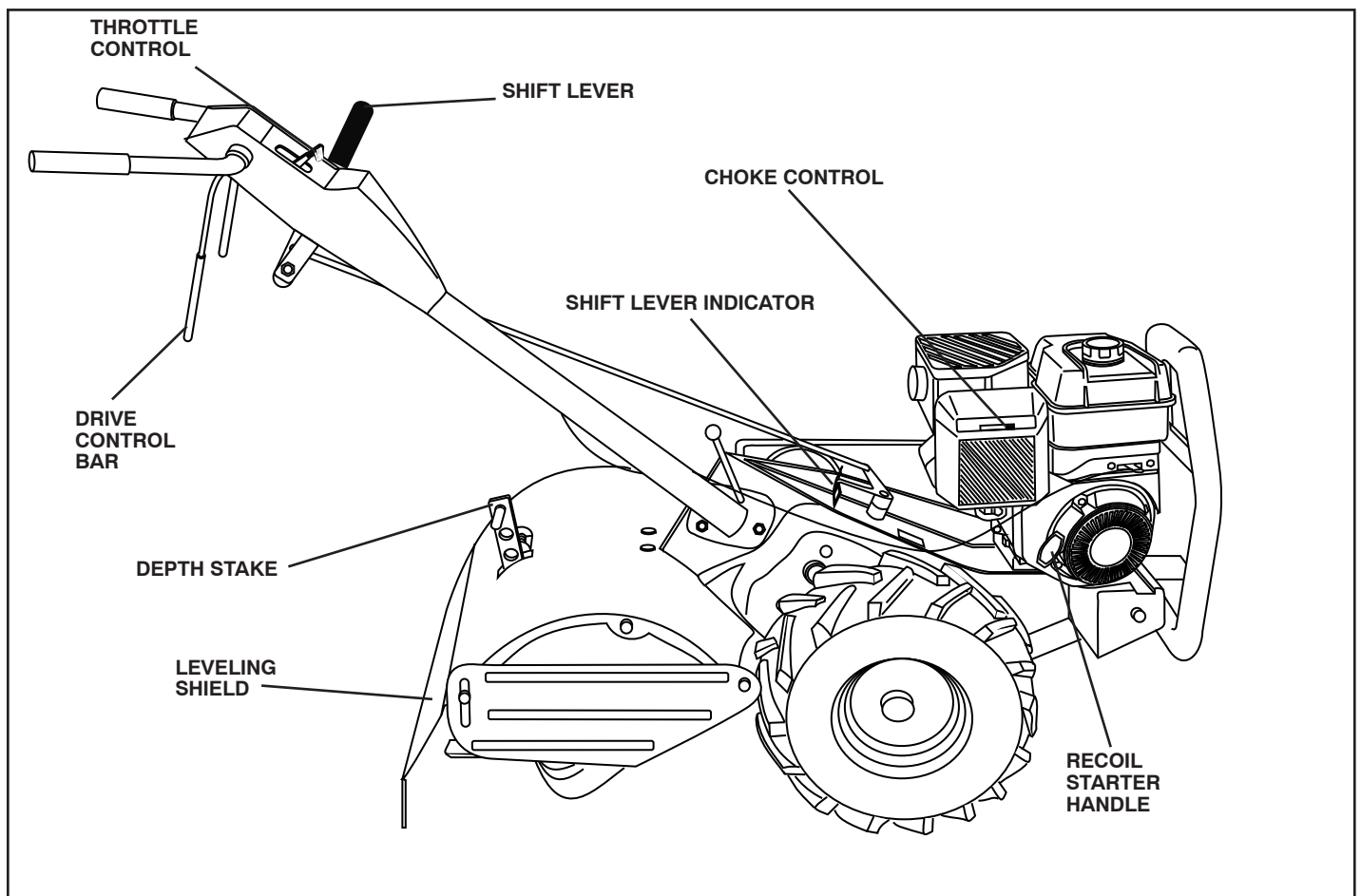
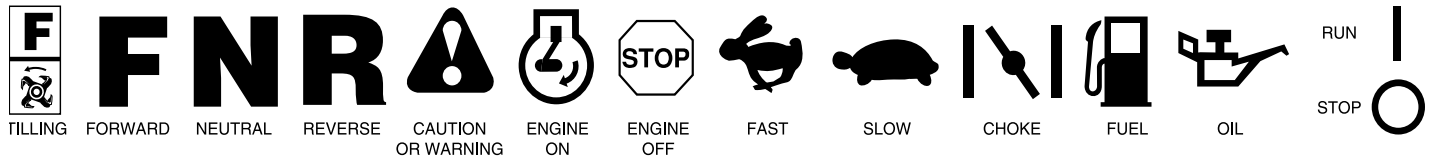


Fig. 8

MEETS ANSI SAFETY REQUIREMENTS

Our tillers conform to the safety standards of the American National Standards Institute.

CHOKE CONTROL - Used when starting a cold engine.
DEPTH STAKE - Controls depth at which tiller will dig.
DRIVE CONTROL BAR - Used to engage tines.
LEVELING SHIELD - Levels tilled soil.
RECOIL STARTER HANDLE - Used to start the engine.

SHIFT LEVER - Used to shift transmission gears.
SHIFT LEVER INDICATOR - Shows which gear the transmission is in.
THROTTLE CONTROL - Controls engine speed.

OPERATION



The operation of any tiller can result in foreign objects thrown into the eyes, which can result in severe eye damage. Always wear safety glasses or eye shields before starting your tiller and while tilling. We recommend a wide vision safety mask for over spectacles or standard safety glasses.

HOW TO USE YOUR TILLER

Know how to operate all controls before adding fuel and oil or attempting to start engine.

STOPPING (See Fig. 9)

TINES AND DRIVE

- Release drive control bar to stop movement.
- Move shift lever to "N" (neutral) position.

ENGINE

- Move throttle control to "STOP" position.
- Never use choke to stop engine.

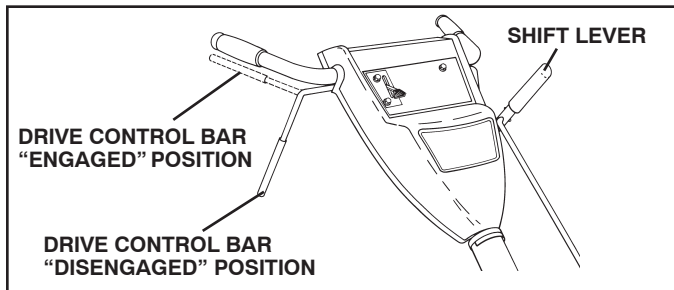


Fig. 9

TINE OPERATION - WITH WHEEL DRIVE

- Always release drive control bar before moving shift lever into another position.
- Tine movement is achieved by moving shift lever to (Ⓜ) till position and engaging drive control bar.

FORWARD - WHEELS ONLY/TINES STOPPED

- Release drive control bar and move shift lever indicator to "F" (forward) position. Engage drive control bar and tiller will move forward.

REVERSE - WHEELS ONLY/TINES STOPPED

- DO NOT STAND DIRECTLY BEHIND TILLER.
- Release the drive control bar.
- Move throttle control to "SLOW" position.
- Move shift lever indicator to "R" (reverse) position.
- Hold drive control bar against the handle to start tiller movement.

HARD TO SHIFT GEARS

- Briefly engage drive control bar and release or rock tiller forward and backward until are able to shift gears.

DEPTH STAKE (See Fig. 10)

The depth stake can be raised or lowered to allow you more versatile tilling and cultivating, or to more easily transport your tiller.

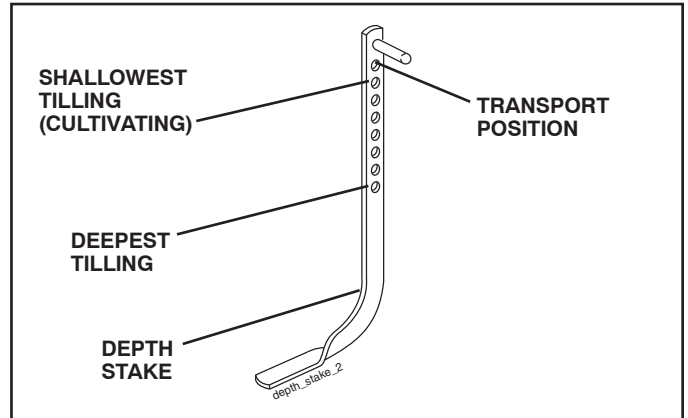


Fig. 10

TILLING (See Fig. 11)

- Release depth stake pin. Pull the depth stake up for increased tilling depth. Place depth stake pin in hole of depth stake to lock in position.
- Place shift lever indicator in tilling position.
- Hold the drive control bar against the handle to start tilling movement. Tines and wheels will both turn.
- Move throttle control to "FAST" position for deep tilling. To cultivate, throttle control can be set at any desired speed, depending on how fast or slow you wish to cultivate.

IMPORTANT: ALWAYS RELEASE DRIVE CONTROL BAR BEFORE MOVING SHIFT LEVER INTO ANOTHER POSITION.

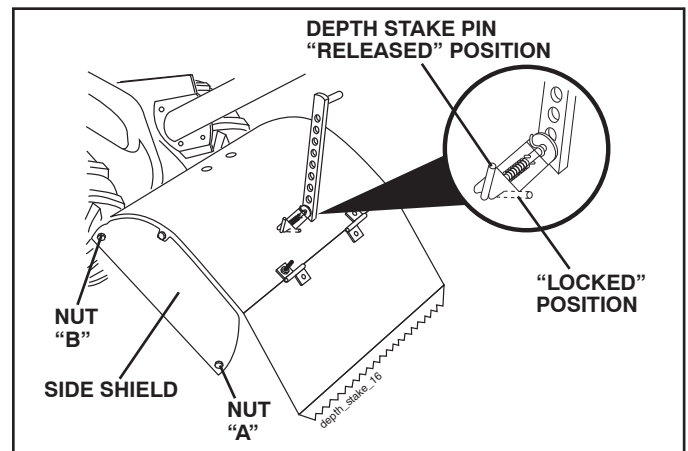


Fig. 11

TURNING

- Release the drive control bar.
- Move throttle control to "SLOW" position.
- Place shift lever indicator in "F" (forward) position. Tines will not turn.
- Lift handle to raise tines out of ground.
- Swing the handle in the opposite direction you wish to turn, being careful to keep feet and legs away from tines.

OPERATION

- When you have completed your turn-around, release the drive control bar and lower handle. Place shift lever in till position and move throttle control to desired speed. To begin tilling, hold drive control bar against the handle.

TO TRANSPORT



CAUTION: Before lifting or transporting, allow tiller engine and muffler to cool. Disconnect spark plug wire. Drain gasoline from fuel tank.

AROUND THE YARD

- Release the depth stake pin. Move the depth stake down to the top hole for transporting the tiller. Place depth stake pin in hole of depth stake to lock in position. This prevents tines from scuffing the ground.
- Place shift lever indicator in “F” (forward) position for transporting.
- Hold the drive control bar against the handle to start tiller movement. Tines will not turn.
- Move throttle control to desired speed.

AROUND TOWN

- Disconnect spark plug wire.
- Drain fuel tank.
- Transport in upright position to prevent oil leakage.

BEFORE STARTING ENGINE

IMPORTANT: BE VERY CAREFUL NOT TO ALLOW DIRT TO ENTER THE ENGINE WHEN CHECKING OR ADDING OIL OR FUEL. USE CLEAN OIL AND FUEL AND STORE IN APPROVED, CLEAN, COVERED CONTAINERS. USE CLEAN FILL FUNNELS.

CHECK ENGINE OIL LEVEL (See Fig.12)

- The engine in your unit has been shipped, from the factory, already filled with SAE 30 summer weight oil.
- With engine level, clean area around oil filler plug and remove plug.
- Engine oil should be to point of overflowing when engine is level. For approximate capacity see “PRODUCT SPECIFICATIONS” on page 3 of this manual. All oil must meet A.P.I. Service Classification SG-SL.
- For cold weather operation you should change oil for easier starting (See oil viscosity chart in the Maintenance section of this manual).
- To change engine oil, see the Maintenance section in this manual.

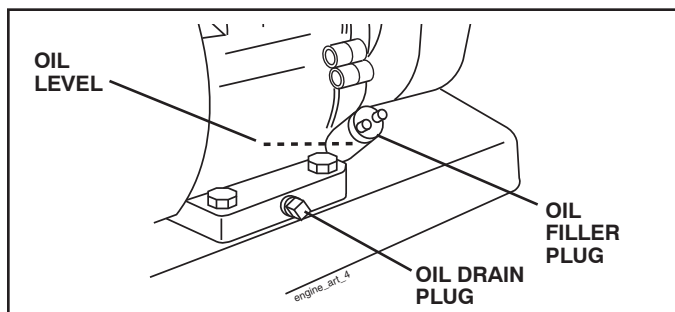


Fig. 12

ADD GASOLINE

- Fill fuel tank to bottom of filler neck. Do not overfill. Use fresh, clean, regular unleaded gasoline with a minimum of 87 octane. (Use of leaded gasoline will increase carbon and lead oxide deposits and reduce valve life). Do not mix oil with gasoline. Purchase fuel in quantities that can be used within 30 days to assure fuel freshness.



CAUTION: Fill to within 1/2 inch of top of fuel tank to prevent spills and to allow for fuel expansion. If gasoline is accidentally spilled, move machine away from area of spill. Avoid creating any source of ignition until gasoline vapors have disappeared.

Wipe off any spilled oil or fuel. Do not store, spill or use gasoline near an open flame.

IMPORTANT: WHEN OPERATING IN TEMPERATURES BELOW 32°F (0°C), USE FRESH, CLEAN WINTER GRADE GASOLINE TO HELP INSURE GOOD COLD WEATHER STARTING.

CAUTION: Alcohol blended fuels (called gasohol or using ethanol or methanol) can attract moisture which leads to separation and formation of acids during storage. Acidic gas can damage the fuel system of an engine while in storage. To avoid engine problems, the fuel system should be emptied before storage of 30 days or longer. Drain the gas tank, start the engine and let it run until the fuel lines and carburetor are empty. Use fresh fuel next season. See Storage Instructions for additional information. Never use engine or carburetor cleaner products in the fuel tank or permanent damage may occur.

TO START ENGINE (See Fig. 13)



CAUTION: Keep drive control bar in “DISENGAGED” position when starting engine.

When starting engine for the first time or if engine has run out of fuel, it will take extra pulls of the recoil starter to move fuel from the tank to the engine.

- Make sure spark plug wire is properly connected.
- Move shift lever indicator to “N” (neutral) position.
- Place throttle control in “FAST” position.
- Turn fuel shut-off valve 1/4 turn to open position.
- Move choke control to choke position.
- Grasp recoil starter handle with one hand and grasp tiller handle with other hand. Pull rope out slowly until engine reaches start of compression cycle (rope will pull slightly harder at this point).
- Pull recoil starter handle quickly. Do not let starter handle snap back against starter.
- If engine fires but does not start, move choke control to half choke position. Pull recoil starter handle until engine starts.

OPERATION

- When engine starts, slowly move choke control to "RUN" position as engine warms up.

NOTE: A warm engine requires less choking to start.

- Move throttle control to desired running position.
- Allow engine to warm up for a few minutes before engaging tines.

NOTE: If at a high altitude (3000 feet) or in cold temperatures (below 32°F), the carburetor fuel mixture may need to be adjusted for best engine performance. See "TO ADJUST CARBURETOR" in the Service and Adjustments section of this manual.

NOTE: If engine does not start, see troubleshooting points.

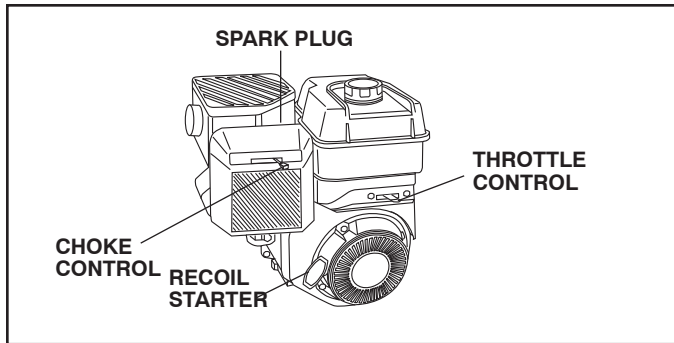


Fig. 13

TILLING HINTS



CAUTION: Until you are accustomed to handling your tiller, start actual field use with throttle in slow position (mid-way between "FAST" and "IDLE").

- Tilling is digging into, turning over, and breaking up packed soil before planting. Loose, unpacked soil helps root growth. Best tilling depth is 4" to 6" (10-15 cm). A tiller will also clear the soil of unwanted vegetation. The decomposition of this vegetable matter enriches the soil. Depending on the climate (rainfall and wind), it may be advisable to till the soil at the end of the growing season to further condition the soil.
- You will find tilling much easier if you leave a row untilled between passes. Then go back between tilled rows. (See Fig. 14) There are two reasons for doing this. First, wide turns are much easier to negotiate than about-faces. Second, the tiller won't be pulling itself, and you, toward the row next to it.

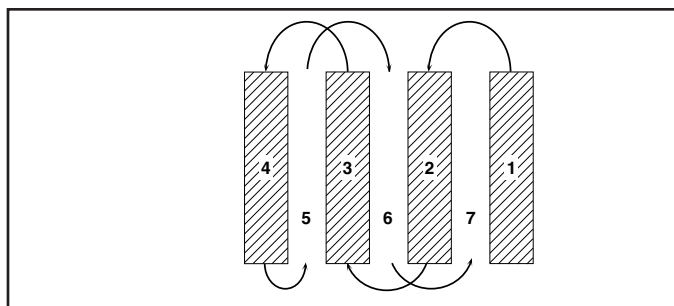


Fig. 14

- Soil conditions are important for proper tilling. Tines will not readily penetrate dry, hard soil which may contribute to excessive bounce and difficult handling of your tiller. Hard soil should be moistened before tilling; however, extremely wet soil will "ball-up" or clump during tilling. Wait until the soil is less wet in order to achieve the best results. When tilling in the fall, remove vines and long grass to prevent them from wrapping around the tine shaft and slowing your tilling operation.
- Do not lean on handle. This takes weight off the wheels and reduces traction. To get through a really tough section of sod or hard ground, apply upward pressure on handle or lower the depth stake.

CULTIVATING

Cultivating is destroying the weeds between rows to prevent them from robbing nourishment and moisture from the plants. At the same time, breaking up the upper layer of soil crust will help retain moisture in the soil. Best digging depth is 1" to 3" (2.5-7.5 cm). Lower the outer side shields to protect small plants from being buried.

- Cultivate up and down the rows at a speed which will allow tines to uproot weeds and leave the ground in rough condition, promoting no further growth of weeds and grass (See Fig. 15).

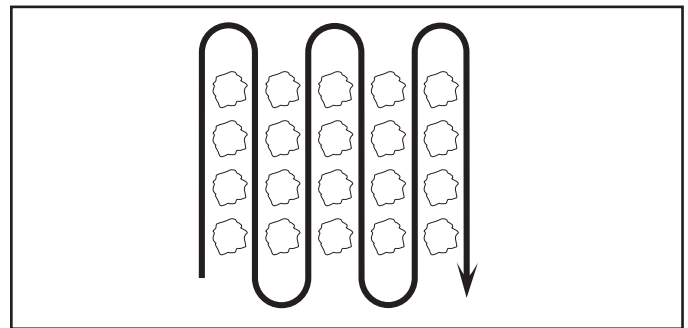


Fig. 15

TINE SHEAR PINS

The tine assemblies on your tiller are secured to the tine shaft with shear pins (See "TINE REPLACEMENT" in the Service and Adjustments section of this manual).

If the tiller is unusually overloaded or jammed, the shear pins are designed to break before internal damage occurs to the transmission.

- If shear pin(s) break, replace only with those shown in the Repair Parts section of this manual.

MAINTENANCE

MAINTENANCE SCHEDULE						SERVICE DATES															
	BEFORE EACH USE	EVERY 5 HOURS	EVERY 25 HOURS	EVERY 50 HOURS	EVERY SEASON																
FILL IN DATES AS YOU COMPLETE REGULAR SERVICE																					
Check Engine Oil Level	✓	✓																			
Change Engine Oil			✓ _{1,2}																		
Oil Pivot Points		✓																			
Inspect Spark Arrester / Muffler				✓																	
Inspect Air Screen	✓																				
Clean or Replace Air Cleaner Cartridge				✓ ₂																	
Clean Engine Cylinder Fins				✓																	
Replace Spark Plug				✓																	
RH Gear Case Grease Fitting (1oz.)					✓																

1 - Change more often when operating under a heavy load or in high ambient temperatures.
 2 - Service more often when operating in dirty or dusty conditions.

GENERAL RECOMMENDATIONS

The warranty on this tiller does not cover items that have been subjected to operator abuse or negligence. To receive full value from the warranty, the operator must maintain tiller as instructed in this manual.

Some adjustments will need to be made periodically to properly maintain your tiller.

All adjustments in the Service and Adjustments section of this manual should be checked at least once each season.

- Once a year you should replace the spark plug, clean or replace air filter, and check tines and belts for wear. A new spark plug and clean air filter assure proper air-fuel mixture and help your engine run better and last longer.

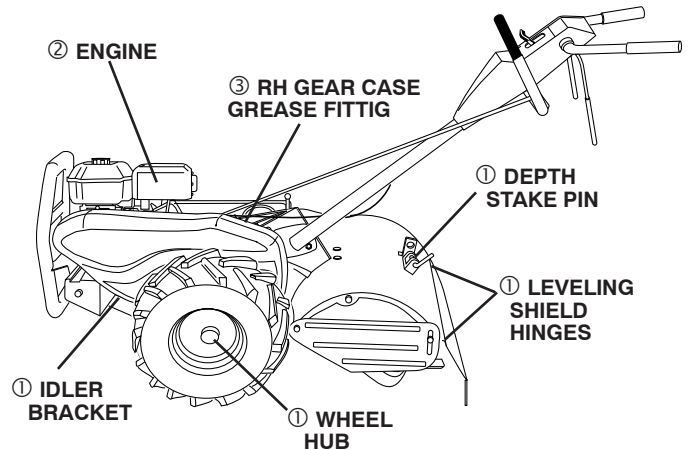
BEFORE EACH USE

- Check engine oil level.
- Check tine operation.
- Check for loose fasteners.

LUBRICATION

Keep unit well lubricated (See "LUBRICATION CHART").

LUBRICATION CHART



- ① SAE 30 OR 10W-30 MOTOR OIL
- ② REFER TO MAINTENANCE "ENGINE" SECTION
- ③ EP #1 GREASE

MAINTENANCE



Disconnect spark plug wire before performing any maintenance (except carburetor adjustment) to prevent accidental starting of engine.

Prevent fires! Keep the engine free of grass, leaves, spilled oil, or fuel. Remove fuel from tank before tipping unit for maintenance. Clean muffler area of all grass, dirt, and debris.

Do not touch hot muffler or cylinder fins as contact may cause burns.

ENGINE

LUBRICATION

Use only high quality detergent oil rated with API service classification SG-SL. Select the oil's SAE viscosity grade according to your expected temperature.

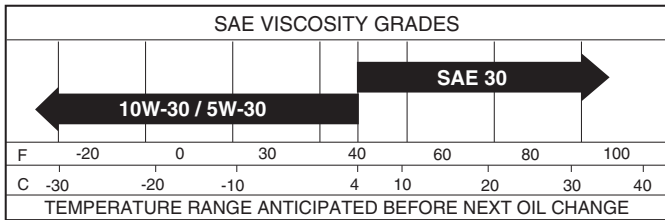


Fig. 16

NOTE: Although multi-viscosity oils (5W-30, 10W-30, etc.) improve starting in cold weather, these multi-viscosity oils will result in increased oil consumption when used above 40°F (4°C). Check your engine oil level more frequently to avoid possible engine damage from running low on oil.

Change the oil after every 25 hours of operation or at least once a year if the tiller is not used for 25 hours in one year.

Check the crankcase oil level before starting the engine and after each five (5) hours of continuous use. Add SAE 30 motor oil or equivalent. Tighten oil filler plug securely each time you check the oil level.

TO CHANGE ENGINE OIL (See Figs. 16 and 17)

Determine temperature range expected before oil change. All oil must meet API service classification SG-SL.

- Be sure tiller is on level surface.
- Oil will drain more freely when warm.
- Use a funnel to prevent oil spill on tiller, and catch oil in a suitable container.
- Remove drain plug. For easier removal of plug use 7/16 12 Pt. socket with extension.)
- Tip tiller forward to drain oil.
- After oil has drained completely, replace oil drain plug and tighten securely.
- Remove oil filler plug. Be careful not to allow dirt to enter the engine.
- Refill engine with oil. See "CHECK ENGINE OIL LEVEL" in the Operation section of this manual.

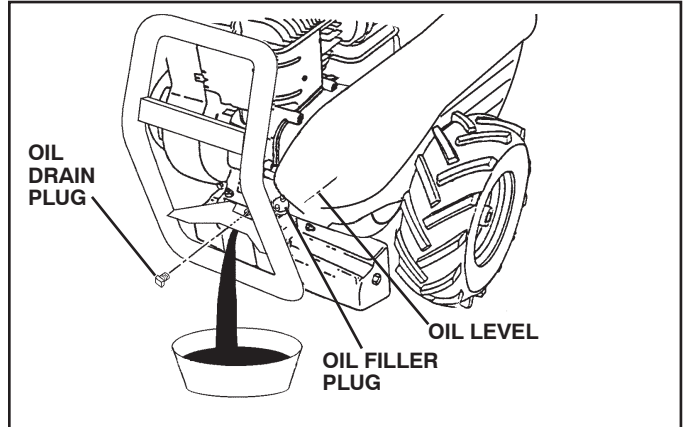


Fig. 17

AIR CLEANER (See Fig. 18)

Service air cleaner cartridge every twenty-five hours, more often if engine is used in very dusty conditions.

- Loosen air cleaner screws, one on each side of cover.
- Remove air cleaner cover.
- Carefully remove air cleaner cartridge. Be careful. Do not allow dirt or debris to fall into carburetor.
- Clean by tapping gently on a flat surface.
- If very dirty or damaged, replace cartridge.
- Clean and replace cover. Tighten screws securely.

IMPORTANT: PETROLEUM SOLVENTS, SUCH AS KEROSENE, ARE NOT TO BE USED TO CLEAN THE CARTRIDGE. THEY MAY CAUSE DETERIORATION OF THE CARTRIDGE. DO NOT OIL CARTRIDGE. DO NOT USE PRESSURIZED AIR TO CLEAN OR DRY CARTRIDGE.

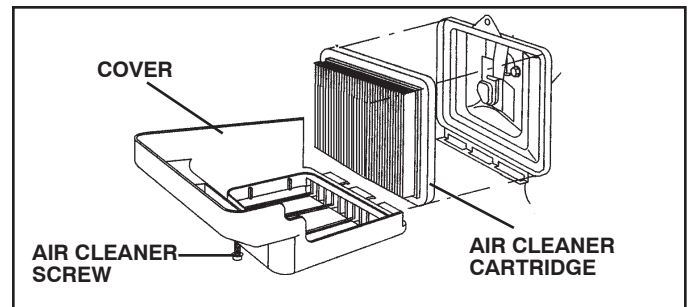


Fig. 18

MAINTENANCE

COOLING SYSTEM (See Fig. 19)

Your engine is air cooled. For proper engine performance and long life keep your engine clean.

- Clean air screen frequently using a stiff-bristled brush.
- Keep cylinder fins, levers, and linkage free of dirt and chaff.

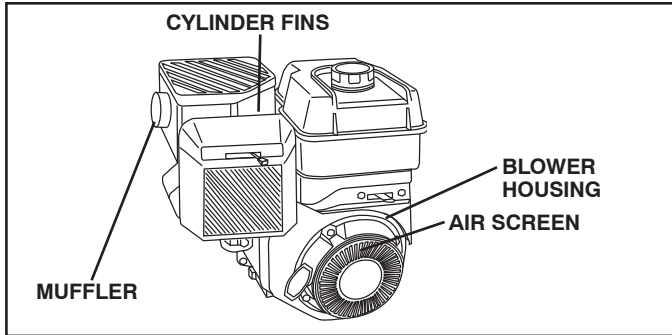


Fig. 19

MUFFLER

Do not operate tiller without muffler. Do not tamper with exhaust system. Damaged mufflers or spark arresters could create a fire hazard. Inspect periodically and replace if necessary. If your engine is equipped with a spark arrester screen assembly, remove every 50 hours for cleaning and inspection. Replace if damaged.

SPARK PLUG

Replace spark plugs at the beginning of each tilling season or after every 50 hours of use, whichever comes first. Spark plug type and gap setting is shown in "PRODUCT SPECIFICATIONS" on page 3 of this manual.

TRANSMISSION

Once a season, lubricate the right hand side gear case grease fitting with 1 oz. of EP #1 Grease.

CLEANING

Do not clean your tiller when the engine and transmission are hot. We do not recommend using pressurized water (garden hose, etc.) to clean your unit unless the gasket area around the transmission and the engine muffler, air filter and carburetor are covered to keep water out. Water in engine will shorten the useful life of your tiller.

- Clean engine, wheels, finish, etc. of all foreign matter.
- Keep finished surfaces and wheels free of all gasoline, oil, etc.
- Protect painted surfaces with automotive type wax.

SERVICE AND ADJUSTMENTS



CAUTION: Disconnect spark plug wire from spark plug and place wire where it cannot come into contact with plug.

TILLER

TO ADJUST HANDLE HEIGHT (See Fig. 20)

Select handle height best suited for your tilling conditions. Handle height will be different when tiller digs into soil.

- First loosen handle lock lever.
- Handle can be positioned at different settings between "HIGH" and "LOW" positions.
- Retighten handle lock lever securely after adjusting.

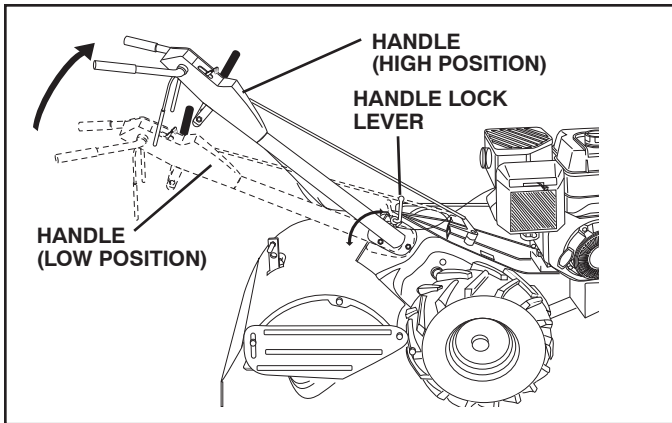


Fig. 20

TIRE CARE



CAUTION: When mounting tires, unless beads are seated, overinflation can cause an explosion.

- Maintain 20 pounds of tire pressure. If tire pressures are not equal, tiller will pull to one side.
- Keep tires free of gasoline or oil which can damage rubber.

TO REMOVE WHEEL (See Fig. 21)

- Place blocks under transmission to keep tiller from tipping.
- Remove hairpin clip and clevis pin from wheel.
- Remove wheel and tire.
- Repair tire and reassemble.

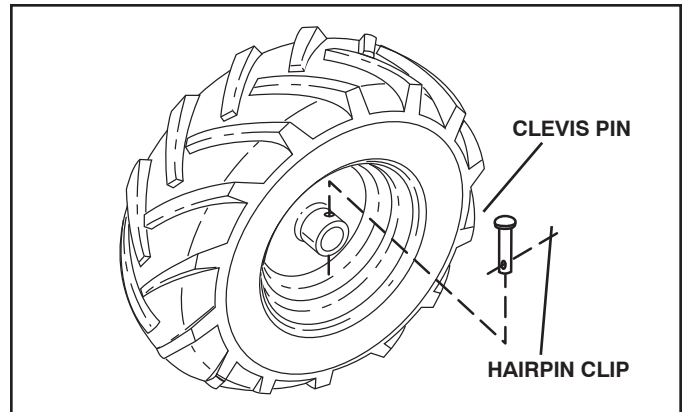


Fig. 21

TO REMOVE BELT GUARD (See Fig. 22)

NOTE: For ease of removal, remove hairpin clip and clevis pin from left wheel. Pull wheel out from tiller about 1 inch.

- Remove two (2) screws from side of belt guard.
- Remove hex nut and washer from bottom of belt guard (located behind wheel).
- Pull belt guard out and away from unit.
- Replace belt guard by reversing above procedure.

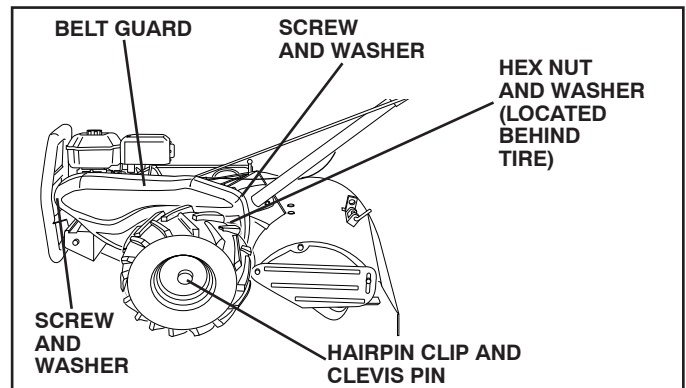


Fig. 22

SERVICE AND ADJUSTMENTS

TO REPLACE GROUND DRIVE BELT (See Fig. 23)

- Remove belt guard (See "TO REMOVE BELT GUARD" in this section of this manual).
- Remove old belt by slipping off engine pulley first then remove from transmission pulley.
- Place new belt in groove of transmission pulley and into engine pulley. BELT MUST BE IN GROOVE ON TOP OF IDLER PULLEY. NOTE POSITION OF BELT TO GUIDES.
- Check belt adjustment as described below.
- Replace belt guard.
- Reposition wheel and replace clevis pin and hairpin clip.

GROUND DRIVE BELT ADJUSTMENT (See Fig. 23)

For proper belt tension, the extension spring should have about 5/8 inch stretch when drive control bar is in "ENGAGED" position. This tension can be attained as follows:

- Loosen cable clip screw securing the drive control cable.
- Slide cable forward for less tension and rearward for more tension until about 5/8 inch stretch is obtained while the drive control bar is engaged.
- Tighten cable clip screw securely.

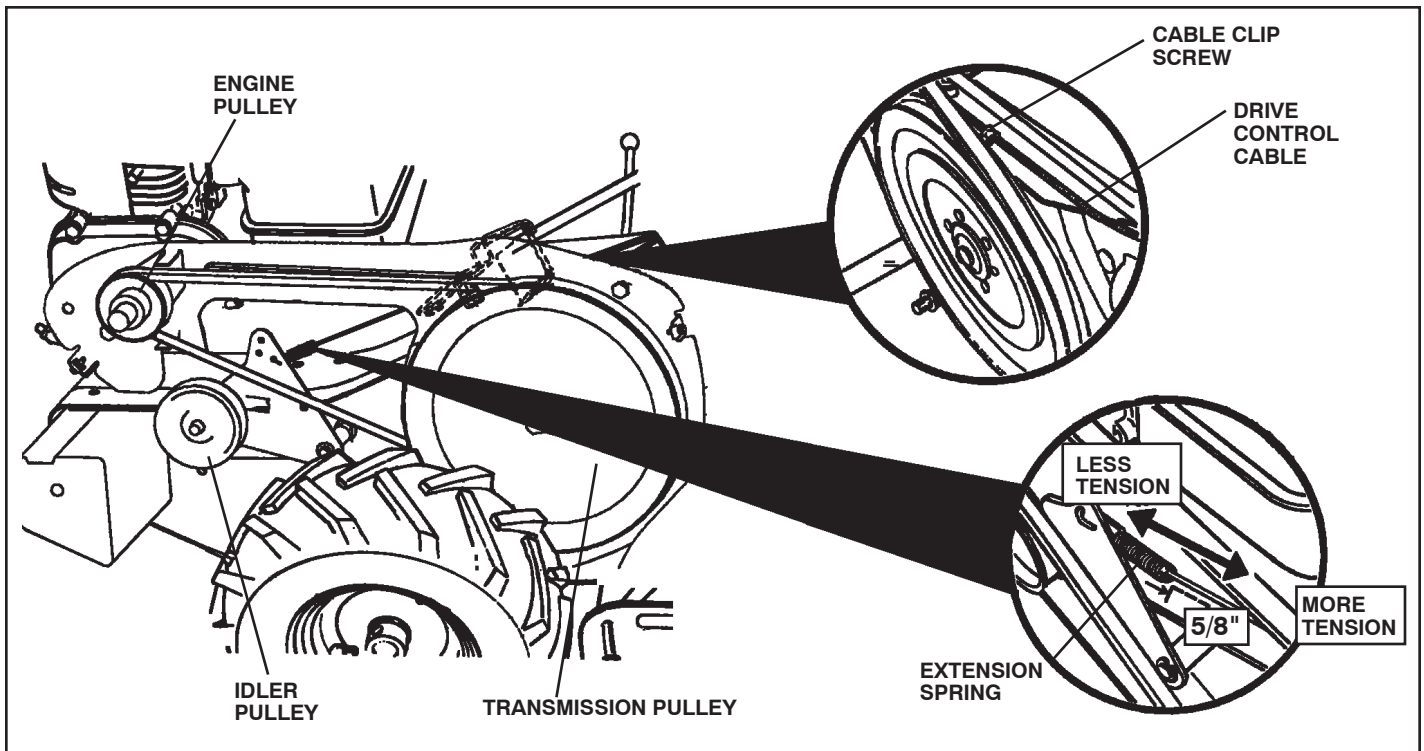


Fig. 23

SERVICE AND ADJUSTMENTS

TINE REPLACEMENT (See Figs. 24, 25 and 26)



CAUTION: Tines are sharp. Wear gloves or other protection when handling tines.

A badly worn tine causes your tiller to work harder and dig more shallow. Most important, worn tines cannot chop and shred organic matter as effectively nor bury it as deeply as good tines. A tine this worn needs to be replaced.

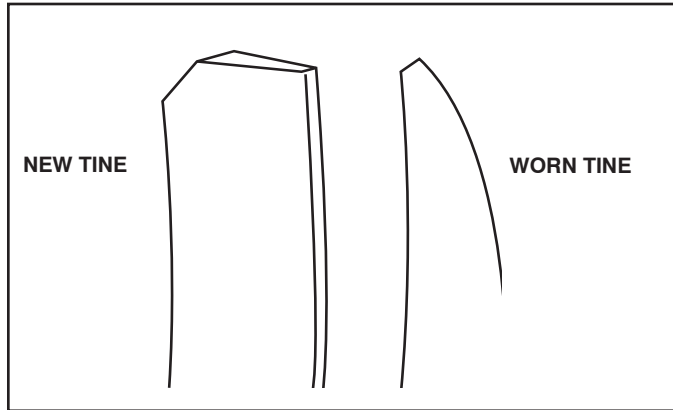


Fig.24

- To maintain the superb tilling performance of this machine the tines should be checked for sharpness, wear, and bending, particularly the tines which are next to the transmission. If the gap between the tines exceeds 3-1/2 inches they should be replaced or straightened as necessary.
- New tines should be assembled as shown in Fig. 26. Sharpened tine edges will rotate rearward from above.

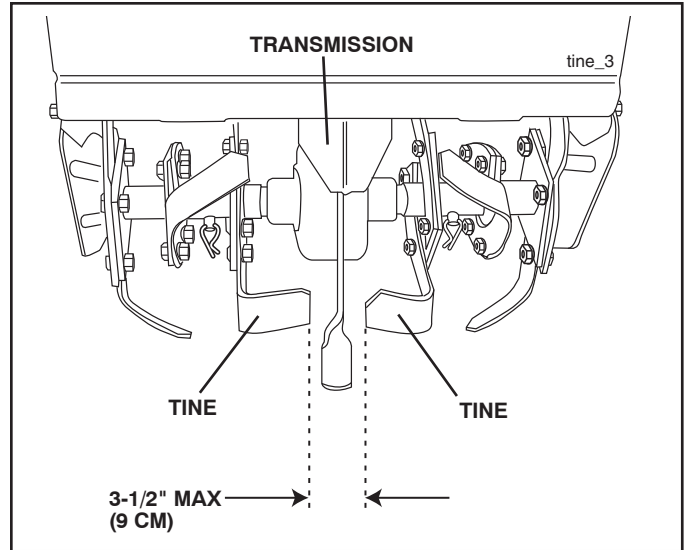


Fig. 25

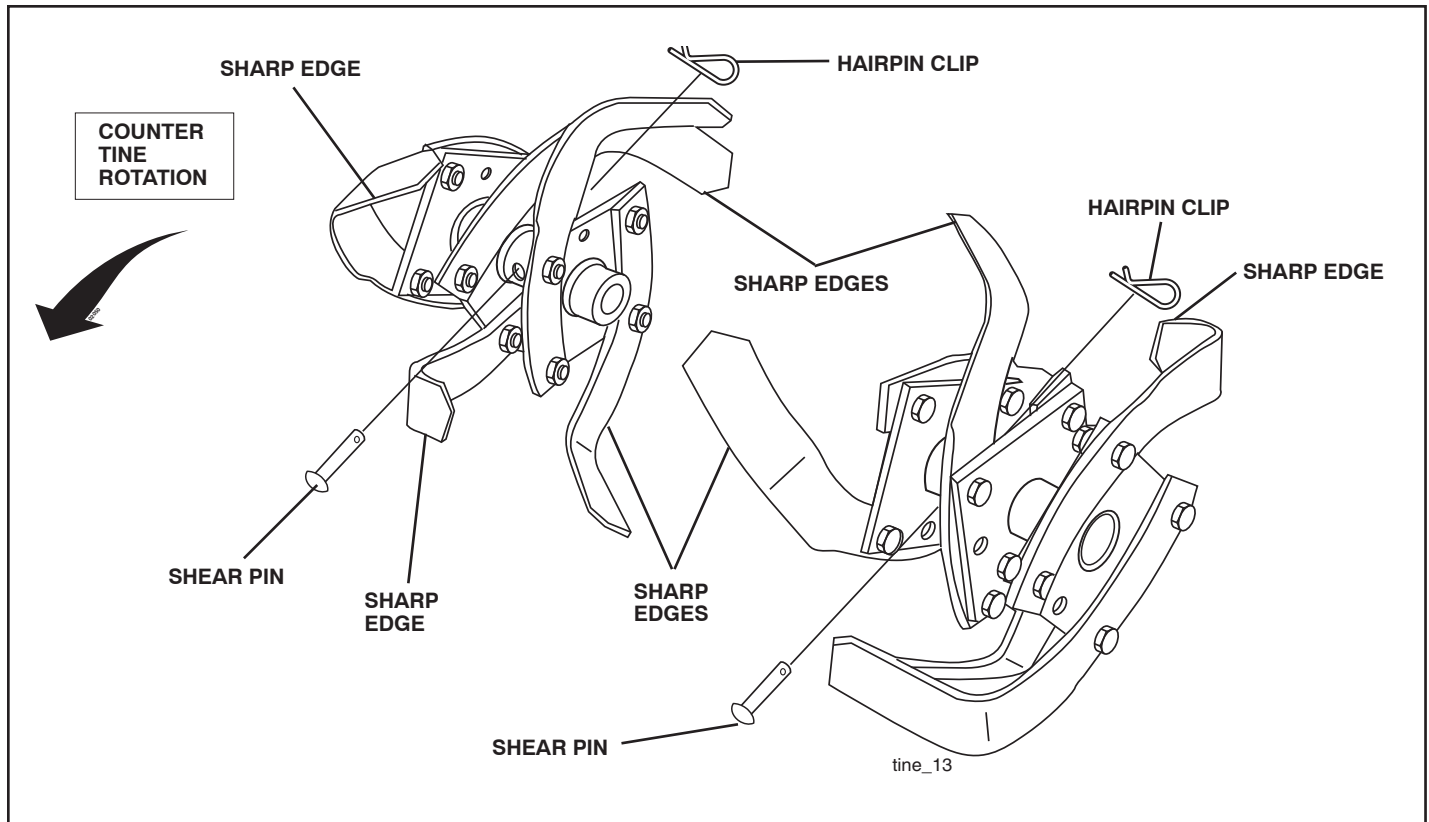


Fig. 26

SERVICE AND ADJUSTMENTS

ENGINE

TO ADJUST CARBURETOR

The carburetor has been preset at the factory and adjustment should not be necessary. However, engine performance can be affected by differences in fuel, temperature, altitude or load. If the carburetor does need adjustment, contact your nearest authorized service center/department

IMPORTANT: NEVER TAMPER WITH THE ENGINE GOVERNOR, WHICH IS FACTORY SET FOR PROPER ENGINE SPEED. OVERSPEEDING THE ENGINE ABOVE THE FACTORY HIGH SPEED SETTING CAN BE DANGEROUS. IF YOU THINK THE ENGINE-GOVERNED HIGH SPEED NEEDS ADJUSTING, CONTACT YOUR NEAREST AUTHORIZED SERVICE CENTER/DEPARTMENT, WHICH HAS THE PROPER EQUIPMENT AND EXPERIENCE TO MAKE ANY NECESSARY ADJUSTMENTS.

STORAGE

Immediately prepare your tiller for storage at the end of the season or if the unit will not be used for 30 days or more.



WARNING: Never store the tiller with gasoline in the tank inside a building where fumes may reach an open flame or spark. Allow the engine to cool before storing in any enclosure.

TILLER

- Clean entire tiller (See “CLEANING” in the Maintenance section of this manual).
- Inspect and replace belts, if necessary (See belt replacement instructions in the Service and Adjustments section of this manual).
- Lubricate as shown in the Maintenance section of this manual.
- Be sure that all nuts, bolts and screws are securely fastened. Inspect moving parts for damage, breakage and wear. Replace if necessary.
- Touch up all rusted or chipped paint surfaces; sand lightly before painting.

ENGINE

FUEL SYSTEM

IMPORTANT: IT IS IMPORTANT TO PREVENT GUM DEPOSITS FROM FORMING IN ESSENTIAL FUEL SYSTEM PARTS SUCH AS THE CARBURETOR, FUEL FILTER, FUEL HOSE, OR TANK DURING STORAGE. ALSO, EXPERIENCE INDICATES THAT ALCOHOL BLENDED FUELS (CALLED GASOHOL OR USING ETHANOL OR METHANOL) CAN ATTRACT MOISTURE WHICH LEADS TO SEPARATION AND FORMATION OF ACIDS DURING STORAGE. ACIDIC GAS CAN DAMAGE THE FUEL SYSTEM OF AN ENGINE WHILE IN STORAGE.

- Empty the fuel tank by starting the engine and let it run until the fuel lines and carburetor are empty.
- Never use engine or carburetor cleaner products in the fuel tank or permanent.
- Use fresh fuel next season.

NOTE: Fuel stablizer is an acceptable alternative in minimizing the formation of fuel gum deposits during storage. Add stabilizer to gasoline in fuel tank or storage container. Always follow the mix ratio found on stablizer container. Run engine at least 10 minutes after adding stablizer to allow the stabilizer to reach the carburetor. Do not empty the gas tank and carburetor if using fuel stabilizer.

ENGINE OIL

Drain oil (with engine warm) and replace with clean oil. (See “ENGINE” in the Maintenance section of this manual).

CYLINDER(S)

- Remove spark plug.
- Pour 1 ounce (29 ml) of oil through spark plug hole into cylinder.
- Pull starter handle slowly several times to distribute oil.
- Replace with new spark plug.

OTHER

- **Do not store gasoline from one season to another.**
- Replace your gasoline can if your can starts to rust. Rust and/or dirt in your gasoline will cause problems.
- If possible, store your unit indoors and cover it to give protection from dust and dirt.
- Cover your unit with a suitable protective cover that does not retain moisture. Do not use plastic. Plastic cannot breathe which allows condensation to form and will cause your unit to rust.

IMPORTANT: NEVER COVER TILLER WHILE ENGINE AND EXHAUST AREAS ARE STILL WARM.

TROUBLESHOOTING POINTS

PROBLEM	CAUSE	CORRECTION
Will not start	<ol style="list-style-type: none"> 1. Out of fuel. 2. Engine not "CHOKED" properly. 3. Engine flooded. 4. Dirty air cleaner. 5. Water in fuel. 6. Clogged fuel tank. 7. Loose spark plug wire. 8. Bad spark plug or improper gap. 9. Carburetor out of adjustment. 10. Oil soaked air filter. 	<ol style="list-style-type: none"> 1. Fill fuel tank. 2. See "TO START ENGINE" in Operation section. 3. Wait several minutes before attempting to start. 4. Clean or replace air cleaner cartridge. 5. Empty fuel tank and carburetor, and refill tank with fresh, clean gasoline. 6. Remove fuel tank and clean. 7. Make sure spark plug wire is seated properly on plug. 8. Replace spark plug or adjust gap. 9. Make necessary adjustments. 10. Replace air filter.
Hard to start	<ol style="list-style-type: none"> 1. Throttle control not set properly. 2. Dirty air cleaner. 3. Bad spark plug or improper gap. 4. Stale or dirty fuel. 5. Loose spark plug wire. 6. Carburetor out of adjustment. 	<ol style="list-style-type: none"> 1. Place throttle control in "FAST" position. 2. Clean or replace air cleaner cartridge. 3. Replace spark plug or adjust gap. 4. Empty fuel tank and refill tank with fresh, clean gasoline. 5. Make sure spark plug wire is seated properly on plug. 6. Make necessary adjustments.
Loss of power	<ol style="list-style-type: none"> 1. Engine is overloaded. 2. Dirty air cleaner. 3. Low oil level/dirty oil. 4. Faulty spark plug. 5. Oil in fuel. 6. Stale or dirty fuel. 7. Water in fuel. 8. Clogged fuel tank. 9. Spark plug wire loose. 10. Dirty engine air screen. 11. Dirty/clogged muffler. 12. Carburetor out of adjustment. 13. Poor compression. 	<ol style="list-style-type: none"> 1. Set depth stake for shallower tilling. 2. Clean or replace air cleaner cartridge. 3. Check oil level/change oil. 4. Clean and regap or change spark plug. 5. Empty and clean fuel tank and refill tank, and clean carburetor. 6. Empty fuel tank and refill tank with fresh, clean gasoline. 7. Empty fuel tank and carburetor, and refill tank with fresh, clean gasoline. 8. Remove fuel tank and clean. 9. Connect and tighten spark plug wire. 10. Clean engine air screen. 11. Clean/replace muffler. 12. Make necessary adjustments. 13. Contact an authorized service center/department.
Engine overheats	<ol style="list-style-type: none"> 1. Low oil level/dirty oil. 2. Dirty engine air screen. 3. Dirty engine. 4. Partially plugged muffler. 5. Improper carburetor adjustment. 	<ol style="list-style-type: none"> 1. Check oil level/change oil. 2. Clean engine air screen. 3. Clean cylinder fins, air screen, and muffler area. 4. Remove and clean muffler. 5. Adjust carburetor to richer position.
Excessive bounce/ difficult handling	<ol style="list-style-type: none"> 1. Ground too dry and hard. 	<ol style="list-style-type: none"> 1. Moisten ground or wait for more favorable soil conditions.
Soil balls up or clumps	<ol style="list-style-type: none"> 1. Ground too wet. 	<ol style="list-style-type: none"> 1. Wait for more favorable soil conditions.
Engine runs but tiller won't move	<ol style="list-style-type: none"> 1. Drive control bar is not engaged. 2. V-belt not correctly adjusted. 3. V-belt is off pulley(s). 	<ol style="list-style-type: none"> 1. Engage drive control. 2. Inspect/adjust V-belt. 3. Inspect V-belt.
Engine runs but labors when tilling	<ol style="list-style-type: none"> 1. Tilling too deep. 2. Throttle control not properly adjusted. 3. Carburetor out of adjustment. 	<ol style="list-style-type: none"> 1. Set depth stake for shallower tilling. 2. Check throttle control setting. 3. Make necessary adjustments.
Tines will not rotate	<ol style="list-style-type: none"> 1. Shear pin(s) broken. 	<ol style="list-style-type: none"> 1. Replace shear pin(s).

LIMITED WARRANTY

The Manufacturer warrants to the original consumer purchaser that this product as manufactured is free from defects in materials and workmanship. For a period of two (2) years from date of purchase by the original consumer purchaser, we will repair or replace, at our option, without charge for parts or labor incurred in replacing parts, any part which we find to be defective due to materials or workmanship. This Warranty is subject to the following limitations and exclusions.

1. This warranty does not apply to the engine or components parts thereof. Please refer to the applicable manufacturer's warranty on these items.
2. Transportation charges for the movement of any power equipment unit or attachment are the responsibility of the purchaser. Transportation charges for any parts submitted for replacement under this warranty must be paid by the purchaser unless such return is requested by the manufacturer.
3. The Warranty period for any products used for rental or commercial purposes is limited to 90 days from the date of original purchase.
4. This Warranty applies only to products which have been properly assembled, adjusted, operated, and maintained in accordance with the instructions furnished. This Warranty does not apply to any product which has been subjected to alteration, misuse, abuse, improper assembly or installation, delivery damage, or to normal wear of the product.
5. Exclusions: Excluded from this Warranty are belts, tines, tine adapters, normal wear, normal adjustments, standard hardware and normal maintenance.
6. In the event you have a claim under this Warranty, you must return the product to an authorized service dealer.

Should you have any unanswered questions concerning this Warranty, please contact:

HOP
Customer Service Dept.
1030 Stevens Creek Road
Augusta, GA 30907 USA

In Canada contact:
HOP
7075 Ordan Drive
Mississauga, Ontario
L5T 1K6

giving the model number, serial number and date of purchase of your product and the name and address of the authorized dealer from whom it was purchased.

THIS WARRANTY DOES NOT APPLY TO INCIDENTAL OR CONSEQUENTIAL DAMAGES AND ANY IMPLIED WARRANTIES ARE LIMITED TO THE SAME TIME PERIODS STATED HEREIN FOR OUR EXPRESSED WARRANTIES. Some areas do not allow the limitation of consequential damages or limitations of how long an implied Warranty may last, so the above limitations or exclusions may not apply to you. This Warranty gives you specific legal rights, and you may have other rights which vary from locale to locale.

This is a limited Warranty within the meaning of that term as defined in the Magnuson-Moss Act of 1975.

SERVICE NOTES

Poulan PRO

PARTS AND SERVICE

This product has been expertly engineered and carefully manufactured to rigid quality standards. As with all mechanical products, some adjustments or part replacement may be necessary during the life of your unit.

For Parts and service, contact our authorized distributor: call 1-800-849-1297

- For replacement parts, have available the following information:
 - a. Model Number/Manufacturer's I.D. Number
 - b. Description of part.

For Technical Assistance: call 1-800-829-5886

For a Parts Manual, go to our website: www.poulan-pro.com/support.asp

NOTE: Poulan Pro provides parts and service through its authorized distributors and dealers; therefore, all requests for parts and service should be directed to your local dealer(s). The philosophy of Electrolux Home Products is to continually improve all of its products. If the operating characteristics or the appearance of your product differs from those described in this Manual, please contact your local dealer for updated information and assistance.

Poulan Pro

L'ENTRETIEN ET

LES PIÈCES DE RECHANGE

Ce produit, conçu avec les soins les plus attentifs, est fabriqué en accord avec des standards stricts. Comme pour tous les produits avec des parties mobiles, il peut être nécessaire pendant la durabilité de votre machine d'effectuer des ajustements ou le remplacement de certaines pièces.

• Pour les pièces de rechange et l'entretien, contactez notre concessionnaire autorisé: appelez 1-800-849-1297

A. Numéro du modèle/Référence numéro du fabricant

B. Description de la pièce

Pour l'assistance technique: appelez 1-800-829-5886

Pour un manuel de pièces, allez à notre site web: www.poulan-pro.com/support.asp

N.B.: Poulan Pro assure la distribution des pièces de rechange et l'entretien de ses produits par l'intermédiaire des concessionnaires et des distributeurs agréés; par conséquent toute demande de pièces ou d'entretien doit être adressée directement au distributeur agréé le plus proche. La philosophie de Electrolux Home Products est d'améliorer en permanence la gamme complète de ses produits. Si les caractéristiques ou l'apparence de votre outil sont différentes de celles décrites dans ce Manuel, contactez S.V.P. votre concessionnaire pour les informations et l'assistance concernant les mises à jour.

GARANTIE LIMITÉE

Le fabricant garantit à l'acheteur initial que son produit tel que manufacturé est libre de défauts de matière et d'ouvrage. Pendant deux (2) ans, à compter de la date d'achat de la part de l'acheteur initial, nous réparerons ou remplacerons à notre choix, sans facturer les pièces et le travail encouru pendant le remplacement, toute pièce sur laquelle nous estimerons qu'il existe un défaut de matière ou d'ouvrage. Cette garantie est soumise aux limitations et exceptions suivantes:

1. Cette garantie ne couvre pas le moteur ou les pièces de composant de cela. Veuillez-vous consulter la garantie applicable du fabricant des articles.
2. L'acheteur est responsable des frais de transport de tous les équipements actionnés par moteur ou les accessoires. L'acheteur est responsable des frais aussi du transport de toutes les pièces (couvertes par cette garantie) soumis pour le remplacement à moins que le fabricant demande à l'acheteur de renvoyer les pièces.
3. La période de garantie applicable aux produits proposés en location ou à des fins commerciales est limitée à quatre-vingt-dix (90) jours à compter de la date d'achat initial.
4. Cette garantie ne s'applique qu'aux produits correctement montés, réglés, utilisés et entretenus conformément aux instructions données dans la documentation appropriée. Cette garantie ne s'applique pas aux produits qui ont été modifiés, utilisés incorrectement, abusés, mal assemblés, mal installés ou avariés lors de la livraison ou usage normal.
5. Exclusions: Les courroies, les dents, les adaptateurs des dents, l'usage normal, les réglages normaux, la visserie standard, et l'entretien normal sont exclus de cette garantie.
6. En cas de problème entrant dans le cadre de cette garantie, veuillez-vous retourner votre machine à un concessionnaire autorisé.

Si vous auriez aucune question sans réponse concernant cette garantie, s'il vous plaît contactez:

HOP
Customer Service Dept.
1030 Stevens Creek Road
Augusta, GA 30907 USA

Au Canada:
HOP
7075 Ordan Drive
Mississauga, Ontario
L5T 1K6

en nous donnant le numéro du modèle, le numéro de série, la date d'achat de votre machine ainsi que l'adresse du concessionnaire autorisé chez qui vous l'avez achetée.

CETTE GARANTIE NE COUVRE PAS AUCUN DOMMAGE INCIDENTEL OU CONSÉQUENTIEL ET TOUTE GARANTIE IMPLICITE EST LIMITÉE AUX MÊMES PÉRIODES PRÉCISÉES ICI POUR LES GARANTIES EXPLICITES DU FABRICANT. Certaines localités ne permettent aucune restriction des dommages consécutifs ou de la durée d'une garantie implicite et; par conséquent, il se pourrait que les restrictions et exclusions énoncées ci-dessus ne s'appliquent pas à vous. Cette garantie vous donne droits légaux spécifiques et vous pouvez aussi jouir d'autres droits d'un endroit à un autre.

Cette garantie est une garantie limitée comme définie dans la loi Magnuson-Moss Act de 1975.

GUIDE DE DÉPANNAGE

PROBLEME	CAUSE	CORRECTION
Le moteur refuse de démarrer	<ol style="list-style-type: none"> 1. Sans essence. 2. Le moteur n'est pas correctement étrangle. 3. Le moteur est noyé. 4. Filtre à air sale. 5. Il y a d'eau dans l'essence. 6. Réservoir d'essence bouché. 7. Fil de bougie d'allumage est débranché. 8. Mauvaise bougie d'allumage ou l'écart incorrect. 9. Le carburateur demande le réglage. 10. Le filtre à air est trempé d'huile. 	<ol style="list-style-type: none"> 1. Remplissez le réservoir d'essence. 2. Référez-vous à la section "Démarrer le Moteur" dans la section d'utilisation. 3. Attendez quelques minutes avant de démarrer. 4. Nettoyez/remplacez la cartouche de filtre à air. 5. Vidangez l'essence du réservoir et du carburateur, et remplissez le réservoir avec l'essence fraîche. 6. Enlevez le réservoir d'essence et nettoyez-le. 7. Branchez le fil de bougie d'allumage. 8. Remplacez la bougie d'allumage, ou réglez l'écart. 9. Réglez le carburateur. 10. Changez le filtre à air.
Démarrage difficile	<ol style="list-style-type: none"> 1. Mauvais réglage de la commande des gaz. 2. Filtre à air sale. 3. Mauvaise bougie d'allumage ou l'écart incorrect. 4. L'essence sale ou vieille. 5. Fil de bougie d'allumage est débranché. 6. Le carburateur demande le réglage. 	<ol style="list-style-type: none"> 1. Posez la commande des gaz en position rapide ("FAST"). 2. Nettoyez/remplacez la cartouche de filtre à air. 3. Remplacez la bougie d'allumage, ou réglez l'écart. 4. Vidangez l'essence du réservoir et remplissez avec l'essence fraîche. 5. Branchez le fil de bougie d'allumage. 6. Réglez le carburateur.
Le moteur manque de puissance	<ol style="list-style-type: none"> 1. Moteur est surchargé. 2. Filtre à air sale. 3. Niveau d'huile bas ou huile sale. 4. La bougie d'allumage est défectueuse. 5. Présence d'huile dans l'essence. 6. L'essence sale ou vieille. 7. Il y a d'eau dans l'essence. 8. Réservoir d'essence bouché. 9. Fil de bougie d'allumage est débranché. 10. Tamis d'air encrassé. 11. Silencieux est bouché/sale. 12. Le carburateur demande le réglage. 13. Mauvaise compression. 	<ol style="list-style-type: none"> 1. Réglez le tasseau de profondeur et les roues pour labourage moins profond. 2. Nettoyez/remplacez la cartouche de filtre à air. 3. Vérifiez le niveau d'huile ou remplacez-la. 4. Nettoyez, ajustez l'écart ou remplacez la bougie d'allumage. 5. Vidangez, nettoyez et remplissez le réservoir d'essence et nettoyez le carburateur. 6. Vidangez l'essence du réservoir et remplissez avec l'essence fraîche. 7. Vidangez l'essence du réservoir et du carburateur, et remplissez le réservoir avec l'essence fraîche. 8. Enlevez le réservoir d'essence et nettoyez-le. 9. Branchez et serrez le fil de bougie d'allumage. 10. Nettoyez le tamis d'air de moteur. 11. Nettoyez/remplacez le silencieux. 12. Réglez le carburateur. 13. Contactez un centre d'entretien autorisé.
Moteur surchauffe	<ol style="list-style-type: none"> 1. Niveau d'huile bas ou huile sale. 2. Tamis d'air encrassé. 3. Moteur encrassé. 4. Silencieux bouché partiellement. 5. Réglage de carburateur incorrect. 	<ol style="list-style-type: none"> 1. Vérifiez le niveau d'huile ou la remplacez. 2. Nettoyez le tamis d'air. 3. Nettoyez les ailettes de cyl., le tamis d'air, et autour du silencieux. 4. Enlevez et nettoyez le silencieux. 5. Réglez le carburateur à la position plus riche.
Rebondissements excessifs et un manquement difficile	<ol style="list-style-type: none"> 1. Le sol est trop sec et dur. 	<ol style="list-style-type: none"> 1. Mouillez légèrement le sol ou attendez d'être conditions de sol plus favorables.
Terre se groupe en mottes	<ol style="list-style-type: none"> 1. La terre est trop mouillée. 	<ol style="list-style-type: none"> 1. Attendez d'être conditions de sol plus favorables.
Moteur marche mais la motobineuse ne bouge pas	<ol style="list-style-type: none"> 1. Courroie trapézoïdale n'est pas dans les poulies. 2. Mauvais réglage de la courroie trapézoïdale. 3. La barre de commande n'est pas engagée. 	<ol style="list-style-type: none"> 1. Vérifiez la courroie trapézoïdale. 2. Vérifiez/réglez la courroie trapézoïdale. 3. Engagez la barre de commande.
Moteur marche mais peine lors du labourage	<ol style="list-style-type: none"> 1. Labourage trop profond. 2. Mauvais réglage de la commande des gaz. 3. Le carburateur demande du réglage. 	<ol style="list-style-type: none"> 1. Réglez le tasseau de profondeur et les roues pour labourage moins profond. 2. Vérifiez réglage de la commande des gaz. 3. Réglez le carburateur.
Les dents ne tourneront pas	<ol style="list-style-type: none"> 1. Boulon(s) de cisaillement cassé(s). 	<ol style="list-style-type: none"> 1. Remplacez le(s) boulon(s) de cisaillement.

ENTREPOSAGE

Préparez immédiatement votre motobineuse pour l'entreposage à la fin de la saison ou si l'unité ne sera pas utilisée pendant 30 jours ou plus.

ATTENTION: N'entrez jamais la motobineuse lorsque le réservoir contient de l'essence dans un bâtiment où les vapeurs pourraient parvenir à une flamme nue ou une étincelle. Laissez le moteur refroidir avant d'entreposer dans un lieu clos.



MOTOBINEUSE

- Nettoyez complètement la motobineuse (réferez-vous à la section "NETTOYAGE" dans la section Entretien de ce manuel).
- Inspectez, et si nécessaire, remplacez les courroies (Réferez-vous aux instructions de remplacement de courroie dans la section Révision et Réglares de ce manuel).
- Lubrifiez comme illustré dans la section Entretien de ce manuel.
- Assurez-vous que tous les écrous, les boulons et les vis soient bien serrés. Vérifiez si les pièces mobiles sont avariées, brisées et usées. Remplacez-les si nécessaire.
- Retouchez toutes les surfaces peintes rouillées ou éraflées; sablez légèrement avant de peindre.

MOTEUR

SYSTÈME D'ALIMENTATION

IMPORTANT: C'EST TRÈS IMPORTANT D'ÉVITER LA FORMATION DE DÉPÔTS DE GOMME DANS LE CARBURATEUR, LE FILTRE D'ESSENCE, LE TUYAU D'ESSENCE OU LE RÉSERVOIR D'ESSENCE PENDANT L'ENTREPOSAGE. L'EXPÉRIENCE DÉMONTRE QUE LES CARBURANTS MELANGÉS AVEC DE L'ALCOOL (APPELÉS GASOHL, OU UTILISANT DEL'ETHANOL OU DU MÉTHANOL) PEUVENT ATTIRER L'HUMIDITÉ QUI CAUSE LA SÉPARATION ET LA FORMATION D'ACIDES PENDANT L'ENTREPOSAGE. LE GAZ ACIDE PEUT AVARIER LE SYSTÈME D'ALIMENTATION DU MOTEUR PENDANT L'ENTREPOSAGE.

- Vidangez le réservoir d'essence.
- Démarrez le moteur et laissez-le tourner jusqu'à ce que les conduites d'essence et le carburateur soient vides.
- N'utilisez jamais les produits spéciaux pour nettoyer le moteur et le carburateur dans le réservoir d'essence. L'emploi de ces produits pourrait causer des dégâts permanents.
- Utilisez de l'essence fraîche à l'année suivante.

REMARQUE: Un agent stabilisant dans l'essence est une option acceptable pour minimiser la formation de dépôts de gomme de carburant pendant l'entreposage. Ajoutez l'agent à l'essence dans le réservoir d'essence ou dans le bidon de carburant. Suivez toujours le dosage de mélange inscrit sur le bidon de l'agent. Laissez tourner le moteur pendant au moins 10 minutes après avoir ajouté l'agent pour lui permettre d'atteindre le carburateur. Ne vidangez pas le réservoir d'essence et le carburateur si l'agent d'essence est utilisé.

HUILE DE MOTEUR

Vidangez l'huile (quand le moteur est chaud) et remplacez avec l'huile de moteur fraîche. (Réferez-vous à "MOTEUR" dans la section Entretien de ce manuel).

CYLINDRE(S)

- Enlevez la bougie d'allumage.
- Versez une once 28 ml (1 once) d'huile par l'orifice de la bougie d'allumage dans le cylindre.
- Tirez lentement la poignée de démarrage plusieurs fois pour distribuer l'huile.
- Remplacez par une nouvelle bougie d'allumage.

INFORMATION SUPPLÉMENTAIRE

- **Ne conservez pas d'essence d'une saison à l'autre.** Remplacez le bidon d'essence s'il commence à rouiller. La présence de rouille et/ou de saleté dans l'essence causera des problèmes.
 - Entrez la motobineuse à l'intérieur, si possible, et couvrez-la pour la protéger de la poussière et de la saleté.
 - Couvrez la motobineuse avec une couverture imperméable. N'utilisez pas une couverture en plastique. Le plastique obstrue la circulation d'air et permet la formation de condensation qui fera à rouiller l'unité.
- IMPORTANT: NE COUVREZ JAMAIS LA MOTOBINEUSE QUAND LE MOTEUR ET LE CIRCUIT D'ÉCHAPPEMENT SONT ENCLOSES CHAUDS.**

RÉVISION ET RÉGLAGES

MOTEUR

POUR RÉGLER LE CARBURATEUR

Le carburateur a été réglé à l'usine et ne devrait pas être modifié. Cependant, quelques réglages pourraient être nécessaires pour compenser les différences d'altitude, de température, de carburant et de charge. Si un réglage est nécessaire, communiquez avec le centre/département d'entretien autorisé le plus proche.

IMPORTANT: NE TOUCHEZ PAS LE RÉGULATEUR DE MOTEUR. LE CONSTRUCTEUR DE L'ÉQUIPEMENT QUI A MONTÉ LE MOTEUR DÉTERMINE LA VITESSE MAXIMUM HORS CHARGE À LAQUELLE LE MOTEUR DOIT ÊTRE UTILISÉ. NE DÉPASSEZ JAMAIS CETTE VITESSE. CETTE ACTION PEUT ÊTRE DANGÉREUSE. SI VOUS PENSEZ QU'UN RÉGLAGE DE LA VITESSE MAXIMUM EST NÉCESSAIRE, ADRESSEZ-VOUS À L'AGENT AGRÉÉ LE PLUS PROCHE DE VOTRE DOMICILE QUI A LES TECHNICIENS QUALIFIÉS ET LES OUTILS APPROPRIÉS POUR DES RÉPARATIONS NÉCESSAIRES.

RÉVISION ET RÉGLAGES

REMPLACEMENT DES FRAISES (Voir les Fig. 24, 25, et 26)

ATTENTION: Les fraises sont tranchantes. Portez des gants ou d'autres protections quand vous touchez aux fraises.



Une fraise très usée fera travailler votre motobineuse encore plus et creuser à moins de profondeur. Plus important, des fraises usées ne peuvent ni couper en morceaux ni déchiqueter les matières organiques aussi efficacement ni les enterrer aussi profondément que les fraises en bon état. Une fraise usée aussi montrée ci-dessous doit être remplacée.

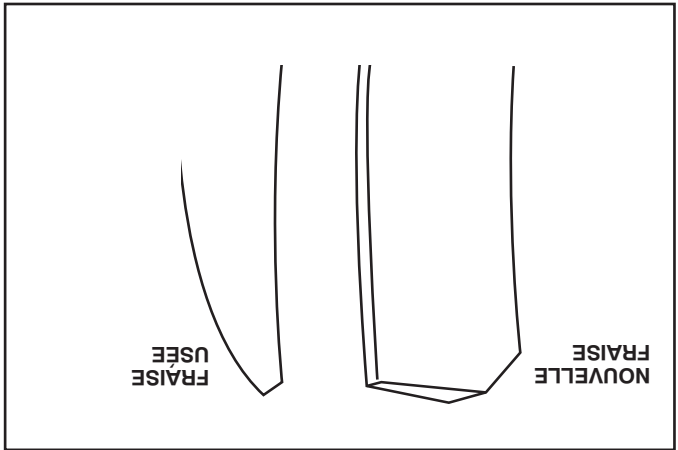


Fig. 24

- Pour conserver cette machine en bon fonctionnement, il convient d'inspecter les fraises du point de vue de l'acuité, de l'usure et du gauchissement, en particulier les fraises qui se trouvent à côté de la transmission. Si l'écart entre les fraises dépasse 3-1/2 pouces (9 cm), il convient de les remplacer ou de les redresser, suivant le cas.
- Les nouvelles fraises devraient être montées comme illustré dans la figure 26. Les bords de fraise aiguisés tourneront en arrière à partir d'en haut.

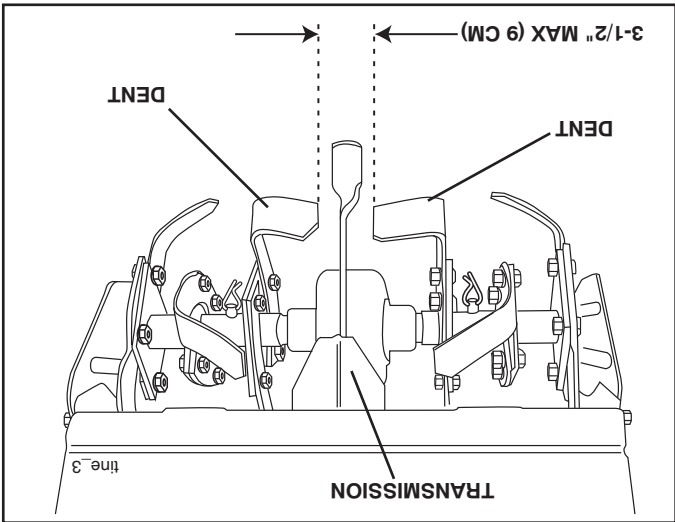


Fig. 25

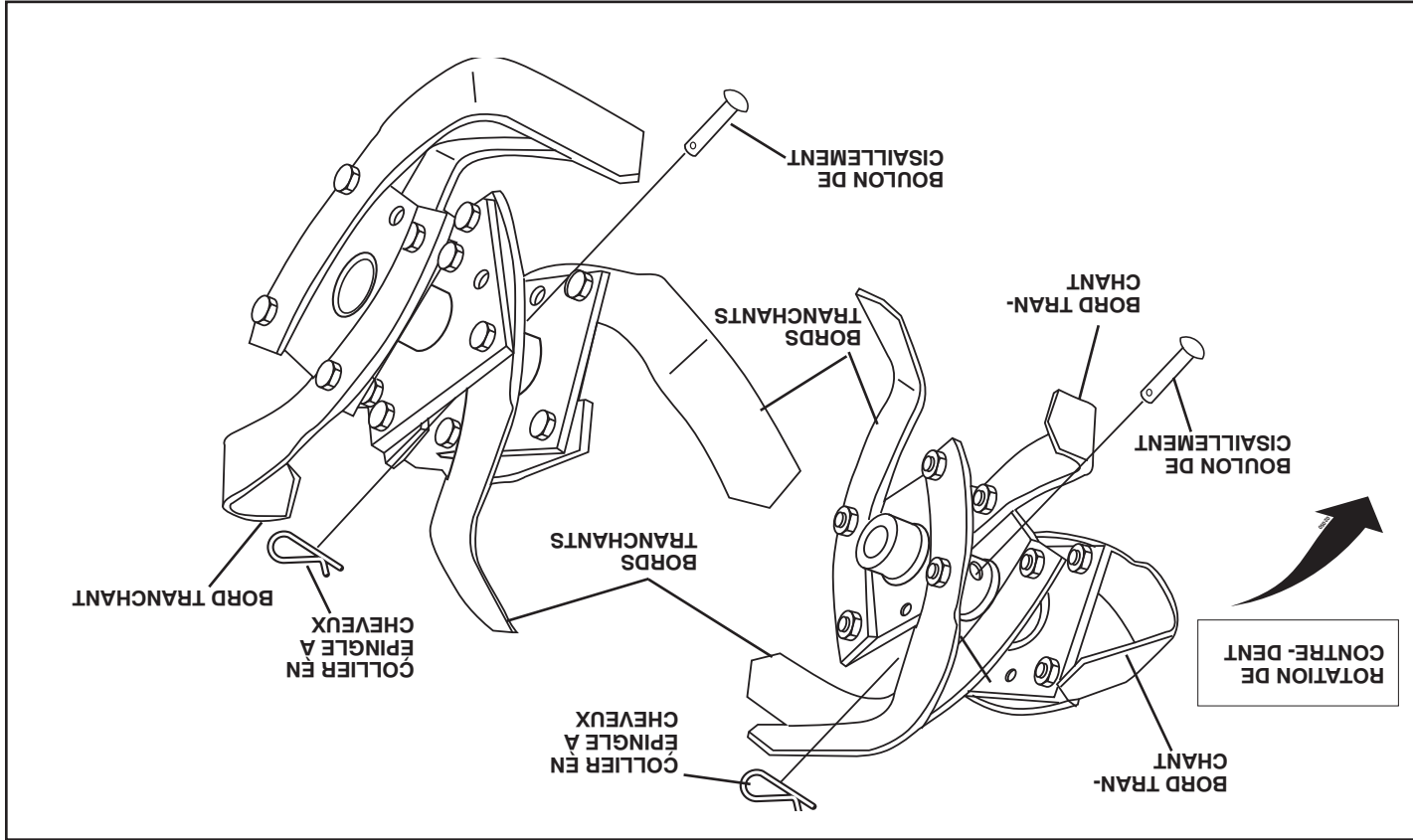


Fig. 26

RÉVISION ET RÉGLAGES

POUR REMPLACER LA COURROIE D'ENTRAÎNEMENT À TERRE

- Enlevez le protecteur de courroie (Voir "ENLEVER LE PROTECTEUR DE COURROIE").
- Enlevez la vieille courroie en la glissant de la poulie du moteur et de la poulie de transmission.
- Posez la nouvelle courroie dans la rainure de la poulie de transmission et dans la poulie du moteur. LA COURROIE DOIT ÊTRE DANS LA RAINURE AU SOMMET DE LA POULIE GALET-TENDEUR. NOTEZ LA POSITION DE LA COURROIE PAR RAPPORT AUX GUIDES.
- Vérifiez le réglage de la courroie comme décrit ci-dessous.
- Remplacez le protecteur de courroie.
- Replaces la roue ainsi que l'axe de chape et le collier en épingle à cheveux.

(Voir les Fig. 22 et 23)

RÉGLER LA COURROIE D'ENTRAÎNEMENT À TERRE (Voir la Fig. 23)

- Pour la tension de courroie correcte, le ressort de traction devrait avoir approximativement un allongement de 5/8 po. (16 mm) lorsque "ENGAGED". Cette tension peut être obtenue comme suit:
- Desserrez la vis de collier de serrage de câble qui fixe le câble de commande d'entraînement.
- Glissez en avant le câble pour moins de tension et en arrière pour plus de tension jusqu'à l'obtention d'un allongement d'environ 5/8 po. (16 mm) pendant que la barre de commande d'entraînement est engagée.
- Resserrez bien la vis de collier de serrage du câble.

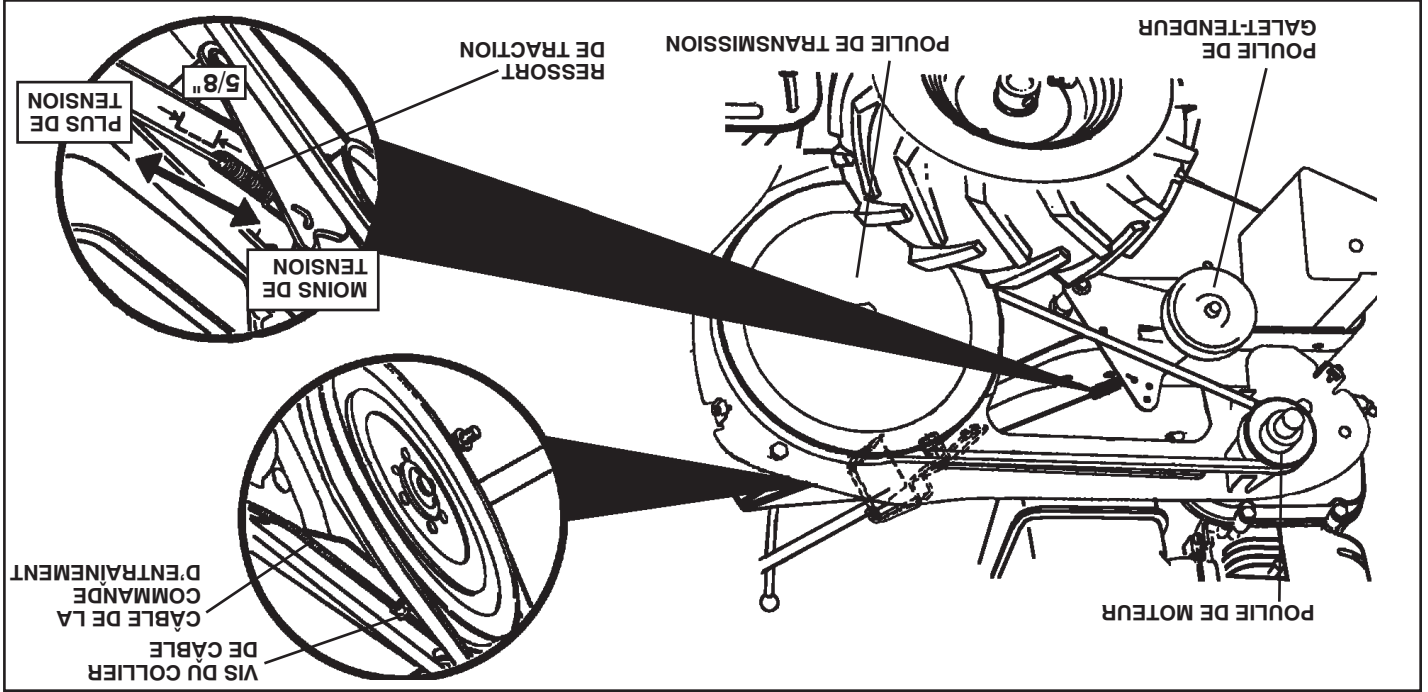


Fig. 23

RÉVISION ET RÉGLAGES

ATTENTION: Débranchez le fil de bougie d'allumage et posez-le à un endroit où il ne peut pas toucher la bougie.



MOTOBINEUSE

POUR RÉGLER LA HAUTEUR DU GUIDON

(Voir la Fig. 20)

Choisissez la hauteur la plus convenable pour vous et les conditions de labourage. La hauteur changera pendant le labourage.

- Relâchez premièrement le levier de verrou de guidon.
- Le guidon peut être posé à différentes positions entre "HAUTE" (HIGH) et "BASSE" (LOW).

- Serrez à fond encore le levier de verrou après le réglage.

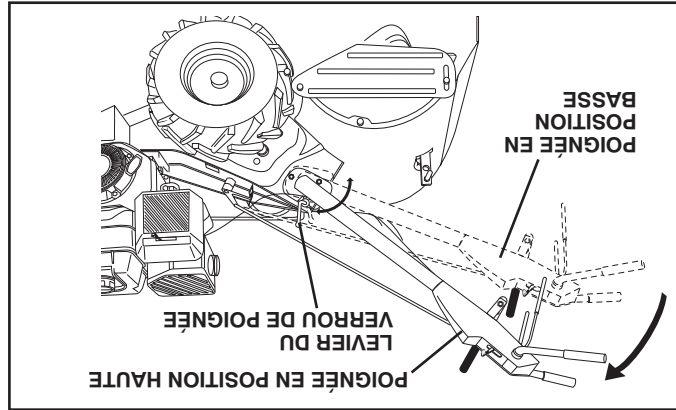


Fig. 20

SOIN DES PNEUS



ATTENTION: Lors du montage des pneus, à moins que les bourrelets soient correctement posés, le gonflement excessif peut provoquer une explosion.

- Maintenez dans les pneus une pression de 20 PSI (1,4 kg/cm²). Si la pression de pneu n'est pas uniforme, la motobineuse tirera d'une côté.
- Maintenez les pneus lubrifiés d'essence ou d'huile qui peuvent endommager le caoutchouc.

POUR ENLEVER LA ROUE (Voir la Fig. 21)

- Mettez des blocs sous la transmission pour éviter le basculement de la motobineuse.
- Enlevez le collier en épingle à cheveux et l'axe de chape de la roue.
- Enlevez la roue et le pneu.
- Réparez le pneu et remontez.

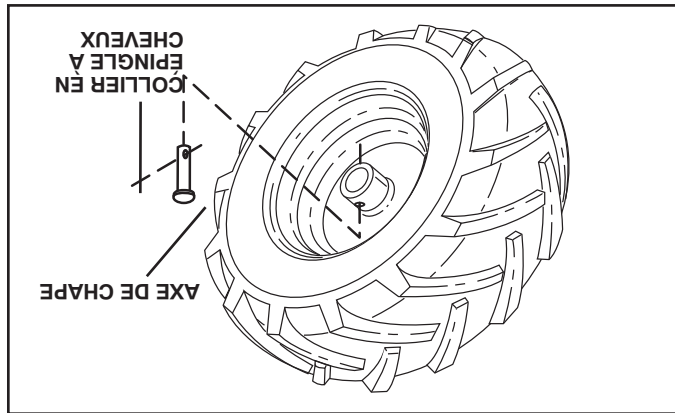


Fig. 21

POUR ENLEVER LE PROTECTEUR DE COUR-ROIE (Voir la Fig. 22)

REMARQUE: Pour faciliter l'enlèvement, enlevez le collier en épingle à cheveux et l'axe de chape de la roue gauche. Tirez la roue de la motobineuse jusqu'à ce que la distance soit 1 po. (2,5 cm).

- Enlevez deux (2) vis du côté du protecteur de courroie.
- Enlevez l'écrou hexagonal et la rondelle du fond du protecteur de courroie (situé derrière le pneu).
- Tirez le protecteur de courroie loin de la motobineuse.
- Remontez le protecteur de courroie en rinversant le procédé ci-dessus.

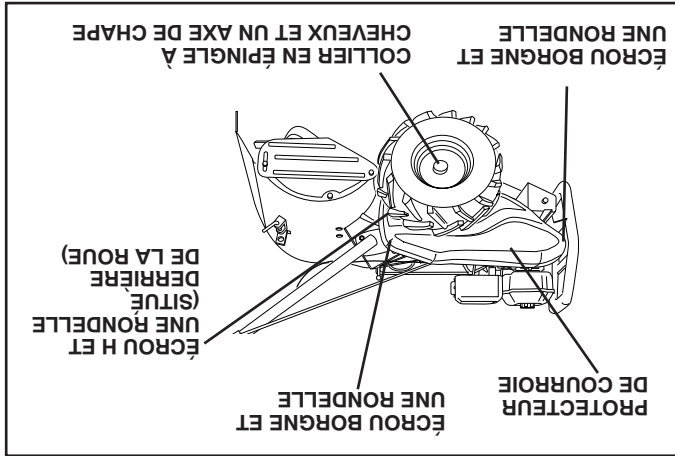


Fig. 22

SYSTEME DE REFROIDISSEMENT

(Voir la Fig. 19)

Votre moteur est refroidi à l'air. Pour un bon fonctionnement du moteur et pour une longue durabilité, maintenez le moteur propre.

- Nettoyez fréquemment le tamis d'air à l'aide d'une brosse à poils raides.
- Enlevez le boîtier de soufflerie et nettoyez-le si nécessaire.
- Conservez les ailettes de cylindre exemptes de saleté et de la balle.

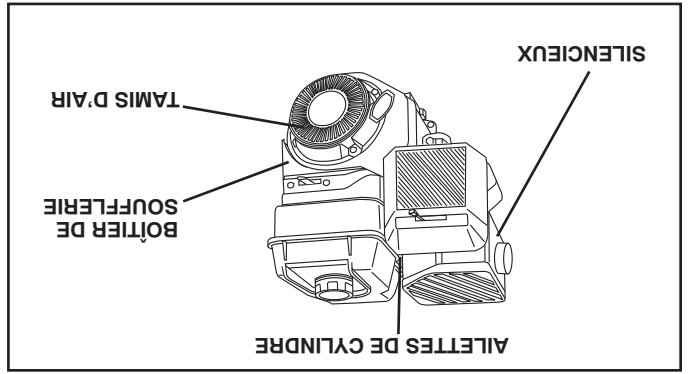


Fig. 19

SILENCIEUX

N'utilisez pas la motobineuse sans silencieux. Ne modifiez pas le système d'échappement. Un silencieux ou un pare-étincelles avarié pose des risques d'incendie. Inspectez-les périodiquement et remplacez-les si nécessaire. Si votre moteur est muni d'un grillage de pare-étincelles, enlevez-le toutes les 50 heures pour le nettoyer et l'inspecter. Remplacez-le s'il est avarié.

BOUGIE D'ALLUMAGE

La bougie d'allumage devrait être changée toutes les 50 heures d'utilisation ou au commencement de la saison de labouillage. Le type de la bougie d'allumage et le réglage de l'écart se trouvent dans la section de "SPECIFICATIONS DU PRODUIT".

TRANSMISSION

Une fois par saison, lubrifiez le raccord de graisse du côté droit de la boîte de vitesse avec 1 once de graisse de EP #1.

NETTOYAGE

Ne pas nettoyer la motobineuse si le moteur et la transmission sont encore chauds. Il serait mieux de ne pas utiliser de l'eau pressurisée (tuyau d'arrosage, etc.) afin de nettoyer la machine sauf si la garniture près de la transmission, le silencieux du moteur, le filtre à air et le carburateur sont protégés contre toute pénétration possible d'eau. L'entrée d'eau au niveau du moteur réduit la durée de votre motobineuse.

- Nettoyez le moteur, les roues, la finition, etc. de toutes les matières étrangères.
- Conservez la propreté des roues et des surfaces peintes en enlevant, l'essence, l'huile, etc.
- Protégez les surfaces peintes avec une cire d'auto.

ENTRETIEN



Débranchez le fil de bougie d'allumage avant d'effectuer tout entretien (sauf le réglage du carburateur) pour éviter un démarrage accidentel du moteur.
Évitez les incendies! Maintenez le moteur exempt d'herbe, de feuilles et d'huile ou de carburant répandu. Vidangez le carburant du réservoir avant de pencher la motobineuse pour l'entretien. Nettoyez la surface du silencieux de toute accumulation d'herbe, de saleté et de débris.
Ne touchez pas à un silencieux chauds de cylindre puisque le contact peut causer des brûlures.

MOTEUR

LUBRIFICATION

Utilisez seulement l'huile détergente de qualité supérieure cotée SG-SL par le service API. Choisissez le degré de viscosité SAE de l'huile selon la température prévue.

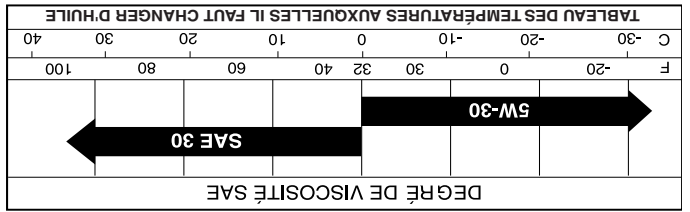


Fig. 16

REMARQUE: Bien que les huiles de multi-viscosité (5W30, 10W30 etc.) améliorent le démarrage par temps froid, leur consommation augmente à plus de 0°C. Vérifiez le niveau d'huile plus fréquemment pour éviter l'avarie du moteur lors de l'utilisation avec un niveau d'huile bas.

Changez l'huile tous les 25 heures d'opération ou au moins une fois par an si la motobineuse est utilisée moins de 25 heures par an.

Vérifiez le niveau l'huile du carter avant de démarrer le moteur et ensuite toutes les cinq (5) heures en cas d'utilisation continue. Ajoutez l'huile moteur SAE 30 ou une huile correspondante. Serrez le bouchon d'huile à chaque fois que vous vérifiez le niveau d'huile.

POUR REMPLACER D'HUILE MOTEUR

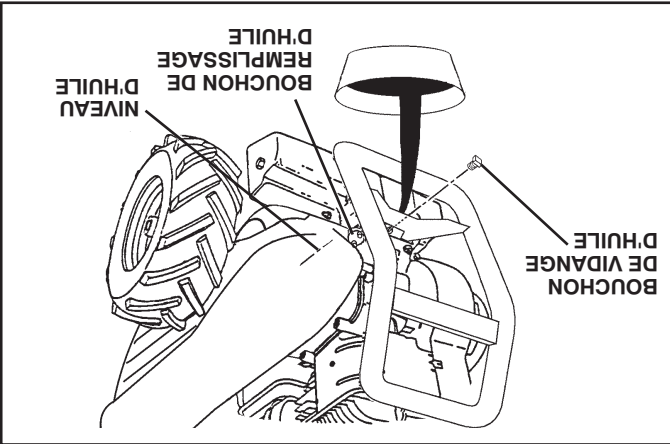
(Voir les Fig. 16 et 17)

Vérifiez la gamme de température prévue avant le prochain remplacement de l'huile. Toutes les huiles doivent rencontrer la classification de service API SG-SL.

- Assurez-vous que la motobineuse soit stationnée sur un terrain plat.
- L'huile se vidangera plus facilement si elle est chaude.
- Utilisez un entonnoir pour éviter l'écoulement d'huile sur la motobineuse, et recueillez l'huile dans un récipient approprié.
- Enlevez le bouchon de vidange.
- Pour un enlèvement plus facile, utilisez une douille de 7/16 à 12 pans avec manche.
- Penchez en avant la motobineuse pour vidanger l'huile.
- Lorsque la vidange est à complète, remettez le bouchon de vidange d'huile et serrez à fond.
- Enlevez le bouchon de remplissage d'huile. Ne laissez pas de saletés entrer dans le moteur.
- Remplissez le moteur avec l'huile. Voir la section de ce manuel "NIVEAU D'HUILE" dans la section utilisation de ce manuel.

FILTRE À AIR (voir la Fig. 18)

Fig. 17



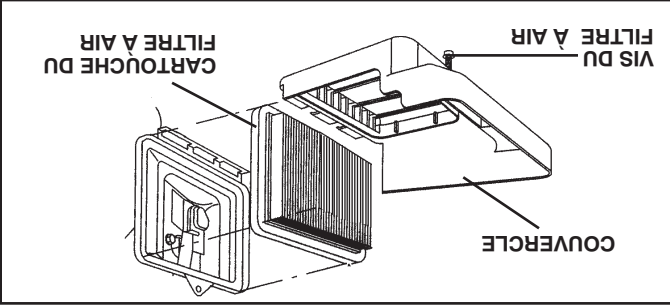
Remplacez la cartouche du filtre à air toutes les 50 heures, plus souvent si les conditions sont poussiéreuses.

- Desserrez les vis du filtre à air, une sur chaque côté du couvercle.
- Enlevez le couvercle du filtre à air.
- Enlevez soigneusement la cartouche de filtre à air. Faites attention. Ne laissez pas de saletés ou de débris entrer dans le carburateur.
- Nettoyez en la frappant légèrement sur une surface plate.
- Si elle est très sale ou avariée, remplacez la cartouche.
- Nettoyez et remettez le couvercle. Serrez à fond les vis.

ATTENTION: Les solvants de pétrole, tels que le kérosène, ne doivent pas être utilisés pour nettoyer la cartouche, ils risquent la détérioration de la cartouche. Ne mettez pas d'huile sur la cartouche. N'utilisez pas d'air comprimé pour nettoyer ou sécher la cartouche.



Fig. 18



ENTRETIEN

CALENDRIER D'ENTRETIEN

INSCRIEZ LES DATES AU FUR ET À MESURE QUE VOUS EFFECTUEZ LES ENTRETIENS RÉGULIERS

<p>AVANT CHAQUE USAGE</p> <p>TOUTES LES 5 HEURES</p> <p>TOUTES LES 25 HEURES</p> <p>TOUTES LES 50 HEURES</p> <p>UNA VEZ POR TEMPORADA</p>	Vérifiez le niveau d'huile de moteur	<input checked="" type="checkbox"/>																			
	Changez l'huile de moteur	<input checked="" type="checkbox"/>	^{1,2}																		
	Huilez les points de pivotement	<input checked="" type="checkbox"/>																			
	Inspectez le silencieux pare-étincelles	<input checked="" type="checkbox"/>																			
	Inspectez le tamis à air	<input checked="" type="checkbox"/>																			
Nettoyez/remplacez la cartouche du filtre à air	<input checked="" type="checkbox"/>					²															
Nettoyez les ailettes de cylindre du moteur	<input checked="" type="checkbox"/>																				
Remplacez la bougie d'allumage	<input checked="" type="checkbox"/>																				
Raccord de graisse du côté droit de la boîte de vitesse (1 once)	<input checked="" type="checkbox"/>																				

- 1 - Changez plus souvent quand la motobineuse fonctionne sous une charge lourde ou à température ambiante élevée.
- 2 - Faites entretenir plus souvent dans des conditions poussiéreuses ou sales.

RECOMMANDATIONS GÉNÉRALES

La garantie pour cette motobineuse ne couvre pas les éléments qui ont été sujets à un abus soit à de la négligence de la part de l'opérateur. Pour conserver une garantie complète, l'utilisateur doit maintenir la motobineuse tel que précisé dans ce manuel. Quelques ajustements sont nécessaires périodiquement pour maintenir correctement votre motobineuse. Tous les réglages dans la section de Révision et Réglages de ce manuel devraient être vérifiés au moins une fois par saison. Une fois par an, remplacez la bougie d'allumage, nettoyez ou remplacez le filtre à air, et vérifiez les fraises et les courroies pour les signes d'usure. Une nouvelle bougie d'allumage et un nouveau filtre à air propre assurent un mélange air/essence correct et ainsi permettent à votre moteur de mieux fonctionner et de durer plus longtemps.

AVANT CHAQUE UTILISATION

- Vérifiez le niveau d'huile de moteur.
- Vérifiez le fonctionnement des fraises.
- Vérifiez la solidité des systèmes de fixation.

LUBRIFICATION

Assurez que votre motobineuse est bien lubrifiée. Reportez au "TABLEAU DE LUBRIFICATION".

- ① HUILE DE MOTEUR SAE 30 OU 10W30
- ② RÉFÉREZ-VOUS À LA SECTION DE ENTRETIEN DE MOTEUR.
- ③ GRAISSE DE EP #1.

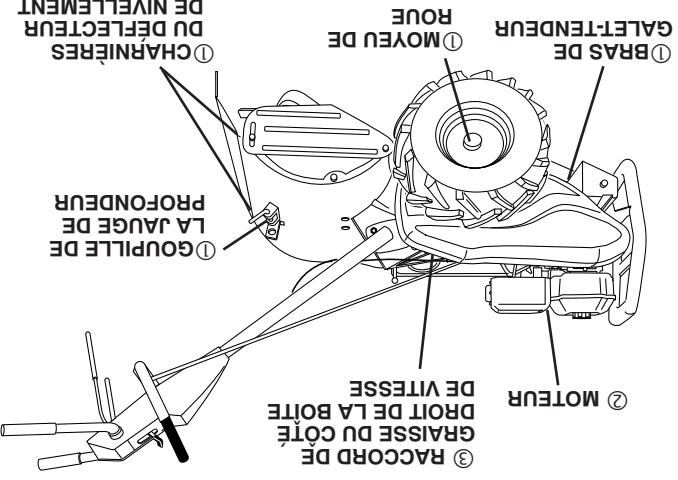


TABLEAU DE LUBRIFICATION

- Empoignez la poignée de démarrage de recul avec une main et avec l'autre, empoignez la poignée de motobineuse. Tirez lentement la corde jusqu'à ce que le moteur commence le cycle de compression (la corde résistera légèrement à ce moment-là).
- Tirez la poignée de démarrage de recul d'une action continue rapide. Ne laissez pas la poignée de démarrage revenir brusquement contre le démarreur.
- Si le moteur ne démarre pas, bougez la commande de starter à demi-position. Tirez la poignée de démarrage (recul) jusqu'à ce que le moteur démarre.
- Quand le moteur démarre, déplacez lentement la manette de commande du starter à la position "MARCHÉ" (RUN) comme le moteur réchauffe.
- **REMARQUE:** Un moteur chaud peut demander moins d'étranglement pour démarrer.
- Déplacez la commande des gaz à la position de marche désirée.
- Laissez le moteur se réchauffer pendant quelques minutes avant d'engager les dents.
- **REMARQUE:** Le mélange de carburant demandera un réglage pour obtenir le meilleur rendement du moteur si les altitudes sont supérieures à 914,4 mètres (3000 ft.) ou quand les températures sont froides (intérieures de 32°F/0°C). Voir "POUR RÉGLER LE CARBURATEUR" dans la section de Révision et Réglages de ce manuel.
- **REMARQUE:** Si le moteur ne démarre pas, voir le guide de démarrage.

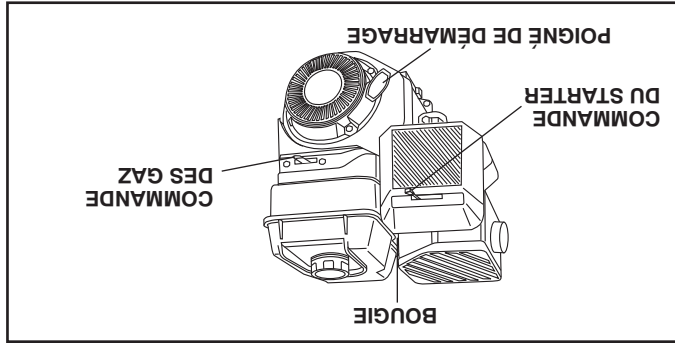


Fig. 13

CONSEILS DE LABOURAGE

ATTENTION: Utilisez la motobineuse avec la commande des gaz à la position lente "SLOW" (à mi-chemin entre les positions rapide "FAST" et lente "IDLE") jusqu'à ce que vous soyez habitué à elle.

- Le labourage est le creusage en retournant et en ameublissant le sol durci avant de semer. Le sol défilé aide à la croissance des racines. La meilleure profondeur de labourage est de 4 à 6 pouces (10-15 cm). Une motobineuse aide aussi à enlever les mauvaises herbes. La décomposition de ces mauvaises herbes enrichit le sol. Dépendant du climat (la pluie et le vent) il peut être préférable de labourer le sol à la fin d'une saison de récolte pour mieux conditionner le sol.
- Les conditions du sol sont importantes pour un bon labourage. Les dents ne pénétreront pas facilement un sol sec et dur qui peut contribuer à des rebondissements exagérés et un maintien difficile de votre motobineuse. Un sol dur doit être humidifié avant le labourage; par conséquent, un sol extrêmement mouillé formera des boules ou des mottes durant le labourage. Attendez jusqu'à ce que le sol soit moins mouillé afin d'obtenir les meilleurs résultats. Quand le labourage se fait à l'automne, enlevez les vignes et les longues herbes pour empêcher celles-ci de s'enrouler autour de l'arbre des dents et ralentir l'opération de labourage.

- Vous trouverez le labourage beaucoup plus facile si vous laissez un sillon non bêché entre les passes. En ce temps-là, retournez le rang de labourage (Voir la Fig. 14). Il y a deux raisons pour faire ceci. Premièrement, des virages larges sont beaucoup plus faciles à prendre que faire des demi-tours. Deuxièmement, la motobineuse ne vous entrainera pas vers le rang bêché qui est le plus proche.
- Ne vous appuyez pas sur la poignée. Ceci enlève du poids aux roues et réduit la traction. Pour traverser une section vraiment coriace de gazon ou de terre dure, appliquez de la pression vers le haut sur la poignée ou descendez le tasseau de profondeur.

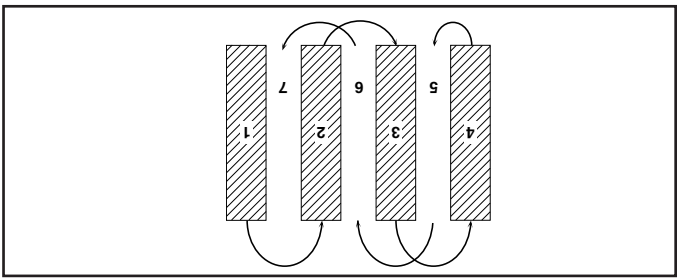


Fig. 14

BINAGE

- Le binage est un labourage peu profond entre les sillons pour arracher les mauvaises herbes et pour les empêcher de priver les plantes de l'humidité et des aliments. De plus, l'ameublissement de la couche supérieure de la croûte contribuera à la conservation de l'humidité dans le sol. La meilleure profondeur de binage se situe entre 1 et 3 pouces (2,5 à 7,5 cm). Baissez les déflecteurs latéraux extérieurs pour protéger les petites plantes.
- Binez les lignes de long en large à une vitesse qui permette aux dents de déraciner les mauvaises herbes et de laisser le sol à l'état brut pour faire en sorte que les mauvaises herbes et le gazon n'y poussent plus (Voir la Fig. 15).

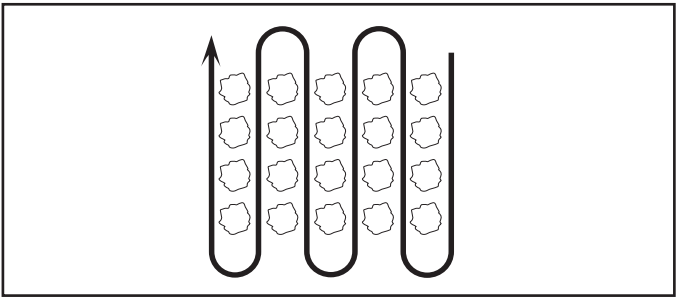


Fig. 15

BOULONS DE CISAILLEMENT DES DENTS

- Les ensembles des dents sur votre motobineuse sont fixés à l'arbre des dents dans la section de Révision et Réglages de ce manuel). Si la motobineuse est surchargée ou coincée, les boulons de cisaillement sont conçus pour casser avant que des dommages internes surviennent à la transmission.
- Si les boulons de cisaillement cassent, remplacez-les seulement avec ceux montés dans la section des Pièces de Remplacement de ce manuel.

UTILISATION

VIRER

- Relâchez la barre de commande d'entraînement.
- Déplacez la commande des gaz à la position lente ("LOW").
- Mettez l'indicateur de levier de changement de vitesse à la position de devant ("F"). Les fraises ne tourneront pas.
- Soulevez la poignée pour élever les fraises du sol.
- Tournez la poignée dans la direction opposée de la direction que vous voudriez virer, faites attention que les pieds et les jambes ne sont pas près des fraises.
- Quand vous avez fini de changer la direction, relâchez la barre de commande d'entraînement et baissez la poignée. Mettez le levier de changement de vitesse en position labou- rage ("T") et déplacez la commande des gaz à la position désirée. Pour commencer le labourage, tenez la barre de commande d'entraînement contre la poignée.

POUR TRANSPORTER

ATTENTION: Laissez refroidir le moteur et le silencieux avant de soulever ou transporter. Débranchez le fil de bougie d'allumage. Vidangez l'essence du réservoir.

DANS LA COUR

- Déclenchez la goupille de la jauge de profondeur. Déplacez vers le fond la jauge de profondeur au trou en haut pour transporter la motobineuse. Mettez la goupille de la jauge de profondeur dans le trou de la jauge de profondeur enclencher en position.
- Mettez l'indicateur du levier de changement de vitesse à la position de devant (F) pour le transport.
- Tenez la barre de commande d'entraînement contre la poignée pour commencer le mouvement de la motobineuse. Les dents ne tourneront pas.
- Déplacez la commande des gaz à la position désirée.

EN VILLE

- Débranchez le fil de bougie d'allumage.
- Vidangez le réservoir d'essence.
- Ne penchez pas la motobineuse sur le côté pendant le transport afin d'éviter une fuite d'huile.

AVANT DE DÉMARRER LE MOTEUR

IMPORTANT: FAITES ATTENTION DE NE PAS PERMETTRE DES CONTAMINANTS ENTRENT DANS LE MOTEUR LORSQUE VOUS FAITES LA VÉRIFICATION, OU LE REMPLISSAGE DE L'HUILE OU DU CARBURANT. UTILISEZ DE L'HUILE ET DU CARBURANT PROPRE ET ENTREPOSEZ-LES DANS DES RÉCIPIENTS PROPRES, COUVERTS QUI ONT ÉTÉ APPROUVÉS. UTILISEZ DES ÉNTONNOIRS PROPRES.

REMPLIR LE MOTEUR D'HUILE

(Voir la Fig. 12)

- Le moteur de votre appareil a été rempli à l'usine avec l'huile SAE 30 d'été avant l'expédition.
- Le moteur de niveau, lavez l'aire autour du bouchon de remplissage d'huile et enlevez le bouchon.
- L'huile de moteur devrait être remplie jusqu'au point de débordement quand le moteur est de niveau. Voir la section «SPECIFICATIONS DU PRODUIT» sur la page 3 de ce manuel. Toute l'huile doit être conforme au service d'A.R.I., classification SG ou SL.
- Pour un démarrage facile pendant l'hiver, on devrait remplacer l'huile. (Voir le tableau de viscosité d'huile dans la section de entretien de ce manuel).
- Pour remplacer l'huile, voir la section de entretien de ce manuel.

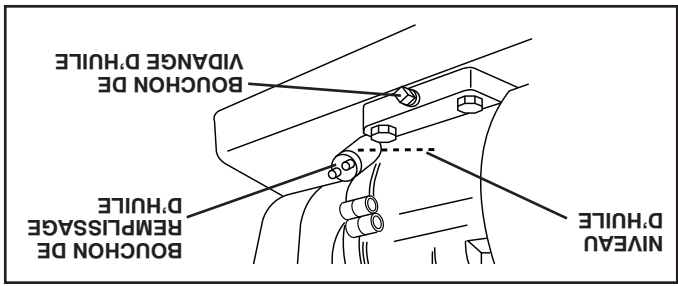


Fig. 12

REMPLIR LE RÉSERVOIR D'ESSENCE

- Remplissez le réservoir d'essence. Utilisez de l'essence sans plomb régulière, fraîche, et propre. (L'utilisation d'essence sans plomb tend à réduire les dépôts calaminés et prolonge la vie des soupapes.)

IMPORTANT: POUR ASSURER UN BON DÉMARRAGE À MOINS DE 32°F (0°C), ON DOIT UTILISER L'ESSENCE FRAÎCHE, PROPRE ET HOMOLOGUÉE POUR L'HIVER.

AVERTISSEMENT: L'expérience indique que les essences contiennent de l'alcool (éthanol ou méthanol et qui sont parfois appelées Gasohol) peuvent absorber de l'humidité ce qui conduit à la séparation des éléments du mélange et à la formation d'acide pendant l'entreposage. L'essence devenue l'acide, peut endommager le système d'essence pendant la durée d'entreposage. **Pour éviter les problèmes de moteur, le circuit d'essence devrait être vidé avant un entreposage d'une durée égale ou supérieure à 30 jours.** Vidangez le réservoir d'essence, démarrez le moteur et laissez-le fonctionner jusqu'à ce que les conduites d'essence et le carburateur soient vides. La saison suivante utilisez de l'essence fraîche. Consultez les instructions d'entreposage de ce manuel pour des informations complémentaires. N'utilisez jamais de produits spéciaux pour nettoyer le moteur ou le carburateur dans le réservoir d'essence. L'emploi de ces produits pourrait causer des dégâts permanents.

POUR DÉMARRER LE MOTEUR

(Voir la Fig. 13)

ATTENTION: Lors du démarrage du moteur, maintenez la barre de commande d'entraînement en position d'arrêt (OFF).

- Assurez-vous que le fil de la bougie d'allumage soit correctement branché.
 - Mettez la commande des gaz dans la position point mort (NEUTRAL) "N".
 - Déplacez la commande du starter dans la position (RAPIDE) "FAST".
 - Tournez la valve de fermeture du circuit d'essence de 1/4 tour à la position OUVRETE.
 - Déplacez la commande du starter à la position "STARTER".
- Quand vous démarrez un moteur pour la première fois ou quand le moteur n'a plus d'essence, il sera nécessaire de tirer plus d'une fois la poignée de démarrage (recul) pour permettre que l'essence se déplace au moteur.

UTILISATION

L'utilisation d'une motobineuse présente le risque de la projection des particules dans les yeux, ce qui peut causer des blessures sérieuses. Portez toujours des lunettes de sécurité ou une visière avant de démarrer la motobineuse et lorsque vous labourez. Nous recommandons une visière de sécurité panoramique pour ceux qui portent des lunettes ou des lunettes de sécurité standard.



COMMENT UTILISER VOTRE MOTO-BINEUSE

Assurez-vous de connaître toutes les commandes avant d'ajouter l'essence, l'huile ou avant de démarrer le moteur.

ARRÊT (Voir la Fig. 9)

FRAISES ET ENTRAÎNEMENT

- Relâchez la barre de commande d'entraînement pour arrêter le mouvement.
- Déplacez le levier du changement de vitesse à la position "N" (neutre).

MOTEUR

- Déplacez la commande des gaz à la position "ARRÊT" ("STOP"). Si muni d'un interrupteur d'arrêt, bougez l'interrupteur à la position d'arrêt.
- N'utilisez jamais le starter pour arrêter le moteur.

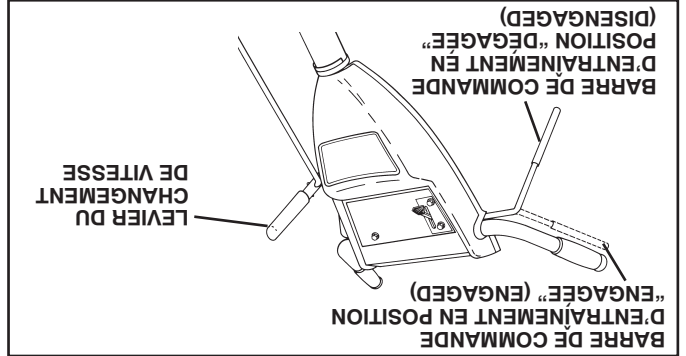


Fig. 9

UTILISATION DES FRAISES- AVEC LA COMMANDE DE ROUE

- Relâchez toujours la barre de commande d'entraînement avant de déplacer le levier de changement de vitesse à une autre position.
- Le mouvement des dents commence quand le levier de changement de vitesse a été déplacé à la position de labourage (R) et la barre de commande d'entraînement a été engagée.

MARCHE AVANT-ROUES SEULEMENT/LES FRAISES ARRÊTÉES

- Relâchez la barre de commande d'entraînement et déplacez l'indicateur de levier de changement de vitesse à la position de devant ("F"). Engagez la barre de commande d'entraînement et la motobineuse marchera en avant.

MARCHE ARRIÈRE-ROUES SEULEMENT/LES FRAISES ARRÊTÉES

- NE VOUS POSITIONNEZ PAS DIRECTEMENT DERRIÈRE LA MOTOBINEUSE.
- Relâchez la barre de commande d'entraînement.
- Déplacez la commande des gaz à la position lente ("SLOW").
- Déplacez l'indicateur de levier de changement de vitesse à la position marche arrière ("R").

C'EST DIFFICILE DE CHANGER LES VITESSES.

- Engagez subitement la barre de commande d'entraînement et relâchez ou basculez la tige braquante en avant et en arrière jusqu'à ce qu'il est possible de déplacer les changements de vitesse.

JAUGE DE PROFONDEUR (Voir la Fig. 10)

Le jauge de profondeur peut être soulevé ou baissé pour vous donner le labourage et le binage aux usages variés ou pour le transport facile de votre motobineuse.

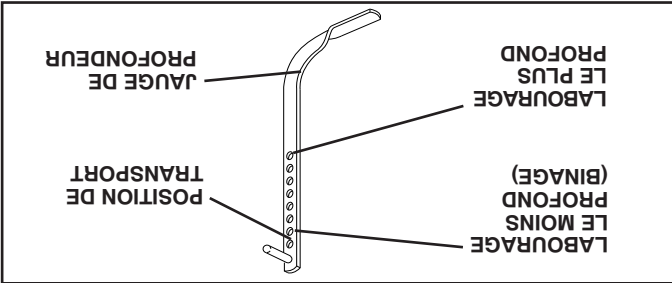


Fig. 10

LABOURAGE (voir la Fig. 11)

- Déclenchez la goupille du jauge de profondeur. Tirez vers le haut le jauge pour augmenter la profondeur du labourage. Mettez la goupille dans le trou du jauge de profondeur pour verrouiller celui-ci.
- Déplacez l'indicateur de levier de changement de vitesse à la position labourage.
- Maintenez la barre de commande d'entraînement contre la poignée pour commencer le labourage. Les dents et les roues tourneront.
- Mettez la commande des gaz à la position rapide ("FAST") pour un labourage plus profond. Pour biner, la commande des gaz peut être déplacée à la position désirée.

IMPORTANT: RELÂCHEZ TOUJOURS LA BARRE DE COMMANDE D'ENTRAÎNEMENT AVANT DE DÉPLACER LE LEVIER DE CHANGEMENT DE VITESSE À UNE AUTRE POSITION.

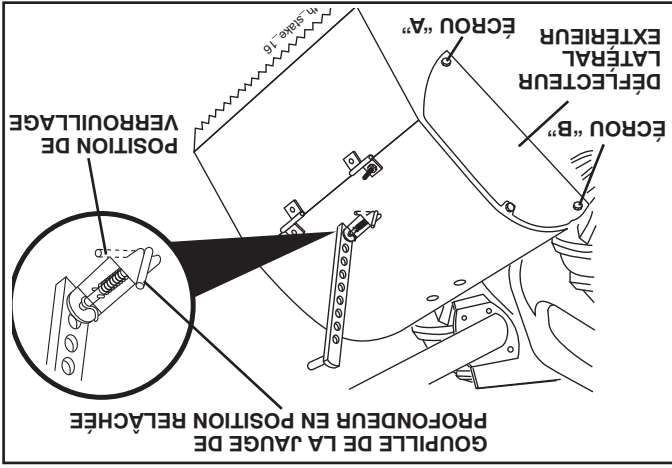


Fig. 11


UTILISATION

CONNAISSEZ VOTRE MOTOBINEUSE

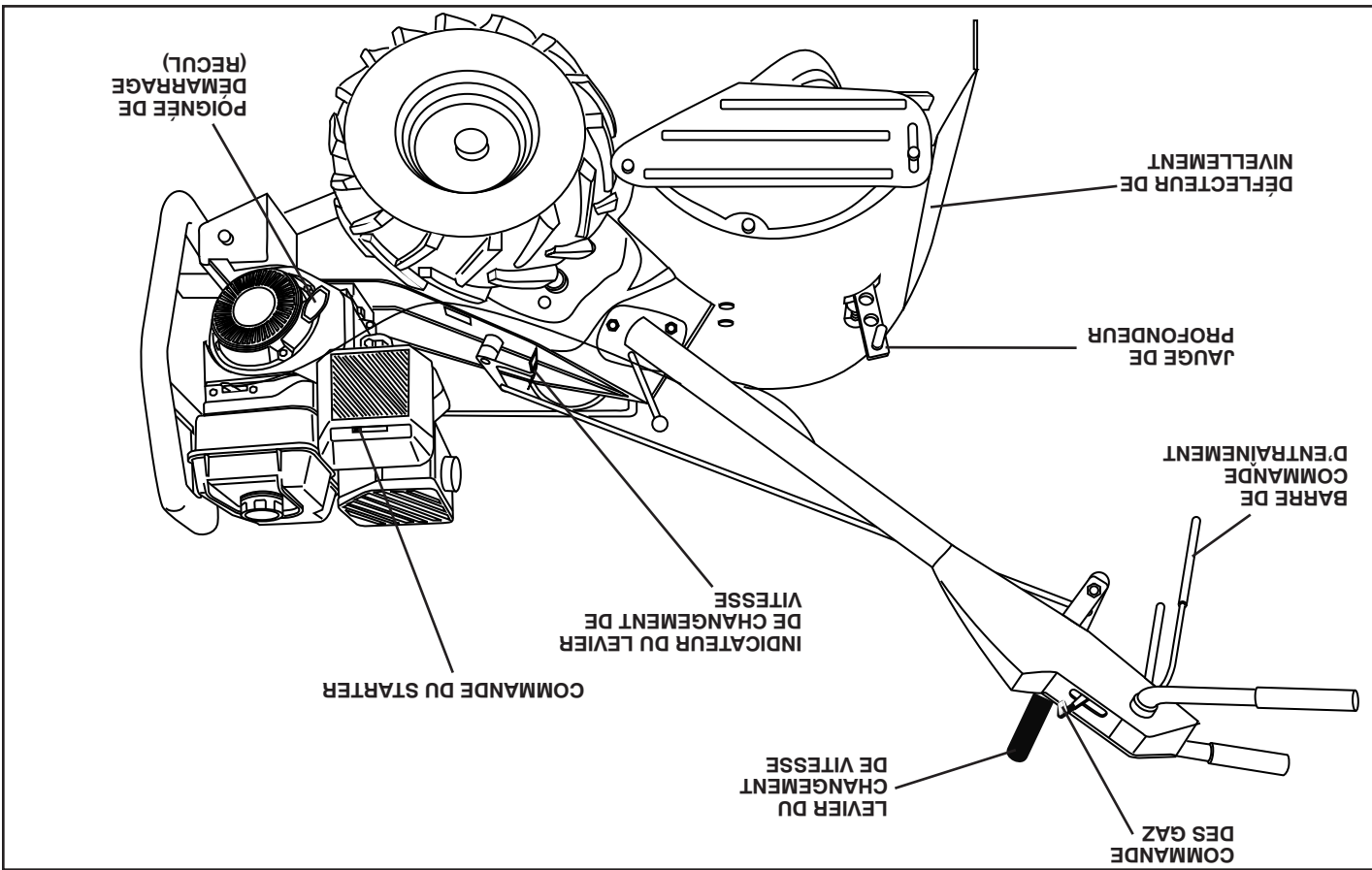
LISEZ CE MANUEL DU PROPRIÉTAIRE ET LES RÈGLES DE SÉCURITÉ AVANT D'UTILISER VOTRE MOTOBINEUSE.

Comparez les illustrations à votre motobineuse pour connaître les positions des différentes commandes et les différents réglages. Conservez ce manuel.

Ces symboles peuvent figurer sur votre motobineuse ou dans les publications fournies avec le produit. Apprenez et comprenez la signification des symboles.



- LABOURAGE EN AVANT
- POINT MORT
- MARCHE
- ATTENTION OU DÉMARRER LE MOTEUR
- ARRIÈRE AVERTISSEMENT LE MOTEUR
- FNR
- COUPER RAPIDE
- COUPER LENTE
- STOP
- ÉTRANGLEUR
- ESSENCE
- HUILE
- ARRÊT
- MARCHE



Cette motobineuse sort conforme aux normes de sécurité standard du "American National Standards Institute".

BARRE DE COMMANDE D'ENTRAÎNEMENT - permet d'engager la motobineuse.

COMMANDE DU STARTER - employé pour démarrer un moteur froid.

COMMANDE DES GAZ - permet de commander la vitesse de moteur.

DÉFLECTEUR DE NIVELLEMENT - employé pour niveler le sol.

JAUGE DE PROFONDEUR - commande la profondeur auquelle la motobineuse bêche.

LEVIER DU CHANGEMENT DE VITESSE - permet de changer de vitesse des transmissions intermédiaires.

INDICATEUR DU LEVIER DE CHANGEMENT DE VITESSE - indique la position de l'engrènement de la transmission.

POIGNÉE DE DÉMARRAGE (RECU) - permet de démarrer le moteur.

MONTAGE

ATTACHER LE CABLE D'EMBRAYAGE

(Voir la Fig. 6)

- Accrochez l'extrémité du câble d'embrayage à travers du trou dans le support de la barre de commande au besoin.

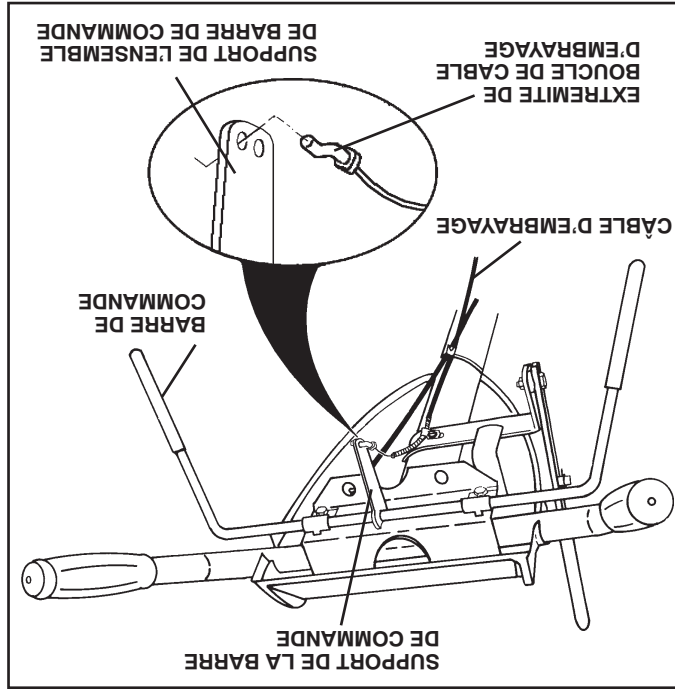


Fig. 6

RACCORDER LA TIGE DE CHANGEMENT DE VITESSE (Voir la Fig. 7)

- Insérez l'extrémité de la tige de changement de vitesse dans le trou de l'indicateur de levier de changement de vitesse.
- Insérez le collier en épingle à cheveux à travers le trou de la tige de changement de vitesse pour la fixer.

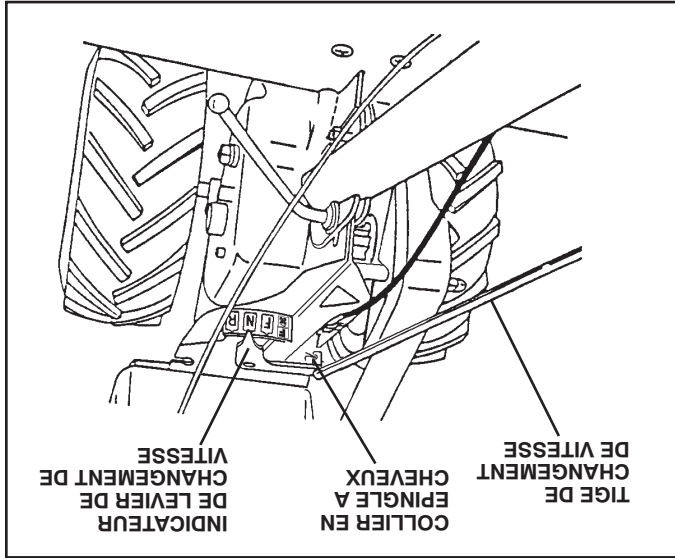


Fig. 7

ENLEVER LA MOTOBINEUSE DU CARTON

- Assurez-vous que l'indicateur de levier de changement de vitesse est en position point mort ("N") (Voir la Fig. 7).
- Penchez la motobineuse vers le devant en levant la poignée. Séparez le couvercle en carton du déflecteur de nivellement.
- Tournez la poignée de motobineuse à droite et enlever la motobineuse du carton.

VERIFIER LA PRESSION DE PNEU

Les pneus ont été surgonflés à l'usine pour l'expédition. La pression doit être la même pour les deux pneus pour obtenir les meilleurs résultats de labourage.

- Réduisez la pression de pneu à 1,4 kg/cm² (20 PSI).

HAUTEUR DE POIGNEE

- La hauteur de poignée peut être réglée pour convenir à l'opérateur. (Voir la section de "REGLER LA HAUTEUR DE POIGNEE" dans la section ce manuel.)

MONTAGE

DEBALLER LE CARTON (Voir la Fig. 2)

ATTENTION: Faites attention aux agrafes du carton.



IMPORTANT: LORSQUE VOUS DEBALLER OU MONTEZ LA MOTOBINEUSE, FAITES ATTENTION DE NE PAS ALLONGER OU ENTORTILLER LE(S) CABLE(S).

Pendant que vous tenez l'ensemble de la poignée, coupez les attaches plastiques qui fixent l'ensemble de la poignée au cadre supérieur. Laissez appuyer l'ensemble de la poignée sur la motobineuse.

Enlevez le cadre supérieur du carton. Soulevez doucement l'ensemble de poignée et le posez sur le sommet du carton.

Coupez les coins droits au devant et à l'arrière du carton et couchez le côté du carton.

Enlevez les matériaux d'emballage.

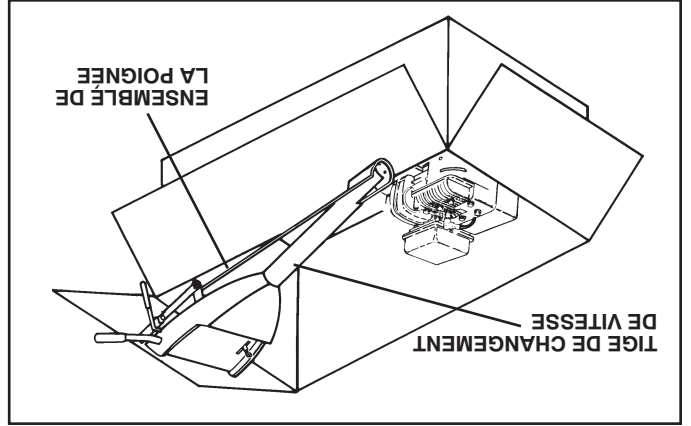


Fig. 2

INSTALLER LA POIGNEE (Voir les Fig. 3, 4, et 5)

Insérez un verrou de poignée (les dents vers l'extérieur) dans l'encoche de la boîte de vitesse. (Appliquez de la graisse sur le côté lisse du verrou de poignée pour garder le verrou en position.)

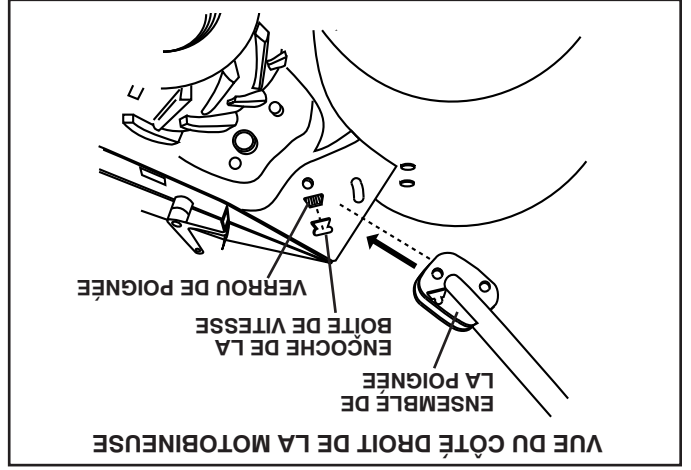


Fig. 3

Empoignez l'ensemble de poignée. Le tenez en position "haute". Assurez que le verrou de poignée reste dans l'encoche de la boîte de vitesse. Glissez l'ensemble de poignée en position.

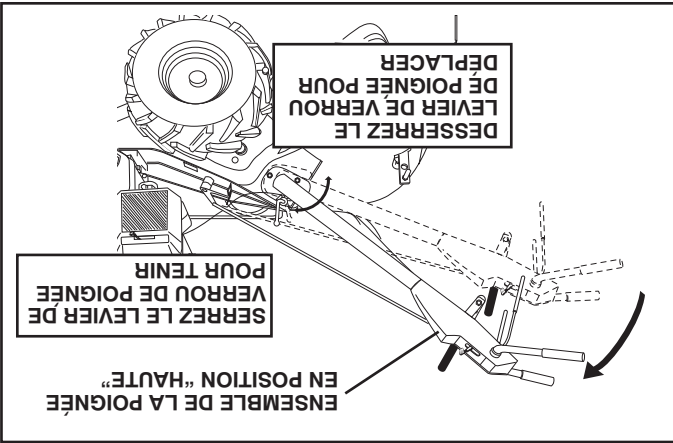


Fig. 4

Insérez l'ensemble de la poignée. Insérez d'abord le verrou de poignée, avec la tête du verrou de poignée vers l'arrière, dans la section antérieure de la plaque, et serrez à fond.

Coupez les coins restant du carton et mettez-les plats. Baissez l'ensemble du guidon. Serrez l'écrou sur le boulon de chariot afin que la poignée bouge avec résistance. Ceci permettra un réglage plus facile.

Mettez la rondelle plate sur l'extrémité fileté du levier de verrou de poignée à travers du socle de la poignée et la boîte de vitesse. Vissez assez du levier du verrou de poignée pour maintenir en place le levier.

Insérez le verrou de poignée plus mince (les dents vers l'intérieur) dans l'encoche du socle de poignée (à l'intérieur de la rondelle).

Mettez l'ensemble de la poignée à la position la plus basse et serrez à fond le levier de poignée en le tournant dans le sens des aiguilles d'une montre. Il sera plus facile d'enlever la motobineuse du carton en laissant l'ensemble de la poignée à la position la plus basse.

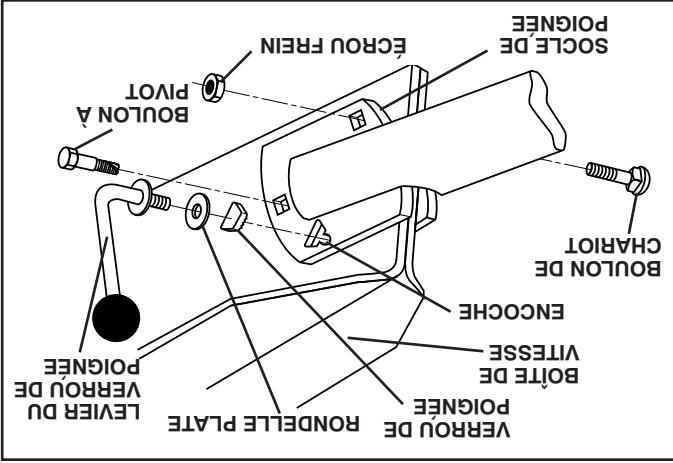


Fig. 5

MONTAGE

Votre nouvelle motobineuse a été montée à l'usine sans certaines pièces en vue de l'expédition. Pour s'assurer d'une utilisation correcte et sûre de votre motobineuse, toutes les pièces et ferrures qui vous assemblent doivent être serrées à fond. Utilisez les bons outils.

LES OUTILS EXIGES POUR LE MONTAGE

Un jeu des clés à douille facilitera l'assemblage. Les dimensions normales des clés sont indiquées:

(1) Couteau à tout usage

(1) Manomètre à pneu

(1) Pince

(1) Clé de 9/16"

POSITION D'OPERATEUR (Voir la Fig. 1)

Quand on utilise l'expression "droite" ou "gauche", l'utilisateur est en position derrière le guidon.

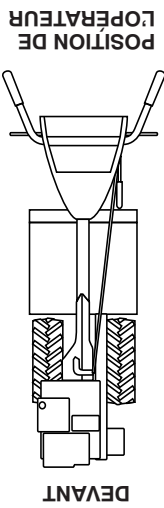


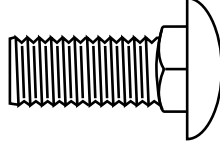
Fig. 1

CONTENU DU SAC DES PIÈCES

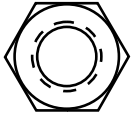
(2) Verron de poignées (argent)



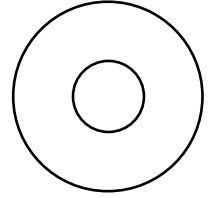
(1) Boulon de chariot 3/8-16 UNC x 1 Cat. 5



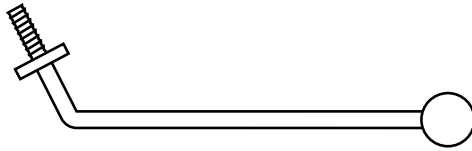
(1) Écrou frein 3/8-16 UNC



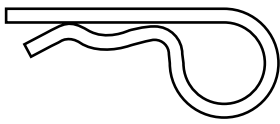
(1) Rondelle plate 13/32 x 1 x 11 Ja.



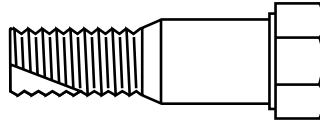
(1) Levier de verrou de poignée



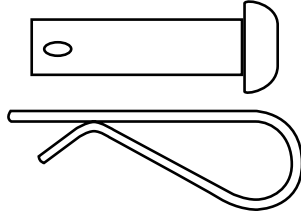
(1) Collier en épingle à cheveux



(1) Boulon à Pivots 3/8-16 UNC Cat. 5



Boulons des cisaillement & pince



SPÉCIFICATIONS DE PRODUIT

Capacité et le type	3 quarts (2,8L)
d'essence:	Lessence sans plomb normale
Type d'huile (API-SG/SL):	SAE 30 (supérieure de 32°F/0°C) SAE 5W30 (inférieure de 32°F/0°C)
(Capacité d'huile: 20oz. 0,6L)	Champion RC12YC (Ecart: 0,030 po/0,762 mm)

FÉLICITATIONS pour votre achat d'une motobineuse. Elle a été conçue, perfectionnée, et fabriquée pour assurer le bon fonctionnement et la sûreté maximum.

En cas d'un problème que vous ne pouvez pas résoudre, contactez le centre d'entretien autorisé le plus proche. Vous y trouverez les techniciens qualifiés et les outils appropriés pour l'entretien et la réparation de cette machine.

Veillez lire et conserver ce manuel. Les instructions qu'il contient vous permettront de monter, et d'entretenir correctement votre motobineuse. Observez toujours les "RÈGLES DE SÉCURITÉ".

RESPONSABILITÉS DU CLIENT

- Lisez et faites attention aux règles de sécurité.
 - Suivez un programme habituel d'entretien, de soin, et d'utilisation de la motobineuse.
 - Suivez les instructions dans les sections des Entretien et d'Entreposage de ce manuel du propriétaire.
- IMPORTANT:** CETTE MACHINE EST MUNI D'UN MOTEUR À COMBUSTION INTERNE ET NE DEVRAIT PAS ÊTRE UTILISÉE OU PRÈS D'UN TERRAIN COUVERT DES ARBRES, DES ARBRISSEAUX, OU DES HERBES SI LE SYSTÈME D'ÉCHAPPEMENT N'EST PAS MUNI D'UN PARE-ÉTINCELLES D'ÉCHAPPEMENT N'EST PAS MUNI D'UN PARE-ÉTINCELLES RENCONTRANT LES EXIGENCES DES LOIS LOCALES APPLICABLES. QUAND UN PARE-ÉTINCELLES EST UTILISÉ, IL DEVRAIT ÊTRE MAINTENU EN BON FONCTIONNEMENT PAR L'OPÉRATEUR.
- VOIR LE CENTRE D'ENTRETIEN AUTORISÉ LE PLUS PROCHE POUR LE PARE-ÉTINCELLES.

SOMMAIRE

RÈGLES DE SÉCURITÉ.....	2
RESPONSABILITÉS DU CLIENT.....	3
SPECIFICATIONS DE PRODUIT.....	3
MONTAGE.....	4-6
UTILISATION.....	7-10
CALENDRIER D'ENTRETIEN.....	11

ENTRETIEN.....	11-13
RÉVISION ET RÉGLAGES.....	14-17
ENTREPOSAGE.....	18
GUIDE DE DÉPANNAGE.....	19
GARANTIE.....	20



RÈGLES DE SÉCURITÉ

CONSEILS POUR L'UTILISATION EN TOUTE SÉCURITÉ DES MOTOBINEUSES



FORMATION:

- Lisez soigneusement ce manuel du propriétaire. Familiarisez-vous avec les commandes pour apprendre à utiliser efficacement votre motobineuse. Apprenez comment l'arrêter rapidement.
- N'autorisez jamais les enfants à utiliser votre motobineuse. Ne permettez pas que les adultes l'utilisent s'ils n'ont pas reçu les instructions nécessaires.
- Éloignez de la surface d'utilisation les animaux et les personnes et en particulier les petits enfants.

PRÉPARATION:

- Vérifiez systématiquement et soigneusement le terrain et enlevez tous les objets étrangers.
- Débrayez tous les embrayages et mettez la transmission en position point mort avant de démarrer le moteur.
- Habillez-vous avec des vêtements pratiques. Portez uniquement des chaussures solides ayant une bonne traction.
- Soyez particulièrement prudent lors de manipulation d'essence; elle est inflammable.
- Utilisez un récipient d'essence approuvé.
- N'ajoutez jamais d'essence quand le moteur fonctionne et laissez refroidir le moteur avant de remplir le réservoir.
- Remplissez le réservoir d'essence à l'extérieur. Ne remplissez jamais le réservoir à l'intérieur d'un bâtiment.
- Remettez le bouchon de réservoir d'essence et essuyez l'essence renversée avant de redémarrer le moteur.
- Utilisez les cordons prolongateurs et les prises femelle selon les spécifications du fabricant pour toute machine à moteur électrique (entraîné ou démarré par le moteur).
- Ne tentez jamais de faire des réglages quand le moteur fonctionne (saut quand un réglage est recommandé explicitement par le fabricant).

UTILISATION:

- Ne mettez pas les mains ou les pieds à proximité ou sous les parties mobiles.
- Faites attention lorsque vous traversez les allées, les chemins, les routes et toutes les surfaces couvertes de graviers. Ne transportez jamais des passagers.
- Si vous heurtez un objet étranger, arrêtez immédiatement le moteur. Débranchez le câble de bougie d'allumage et inspectez la motobineuse, puis réparez tous les dommages avant de redémarrer.
- Faites attention pour éviter de glisser ou tomber.
- N'utilisez pas votre motobineuse si elle vibre anormalement.
- Arrêtez le moteur, recherchez la cause des vibrations. Des vibrations excessives sont les manifestations d'un problème technique.
- Coupez le moteur quand vous quittez la position d'utilisation.
- Prenez toutes les précautions possibles quand vous laissez la motobineuse sans surveillance. Dégagez les fraises, mettez le levier de changement de vitesse à la position point mort, et coupez le moteur.
- Avant de nettoyer, d'inspecter, ou de réparer votre motobineuse, coupez le moteur et assurez-vous que toutes les parties mobiles soient arrêtées. Ensuite, débranchez le câble de bougie d'allumage et maintenez-le au loin de la bougie pour éviter le démarrage accidentel du moteur. Débranchez le cordon d'alimentation sur les moteurs électriques.
- Ne démarrez pas le moteur à l'intérieur d'un bâtiment. Les gaz d'échappement sont dangereux.
- N'utilisez jamais votre motobineuse sans les déflecteurs, les plaques de protection, ou les autres dispositifs de sécurité en place.

- Éloignez les enfants et les animaux domestiques.
- Ne labourez pas trop profondément à grande vitesse. Vous surchargerez la capacité productive de la motobineuse.
- Ne laissez jamais la motobineuse à grande vitesse quand la surface est glissante. Regardez en arrière et soyez prudent en reculant.
- Ne laissez personne près de la motobineuse lorsque vous l'utilisez.
- N'utilisez pas les accessoires qui ne sont pas recommandés par le fabricant.
- Utilisez la motobineuse seulement avec la lumière naturelle ou artificielle suffisante.
- Faites attention quand vous labourez de la terre dure. Les fraises peuvent s'accrocher dans la terre et pousser la motobineuse en avant. Dans ce cas, relâchez les poignées et ne retenez pas la machine.

ENTRETIEN ET ENTREPOSAGE:

- Conservez la motobineuse et les accessoires en bon fonctionnement.
- Vérifiez fréquemment que tous les boulons de cisaillement, les boulons de montage de moteur, et les autres boulons sont correctement serrés.
- N'entreposez jamais à l'intérieur d'un bâtiment une motobineuse avec de l'essence dans le réservoir. Les vapeurs d'essence en provenance du réservoir peuvent s'enflammer au contact d'une flamme nue ou des appareils tels que chauffe-eau, radiateurs etc. Laissez refroidir le moteur avant de l'entreposer.
- Consultez toujours le manuel du propriétaire pour les directives importantes quand la motobineuse doit être entreposée longtemps.

- IMPORTANT -

ATTENTION, IMPORTANT, ET REMARQUE SONT UN MOYEN D'ATTIRER VOTRE ATTENTION SUR DE L'INFORMATION IMPORTANTE DANS CE MANUEL.

IMPORTANT: CE SYMBOLE ATTIRE VOTRE ATTENTION SUR LES RISQUES DE DOMMAGES À L'ÉQUIPEMENT

REMARQUE: CE MOT ATTIRE VOTRE ATTENTION SUR LA COMPRÉHENSION, L'INTÉGRATION OU L'EXECUTION D'INSTRUCTIONS.



Ce symbole signale les points importants en matière de sécurité. Il signifie - ATTENTION !!!, SOYEZ PRUDENT !!! VOTRE SÉCURITÉ EST EN JEU.

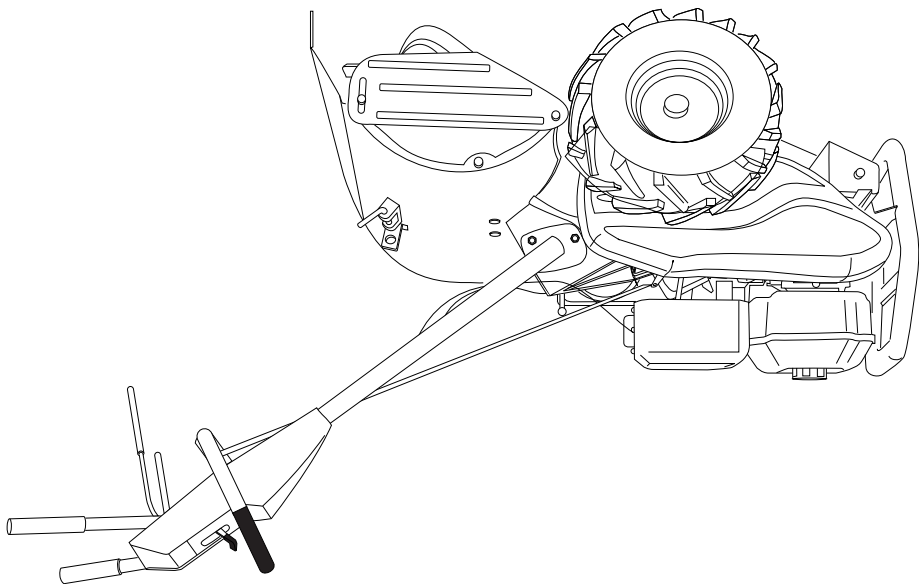


ATTENTION: Débranchez toujours le fil de bougie d'allumage et pour prévenir les démarrages accidentels, posez-le de telle façon qu'il ne puisse pas entrer en contact avec la bougie d'allumage lors de l'installation, du transport, des ajustements ou des réparations.



Il est connu par l'état de Californie que les gaz d'échappement du moteur de ce produit contiennent des produits chimiques lesquels, dans certaines quantités, peuvent causer du cancer, de l'infirmité de naissance, et d'autre endommagement du système reproducteur.

Poulan PRO



MANUEL DU PROPRIÉTAIRE


MODÈLE:

PRRT900

MOTOBINEUSE

Portez toujours des lunettes de sécurité lors de l'utilisation.

Visitez notre site web: www.poulan-pro.com

AVERTISSEMENT:  Lisez soigneusement le manuel suivez tous les avertissements et les instructions de sécurité. Les blessures sérieuses peuvent en résulter si vous ne lisez pas ces avertissements et instructions de sécurité.