

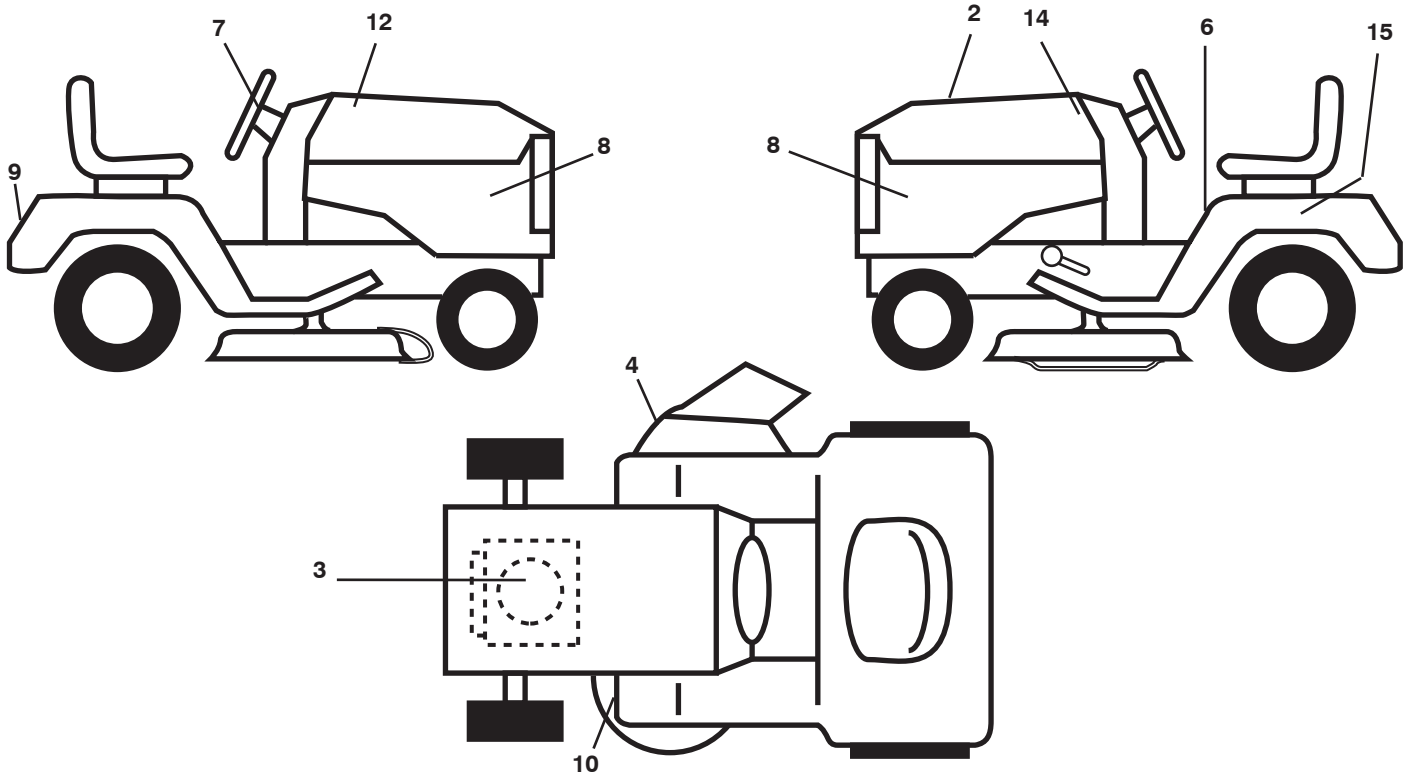
# **ILLUSTRATED PARTS LIST**

**MFG ID NO. 96012008600**

**CUSTOMER CATALOG NO. PO175H42LT**

**PRODUCT NO. 960 12 00-86**

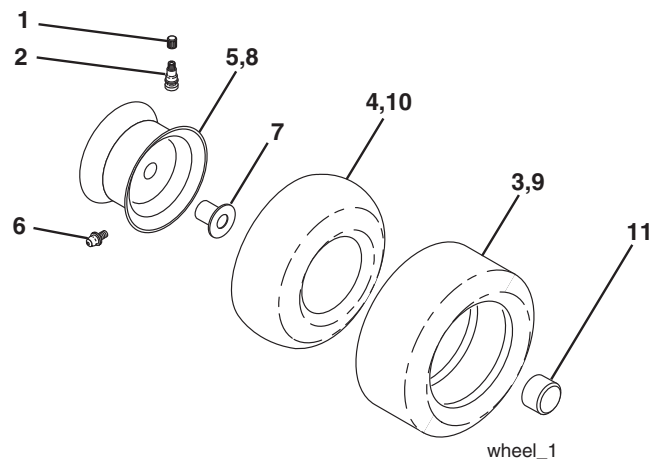
**TRACTOR - - MODEL NUMBER PO175H42LT (96012008600), PRODUCT NO. 960 12 00-86  
DECALS**



KEY NO.	PART NO.	DESCRIPTION
2	197068	Decal, Replacement
3	408819	Decal, Engine HP
4	170563	Decal, Warning
6	411658	Decal, Fender Danger English/French
7	189705	Decal, Ins Str Wh
8	189710	Decal, Side Panel
9	158166	Decal, Fender
10	160396	Decal, V-Belt Sch.

KEY NO.	PART NO.	DESCRIPTION
12	194543	Decal, Hood RH
14	194544	Decal, Hood LH
15	145005	Decal, Caution, Battery
--	138311	Decal, Handle Lft Height Adj.
--	166960	Decal Bypass
--	419450	Manual, Operator's (E&F)
--	419451	Manual, Parts (E&F)

**WHEELS & TIRES**

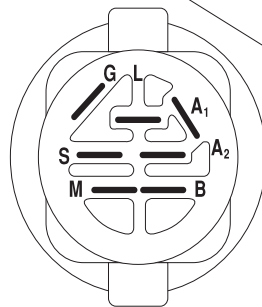
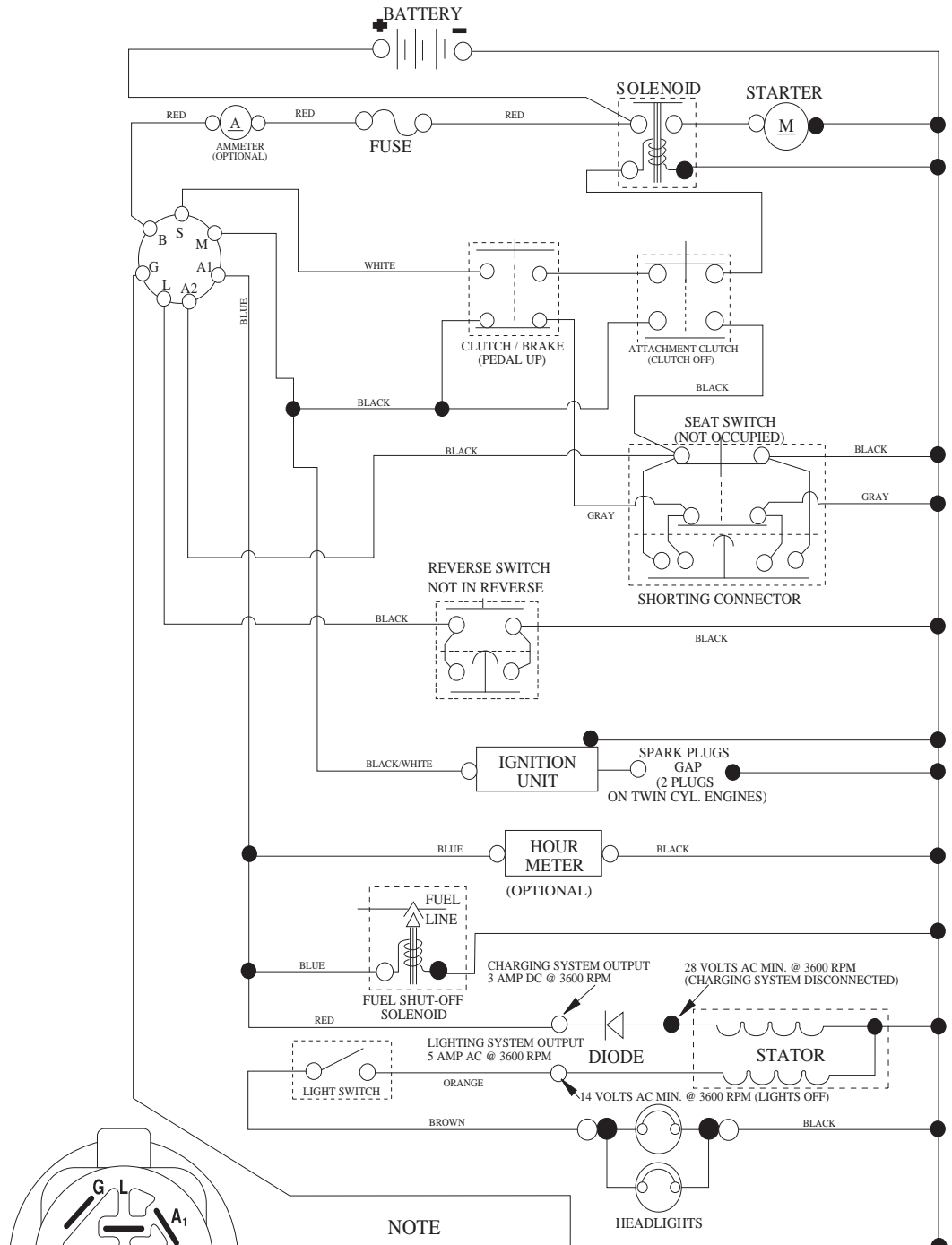


KEY NO.	PART NO.	DESCRIPTION
1	59192	Cap, Tire valve
2	65139	Stem, Valve
3	124157X	Tire, Front
4	59904	Tube, Front (Service item only)
5	106732X624	Rim assembly, 6" Front
6	278H	Fitting, Grease (Front wheel only)
7	9040H	Bearing, Flange (Front wheel only)
8	106108X624	Rim assembly, 8" Rear
9	123976X	Tire, Rear
10	7152J	Tube, Rear (Service item only)
11	104757X428	Cap, Hub Axle
--	144334	Sealant, Tire (10 oz. Tube)

**NOTE:** All component dimensions given in U.S. inches  
1 inch = 25.4 mm

# TRACTOR - - MODEL NUMBER PO175H42LT (96012008600), PRODUCT NO. 960 12 00-86 SCHEMATIC

SCH03



IGNITION SWITCH

POSITION	CIRCUIT "MAKE"
OFF	M+G+A1
RUN/OVERRIDE	B+A1
RUN	B+A1 L+A2
START	B + S + A1

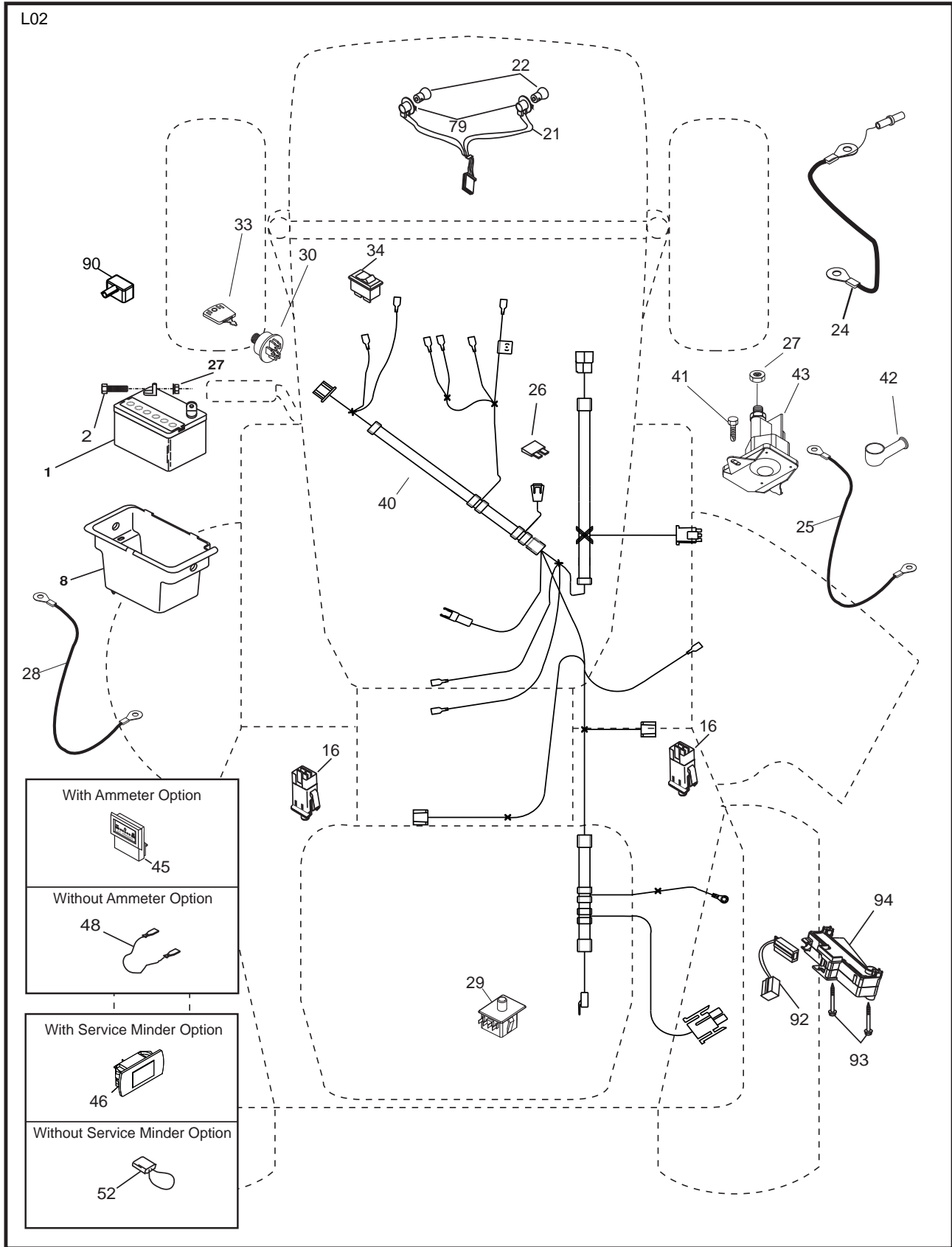
**NOTE**

YOUR TRACTOR IS EQUIPPED WITH A SPECIAL ALTERNATOR SYSTEM. THE LIGHTS ARE NOT CONNECTED TO THE BATTERY, BUT HAVE THEIR OWN ELECTRICAL SOURCE. BECAUSE OF THIS, THE BRIGHTNESS OF THE LIGHTS WILL CHANGE WITH ENGINE SPEED. AT IDLE THE LIGHTS WILL DIM. AS THE ENGINE IS SPEEDED UP, THE LIGHTS WILL BECOME THEIR BRIGHTEST.



WIRING INSULATED CLIPS  
NOTE: IF WIRING INSULATED CLIPS WERE REMOVED FOR SERVICING OF UNIT, THEY SHOULD BE RE-INSTALLED TO PROPERLY SECURE YOUR WIRING.

**TRACTOR - - MODEL NUMBER PO175H42LT (96012008600), PRODUCT NO. 960 12 00-86  
ELECTRICAL**

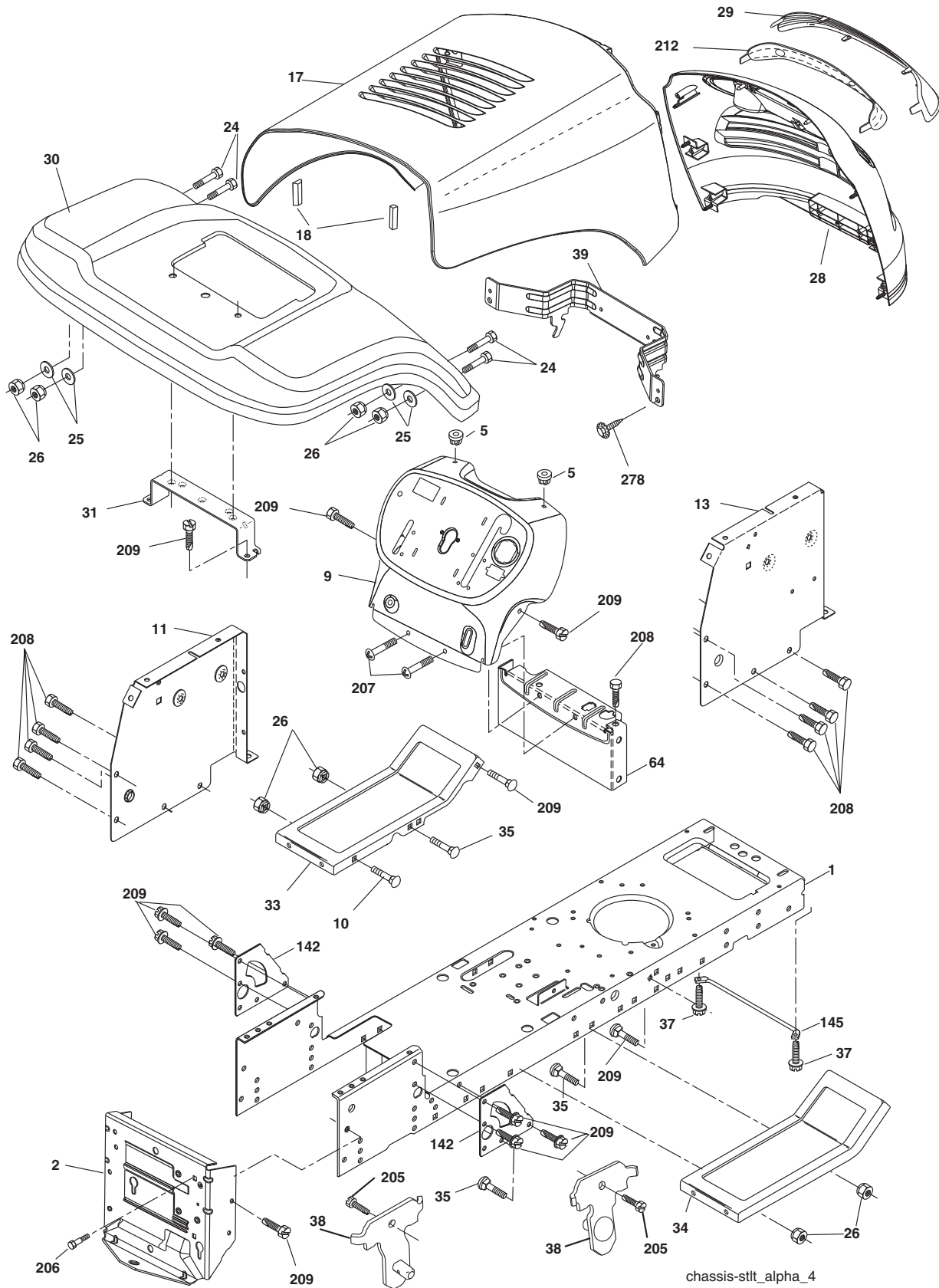


**TRACTOR - - MODEL NUMBER PO175H42LT (96012008600), PRODUCT NO. 960 12 00-86  
ELECTRICAL**

<b>KEY NO.</b>	<b>PART NO.</b>	<b>DESCRIPTION</b>
1	163465	Battery
2	74760412	Bolt Hex Hd 1/4-20 unc x 3/4
8	176689	Box Battery
16	176138	Switch Interlock
21	175688	Harness Asm Light w/4152j
22	4152J	Bulb Light #1156
24	4799J	Cable Battery 6 Ga. 11" Red
25	146147	Cable Battery
26	175158	Fuse 20 AMP
27	73510400	Nut Keps Hex 1/4-20 unc
28	4207J	Cable Ground 6 Ga. 12" Black
29	192749	Switch Seat
30	193350	Switch Ign
33	411935	Key/Chain
34	110712X	Switch Light/Reset
40	197428	Harness Ign
41	71110408	Bolt Blk Fin Hex 1/4-20
42	131563	Cover Terminal Red
43	192507	Solenoid
48	140844	Adapter Ammeter
52	141940	Protection Wire Loop
79	175242	Socket Asm. Bulb Twistlock
90	180449	Cover Terminal Battery
92	196615	Harness Pigtail
93	192540	Screw Plastite 10-14 x 2.0
94	191834	Module Reverse ROS

**NOTE:** All component dimensions given in U. S. inches  
1 inch = 25.4 mm.

TRACTOR--MODEL NUMBER PO175H42LT (96012008600), PRODUCT NO.960 12 00-86 CHASSIS



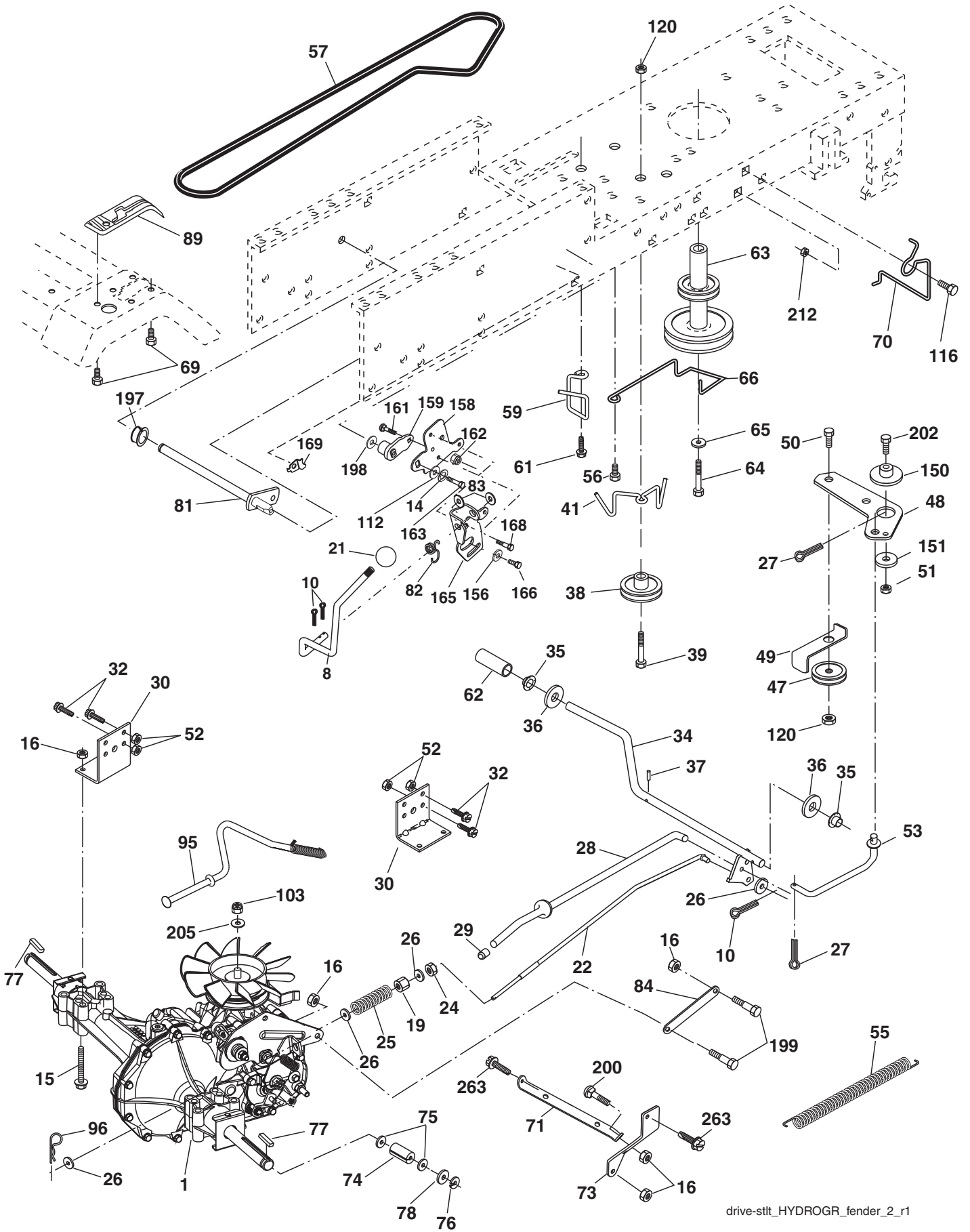
chassis-stlt\_alpha\_4

**TRACTOR - - MODEL NUMBER PO175H42LT (96012008600), PRODUCT NO. 960 12 00-86  
CHASSIS**

<b>KEY NO.</b>	<b>PART NO.</b>	<b>DESCRIPTION</b>
1	174619	Chassis
2	176554	Drawbar, Stretch
5	155272	Bumper, Hood/Dash
9	193510X010	Dash
10	72140608	Bolt, Carriage 3/8-16 x 1
11	174996	Panel Dash LH
13	172105X010	Panel Silscr Dash RH
17	187559X428	Hood
18	184921	Bumper Hood
24	74780616	Bolt Fin Hex 3/8-16 unc x 1 Gr. 5
25	19131312	Washer 13/32 x 13/16 x 12 Ga.
26	73800600	Nut Lock Hex w/Ins 3/8-16 unc
28	187598	Grille/Lens Asm. (Include Key Nos. 29 and 212)
29	187567X599	Lens Grille Bar
30	192526X428	Fender
31	136619	Bracket Fender Repl 109873X
33	179716X428	Footrest Pnt LH
34	179717X428	Footrest Pnt RH
35	72110606	Bolt Rdhd Sht Sqnk 3/8-16 x 3/4
37	17490508	Screw Thdrol 5/16-18 x 1/2 TYT
38	175710	Bracket Asm. Pivot Mower
39	187568	Bracket Pivot
64	154798	Dash Lower
142	175702	Plate Reinforcement
145	409167	Rod Pivot Chassis/Hood
205	17490608	Screw Thdrol 3/8-16 x 1/2
206	170165	Bolt Shoulder 5/16-18
207	17670508	Screw 5/16-18 x 1/2
208	17670608	Screw Thdrol 3/8-16 x 1/2
209	17000612	Screw Hex Wsh Thdrol 3/8-16
212	187569	Insert Lens Reflect
278	416358	Screw #10 X 0.750 BOS Thread
---	5479J	Plug Button Blk 359 Dia Choke
--	187801	Plug Dome Plastic

**NOTE:** All component dimensions given in U.S. inches  
1 inch = 25.4 mm.

TRACTOR - - MODEL NUMBER PO175H42LT (96012008600), PRODUCT NO. 960 12 00-86  
DRIVE



drive-stlt\_HYDROGR\_fender\_2\_r1

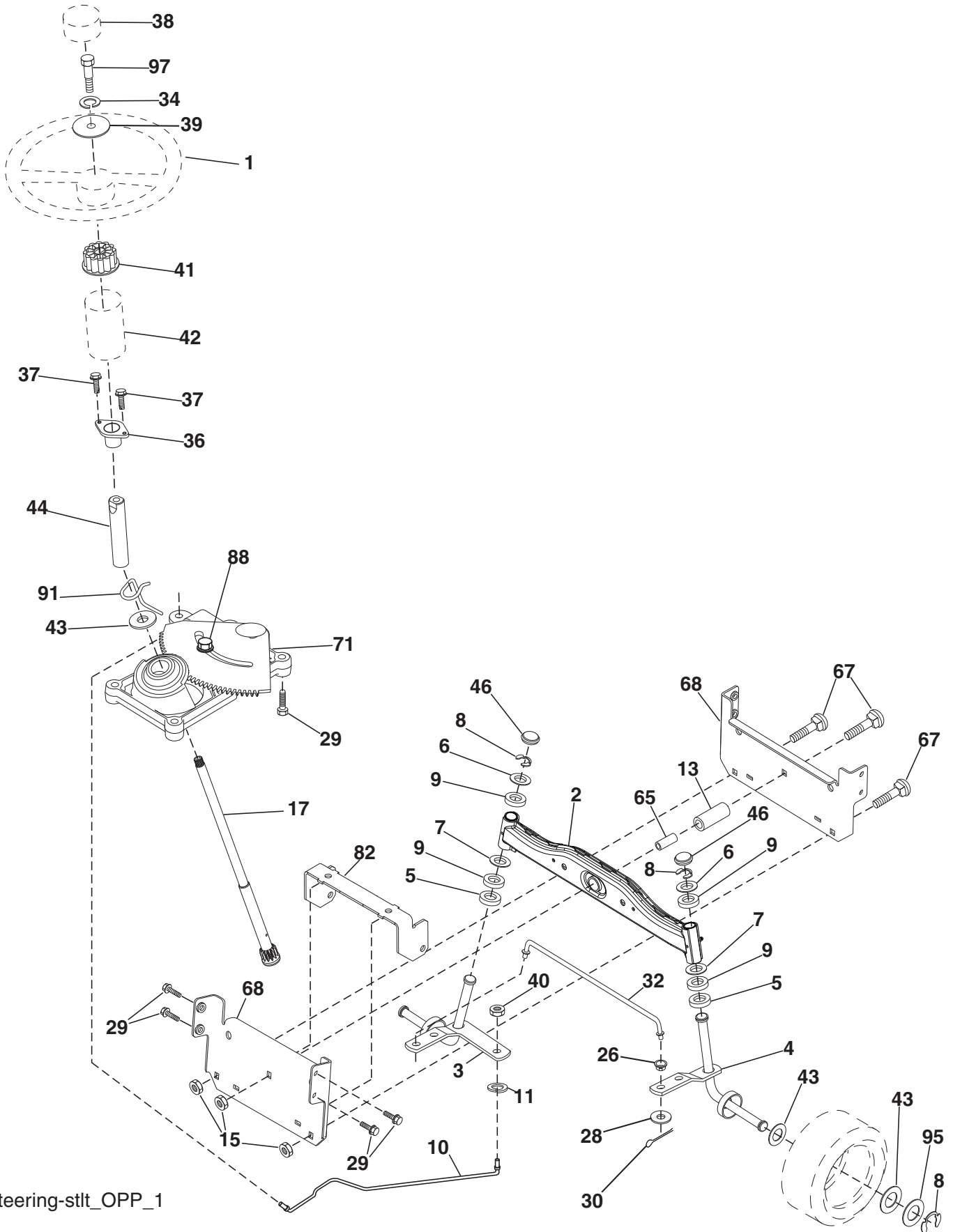


**TRACTOR - - MODEL NUMBER PO175H42LT (96012008600), PRODUCT NO. 960 12 00-86  
DRIVE**

KEY NO.	PART NO.	DESCRIPTION	KEY NO.	PART NO.	DESCRIPTION
1	-----	Transaxle Hydro Gear Model 322-0510 (Order parts from transaxle manufacturer)	70	134683	Guide Belt Mower Drive RH
8	192706	Rod Shift	71	169183	Strap Torque, LH
10	76020416	Pin Cotter 1/8 X 1	73	169182	Strap Torque, RH
14	10040400	Washer Lock 1/4	74	137057	Spacer Axle
15	74490544	Bolt Hex FLGHD 5/16-18 Gr. 5 unc	75	121749X	Washer 25/32 x 1 1/4 x 16 Ga.
16	73800500	Nut Lock Hex w/ins 5/16-18 unc	76	12000001	Ring, E
19	73800600	Nut Lock Hex w/wsh 3/8-16 unc	77	123583X	Key Square
21	140845	Knob	78	121748X	Washer 25/32 x 1-5/8 x 16 Ga.
22	169498	Rod Brake	81	165596	Shaft Asm Cross
24	73350600	Nut	82	165711	Spring Torsion
25	106888X	Spring Rod Brake	83	19171216	Washer 17/32 x 3/4 x 16 Ga.
26	19131316	Washer 13/32 x 13/16 x 16 Ga.	84	169843	Link Transaxle
27	76020412	Pin Cotter 1/8 x 3/4	89	192056X428	Console Shift
28	175765	Rod Brake Parking	95	170201	Control Asm Bypass Hydro
29	71673	Cap Brake Parking	96	4497H	Retainer Spring 1"
30	174973	Bracket Transmission	103	73940800	Nut, Hex Jam Top Lock 1/2-20 unf
32	74760512	Bolt Hex Hd 5/16-18 unc x 3/4	112	19091210	Washer 9/32 x 3/4 x 10 Ga.
34	175578	Shaft Foot Pedal	116	72140608	Bolt 3/8-16 x 1
35	120183X	Bearing Nylon	120	73900600	Bolt Hex 3/8-16 x 1-1/2
36	19211616	Washer	150	175456	Spacer Retainer
37	1572H	Pin Roll	151	19133210	Washer 13/32 x 2 x 10
38	179114	Pulley Idler Composite	156	166002	Washer 5/16 x 1.0 x 1.25
39	72110622	Bolt	158	165589	Bracket Shift Mount
41	175556	Keeper Belt Idler	159	183900	Hub Tapered Flange Shift
47	127783	Pulley Idler V-Belt	161	72140406	Bolt Rdhd Sqnk 1/4-20 x 3/4 Gr. 5
48	154407	Bellcrank Clutch Grnd Drustl	162	73680400	Nut Crownlock 1/4-20 unc
49	123205X	Retainer Belt	163	74780416	Bolt Hex Fin 1/4-20 x 1
50	72110612	Bolt Carr. Sh. 3/8-16 x 1-1/2 Gr. 5	165	165623	Bracket Pivot Lever
51	73680600	Nut	166	17490510	Screw 5/16-18 x 1.0 x .125
52	73680500	Nut Crownlock 5/16-28	168	165492	Bolt Shoulder 5/16-18 x .561
53	199652	Link Clutch	169	165580	Plate Fastening
55	105709X	Spring Return Clutch	197	169613	Nyliner Snap-In 5/8
56	17060620	Screw 3/8-16 x 1-1/4	198	169593	Washer Nyliner 7/8 ID x .105 HYD
57	140294	V-Belt Drive	199	169612	Bolt Shoulder 5/16-18 unc
59	169691	Keeper Belt Center	200	72140508	Bolt Rdhd Sqnk 5/16-18 unc x 1
61	17120614	Screw 3/8-16 x .875	202	72110614	Bolt RdHd 3/8-16 unc x 1-1/2 Gr. 5
62	8883R	Cover Pedal	205	19171616	Washer 17/32 x 1 x 16 Ga.
63	175410	Engine Pulley	212	145212	Nut Hex flange Lock
64	173937	Bolt Hex 7/16-20 x 4 x Gr. 5-1.5	263	17000612	Screw 3/8-16 x .75
65	10040700	Washer			
66	154778	Keeper Belt Engine Hydro			
69	142432	Screw Hex wsh HiLo 1/4 x 1/2 unc			

**NOTE:** All component dimensions given in U.S. inches  
1 inch = 25.4 mm.

TRACTOR - - MODEL NUMBER PO175H42LT (96012008600), PRODUCT NO. 960 12 00-86  
STEERING



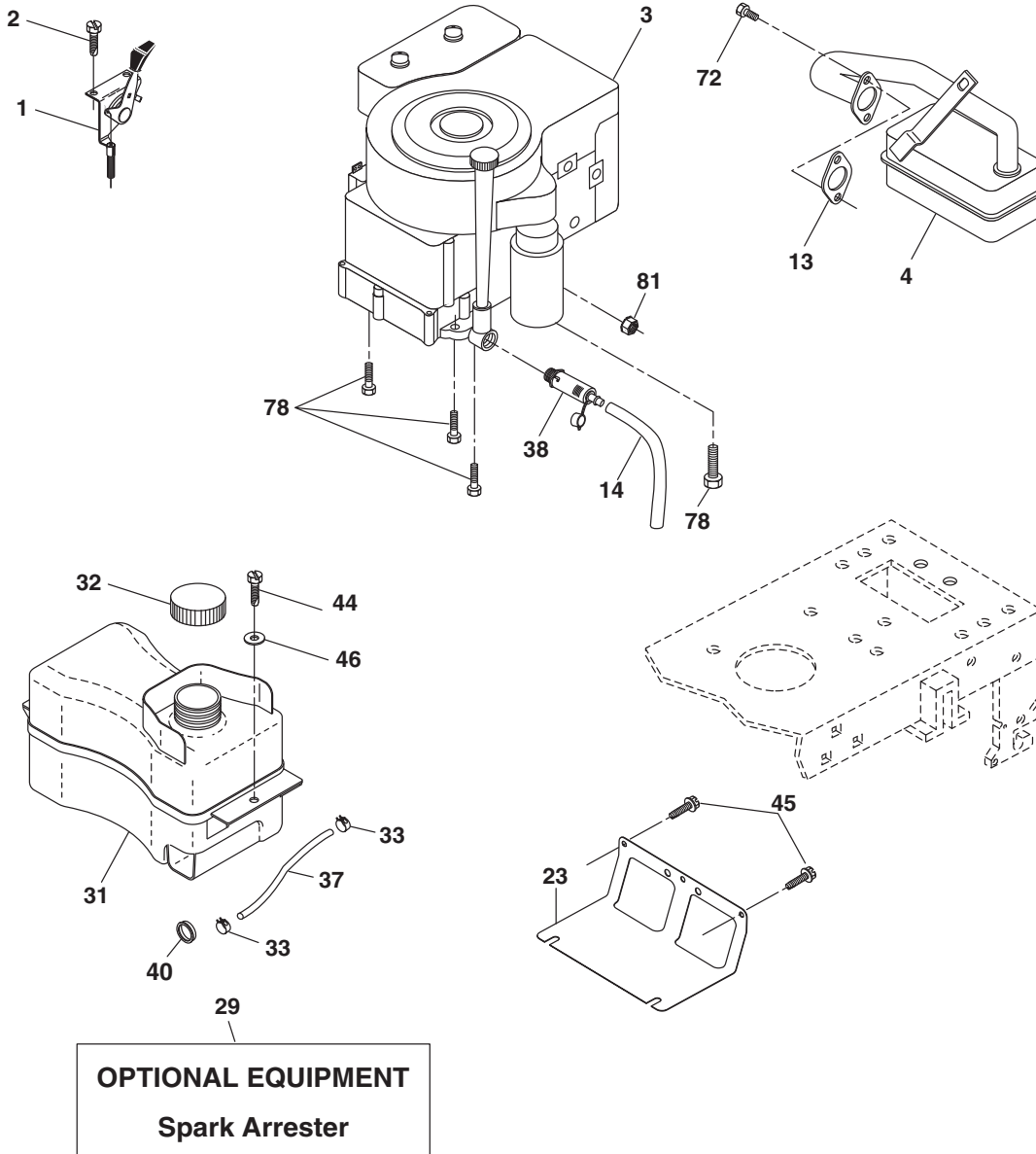
Steering-stlt OPP\_1

**TRACTOR - - MODEL NUMBER PO175H42LT (96012008600), PRODUCT NO. 960 12 00-86  
STEERING**

<b>KEY NO.</b>	<b>PART NO.</b>	<b>DESCRIPTION</b>
1	186780	Wheel Steering
2	418168	Axle Asm
3	169840	Spindle Asm LH
4	169839	Spindle Asm RH
5	6266H	Bearing Race Thrust Harden
6	121748X	Washer 25/32 x 1-5/8 x 16 Ga.
7	19272016	Washer 27/32 x 1-1/4 x 16 Ga.
8	12000029	Ring Klip #t5304-75
9	3366R	Bearing Col Strg Blk
10	175121	Link Drag
11	10040600	Washer Lock Hvy Hlcl Spr 3/8
13	136518	Spacer Bearing Axle Front
15	145212	Hexflange Lock
17	411386	Shaft Asm Strg
26	126847X	Bushing Link Drag Blk LR
28	19131416	Washer 13/32 x 7/8 x 16 Ga.
29	17000612	Screw 3/8-16 x 3/4
30	76020412	Pin Cotter 1/8 x 3/4 Cad
32	192757	Rod Tie Wire Form 19 75 Mech
34	10040500	Washer Lock 5/16
36	155099	Bushing Strg 5/8 Id Dash
37	152927	Screw
38	192916	Cap Wheel Steer
39	19113812	Washer 11/32 ID x 2 3/8 OD x 12 Ga.
40	73540600	Nut Crownlock 3/8-24
41	186737	Adaptor Wheel Strg
42	145054X428	Boot Dash Mtl Steering Blk
43	121749X	Washer 25/32 x 1 1/4 x 16 Ga.
44	190752	Extension Steering
46	121232X	Cap Spindle Fr Top Blk
65	414736	Spacer Brace Axle
67	72110618	Bolt RDHD SQNK 3/8-16 x 2-1/4
68	169827	Brace Axle
71	175146	Steering Asm.
82	199978	Bracket Susp Chassis Front
88	175118	Bolt Shoulder 7/16-20
91	175553	Clip Steering
95	188967	Washer Harden .793 x 1.637 x 060
97	74780564	Bolt 5/16-18 x 4 Gr. 5

**NOTE:** All component dimensions given in U.S. inches  
1 inch = 25.4 mm.

**TRACTOR - - MODEL NUMBER PO175H42LT (96012008600), PRODUCT NO. 960 12 00-86  
ENGINE**



engine-stlt\_bs\_9

# TRACTOR - - MODEL NUMBER PO175H42LT (96012008600), PRODUCT NO. 960 12 00-86 ENGINE

KEY NO.	PART NO.	DESCRIPTION
1	170551	Control Th/ch Flag
2	17720408	Screw Hex Thd Cut 1/4-20 x 1/2
3	-----	Engine, B&S 31C707 (Order parts from engine manufacturer)
4	137352	Muffler Exhaust B&S
13	165291	Gasket Eng 1 313 Id Tin Plated
14	148456	Tube Drain Oil Easy
23	169837	Shield BRN/DBR Guard
29	137180	Kit Spark Arrester (Flat Scrn)
31	407516	Tank Fuel Front
32	197725	Cap Asm Fuel
33	123487X	Clamp Hose
37	401137	Line Fuel 20"
38	181654	Plug Drain Oil

KEY NO.	PART NO.	DESCRIPTION
40	124028X	Bushing Snap Nyl Blk Fuel Line
44	17670412	Screw Thdrol 1/4-20 x 3/4
45	17000612	Screw Hex Wsh Thdrol 3/8-16
46	19091416	Washer 9/32 x 7/8 x 16 Ga.
72	192334	Screw Socket Head 5/16-18 x 3/4
78	17060620	Screw 3/8-16 x 1-1/4
81	73510400	Nut Keps Hex 1/4-20 unc

**NOTE:** All component dimensions given in U.S. inches  
1 inch = 25.4 mm

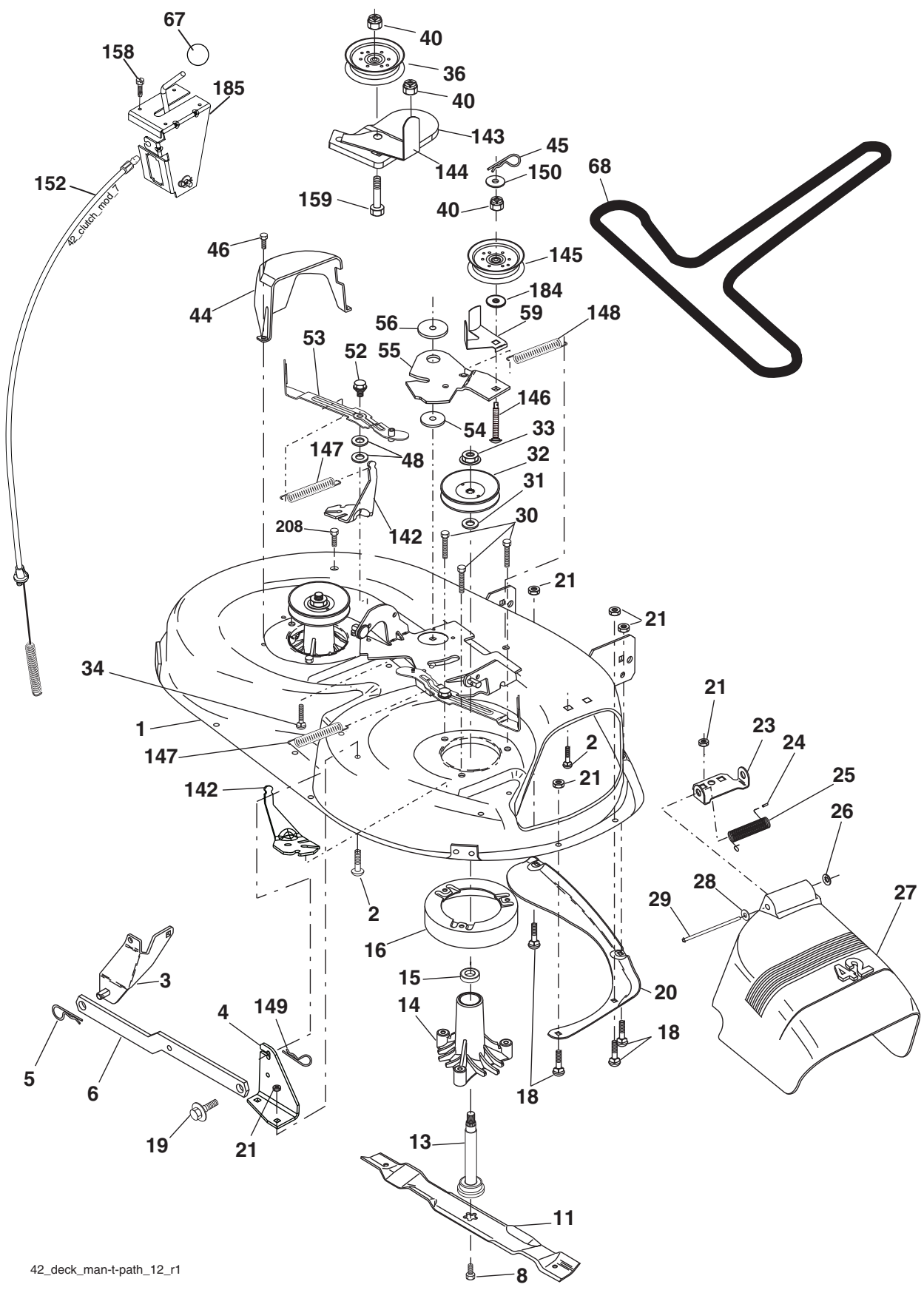
For engine service and replacement parts, call the toll free number for your engine manufacturer listed below:

Briggs & Stratton                      1-800-233-3723

## Engine Power Rating Information

The gross power rating for individual gas engine models is labeled in accordance with SAE (Society of Automotive Engineers) code J11940 (Small Engine Power & Torque Rating Procedure), and rating performance has been obtained and corrected in accordance with SAE J1995 (Revision 2002-5). Actual gross engine power will be lower and is affected by, among other things, ambient operating conditions and engine-to-engine variability. Given both the wide array of products on which engines are placed and the variety of environmental issues applicable to operating the equipment, the gas engine will not develop the rated gross power when used in a given piece of power equipment (actual "on-site" or net horsepower). This difference is due to a variety of factors including, but not limited to, accessories (air cleaner, exhaust, charging, cooling, carburetor, fuel pump, etc.), application limitations, ambient operating conditions (temperature, humidity, altitude), and engine-to-engine variability. Due to manufacturing and capacity limitations, Briggs & Stratton may substitute an engine of higher rated power for this Series engine.

TRACTOR - - MODEL NUMBER PO175H42LT (96012008600), PRODUCT NO. 960 12 00-86  
MOWER DECK



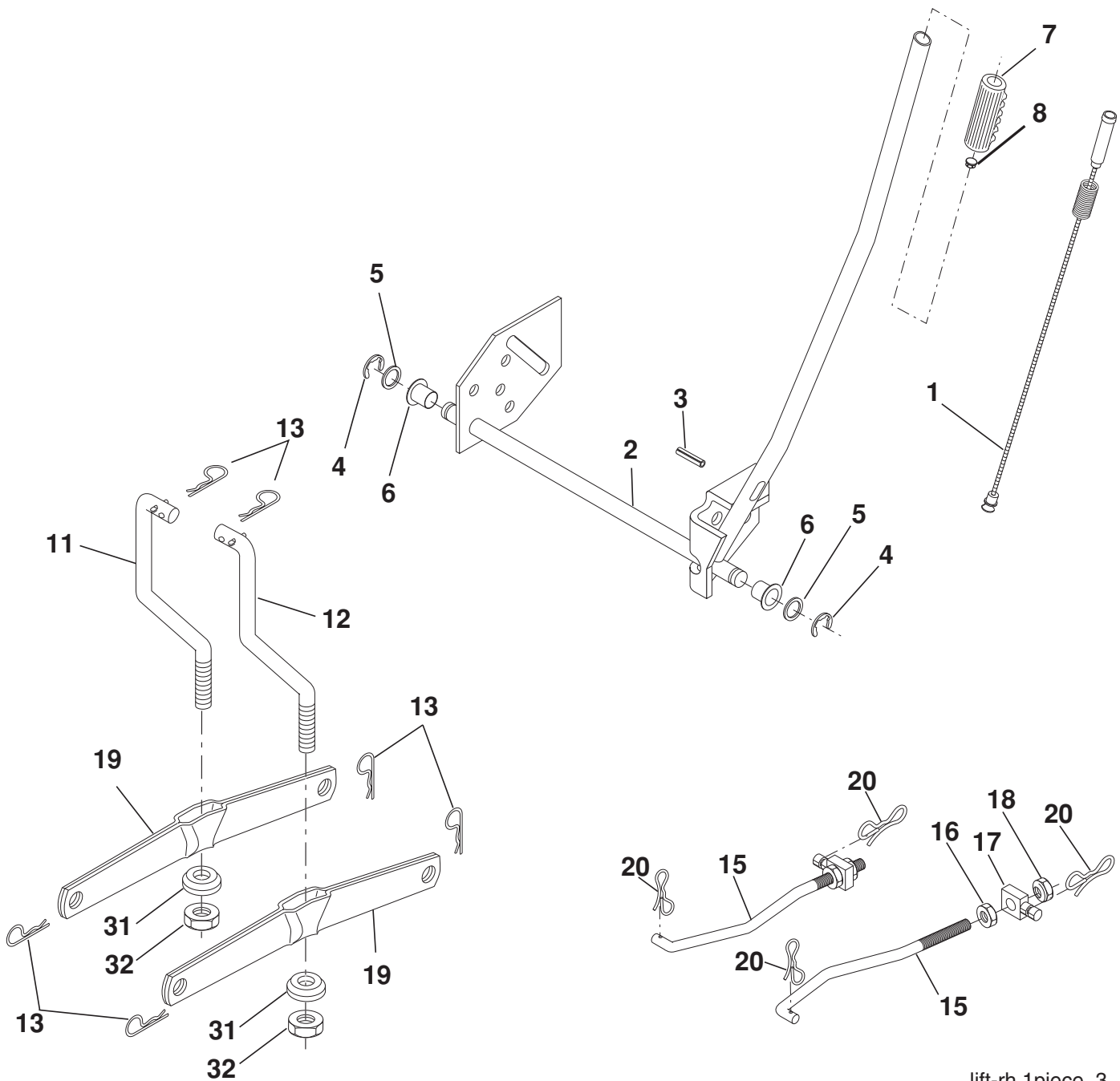
42\_deck\_man-t-path\_12\_r1

**TRACTOR - - MODEL NUMBER PO175H42LT (96012008600), PRODUCT NO. 960 12 00-86  
MOWER DECK**

KEY NO.	PART NO.	DESCRIPTION	KEY NO.	PART NO.	DESCRIPTION
1	165892	Mower Deck Assembly, 42"	44	140088	Guard, Mandrel, LH
2	72140506	Bolt	45	4497H	Retainer
3	138017	Bracket Asm Fr. Sway Bar 3/42	46	137729	Screw, Thdrol 1/4-20 x 5/8 T
4	165460	Bracket Asm Deck 42" Sway Bar	48	133944	Washer, Hardened
5	4939M	Retainer Spring	52	139888	Bolt, Shoulder 5/16-18 unc
6	178024	Bar Sway Deck	53	184907	Arm Assembly, Pad, Brake
8	193003	Bolt/Washer Asm. 7/16-20 unf (The following Blades are available)	54	178515	Washer, Hardened
11	138971	Blade Mower 42" Hi-Lift (for bagging and discharging)	55	155046	Arm, Idler
--	134149	Blade, Mulching 42" Std (for mulch- ing mowers only)	56	165723	Spacer, Retainer
--	139775	Blade Mulching 42" Premium (For better wear when mulching)	59	141043	Guard TUV Idler
13	192872	Shaft Asm. MNDRL	67	106932X	Knob Round
14	187281	Housing, Mandrel, Vented	68	144959	V-Belt, 42" Mower
15	110485X	Bearing, Ball, Mandrel	142	195784	Arm Spring Brake Mower
16	174493	Stripper, Mandrel Deck	143	157109	Bracket Arm Idler 42"
18	72140505	Bolt, Carriage 5/16-18 x 5/8	144	158634	Keeper Belt 42" Clutch Cable
19	132827	Bolt, Shoulder	145	165888	Pulley Idler Flat
20	159770	Baffle, Vortex	146	171977	Bolt Carriage Idler
21	73680500	Nut	147	131335	Spring Extension
23	177563	Bracket, Deflector Mower 42"	148	169022	Spring Return Idler
24	105304X	Cap, Sleeve 80 x 112 Blk Mower	149	165898	Retainer Spring Yellow
25	123713X	Spring, Torsion, Deflector 2 52	150	19091210	Washer 9/32 x 3/4 x 10 Ga.
26	110452X	Nut, Push Phos & Oil	152	169676	Clutch Cable 42"
27	130968X428	Shield, Deflector 42" Blk	158	17720408	Screw Hex Thd Cut 1/4-20 x 1/2
28	19111016	Washer 11/32 x 5/8 x 16 Ga.	159	72140614	Bolt Rdhd Sqn 3/8-16 unc x 1-3/4
29	131491	Rod, Hinge 42" 6 75 W/G	184	19131410	Washer 13/32 x 7/8 x 10 Ga.
30	173984	Screw Thdrol	185	188234	Head Asm Cable Clutch
31	187690	Washer, Spacer Mower Vented	208	<b>17670608</b>	Screw THDROL 3/8-16 x 1/2
32	153535	Pulley, Mandrel	--	192870	Mandrel Assembly (Includes housing, shaft assembly, and bearing only - pulley/nut/washer and blade bolt/ washers not included)
33	400234	Nut, Toplock	--	418031	Replacement Mower, Complete
34	72110612	Bolt Carr SH 3/8-16 x 1-1/2 Gr. 5			
36	131494	Pulley, Idler, Flat			
40	73900600	Nut Lock 3/8-16			

**NOTE:** All component dimensions given in U.S. inches  
1 inch = 25.4 mm

**TRACTOR - - MODEL NUMBER PO175H42LT (96012008600), PRODUCT NO. 960 12 00-86  
MOWER LIFT**



lift-rh.1piece\_3

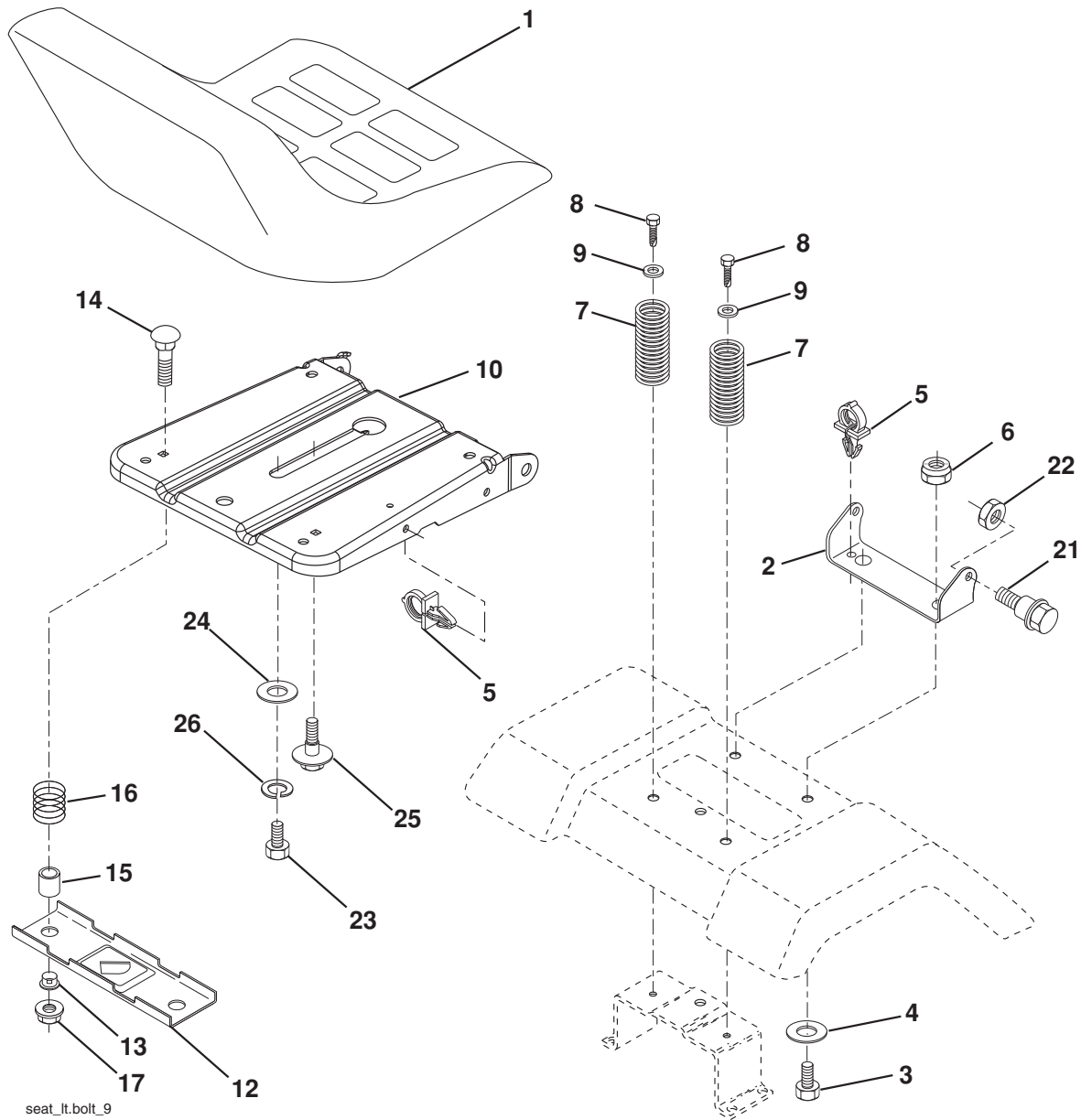
KEY NO.	PART NO.	DESCRIPTION
1	159460	Wire Asm Inner/Sprg w/plunger
2	159471	Shaft Asm Lift RH
3	105767X	Pin Groove 1 500 Zinc
4	12000002	E Ring #5133-62
5	19211621	Washer 21/32 x 1 x 21 Ga.
6	120183X	Bearing Nylon Blk 629 Id
7	125631X	Grip Handle
8	124526X	Button Plunger Black
11	139865	Link Lift LH Fixed Length
12	139866	Link Lift RH Fixed Length
13	4939M	Retainer Spring

KEY NO.	PART NO.	DESCRIPTION
15	173288	Link Front
16	73350800	Nut Jam Hex 1/2-13 unc
17	175689	Trunnion
18	73800800	Nut Lockw/Wsh 1/2-13 unc
19	139868	Arm Suspension Rear
20	194209	Pin Cotter 7/16 Bow Tie Lock
31	169865	Bearing Pvt Lift
32	73540600	Nut Crownlock 3/8-24

**NOTE:** All component dimensions given in U.S. inches  
1 inch = 25.4 mm.



**TRACTOR - - MODEL NUMBER PO175H42LT (96012008600), PRODUCT NO. 960 12 00-86 SEAT**



KEY NO.	PART NO.	DESCRIPTION
1	401042	Seat
2	140551	Bracket Seat Pivot
3	71110616	Bolt Hex 3/8 - 16 x 1
4	19131610	Washer 13/32 x 1 x10 Ga.
5	145006	Clip Push-In Hinged
6	73800600	Nut Lock Hex w/Ins 3/8 - 16
7	124181X	Spring Seat Cprsn 2 250 Blk Zi
8	17000616	Screw 3/8-16 x 1.5
9	19131614	Washer 13/32 x 1 x 14 Ga.
10	195530	Pan Pnt Seat
12	174648	Bracket Pnt Mounting Switch
13	121248X	Bushing Snap Blk Nyl

KEY NO.	PART NO.	DESCRIPTION
14	72050412	Bolt Rdhd Sht Nk 1/4 - 20 x 1 -1/2
15	134300	Spacer Split .28 x .96
16	121250X	Spring Cprsn
17	123976X	Nut Lock 1/4 Lge Flg
21	171852	Bolt Shoulder 5/16-18 unc-2A
22	73800500	Nut Lock Hex w/Ins 5/16 - 18
23	71110814	Bolt Hex
24	19171912	Washer 17/32 x 1-3/16 x 12 Ga.
25	127018X	Bolt Shoulder 5/16-18 x .62
26	10040800	Washer Lock Hvy Hlcl Spr 1/2

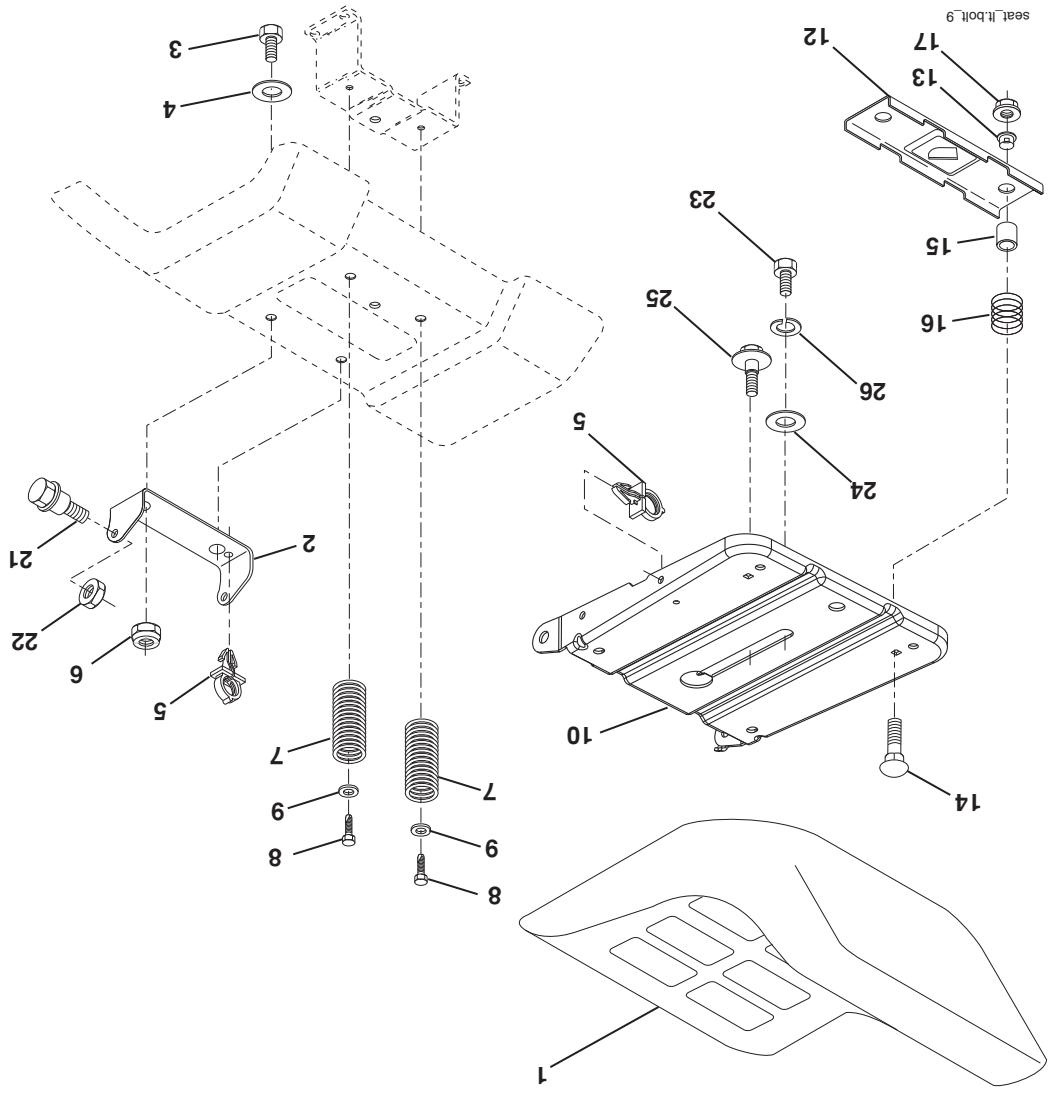
**NOTE:** All component dimensions given in U.S. inches  
1 inch = 25.4 mm.





TRACTEUR - - NO. DE MODÈLE PO175H42LT (96012008600), NO. DE PRODUIT 960 12 00-86

ENSEMBLE DU SIÈGE

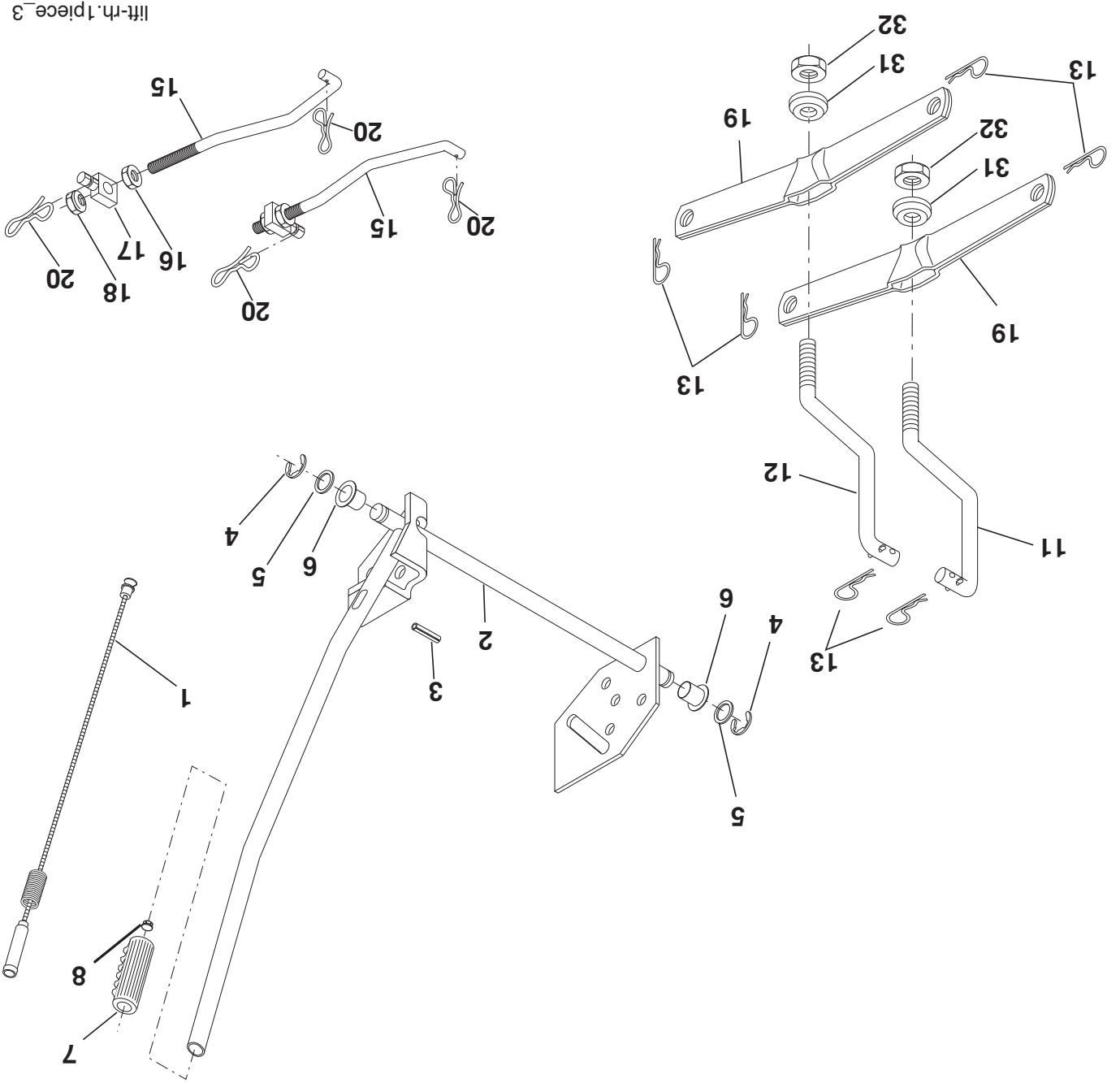


NO. DE PIÈCE	DESCRIPTION
1	Siège
2	Support de pivot de siège
3	Boulon
4	Rondelle 13/32 x 3/4 x 10 Ja.
5	Collier pressé
6	Ecroû
7	Ressort de compression de siège
8	Vis 3/8-16 x 1,5
9	Rondelle 13/32 x 1 x 14 Ja.
10	Cuvette de siège
11	195530
12	174648
13	121248X

NO. DE PIÈCE	DESCRIPTION
14	2050412
15	134300
16	121250X
17	123976X
21	171852
22	73800500
23	71110814
24	19171912
25	1227018X
26	10040800

NO. DE PIÈCE	DESCRIPTION
14	2050412
15	134300
16	121250X
17	123976X
21	171852
22	73800500
23	71110814
24	19171912
25	1227018X
26	10040800

REMARQUE: Toutes les dimensions de composant sont données en pouces E.-U. -- 1 pouce = 25,4 mm.



liff-rh.1piece\_3

NO. NO.	DE	PIECE	DESCRIPTION
1	159460		Ensemble du fil intérieur du levier de levage
2	159471		Goupille cannelée
3	105767X		Ensemble de l'arbre de levage
4	12000002		Bague en E n°5133-62
5	19211621		Rondelle 21/32 x 1 x 21 Ja.
6	120183X		Pailier en Nylon
7	125631X		Poignée cannelée du levier
8	124526X		Bouton de plongeur
11	139865		Raccord de levage C.G.
12	139866		Raccord de levage C.D.
13	4939M		Ressort de retenue

NO. NO.	DE	PIECE	DESCRIPTION
15	173288		Raccord antérieur
16	73350800		Contre-écrou 1/2-13 unc
17	175689		Touillon
18	73800800		Écrou frein 1/2-13 unc
19	139868		Bras de suspension arrière
20	194209		Goupille fendue
31	169865		Pailier de pivot de levage
32	73540600		Écrou auto-serrant 3/8-24

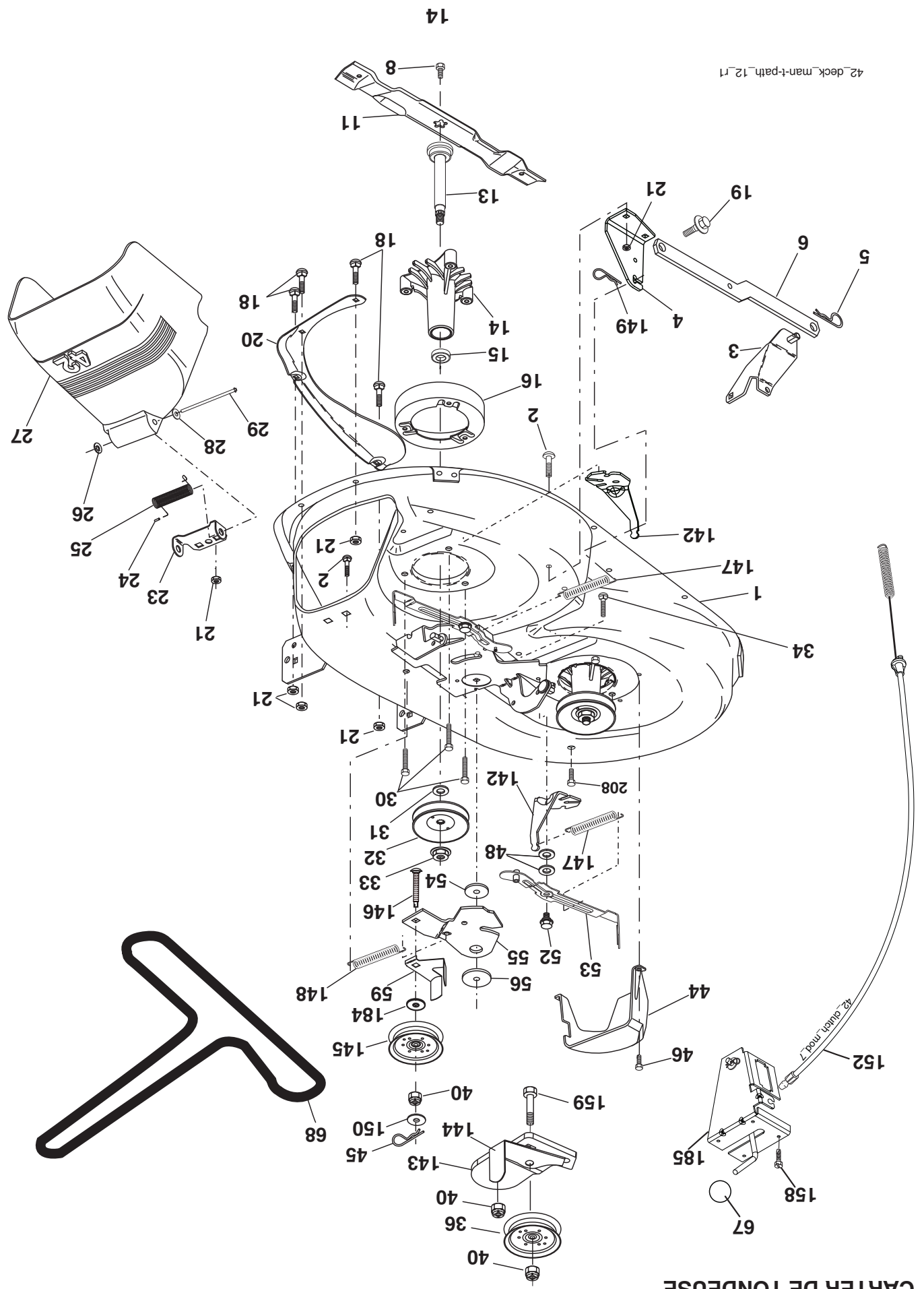
**REMARQUE:** Toutes les dimensions de composant sont données en pouces E.-U. - - 1 pouce = 25,4 mm.

TRACTEUR - - NO. DE MODÈLE PO175H42LT (96012008600), NO. DE PRODUIT 960 12 00-86  
CARTER DE TONDEUSE

NO. DÉ	PIECE	DESCRIPTION	NO. DÉ	PIECE	DESCRIPTION
1	165892	Ensemble de carter de tondeuse 42"	33	400234	Écrou frein
2	72140506	Boulon	34	72110612	Boulon 3/8-16 x 1-1/2 Cat. 5
3	138017	Ensemble du support de barre de non	36	131494	Pouille de galet-tendeur plat
4	165460	Ensemble du support de barre de non	40	73900600	Écrou frein 3/8-16
5	4939M	Ressort de retenue	44	140088	Protecteur de mandrin C.G.
6	178024	Barre de balancement	45	4497H	Arrêt
8	193003	Boulon/Rondelle Ensemble 7/16-20 unft	46	137729	Vis à filets laminés 1/4-20 x 5/8 T
11	138971	Lame de portance élevée 42"/107cm (Les lames suivantes sont disponibles)	48	133944	Rondelle durcie
--	134149	Hi-Lift (pour mettre en sac ou déverser)	52	139888	Boulon à épaulement 5/16-18 unc
--		Lame déchiqueteuse standard 42"	53	184907	Coussin de l'ensemble du levier de frein
--		/107cm(pour les tondeuses déchique-	54	178515	Rondelle durcie
--		teuse seulement)	55	155046	Bras de galet-tendeur
--	139775	Lame déchiqueteuse de qualité supéri-	56	165723	Entretroise de retenue
		meilleure résistance à l'usure lors du	59	141043	Protecteur du galet-tendeur TVV
		déchiquetage)	67	106932X	Bouton
		Ensemble de l'arbre	68	144959	Courroie trapézoïdale de tondeuse 42"
13	182821	Boîtier du mandrin éventé	142	195784	Ressort
14	187281	Roulement à billes du mandrin	143	157109	Support 42"
15	110485X	Dispositif du courant à air de tondeuse	144	158634	Guide-courroie
16	174493	Boulon de chariot 5/16-18 x 5/8	145	165888	Pouille du galet-tendeur
18	72140505	Boulon à épaulement	147	171977	Galet-tendeur
19	132827	Boulon à épaulement	148	169022	Ressort de traction
20	159770	Écrou	149	165898	Ressort de retenue
21	73680500	Capuchon de manchon	148	169022	Ressort de retenue
22	105304X	Ressort de torsion de déflecteur	147	131335	Ressort de traction
23	177563	Support de déflecteur de décharge de	146	171977	Galet-tendeur
24	123713X	Rondelle frein	145	165888	Pouille du galet-tendeur
25	123713X	Rondelle d'entretoisement de tondeuse	144	158634	Guide-courroie
26	110452X	Vis	143	157109	Support 42"
27	130968X428	Tige à charnière	142	195784	Ressort
28	19111016	Rondelle 1 1/32 x 5/8 x 16 Ja.	141	157109	Support 42"
29	131491	Rondelle 11/32 x 5/8 x 16 Ja.	140	157109	Support 42"
30	173984	Ensemble de l'arbre	139	157109	Support 42"
31	187690	Boîtier du mandrin	138	157109	Support 42"
32	153535	Ensemble de carter de tondeuse complet	137	157109	Support 42"

REMARQUE: Toutes les dimensions de composant sont données en pouces E.U. --1 pouce = 25,4 mm.

TRACTEUR - - NO. DE MODELE PO175H42LT (96012008600), NO. DE PRODUIT 960 12 00-86  
 CARTER DE TONDEUSE



42\_deck\_man-t-pah\_12\_r1

NO. DE PIÈCE	DESCRIPTION	NO. DE PIÈCE	DESCRIPTION
1	170551	44	17670412
2	17720408	44	17670412
3	-----	45	17000612
4	137352	46	19091416
		47	192334
		48	17060602
		81	73510400
13	165291		
14	148456		
23	169837		
29	137180		
31	407516		
32	197225		
33	123487X		
37	401137		
38	181654		
40	124028X		

**REMARQUE:** Toutes les dimensions de composant sont données en pouces E.-U. — 1 pouce = 25,4 mm.

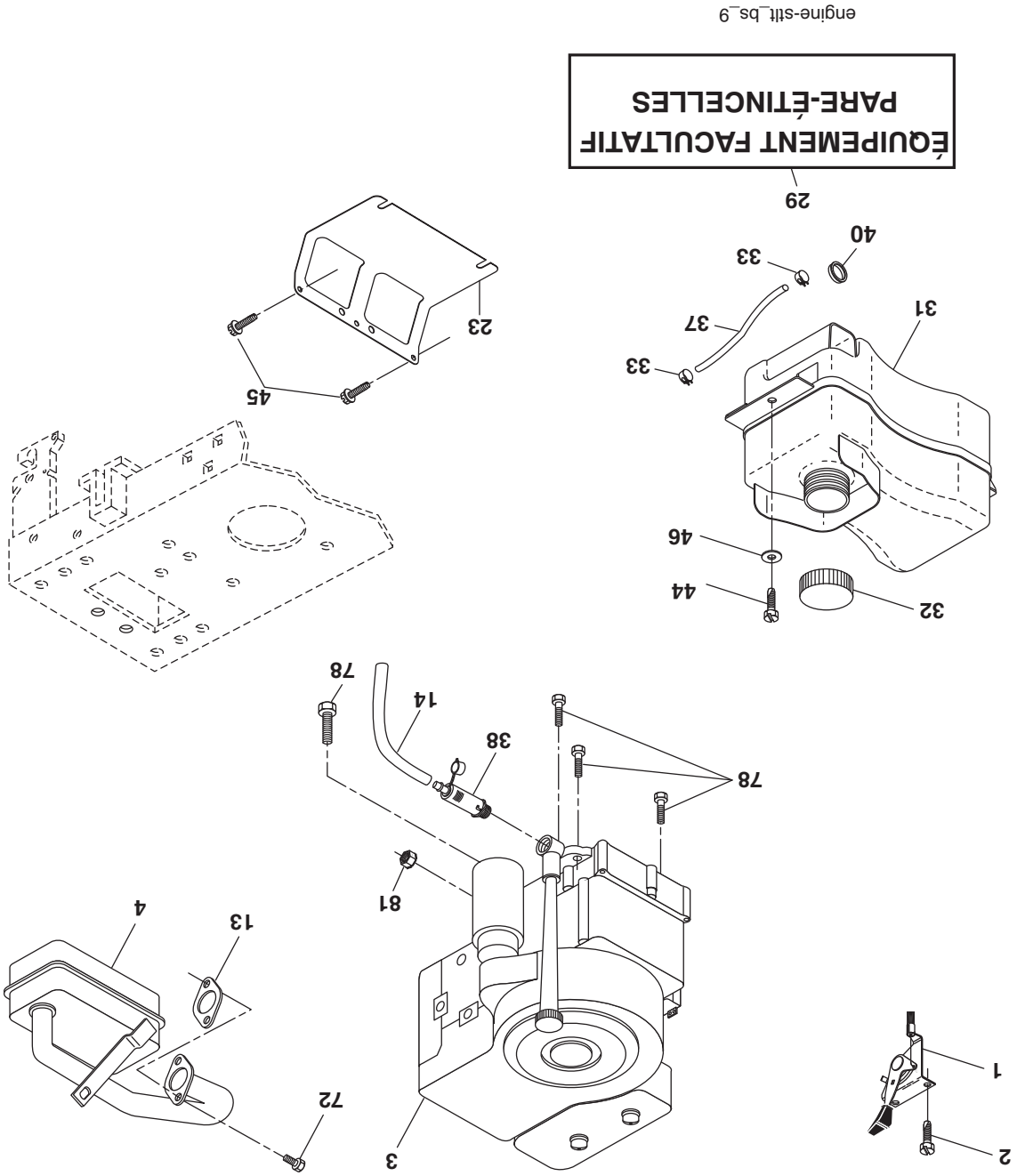
Pour des pièces de service et de rechange de moteur, réclamez le numéro de téléphone libre pour votre fabricant de moteur énuméré ci-dessous:

Briggs & Stratton  
1-800-233-3723

### L'Information de Classement de Pouvoir de Moteur

Le pouvoir brut évaluant pour les modèles de moteur de gaz individuels est conformément étiqueté à SAE (la Société d'Ingénieurs Automoteurs) le code J11940 (le Petit Pouvoir de Moteur & le Moment de torsion Evaluant la Procédure), et l'exécution de classement a été obtenue et a été corrigée conformément à SAE J1995 (la Révision 2002-5). Le véritable pouvoir de moteur brut sera plus bas et est affecté par, entre autres choses, les conditions d'opération ambiantes et le moteur-à-la variabilité de moteur. Donné les deux le tab-leau large de produits sur lesquels moteurs est placé et la variété de problèmes écologiques applicables à l'opération de l'équipement, le moteur de gaz ne développera pas le pouvoir de grosse évalué quand utilisé dans un morceau donné d'équipement de pouvoir (la puissance véritable, « sur place » ou nette). Cette différence est en raison d'une assortiment de facteurs inclut, mais pas limité à, les accessoires (le nettoyeur d'air, l'échappement, charger, le refroidissement, le carburateur, la pompe de carburant, etc.), les limitations d'application, les conditions d'opération ambiantes (la température, l'humidité, l'altitude), et le moteur-à-la variabilité de moteur. En raison des limitations de fabrication et capacité, Briggs & Stratton peut substituer un moteur de plus haut pouvoir évalué pour ce moteur de Feuilleton.





**TRACTEUR - - NO. DE MODÈLE PO175H42LT (96012008600), NO. DE PRODUIT 960 12 00-86**

**ENSEMBLE DE LA DIRECTION**

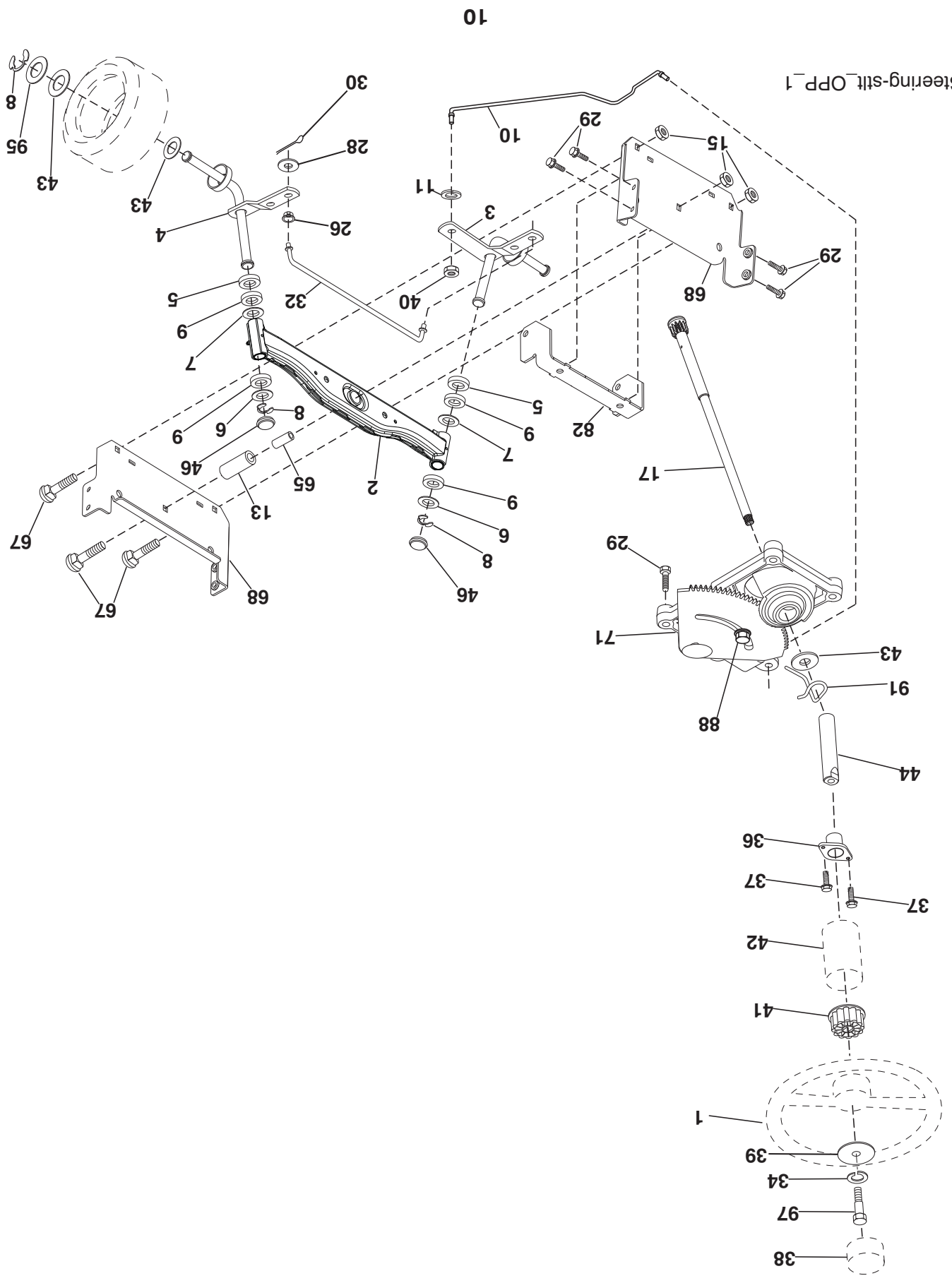
NO. DÉ	NO. PIÈCE	DESCRIPTION
1	186780	Volant de direction
2	418168	Ensemble d'essieu antérieur
3	169840	Ensemble de broche C.G.
4	169839	Ensemble de broche C.D.
5	6266H	Pallier de butée
6	121748X	Rondelle 25/32 x 1 5/8 x 16 Ja.
7	19272016	Rondelle 27/32 x 1-1/4 x 16 Ja.
8	1200029	Rondelle clip
9	3366R	Pallier de colonne de direction
10	175121	Barre de direction
11	10040600	Rondelle frein 3/8
13	136518	Entretoise
15	145212	Ecroû frein à collet
17	190753	Ensemble de l'arbre de direction
26	126847X	Douille de barre d'accouplement
28	19131416	Rondelle 13/32 x 7/8 x 16 Ja.
29	17000612	Vis 3/8-16 x 3/4
30	76020412	Goupille
32	192757	Barre d'accouplement
34	10040500	Rondelle frein 5/16
36	155099	Douille de direction
37	152927	Vis à chapeau n°10-32 x 4 x 3/8
38	192916	Insert de chapeau du volant de direction
39	19113812	Rondelle 11/32 ID x 2 3/8 x 12 Ja.
40	73540600	Ecroû auto-serrant 3/8-24
41	186737	Adaptateur du volant de direction
42	145054X428	Manchon de l'arbre de direction
43	121749X	Rondelle 25/32 x 1 1/4 x 16 Ja.
44	190752	Direction de rallongement
46	121232X	Chapeau de broche
65	414736	Essieu d'entrotoise
67	72110618	Boulon 3/8-16 x 2-1/4
68	169827	Moise
71	175146	Ensemble de direction
82	199978	Support
88	175118	Boulon 7/16-20
91	175553	Pince
95	188967	Rondelle .793 x 1.637 x 060
97	74780564	Boulon 5/16-18 x 4

**REMARQUE:** Toutes les dimensions de composant sont données en pouces E.-U. -- 1 pouce = 25,4 mm.

TRACTEUR - - NO. DE MODELE PO175H42LT (96012008600), NO. DE PRODUIT 960 12 00-86

ENSEMBLE DE LA DIRECTION

Steering-stit\_OPP\_1



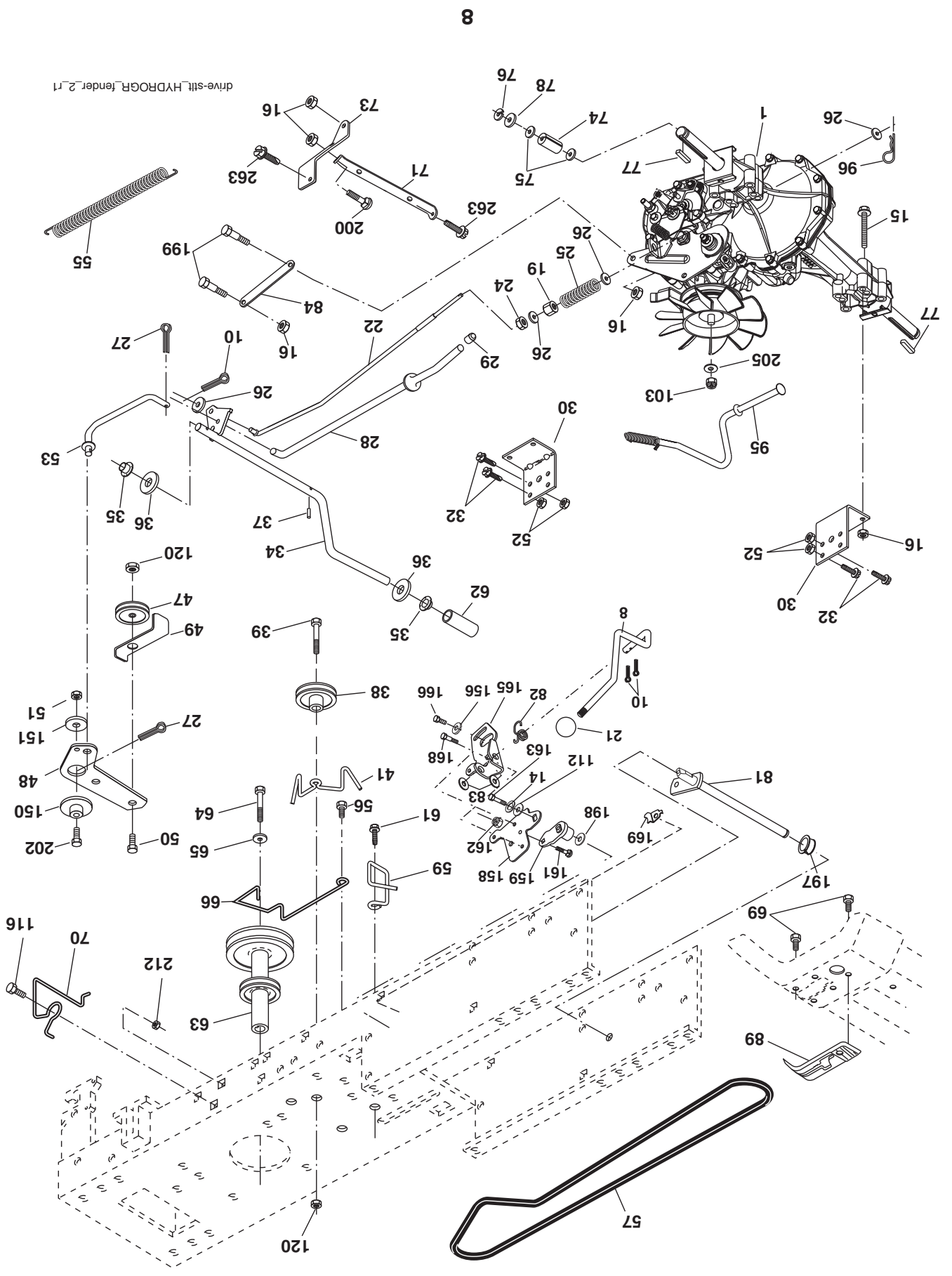
**TRACTEUR - - NO. DE MODÈLE PO175H42LT (96012008600), NO. DE PRODUIT 960 12 00-86**

**ENTRAÎNEMENT**

NO. DÉ	NO. PIÈCE	DESCRIPTION	NO. DÉ	NO. PIÈCE	DESCRIPTION
1	----	Transmission Hydro Gear	69	142432	Vis H1/4-1/2
8	192706	Tige de changement de vitesse (transmission)	73	169182	Attache C.D.
10	76020416	Goupille fendue 1/8 x 1 Cad.	74	137057	Entroîse fendue
14	10040400	Rondelle	75	121749X	Rondelle 25/32 x 1-1/4 x 16 Ja.
15	74490544	Boulon 5/16-18 Cad 5	76	1200001	Bague en E
16	73800500	Écrou frein avec insert 5/16-18 UNC	77	123583X	Cle
19	73800600	Écrou frein avec insert 3/8-16 UNC	78	121748X	Rondelle 25/32 x 1-5/8 x 16 Ja.
21	140845	Bouton	81	165596	Ensemble de l'arbre
22	169498	Tige de frein	82	165711	Ressort de torsion
24	73350600	Écrou	83	19171216	Rondelle 17/32 x 3/4 x 16 Ja.
25	106888X	Ressort de tige de frein	84	169843	Raccord de transmission
26	19131316	Rondelle	89	192056X428	Console de changement de vitesse
27	76020412	Tige de frein 1/8 x 3/4 Cad.	95	170201	Ensemble de la commande de dérivation hydrostatique
28	175765	Tige du frein de stationnement	96	4497H	Ressort de retenue 1" Zinc/Cad
29	71673	Chapeau du frein de stationnement	103	73940800	Écrou 1/2-20 Unt.
30	174973	Support de montage de transmission	112	19091210	Rondelle 9/32 x 3/4 x 10 Ja.
32	74760512	Boulon 5/16-18 UNC x 3/4	116	72144068	Boulon 3/8-16 x 1
34	175578	Ensemble de l'arbre de pédale	120	73900600	Boulon 3/8-16 x 1-1/2
35	120183X	Palier de nylon	150	175456	Ressort de retenue
36	19211616	Rondelle	151	19133210	Rondelle
37	1572H	Goupille mécanidus	156	166002	Rondelle 5/16 ID x 1 x .125
38	179114	Pouille de galet-tendeur	158	165589	Support
39	72110622	Boulon	159	183900	Moyeu LT
41	175556	Guide-courroie	161	72140406	Boulon 1/4-20 x 3/4 Cat. 5
47	127783	Pouille de galet-tendeur	162	73680400	Écrou auto-serrant 1/4-20 UNC
48	154407	Lévier coude	163	74780416	Boulon 1/4-20 UNC x 1 Cat. 5
49	123205X	Guide-courroie à ressort	165	165623	Support du pivot
50	72110612	Boulon 3/8-16 x 1-1/2 Cat. 5	166	17490510	Vis 5/16-18 x 5/8
51	73680600	Écrou 3/8-16 UNC	168	165492	Boulon 5/16-18 x .561
52	73680500	Écrou 5/16-18 UNC	169	165580	Plaque LT
53	199552	Raccord d'embrayage	197	169613	Douille de Nylon
55	105709X	Ressort de rappel d'embrayage	198	169593	Rondelle 7/8 ID x .105
56	17060620	Vis 3/8-16 x 1-1/4	199	169612	Boulon à épaulement
57	140294	Courroie	200	72140508	Boulon 5/16-18 5/16-18 UNC x 1
59	169691	Guide-courroie du châssis	202	72110614	Boulon 3/8-16 x 1-1/2 Cat. 5
61	17120614	Vis 3/8-16 x .875	205	19171616	Rondelle 17/32 x 1 x 16 Ja.
62	8883R	Couverture de pédale	212	145212	Écrou
63	175410	Pouille du moteur	263	17000612	Vis 3/8-16 x 3/4
64	173937	Boulon 7/16-20 x 4			
65	10040700	Rondelle			
66	154778	Guide-courroie du moteur			

**REMARQUE:** Toutes les dimensions de composant sont données en pouces E.-U. -- 1 pouce = 25,4 mm.

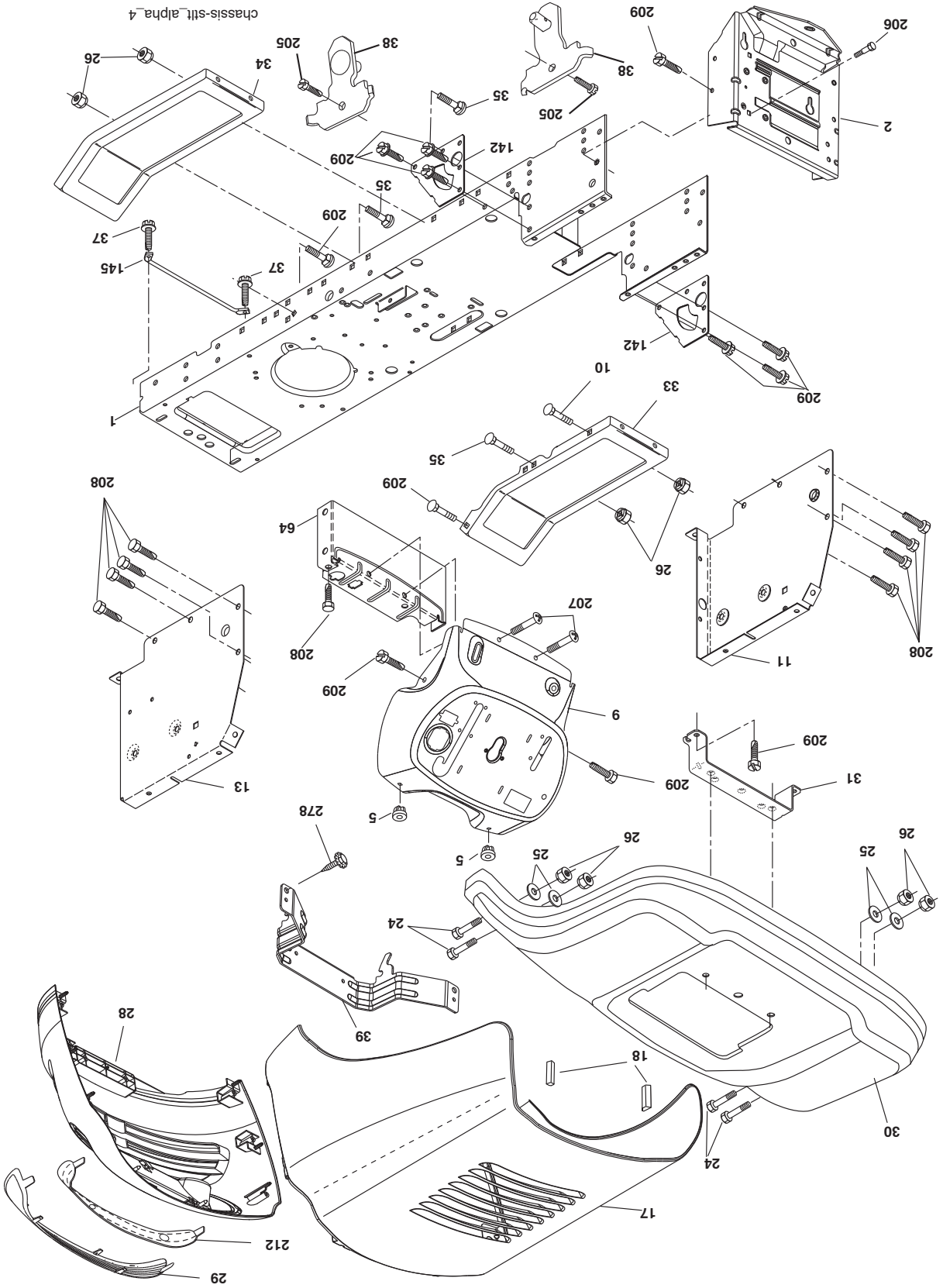
TRACTEUR - - NO. DE MODELE PO175H42LT (96012008600), NO. DE PRODUIT 960 12 00-86  
ENTRAÎNEMENT



drive-shft\_HYDROGR\_fender\_2\_lt

NO.	DE	REF	DESCRIPTION
1		174619	Chassis
2		176554	Barre d'attelage
5		155272	Pare-chocs
9		193510X010	Tableau de bord
10		72140608	Boulon de chariot 3/8-16 x 1
11		174996	Panneau du tableau de bord C.G.
13		172105X010	Panneau du tableau de bord C.D.
17		187559X428	Ensemble du capot
18		184921	Coussin de capot
24		74780616	Boulon
25		19131312	Rondelle 13/32 x 13/16 x 12 Ja.
26		73800600	Écrou
28		187598	Calandre (comprise les nos. de réf 29 et 212)
29		187567X599	Lentille
30		192526X428	Aile
31		136619	Support d'aile
33		179716X428	Repose-pieds C.G.
34		179717X428	Repose-pieds C.D.
35		72110606	Boulon
37		17490508	Vis 5/16-18 x 1/2 TYT
38		175710	Ensemble de support
39		187568	Support
64		154798	Abaissez le tiret
142		175702	Renfort de plat
145		409167	Tige
205		17490608	Vis 3/8-16 x 1/2
206		170165	Boulon à épaulement
207		17670508	Vis 5/16-18 x 1/2
208		17670608	Vis 3/8-16 x 1/2
209		17000612	Vis 3/8-16
212		187569	Insert de lentille
278		416358	Vis #10 x 0.750 BOS Fil
--		5479J	Bouchon de bouton
--		187801	Bouchon

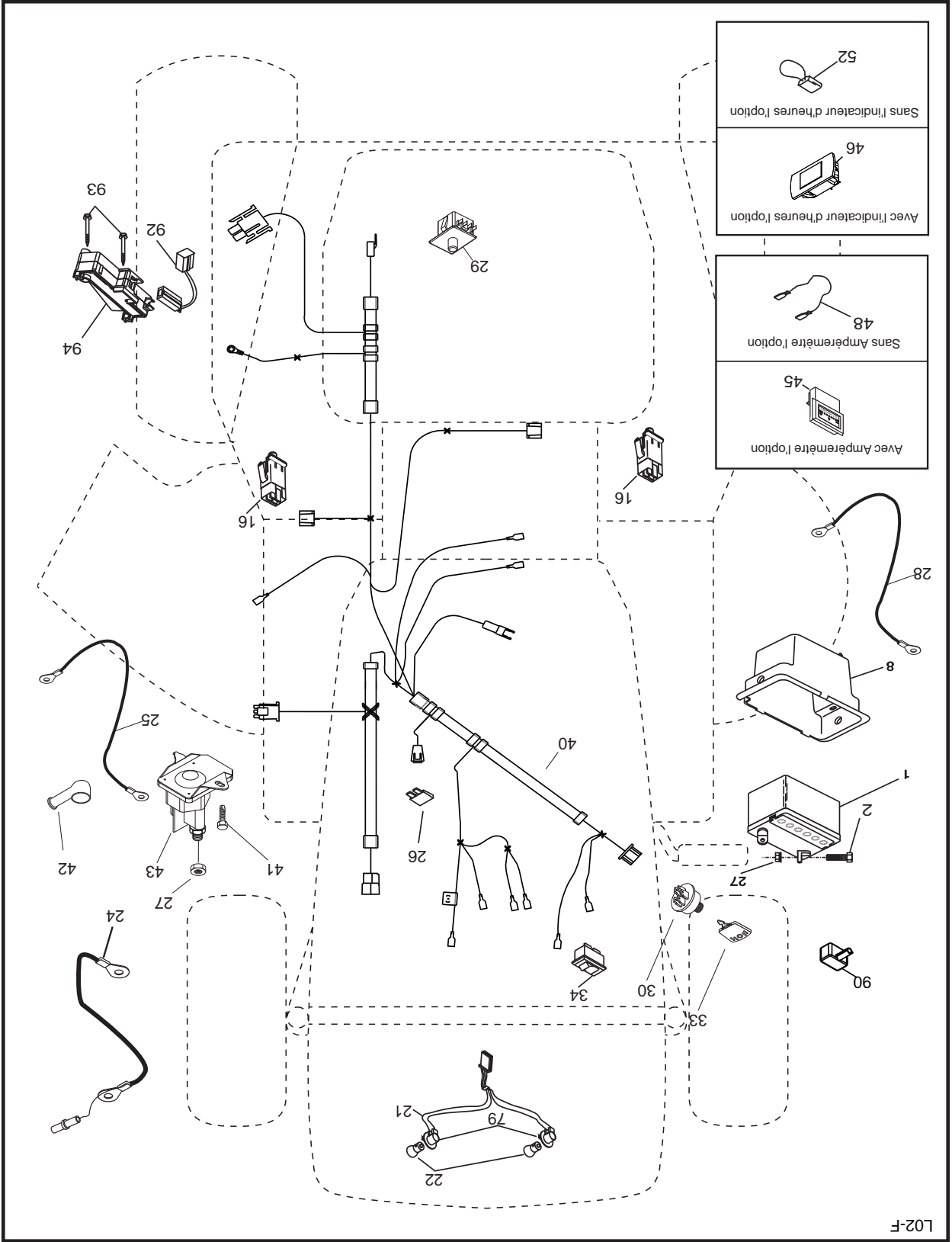
REMARQUE: Toutes les dimensions de composant sont données en pouces E.-U. -- 1 pouce = 25,4 mm.



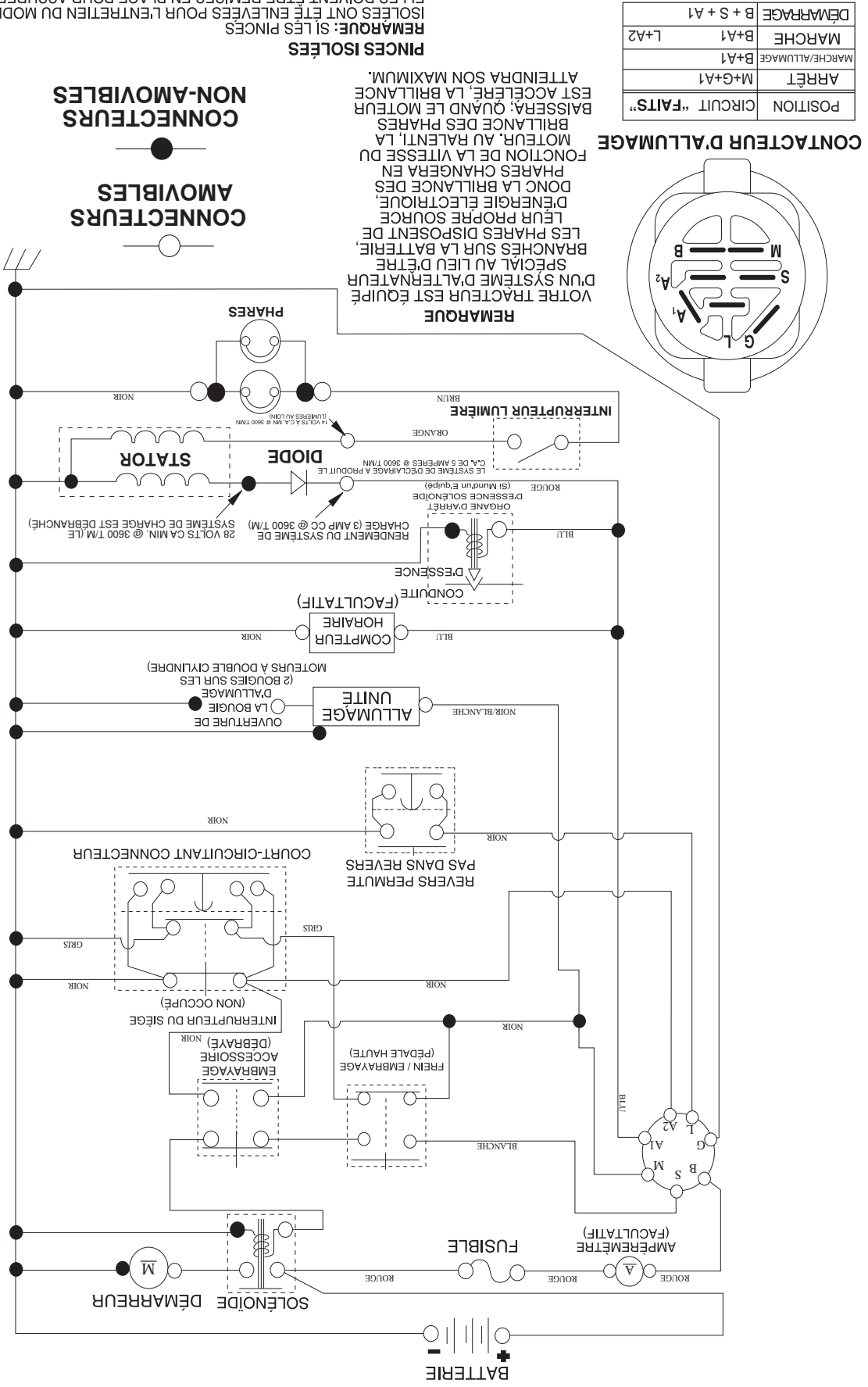
NO.	DE	DE	REF.	PIECE	DESCRIPTION
1			163465		Batterie
2			74760412		Boulon 1/4-20 unc x 3/4
8			176689		Bac de batterie
16			176138		Interrupteur de verrouillage
21			175688		Harnais des prises de courant des phares avec 4152J
22			4152J		Ampoule N°1156
24			4799J		Câble de batterie de 6 Ja de 11 po. - rouge
25			146147		Câble de batterie de 6 Ja avec un fil de 16 po. - rouge
26			175158		Fusible de 20 AMP
27			73510400		Écrou à taquets 1/4-20 unc
28			4207J		Câble de masse de 6 Ja de 12 po. - noir
29			192749		Interrupteur
30			193350		Contacteur d'allumage
33			411935		Clé/Chaîne
34			110712X		Interrupteur
40			197428		Harnais des câbles d'allumage
41			71110408		Boulon 1/4-20 x 1/2
42			131563		Couverture de borne
43			192507		Solénoïde
48			140844		Adaptateur de l'ampèremètre rectangulaire
52			141940		Fil en forme de boucle de protection
79			175242		Douille Ensemble Ampoule Torsionserure
90			180449		Couverture
92			196615		Harnais
93			192540		Vis 10-14 x 2.0
94			191834		Inverse du module ROS

**REMARQUE:** Toutes les dimensions de composant sont données en pouces E.-U. --1 pouce = 25,4 mm.

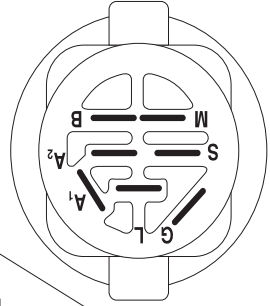




L02-F



CONTACTEUR D'ALLUMAGE

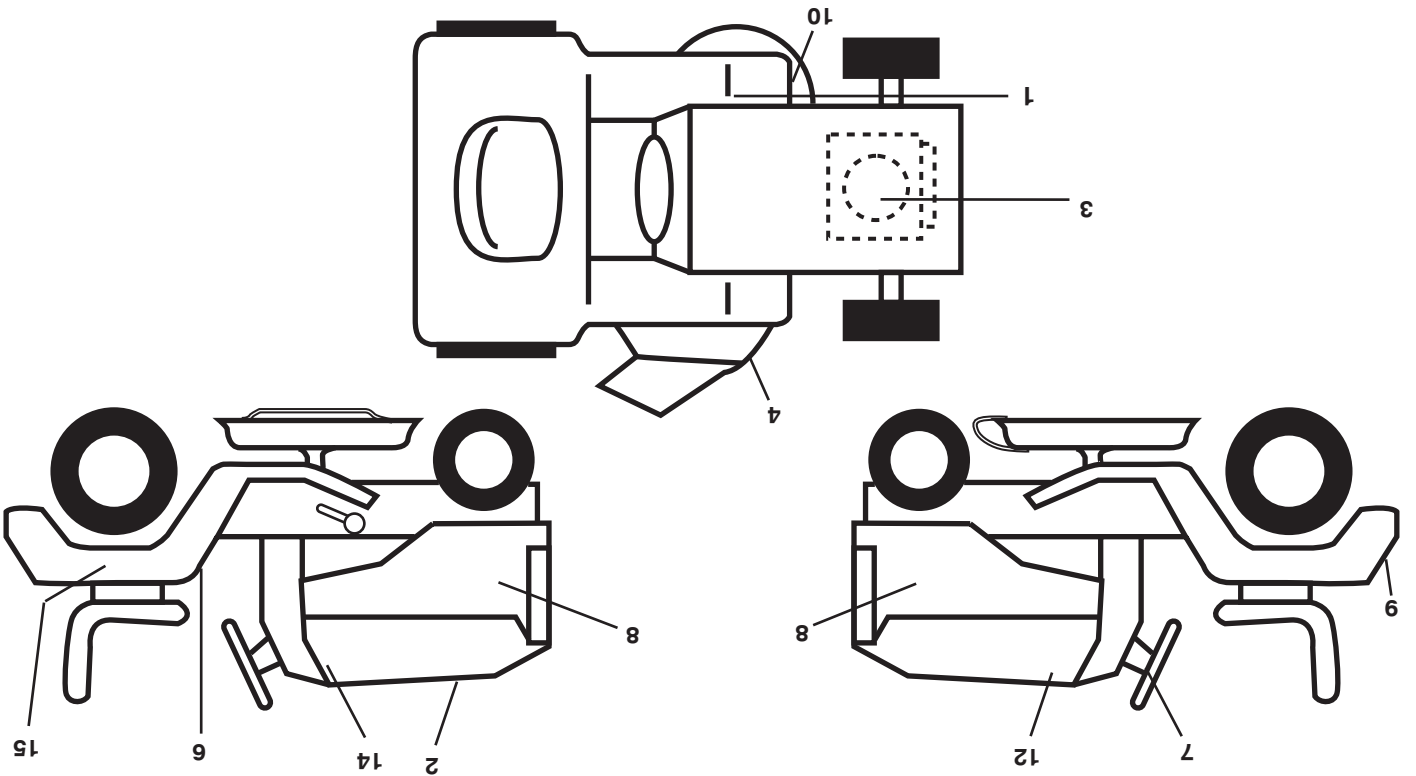


CONNECTEURS AMOVIBLES



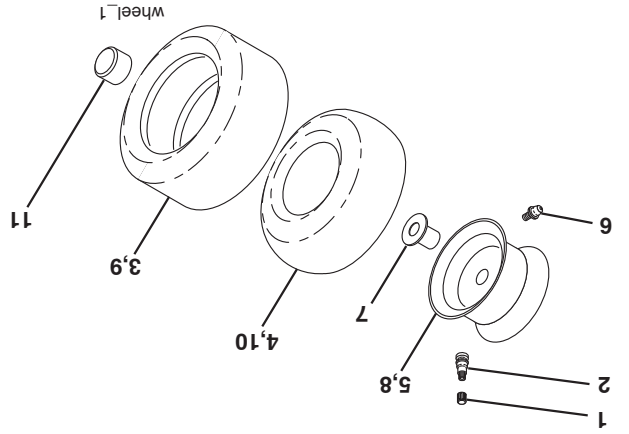
CONNECTEURS NON-AMOVIBLES





NO. DE DÉ	PIECE	DESCRIPTION
2	197068	Décalcomanie Remplacer
3	408819	Décalcomanie de C.V. du moteur
4	170563	Décalcomanie d'avertissement
6	411658	Décalcomanie d'aile danger anglais/ français
7	189705	Décalcomanie de l'insert du volant de direction
8	189710	Décalcomanie
9	158166	Décalcomanie du l'alle

ROUES & PNEUS



NO. DE DÉ	PIECE	DESCRIPTION
1	59192	Capuchon de valve de pneu
2	65139	Tubulure de valve
3	124157X	Pneu antérieur
4	59904	Chambre à air antérieure (non fournie)
5	106732X624	Ensemble de la jante antérieure 6 po. Graisseur (roue antérieure seulement)
6	278H	Graisseur (roue antérieure seulement)
7	9040H	Paller à bride (roue antérieure seule- ment)
8	106108X624	Ensemble de la jante arrière 8 po. Pneu arrière
9	123976X	Chambre à air arrière (non fournie)
10	7152J	Capuchon de l'essieu
11	104757X428	Joint d'étanchéité de pneu (tube de .30L [10 oz.]

NO. DE DÉ	PIECE	DESCRIPTION
10	160396	Décalcomanie de schéma de courroie trapézoïdale
12	194543	Décalcomanie de capot C.D.
14	194544	Décalcomanie de capot C.G.
15	145005	Décalcomanie de danger/poison de la batterie
--	138311	Décalcomanie de poignée de lavage
--	166960	Décalcomanie de dérivation
--	419450	Manuel du propriétaire (anglais/français)
--	419451	Manuel du pièces (anglais/français)

REMARQUE: Toutes les dimensions de composant sont données en pouces E.-U. -- 1 pouce = 25,4 mm.

# LISTE DES PIÈCES ILLUSTRÉE

MFG. ID NO: 96012008600

NUMÉRO DE CATALOGUE DE CLIENT:

PO175H42LT

NO. DE PRODUIT 960 12 00-86