

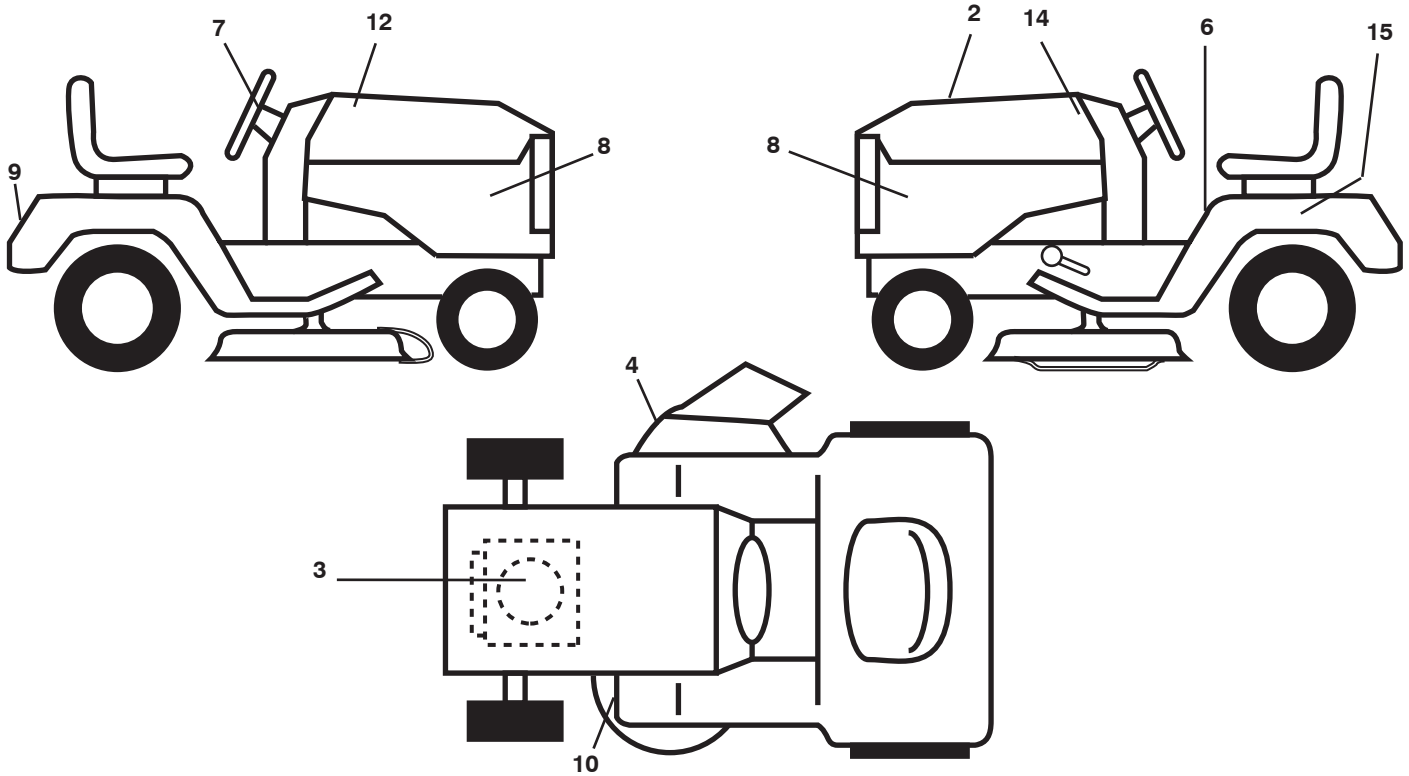
# **ILLUSTRATED PARTS LIST**

**MFG ID NO. 96012008300**

**CUSTOMER CATALOG NO. PO17542LTX**

**PRODUCT NO. 960 12 00-83**

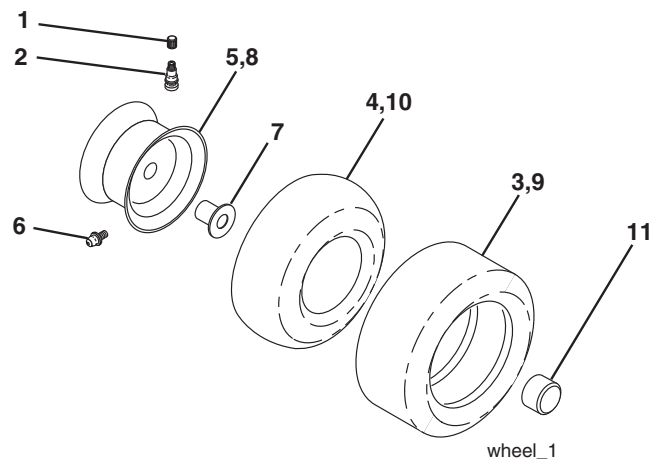
**TRACTOR - - MODEL NUMBER PO17542LTX (96012008300), PRODUCT NO. 960 12 00-83  
DECALS**



KEY NO.	PART NO.	DESCRIPTION
2	196315	Decal, Replacement
3	408819	Decal, Engine HP
4	170563	Decal, Warning
6	411658	Decal, Fender Danger English/French
7	189705	Decal, Ins Str Wh
8	188980	Decal, Side Panel
9	158166	Decal, Fender

KEY NO.	PART NO.	DESCRIPTION
10	160396	Decal, V-Belt Sch.
12	194543	Decal, Hood RH
14	194544	Decal, Hood LH
15	145005	Decal, Caution, Battery
--	138311	Decal, Handle Lft Height Adj.
--	418745	Manual, Operator's (E&F)
--	418746	Manual, Parts (E&F)

**WHEELS & TIRES**

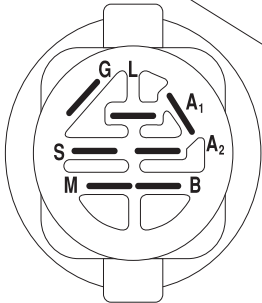
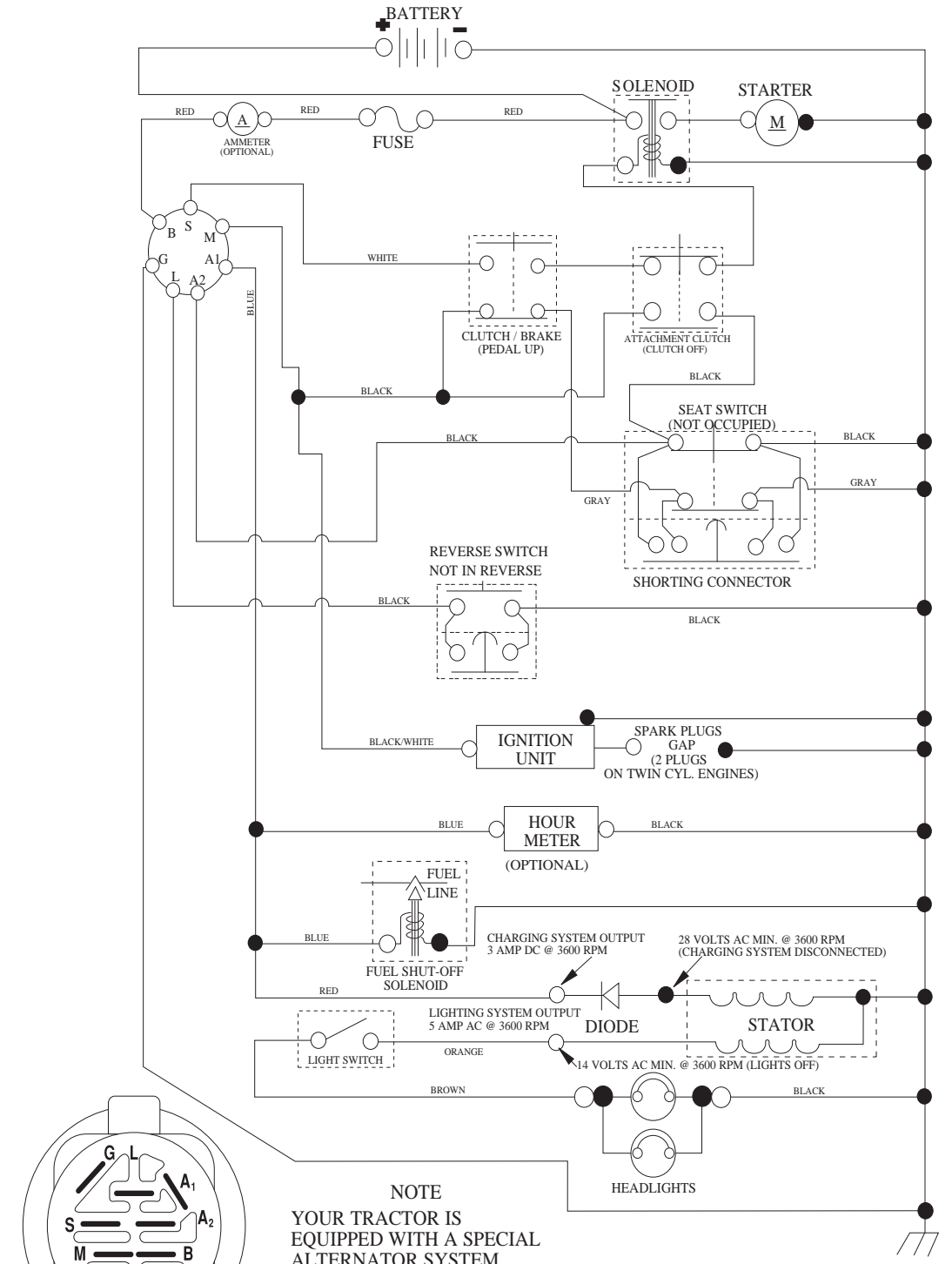


KEY NO.	PART NO.	DESCRIPTION
1	59192	Cap, Tire valve
2	65139	Stem, Valve
3	124157X	Tire, Front
4	59904	Tube, Front (Service item only)
5	106732X624	Rim assembly, 6"Front
6	278H	Fitting, Grease (Front wheel only)
7	9040H	Bearing, Flange (Front wheel only)
8	106108X624	Rim assembly, 8" Rear
9	123976X	Tire, Rear
10	7152J	Tube, Rear (Service item only)
11	104757X428	Cap, Hub Axle
--	144334	Sealant, Tire (10 oz. Tube)

**NOTE:** All component dimensions given in U.S. inches  
1 inch = 25.4 mm

# TRACTOR - - MODEL NUMBER PO17542LTX (96012008300), PRODUCT NO. 960 12 00-83 SCHEMATIC

SCH03



IGNITION SWITCH

POSITION	CIRCUIT "MAKE"
OFF	M+G+A1
RUN/OVERRIDE	B+A1
RUN	B+A1 L+A2
START	B + S + A1

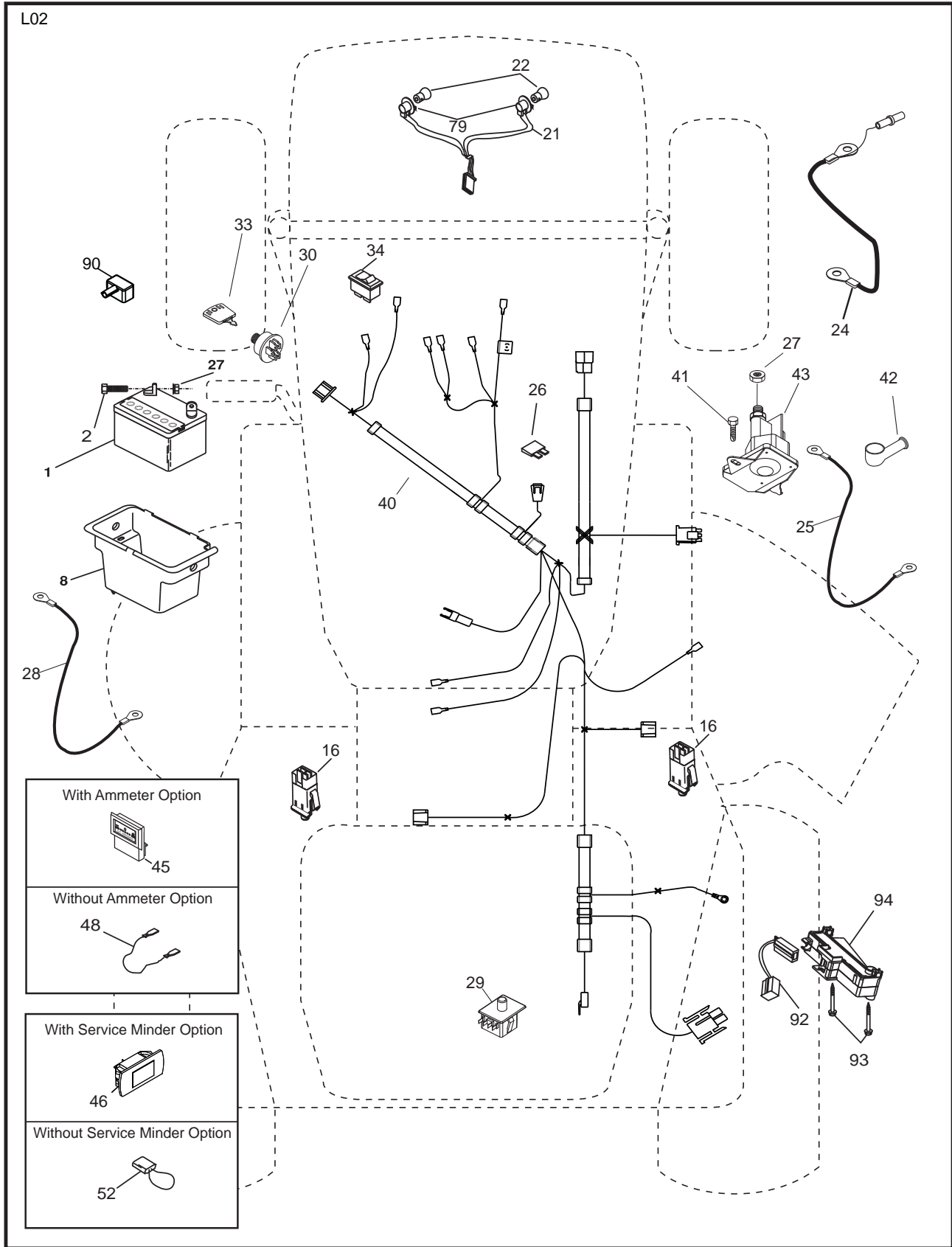
**NOTE**

YOUR TRACTOR IS EQUIPPED WITH A SPECIAL ALTERNATOR SYSTEM. THE LIGHTS ARE NOT CONNECTED TO THE BATTERY, BUT HAVE THEIR OWN ELECTRICAL SOURCE. BECAUSE OF THIS, THE BRIGHTNESS OF THE LIGHTS WILL CHANGE WITH ENGINE SPEED. AT IDLE THE LIGHTS WILL DIM. AS THE ENGINE IS SPEEDED UP, THE LIGHTS WILL BECOME THEIR BRIGHTEST.



WIRING INSULATED CLIPS  
NOTE: IF WIRING INSULATED CLIPS WERE REMOVED FOR SERVICING OF UNIT, THEY SHOULD BE RE-INSTALLED TO PROPERLY SECURE YOUR WIRING.

**TRACTOR - - MODEL NUMBER PO17542LTX (96012008300), PRODUCT NO. 960 12 00-83  
ELECTRICAL**

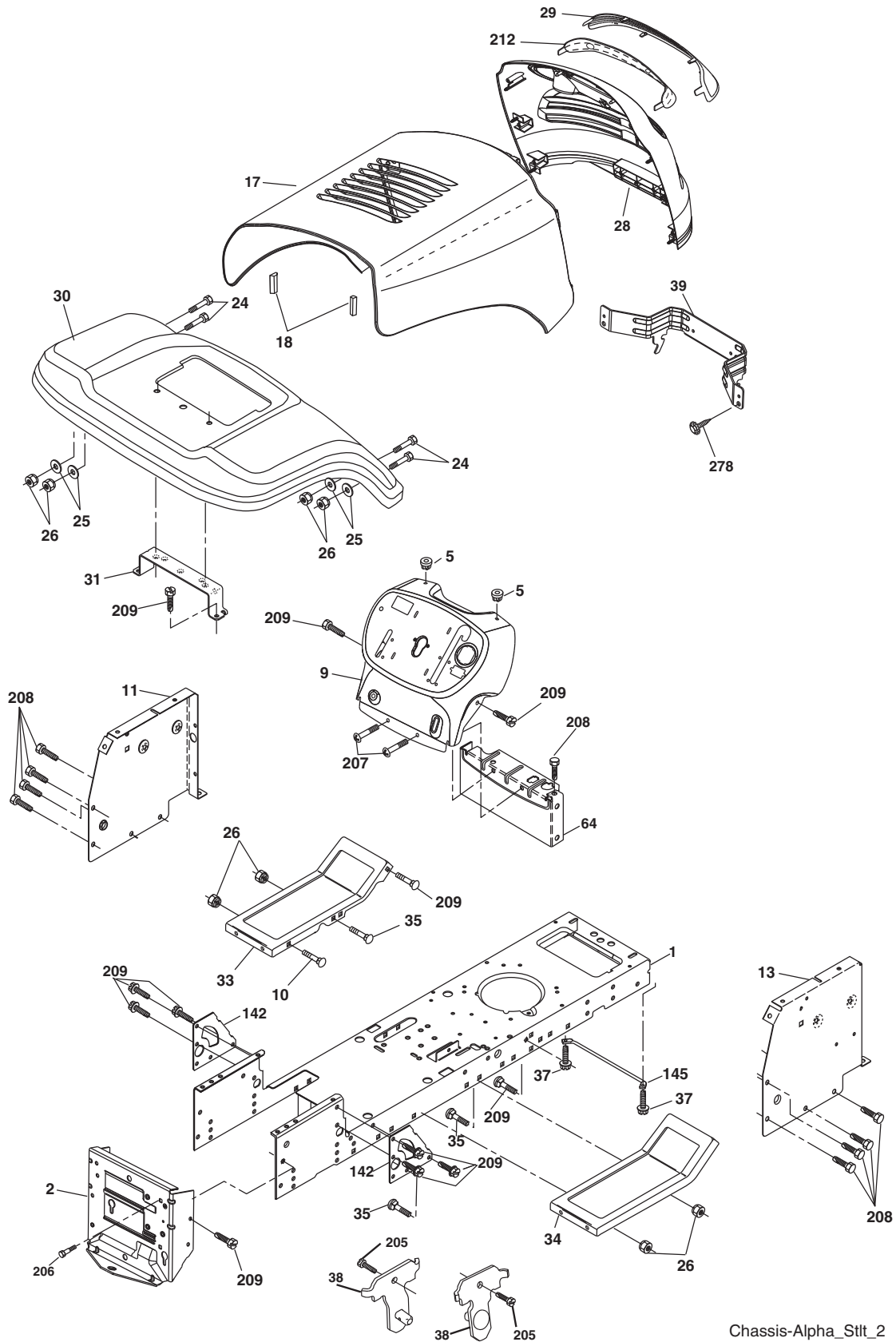


**TRACTOR - - MODEL NUMBER PO17542LTX (96012008300), PRODUCT NO. 960 12 00-83  
ELECTRICAL**

<b>KEY NO.</b>	<b>PART NO.</b>	<b>DESCRIPTION</b>
1	163465	Battery
2	74760412	Bolt Hex Hd 1/4-20 unc x 3/4
8	176689	Box Battery
16	176138	Switch Interlock
21	175688	Harness Asm Light w/4152j
22	4152J	Bulb Light #1156
24	4799J	Cable Battery 6 Ga. 11" Red
25	146147	Cable Battery
26	175158	Fuse 20 AMP
27	73510400	Nut Keps Hex 1/4-20 unc
28	4207J	Cable Ground 6 Ga. 12" Black
29	192749	Switch Seat
30	193350	Switch Ign
33	411935	Key/Chain
34	110712X	Switch Light/Reset
40	197428	Harness Ign
41	71110408	Bolt Blk Fin Hex 1/4-20
42	131563	Cover Terminal Red
43	192507	Solenoid
48	140844	Adapter Ammeter
52	141940	Protection Wire Loop
79	175242	Socket Asm. Bulb Twistlock
90	180449	Cover Terminal Battery
92	196615	Harness Pigtail
93	192540	Screw Plastite 10-14 x 2.0
94	191834	Module Reverse ROS

**NOTE:** All component dimensions given in U. S. inches  
1 inch = 25.4 mm.

TRACTOR--MODEL NUMBER PO17542LTX (96012008300), PRODUCT NO. 960 12 00-83 CHASSIS



Chassis-Alpha\_Stlt\_2

**TRACTOR - - MODEL NUMBER PO17542LTX (96012008300), PRODUCT NO. 960 12 00-83  
CHASSIS**

<b>KEY NO.</b>	<b>PART NO.</b>	<b>DESCRIPTION</b>
1	174619	Chassis
2	176554	Drawbar, Stretch
5	155272	Bumper, Hood/Dash
9	193510X010	Dash
10	72140608	Bolt, Carriage 3/8-16 x 1
11	174996	Panel Dash LH
13	172105X010	Panel Silscr Dash RH
17	187559X428	Hood
18	184921	Bumper Hood
24	74780616	Bolt Fin Hex 3/8-16 unc x 1 Gr. 5
25	19131312	Washer 13/32 x 13/16 x 12 Ga.
26	73800600	Nut Lock Hex w/Ins 3/8-16 unc
28	187598	Grille/Lens Asm. (Include Key Nos. 29 and 212)
29	187567X599	Lens Grille Bar
30	192526X428	Fender
31	136619	Bracket Fender Repl 109873X
33	179716X428	Footrest Pnt LH
34	179717X428	Footrest Pnt RH
35	72110606	Bolt Rdhd Sht Sqnk 3/8-16 x 3/4
37	17490508	Screw Thdrol 5/16-18 x 1/2 TYT
38	175710	Bracket Asm. Pivot Mower
39	187568	Bracket Pivot
64	154798	Dash Lower
142	175702	Plate Reinforcement
145	409167	Rod Pivot Chassis/Hood
205	17490608	Screw Thdrol 3/8-16 x 1/2
206	170165	Bolt Shoulder 5/16-18
207	17670508	Screw 5/16-18 x 1/2
208	17670608	Screw Thdrol 3/8-16 x 1/2
209	17000612	Screw Hex Wsh Thdrol 3/8-16
212	187569	Insert Lens Reflect
278	416358	Screw #10 X 0.750 BOS Thread
---	5479J	Plug Button Blk 359 Dia Choke
--	187801	Plug Dome Plastic

**NOTE:** All component dimensions given in U.S. inches  
1 inch = 25.4 mm.



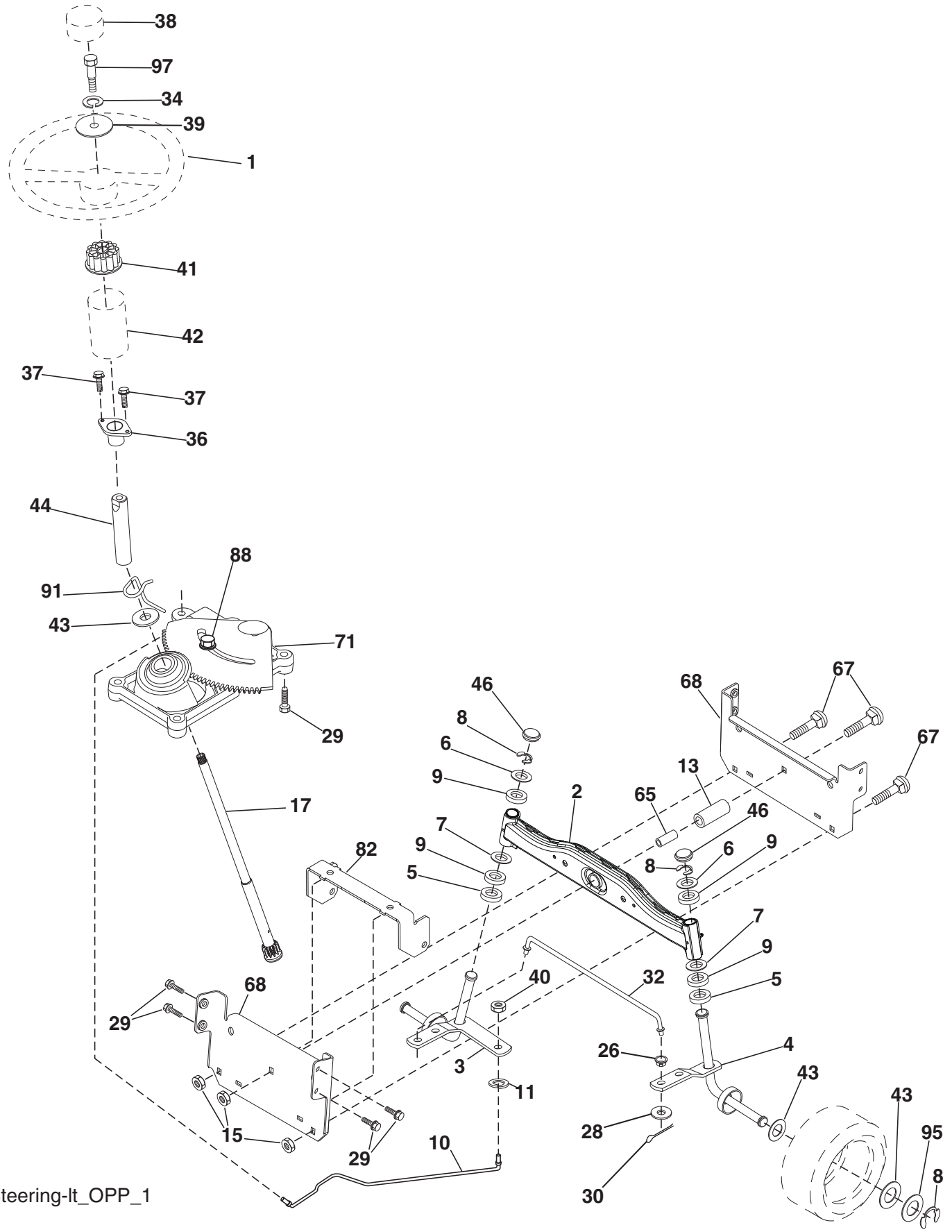


**TRACTOR - - MODEL NUMBER PO17542LTX (96012008300), PRODUCT NO. 960 12 00-83  
DRIVE**

<b>KEY NO.</b>	<b>PART NO.</b>	<b>DESCRIPTION</b>	<b>KEY NO.</b>	<b>PART NO.</b>	<b>DESCRIPTION</b>
1	-----	Transaxle Dana Model D4360-140 (Order parts from transaxle manufacturer)	62	8883R	Cover Pedal Blk Round
2	146682	Spring Return Brake	63	175410	Engine Pulley LT/YT
3	123666X	Pulley Transaxle 18"Tires	64	173937	Bolt Hex 7/16-20 x 4 Gr. 5
4	12000028	Ring Retainer # 5100-62	65	10040700	Washer Lock Hvy Hlcl Spr 7/16
5	121520X	Strap Torque 30 Degrees RH	66	154778	Keeper Belt Engine
6	17000512	Screw 5/16-18 x 3/4	69	142432	Screw 1/4 x 1/2 unc
8	192706	Rod Shifter Blk	70	134683	Guide Belt Mower Drive RH
10	76020416	Pin Cotter 1/8 x 1 Cad	74	109502X	Spacer Axle
11	105701X	Washer Plate Shf 388 Sq Hole	75	121749X	Washer 25/32 x 1 1/4 x 16 Ga.
13	74550412	Bolt 1/4-28 unf Gr. 8 w/Patch	76	12000001	E-ring #5133-75
14	10040400	Washer Lock Hvy Helical 1/4	77	123583X	Key Square 2 0 x 1845/ 1865
15	74490544	Bolt Hex Flghd 5/16-18 Gr. 5	78	121748X	Washer 25/32 x 1-5/8 x 16 Ga.
16	73800500	Nut 5/16-18	79	2228M	Key Woodruff
18	74780616	Bolt Fin Hex 3/8-16 unc x 1 Gr. 5	80	131488	Arm Shift Transaxle
19	73800600	Nut lock Hex w/lns 3/8-16 unc	81	165594	Shaft Asm Cross Taper
21	106933X	Knob	82	165711	Spring Torsion Shift
22	130804	Rod Brake LT	83	19171216	Washer 17/32 x 3/4 x 16 Ga.
24	73350600	Nut Hex Jam 3/8-16 unc	84	166229	Link Transaxle
25	106888X	Spring Rod Brake 2 00 Zinc	85	150360	Nut Lock Center 1/4-28
26	19131316	Washer 13/32 x 13/16 x 16 Ga.	89	192053X428	Console Shift
27	76020412	Pin Cotter 1/8 x 3/4 Cad	96	4497H	Retainer Spring 1"
28	175765	Rod Brake Parking LT/YT	112	19091210	Washer 9/32 x 3/4 x 10 Ga.
29	71673	Cap Brake Parking Black	113	127285X	Strap Torque 90 Degrees LH
30	174973	Bracket Transmission	116	72140608	Bolt Rdhd Sq Neck 3/8-16 x 1
32	74760512	Bolt Fin Hex 5/16-18 x 3/4	120	73900600	Nut Lock Flg 3/8-16
34	175578	Shaft Asm Pedal Foot Nibbed	150	175456	Spacer Retainer Lt
35	120183X	Bearing Nylon Blk 629 Id	151	19133210	Washer 13/32 x 2 x 10 Ga.
36	19211616	Washer 21/32 x 1 x 16 Ga.	156	166002	Washer Srrrtd 5/16 ID x 1.0 x .125
37	1572H	Pin Roll 3/16 x 1"	158	165589	Bracket Shift Mount
38	179114	Pulley Composite Flat	159	183900	Hub Shift
39	72110622	Bolt 3/8-16 x 2-3/4	161	72140406	Bolt 1/4-20 x 3/4 Gr. 5
41	175556	Keeper Belt Idler	162	73680400	Nut Crownlock 1/4-20 unc
47	127783	Pulley Idler V Groove Plastic	163	74780416	Bolt Hex Fin 1/4-20 unc x 1 Gr. 5
48	154407	Bellcrank Clutch Grnd Drv STL	165	165623	Bracket Pivot Lever
49	123205X	Retainer Belt Style Spring	166	17490510	Screw 5/16-18 x 5/8
50	72110612	Bolt Carr Sh 3/8-16 x 1-1/2 Gr. 5	168	165492	Bolt Shoulder 5/16-18 x .561
51	73680600	Nut Crownlock 3/8-16 unc	169	165580	Plate Fastening
52	73680500	Nut Crownlock 5/16-18 unc	170	187414	Keeper, Belt Transaxle
53	199652	Link Clutch	197	169613	Nyliner Snap-In 5/8
55	105709X	Spring Return Clutch 6 75	198	169593	Washer Nylon
56	17060620	Screw 3/8-16 x 1-1/4	202	72110614	Bolt Carr Sh 3/8-16 x 1-3/4 Gr. 5
57	401603	V-Belt Ground Drive 95.68	212	145212	Nut Hex Flg Lock
59	169691	Keeper Belt Chassis Span Ctr			
61	17120614	Screw 3/8-16 x .875			

**NOTE:** All component dimensions given in U.S. inches  
1 inch = 25.4 mm

TRACTOR - - MODEL NUMBER PO17542LTX (96012008300), PRODUCT NO. 960 12 00-83  
STEERING



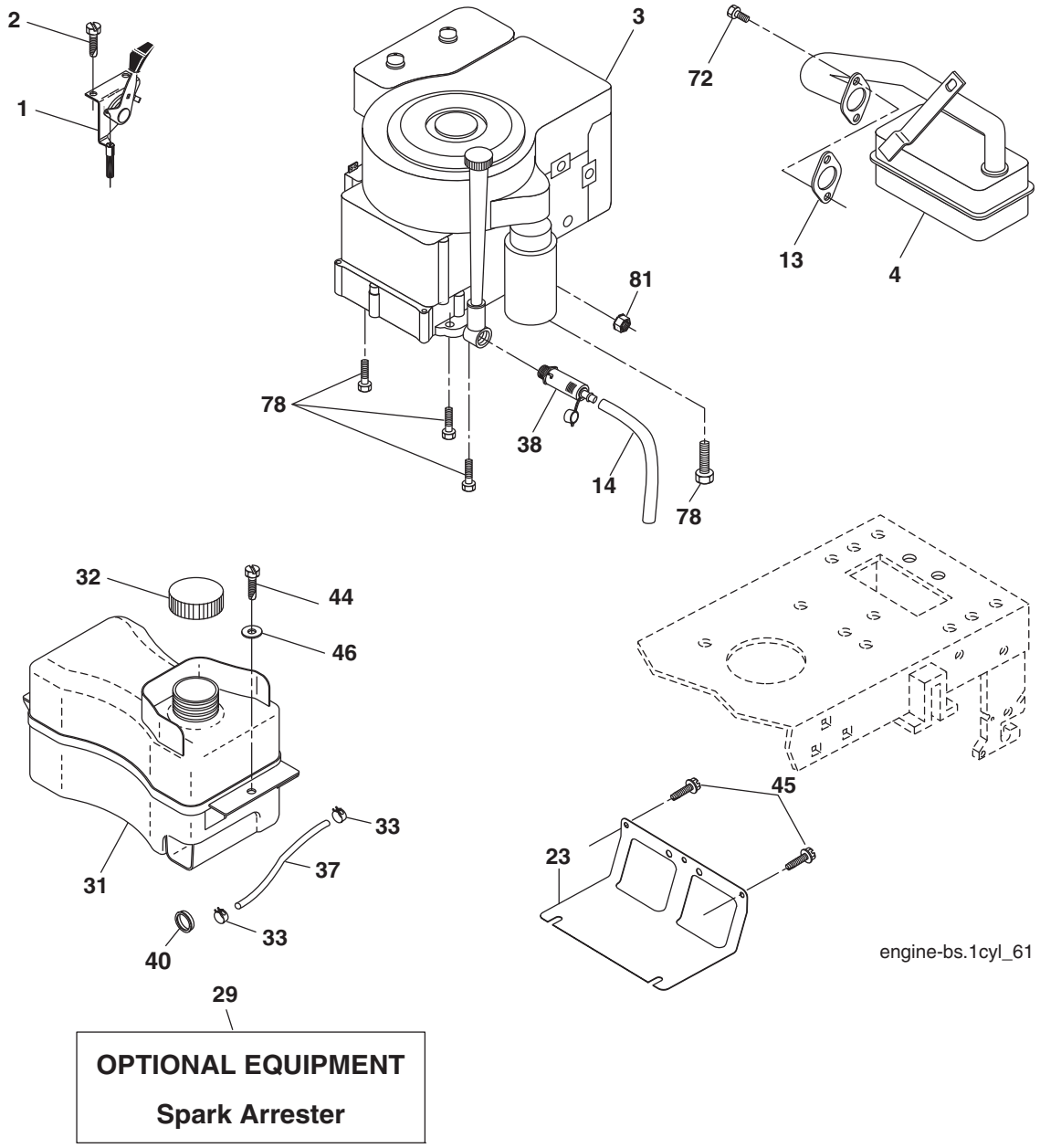
Steering-It\_OPP\_1

**TRACTOR - - MODEL NUMBER PO17542LTX (96012008300), PRODUCT NO. 960 12 00-83  
STEERING**

<b>KEY NO.</b>	<b>PART NO.</b>	<b>DESCRIPTION</b>
1	186780	Wheel Steering
2	195673	Axle Asm
3	169840	Spindle Asm LH
4	169839	Spindle Asm RH
5	6266H	Bearing Race Thrust Harden
6	121748X	Washer 25/32 x 1-5/8 x 16 Ga.
7	19272016	Washer 27/32 x 1-1/4 x 16 Ga.
8	12000029	Ring Klip #t5304-75
9	3366R	Bearing Col Strg Blk
10	175121	Link Drag
11	10040600	Washer Lock Hvy Hlcl Spr 3/8
13	136518	Spacer Bearing Axle Front
15	145212	Hexflange Lock
17	411386	Shaft Asm Strg
26	126847X	Bushing Link Drag Blk LR
28	19131416	Washer 13/32 x 7/8 x 16 Ga.
29	17000612	Screw 3/8-16 x 3/4
30	76020412	Pin Cotter 1/8 x 3/4 Cad
32	192757	Rod Tie Wire Form 19 75 Mech
34	10040500	Washer Lock 5/16
36	155099	Bushing Strg 5/8 Id Dash
37	152927	Screw
38	192916	Cap Wheel Steer
39	19113812	Washer 11/32 x 2 x 12 Ga.
40	73540600	Nut Crownlock 3/8-24
41	186737	Adaptor Wheel Strg
42	145054X428	Boot Dash Mtl Steering Blk
43	121749X	Washer 25/32 x 1 1/4 x 16 Ga.
44	190752	Extension Steering
46	121232X	Cap Spindle Fr Top Blk
65	414736	Spacer Brace Axle
67	72110618	Bolt RDHD SQNK 3/8-16 x 2-1/4
68	169827	Brace Axle
71	175146	Steering Asm.
82	199978	Bracket Susp Chassis Front
88	175118	Bolt Shoulder 7/16-20
91	175553	Clip Steering
95	188967	Washer Harden .793 x 1.637 x 060
97	74780564	Bolt 5/16-18 x 4 Gr. 5

**NOTE:** All component dimensions given in U.S. inches  
1 inch = 25.4 mm.

**TRACTOR - - MODEL NUMBER PO17542LTX (96012008300), PRODUCT NO. 960 12 00-83  
ENGINE**



engine-bs.1cyl\_61

**TRACTOR - - MODEL NUMBER PO17542LTX (96012008300), PRODUCT NO. 960 12 00-83 ENGINE**

KEY NO.	PART NO.	DESCRIPTION
1	170551	Control Th/ch Flag
2	17720408	Screw Hex Thd Cut 1/4-20 x 1/2
3	-----	Engine, B&S 31C707 (Order parts from engine manufacturer)
4	137352	Muffler Exhaust B&S
13	165291	Gasket Eng 1 313 Id Tin Plated
14	148456	Tube Drain Oil Easy
23	169837	Shield BRN/DBR Guard
29	137180	Kit Spark Arrester (Flat Scrn)
31	407516	Tank Fuel Front
32	197725	Cap Asm Fuel
33	123487X	Clamp Hose
37	401137	Line Fuel 20"
38	181654	Plug Drain Oil

KEY NO.	PART NO.	DESCRIPTION
40	124028X	Bushing Snap Nyl Blk Fuel Line
44	17670412	Screw Thdrol 1/4-20 x 3/4
45	17000612	Screw Hex Wsh Thdrol 3/8-16
46	19091416	Washer 9/32 x 7/8 x 16 Ga.
72	192334	Screw Socket Head 5/16-18 x 3/4
78	17060620	Screw 3/8-16 x 1-1/4
81	73510400	Nut Keps Hex 1/4-20 unc

**NOTE:** All component dimensions given in U.S. inches  
1 inch = 25.4 mm

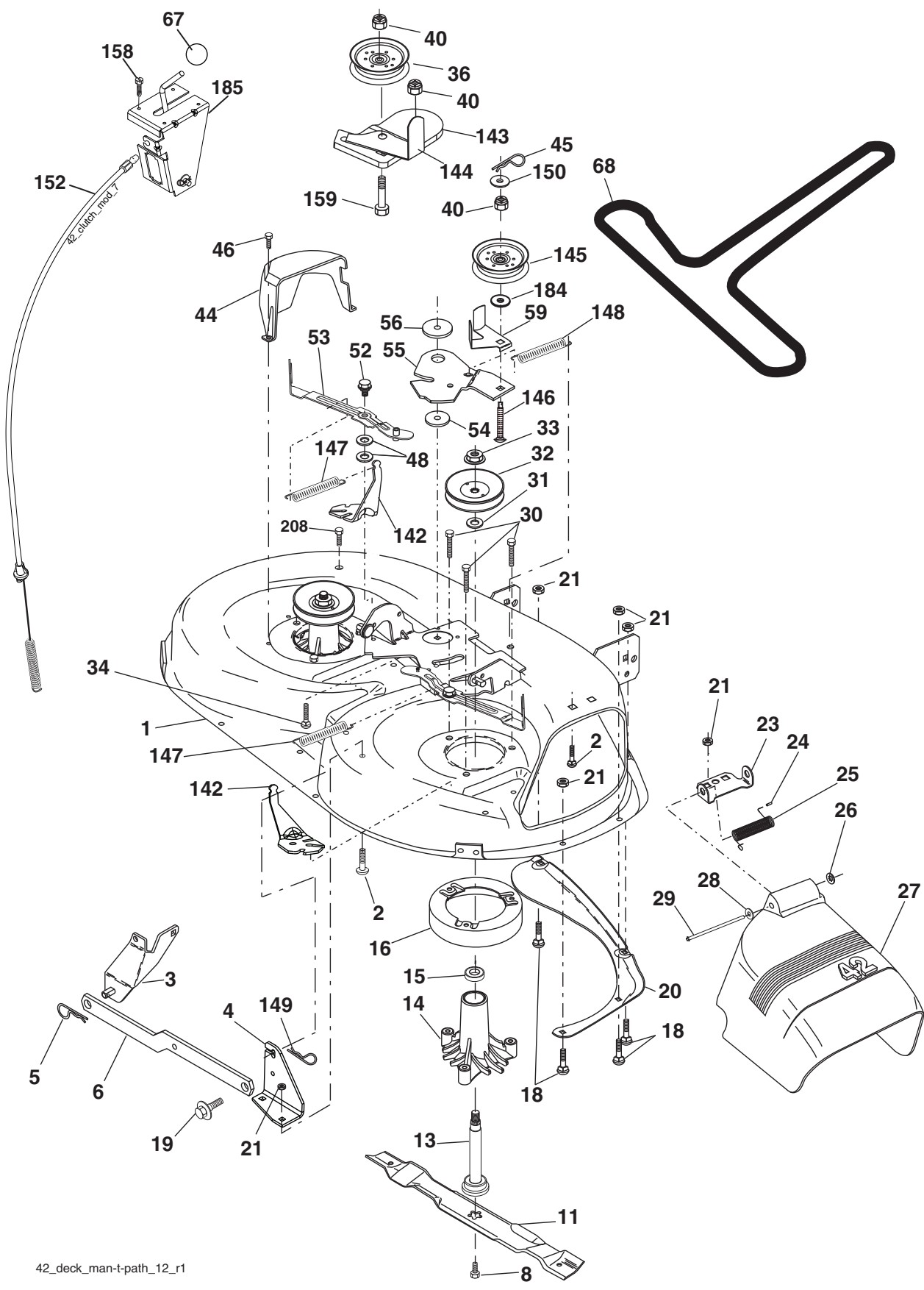
For engine service and replacement parts, call the toll free number for your engine manufacturer listed below:

Briggs & Stratton            1-800-233-3723

**Engine Power Rating Information**

The gross power rating for individual gas engine models is labeled in accordance with SAE (Society of Automotive Engineers) code J11940 (Small Engine Power & Torque Rating Procedure), and rating performance has been obtained and corrected in accordance with SAE J1995 (Revision 2002-5). Actual gross engine power will be lower and is affected by, among other things, ambient operating conditions and engine-to-engine variability. Given both the wide array of products on which engines are placed and the variety of environmental issues applicable to operating the equipment, the gas engine will not develop the rated gross power when used in a given piece of power equipment (actual "on-site" or net horsepower). This difference is due to a variety of factors including, but not limited to, accessories (air cleaner, exhaust, charging, cooling, carburetor, fuel pump, etc.), application limitations, ambient operating conditions (temperature, humidity, altitude), and engine-to-engine variability. Due to manufacturing and capacity limitations, Briggs & Stratton may substitute an engine of higher rated power for this Series engine.

TRACTOR - - MODEL NUMBER PO17542LTX (96012008300), PRODUCT NO. 960 12 00-83  
MOWER DECK



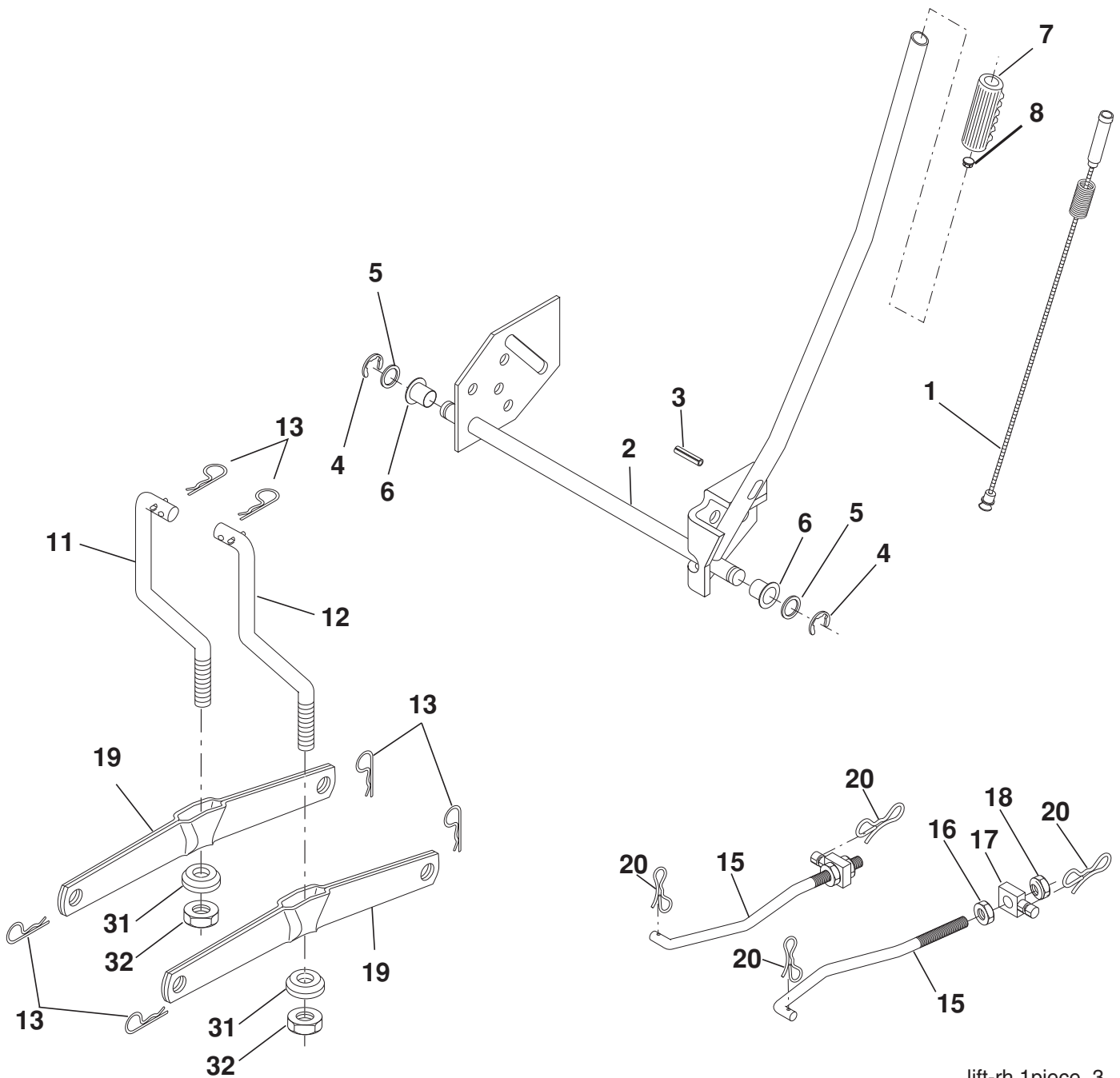
42\_deck\_man-t-path\_12\_r1

**TRACTOR - - MODEL NUMBER PO17542LTX (96012008300), PRODUCT NO. 960 12 00-83  
MOWER DECK**

<b>KEY NO.</b>	<b>PART NO.</b>	<b>DESCRIPTION</b>	<b>KEY NO.</b>	<b>PART NO.</b>	<b>DESCRIPTION</b>
1	165892	Mower Deck Assembly, 42"	44	140088	Guard, Mandrel, LH
2	72140506	Bolt	45	4497H	Retainer
3	138017	Bracket Asm Fr. Sway Bar 3/42	46	137729	Screw, Thdrol 1/4-20 x 5/8 T
4	165460	Bracket Asm Deck 42" Sway Bar	48	133944	Washer, Hardened
5	4939M	Retainer Spring	52	139888	Bolt, Shoulder 5/16-18 unc
6	178024	Bar Sway Deck	53	184907	Arm Assembly, Pad, Brake
8	193003	Bolt/Washer Asm. 7/16-20 unf (The following Blades are available)	54	178515	Washer, Hardened
11	138971	Blade Mower 42" Hi-Lift (for bagging and discharging)	55	155046	Arm, Idler
--	134149	Blade, Mulching 42" Std (for mulch- ing mowers only)	56	165723	Spacer, Retainer
--	139775	Blade Mulching 42" Premium (For better wear when mulching)	59	141043	Guard TUV Idler
13	192872	Shaft Asm. MNDRL	67	106932X	Knob Round
14	187281	Housing, Mandrel, Vented	68	144959	V-Belt, 42" Mower
15	110485X	Bearing, Ball, Mandrel	142	195784	Arm Spring Brake Mower
16	174493	Stripper, Mandrel Deck	143	157109	Bracket Arm Idler 42"
18	72140505	Bolt, Carriage 5/16-18 x 5/8	144	158634	Keeper Belt 42" Clutch Cable
19	132827	Bolt, Shoulder	145	165888	Pulley Idler Flat
20	159770	Baffle, Vortex	146	171977	Bolt Carriage Idler
21	73680500	Nut	147	131335	Spring Extension
23	177563	Bracket, Deflector Mower 42"	148	169022	Spring Return Idler
24	105304X	Cap, Sleeve 80 x 112 Blk Mower	149	165898	Retainer Spring Yellow
25	123713X	Spring, Torsion, Deflector 2 52	150	19091210	Washer 9/32 x 3/4 x 10 Ga.
26	110452X	Nut, Push Phos & Oil	152	169676	Clutch Cable 42"
27	130968X428	Shield, Deflector 42" Blk	158	17720408	Screw Hex Thd Cut 1/4-20 x 1/2
28	19111016	Washer 11/32 x 5/8 x 16 Ga.	159	72140614	Bolt Rdhd Sqn 3/8-16 unc x 1-3/4
29	131491	Rod, Hinge 42" 6 75 W/G	184	19131410	Washer 13/32 x 7/8 x 10 Ga.
30	173984	Screw Thdrol	185	188234	Head Asm Cable Clutch
31	187690	Washer, Spacer Mower Vented	208	<b>17670608</b>	Screw THDROL 3/8-16 x 1/2
32	153535	Pulley, Mandrel	--	192870	Mandrel Assembly (Includes housing, shaft assembly, and bearing only - pulley/nut/washer and blade bolt/ washers not included)
33	400234	Nut, Toplock	--	418031	Replacement Mower, Complete
34	72110612	Bolt Carr SH 3/8-16 x 1-1/2 Gr. 5			
36	131494	Pulley, Idler, Flat			
40	73900600	Nut Lock 3/8-16			

**NOTE:** All component dimensions given in U.S. inches  
1 inch = 25.4 mm

**TRACTOR - - MODEL NUMBER PO17542LTX (96012008300), PRODUCT NO. 960 12 00-83  
MOWER LIFT**



lift-rh.1piece\_3

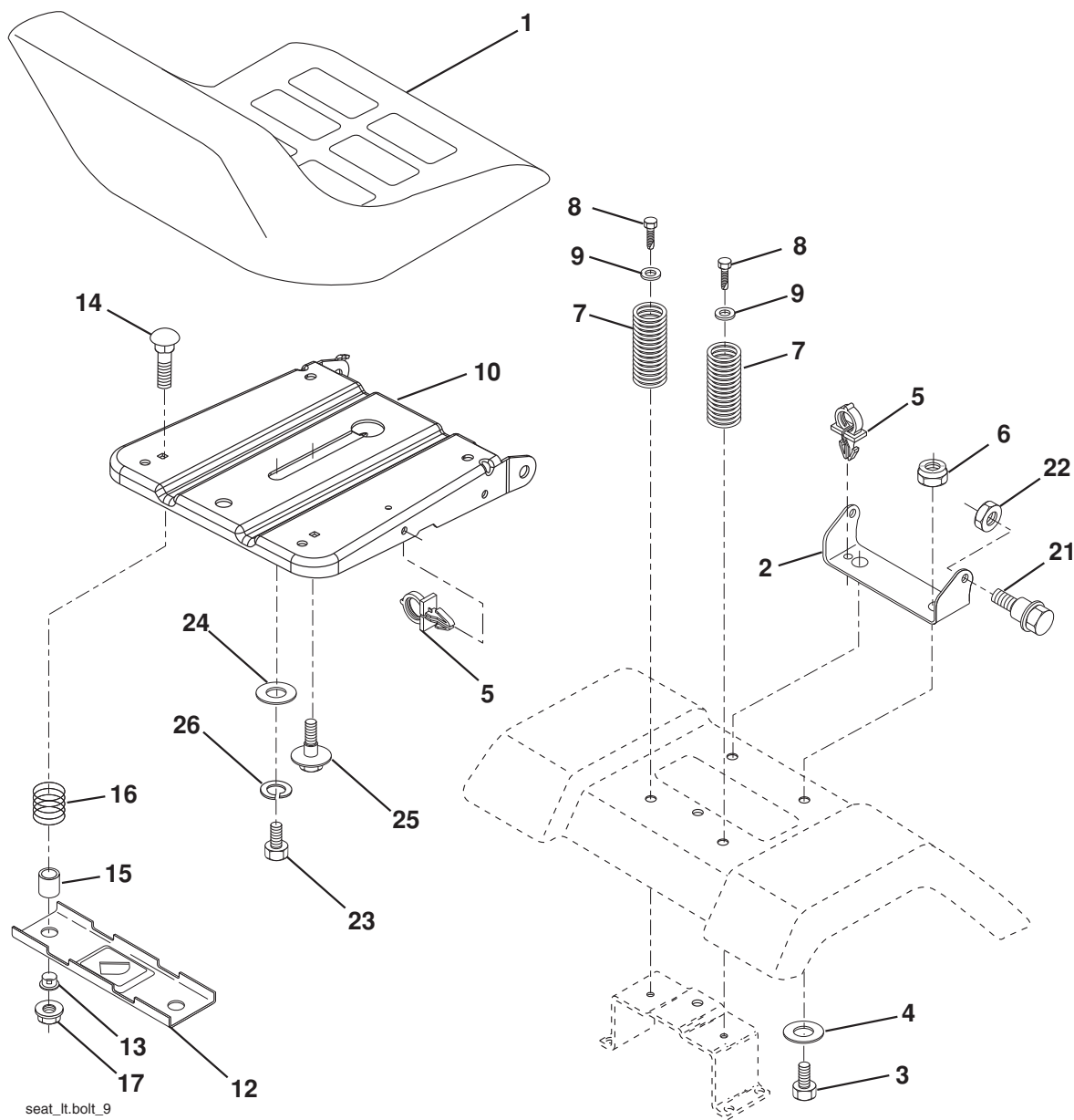
KEY NO.	PART NO.	DESCRIPTION
1	159460	Wire Asm Inner/Sprg w/plunger
2	159471	Shaft Asm Lift RH
3	105767X	Pin Groove 1 500 Zinc
4	12000002	E Ring #5133-62
5	19211621	Washer 21/32 x 1 x 21 Ga.
6	120183X	Bearing Nylon Blk 629 Id
7	125631X	Grip Handle
8	124526X	Button Plunger Black
11	139865	Link Lift LH Fixed Length
12	139866	Link Lift RH Fixed Length
13	4939M	Retainer Spring

KEY NO.	PART NO.	DESCRIPTION
15	173288	Link Front
16	73350800	Nut Jam Hex 1/2-13 unc
17	175689	Trunnion
18	73800800	Nut Lockw/Wsh 1/2-13 unc
19	139868	Arm Suspension Rear
20	194209	Pin Cotter 7/16 Bow Tie Lock
31	169865	Bearing Pvt Lift
32	73540600	Nut Crownlock 3/8-24

**NOTE:** All component dimensions given in U.S. inches  
1 inch = 25.4 mm.



**TRACTOR - - MODEL NUMBER PO17542LTX (96012008300), PRODUCT NO. 960 12 00-83 SEAT**



KEY NO.	PART NO.	DESCRIPTION
1	401042	Seat
2	140551	Bracket Seat Pivot
3	71110616	Bolt Hex 3/8 - 16 x 1
4	19131610	Washer 13/32 x 1 x10 Ga.
5	145006	Clip Push-In Hinged
6	73800600	Nut Lock Hex w/Ins 3/8 - 16
7	124181X	Spring Seat Cprsn 2 250 Blk Zi
8	17000616	Screw 3/8-16 x 1.5
9	19131614	Washer 13/32 x 1 x 14 Ga.
10	195530	Pan Pnt Seat
12	174648	Bracket Pnt Mounting Switch
13	121248X	Bushing Snap Blk Nyl

KEY NO.	PART NO.	DESCRIPTION
14	72050412	Bolt Rdhd Sht Nk 1/4 - 20 x 1 -1/2
15	134300	Spacer Split .28 x .96
16	121250X	Spring Cprsn
17	123976X	Nut Lock 1/4 Lge Flg
21	171852	Bolt Shoulder 5/16-18 unc-2A
22	73800500	Nut Lock Hex w/Ins 5/16 - 18
23	71110814	Bolt Hex
24	19171912	Washer 17/32 x 1-3/16 x 12 Ga.
25	127018X	Bolt Shoulder 5/16-18 x .62
26	10040800	Washer Lock Hvy Hlcl Spr 1/2

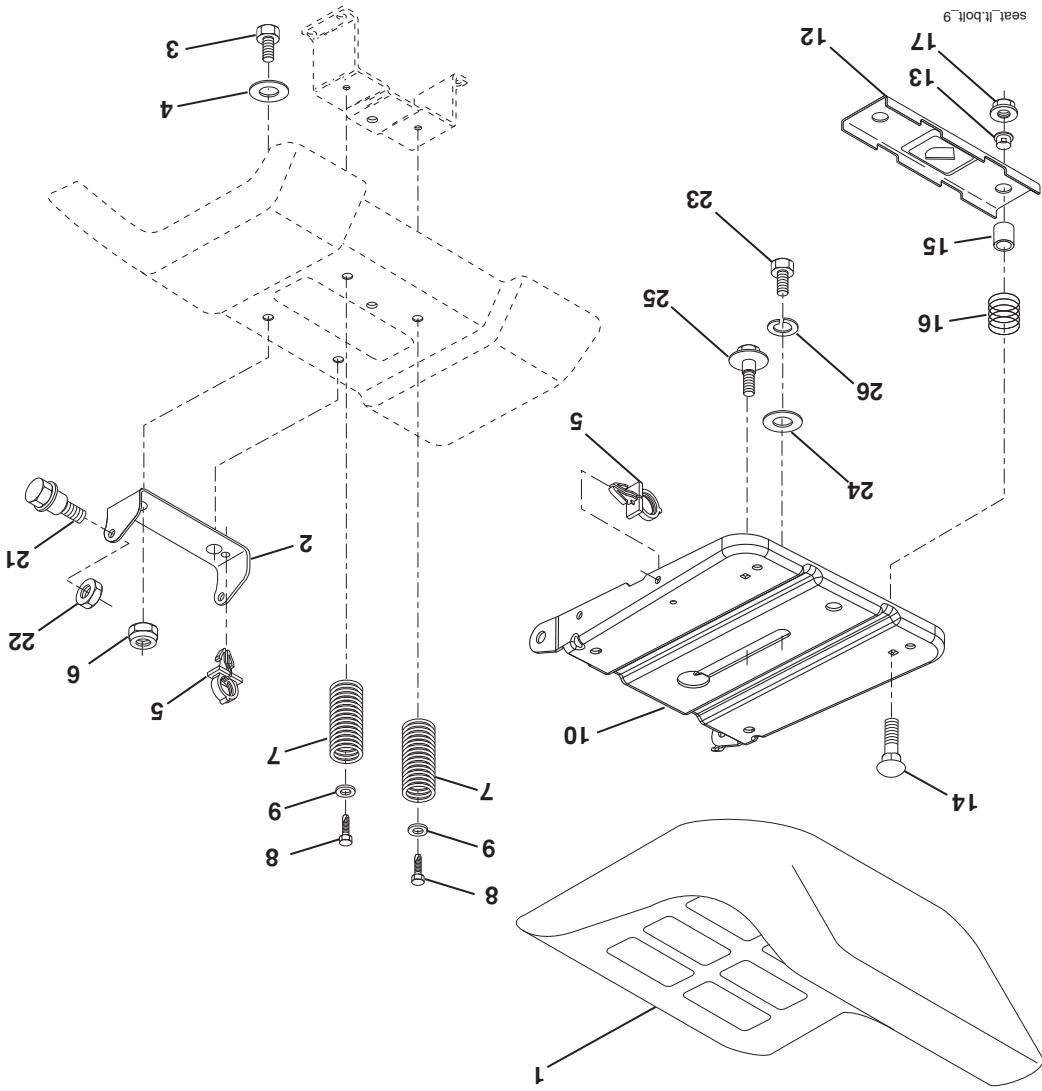
**NOTE:** All component dimensions given in U.S. inches  
1 inch = 25.4 mm.





TRACTEUR - - NO. DE MODÈLE PO17542LTX (96012008300); NO. DE PRODUIT 960 12 00-83

ENSEMBLE DU SIÈGE



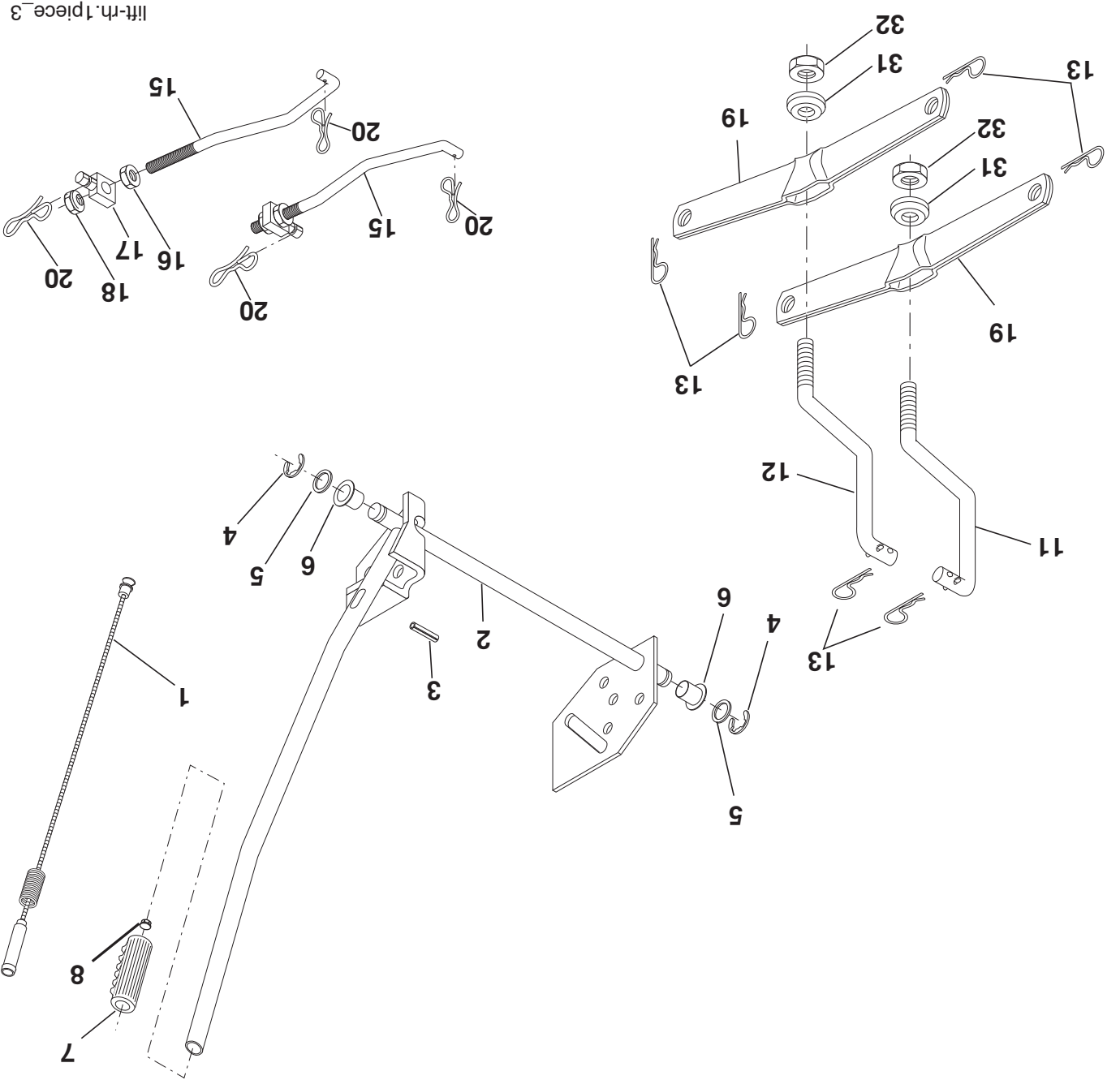
NO. DE PIÈCE	DESCRIPTION
--------------	-------------

1	Siège
2	Support de pivot de siège
3	Boulon
4	Rondelle 13/32 x 3/4 x 10 Ja.
5	Collier pressé
6	Ecrou
7	Ressort de compression de siège
8	Vis 3/8-16 x 1,5
9	Rondelle 13/32 x 1 x 14 Ja.
10	Cuvette de siège
11	Support de montage de l'interrupteur
12	Douille de bouton-pression

NO. DE PIÈCE	DESCRIPTION
--------------	-------------

14	Boulon de chariot 1/4-20 x 1-1/2
15	Entroise fendue
16	Ressort de compression
17	Ecrou frein à bride grande 1/4 Cat. 5
21	Boulon à épaulement 5/16-18 unc-2A
22	Ecrou
23	Boulon H
24	Rondelle 17/32 x 1-3/16 x 12 Ja.
25	Boulon à épaulement 5/16-18 x 62
26	Rondelle frein

REMARQUE: Toutes les dimensions de composant sont données en pouces E.-U. -- 1 pouce = 25,4 mm.



liff-rh. 1piece\_3

NO. NO.	DE	PIECE	DESCRIPTION
1	159460		Ensemble du fil intérieur du levier de levage
2	159471		Goupille cannelée
3	105767X		Ensemble de l'arbre de levage
4	12000002		Bague en E n°5133-62
5	19211621		Rondelle 21/32 x 1 x 21 Ja.
6	120183X		Palier en Nylon
7	125631X		Poignée cannelée du levier
8	124526X		Bouton de plongeur
11	139865		Raccord de levage C.G.
12	139866		Raccord de levage C.D.
13	4939M		Ressort de retenue

NO. NO.	DE	PIECE	DESCRIPTION
15	173288		Raccord antérieur
16	73350800		Contre-écrou 1/2-13 unc
17	175689		Touillon
18	73800800		Écrou frein 1/2-13 unc
19	139868		Bras de suspension arrière
20	194209		Goupille fendue
31	169865		Palier de pivot de levage
32	73540600		Écrou auto-serrant 3/8-24

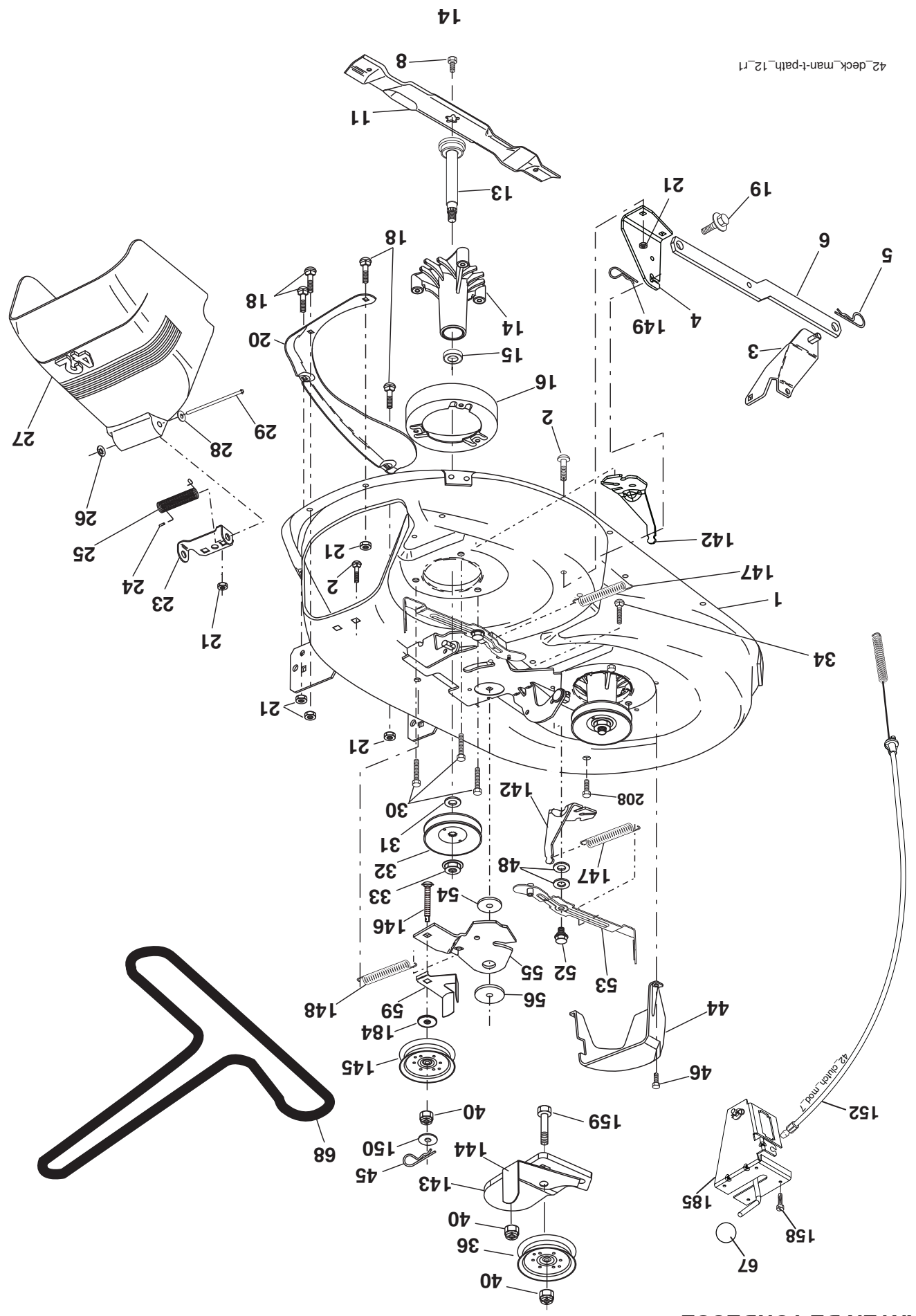
**REMARQUE:** Toutes les dimensions de composant sont données en pouces E.-U. - - 1 pouce = 25,4 mm.

TRACTEUR - - NO. DE MODÈLE PO17542LTX (96012008300), NO. DE PRODUIT 960 12 00-83  
 CARTER DE TONDEUSE

NO. DÉ	PIECE	DESCRIPTION	NO. DÉ	PIECE	DESCRIPTION
1	165892	Ensemble de carter de tondeuse 42"	33	400234	Écrou frein
2	72140506	Boulon	34	72110612	Boulon 3/8-16 x 1-1/2 Cat. 5
3	138017	Ensemble du support de barre de non	36	131494	Pouille de galet-tendeur plat
4	165460	Ensemble du support de barre de non	40	73900600	Écrou frein 3/8-16
5	4939M	Ressort de retenue	44	140088	Protecteur de mandrin C.G.
6	178024	Barre de balancement	45	4497H	Arrêt
8	193003	Boulon/Rondelle Ensemble 7/16-20 unft	46	137729	Vis à filets laminés 1/4-20 x 5/8 T
11	138971	Lame de portance élevée 42"/107cm (Les lames suivantes sont disponibles)	48	133944	Rondelle durcie
--	134149	Hi-Lift (pour mettre en sac ou déverser)	52	139888	Boulon à épaulement 5/16-18 unc
--		Lame déchiqueteuse standard 42"/107cm (pour les tondeuses déchique-	53	184907	Coussin de l'ensemble du levier de frein
--	139775	Lame déchiqueteuse de qualité supérieure seulement)	54	178515	Rondelle durcie
		meilleure résistance à l'usure lors du	55	155046	Bras de galet-tendeur
		déchiquetage)	56	165723	Entroise de retenue
		Ensemble de l'arbre	59	141043	Protecteur du galet-tendeur TVV
		Boîtier du mandrin éventé	67	106932X	Bouton
		Roulement à billes du mandrin	68	144959	Courroie trapézoïdale de tondeuse 42"
		Dispositif du courant à air de tondeuse	142	195784	Ressort
		Boulon de chariot 5/16-18 x 5/8	143	157109	Support 42"
		Boulon à épaulement	144	158634	Guide-courroie
		Chicane	145	165888	Pouille du galet-tendeur
		Écrou	146	171977	Galet-tendeur
		73680500	147	131335	Ressort de traction
		177563	148	169022	Ressort de retenue
		Support de déflecteur de décharge de	149	165898	Ressort de retenue
		tondeuse 42"	150	19091210	Rondelle 9/32 x 3/4 x 10 Ja.
		Capuchon de manchon	152	169676	Câble d'embrayage
		Ressort de torsion de déflecteur	158	17720408	Vis 1/4-20 x 1/2
		110452X	159	72140614	Boulon 3/8-16 unc x 1-3/4
		Rondelle frein	184	19131410	Rondelle 13/32 x 7/8 x 10 Ja.
		130968X428	185	188234	Câble d'embrayage
		Déflecteur de décharge	208	17670608	Vis 3/8-16 x 1/2
27	19111016	Rondelle 11/32 x 5/8 x 16 Ja.	--	192870	Ensemble du mandrin (Inclut boîtier,
28	131491	Tige à charnière	--		ensemble arbre, et palier seulement -
29	173984	Vis	--		pouille/écrou/rondelle et lame, boulon/
30	173984	Vis	--		rondelle ne pas inclut)
31	187690	Rondelle d'entretoisement de tondeuse	--	418031	Ensemble du carter de tondeuse complet
32	153535	Pouille de mandrin			

**REMARQUE:** Toutes les dimensions de composant sont données en pouces E.U. --1 pouce = 25,4 mm.

TRACTEUR - - NO. DE MODELE PO17542LTX (96012008300), NO. DE PRODUIT 960 12 00-83  
 CARTER DE TONDEUSE



42\_deck\_man-t-path\_12\_r1

NO.	DE	REF.	DESCRIPTION
NO.	DE	PIECE	

1		170551	Commande des gaz
2		17720408	Vis taraudée 1/4-20 x 1/2
3		-----	Moteur Briggs-No. de modèle 31C707
4		137352	(Commandez les pièces par suite du fabricant du moteur)
13		165291	Garniture
14		148456	Tuyau
23		169837	Pare-chaleur
29		137180	Pare-étincelles
31		407516	Réservoir d'essence
32		197725	Bouchon de réservoir d'essence
33		123487X	Bride de serrage du tuyau
37		401137	Conduite d'essence-20 po.
38		181654	Bouchon de vidange d'huile
40		124028X	Douille de bouton-pression
44		17670412	Vis à tête rondelle à filets laminés 1/4-20 x 3/4
45		17000612	Vis 3/8-16
46		19091416	Rondelle 9/32 x 7/8 x 16 Ja.
72		192334	Vis 5/16-18 x 3/4
78		17060602	Vis 3/8-16 x 1-1/4
81		73510400	Ecrou 1/4-20 unc

**REMARQUE:** Toutes les dimensions de composant sont données en pouces E.-U. — 1 pouce = 25,4 mm.

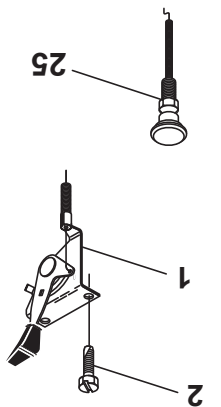
Pour des pièces de service et de rechange de moteur, réclamez le numéro de téléphone libre pour votre fabricant de moteur énuméré ci-dessous:

Briggs & Stratton 1-800-233-3723

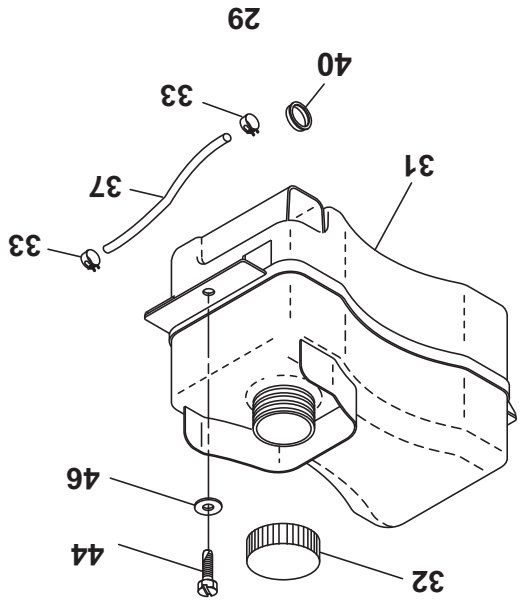
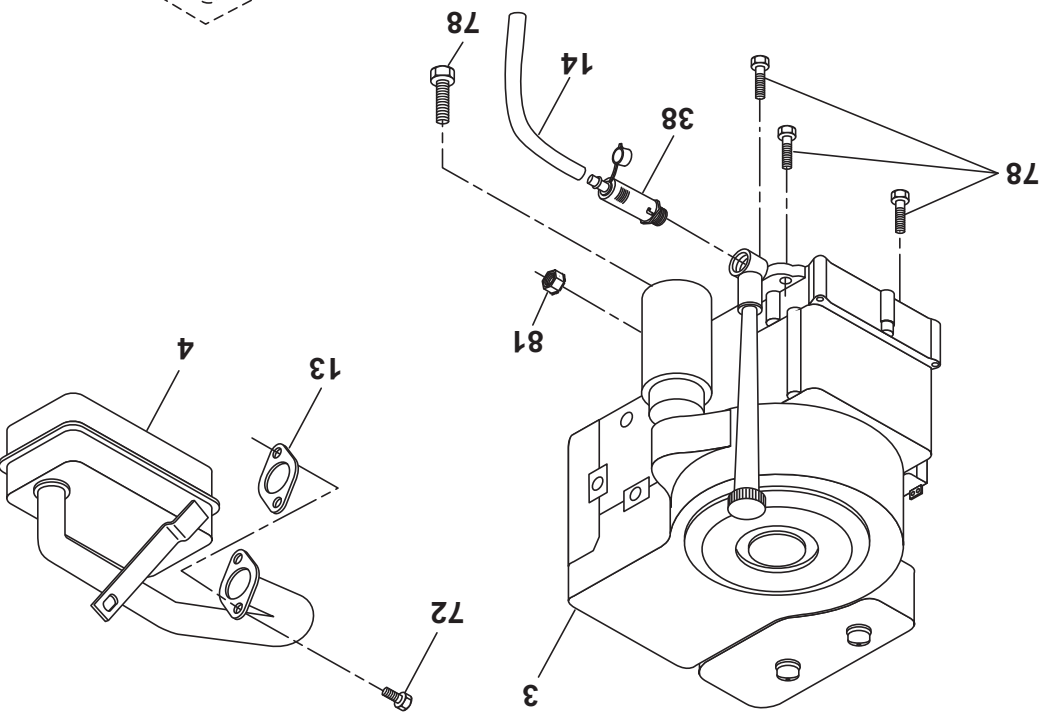
### L'Information de Classement de Pouvoir de Moteur

Le pouvoir brut évaluant pour les modèles de moteur de gaz individuels est conformément étiqueté à SAE (la Société d'ingénieurs Automoteurs) le code J1 1940 (le Petit Pouvoir de Moteur & le Moment de torsion Évaluant la Procédure), et l'exécution de classement est obtenue et a été corrigée conformément à SAE J1995 (la Révision 2002-5). Le véritable pouvoir de moteur brut sera plus bas et affecté par, entre autres choses, les conditions d'opération ambiantes et le moteur-à-la variabilité de moteur. Donné les deux le tab-leau large de produits sur lesquels moteurs est placé et la variété de problèmes écologiques applicables à l'opération de l'équipement, le moteur de gaz ne développera pas le pouvoir de grosse évalué quand utilisé dans un morceau donné d'équipement de pouvoir (la puissance véritable, « sur place » ou nette). Cette différence est en raison d'une assortment de facteurs inclut, mais pas limité à, les accessoires (le nettoyeur d'air, l'échappement, chargé, le refroidissement, le carburateur, la pompe de carburant, etc.), les limitations d'application, les conditions d'opération ambiantes (la température, l'humidité, l'altitude), et le moteur-à-la variabilité de moteur. En raison des limitations de fabrication et capacité, Briggs & Stratton peut substituer un moteur de plus haut pouvoir évalué pour ce moteur de Feuilleton.



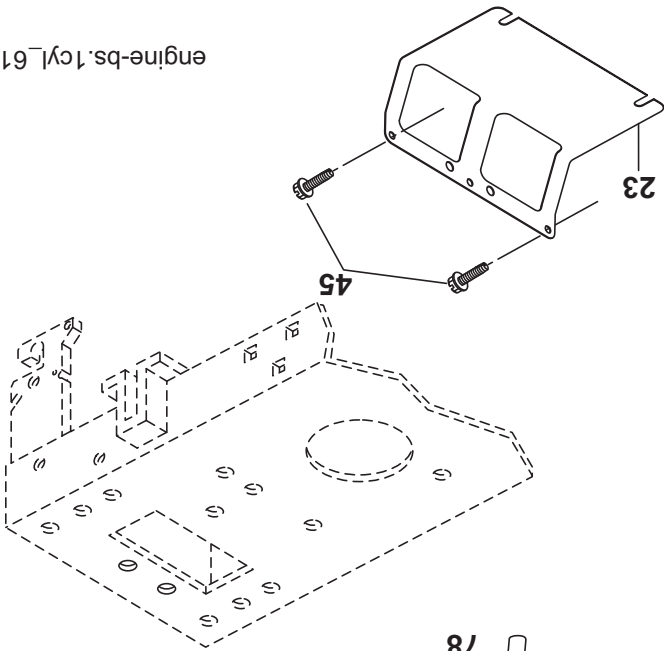


25



ÉQUIPEMENT FACULTATIF  
PARE-ÉTINCELLES

29



engine-bs.1cyl\_61

TRACTEUR - - NO. DE MODÈLE PO17542LTX (96012008300); NO. DE PRODUIT 960 12 00-83  
ENSEMBLE DE LA DIRECTION

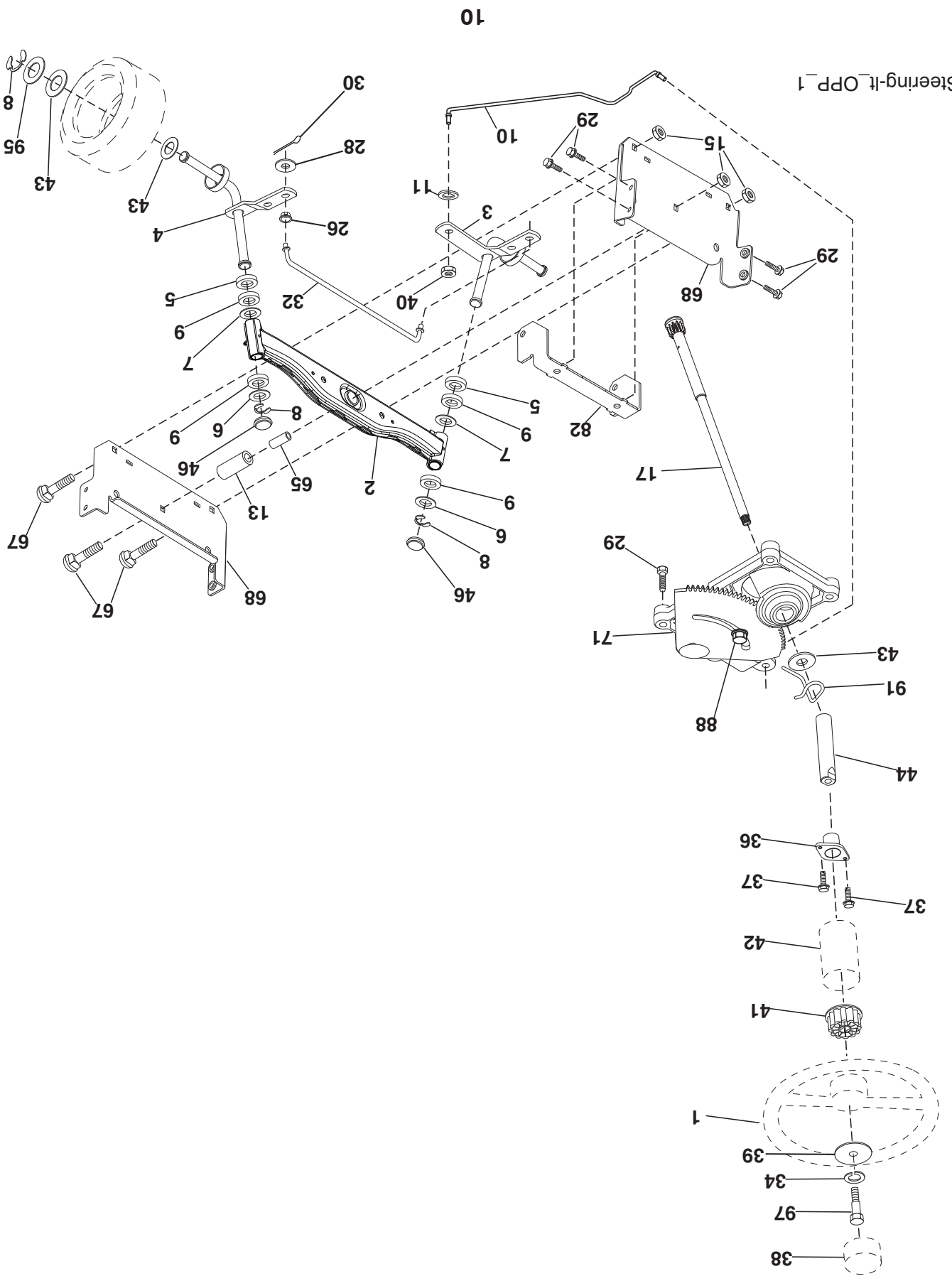
NO. DÉ NO.	REF PIECE	DESCRIPTION
1	186780	Volant de direction
2	195673	Ensemble d'essieu antérieur
3	169840	Ensemble de broche C.G
4	169839	Ensemble de broche C.D.
5	6266H	Pallier de butée
6	121748X	Rondelle 25/32 x 1 5/8 x 16 Ja.
7	19272016	Rondelle 27/32 x 1-1/4 x 16 Ja.
8	1200029	Rondelle clip
9	3366R	Pallier de colonne de direction
10	175121	Barre de direction
11	10040600	Rondelle frein 3/8
13	136518	Entretoise
15	145212	Ecroû frein à collet
17	190753	Ensemble de l'arbre de direction
26	126847X	Douille de barre d'accouplement
28	19131416	Rondelle 13/32 x 7/8 x 16 Ja.
29	17000612	Vis 3/8-16 x 3/4
30	76020412	Goupille
32	192757	Barre d'accouplement
34	10040500	Rondelle frein 5/16
36	155099	Douille de direction
37	152927	Vis à chapeau n°10-32 x 4 x 3/8
38	192916	Insert de chapeau du volant de direction
39	19113812	Rondelle 11/32 x 2
40	73540600	Ecroû auto-serrant 3/8-24
41	186737	Adaptateur du volant de direction
42	145054X428	Manchon de l'arbre de direction
43	121749X	Rondelle 25/32 x 1 1/4 x 16 Ja.
44	190752	Direction de rallongement
46	121232X	Chapeau de broche
65	414736	Essieu d'entrotoise
67	72110618	Boulon 3/8-16 x 2-1/4
68	169827	Moise
71	175146	Ensemble de direction
82	199978	Support
88	175118	Boulon 7/16-20
91	175553	Pince
95	188967	Rondelle .793 x 1.637 x 060
97	74780564	Boulon 5/16-18 x 4

REMARQUE: Toutes les dimensions de composant sont données en pouces E.-U. -- 1 pouce = 25,4 mm.

TRACTEUR - - NO. DE MODELE PO17542LTX (96012008300), NO. DE PRODUIT 960 12 00-83

ENSEMBLE DE LA DIRECTION

Steering-It\_OPF\_1

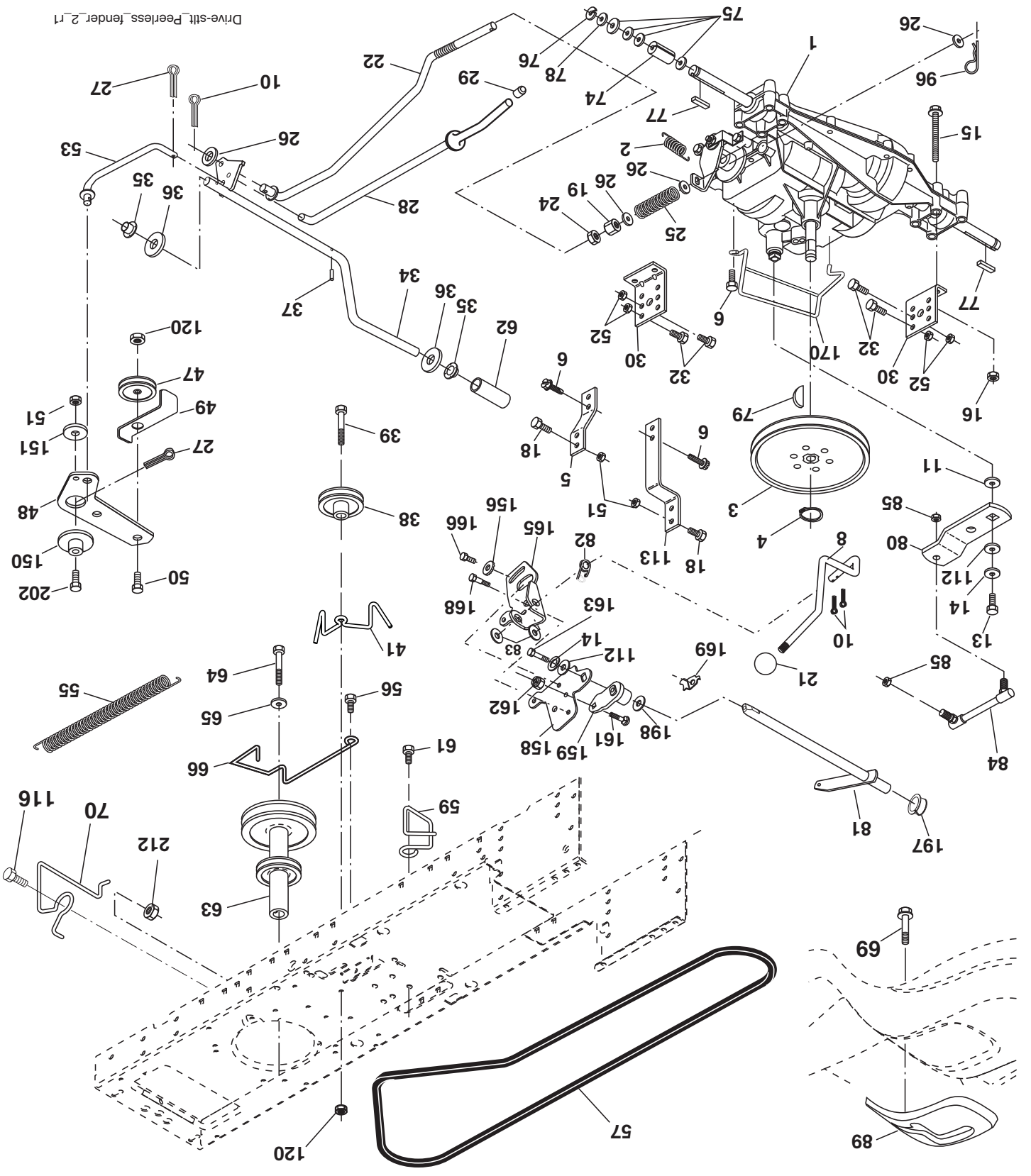


**TRACTEUR - - NO. DE MODÈLE PO17542LTX (96012008300), NO. DE PRODUIT 960 12 00-83**

**ENTRAÎNEMENT**

NO. DE RÉF.	DESCRIPTION	NO. DE PIÈCE	NO. DE RÉF.	DESCRIPTION	NO. DE PIÈCE
1	Transmission Dana D4360-140	----	61	Vis 3/8-16 x .875	17120614
	(Commandez les pièces par suite du fabricant du transaxle)		62	Couvercle de pédale	88883R
2	146682		63	Poulie du moteur	175410
3	123666X		64	Boulon 7/16-20 UNF x 4 Cat. 8	173937
4	12000028		65	Rondelle frein hélicoïdale 7/16	10040700
5	121520X		66	Guide-courroie de moteur	154778
6	17000512		69	Vis 1/4 x 1/2 unc	134683
8	192706		70	Guide-courroie d'entraînement C.D.	109502X
10	76020416		74	Entretoise	121749X
11	105701X		75	Rondelle 25/32 x 1 1/4 x 16 Ja.	12000001
13	7450412		76	Bague en E	123583X
14	10040400		77	Cle carrée	121748X
15	74490544		78	Rondelle 25/32 x 1 5/8 x 16 Ja.	2228M
16	73800500		79	Cle	131488
18	74780616		80	Bras d'entraînement de la transmission	165594
19	73800600		81	Ensemble de l'arbre	165711
21	106933X		82	Ressort de retenue	19171216
22	130804		83	Rondelle 17/32 x 3/4 x 16 Ja.	166229
24	73350600		84	Raccord	150360
25	106888X		85	Ecroû frein 1/4-28	192054X428
26	19131316		89	Panneau du levier	4497H
27	76020412		96	Ressort de Retenue	19091210
28	175765		112	Rondelle 9/32 x 3/4 x 10 Ja.	127285X
29	71673		113	Attache de torsion	72140608
30	174973		116	Boulon 3/8-16 x 1	73900600
32	74760512		120	Ecroû 3/8-16	175456
34	17578		150	Entretoise	19133210
35	120183X		151	Rondelle 13/32 x 2 x 10 Ja.	166002
36	19211616		156	Rondelle 5/16 ID x 1.0 x .125	165589
37	1572H		158	Support	183900
38	179114		159	Moyeu	72140406
39	72110622		161	Boulon 1/4-20 x 3/4 Cat. 5	73680400
41	175556		162	Ecroû auto-serrant 1/4-20 unc	74780416
47	127783		163	Boulon 1/4-20 unc x 1 Cat. 5	165623
48	154407		165	Support	17490510
49	123205X		166	Vis 5/16-18 x 5/8	165492
50	72110612		168	Boulon 5/16-18 x .561	165580
51	73680600		169	Plaque	187414
52	73680500		170	Guide-courroie	169613
53	199652		197	Douille de nylon	169593
55	105709X		198	Rondelle	72110614
56	17060620		202	Boulon 3/8-16 x 1-3/4 Ja. 5	145212
57	401603		212	Ecroû H	
59	169691				
	95.68				
	Guide-courroie de châssis				
	Courroie trapézoïdale d'entraînement				
	95.68				
	401603				
	Vis 3/8-16 x 1-1/4				
	Raccord d'embrayage				
	105709X				
	Ressort de rappel d'embrayage				
	199652				
	Ecroû				
	73680500				
	Ecroû				
	73680600				
	Boulon 3/8-16 x 1-1/2 Cat. 5				
	72110612				
	Guide-courroie à ressort				
	123205X				
	Ensemble du levier coude				
	154407				
	Poulie de galet-tendeur V				
	127783				
	Guide-courroie				
	175556				
	Boulon 3/8-16 x 2-3/4				
	72110622				
	Poulie de galet-tendeur plate				
	179114				
	Goupille Mécanicus				
	1572H				
	Rondelle				
	19211616				
	Palier en nylon				
	120183X				
	Ens. de l'arbre de pédale				
	17578				
	Boulon				
	74760512				
	Support de transmission				
	174973				
	Chapeau de frein de stationnement				
	71673				
	Tige de frein de stationnement				
	175765				
	Goupille				
	76020412				
	Rondelle				
	19131316				
	Ressort de tige de frein				
	106888X				
	Ecroû 3/8-16				
	73350600				
	Tige de frein				
	130804				
	Boulon				
	106933X				
	Ecroû 3/8-16				
	73800600				
	Boulon 3/8-16 x Cat. 5				
	74780616				
	Ecroû 5/16-18				
	73800500				
	Boulon 5/16-18 Cat. 5				
	74490544				
	Rondelle 1/4				
	10040400				
	Boulon 1/4-28 Cat. 8				
	7450412				
	Rondelle de plaque				
	105701X				
	Goupille				
	76020416				
	Tige de changement de vitesse				
	192706				
	Vis 5/16-18 x 3/4				
	17000512				
	Bande de couple				
	121520X				
	Bague de fermeture				
	12000028				
	Poulie de transmission				
	123666X				
	Ressort de traction de frein				
	146682				

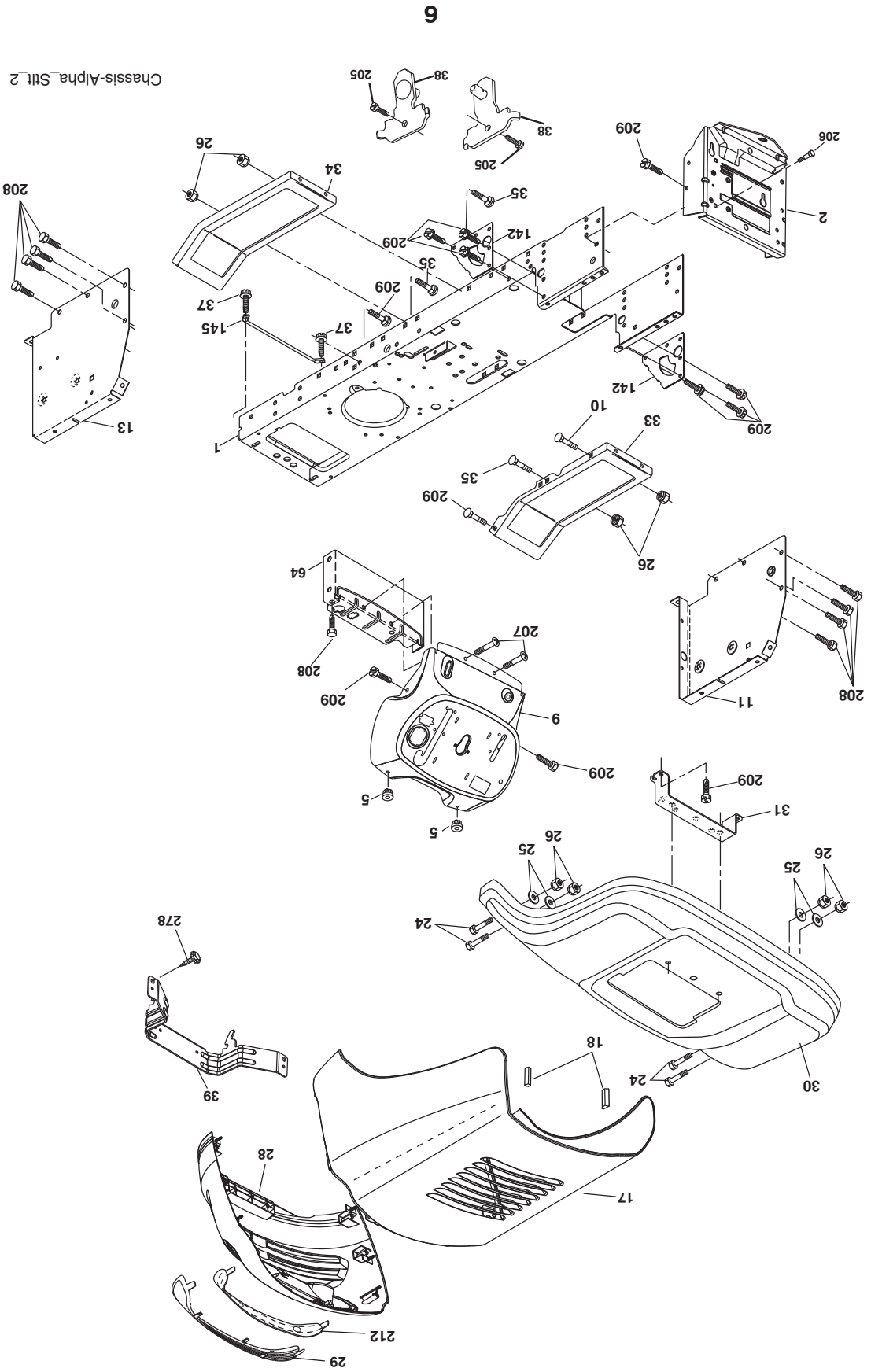
**REMARQUE:** Toutes les dimensions de composant sont données en pouces E.-U. -- 1 pouce = 25,4 mm.



Drive-shaft Peerless\_fender\_2.r1

NO.	DE	REF	PIÈCE	DESCRIPTION
1		174619		Chassis
2		176554		Barre d'attelage
5		155272		Pare-chocs
9		193510X010		Tableau de bord
10		72140608		Boulon de chariot 3/8-16 x 1
11		174996		Panneau du tableau de bord C.G.
13		172105X010		Panneau du tableau de bord C.D.
17		187559X428		Ensemble du capot
18		184921		Coussin de capot
24		74780616		Boulon
25		19131312		Rondelle 13/32 x 13/16 x 12 Ja.
26		73800600		Écrou
28		187598		Calandre (comprise les nos. de réf 29 et 212)
29		187567X599		Lentille
30		192526X428		Aile
31		136619		Support d'aile
33		179716X428		Repose-pieds C.G.
34		179717X428		Repose-pieds C.D.
35		72110606		Boulon
37		17490508		Vis 5/16-18 x 1/2 TYT
38		175710		Ensemble de support
39		187568		Support
64		154798		Abaissez le tiret
142		175702		Renfort de plat
145		409167		Tige
205		17490608		Vis 3/8-16 x 1/2
206		170165		Boulon à épaulement
207		17670508		Vis 5/16-18 x 1/2
208		17670608		Vis 3/8-16 x 1/2
209		17000612		Vis 3/8-16
212		187569		Insert de lentille
278		416358		Vis #10 x 0.750 BOS Fil
--		5479J		Bouchon de bouton
--		187801		Bouchon

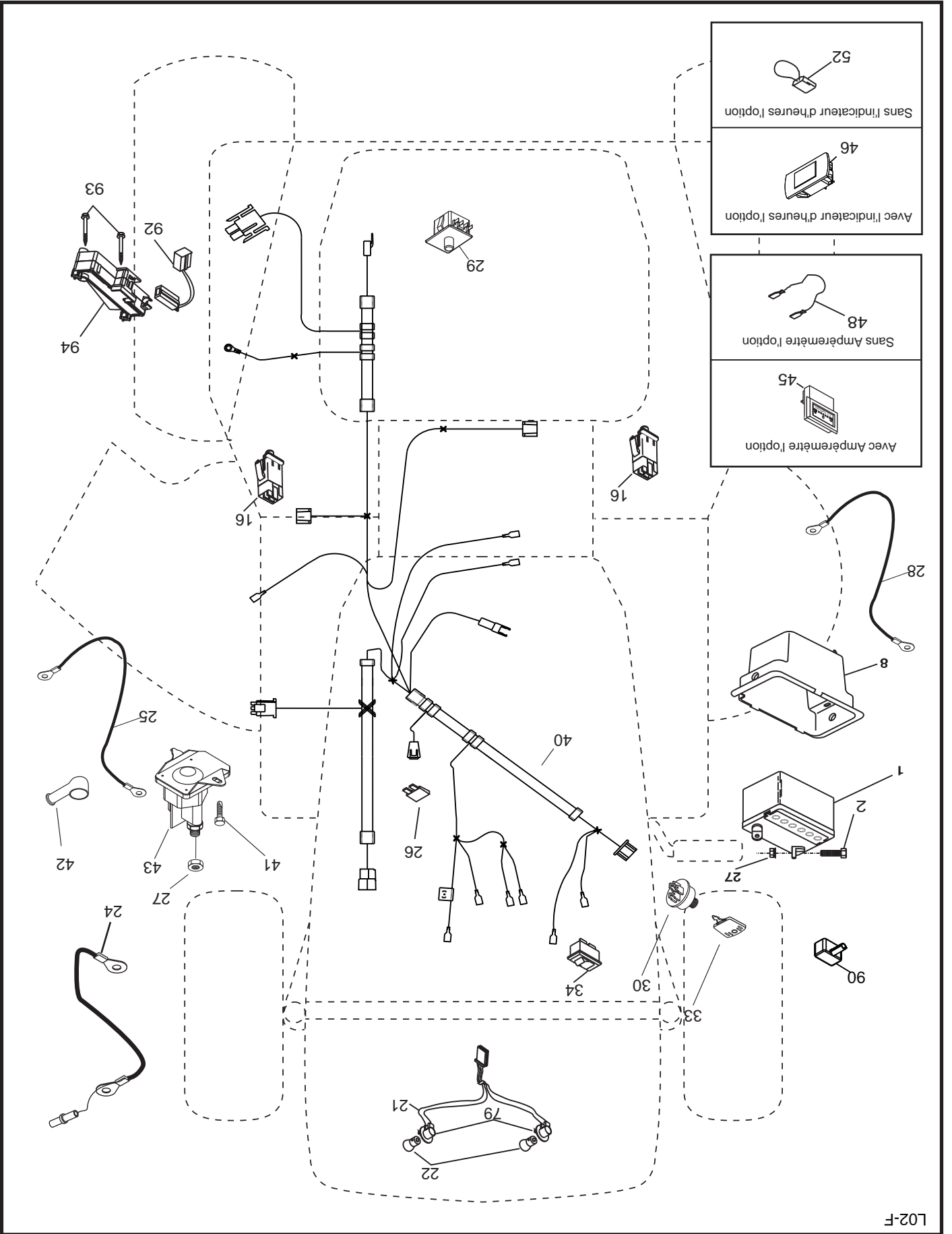
REMARQUE: Toutes les dimensions de composant sont données en pouces E.-U. -- 1 pouce = 25,4 mm.

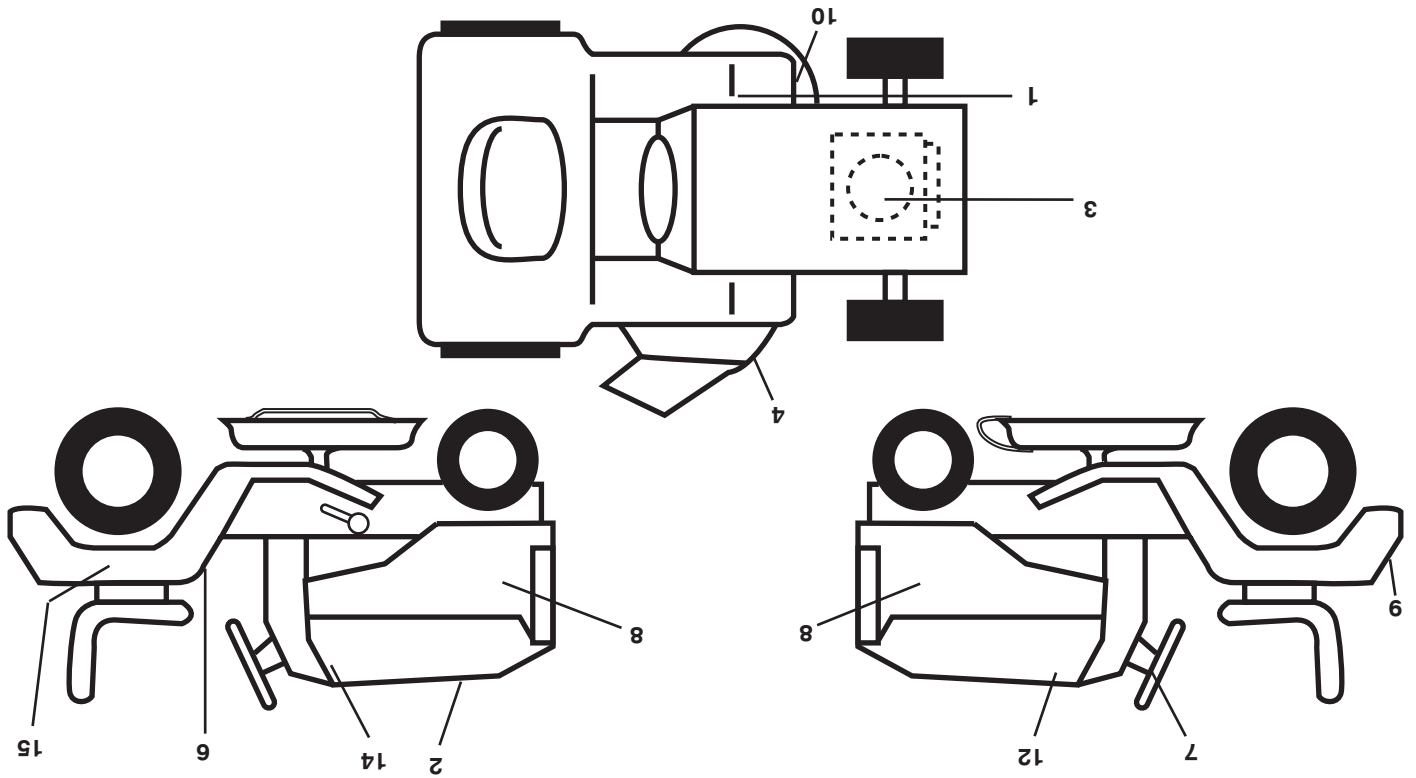


NO.	DE	REF.	PIECE	DESCRIPTION
1		163465	Batterie	Batterie
2		74760412	Boulon 1/4-20 unc x 3/4	Boulon 1/4-20 unc x 3/4
8		176689	Bac de batterie	Bac de batterie
16		176138	Interrupteur de verrouillage	Interrupteur de verrouillage
21		175688	Harnais des prises de courant des phares avec 4152J	Harnais des prises de courant des phares avec 4152J
22		4152J	Ampoule N°1156	Ampoule N°1156
24		4799J	Câble de batterie de 6 Ja de 11 po. - rouge	Câble de batterie de 6 Ja de 11 po. - rouge
25		146147	Câble de batterie de 6 Ja avec un fil de 16 po. - rouge	Câble de batterie de 6 Ja avec un fil de 16 po. - rouge
26		175158	Fusible de 20 AMP	Fusible de 20 AMP
27		73510400	Écrou à taquets 1/4-20 unc	Écrou à taquets 1/4-20 unc
28		4207J	Câble de masse de 6 Ja de 12 po. - noir	Câble de masse de 6 Ja de 12 po. - noir
29		192749	Interrupteur	Interrupteur
30		193350	Contacteur d'allumage	Contacteur d'allumage
33		411935	Clé/Chaîne	Clé/Chaîne
34		110712X	Interrupteur	Interrupteur
40		197428	Harnais des câbles d'allumage	Harnais des câbles d'allumage
41		71110408	Boulon 1/4-20 x 1/2	Boulon 1/4-20 x 1/2
42		131563	Couverture de borne	Couverture de borne
43		192507	Solénoïde	Solénoïde
48		140844	Adaptateur de l'ampèremètre rectangulaire	Adaptateur de l'ampèremètre rectangulaire
52		141940	Fil en forme de boucle de protection	Fil en forme de boucle de protection
79		175242	Douille Ensemble Ampoule Torsionserure	Douille Ensemble Ampoule Torsionserure
90		180449	Couverture	Couverture
92		196615	Harnais	Harnais
93		192540	Vis 10-14 x 2.0	Vis 10-14 x 2.0
94		191834	Inverse du module ROS	Inverse du module ROS

**REMARQUE:** Toutes les dimensions de composant sont données en pouces E.-U. --1 pouce = 25,4 mm.

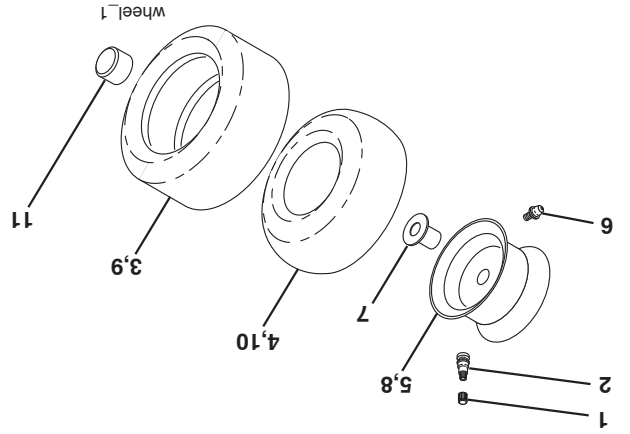






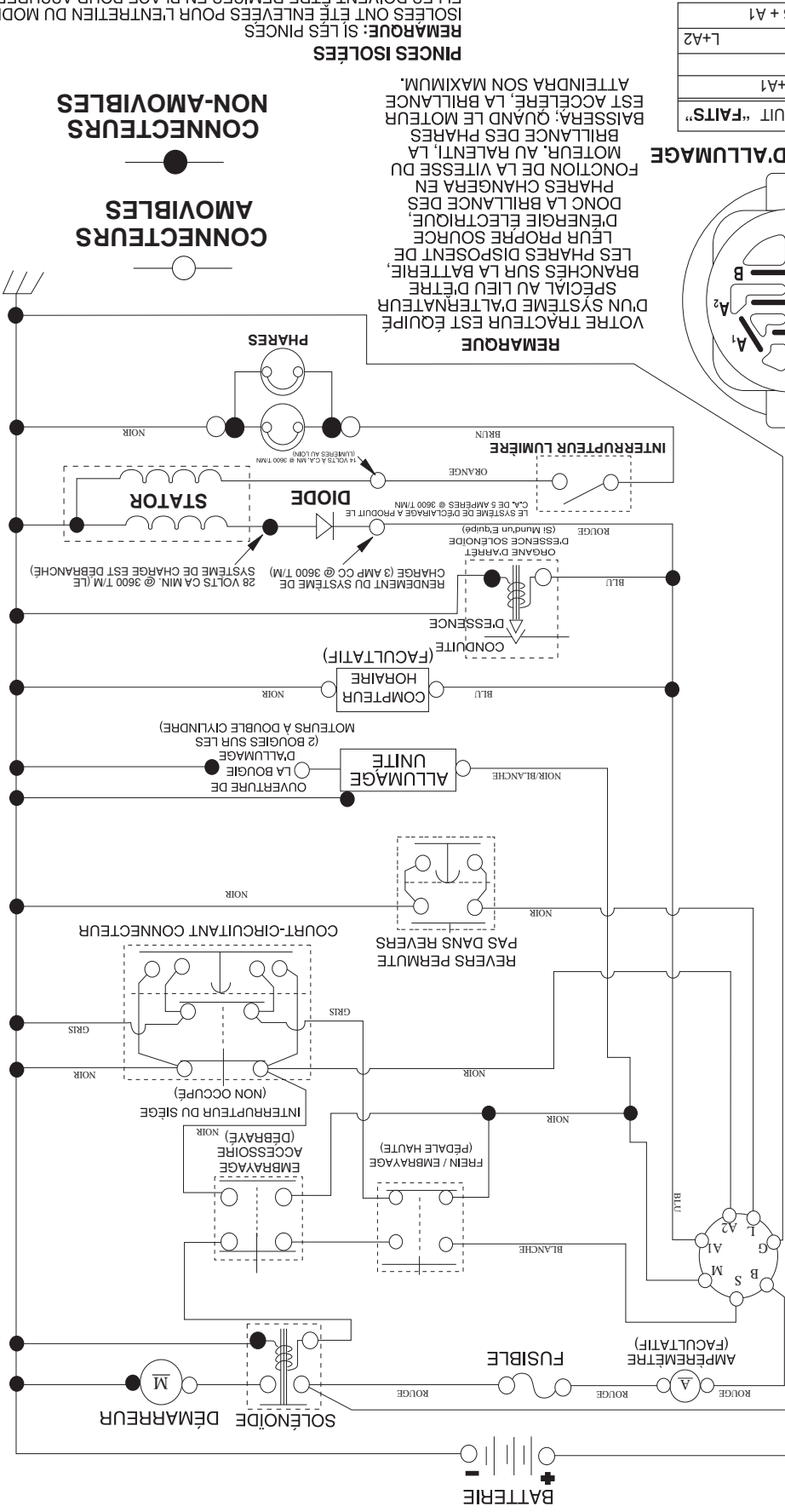
NO.	DÉ	REF.	DESCRIPTION	NO.	DÉ	REF.	DESCRIPTION
2	196315		Décalcomanie Remplacer	10	160396		Décalcomanie de schéma de courroie trapézoïdale
3	408819		Décalcomanie de C.V. du moteur	12	194543		Décalcomanie de capot C.D.
4	170563		Décalcomanie d'avertissement	14	194544		Décalcomanie de capot C.G.
6	411658		Décalcomanie d'aile danger anglais/ français	15	145005		Décalcomanie de danger/poison de la batterie
7	189705		Décalcomanie de l'insert du volant de direction	--	138311		Décalcomanie de poignée de lavage
8	188980		Décalcomanie	--	418745		Manuel du propriétaire (anglais/français)
9	158166		Décalcomanie du l'aile	--	418746		Manuel du pièces (anglais/français)

ROUES & PNEUS



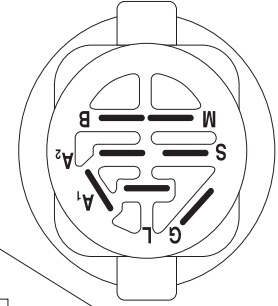
NO.	DÉ	REF.	DESCRIPTION	NO.	DÉ	REF.	DESCRIPTION
1	59192		Capuchon de valve de pneu	1	59192		Capuchon de valve de pneu
2	65139		Tubulure de valve	2	65139		Tubulure de valve
3	124157X		Pneu arrière	3	124157X		Pneu arrière
4	59904		Chambre à air antérieure (non fournie)	4	59904		Chambre à air antérieure (non fournie)
5	106732X624		Ensemble de la jante antérieure 6 po.	5	106732X624		Ensemble de la jante antérieure 6 po.
6	278H		Graisseur (roue antérieure seulement)	6	278H		Graisseur (roue antérieure seulement)
7	9040H		Palier à bride (roue antérieure seule- ment)	7	9040H		Palier à bride (roue antérieure seule- ment)
8	106108X624		Ensemble de la jante arrière 8 po.	8	106108X624		Ensemble de la jante arrière 8 po.
9	123976X		Pneu arrière	9	123976X		Pneu arrière
10	7152J		Chambre à air arrière (non fournie)	10	7152J		Chambre à air arrière (non fournie)
11	104757X428		Capuchon de l'essieu	11	104757X428		Capuchon de l'essieu
--	144334		Joint d'étanchéité de pneu (tube de .30L [10 oz.]	--	144334		Joint d'étanchéité de pneu (tube de .30L [10 oz.]

REMARQUE: Toutes les dimensions de composant sont données en pouces E.-U. -- 1 pouce = 25,4 mm.



POSITION	CIRCUIT "FAITS"
ARRÊT	M+G+A1
MARCHE/ALLUMAGE	B+A1
MARCHE	B+A1
DEMARRAGE	B + S + A1

CONTACTEUR D'ALLUMAGE



**REMARQUE**  
 VOTRE TRACTEUR EST ÉQUIPÉ D'UN SYSTÈME D'ALTERNATEUR SPÉCIAL AU LIEU D'ÊTRE BRANCHÉS SUR LA BATTERIE, LES PHARES DISPOSENT DE LEUR PROPRE SOURCE D'ÉNERGIE ÉLECTRIQUE, DONC LA BRILLANCE DES PHARES CHANGERA EN FONCTION DE LA VITESSE DU MOTEUR, AU RALENTI, LA BRILLANCE DES PHARES BAISSERA: QUAND LE MOTEUR EST ACCÉLÉRÉ, LA BRILLANCE ATTEINDRA SON MAXIMUM.

**PINCES ISOLÉES**  
 REMARQUE: SI LES PINCES ISOLÉES ONT ÉTÉ ENLEVÉES POUR L'ENTRETIEN DU MODÈLE, ELLES DOIVENT ÊTRE REMISES EN PLACE POUR ASSURER LE BON FONCTIONNEMENT DU CABLAGE.

CONNECTEURS AMOVIBLES  
 CONNECTEURS NON-AMOVIBLES



# LISTE DES PIÈCES ILLUSTRÉE

MFG. ID NO: 96012008300

NUMÉRO DE CATALOGUE DE CLIENT:

PO17542LTX

NO. DE PRODUIT 960 12 00-83