

ILLUSTRATED PARTS LIST

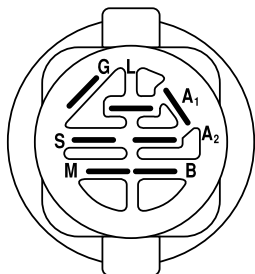
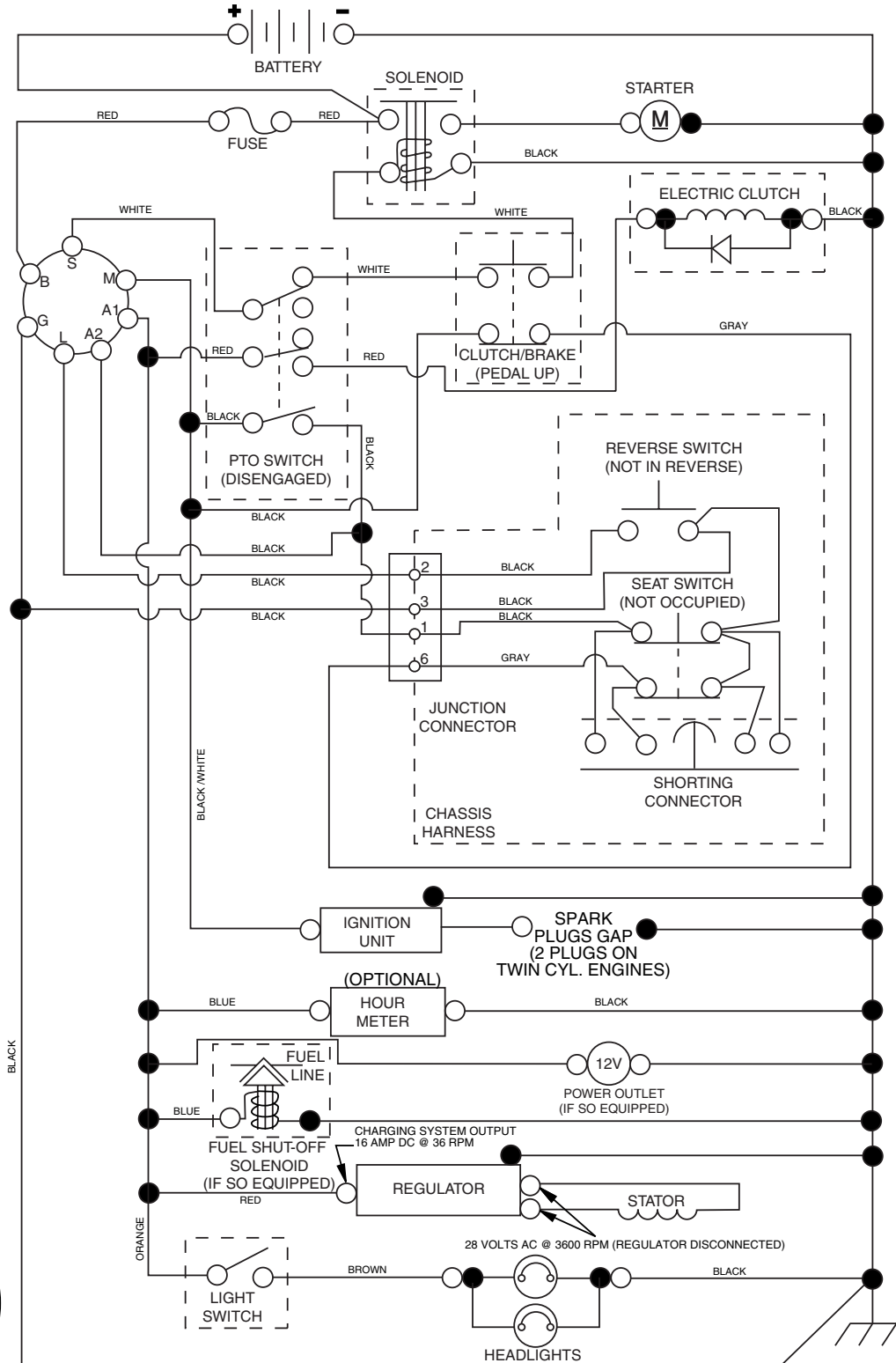
MFG ID NO. 96042000701

CUSTOMER CATALOG NO. PBGT26H54

PRODUCT NO. 960 42 00-07

TRACTOR - - MODEL NUMBER PBGT26H54 (96042000701), PRODUCT NO. 960 42 00-07 SCHEMATIC

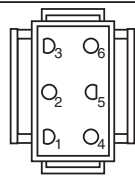
02929-194276_Regulated-Tex



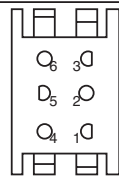
IGNITION SWITCH

POSITION	CIRCUIT	"MAKE"
OFF	M+G+A1	
RUN/OVERRIDE	B+A1	
RUN	B+A1	L+A2
START	B + S + A1	

02929



CHASSIS HARNESS CONNECTOR (MATING SIDE)



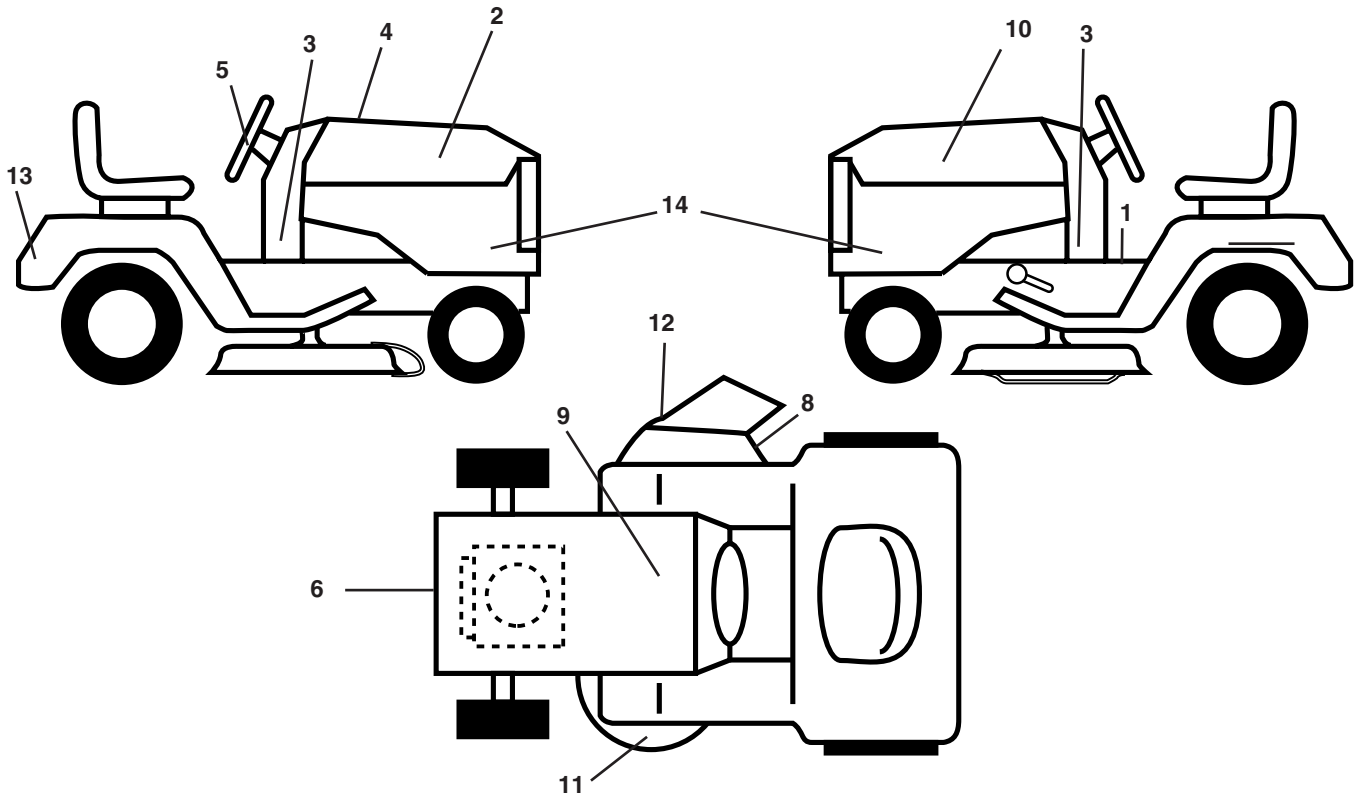
DASH HARNESS CONNECTOR (MATING SIDE)

WIRING INSULATED CLIPS
NOTE: IF WIRING INSULATED CLIPS WERE REMOVED FOR SERVICING OF UNIT, THEY SHOULD BE REPLACED TO PROPERLY SECURE YOUR WIRING.

● NON-REMOVABLE CONNECTIONS

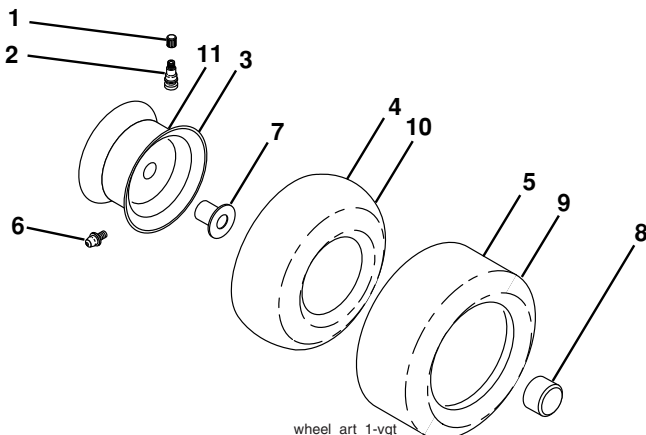
○ REMOVABLE CONNECTIONS

**TRACTOR - - MODEL NUMBER PBGT26H54 (96042000701), PRODUCT NO. 960 42 00-07
DECALS**



KEY NO.	PART NO.	DESCRIPTION	KEY NO.	PART NO.	DESCRIPTION
1	402104	Decal, Operator's	11	178502	Decal, Mower Caution
2	402355	Decal, Hood RH	12	170563	Decal, Mower Warning Keep Hand Away
3	402525	Decal, Dash Lower	13	172740	Decal, Fender
4	404424	Decal, Replacement	14	401131	Decal, Panel SD
5	172743	Decal, Strg Whl	--	166960	Decal, Bypass
6	402494	Decal, Engine HP	--	193279X428	Pad, Footrest, LH
8	198785	Decal, Mower Sch.	--	193101X428	Pad, Footrest, RH
9	145005	Decal, Battery Dnge/Poi	--	404973	Manual, Operator's (Eng & French)
10	402357	Decal, Hood LH	--	400778	Manual, Parts

WHEELS AND TIRES



KEY NO.	PART NO.	DESCRIPTION
1	59192	Cap, Valve, Tire
2	65139	Stem, Valve
3	106228X421	Rim Assembly, Front
4	59904	Tube, Front (Service Item Only)
5	106230X	Tire, Front
6	278H	Fitting, Grease (Front Wheel Only)
7	9040H	Bearing, Flange (Front Wheel Only)
8	104757X421	Cap, Axle (Front Wheel Only)
9	184708	Tire, Rear
10	7152J	Tube, Rear (Service Item Only)
11	400404X421	Rim Assembly, Rear
--	144334	Sealant, Tire (10 oz. Tube)

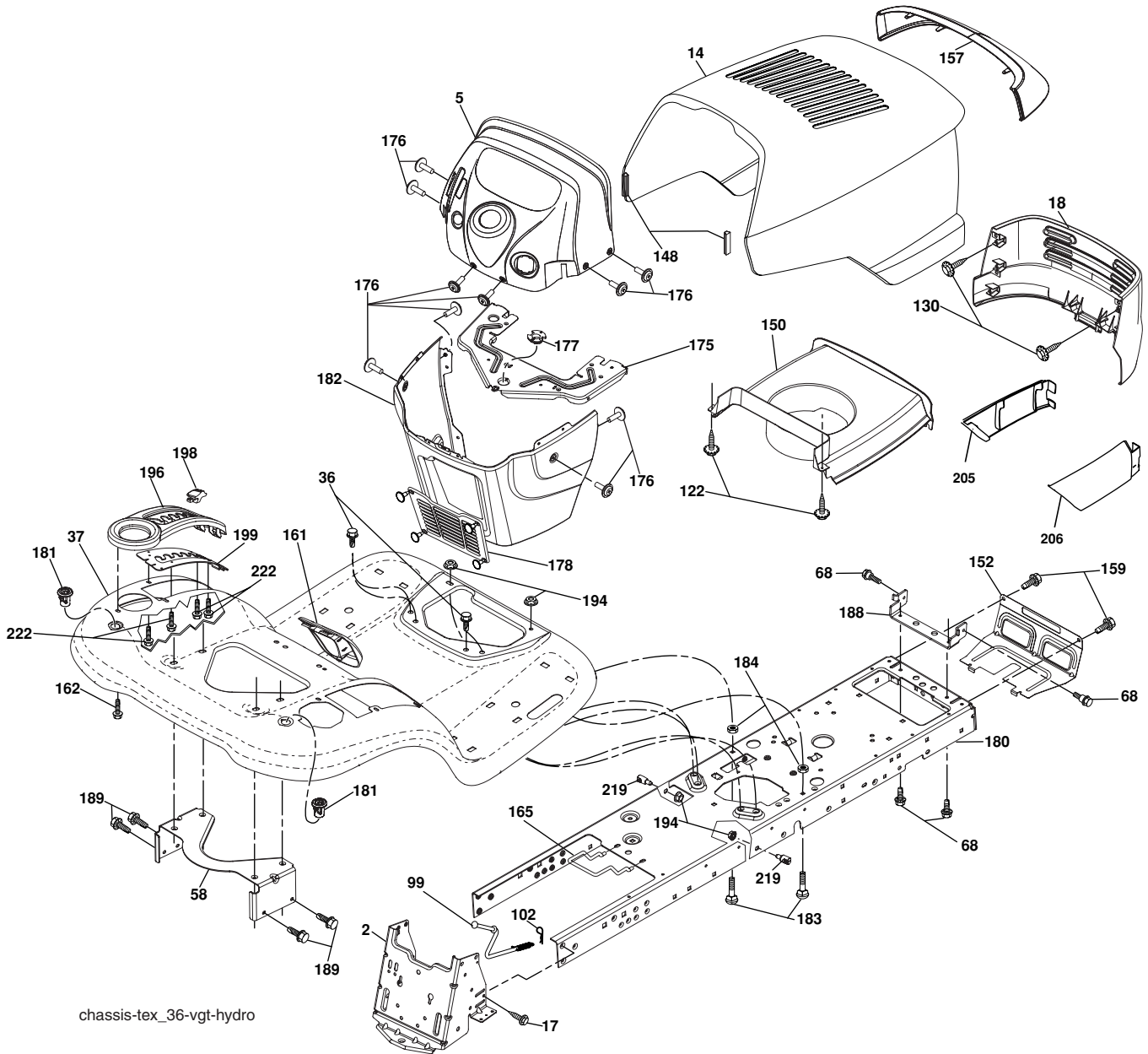
NOTE: All component dimensions given in U.S. inches
1 inch = 25.4 mm

**TRACTOR - - MODEL NUMBER PBGT26H54 (96042000701), PRODUCT NO. 960 42 00-07
ELECTRICAL**

KEY NO.	PART NO.	DESCRIPTION
1	144927	Battery
2	74760412	Bolt Hex Head 1/4-20 x 3/4
8	186491	Box Battery
16	176138	Switch Interlock Push-In
21	175688	Harness Socket Light W/4152J
22	4152J	Bulb Light
24	400253	Cable Battery
25	198893	Cable Start Red 17.5"
26	175158	Fuse
27	73510400	Nut Keps Hex 1/4-20 unc
28	145491	Cable, Ground
29	401545	Switch, Seat
30	193350	Switch, Ignition
33	140401	Key, Ignition
34	110712X	Switch Light / Reset
40	194276	Harness Ignition
41	17720408	Screw Thd Cut 1/4-20 x 1/2
42	131563	Cover, Terminal
43	192507	Solenoid
46	198138	Gauge Hourmeter
50	174653	Switch, PTO
55	17490512	Screw Thdrol 5/16-18 x 3/4 TYTT
59	400303	Outlet 12-Volt
71	400260	Harness Ign. Dash
79	175242	Bulbholder Asm. Incan Descent
90	400724	Cover Terminal Battery
91	190270	Strap Battery Mount Front
99	17670412	Screw Hexwsh Thdrol 1/4-20 x 3/4
100	19091416	Washer 9/32 x 7/8 x 16 Ga.

NOTE: All component dimensions given in U.S. inches
1 inch = 25.4 mm

**TRACTOR - - MODEL NUMBER PBGT26H54 (96042000701), PRODUCT NO. 960 42 00-07
CHASSIS**



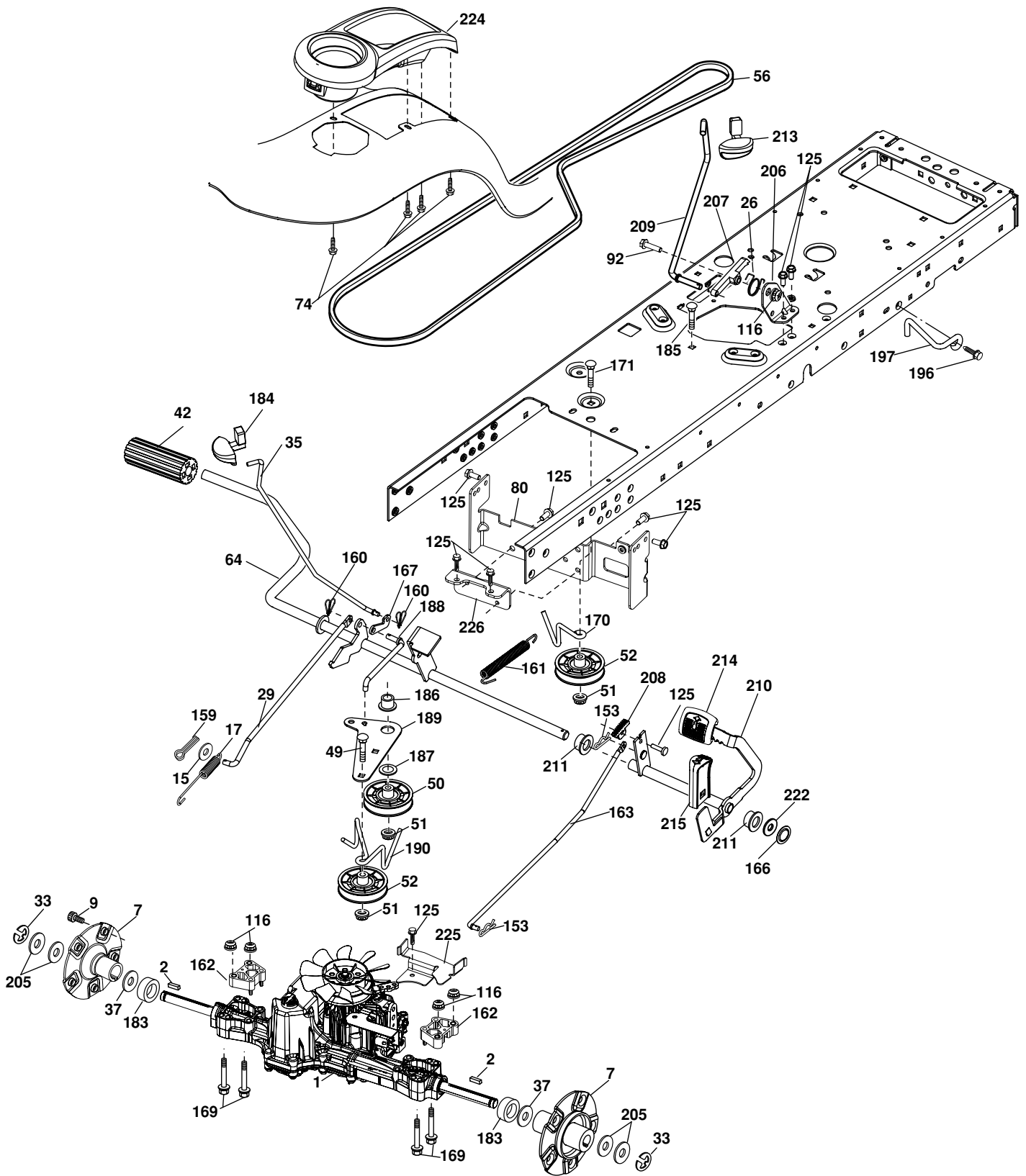
chassis-tex_36-vgt-hydro

**TRACTOR - - MODEL NUMBER PBGT26H54 (96042000701), PRODUCT NO. 960 42 00-07
CHASSIS**

KEY NO.	PART NO.	DESCRIPTION
2	401140	Drawbar
5	195102X428	Dash
14	175260X428	Hood
17	17060612	Screw 3/8-16 x .75
18	175289X428	Grille
36	17060512	Screw 5/16-18 x 3/4
37	400009X428	Fender
58	194314	Bracket Fender
68	17490508	Screw Thdrol 5/16-18 x 1/2
99	401996	Rod Bypass
102	4497H	Retainer Spring
122	192512	Screw WSHD Hex 10-32 x 5/8
130	191611	Screw 10 x 3/4 Single Lead-Hex
148	164655	Bumper
150	175352	Duct Heat Hood
152	194329	Shield Browning/Debris
157	161840	Lens Bar
159	17000612	Screw Hexwsh Thdrol 3/8-16 x 3/4
161	193097X428	Console Fuel Window
162	142432	Screw Hex Wsh Hi-Lo 1/4 x 1/2
165	194330	Bracket Support Tank
175	193236	Crossmember
176	400776	Screw #10-24 x 5/8 Rnd Qudrx
177	195227	Bushing Steering
178	195651	Cargo Asm. Net
180	194260	Chassis
181	193102X428	Bushing Mtg. Fender Crgo.
182	192551	Dash Lower
183	74780520	Bolt Fin Hex 5/16-18UNC x 1-1/4
184	195780	Spacer Fender
188	194316	Bracket Pickoff Hood
189	17000512	Screw 5/16-18 x 3/4
194	73900500	Nut Lock Hex Flange 5/16-18
196	193098X428	Console Asm. Deck Lift
198	197300X505	Indicator Deck Lift
199	196377	Plate Deck Lift
205	169847X428	Skirt Hood RH
206	169848X428	Skirt Hood LH
219	195161	Stud Fastener
222	137729	Screw thd Roll 1/4-20 x 5/8

NOTE: All component dimensions given in U.S. inches
1 inch = 25.4 mm

TRACTOR - - MODEL NUMBER PBGT26H54 (96042000701), PRODUCT NO. 960 42 00-07
DRIVE



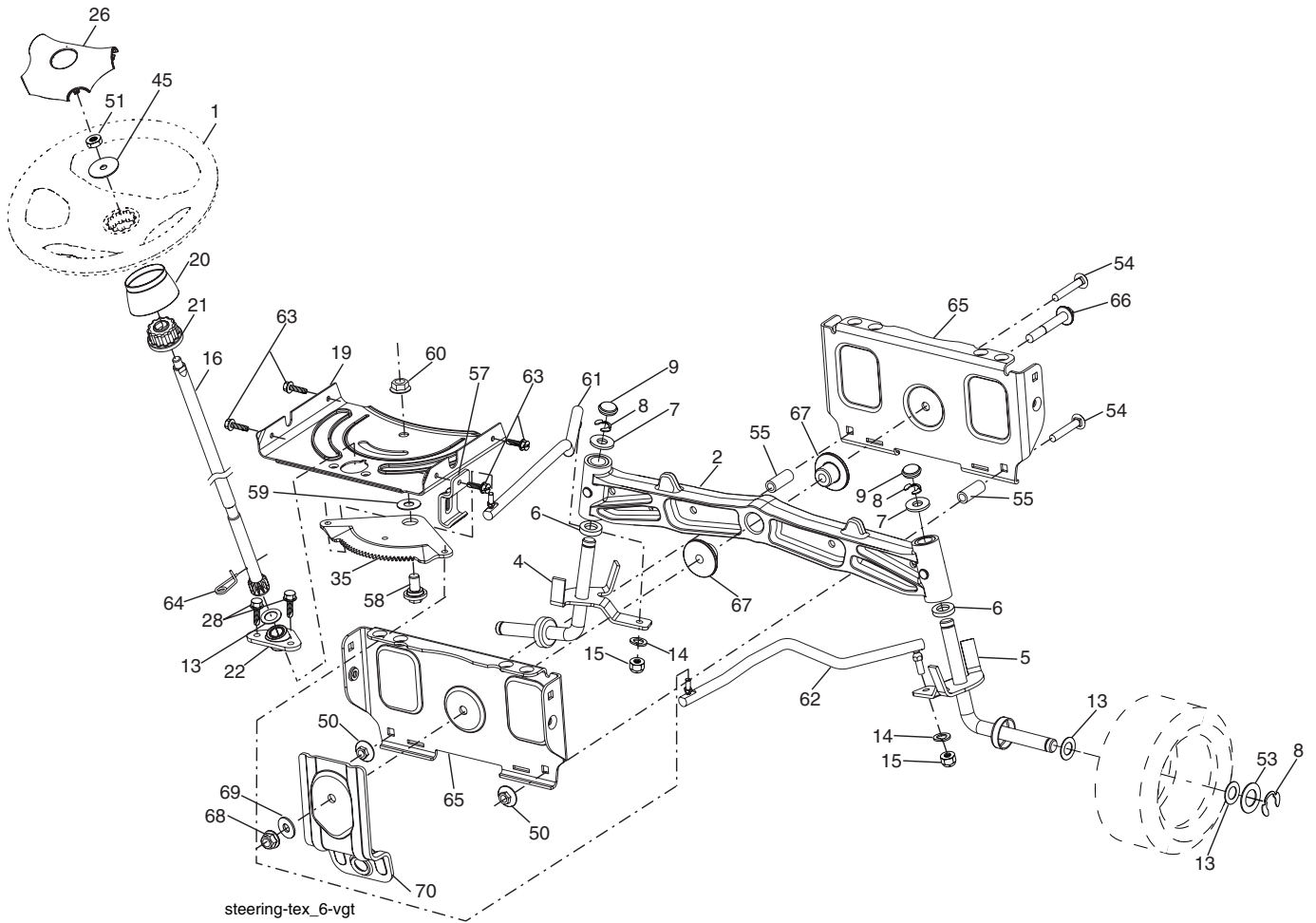
drive-tex_23_GT_TuffTorq

**TRACTOR - - MODEL NUMBER PBGT26H54 (96042000701), PRODUCT NO. 960 42 00-07
DRIVE**

KEY NO.	PART NO.	DESCRIPTION	KEY NO.	PART NO.	DESCRIPTION
1	-----	Transaxle, TuffTorq K46	167	196211	Latch Brake Parking
2	186211	Key	170	194322	Keeper Belt Centerspan
7	199844	Hub Asm. Wheel	171	72110616	Bolt
9	140080	Bolt Hub Wheel	183	400424	Spacer Split
15	19131316	Washer 13/32 x 13/16 x 16 Ga.	184	195361X428	Handle Parking Brake
17	401072	Spring, Brake	185	72110620	Bolt
26	199679	Spring Return Cruise	186	194321	Spacer Retainer
29	403806	Rod, Brake	187	19133210	Washer
33	12000001	Ring E	188	194323	Link Clutch Ground Drive
35	197275	Rod, Brake, Park	189	194317	Bellcrank Ground Drive
37	121749X	Washer	190	194318	Keeper Bellcrank Ground Drive
42	123533X	Cover, Foot Pedal	196	17000616	Screw 3/8-16 x 1
49	72110614	Bolt	197	199769	Bracket Clutch Anti-Rotation
50	194327	Pulley Idler Flat	205	121748X	Washer
51	73900600	Lock Nut 3/8-16	206	197867	Bracket Mount Latch Cruise
52	194326	Idler V-Groove 910" Offset	207	197868	Latch Control Cruise
56	130969	V-Belt, Drive	208	197869	Bolt Sector Control Cruise
64	197865	Shaft Asm. Pedal Brake Control	209	199466	Rod Control Cruise
74	142432	Screw Hx Wsh Hi-Lo 1/4 x 1/2 unc	210	197860	Rocker Asm. Pedal Control
80	404483	Strap Torque	211	120183X	Bearing Nylon
92	74760520	Bolt Fin Hex 5/16-18 unc x 1.25	213	195352X428	Knob Control Cruise
169	74490560	Bolt Hex Flghd 5/16-18 x 3.0 Gr. 5	214	197302X428	Pad Pedal Forward
116	73900500	Nut Lock Hex Flange 5/16-18	215	197301X428	Pad Pedal Reverse
125	17000512	Screw 5/16-18 x 3/4	222	19212010	Washer 21/32 x 1-1/4 x 10 Ga.
153	4497H	Retainer Spring	224	193099X428	Console Toolbox
159	76020412	Pin Cotter 1/8 x 3/4	225	403319	Keeper Belt Trans.
160	169484	Retainer Clip	226	400831	Bracket Mount Torque
161	195403	Spring, Return, Clutch			
162	195785	Spacer Transaxle			
163	401034	Rod Pedal Control			
166	197290	Nut Push .625			

NOTE: All component dimensions given in U.S. inches
1 inch = 25.4 mm

**TRACTOR - - MODEL NUMBER PBGT26H54 (96042000701), PRODUCT NO. 960 42 00-07
STEERING ASSEMBLY**

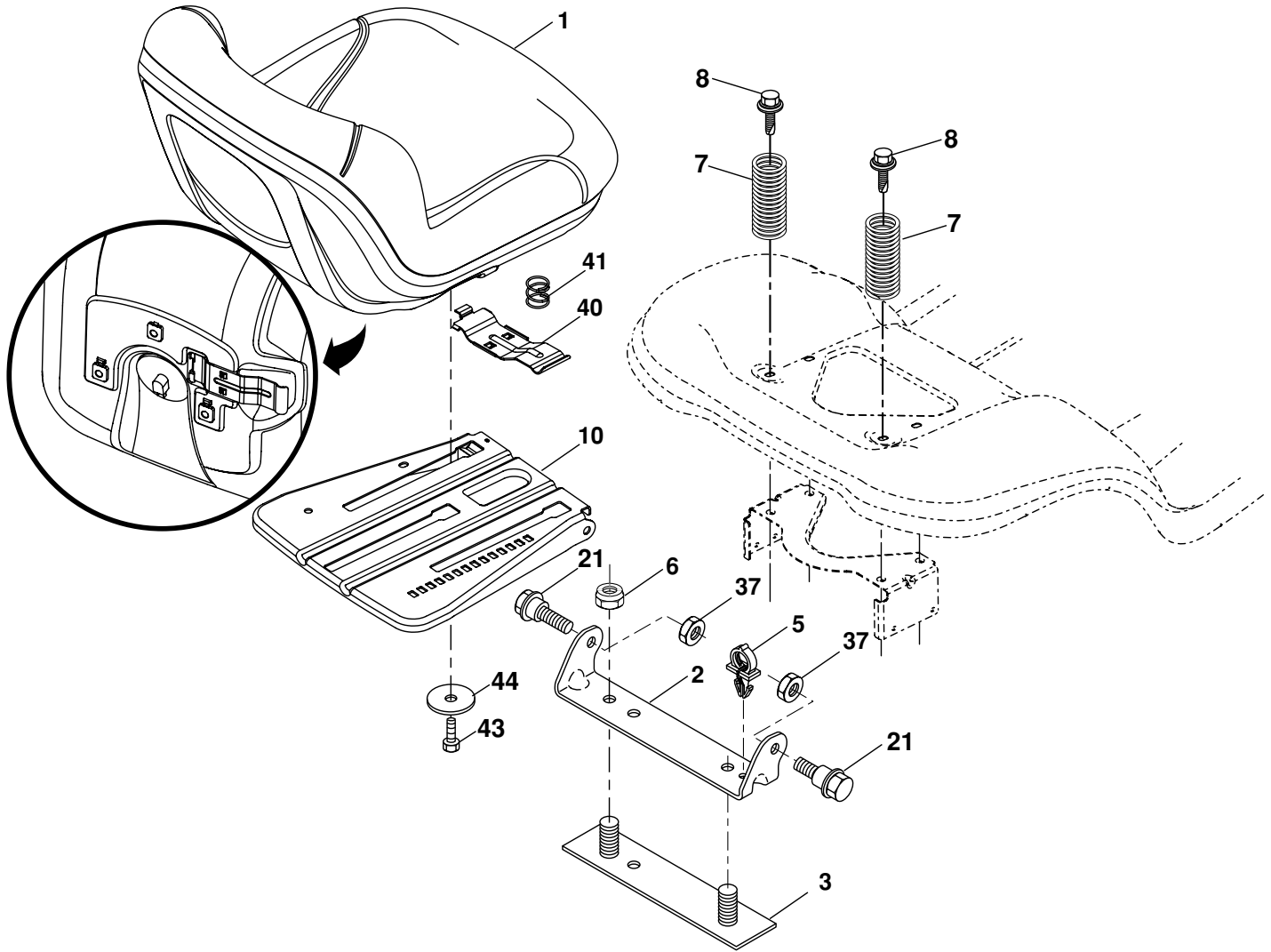


**TRACTOR - - MODEL NUMBER PBGT26H54 (96042000701), PRODUCT NO. 960 42 00-07
STEERING ASSEMBLY**

KEY NO.	PART NO.	DESCRIPTION
1	186093X428	Wheel, Steering
2	195968	Axle Asm., Front
4	197937	Spindle Asm., LH
5	197936	Spindle Asm., RH
6	6266H	Bearing, Race Thrust Harden
7	121748X	Washer 25/32 x 1-5/8 x 16 Ga.
8	12000029	Ring, Klip #T5304-75
9	121232X	Cap, Spindle
13	121749X	Washer 25/32 x 1-1/4 x 16 Ga.
14	10040600	Washer, Lock Hvy Hlcl Spr 3/8
15	73540600	Nut, Crown Lock 3/8-24 unf
16	194746	Shaft Steering
19	194729	Plate Steering
20	195626X428	Boot, Steering
21	186737	Adapter, Wheel Steering
22	194845	Bushing, Strg. Blk
26	186095X428	Insert, Wheel Steering
28	17000612	Screw 3/8-16 x 3/4
35	194732	Gear, Sector Plate
45	19183812	Washer 9/16 x 2-3/8 x 12 Ga.
50	73900600	Nut Lock Flg. 3/8-16 unc
51	73940800	Nut Hex Jam Toplock 1/2-20 unf
53	188967	Washer Hardened .793 x 1.637 x .060
54	74760636	Bolt Hex Hs 3/8-16 unc x 2-1/4
55	197636	Spacer Brace Axle
57	197246	Bracket Upstop
58	194747	Bolt Shoulder Sector Pivot CFM
59	194748	Washer Thrust Sector Steering
60	73971000	Nut Flange Lock 5/8-11
61	194740	Draglink LH
62	194741	Draglink, RH
63	17000512	Screw 5/16-18 x 3/4
64	199849	Retainer Clip Spring Steering
65	194734	Brace Axle Front
66	71020748	Bolt Hex Fghd 7/16-14 x 3 Serr
67	194737	Bushing PM Front Axle
68	73900700	Nut Lock Flange 7/16-14 Gr. 5
69	199162	Washer 1.5 x .505 x .118
70	196197	Bracket Deck Susp. Front

NOTE: All component dimensions given in U.S. inches
1 inch = 25.4 mm

**TRACTOR - - MODEL NUMBER PBGT26H54 (96042000701), PRODUCT NO. 960 42 00-07
SEAT ASSEMBLY**



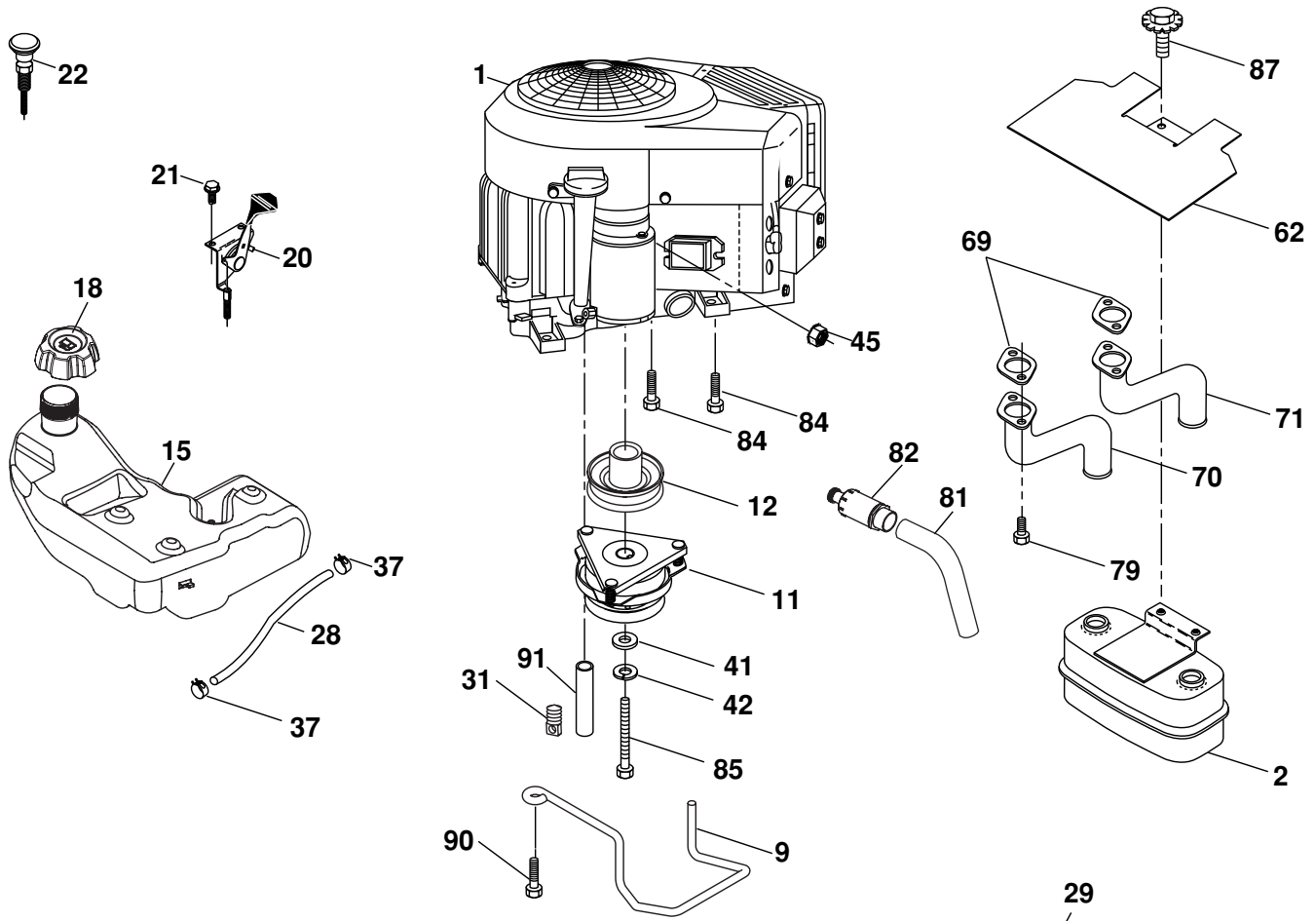
seat-tex_7-vgt

KEY NO.	PART NO.	DESCRIPTION
1	197530	Seat
2	180166	Bracket Pivot Fender
3	140675	Strap, Asm Fender
5	145006	Clip, Push In, Hinged
6	73800600	Nut, Lock W/Ins. 3/8-16 unc
7	124181X	Spring, Seat Cprsn
8	171877	Bolt 5/16-18 uncx 3/4 w/Sems
10	196977	Pan, Seat

KEY NO.	PART NO.	DESCRIPTION
21	171852	Bolt, Shoulder 5/16-18
37	73800500	Nut, Lock 5/16-18 unc
40	197661	Handle Slide Seat
41	198200	Spring Latch Seat
43	74760612	Bolt Fin Hex 3/8-16 unc x 3/4
44	19133812	Washer 13/32 x 2-3/8 x 12 Ga.

NOTE: All component dimensions given in U.S. inches
1 inch = 25.4 mm

**TRACTOR - - MODEL NUMBER PBGT26H54 (96042000701), PRODUCT NO. 960 42 00-07
ENGINE**



SPARK ARRESTER KIT

engine-tex_24-vgt

KEY NO.	PART NO.	DESCRIPTION
1	-----	Engine B&S Model No. 445877-0569-E1
2	149723	Muffler
9	194320	Keeper Asm. Belt Engine
11	179335	Clutch Electric
12	194343	Pulley Engine
15	193499	Tank Fuel 4.0
18	195951	Cap Asm
20	175437X428	Control Throttle
21	191611	Screw 10 x 3/4 Single Lead-Hex
22	187768X428	Control Choke
28	401135	Fuel Line
29	137180	Spark Arrester Kit
31	145006	Clip Push-In Hinged
37	123487X	Clamp Hose
41	126197X	Washer 1-1/2 OD x 15/32 ID x .250

KEY NO.	PART NO.	DESCRIPTION
42	10040700	Washer Lock 7/16
45	73510400	Nut Keps Hex 1/4-20 unc
62	146629	Shield Heat Muffler
69	165391	Gasket
70	159955	Tube Exhaust LH
71	160589	Tube Exhaust RH
79	183906	Screw Socket Head
81	148456	Tube Drain Oil Easy
82	181654	Plug Drain Oil
84	17060620	Screw 3/8-16 x 1-1/4
85	179953	Bolt Hex 7/16-20 x 3.75 Gr. 5
87	198239	Bolt 5/16-18 unc x 1 w/Sems
90	17000616	Screw 3/8-16 x 1
91	187495	Bushing

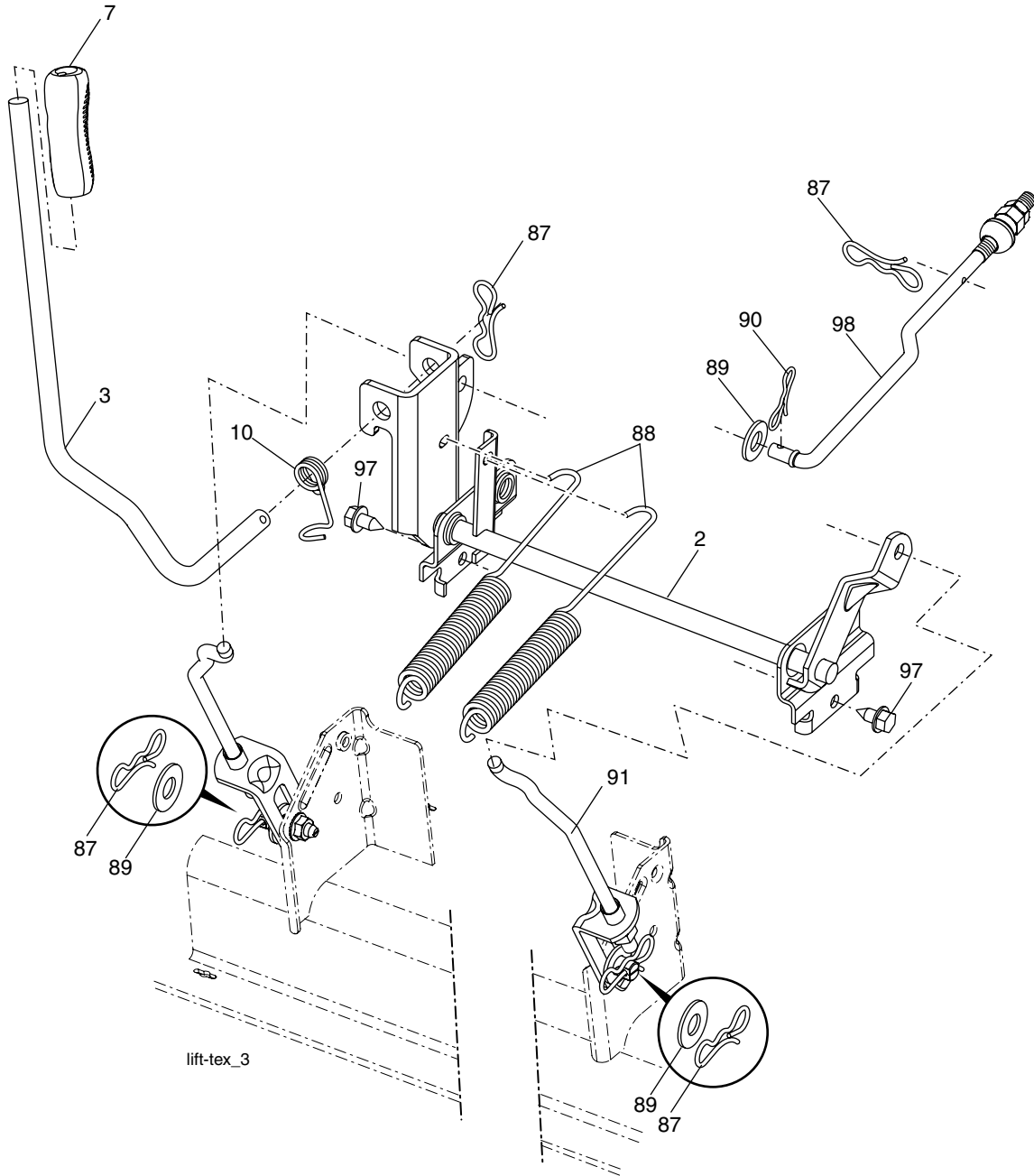
NOTE: All component dimensions given in U.S. inches
1 inch = 25.4 mm

**TRACTOR - - MODEL NUMBER PBGT26H54 (96042000701), PRODUCT NO. 960 42 00-07
MOWER DECK**

KEY NO.	PART NO.	DESCRIPTION	KEY NO.	PART NO.	DESCRIPTION
1	195632X421	Deck Weldment Mower	58	187342	Baffle Right
6	196066	Cover Mandrel LH	59	187344	Baffle Left
7	197181	Cover Mandrel RH	60	187607	Baffle Center
8	174365	Bolt 7/16 Asm. Blade	97	178515	Washer Hardened
11	187256	Blade Bagging	98	196105	Spring Drive
--	187255	Blade Mulching	113	72110508	Bolt Rdhd Sqnk 5/16-18 x 3/4
--	187254	High Lift	114	187556	Rod Tension Relief
13	187291	Shaft Asm. w/Lower Bearing	116	193406	Bolt, Shoulder
14	187281	Housing, Mandrel	117	174873	Gauge Wheel
15	110485X	Bearing, Ball, Mandrel	120	19132012	Washer 13/32 x 1-1/4 x 12 Ga.
18	72140505	Bolt 5/16-18 x 5/8	122	187557	Bushing Tension Relief
21	73680500	Nut, Crownlock 5/16-18 unc	185	73900700	Nut Lock Flange 7/16-14 Gr. 5
24	105304X	Cap Sleeve	187	195161	Stud Fastener w/"D" Anti-Rotation
25	178102	Spring, Torsion	188	73900500	Nut Lock Hex Flange 5/16-18
26	110452X	Nut, Push	189	195185	Arm Susp. Mower Rear
27	187257X428	Deflector Shield	190	196539	Bolt Shoulder
29	131491	Rod, Hinge	192	198468	Keeper Belt Idler
30	173984	Screw, Thdroll Washer Head	194	72140716	Bolt Carr Sqnk 3/8-16 x 2-1/4
31	187690	Washer, Spacer Mower Vented	--	187292	Mandrel Asm. Service (Includes Key Nos. 13-15 and 33)
32	173436	Pulley, Mandrel	--	197701	Replacement Mower, Complete
33	400234	Nut, Flg. Top Lock			
34	73680600	Nut Crownlock 3/8-16 unc			
39	196104	Pulley, Idler, Stationary			
43	196065	Arm, Idler			
46	137729	Screw, Thdroll. 1/4-20 x 5/8			
47	196103	V-Belt, Mower			
49	73900600	Nut, Lock Flg. 3/8-16 unc			
50	72110616	Bolt Rdhd Sqnk 3/8-16 unc x 2			
52	196106	Pulley Idler Clutching			

NOTE: All component dimensions given in U.S. inches
1 inch = 25.4 mm

**TRACTOR - - MODEL NUMBER PBGT26H54 (96042000701), PRODUCT NO. 960 42 00-07
MOWER LIFT**



KEY NO.	PART NO.	DESCRIPTION
2	195223	Shaft Asm., Lift
3	195230	Lever Asm., Lift Rh
7	196492	Grip, Lever
10	196314	Spring Torsion
87	194209	Pin Cotter 7/16 Bow Tie Lock
88	195304	Spring Lift Assist

KEY NO.	PART NO.	DESCRIPTION
89	19191912	Washer Clear Zinc
90	194208	Pin Cotter 5/16 Bow Tie Lock
91	403407	Link Lift Susp Mower Rear
97	17060612	Screw 3/8-16 x .75 Smgml Tap/R.Z
98	195264	Link Lift Susp. Front Mower

NOTE: All component dimensions given in U.S. inches
1 inch = 25.4 mm