

ILLUSTRATED PARTS LIST

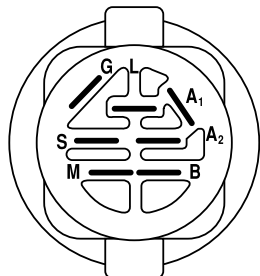
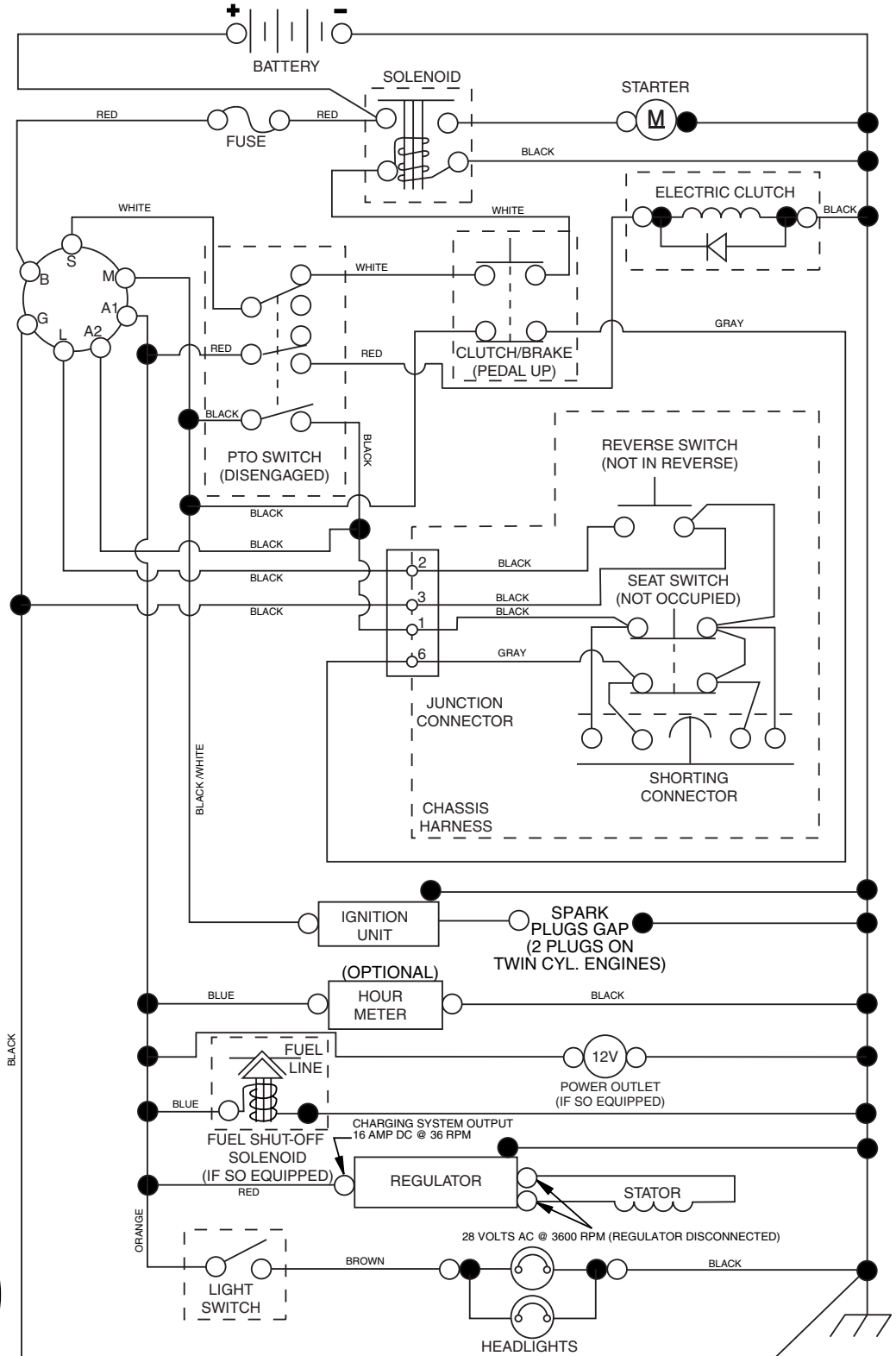
MFG ID NO. 96042001200

CUSTOMER CATALOG NO. SO21H48YT

PRODUCT NO. 960 42 00-12

TRACTOR - MODEL NO. SO21H48YT (96042001200), PRODUCT NO. 960 42 00-12 SCHEMATIC

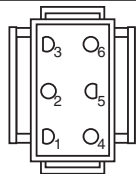
02929-194276_Regulated-Tex



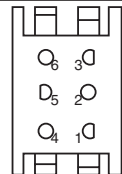
IGNITION SWITCH

POSITION	CIRCUIT	"MAKE"
OFF	M+G+A1	
RUN/OVERRIDE	B+A1	
RUN	B+A1	L+A2
START	B + S + A1	

02929



CHASSIS HARNESS CONNECTOR (MATING SIDE)



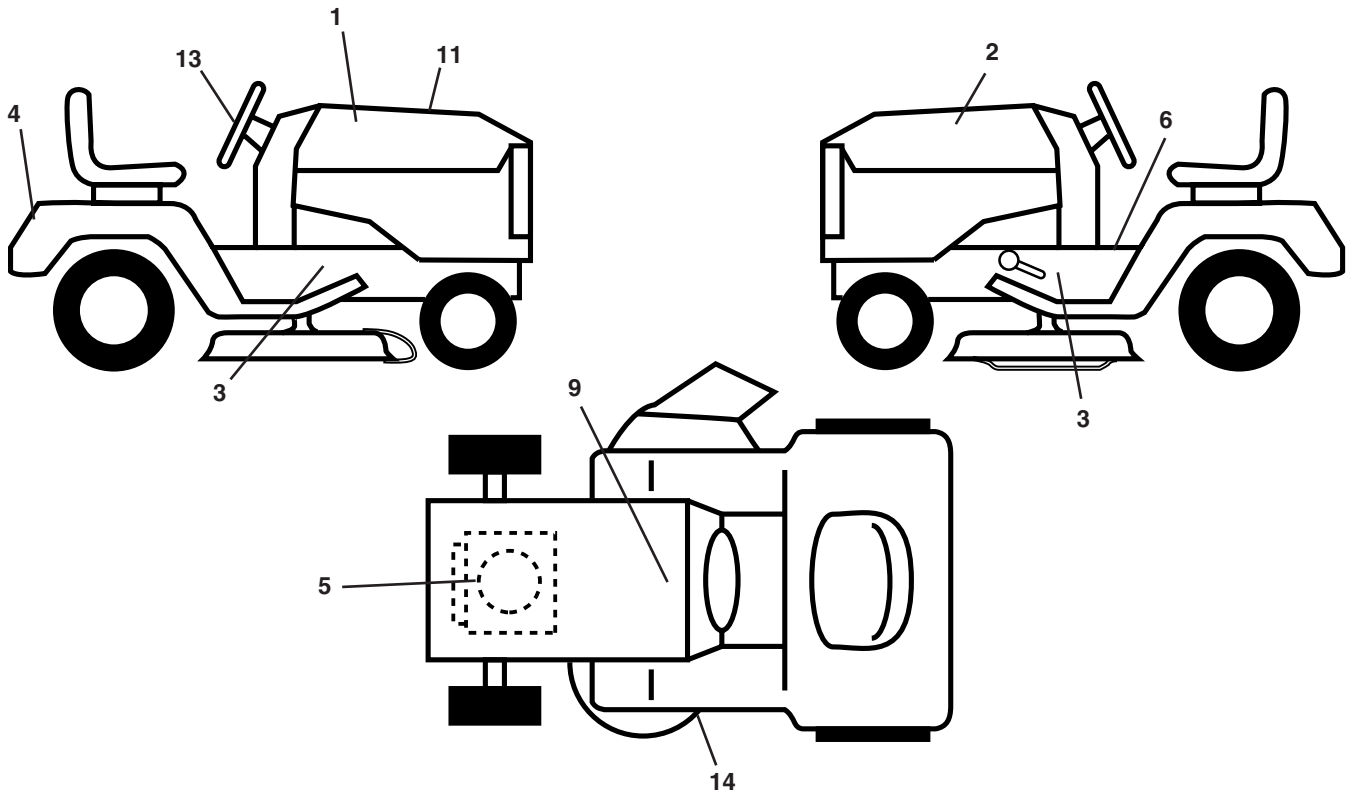
DASH HARNESS CONNECTOR (MATING SIDE)

WIRING INSULATED CLIPS
NOTE: IF WIRING INSULATED CLIPS WERE REMOVED FOR SERVICING OF UNIT, THEY SHOULD BE REPLACED TO PROPERLY SECURE YOUR WIRING.

●
NON-REMOVABLE CONNECTIONS

○
REMOVABLE CONNECTIONS

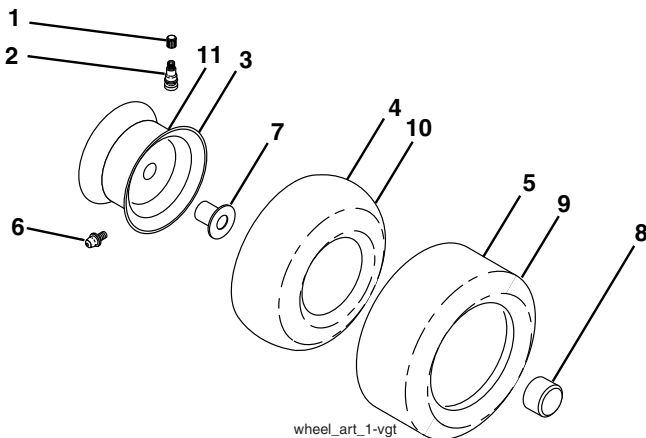
**TRACTOR - MODEL NO. SO21H48YT (96042001200), PRODUCT NO. 960 42 00-12
DECALS**



KEY NO.	PART NO.	DESCRIPTION
1	195413	Decal, Hood RH
2	195414	Decal, Hood LH
3	402702	Decal, Chassis
4	190429	Decal, Fender
5	189526	Decal, Engine
6	402587	Decal, Fender Operator's
9	145005	Decal, Battery Dnge/Poi
11	402276	Decal, Replacement
13	190430	Decal, Steering Wheel

KEY NO.	PART NO.	DESCRIPTION
14	198785	Decal, Mower Schematic
--	400981x428	Pad Foot Pedal Control
--	166960	Decal, Bypass
--	193226X428	Pad, Footrest, LH
--	402676	Manual, Operator's E&SP
--	402677	Manual, Parts

WHEELS AND TIRES



KEY NO.	PART NO.	DESCRIPTION
1	59192	Cap, Valve, Tire
2	65139	Stem, Valve
3	106732X624	Rim Assembly, Front
4	59904	Tube, Front
5	106222X	Tire, Front
6	278H	Fitting, Grease
7	9040H	Bearing, Flange
8	104757X428	Cap, Axle (Front Wheel Only)
9	138468	Tire, Rear
10	7152J	Tube, Rear
11	106108X624	Rim Assembly, Rear
--	144334	Sealant, Tire (10 oz. Tube)

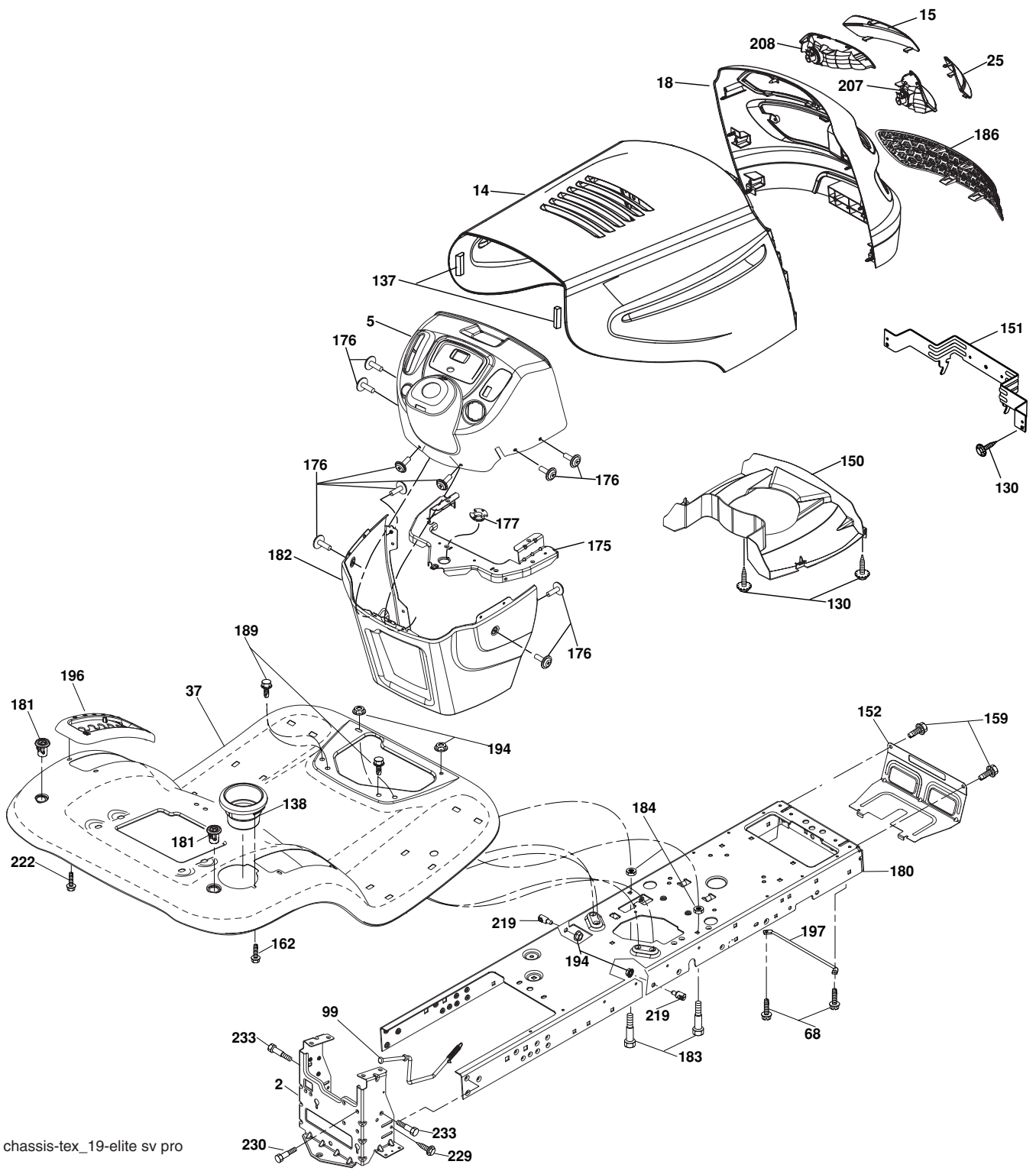
NOTE: All component dimensions given in U.S. inches
1 inch = 25.4 mm

**TRACTOR - MODEL NO. SO21H48YT (96042001200), PRODUCT NO. 960 42 00-12
ELECTRICAL**

KEY NO.	PART NO.	DESCRIPTION
1	144927	Battery
2	74760412	Bolt Hex Head 1/4-20 x 3/4
8	186491	Box Battery
16	176138	Switch Interlock Push-In
21	183759	Harness Socket Light W/4152J
22	4152J	Bulb Light
24	400253	Cable Battery
25	401662	Cable Starter
26	175158	Fuse
27	73510400	Nut Keps Hex 1/4-20 unc
28	145491	Cable, Ground
29	401545	Switch, Seat
30	193350	Switch, Ign
33	140401	Key, Ignition
34	110712X	Switch Light / Reset
40	194276	Harness Ign.
41	17720408	Screw Thd Cut 1/4-20 x 1/2
42	131563	Cover, Terminal
43	192507	Solenoid
46	198138	Gauge Hourmeter
50	174651	Switch PTO
55	17490512	Screw Thdrol 5/16-18 x 3/4 TYTT
71	400450	Harness Ign. Dash
90	180449	Cover Terminal Battery
91	190270	Strap Battery Mount Front
92	196615	Harness Pigtail
93	192540	Screw Plastite 10-14 x 2.0
94	191834	Module Reverse ROS
99	17670412	Screw Hexwsh Thdrol 1/4-20 x 3/4
100	19091416	Washer 9/32 x 7/8 x 16 Ga.

NOTE: All component dimensions given in U.S. inches
1 inch = 25.4 mm

TRACTOR - MODEL NO. SO21H48YT (96042001200), PRODUCT NO. 960 42 00-12 CHASSIS



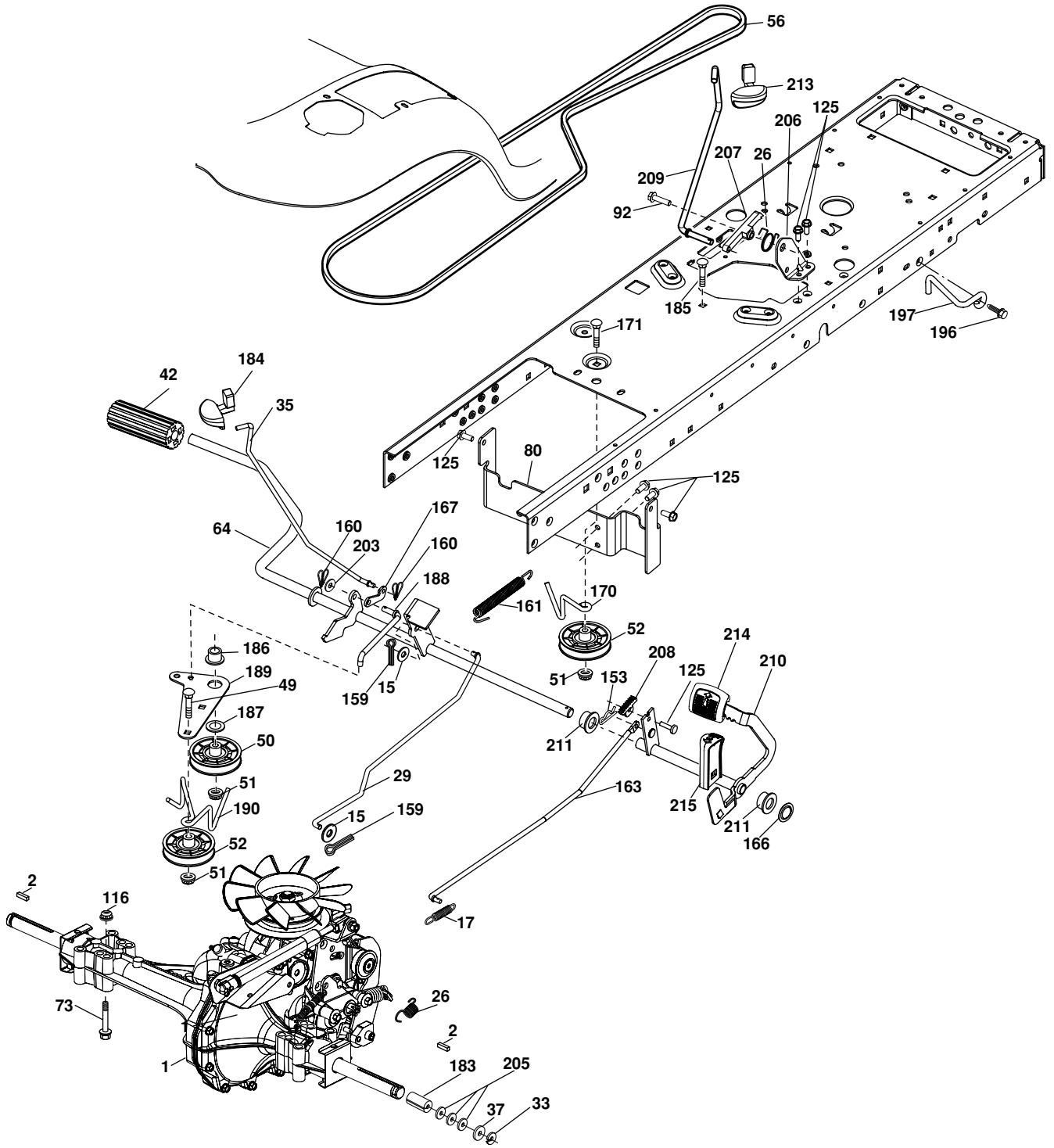
chassis-tex_19-elite sv pro

**TRACTOR - MODEL NO. SO21H48YT (96042001200), PRODUCT NO. 960 42 00-12
CHASSIS**

KEY NO.	PART NO.	DESCRIPTION
2	194263	Drawbar
5	199648X428	Dash
14	183393X505	Hood
15	183834X599	Lens Grille LH
18	188224	Grille (Included Key #'s 15,25,191)
25	183835X599	Lens Grille RH
37	401120X505	Fender
99	401530	Rod Bypass Asm.
130	191611	Screw 10 x 3/4 Single Lead-Hex
137	184921	Bumper Hood
138	193224X428	Cupholder
150	189350	Duct Heat Hood
151	174714	Bracket Pivot
152	194329	Shield Browning/Debris
159	17000612	Screw Hexwsh Thdrol 3/8-16 x 3/4
161	193229X428	Window Fuel
162	142432	Screw Hex Wsh Hi-Lo 1/4 x 1/2 UNC
165	194330	Bracket Support Tank
175	193234	Crossmember
176	400776	Screw 10-24 x 5/8 Wshd Qdrx
177	195227	Bushing Steering
180	194260	Chassis
181	193102X428	Bushing Mtg. Fender Crgo.
182	193057	Dash Lower
183	74780520	Bolt Fin Hex 5/16-18 x 1-1/4
184	195780	Spacer Fender
186	183829X428	Insert Grille
189	17000512	Screw 5/16-18 x 3/4
191	183829X428	Insert Grille
194	73900500	Nut Lock Hex Flange 5/16-18
196	196378X428	Console Asm. Deck Lift
198	197300X615	Indication Deck Lift
199	196376	Plate Deck Lift
207	183833	Bezel RH
208	183832	Bezel LH
219	195161	Stud Fastener
222	137729	Screw thd Roll 1/4-20 x 5/8
229	17000616	Screw 3/8-16 x 1
233	196539	Bolt Shoulder

NOTE: All component dimensions given in U.S. inches
1 inch = 25.4 mm

TRACTOR - MODEL NO. SO21H48YT (96042001200), PRODUCT NO. 960 42 00-12
DRIVE



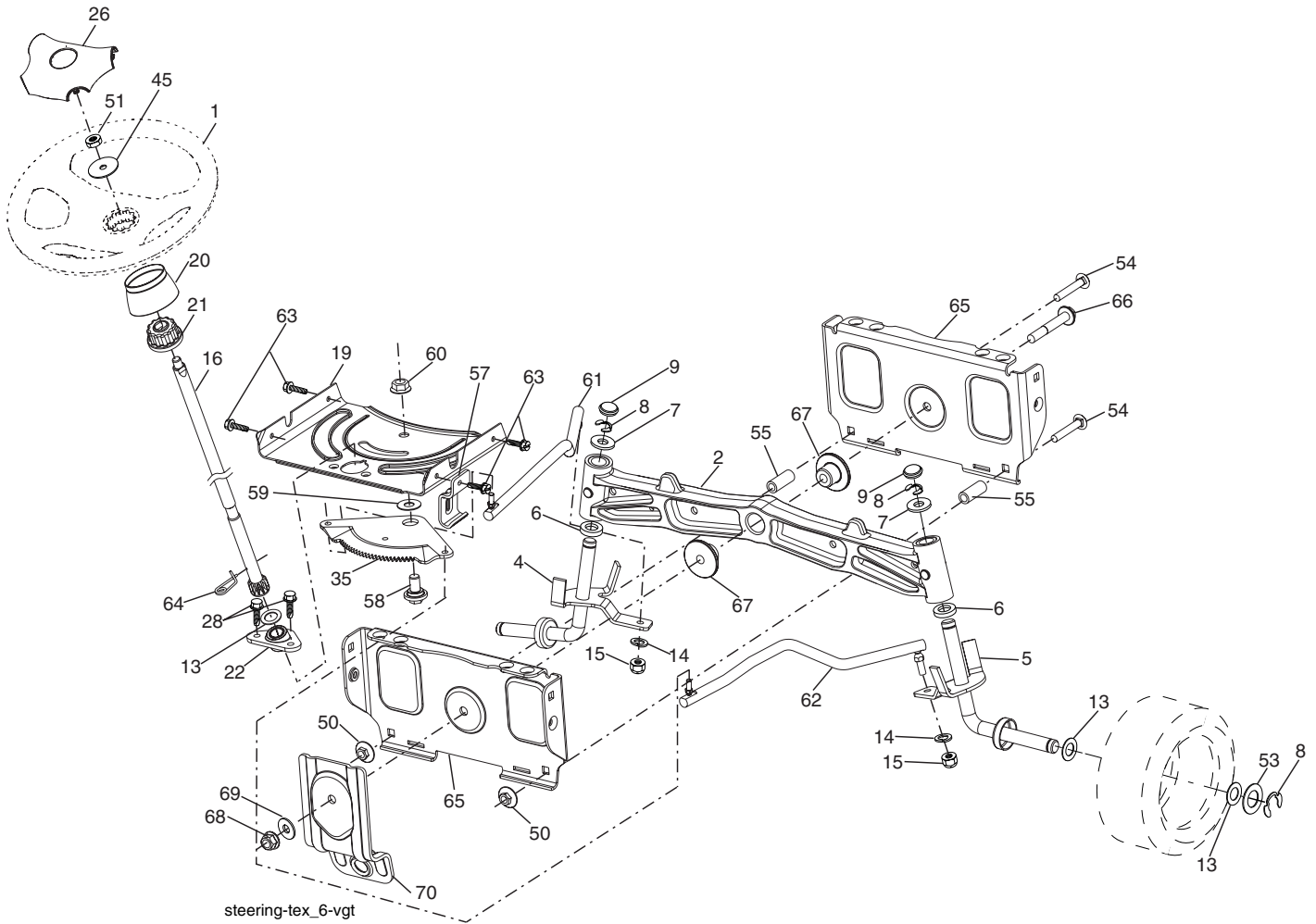
drive-tex_12

**TRACTOR - MODEL NO. SO21H48YT (96042001200), PRODUCT NO. 960 42 00-12
DRIVE**

KEY NO.	PART NO.	DESCRIPTION	KEY NO.	PART NO.	DESCRIPTION
1	-----	Transaxle, Hydro HG0510 (Order Parts from Transaxle Manufacturer)	170	194322	Keeper Belt Centerspan
2	123583X	Key	171	72110616	Bolt
15	19131316	Washer 13/32 x 13/16 x 16 Ga.	183	137057	Spacer Axle
17	197296	Spring, Brake	184	198403X505	Handle Parking Brake
29	197659	Rod, Brake	185	72110620	Bolt
33	12000001	Ring E	186	194321	Spacer Retainer
35	197722	Rod, Brake, Park	187	19133210	Washer
37	121749X	Washer 25/32 x 1-1/4 x 16 Ga.	188	194323	Link Clutch Ground Drive
42	123533X	Cover, Foot Pedal	189	194317	Bellcrank Ground Drive
49	72110614	Bolt	190	194318	Keeper Bellcrank Ground Drive
50	194327	Pulley Idler Flat	196	17000616	Screw 3/8-16 x 1
51	73900600	Lock Nut 3/8-16	197	195804	Link Clutch Anti Rotation
52	194326	Idler V-Groove 910" Offset	203	19111116	Washer 11/32 x 11/16 x 16 Ga.
56	140218	V-Belt, Drive	205	121748X	Washer 25/32 x 1-5/8 x 16 Ga.
64	197865	Shaft Asm. Pedal Brake Control	206	197867	Bracket Mount Latch Cruise
73	74490544	Bolt Hex Flghd 5/16-18 Gr. 5	207	197868	Latch Control Cruise
80	400507	Bracket Strap Torque	208	197869	Gear Sector Control Cruise
92	74760520	Bolt Fin Hex 5/16-18 unc x 1.25	209	400769	Rod Control Cruise
116	73900500	Nut Lock Hex Flange 5/16-18	210	400980	Rockr Asm. Pdeal Control
125	17000512	Screw 5/16-18 x 3/4	211	120183X	Bearing Nylon
153	4497H	Retainer Spring	213	400799X428	Knob control Cruise
159	76020412	Pin Cotter 1/8 x 3/4	214	197302X428	Pad Pedal Forward
160	169484	Retainer Clip	215	197301X428	Pad Pedal Reverse
161	195403	Spring, Return, Clutch			
163	199000	Rod Pedal Control			
166	197290	Nut Push .625			
167	196211	Latch Brake Parking			

NOTE: All component dimensions given in U.S. inches
1 inch = 25.4 mm

TRACTOR - MODEL NO. SO21H48YT (96042001200), PRODUCT NO. 960 42 00-12
STEERING ASSEMBLY

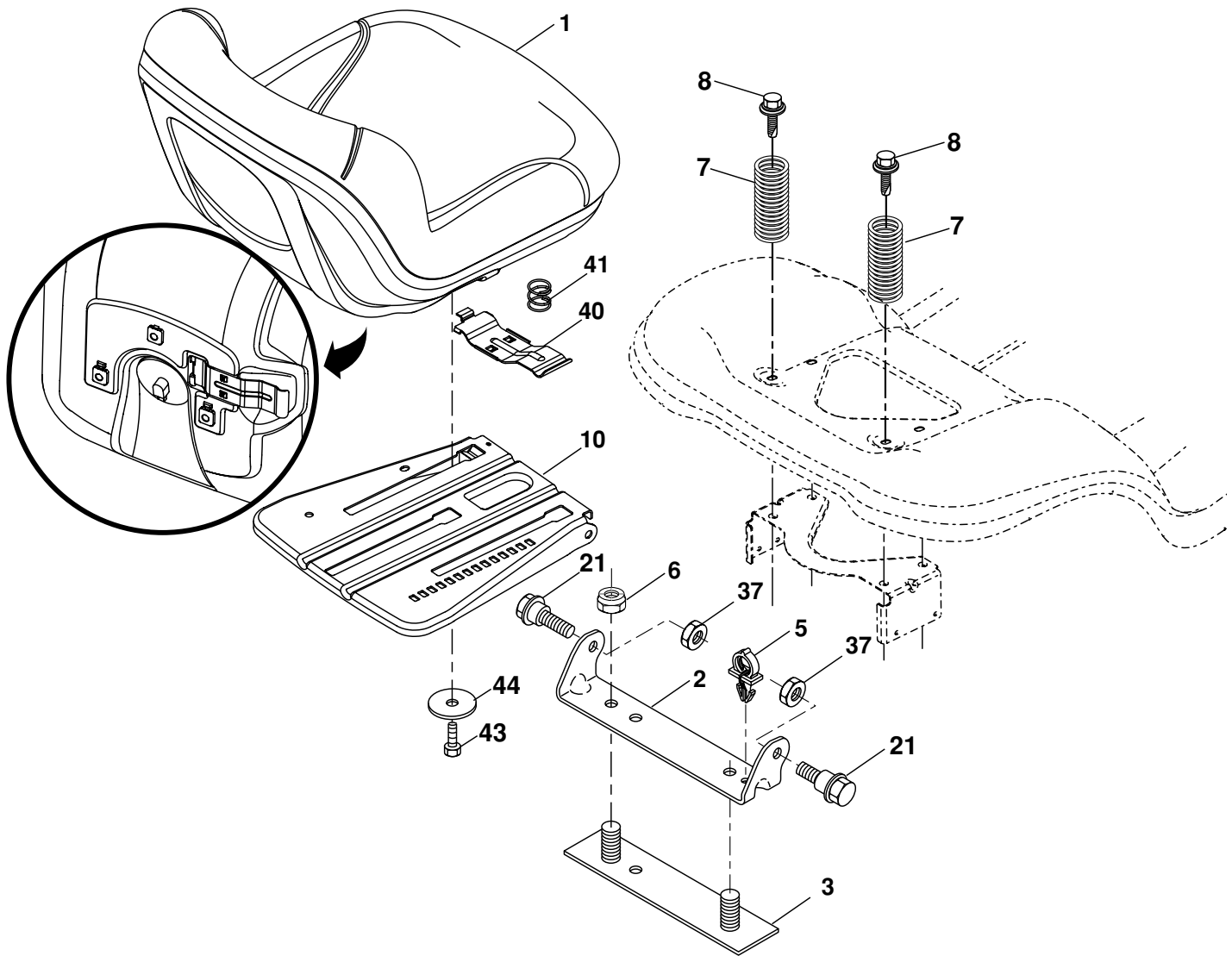


**TRACTOR - MODEL NO. SO21H48YT (96042001200), PRODUCT NO. 960 42 00-12
STEERING ASSEMBLY**

KEY NO.	PART NO.	DESCRIPTION
1	186093X428	Wheel, Steering
2	195968	Axle Asm., Front
4	194743	Spindle Asm., LH
5	194744	Spindle Asm., RH
6	6266H	Bearing, Race Thrust Harden
7	121748X	Washer 25/32 x 1-5/8 x 16 Ga.
8	12000029	Ring, Klip #T5304-75
9	121232X	Cap, Spindle
13	121749X	Washer 25/32 x 1-1/4 x 16 Ga.
14	10040600	Washer, Lock Hvy Hlcl Spr 3/8
15	73540600	Nut, Crown Lock 3/8-24 unf
16	194746	Shaft Steering
19	194729	Plate Steering
20	199743X428	Boot, Steering
21	186737	Adapter, Wheel Steering
22	194845	Bushing, Strg. Blk
26	186095X428	Insert, Wheel Steering
28	17000612	Screw 3/8-16 x 3/4
35	194732	Gear, Sector Plate
45	19183812	Washer 9/16 ID x 2-3/8 OD 12 Ga.
50	73900600	Nut Lock 3/8-16 UNC
51	73940800	Nut Hex Jam Toplock 1/2-20 unf
53	188967	Washer Hardened .793 x 1.637 x .060
54	74760636	Bolt Hex 3/8-16 UNC x 2-1/4
55	197636	Spacer Brace Axle
57	197246	Bracket Upstop
58	194747	Bolt Shoulder Sector Pivot CFM
59	194748	Washer Thrust Sector Steering
60	73971000	Nut Flange Lock 5/8-11
61	194740	Draglink LH
62	194741	Draglink, RH
63	17000512	Screw 5/16-18 x 3/4
64	199849	Retainer Clip Spring Steering
65	194734	Brace Axle Front
66	71020748	Bolt Hex Fghd 7/16-14 x 3 Serr
67	194737	Bushing PM Front Axle
68	73900700	Nut Lock Flange 7/16-14 Gr. 5
69	199162	Washer 1.5 x .505 x .118
70	196197	Bracket Deck Susp. Front

NOTE: All component dimensions given in U.S. inches
1 inch = 25.4 mm

**TRACTOR - MODEL NO. SO21H48YT (96042001200), PRODUCT NO. 960 42 00-12
SEAT ASSEMBLY**



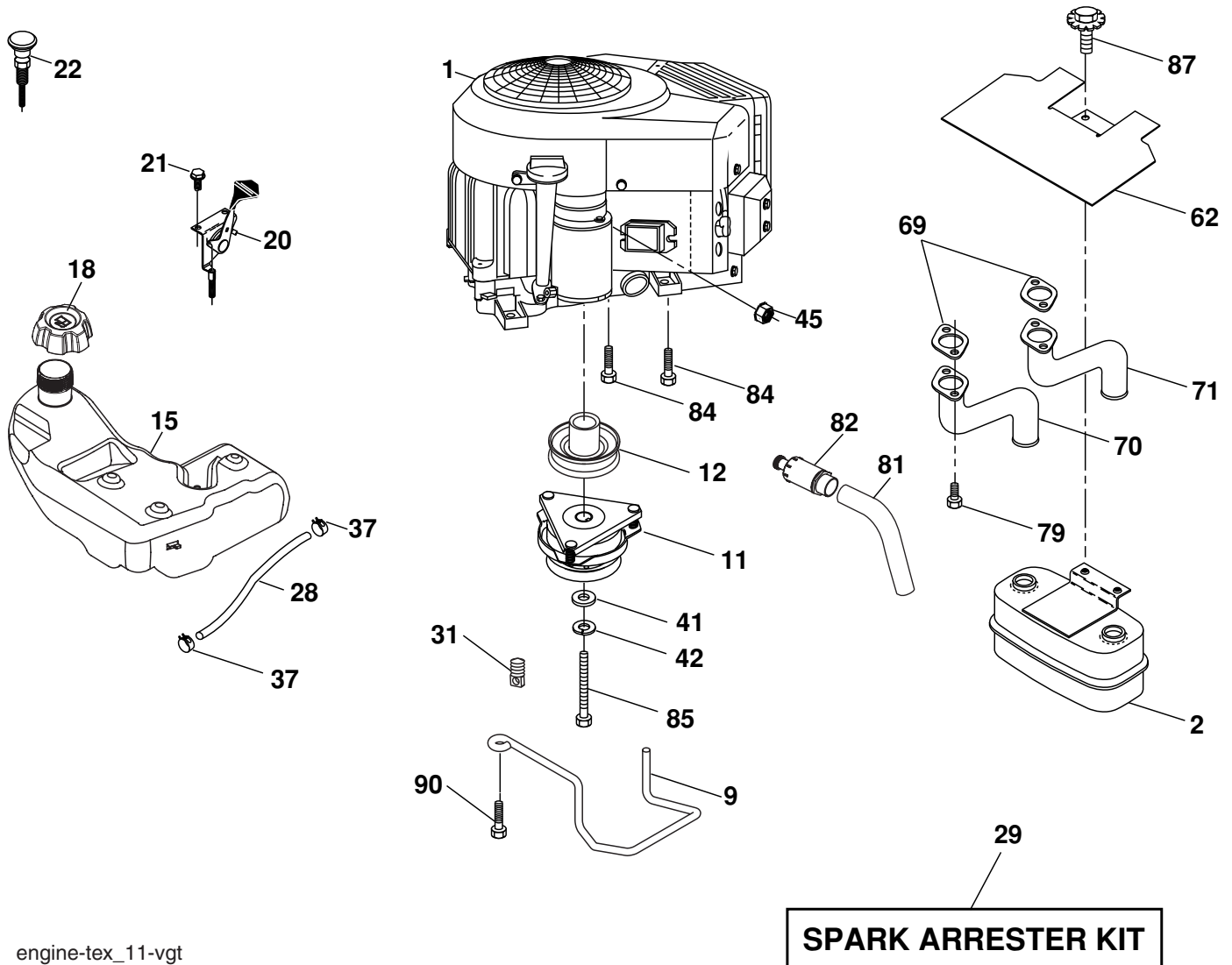
seat-tex_7-vgt

KEY NO.	PART NO.	DESCRIPTION
1	401545	Seat
2	180166	Bracket Pivot Fender
3	140675	Strap, Asm Fender
5	145006	Clip, Push In, Hinged
6	73800600	Nut, Lock W/Ins. 3/8-16 unc
7	124181X	Spring, Seat Cprsn
8	171877	Bolt 5/16-18 uncx 3/4 w/Sems
10	196977	Pan, Seat

KEY NO.	PART NO.	DESCRIPTION
14	72050412	Bolt Rdhd Sht Nk 1/4-20 x 1-1/2
21	171852	Bolt, Shoulder 5/16-18
37	73800500	Nut, Lock 5/16-18 unc
40	197661	Handle Slide Seat
41	198200	Spring Latch Seat
43	74760612	Bolt Fin Hex 3/8-16 UNC x 3/4
44	19133812	Washer 13/32 x 2-3/8 x 12Ga.

NOTE: All component dimensions given in U.S. inches
1 inch = 25.4 mm

TRACTOR - MODEL NO. SO21H48YT (96042001200), PRODUCT NO. 960 42 00-12 ENGINE



engine-tex_11-vgt

SPARK ARRESTER KIT

KEY NO.	PART NO.	DESCRIPTION
1	-----	Engine Briggs Model No. 441677
2	149723	Muffler
9	194319	Keeper Belt Engine
11	179334	Clutch Electric
12	402980	Pulley Engine
15	400021	Tank Fuel 3.0
18	195951	Cap Asm
20	175437X428	Control Throttle
21	191611	Screw 10 x 3/4 Single Lead-Hex
22	187766X428	Control Choke
28	401135	Fuel Line
29	137180	Spark Arrester Kit
31	145006	Clip Push-In Hinged
37	123487X	Clamp Hose
41	126197X	Washer 1-1/2 OD x 15/32 ID x .250
42	10040700	Washer Lock 7/16
45	73510400	Nut Keps Hex 1/4-20 unc
62	146629	Shield Heat Muffler
69	165391	Gasket

KEY NO.	PART NO.	DESCRIPTION
70	159955	Exhaust Tube RH
71	160589	Exhaust Tube LH
79	183906	Screw Socket Head 5/16-18 x 1
81	148456	Tube Drain Oil Easy
82	181654	Plug Drain Oil
84	17060620	Screw 3/8-16 x 1-1/4
85	150280	Bolt Hex 7/16-20 x 4 x 1/4 5 Ga.
87	171877	Bolt 5/16-18 x 3/4
90	17060616	Screw 3/8-16 x 1

NOTE: All component dimensions given in U.S. inches
1 inch = 25.4 mm

For engine service and replacement parts, call the toll free number for your engine manufacturer listed below:

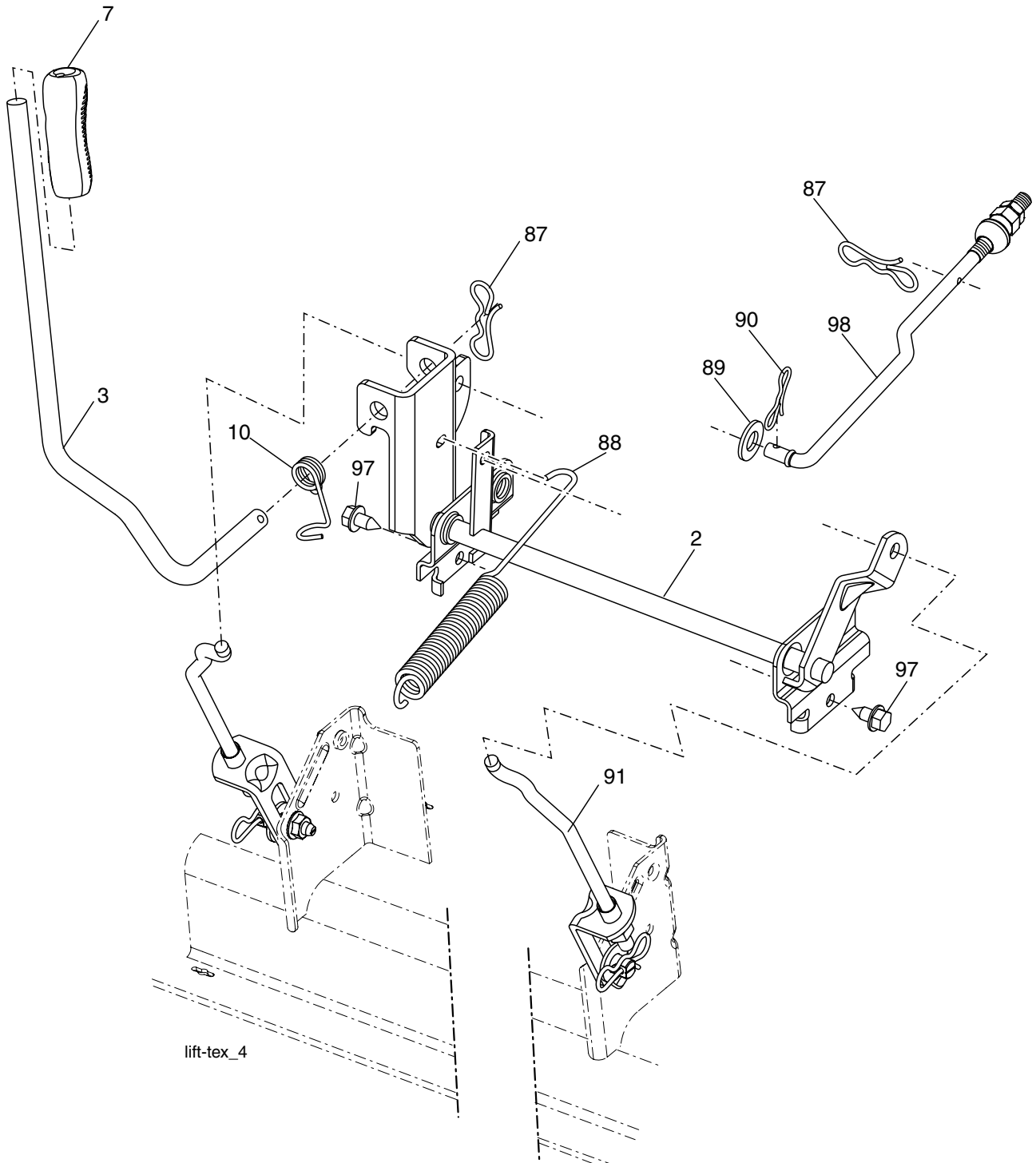
Briggs & Stratton	1-800-233-3723
Kohler Co.	1-800-544-2444
Tecumseh Products	1-800-558-5402
Honda Engines	1-800-426-7701
Kawasaki	1-949-460-5688

**TRACTOR - MODEL NO. SO21H48YT (96042001200), PRODUCT NO. 960 42 00-12
MOWER DECK**

KEY NO.	PART NO.	DESCRIPTION	KEY NO.	PART NO.	DESCRIPTION
1	197216	Deck Weldment Mower	46	137729	Screw, Thdroll. 1/4-20 x 5/8
6	197248	Cover Mandrel LH	47	197242	Belt Drive Deck
7	199102	Cover Mandrel RH	48	193197	Pulley Idler Primary
8	174365	Bolt 7/16 Asm. Blade	49	73900600	Nut, Lock Flg. 3/8-16 unc
11	180054	Blade High Lift	50	17490636	Screw 3/8-16 x 1-1/4 unc
--	173921	Blade Mulching	52	197379	Pulley Idler
12	400337	Rod Anti-Sway	54	72110612	Bolt Carriage 3/8-16 x 1-1/2 Gr.5
13	187291	Shaft Asm. w/Lower Bearing	97	178515	Washer Hardened
14	187281	Housing, Mandrel	98	196105	Spring Drive
15	110485X	Bearing, Ball, Mandrel	113	72110508	Bolt Rdhd Sqnk 5/16-18 x 3/4
16	19131312	Washer 13/23 x 13/16 x 1 2Ga.	114	197451	Rod Tension Relief
17	72110505	Bolt Carr. 5/16-18 x 5/8	116	4898H	Bolt, Shoulder
18	72140505	Bolt RdHd 5/16-18 unc x 5/8	117	188606	Gauge Wheel
19	194208	Pin Cotter 5/16 Bowtie Lock	118	73930600	Nut Centerlock 3/8-16 UNC
20	174378	Baffle Vortex	119	19121414	Washer 3/8 x 7/8 x 14 Ga.
21	73680500	Nut, Crownlock 5/16-18 unc	120	19132012	Washer 13/32 x 1-1/4 x 12 Ga.
22	174493	Stripper Mandrel Deck	122	187557	Bushing Tension Relief
24	105304X	Cap Sleeve	185	73900700	Nut Lock Flange 7/16-14 Gr. 5
25	178102	Spring, Torsion	187	195161	Stud Fastener w/"D" Anti-Rotation
26	110452X	Nut, Push	188	739000500	Nut Lock Hex Flange
27	180655X428	Deflector Shield	189	195185	Arm Susp. Mower Rear
29	131491	Rod, Hinge	190	196539	Bolt Shoulder
30	173984	Screw, Thdroll Washer Head	194	72140716	Bolt Carr Sqnk 3/8-16 x 2-1/4
31	187690	Washer, Spacer Mower Vented	--	187292	Mandrel Asm. Service (Includes Key Nos. 13-15 and 33)
32	153532	Pulley, Mandrel	--	402669	Replacement Mower, Complete
33	400234	Nut, Flg. Top Lock			
39	197380	Pulley, Idler, Stationary			
43	196065	Arm, Idler			

NOTE: All component dimensions given in U.S. inches
1 inch = 25.4 mm

**TRACTOR - MODEL NO. SO21H48YT (96042001200), PRODUCT NO. 960 42 00-12
MOWER LIFT**



lift-tex_4

KEY NO.	PART NO.	DESCRIPTION
2	195223	Shaft Asm., Lift
3	195231	Lever Asm., Lift Rh
7	196492	Grip, Lever
10	196314	Spring Torsion
87	194209	Pin Cotter 7/16 Bow Tie Lock
88	195303	Spring Lift Assist
89	19191912	Washer Clear Zinc

KEY NO.	PART NO.	DESCRIPTION
90	194208	Pin Cotter 5/16 Bow Tie Lock
91	195181	Link Asm. Lift Rear
97	17060612	Screw 3/8-16 x .75 Smgml Tap/ R.Z
98	195264	Link Lift Susp. Front Mower

NOTE: All component dimensions given in U.S. inches
1 inch = 25.4 mm