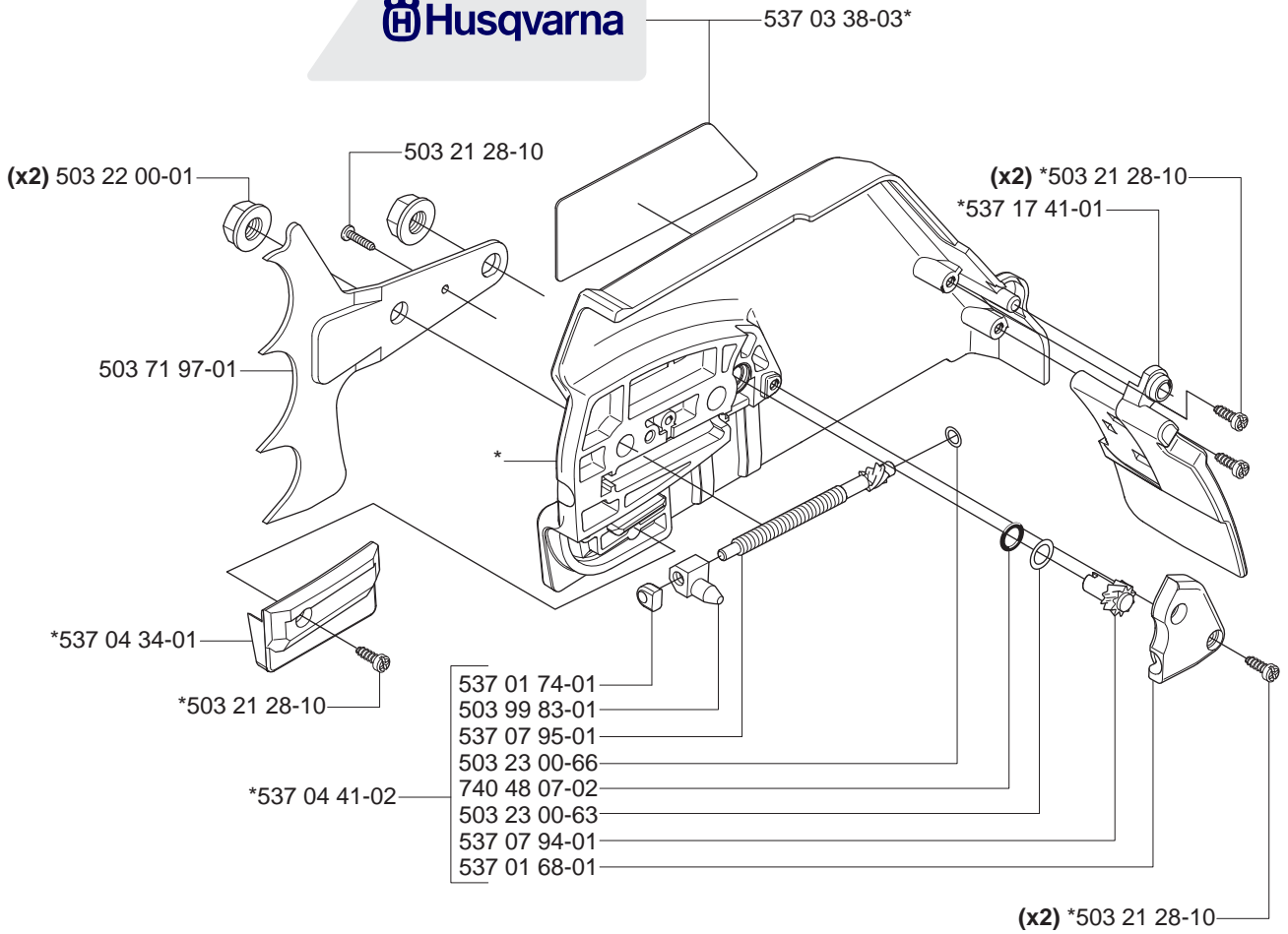


365H

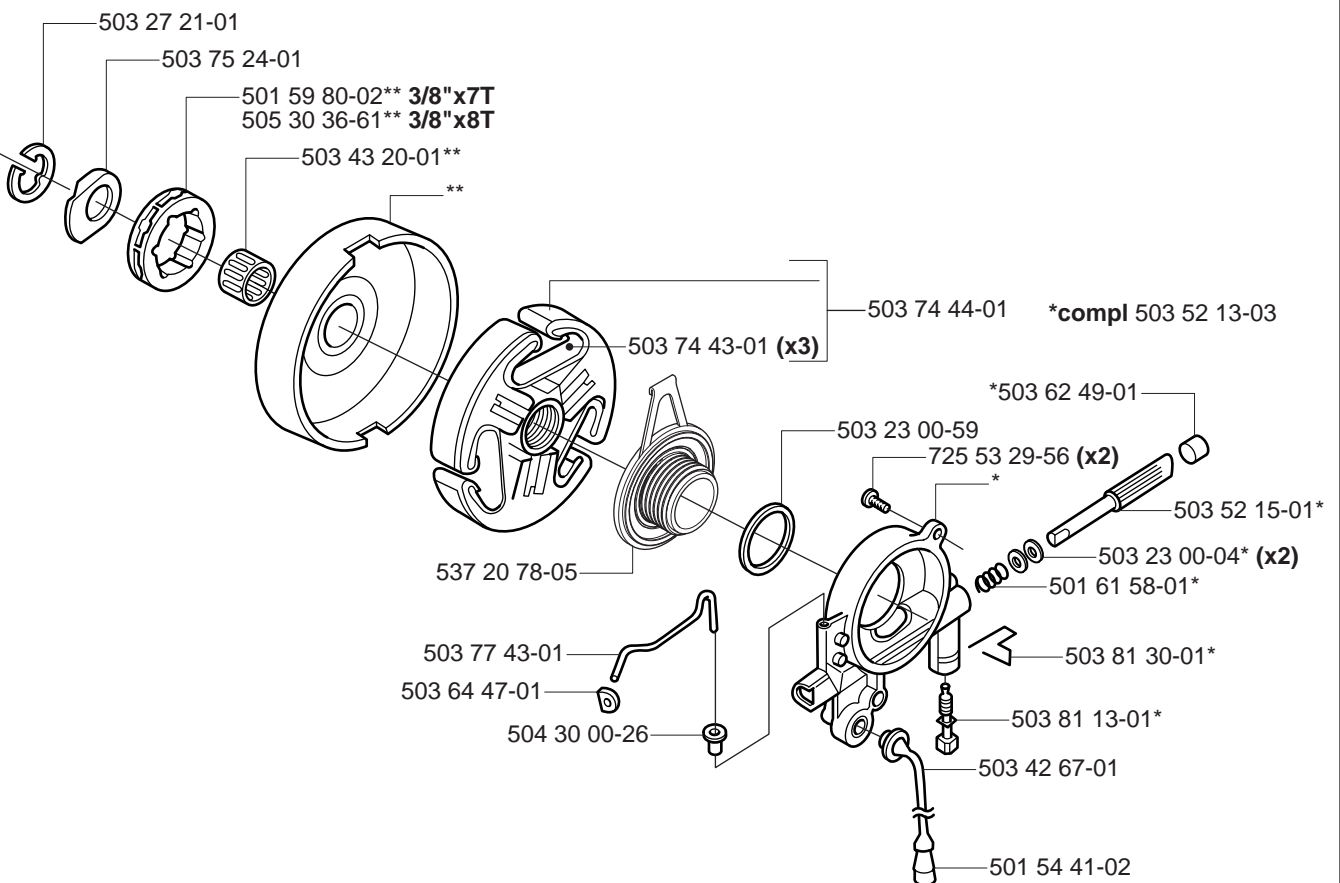
Spare parts
Ersatzteile
Pièces détachées
Reserve onderdelen
Repuestos
Reservdelar

A *compl 537 33 10-01

Husqvarna

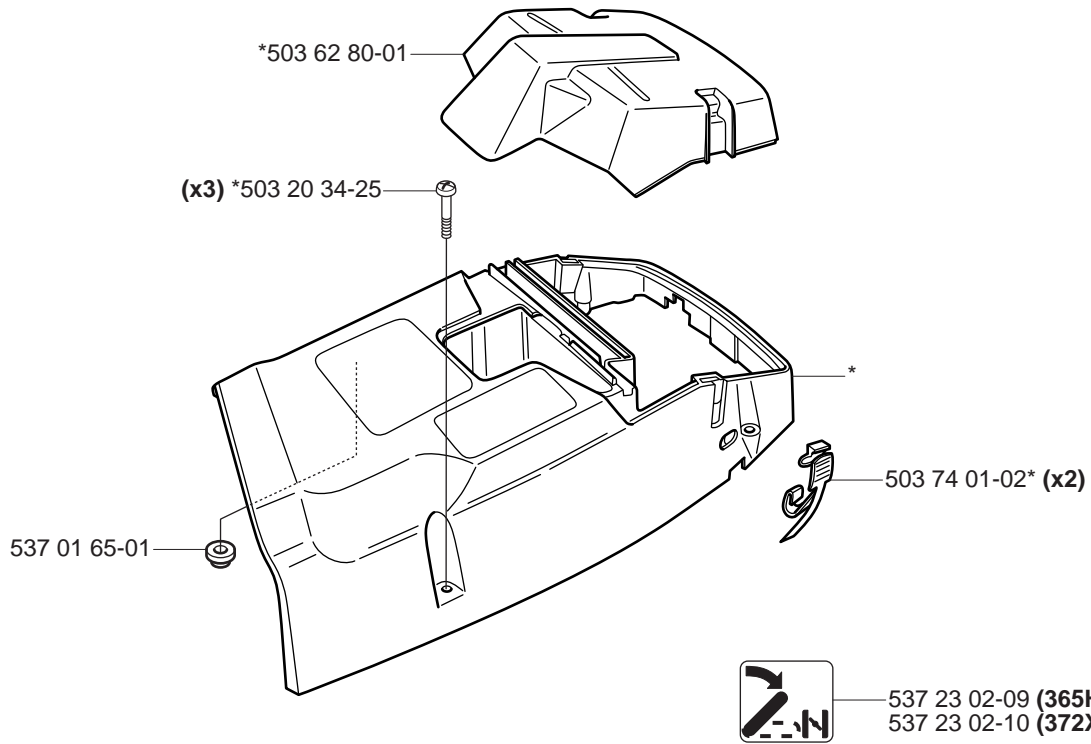


B **compl 537 03 62-05 (3/8"x7T)
**compl 537 03 62-06 (3/8"x8T)

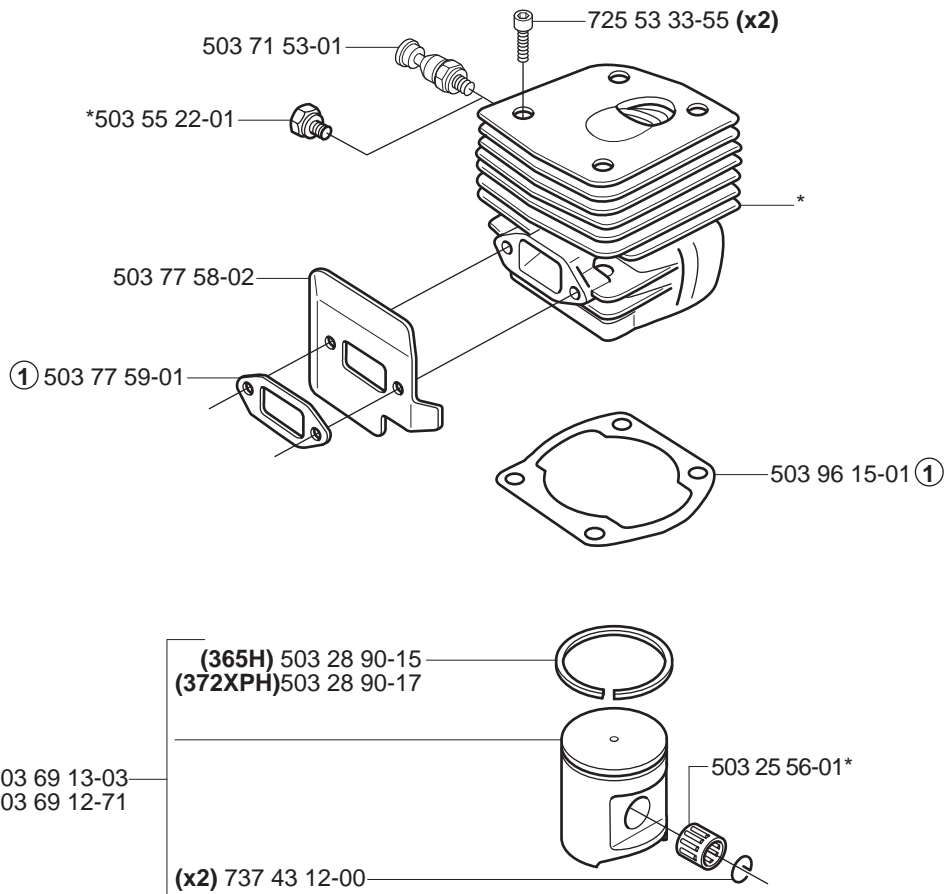


C *compl 503 62 78-07

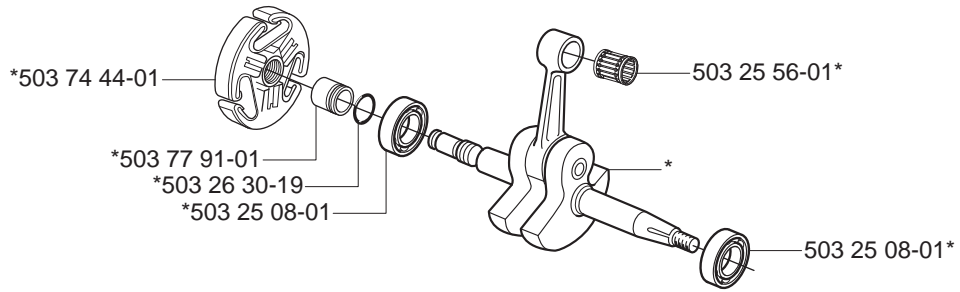
*503 98 74-01



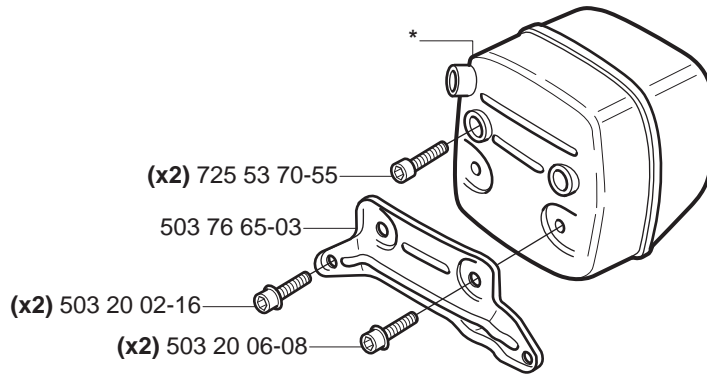
D *compl 503 93 90-05 (365H)
*compl 503 62 64-73 (372XPH)



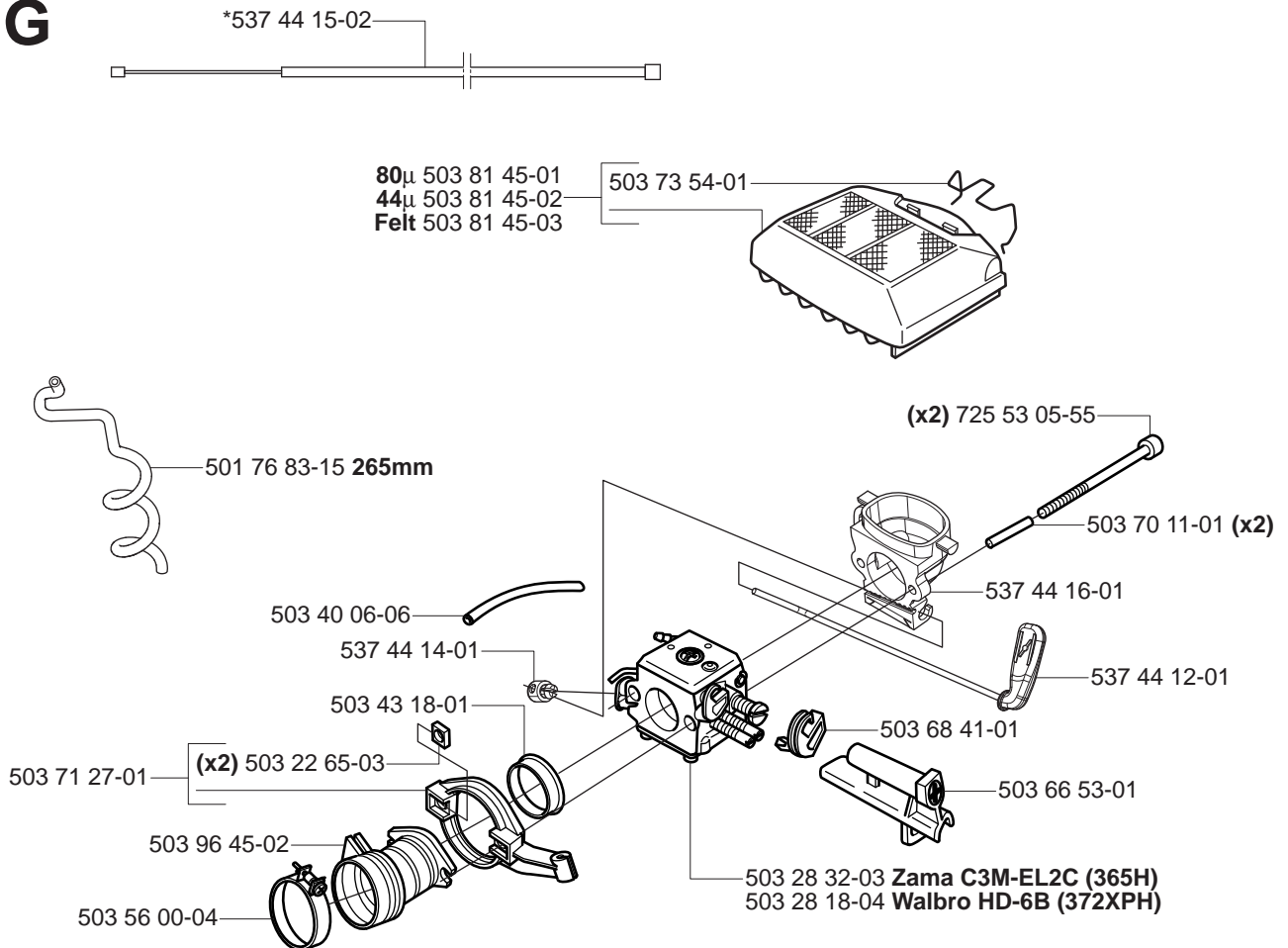
E *compl 544 38 45-01

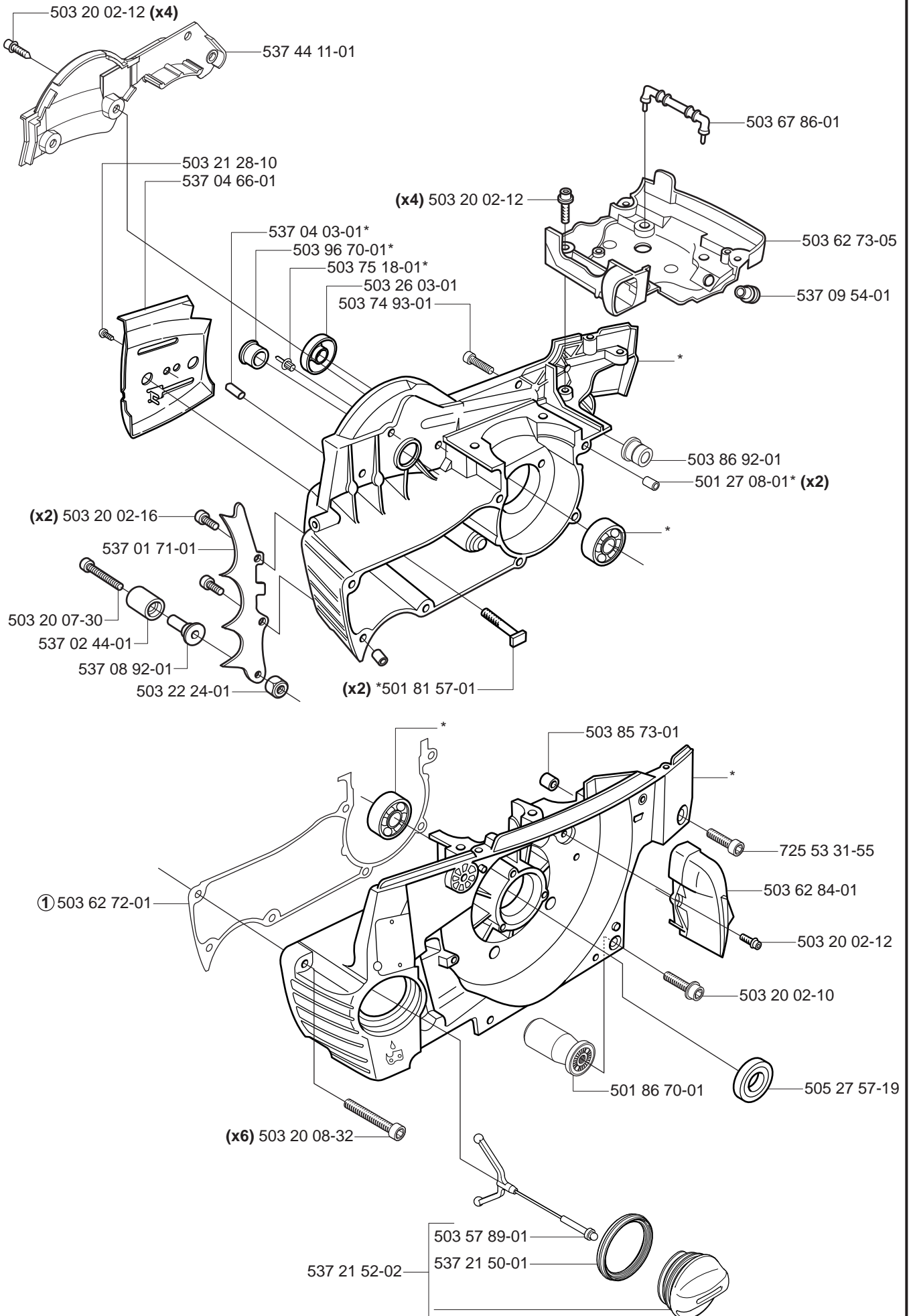


F *compl 503 76 53-01 Std

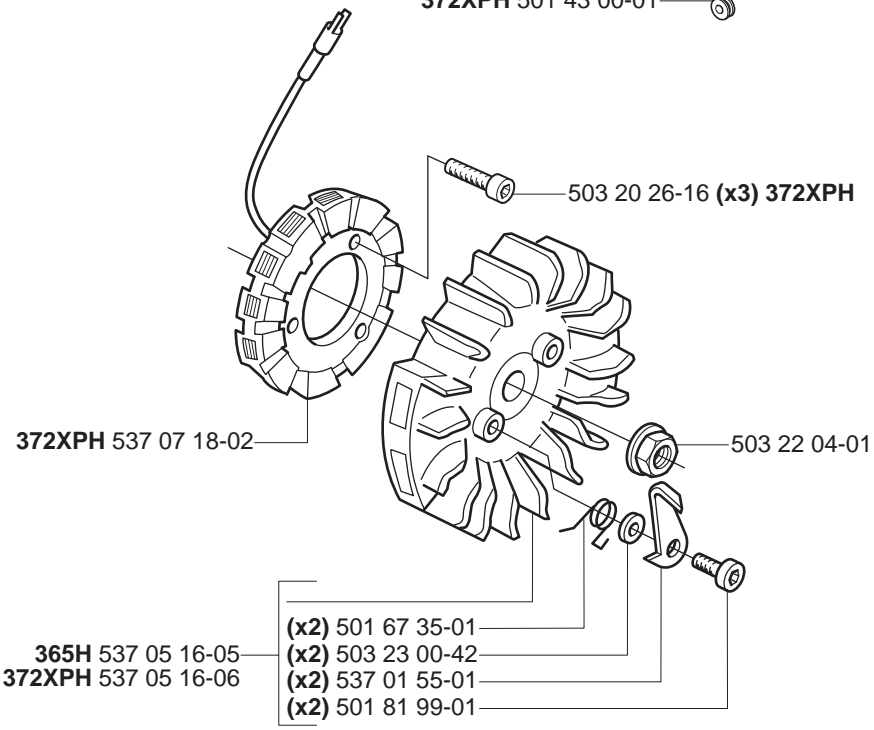
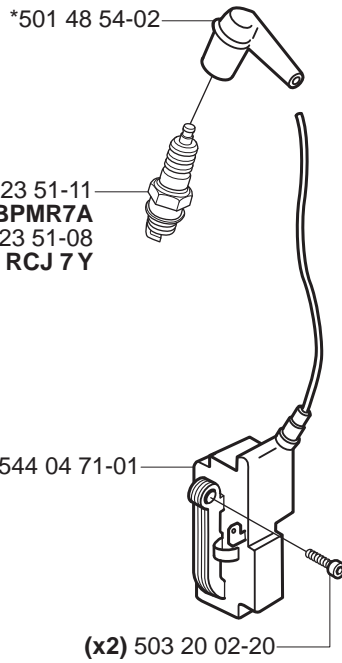
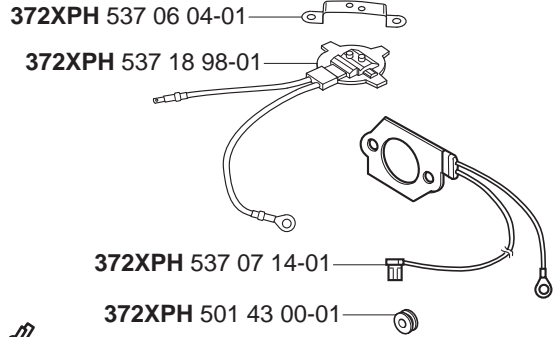
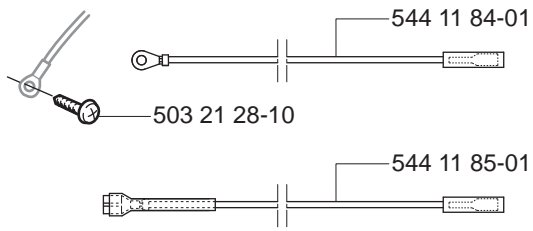


G



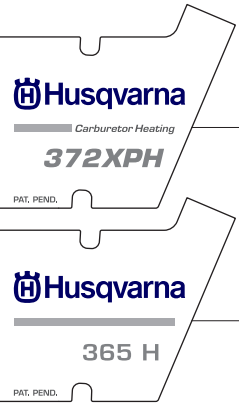
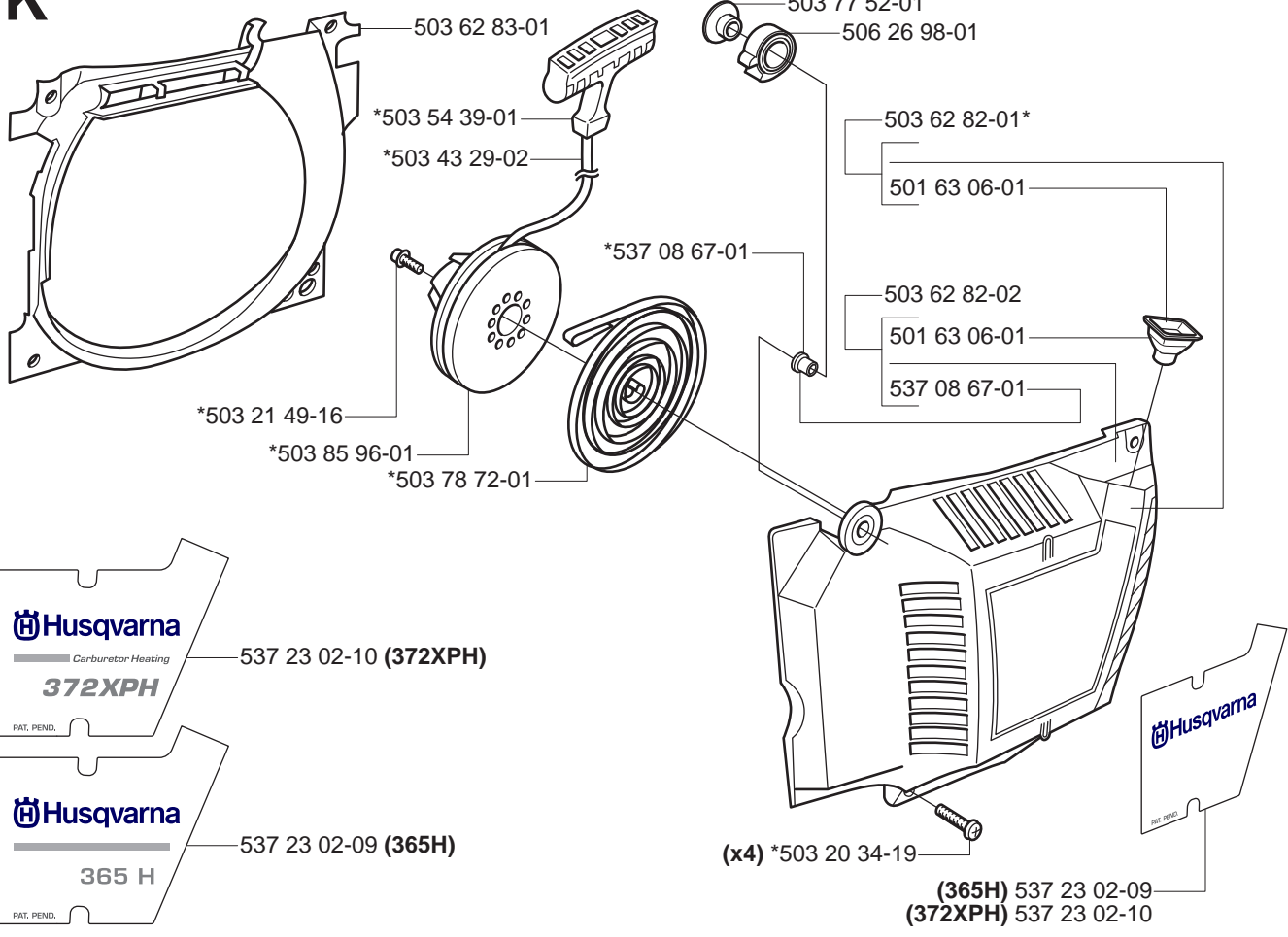
H***compl 503 62 68-76**

J



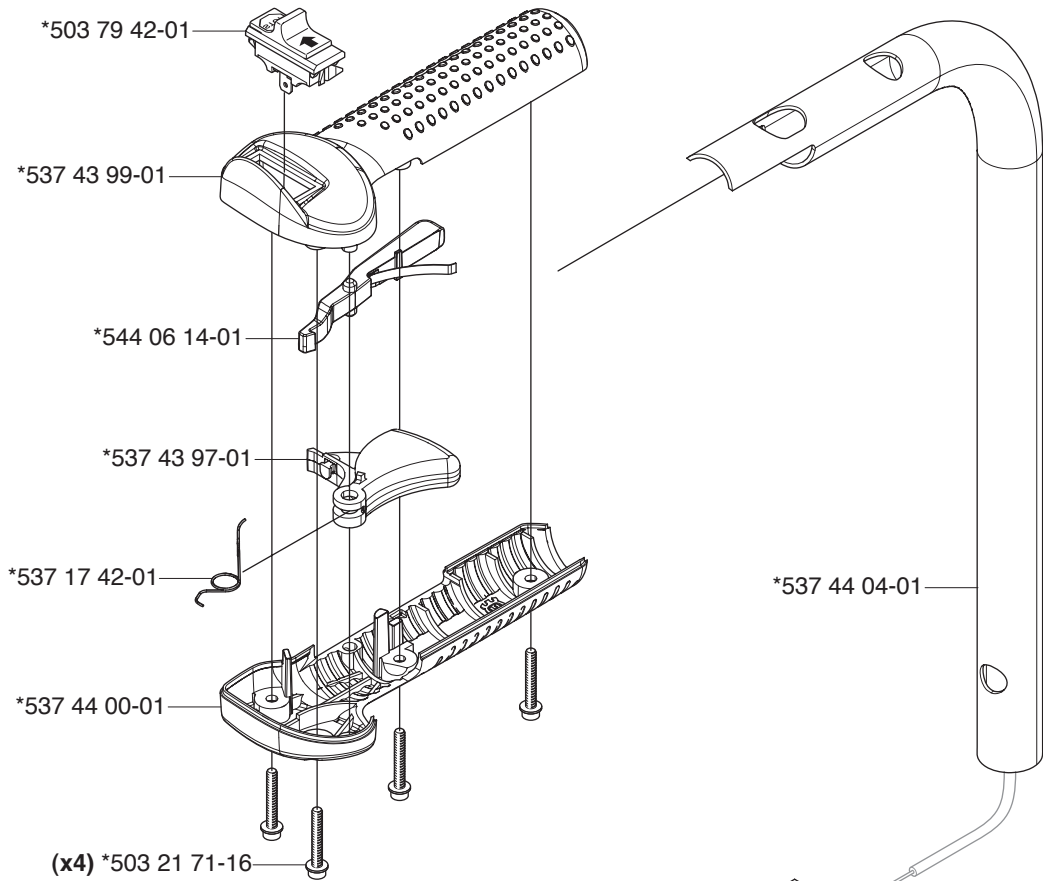
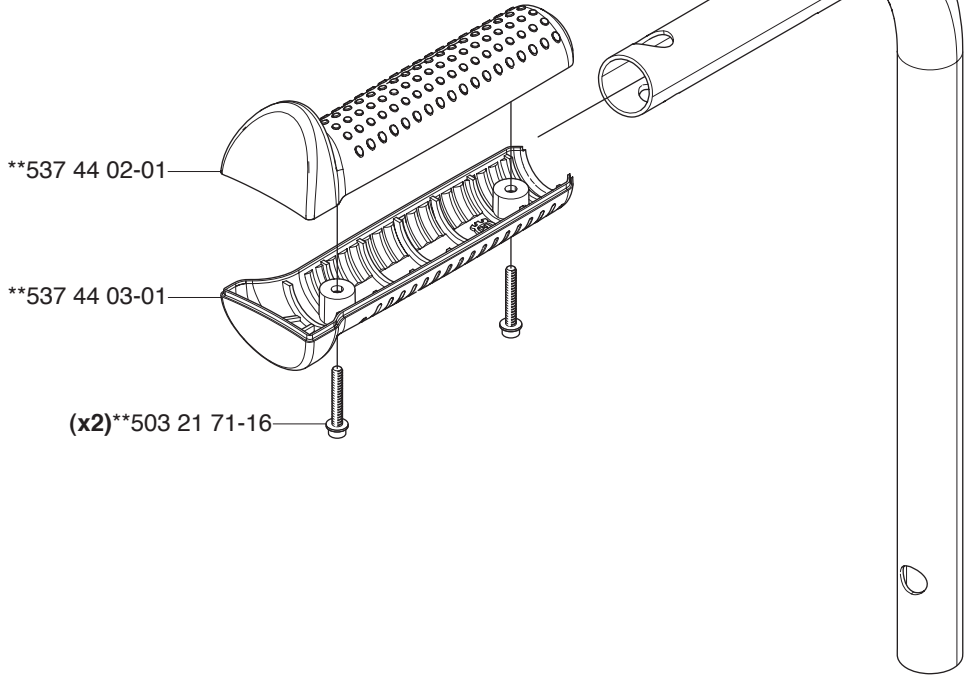
K

*compl 503 62 81-71

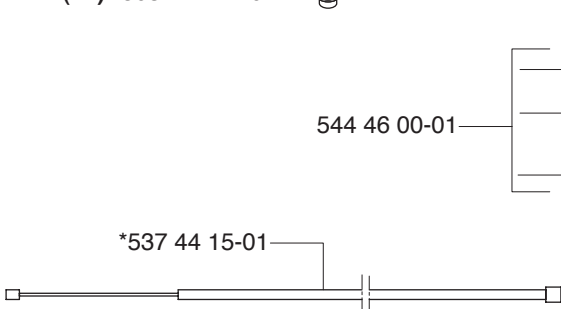




****compl 537 44 01-01**



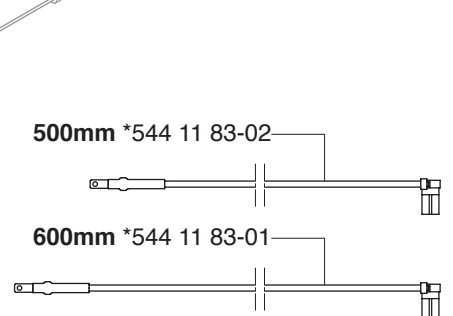
***537 44 04-01** — Main housing



544 46 00-01 — Cable connector

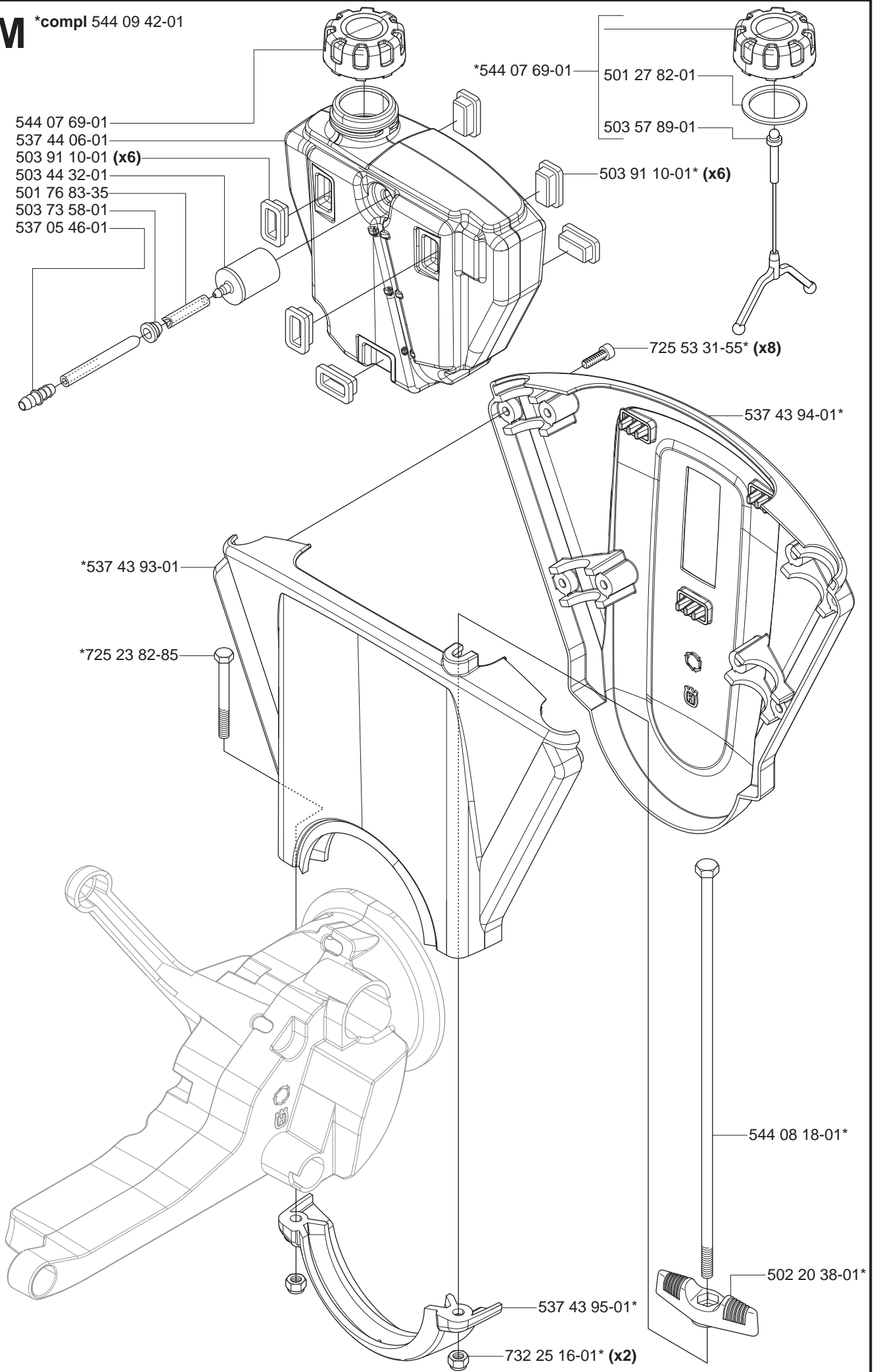
500mm *544 11 83-02 — Cable

600mm *544 11 83-01 — Cable



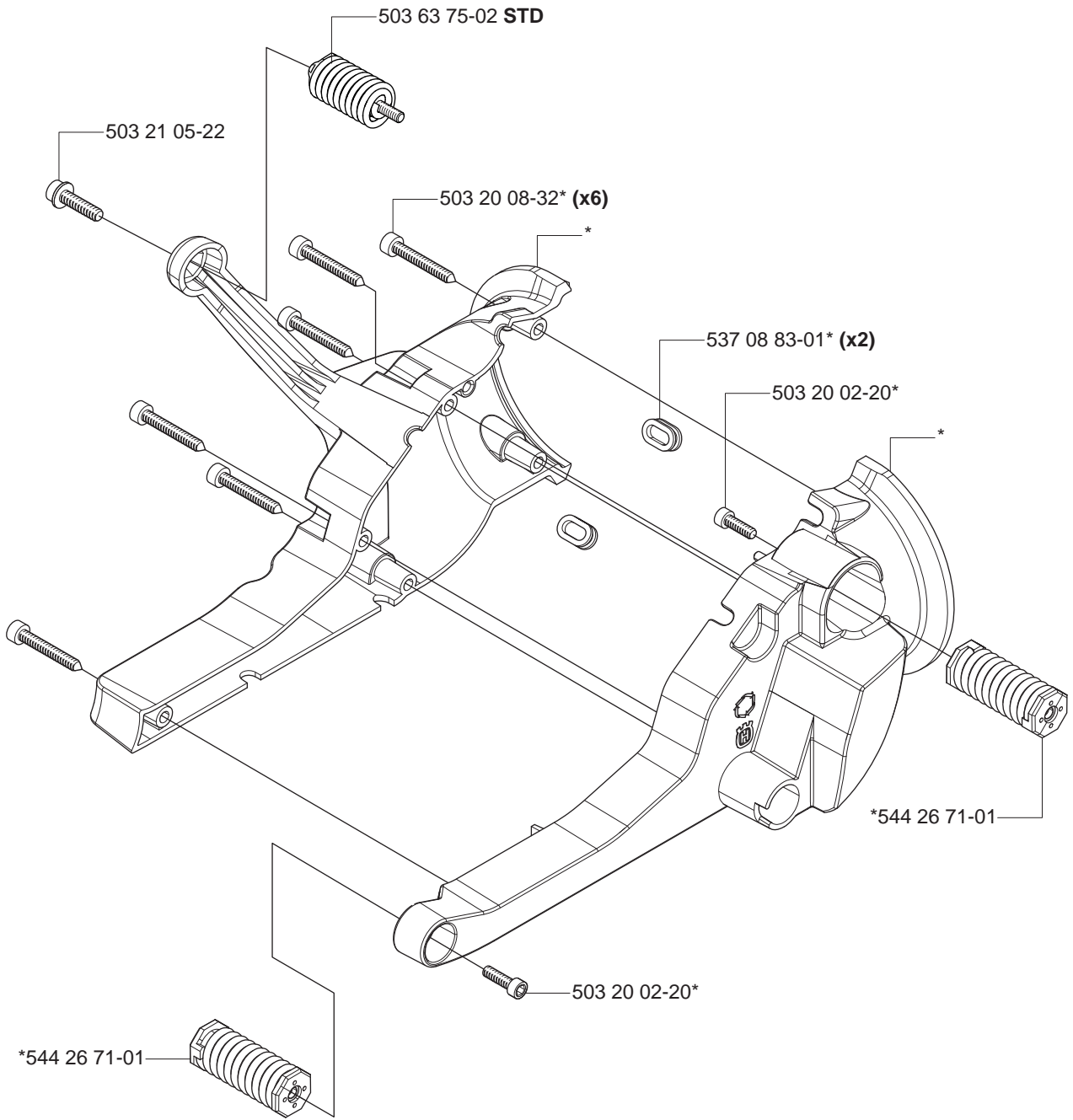
M

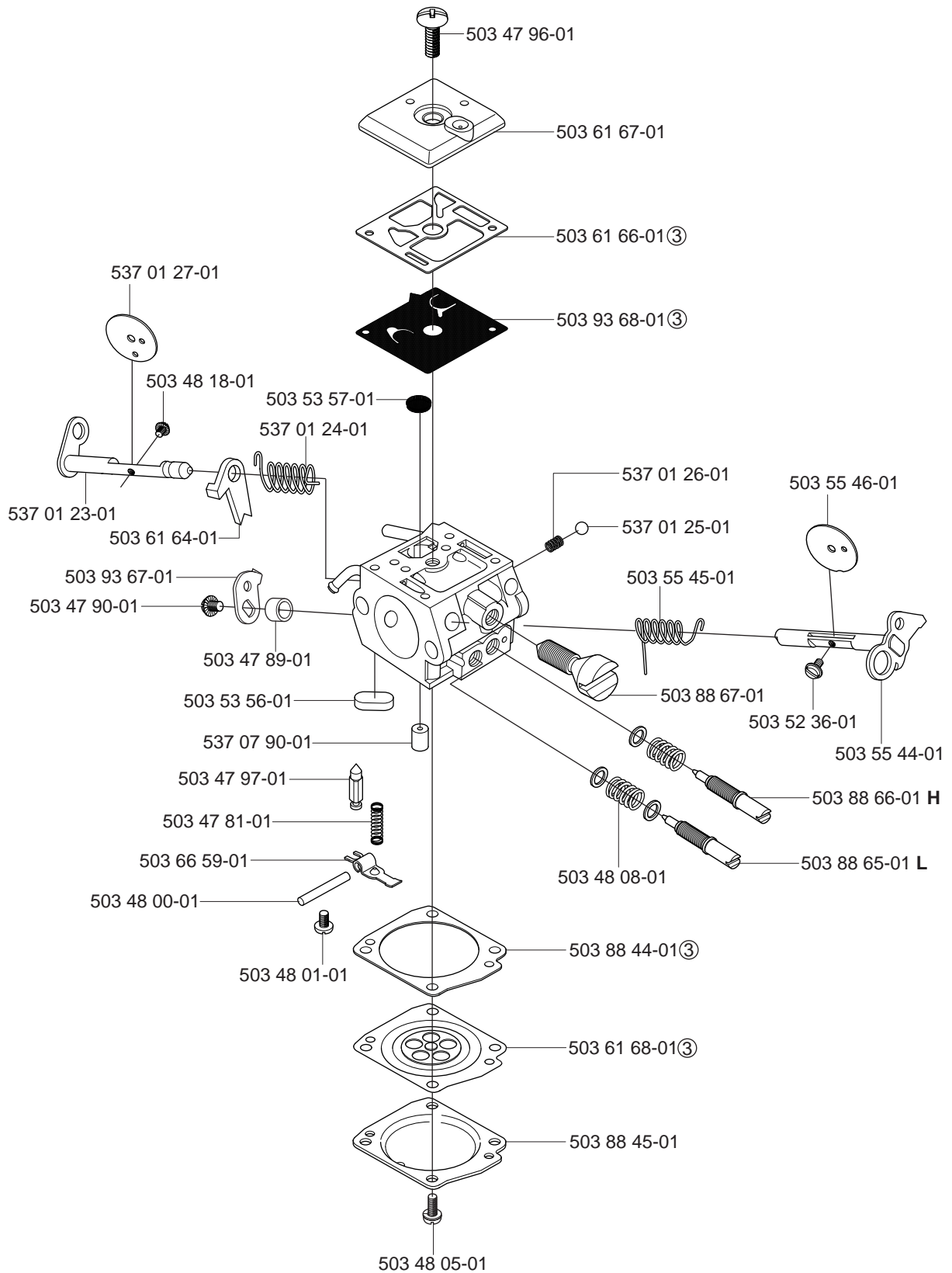
*compl 544 09 42-01



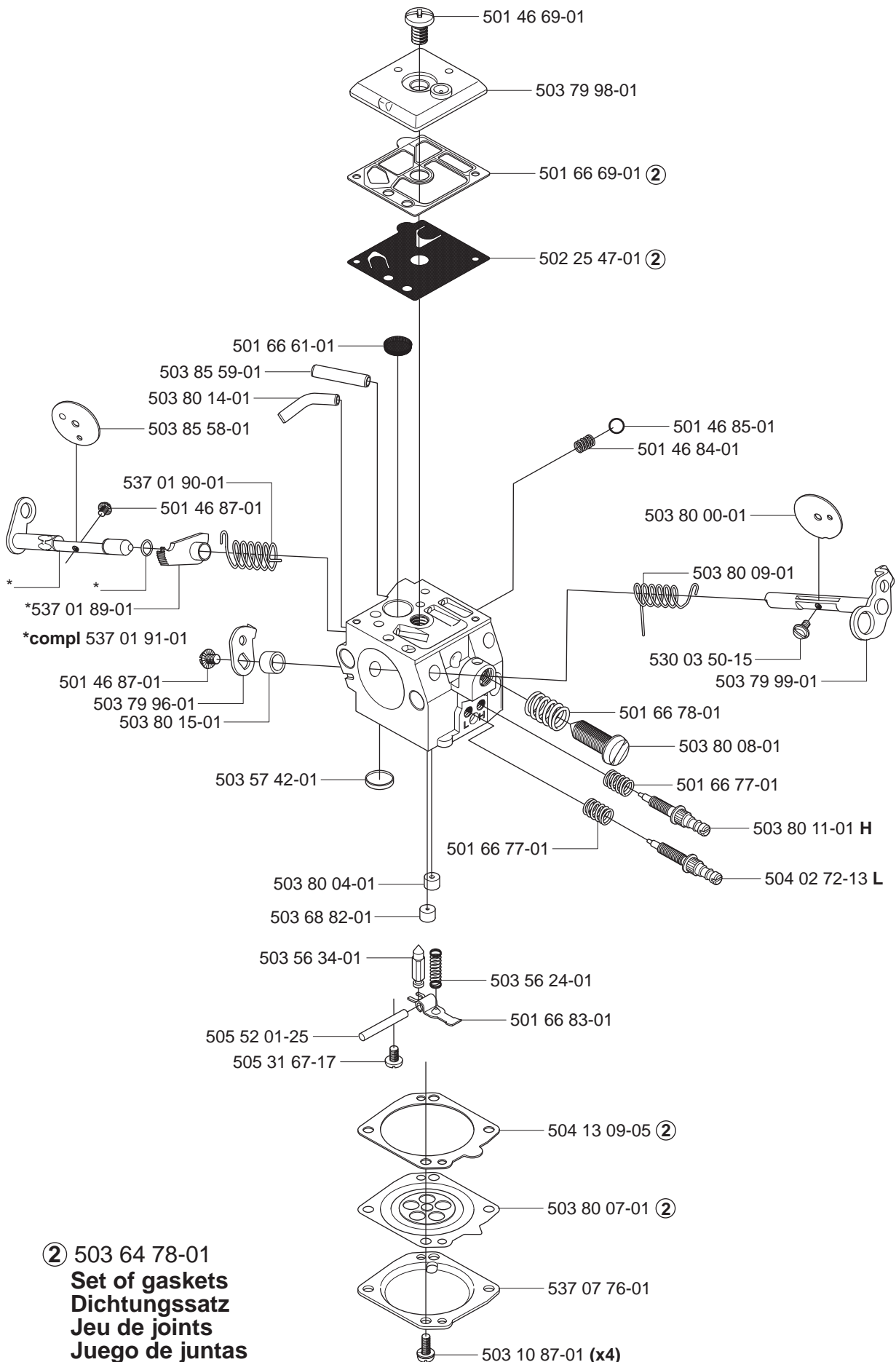
N

*compl 544 09 39-01





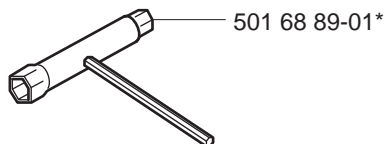
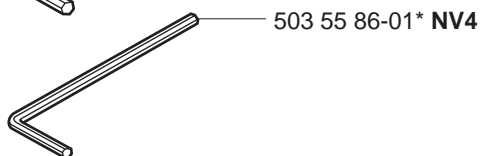
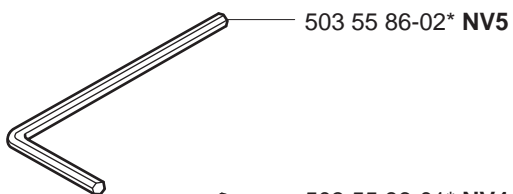
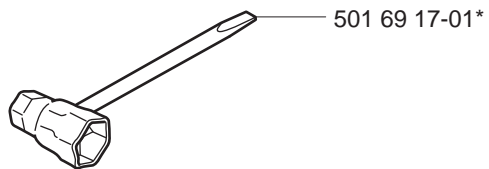
- ③ 503 56 46-01
Set of gaskets
Dichtungssatz
Jeu de joints
Juego de juntas
Packningssatz



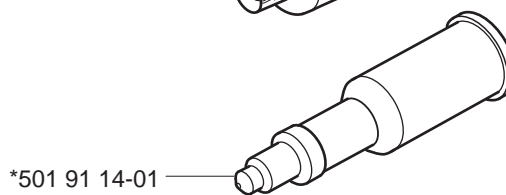
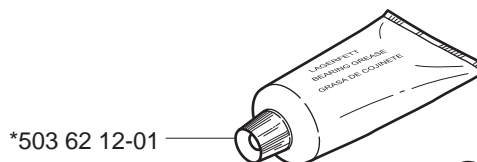
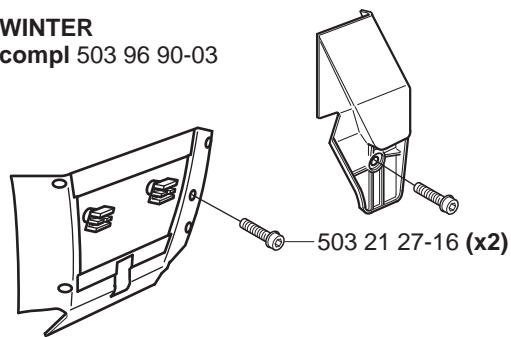
(2) 503 64 78-01
Set of gaskets
Dichtungssatz
Jeu de joints
Juego de juntas
Packningssats

R Accessories
Zubehöre
Accessories
Accesorios
Tillbehör

*compl 503 55 85-03



WINTER
compl 503 96 90-03



PART NUMBER	SQUARE	NOTE	PART NUMBER	SQUARE	NOTE	PART NUMBER	SQUARE	NOTE	PART NUMBER	SQUARE	NOTE
501 27 08-01	H		503 25 08-01	E		503 66 59-01	P		505 31 67-17	Q	
501 27 82-01	M		503 25 08-01	E		503 67 86-01	H		505 52 01-25	Q	
501 43 00-01	J		503 25 56-01	D		503 68 41-01	G		506 26 98-01	K	
501 46 69-01	Q		503 25 56-01	E		503 68 82-01	Q		530 03 50-15	Q	
501 46 84-01	Q		503 26 03-01	H		503 69 12-01	D		537 01 23-01	P	
501 46 85-01	Q		503 26 30-19	E		503 69 13-03	D		537 01 24-01	P	
501 46 87-01	Q		503 27 21-01	B		503 70 11-01	G		537 01 25-01	P	
501 46 87-01	Q		503 28 18-04	G		503 71 27-01	G		537 01 26-01	P	
501 48 54-02	J		503 28 18-04	Q		503 71 53-01	D		537 01 27-01	P	
501 54 41-02	B		503 28 32-03	G		503 71 97-01	A		537 01 37-01	H	
501 59 80-02	B		503 28 32-03	P		503 73 54-01	G		537 01 55-01	J	
501 61 58-01	B		503 28 90-15	D		503 73 58-01	M		537 01 65-01	C	
501 63 06-01	K		503 28 90-17	D		503 74 01-02	C		537 01 68-01	A	
501 63 06-01	K		503 40 06-06	G		503 74 43-01	B		537 01 71-01	H	
501 66 61-01	Q		503 42 67-01	B		503 74 44-01	B		537 01 74-01	A	
501 66 69-01	Q	2	503 43 18-01	G		503 74 44-01	E		537 01 89-01	Q	
501 66 77-01	Q		503 43 20-01	B		503 74 93-01	H		537 01 90-01	Q	
501 66 77-01	Q		503 43 29-02	K		503 75 18-01	H		537 01 91-01	Q	
501 66 78-01	Q		503 44 32-01	M		503 75 24-01	B		537 02 44-01	H	
501 66 83-01	Q		503 47 81-01	P		503 76 53-01	F		537 03 38-03	A	
501 67 35-01	J		503 47 89-01	P		503 76 65-03	F		537 03 62-05	B	
501 68 89-01	R		503 47 90-01	P		503 77 43-01	B		537 03 62-06	B	
501 69 17-01	R		503 47 96-01	P		503 77 52-01	K		537 04 03-01	H	
501 76 83-15	G		503 47 97-01	P		503 77 58-02	D		537 04 34-01	A	
501 76 83-35	M		503 48 00-01	P		503 77 59-01	D	1	537 04 41-02	A	
501 81 57-01	H		503 48 01-01	P		503 77 91-01	E		537 04 66-01	H	
501 81 99-01	J		503 48 05-01	P		503 78 72-01	K		537 05 16-05	J	
501 86 70-01	H		503 48 08-01	P		503 79 42-01	L		537 05 16-06	J	
501 91 14-01	R		503 48 18-01	P		503 79 96-01	Q		537 05 46-01	M	
502 20 38-01	M		503 52 13-03	B		503 79 98-01	Q		537 06 04-01	J	
502 25 47-01	Q	3	503 52 15-01	B		503 79 99-01	Q		537 07 14-01	J	
503 10 87-01	Q		503 52 36-01	P		503 80 00-01	Q		537 07 18-02	J	
503 20 02-10	H		503 53 56-01	P		503 80 04-01	Q		537 07 76-01	Q	
503 20 02-12	H		503 53 57-01	P		503 80 07-01	Q	2	537 07 90-01	P	
503 20 02-12	H		503 54 39-01	K		503 80 08-01	Q		537 07 94-01	A	
503 20 02-12	H		503 55 22-01	D		503 80 09-01	Q		537 07 95-01	A	
503 20 02-16	F		503 55 44-01	P		503 80 11-01	Q		537 08 67-01	K	
503 20 02-16	H		503 55 45-01	P		503 80 14-01	Q		537 08 67-01	K	
503 20 02-20	J		503 55 46-01	P		503 80 15-01	Q		537 08 83-01	N	
503 20 02-20	N		503 55 86-01	R		503 81 13-01	B		537 08 92-01	H	
503 20 02-20	N		503 55 86-02	R		503 81 30-01	B		537 09 54-01	H	
503 20 06-08	F		503 56 00-04	G		503 81 45-01	G		537 17 41-01	A	
503 20 07-30	H		503 56 24-01	Q		503 81 45-02	G		537 17 42-01	L	
503 20 08-32	H		503 56 34-01	Q		503 81 45-03	G		537 18 98-01	J	
503 20 08-32	N		503 56 46-01	P	compl 3	503 85 58-01	Q		537 20 78-05	B	
503 20 26-16	J		503 57 42-01	Q		503 85 59-01	Q		537 21 50-01	H	
503 20 34-19	K		503 57 89-01	H		503 85 73-01	H		537 21 52-02	H	
503 20 34-25	C		503 57 89-01	M		503 85 96-01	K		537 23 02-09	C	
503 21 05-22	N		503 61 64-01	P		503 86 92-01	H		537 23 02-09	K	
503 21 27-16	R		503 61 66-01	P	3	503 88 44-01	P	3	537 23 02-09	K	
503 21 28-10	A		503 61 67-01	P		503 88 45-01	P		537 23 02-10	C	
503 21 28-10	A		503 61 68-01	P	3	503 88 65-01	P		537 23 02-10	K	
503 21 28-10	A		503 62 12-01	R		503 88 66-01	P		537 23 02-10	K	
503 21 28-10	A		503 62 49-01	B		503 88 67-01	P		537 33 10-01	A	
503 21 28-10	H		503 62 64-73	D		503 91 10-01	M		537 43 93-01	M	
503 21 28-10	J		503 62 68-76	H		503 91 10-01	M		537 43 94-01	M	
503 21 49-16	K		503 62 72-01	H	1	503 93 67-01	P		537 43 95-01	M	
503 21 71-16	L		503 62 73-05	H		503 93 68-01	P	3	537 43 96-01	L	
503 21 71-16	L		503 62 78-07	C		503 93 90-05	D		537 43 97-01	L	
503 22 00-01	A		503 62 80-01	C		503 96 15-01	D	1	537 43 99-01	L	
503 22 04-01	J		503 62 81-71	K		503 96 45-02	G		537 44 00-01	L	
503 22 24-01	H		503 62 82-01	K		503 96 70-01	H		537 44 01-01	L	
503 22 65-03	G		503 62 82-02	K		503 96 90-03	R		537 44 02-01	L	
503 23 00-04	B		503 62 83-01	K		503 98 74-01	C		537 44 03-01	L	
503 23 00-42	J		503 62 84-01	H		503 99 83-01	A		537 44 04-01	L	
503 23 00-59	B		503 63 75-02	N		504 02 72-13	Q		537 44 06-01	M	
503 23 00-63	A		503 64 47-01	B		504 13 09-05	Q	2	537 44 11-01	H	
503 23 00-66	A		503 64 72-01		compl 1	504 30 00-26	B		537 44 12-01	G	
503 23 51-08	J		503 64 78-01	Q	compl 2	505 27 57-19	H		537 44 14-01	G	
503 23 51-11	J		503 66 53-01	G		505 30 36-61	B		537 44 15-01	L	

1 = 503 64 72-01
2 = 503 64 78-01
3 = 503 56 46-01

Set of gaskets, Dichtungssatz,
Jeu de joints, Juego de juntas,
Packingssatz

N = New part, Neues teil,
Nouvelle piece, Nueva pieza
Ny detalj

PART NUMBER	SQUARE	NOTE	PART NUMBER	SQUARE	NOTE	PART NUMBER	SQUARE	NOTE	PART NUMBER	SQUARE	NOTE
537 44 15-02		G									
537 44 16-01		G									
544 04 71-01		J									
544 06 14-01		L									
544 07 69-01		M									
544 07 69-01		M									
544 08 18-01		M									
544 09 39-01		N									
544 09 42-01		M									
544 11 83-01		L									
544 11 83-02		L									
544 11 84-01		J									
544 11 85-01		J									
544 26 71-01		N									
544 26 71-01		N									
544 38 45-01		E									
544 46 00-01		L									
725 23 82-85		M									
725 53 05-55		G									
725 53 29-56		B									
725 53 31-55		H									
725 53 31-55		M									
725 53 33-55		D									
725 53 70-55		F									
732 25 16-01		M									
737 43 12-00		D									
740 48 07-02		A									

1 = 503 64 72-01
2 = 503 64 78-01
3 = 503 56 46-01

Set of gaskets, Dichtungssatz,
Jeu de joints, Juego de juntas,
Packningssatz

N = New part, Neues teil,
Nouvelle piece, Nueva pieza
Ny detalj