

spare parts

**2003**

# CONTENTS



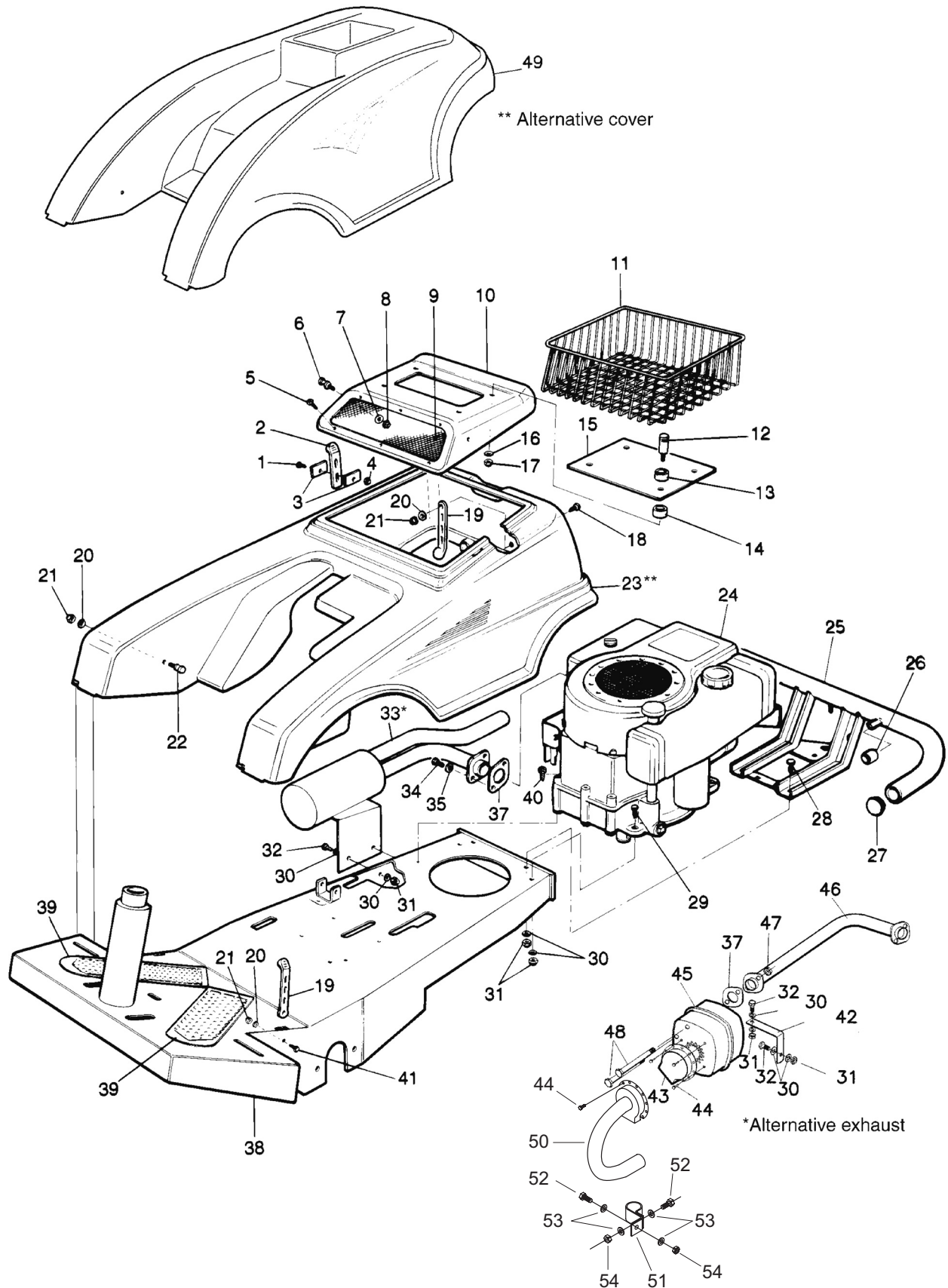
Rider 120 S, 120 SE .....	3
Rider 130 .....	27
Rider 140 to series EE .....	47
Rider 140 from series FF .....	63
Cutter decks .....	79
Accessories .....	99



# RIDER 120

the spare parts



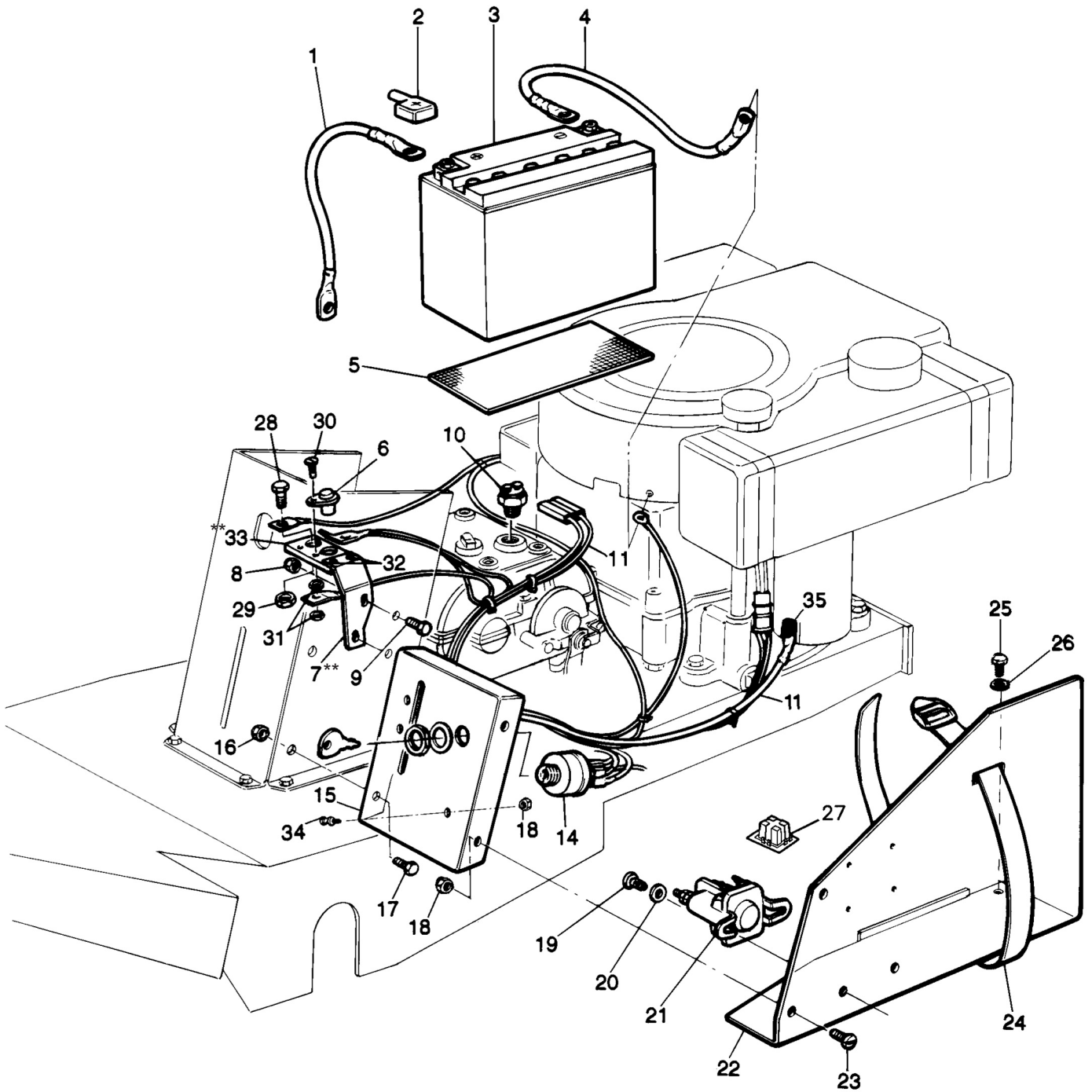


DRAWING NR.	PART NR.	DESCRIPTION	QUANT.	NOTICE
A53	54L003-1702-0084	washer 8,4	4	
A54	54L004-1492-0008	nut M8	2	
A5-A15	54L046-0006-0003	engine cover complete	1	
A5-A10	54L046-0006-0001	engine cover complete	1	
A11-A15,A49	54L046-0006-0002	engine cover complete	1	
A42-A48	54L046-0008-0001	exhaust complete	1	engine Briggs
A42-A48	54L046-0008-0002	exhaust complete	1	engine Tecumseh





DRAWING NR.	PART NR.	DESCRIPTION	QUANT.	NOTICE
A1	54L001-1131-0410	bolt M4 x 10	2	for cover A23
A2	54L007-0001-0001	rubber toggle fastener	2	for cover A23
A3	54L037-0003-0001	clamp plate	4	for cover A23
A4	54L004-1492-0004	nut M4	2	for cover A23
A5	54L011-0022-3913	pin 4 x 12	6	for cover A23
A6	54L008-0001-0001	spigot	2	for cover A23
A7	54L003-1726-0053	washer 5,3	2	for cover A23
A8	54L004-1492-0005	nut M5	2	for cover A23
A9	54L013-0001-0001	gauze	1	for cover A23
A10	54L014-0001-0001	engine cover	1	for cover A23
A11	54L013-0002-0001	tool basket	1	
A12	54L008-0002-0002	pillar	4	from series DD 000391
A12	54L008-0002-0001	pillar	4	to series DD 000390
A13	54L009-0002-0001	spacer	4	
A14	54L009-0002-0006	spacer	4	from series DD 000391
A14	54L009-0002-0002	spacer	4	to series DD 000390
A15	54L037-0001-0001	plate	1	
A15	54L037-0001-0002	plate	1	for cover A49 - engine Tecumseh
A16	54L003-1726-0053	washer 5,3	4	
A17	54L004-1492-0005	nut M5	4	
A18	54L001-0073-0516	bolt M5 x 16	2	
A19	54L007-0001-0002	rubber toggle fastener	4	
A20	54L003-1726-0053	washer 5,3	5	
A21	54L004-1492-0005	nut M5	6	
A22	54L008-0001-0001	spigot	2	
A23	54L014-0002-0001	cover	1	RAL 3020
A23	54L014-0002-0002	cover	1	RAL 6001
A23	54L014-0002-0003	cover	1	RAL 3000
A23	54L014-0002-0004	cover	1	RAL 3002
A24	54L016-0001-0001	engine Briggs 11,5 HP	1	
A24	54L016-0001-0002	engine Briggs 12,5 HP	1	
A24	54L016-0001-0003	engine Tecumseh 12,5 HP	1	
A25	54L017-0001-0001	bumper	1	engine Briggs
A25	54L017-0001-0003	bumper	1	engine Tecumseh
A26	54L007-0002-0001	rubber bush	2	
A27	54L015-0014-0001	end plug	2	
A28	54L001-1103-0820	bolt M8 x 20	4	
A29	54L001-1101-0835	bolt M8 x 35	3	
A30	54L003-1702-0084	washer 8,4	11	
A31	54L004-1492-0008	nut M8	9	
A32	54L001-1103-0816	bolt M8x16	2	
A33	54L018-0001-0001	exhaust	1	engine Briggs - to series CC
A33	54L018-0001-0002	exhaust	1	engine Tecumseh - to series CC
A34	54L001-0931-0001	bolt 5/16 x 3/4"	2	
A35	54L003-1740-0082	washer 8,2	2	
A37	54L018-0002-0001	gasket	2	
A38	54L017-0002-0001	chassis	1	Rider 120 S
A38	54L017-0002-0003	chassis	1	Rider 120 SE
A39	54L014-0003-0001	floor mat	2	
A40	54L001-1101-0840	bolt M8 x 40	1	
A41	54L001-1131-0520	bolt M5 x 20	2	
A42	54L008-0014-0002	brace	1	engine Briggs - from series DD
A42	54L008-0014-0003	brace	1	engine Tecumseh - from series DD
A43	54L018-0003-0001	deflector	1	from series DD
A44	54L002-7981-4295	screw 4,2 x 9,5	3	from series DD
A45	54L018-0001-0003	exhaust	1	from series DD
A46	54L018-0004-0001	exhaust pipe	1	engine Briggs - from series DD
A46	54L018-0004-0002	exhaust pipe	1	engine Tecumseh - from series DD
A47	54L004-0140-0516	nut 5/16"	2	from series DD
A48	54L001-0001-0009	bolt special	2	from series DD
A49	54L014-0002-0006	cover	1	RAL 3002 - engine Tecumseh
A49	54L014-0002-0007	cover	1	RAL 3020 - engine Tecumseh
A49	54L014-0002-0008	cover	1	RAL 3020 - engine Briggs
A49	54L014-0002-0009	cover	1	RAL 3002 - engine Briggs
A50	54L018-0004-0005	exhaust pipe	1	
A51	54L021-0010-0001	exhaust holder	1	
A52	54L001-1103-0820	bolt M8 x 20	2	

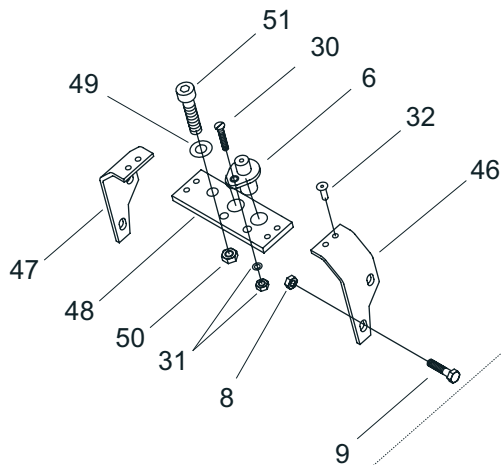




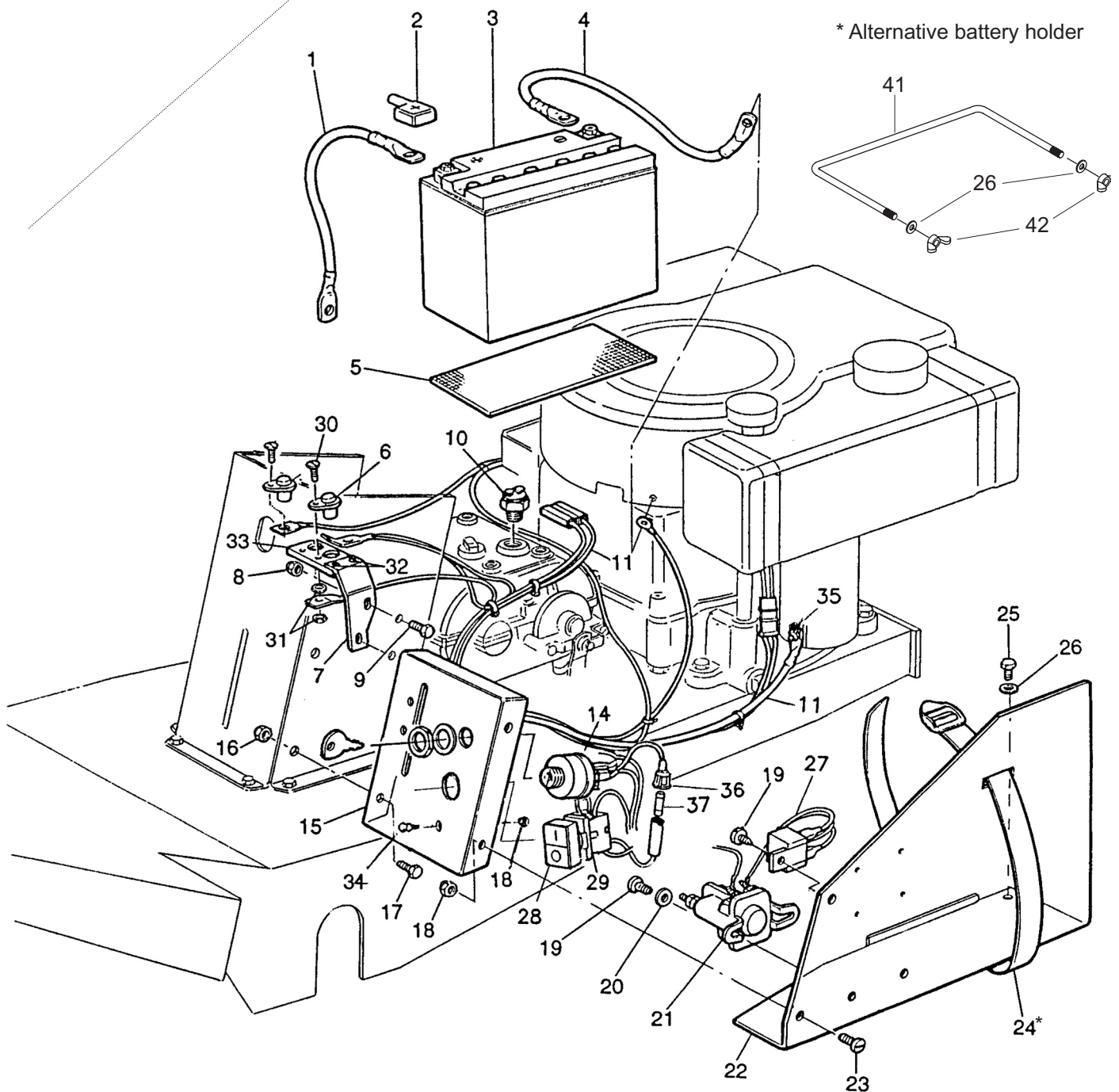
DRAWING NR.	PART NR.	DESCRIPTION	QUANT.	NOTICE
B1	54L019-0002-0001	battery cable (+)	1	
B2	54L015-0005-0001	guard cap	1	
B3	54L019-0001-0001	battery	1	
B4	54L019-0002-0002	battery cable (-)	1	
B5	54L007-0005-0001	battery pad	1	
B6	54L019-0003-0001	switch	1	
B7	54L020-0001-0001	bracket	1	
B8	54L004-1492-0006	nut M6	2	
B9	54L001-1103-0614	bolt M6 x 14	2	
B10	54L019-0004-0001	neutral switch	1	
B11	54L019-0005-0001	cable harness	1	
B14	54L019-0006-0001	starting switch	1	
B15	54L017-0004-0001	panel	1	
B16	54L004-1492-0006	nut M6	2	
B17	54L001-1103-0614	bolt M6 x 14	2	
B18	54L004-1492-0005	nut M5	3	
B19	54L002-7981-4895	screw 4,8 x 9,5	2	
B20	54L003-1726-0053	washer 5,3	2	
B21	54L019-0007-0001	starting relay	1	
B22	54L021-0001-0001	battery shelf	1	
B23	54L001-1131-0512	bolt M5 x 12	2	
B24	54L007-0004-0001	stretch strap	1	to series EE 00026
B25	54L001-1103-0610	bolt M6 x 10	1	
B26	54L003-1702-0064	washer 6,4	1	
B27	54L019-0012-0002	relay	1	to series AA
B28	54L001-1103-1020	bolt M10 x 20	1	
B29	54L004-1492-0010	nut M10	1	
B30	54L001-1151-0416	bolt M4 x 16	1	
B31	54L004-1401-0004	nut M4	2	
B32	54L011-0022-3913	pin 4 x 12	2	
B33	54L037-0006-0001	isolation plate	1	
B34	54L008-0001-0001	spigot	1	
B35	54L004-0140-0014	nut 1/4"	1	



\*\* Alternative switch bracket

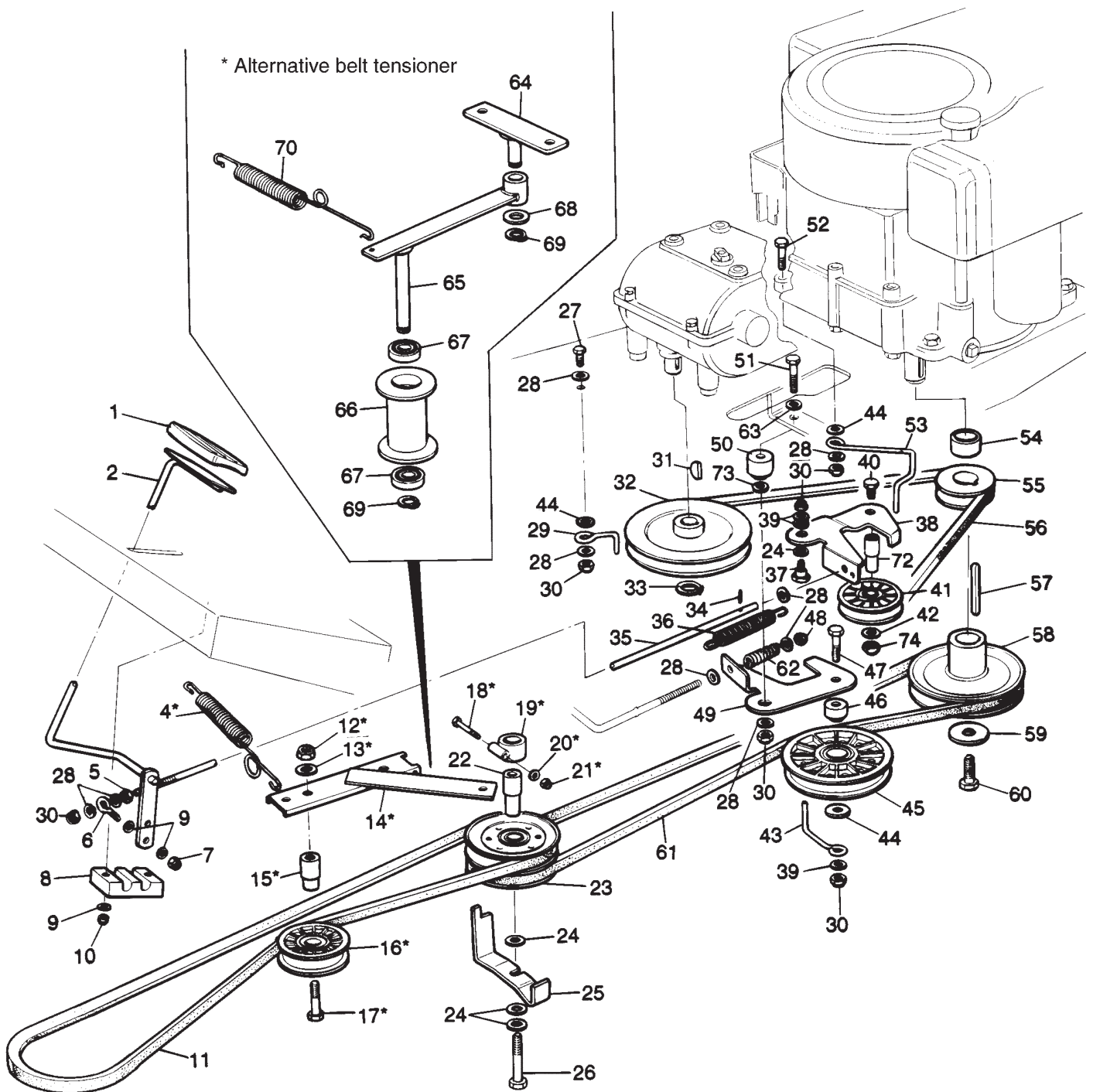


\* Alternative battery holder





DRAWING NR.	PART NR.	DESCRIPTION	QUANT.	NOTICE
B1	54L019-0002-0001	battery cable (+)	1	
B2	54L015-0005-0001	guard cap	1	
B3	54L019-0001-0001	battery	1	
B4	54L019-0002-0002	battery cable (-)	1	
B5	54L007-0005-0001	battery pad	1	
B6	54L019-0003-0001	switch	2	
B7	54L020-0001-0001	bracket	1	to series EE
B8	54L004-1492-0006	nut M6	4	
B9	54L001-1103-0614	bolt M6 x 14	4	
B10	54L019-0004-0001	neutral switch	1	
B11	54L019-0005-0004	cable harness	1	incl. B36. B37
B14	54L019-0006-0001	starting switch	1	
B15	54L017-0004-0002	panel	1	
B16	54L004-1492-0006	nut M6	2	
B17	54L001-1103-0614	bolt M6 x 14	2	
B18	54L004-1492-0005	nut M5	3	
B19	54L002-7981-4895	screw 4.8 x 9.5	3	
B20	54L003-1726-0053	washer 5,3	2	
B21	54L019-0007-0001	starting relay	1	
B22	54L021-0001-0001	battery shelf	1	
B23	54L001-1131-0512	bolt M5 x 12	2	
B24	54L007-0004-0001	stretch strap	1	to series EE 00026
B25	54L001-1103-0614	bolt M6 x 14	1	
B26	54L003-1702-0064	washer 6,4	3	
B27	54L019-0012-0001	relay	1	
B28	54L019-0010-0001	blade button	1	to series EE (rectangle shape)
B28	54L019-0010-0002	blade button	1	from series FF (oval shape)
B29	54L019-0011-0001	blade switch	1	to series EE
B29	54L019-0011-0002	blade switch	1	from series FF
B30	54L001-1151-0416	bolt M4 x 16	2	
B31	54L004-1401-0004	nut M4	4	
B32	54L011-0022-3913	pin 4 x 12	4	
B33	54L037-0006-0001	isolation plate	1	to series EE
B34	54L008-0001-0001	spigot	1	
B35	54L004-0140-0014	nut 1/4"	1	
B36	54L019-0008-0001	fuse holder	1	
B37	54L019-0009-0001	fuse 8A	1	
B41	54L022-0005-0001	battery holder	1	from series EE 00027
B42	54L004-1665-0006	nut M6	2	from series EE 00027
B46	54L020-0001-0010	bracket left	1	from series FF
B47	54L020-0001-0011	bracket right	1	from series FF
B48	54L037-0006-0002	isolation plate	1	from series FF
B49	54L003-1702-0084	washer 8,4	1	from series FF
B50	54L004-1492-0008	nut M8	1	from series FF
B51	54L001-1143-0816	bolt M8 x 16	1	



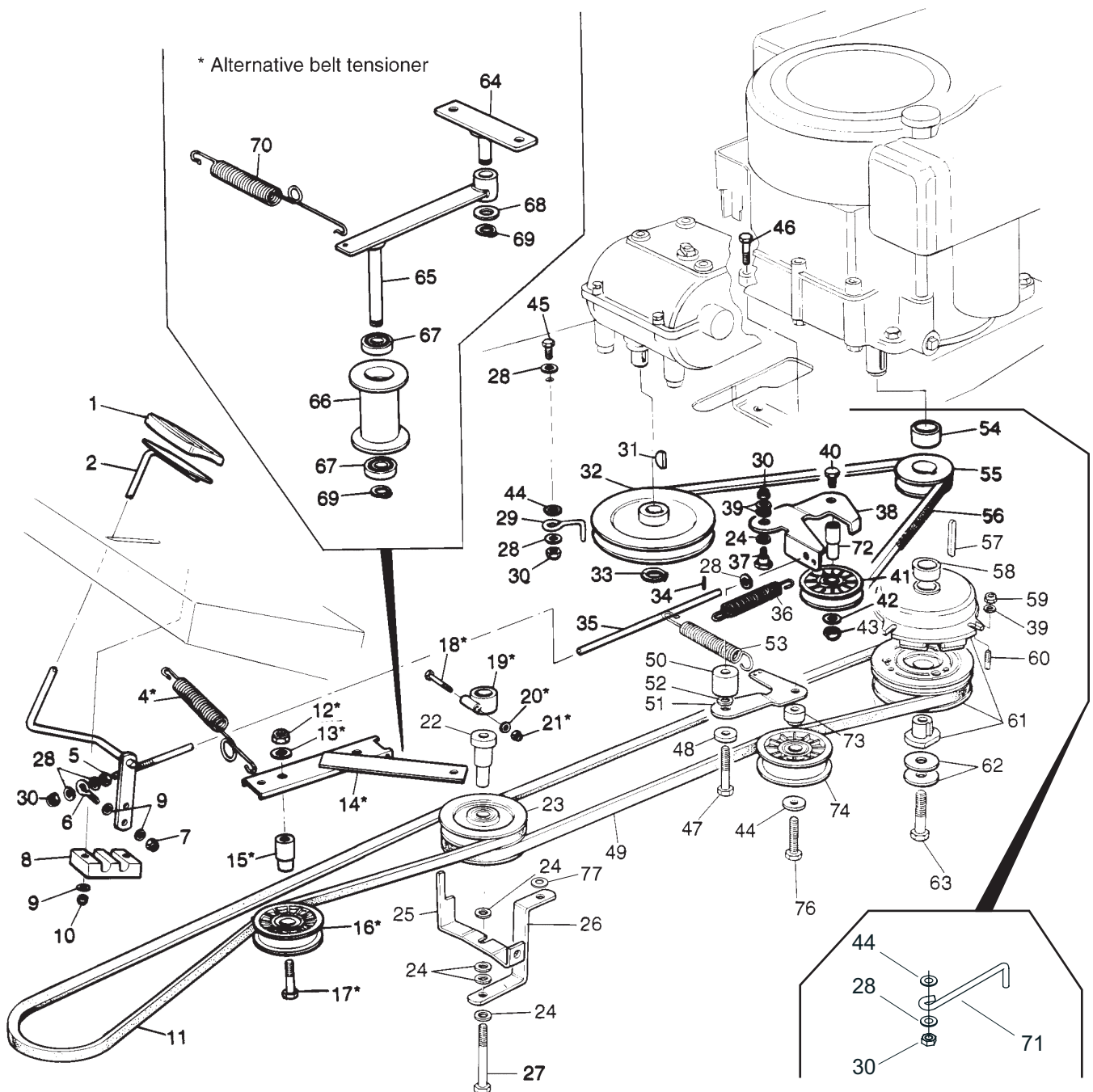
DRAWING NR.	PART NR.	DESCRIPTION	QUANT.	NOTICE
C68	54L003-0001-0001	special washer	2	from series CC
C69	54L006-2930-0012	circlip 12	1	from series CC
C70	54L023-0001-0004	spring	1	from series CC
C72	54L026-0001-0003	counter shaft	1	
C73	54L003-0002-0001	special washer 0,1 mm		what is needed
C73	54L003-0002-0002	special washer 0,2 mm		what is needed
C73	54L003-0002-0003	special washer 0,3 mm		what is needed
C64-C70	54L046-0001-0001	tension pulley complete	1	





DRAWING NR.	PART NR.	DESCRIPTION	QUANT.	NOTICE
C1	54L007-0003-0001	pedal rubber	1	
C2	54L022-0003-0001	clutch pedal	1	
C4	54L023-0001-0001	spring	1	to series BB
C5	54L004-1401-0008	nut M8	2	
C6	54L002-1006-0620	eyescrew M6 x 20	1	
C7	54L004-1492-0006	nut M6	1	
C8	54L015-0001-0001	bearer	1	
C9	54L003-1702-0064	washer 6,4	4	
C10	54L004-1492-0006	nut M6	2	
C11	54L024-0001-0001	V-belt	1	
C12	54L004-1492-0010	nut M10	2	to series BB
C13	54L003-1702-0105	washer 10,5	1	to series BB
C14	54L025-0000-0001	tensioner	1	to series BB
C15	54L026-0001-0001	counter shaft	1	to series BB
C16	54L027-0002-0001	tension pulley	1	to series BB
C17	54L001-1101-1050	bolt M10 x 50	1	to series BB
C18	54L001-0001-0001	bolt special	1	to series BB
C19	54L010-0001-0001	bush	1	to series BB
C20	54L003-1702-0064	washer 6,4	1	to series BB
C21	54L004-1492-0006	nut M6	1	to series BB
C22	54L026-0001-0002	counter shaft	1	
C23	54L027-0001-0001	belt pulley	1	
C24	54L003-1702-0105	washer 10,5	4	
C25	54L028-0000-0001	belt guide	1	
C26	54L001-1101-1090	bolt M10 x 90	1	
C27	54L001-1103-0825	bolt M8 x 25	1	
C28	54L003-1702-0084	washer 8,4	9	
C29	54L028-0000-0002	belt giude	1	
C30	54L004-1492-0008	nut M8	5	
C31	54L029-0000-0001	key	1	
C32	54L027-0001-0002	belt pulley	1	
C33	54L006-2930-0016	circlip 16	1	
C34	54L011-2156-0316	Locating pin 3 x 16	1	
C35	54L030-0002-0001	clutch rod	1	
C36	54L023-0001-0002	spring	1	
C37	54L002-0001-0001	screw special	1	
C38	54L025-0000-0002	tensioner	1	
C39	54L003-1702-0084	washer 8,4	4	
C40	54L001-1101-1035	bolt M10 x 35	1	
C41	54L027-0002-0002	tension pulley	1	
C42	54L003-1702-0105	washer 10,5	2	
C43	54L028-0000-0003	belt guide	1	
C44	54L003-1727-0009	washer 9	4	
C45	54L027-0002-0003	tension pulley	1	
C46	54L009-0001-0006	spacer	1	
C47	54L001-1101-0845	bolt M8 x 45	1	
C48	54L004-1492-0008	nut M8	1	
C49	54L025-0000-0003	tensioner	1	
C50	54L009-0001-0007	spacer	1	
C51	54L001-1101-0850	bolt M8 x 50	1	
C52	54L001-1101-0840	bolt M8 x 40	1	
C53	54L028-0000-0004	belt guide	1	
C54	54L009-0001-0009	spacer	1	
C55	54L027-0001-0003	belt pulley	1	
C56	54L024-0001-0002	V-belt	1	
C57	54L029-0000-0002	key	1	
C58	54L027-0001-0004	belt pulley	1	
C59	54L003-1727-0014	washer 14	1	
C60	54L001-0931-0002	bolt 7/16 x 1.5"	1	
C61	54L024-0001-0003	V-belt	1	
C62	54L023-0001-0003	spring	1	
C63	54L010-0001-0002	bush	1	
C64	54L020-0001-0002	bracket	1	from series CC
C65	54L021-0002-0001	arm	1	from series CC
C66	54L027-0002-0008	tension pulley	1	from series CC
C67	54L035-0000-0005	bearing	2	from series DD 00167
C67	54L035-0000-0001	bearing	2	from series CC to DD 00166
C67	54L046-0001-0002	tension pulley complete	1	

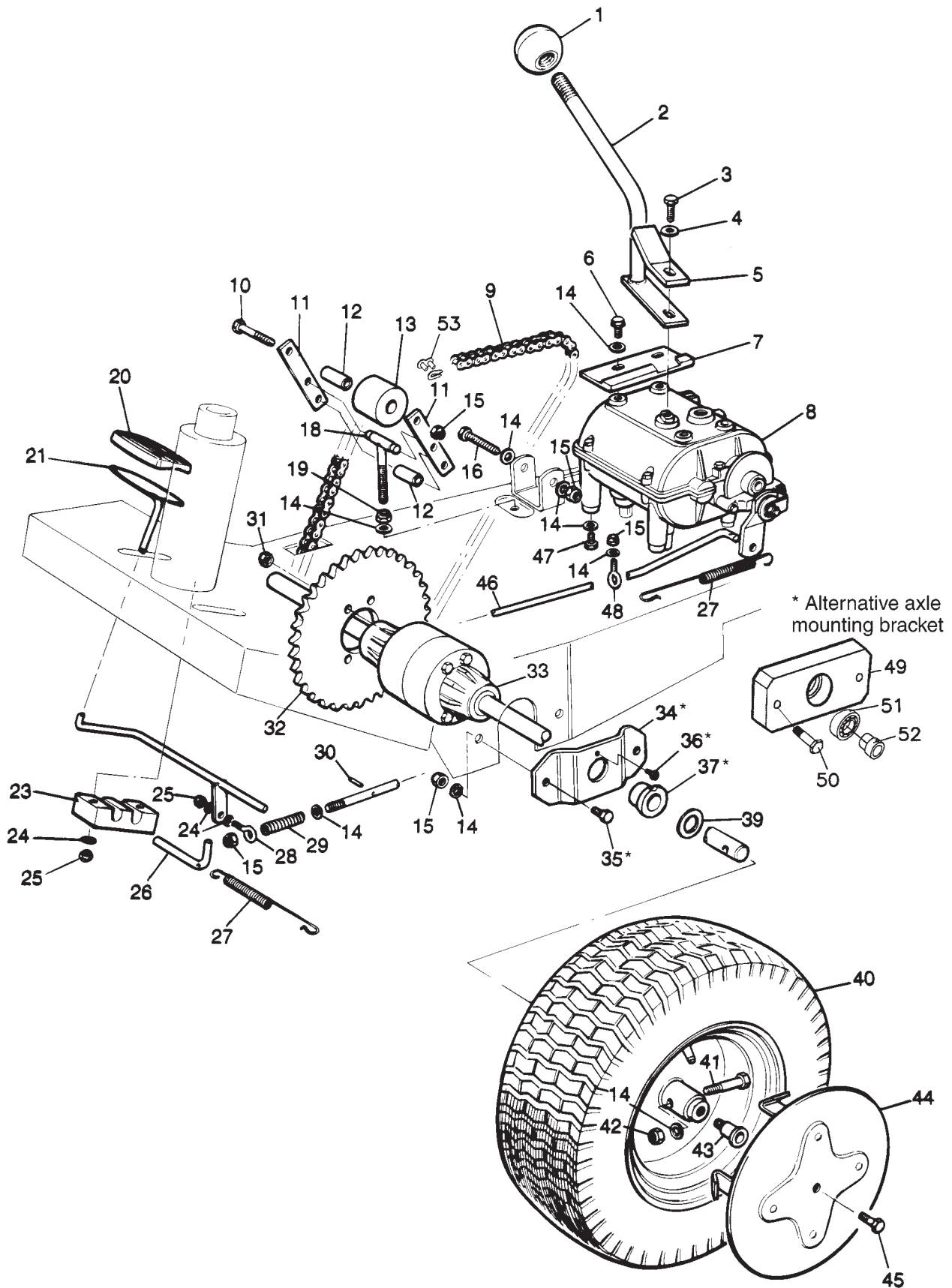




DRAWING NR.	PART NR.	DESCRIPTION	QUANT.	NOTICE
C63	54L001-0931-0004	bolt 7/16 x 2 1/2"	1	
C64	54L020-0001-0002	bracket	1	from series CC to EE
C65	54L021-0002-0001	arm	1	from series CC to EE
C66	54L027-0002-0008	tension pulley	1	from series CC to EE
C67	54L035-0000-0005	bearing	2	from series DD 00167 to EE
C67	54L035-0000-0001	bearing	2	from series CC to DD 00166
C68	54L003-0001-0001	special washer	2	from series CC to EE
C69	54L006-2930-0012	circlip 12	1	from series CC to EE
C70	54L023-0001-0004	spring	1	from series CC to EE
C71	54L028-0000-0006	belt guide	1	
C72	54L026-0001-0003	counter shaft	1	
C73	54L009-0001-0006	spacer	1	
C74	54L027-0002-0001	tension pulley	1	
C75	54L003-1727-0009	washer 9	1	
C76	54L001-1101-0850	bolt M8 x 50	1	
C77	54L010-0001-0009	bush	1	for Rider 120/105
C64-C70	54L046-0001-0001	tension pulley complete	1	
C66-C67	54L046-0001-0002	tension pulley complete	1	

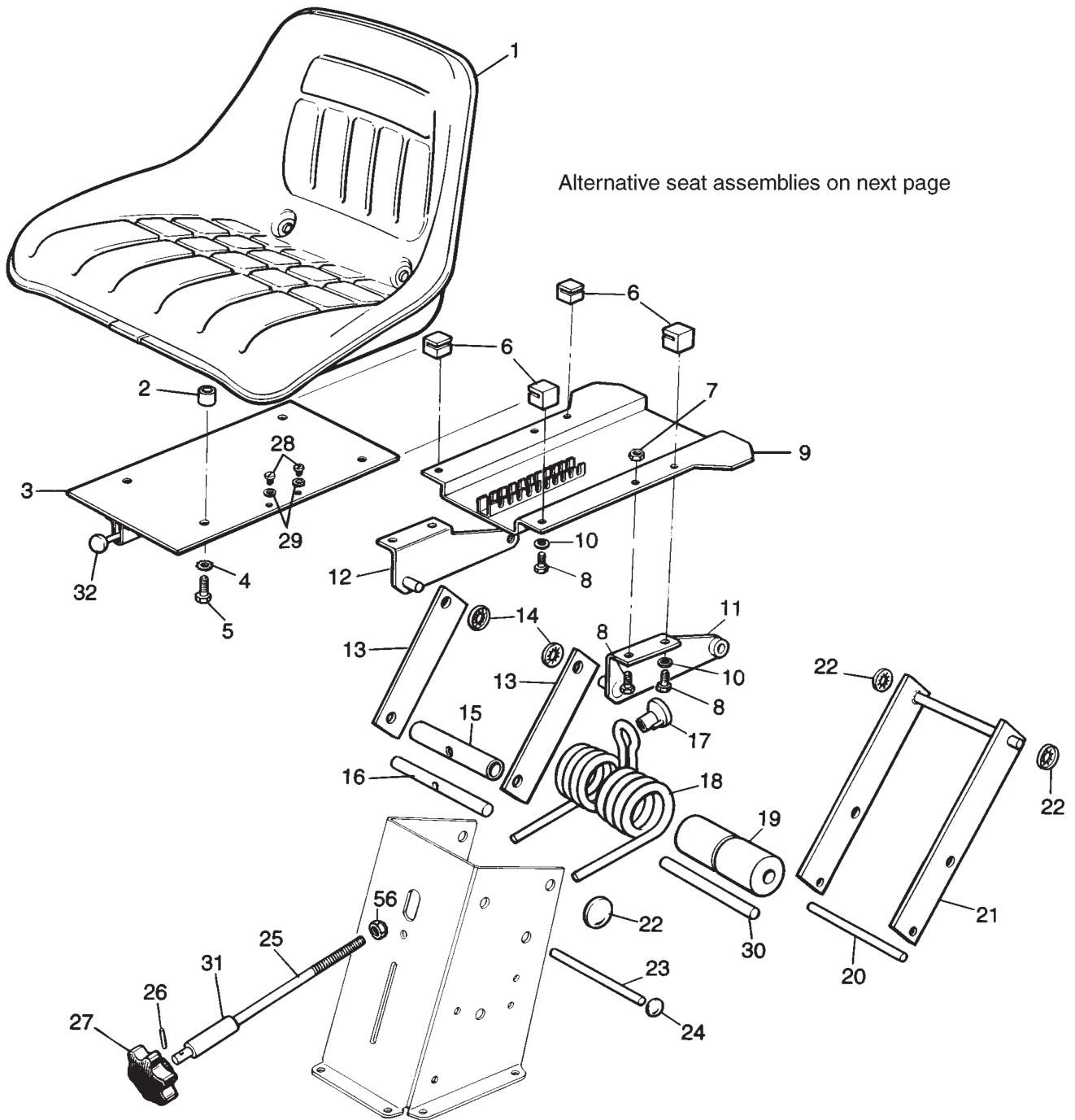


DRAWING NR.	PART NR.	DESCRIPTION	QUANT.	NOTICE
C1	54L007-0003-0001	pedal rubber	1	
C2	54L022-0003-0001	clutch pedal	1	
C4	54L023-0001-0001	spring	1	to series BB
C5	54L004-1401-0008	nut M8	2	
C6	54L002-1006-0620	eyescrew M6 x 20	1	
C7	54L004-1492-0006	nut M6	1	
C8	54L015-0001-0001	bearer	1	
C9	54L003-1702-0064	washer 6,4	4	
C10	54L004-1492-0006	nut M6	2	
C11	54L024-0001-0001	V-belt	1	for Rider 120/85 to series EE
C11	54L024-0001-0011	V-belt	1	for Rider 120/105
C11	54L024-0001-0012	V-belt	1	for Rider 120/85 from series FF
C12	54L004-1492-0010	nut M10	2	to series BB
C13	54L003-1702-0105	washer 10,5	1	to series BB
C14	54L025-0000-0001	tensioner	1	to series BB
C15	54L026-0001-0001	counter shaft	1	to series BB
C16	54L027-0002-0001	tension pulley	1	to series BB
C17	54L001-1101-1050	bolt M10 x 50	1	to series BB
C18	54L001-0001-0001	bolt special	1	to series BB
C19	54L010-0001-0001	bush	1	to series BB
C20	54L003-1702-0064	washer 6,4	1	to series BB
C21	54L004-1492-0006	nut M6	1	to series BB
C22	54L026-0001-0002	counter shaft	1	for Rider 120/85
C22	54L026-0001-0009	counter shaft	1	for Rider 120/105
C23	54L027-0002-0005	belt pulley	1	for Rider 120/85
C23	54L027-0001-0013	belt pulley	1	for Rider 120/105
C24	54L003-1702-0105	washer 10,5	5	
C25	54L028-0000-0001	belt guide	1	
C26	54L008-0014-0001	brace	1	
C27	54L001-1101-1010	bolt M10 x 100	1	for Rider 120/85
C27	54L001-1101-1130	bolt M10 x 130	1	for Rider 120/105
C28	54L003-1702-0084	washer 8,4	6	
C29	54L028-0000-0002	belt giude	1	
C30	54L004-1492-0008	nut M8	4	
C31	54L029-0000-0001	key	1	
C32	54L027-0001-0002	belt pulley	1	
C33	54L006-2930-0016	circlip 16	1	
C34	54L011-2156-0316	Locating pin 3 x 16	1	
C35	54L030-0002-0001	clutch rod	1	
C36	54L023-0001-0002	spring	1	
C37	54L002-0001-0001	screw special	1	
C38	54L025-0000-0002	tensioner	1	
C39	54L003-1702-0084	washer 8,4	3	
C40	54L001-1101-1035	bolt M10 x 35	1	
C41	54L027-0002-0002	tension pulley	1	
C42	54L003-1702-0105	washer 10,5	1	
C43	54L004-1492-0010	nut M10	1	
C44	54L003-1727-0009	washer 9	3	
C45	54L001-1103-0825	bolt M8 x 25	1	
C46	54L001-1101-0840	bolt M8 x 40	1	
C47	54L001-1101-0850	bolt M8 x 50	1	
C48	54L010-0001-0002	bush	1	
C49	54L024-0001-0004	V-belt	1	
C50	54L009-0001-0007	spacer	1	
C51	54L025-0000-0005	tensioner 1		
C52	54L003-0002-0001	special washer 0,1 mm		what is needed
C52	54L003-0002-0002	special washer 0,2 mm		what is needed
C52	54L003-0002-0003	special washer 0,3 mm		what is needed
C53	54L023-0001-0012	spring	1	
C54	54L009-0001-0009	spacer	1	
C55	54L027-0001-0003	belt pulley	1	
C56	54L024-0001-0002	V-belt	1	
C57	54L029-0000-0003	key	1	
C58	54L009-0001-0008	spacer	1	
C59	54L004-1492-0008	nut M8	1	
C60	54L001-1187-0830	bolt M8 x 30	1	
C61	54L016-0006-0001	electric clutch	1	
C62	54L003-1727-0014	washer 14	2	



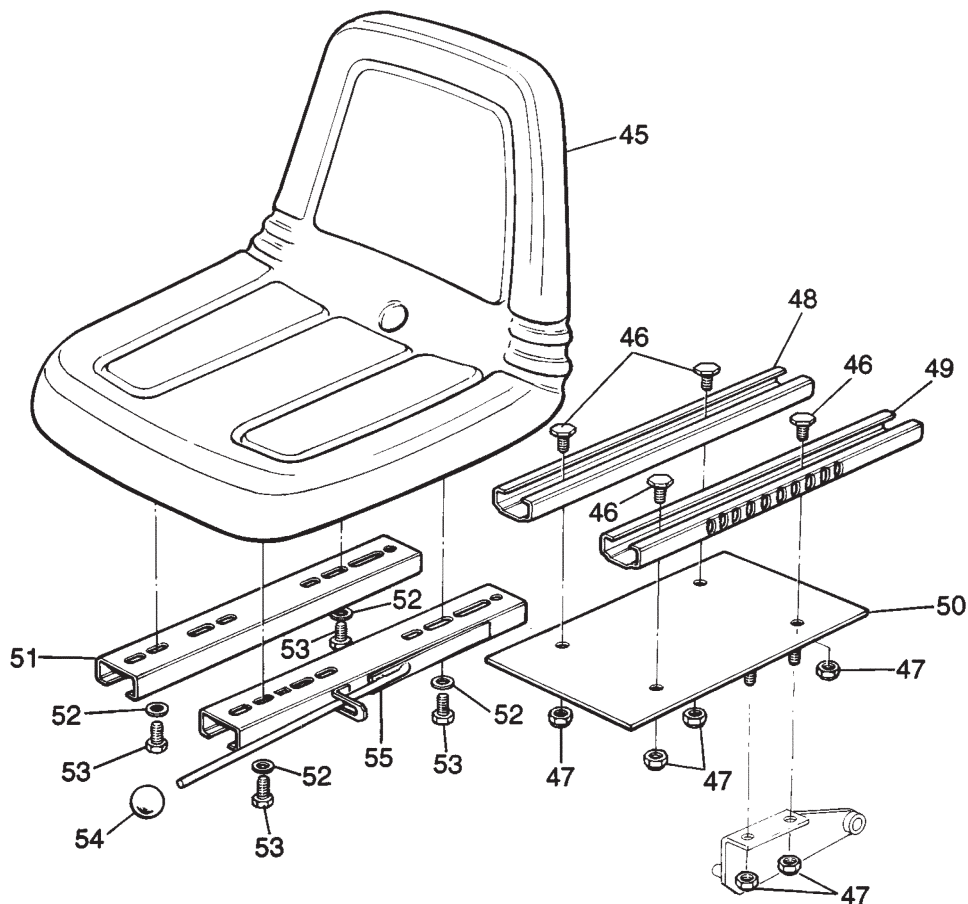
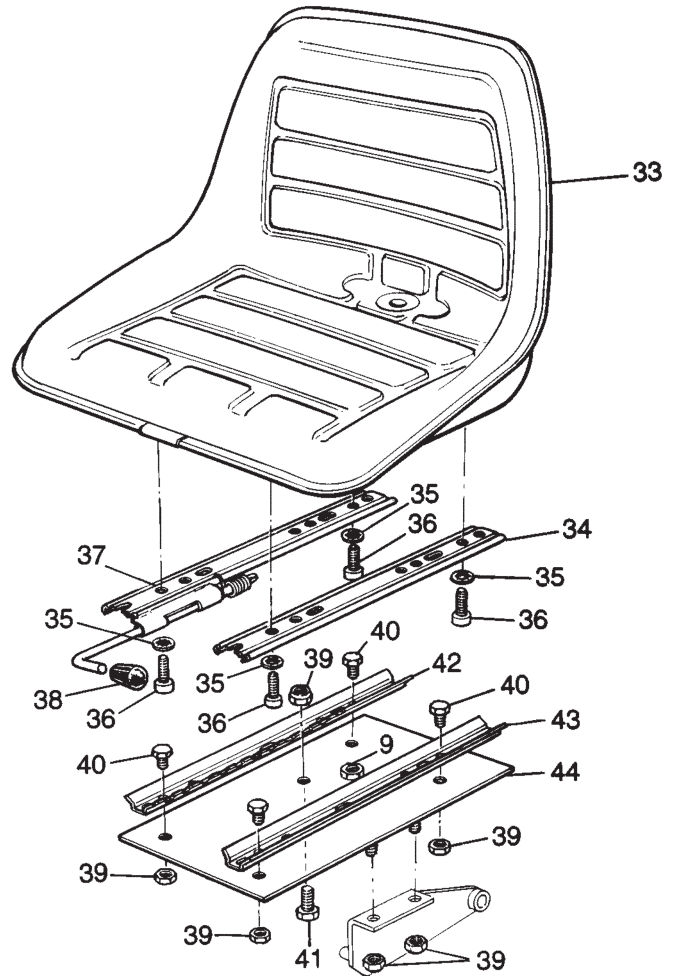


DRAWING NR.	PART NR.	DESCRIPTION	QUANT.	NOTICE
D1	54L015-0002-0001	knob	1	
D2	54L034-0003-0001	gear lever	1	
D3	54L001-0931-0003	bolt 1/4 x 3/4"	1	
D4	54L003-1727-0066	washer 6,6	1	
D5	54L037-0004-0001	lock-plate	1	
D6	54L001-1103-0816	bolt M8 x 16	2	
D7	54L037-0009-0001	location plate	1	
D8	54L016-0002-0001	gearbox	1	
D9	54L016-0003-0001	chain	1	
D10	54L001-1101-0850	bolt M8 x 50	3	
D11	54L037-0005-0001	chain tensioner plate	2	
D12	54L009-0001-0010	spacer	2	
D13	54L015-0007-0001	chain tensioner roller	1	
D14	54L003-1702-0084	washer 8,4	15	
D15	54L004-1492-0008	nut M8	8	
D16	54L001-1101-0860	bolt M8 x 60	1	
D18	54L030-0001-0001	rod	1	
D19	54L004-1492-0008	nut M8	1	
D20	54L007-0003-0001	pedal rubber	1	
D21	54L022-0004-0001	brake pedal	1	
D23	54L015-0001-0002	bearer	1	
D24	54L003-1702-0064	washer 6,4	4	
D25	54L004-1492-0006	nut M6	3	
D26	54L034-0001-0001	lever	1	
D27	54L023-0001-0005	spring	1	
D28	54L002-1006-0620	eyescrew M6 x 20	1	
D29	54L023-0001-0003	spring	1	
D30	54L011-2156-0316	locating pin 3 x 16	1	
D31	54L004-0934-0001	nut 5/16"	4	
D32	54L016-0004-0001	sprocket	1	
D33	54L016-0005-0001	differential	1	
D34	54L020-0002-0001	axle mounting bracket	2	to series CC
D35	54L001-1103-0825	bolt M8 x 25	4	to series CC
D36	54L001-1131-0058	bolt M5 x 8	2	to series CC
D37	54L010-0003-0001	bush special oilite	2	to series CC
D39	54L003-0000-0010	washer 1 mm		what is needed
D39	54L003-0000-0020	washer 2 mm		what is needed
D39	54L003-0000-0005	washer 0,5 mm		what is needed
D40	54L039-0000-0001	wheel	2	
D41	54L001-0001-0003	bolt special	2	from series CC 00223
D41	54L001-0001-0002	bolt special	2	to series CC 00222
D42	54L004-1492-0008	nut M8	2	
D43	54L001-0001-0004	bolt special	2	option
D44	54L014-0005-0001	wheel cover big	2	option
D45	54L001-1147-0550	bolt M5 x 50	2	option
D46	54L030-0003-0001	brake rod	1	
D47	54L001-0931-0001	bolt 5/16 x 3/4"	4	
D48	54L002-1006-0820	eyescrew M8 x 20	1	
D49	54L020-0002-0002	axle mounting bracket	2	from series DD
D50	54L001-1101-0835	bolt M8 x 35	4	from series DD
D51	54L035-0000-0004	bearing	2	from series DD
D52	54L010-0002-0006	bush	2	from series DD
D53	54L016-0003-0003	chain connection	1	
D49-D52	54L046-0005-0005	bearingplate complete	1	





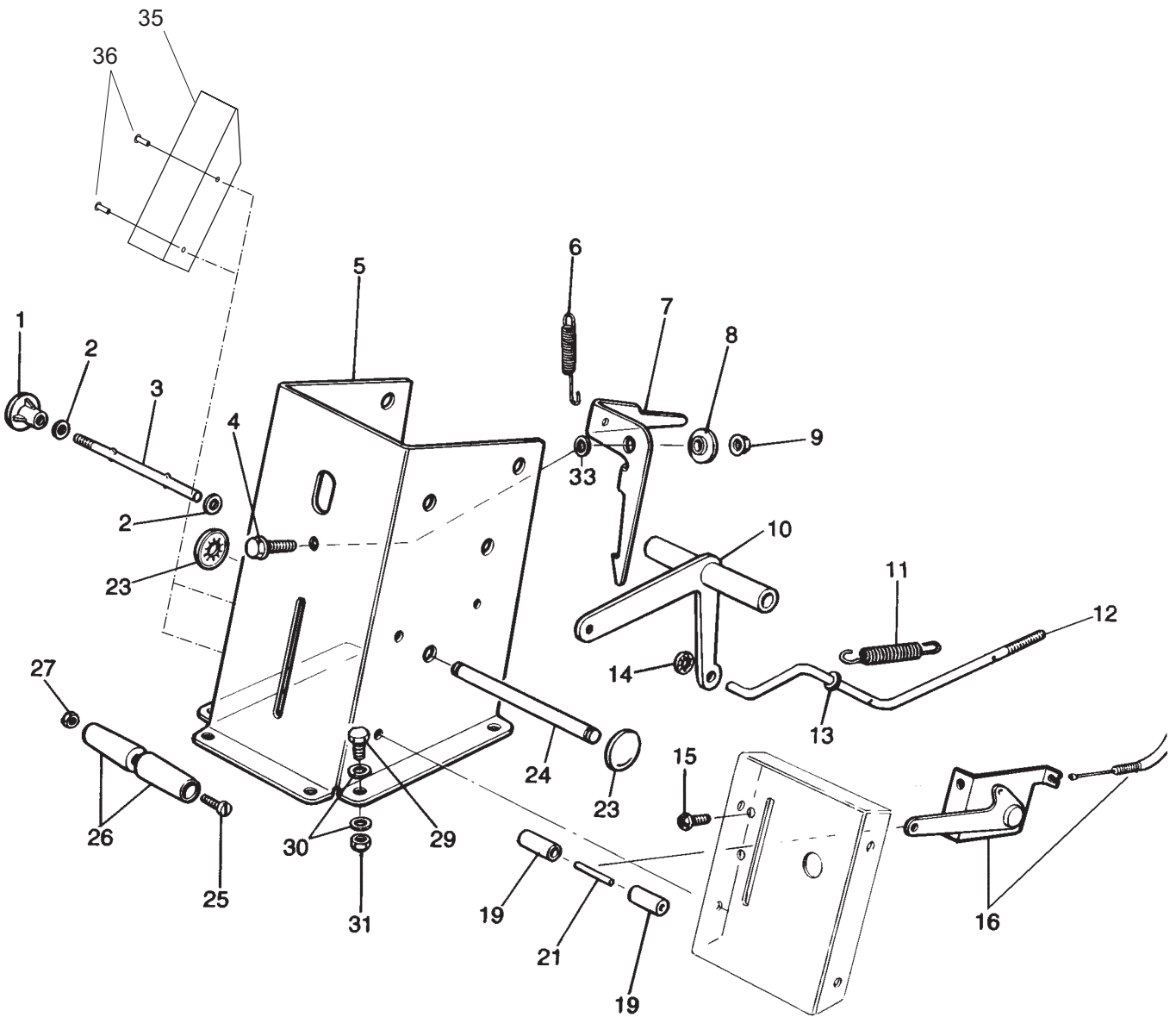
DRAWING NR.	PART NR.	DESCRIPTION	QUANT.	NOTICE
E1	54L040-0001-0001	seat 1	1	
E2	54L009-0002-0003	spacer	4	
E3	54L038-0001-0002	seat adjustment	1	
E4	54L003-1745-0084	washer 8,4	4	
E5	54L001-1103-0820	bolt M8 x 20	4	
E6	54L008-0003-0001	guide	4	
E7	54L004-1401-0008	nut M8	2	
E8	54L001-1103-0812	bolt M8 x 12	6	
E9	54L038-0002-0001	seat support	1	
E10	54L003-1702-0084	washer 8,4	4	
E11	54L020-0003-0001	seat support bracket left	1	
E12	54L020-0003-0002	seat support bracket right	1	
E13	54L037-0007-0001	pivot plate	2	
E14	54L005-0000-0002	push-on fastener	2	
E15	54L031-0000-0001	tube	1	
E16	54L032-0001-0001	shaft	1	
E17	54L008-0004-0001	spring nut	1	
E18	54L023-0002-0001	seat spring	1	
E19	54L015-0008-0001	spring pivot pin	2	
E20	54L030-0004-0001	seat rod	1	
E21	54L021-0003-0001	spring shackle	1	
E22	54L005-0000-0003	push-on fastener	4	
E23	54L032-0001-0002	shaft	1	
E24	54L005-0000-0004	push-on fastener	2	
E25	54L030-0005-0001	tension rod	1	to series EE
E25	54L030-0005-0002	tension rod	1	from series EE
E26	54L011-2150-0325	locating pin 3 x 25	1	
E27	54L015-0002-0003	knob	1	
E28	54L001-1131-0058	bolt M5 x 8	2	
E29	54L003-1740-0051	washer 5,1	2	
E30	54L030-0001-0002	rod	1	
E31	54L031-0000-0002	tube	1	to series EE
E31	54L031-0000-0003	tube	1	from series EE
E32	54L015-0003-0001	ballgrip	1	





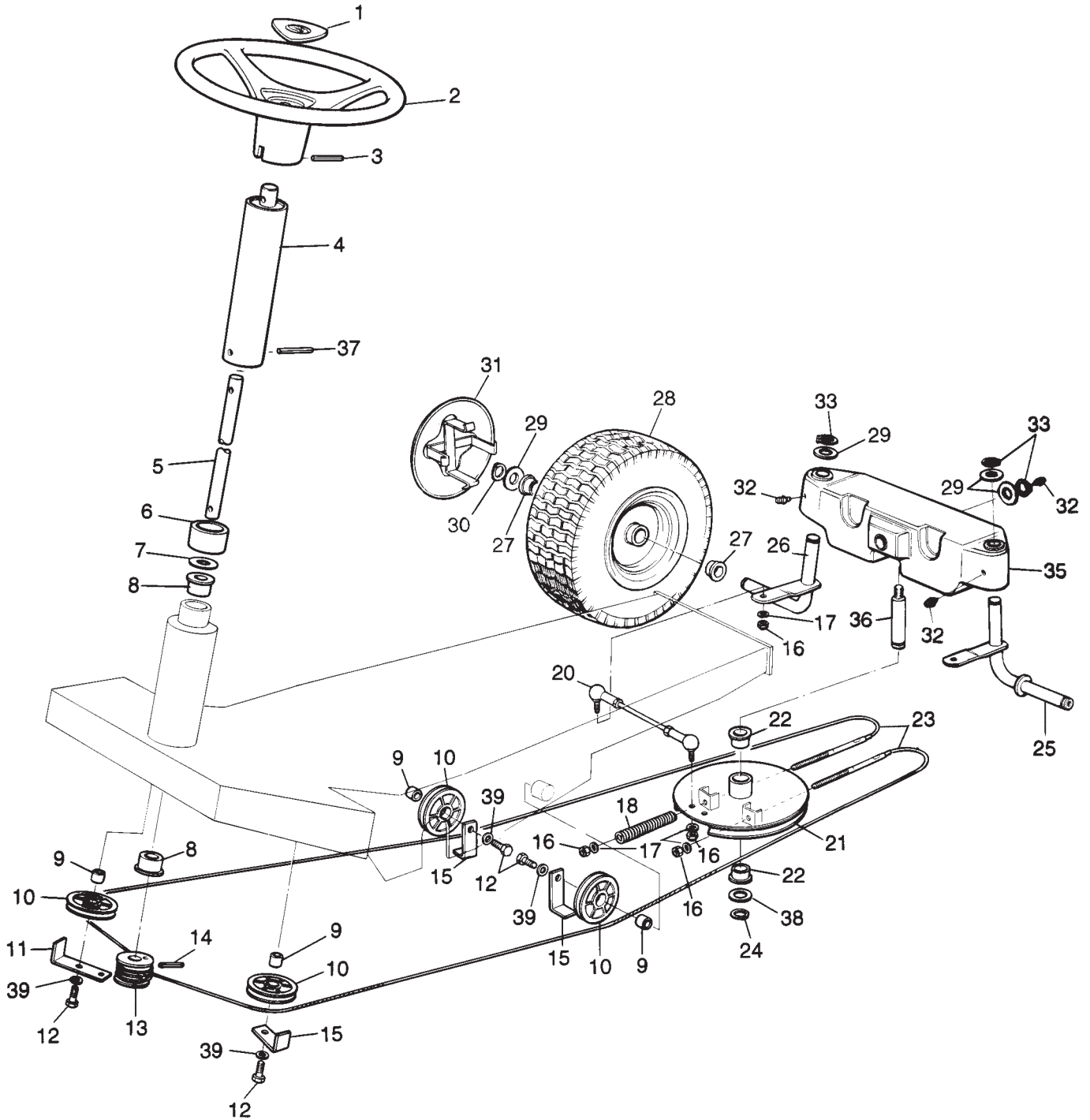


DRAWING NR.	PART NR.	DESCRIPTION	QUANT.	NOTICE
E33	54L040-0001-0002	seat 2	1	
E33	54L040-0001-0005	seat 2	1	with Klippo logo
E34	54L040-0002-0001	slide left top	1	
E35	54L003-1745-0084	washer 8,4	4	
E36	54L001-1143-0825	bolt M8 x 25	4	
E37	54L040-0002-0002	slide right top	1	
E38	54L015-0002-0002	knob	1	
E39	54L004-1492-0008	nut M8	9	
E40	54L001-1103-0816	bolt M8 x 16	4	
E41	54L001-1103-0820	bolt M8 x 20	1	
E42	54L040-0003-0002	slide right below	1	
E43	54L040-0003-0001	slide left below	1	
E44	54L038-0001-0001	seat adjustment	1	
E45	54L040-0001-0003	seat 3	1	
E46	54L001-1103-0816	bolt M8 x 16	4	
E47	54L004-1492-0008	nut M8	8	
E48	54L040-0003-0004	slide right below	1	
E49	54L040-0003-0003	slide left below	1	
E50	54L038-0001-0003	seat adjustment	1	
E51	54L040-0002-0004	slide right top	1	
E52	54L003-1702-0084	washer 8,4	4	
E53	54L001-1103-0816	bolt M8 x 16	4	
E54	54L015-0002-0004	knob	1	
E55	54L040-0002-0003	slide left top	1	
E56	54L004-1492-0008	nut M8	1	



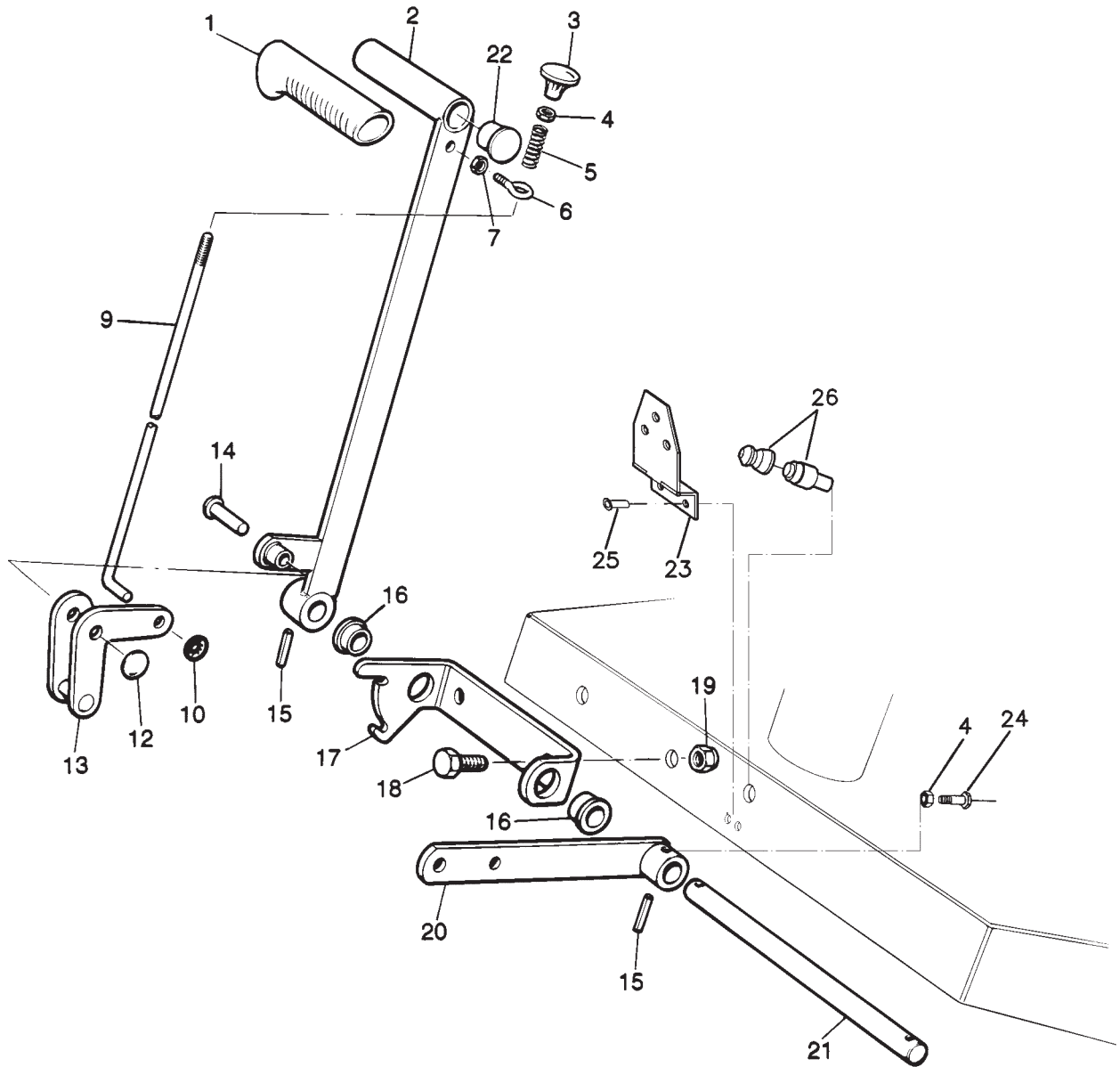


DRAWING NR.	PART NR.	DESCRIPTION	QUANT.	NOTICE
F1	54L015-0002-0005	knob	1	Rider 120
F2	54L003-1702-0064	washer 6,4	2	Rider 120
F3	54L032-0001-0003	shaft	1	Rider 120
F4	54L001-6921-0825	bolt M8 x 25	1	Rider 120
F5	54L020-0004-0001	seat bracket	1	to series EE
F5	54L020-0004-0004	seat bracket	1	from series FF
F6	54L023-0001-0006	spring	1	Rider 120
F7	54L034-0004-0001	locking lever	1	Rider 120
F8	54L009-0001-0011	spacer	1	Rider 120
F9	54L004-6923-0008	nut M8	1	Rider 120
F10	54L034-0002-0001	control lever	1	Rider 120
F11	54L023-0001-0007	spring	1	Rider 120
F12	54L030-0006-0001	link rod	1	Rider 120
F13	54L003-1702-0084	washer 8,4	1	Rider 120
F14	54L005-0000-0005	push-on fastener	1	Rider 120
F15	54L002-7981-4895	screw 4.8 x 9.5	2	
F16	54L008-0005-0001	choke control	1	
F19	54L015-0004-0001	handle	2	
F21	54L011-2156-0640	pin 6 x 40	1	
F23	54L005-0000-0003	push-on fastener	2	Rider 120
F24	54L030-0001-0002	rod	1	Rider 120
F25	54L001-1131-0550	bolt M5 x 50	1	Rider 120
F26	54L015-0004-0002	handle	2	Rider 120
F27	54L004-0546-0005	nut M5	1	Rider 120
F29	54L001-1103-0825	bolt M8 x 25	5	
F30	54L003-1702-0084	washer 8,4	12	
F31	54L004-1492-0008	nut M8	6	
F33	54L003-1727-0009	washer 9	1	Rider 120
F35	54L013-0003-0003	cover	1	
F36	54L011-0022-3913	pin 4 x 12	2	





DRAWING NR.	PART NR.	DESCRIPTION	QUANT.	NOTICE
G1	54L042-0002-0001	steering column cover	1	to series EE
G1	54L042-0002-0004	steering column cover	1	for Klippo to series EE
G2	54L042-0003-0001	steering wheel	1	
G3	54L011-2156-0626	roll pin 6 x 26	1	
G4	54L042-0004-0001	steering column	1	identical with 54L042-0004-0002
G5	54L032-0004-0001	steering column shaft	1	
G6	54L010-0002-0001	bush	1	
G7	54L003-0003-0008	thrust washer 0,8 mm		what is needed
G7	54L003-0003-0015	thrust washer 1,5 mm		what is needed
G8	54L010-0002-0002	bush	2	
G9	54L010-0001-0003	bush	4	
G10	54L015-0009-0001	cable idler wheel	4	
G11	54L020-0005-0001	idler wheel bracket	1	to series EE
G12	54L001-1101-1030	bolt M10 x 30	4	
G13	54L042-0001-0001	steering pulley	1	
G14	54L011-2156-0636	roll pin 6 x 36	1	
G15	54L020-0005-0002	idler wheel bracket	4	
G16	54L004-1492-0008	nut M8	6	
G17	54L003-1702-0084	washer 8,4	6	
G18	54L023-0001-0008	spring	1	
G20	54L030-0007-0001	tie rod	2	
G21	54L042-0001-0002	steering pulley	1	
G22	54L010-0002-0003	bush	2	
G23	54L041-0002-0001	steering cable	1	
G24	54L006-2930-0020	circlip	1	
G25	54L043-0001-0001	axle left	1	
G26	54L043-0001-0002	axle right	1	
G27	54L010-0004-0001	bush oilite	4	Trelleborg
G27	54L010-0004-0002	bush oilite	4	Vlukon - Duro
G27	54L010-0004-0003	bush oilite	4	ADR
G28	54L039-0000-0002	wheel	2	
G29	54L005-0001-0011	special washer 0,5 mm		what is needed
G29	54L003-0001-0008	special washer 1 mm		what is needed
G29	54L003-0001-0009	special washer 2 mm		what is needed
G29	54L003-1702-0021	special washer 3 mm		what is needed
G30	54L006-2930-0020	circlip 20	2	
G31	54L014-0005-0002	wheel cover small	2	option
G32	54L012-7421-0006	grease nipple KM6	3	
G33	54L006-2930-0020	circlip 20	3	
G35	54L036-0001-0001	rear axle body	1	
G36	54L043-0002-0001	axle pin	1	
G37	54L011-2156-0645	roll pin 6 x 45	1	
G38	54L003-0000-0015	washer 1,5 mm	1	
G39	54L003-1702-0105	washer 10,5	4	





DRAWING NR.	PART NR.	DESCRIPTION	QUANT.	NOTICE
H1	54L015-0004-0003	handle	1	
H2	54L034-0005-0001	lift lever	1	
H3	54L015-0002-0005	knob	1	
H4	54L004-1401-0006	nut M6	2	
H5	54L023-0001-0009	spring	1	
H6	54L002-1006-0515	eyescrew M5 x 15	1	
H7	54L004-1403-0005	nut M5	1	
H9	54L030-0008-0001	push rod	1	
H10	54L005-0000-0001	push-on fastener	1	
H12	54L005-0000-0005	push-on fastener	1	
H13	54L020-0001-0003	bracket	1	
H14	54L011-0660-0830	pin 8 x 30	1	
H15	54L011-2156-0830	roll pin 8 x 30	2	
H16	54L010-0002-0004	bush	2	
H17	54L020-0001-0004	bracket	1	
H18	54L001-1103-1020	bolt M10 x 20	2	
H19	54L004-1492-0010	nut M10	2	
H20	54L021-0002-0002	lift arm	1	to series EE
H20	54L021-0002-0009	lift arm	1	from series FF
H21	54L032-0003-0001	lift shaft	1	
H22	54L015-0002-0006	knob	1	
H23	54L008-0017-0001	hinge	1	for Rider 120 SE to series EE
H23	54L008-0017-0002	hinge	1	for Rider 120 SE from series FF
H24	54L001-1103-0620	bolt M6 x 20	1	for Rider 120 SE
H25	54L011-0022-3913	pin 4 x 12	2	for Rider 120 SE
H26	54L019-0013-0001	switch complete	1	for Rider 120 SE
H1-H22	54L046-0002-0001	handle complete	1	to series EE
H1-H22	54L046-0002-0003	handle complete	1	from series FF





## NOTICE

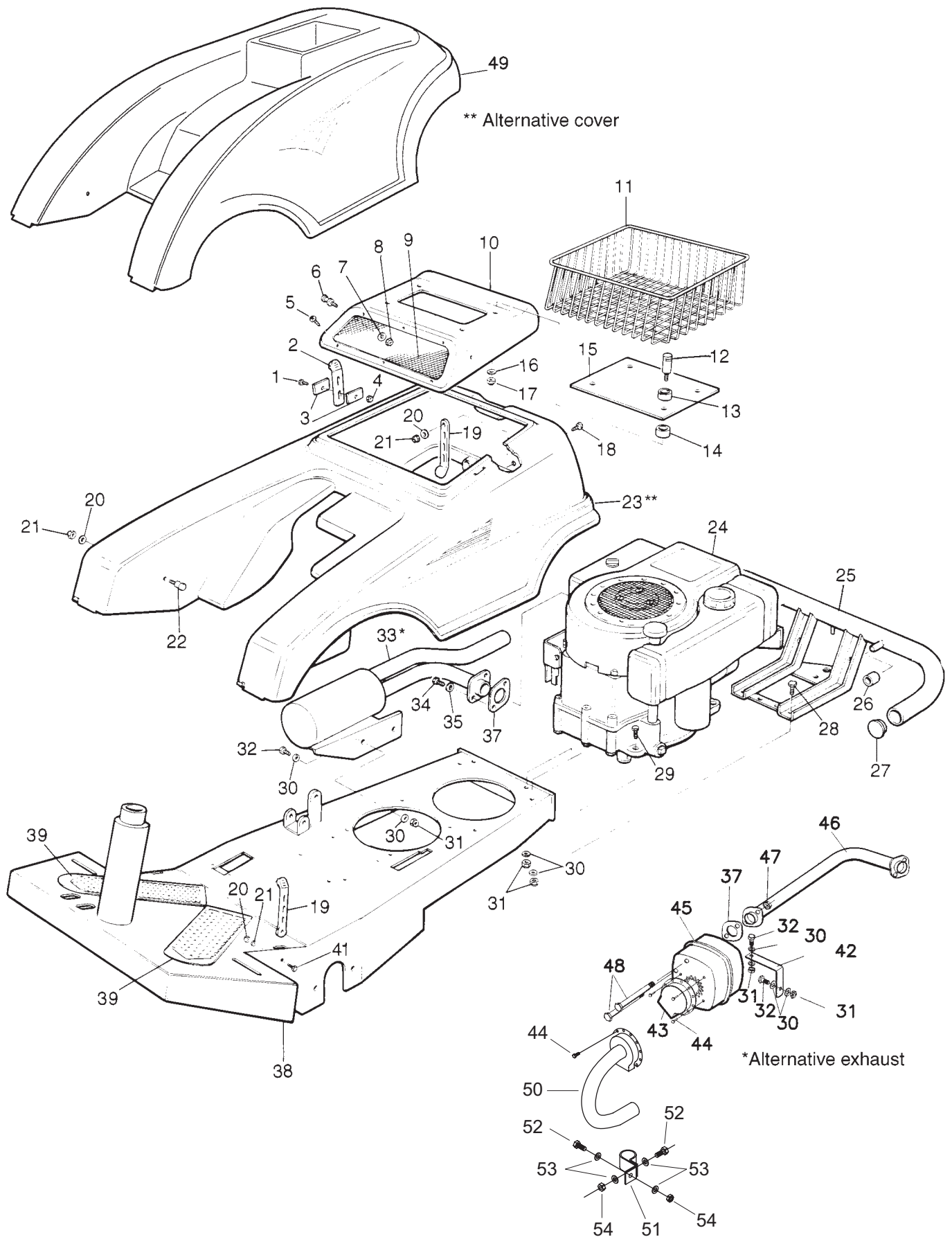
A large area of horizontal lines for writing, consisting of 30 light gray lines.



# RIDER 130

## the spare parts

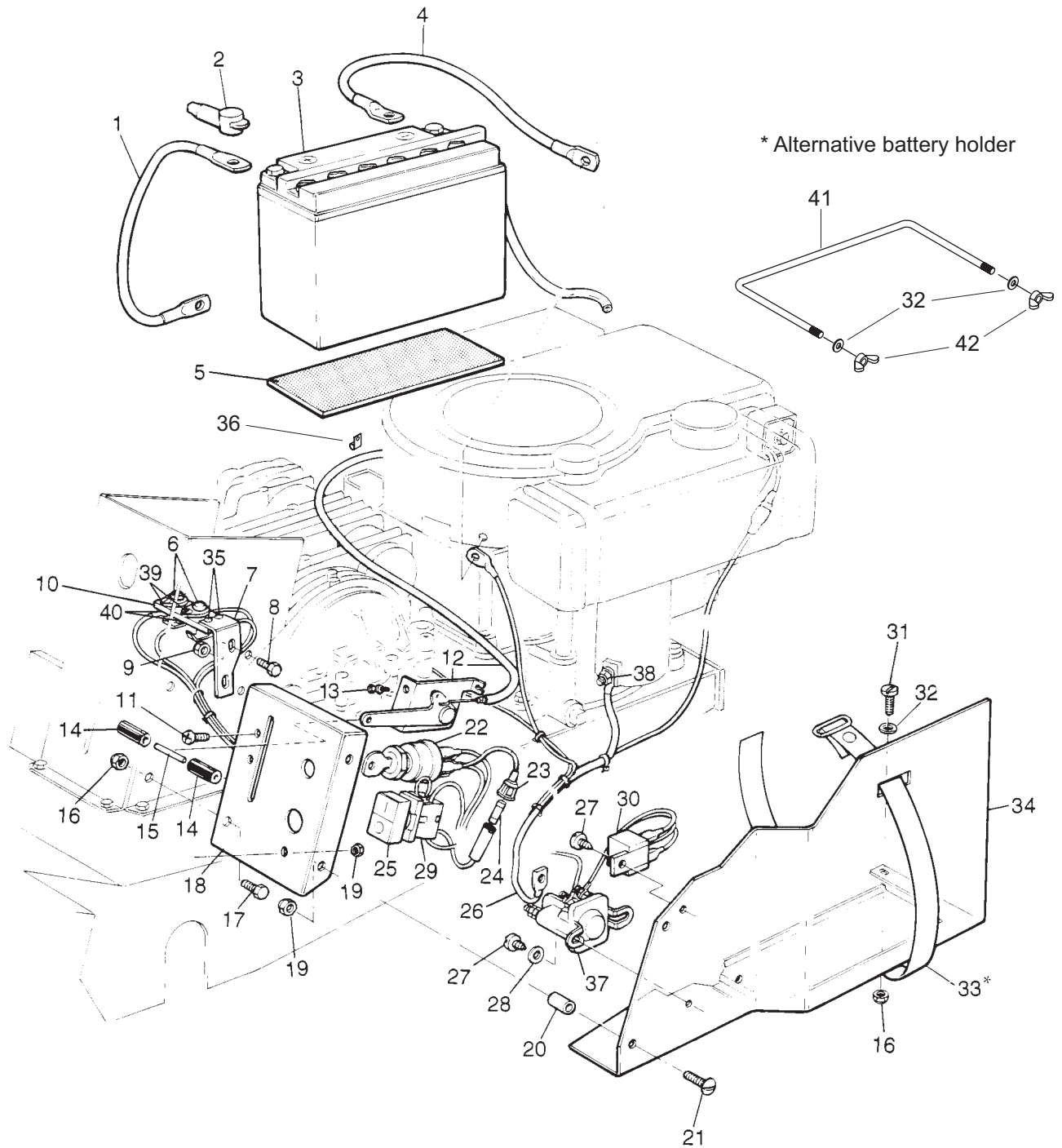




DRAWING NR.	PART NR.	DESCRIPTION	QUANT.	NOTICE
A5-A15	54L046-0006-0003	engine cover complete	1	
A11-A15,A49	54L046-0006-0002	engine cover complete	1	
A42-A48	54L046-0008-0001	exhaust complete	1	engine Briggs
A42-A48	54L046-0008-0002	exhaust complete	1	engine Tecumseh

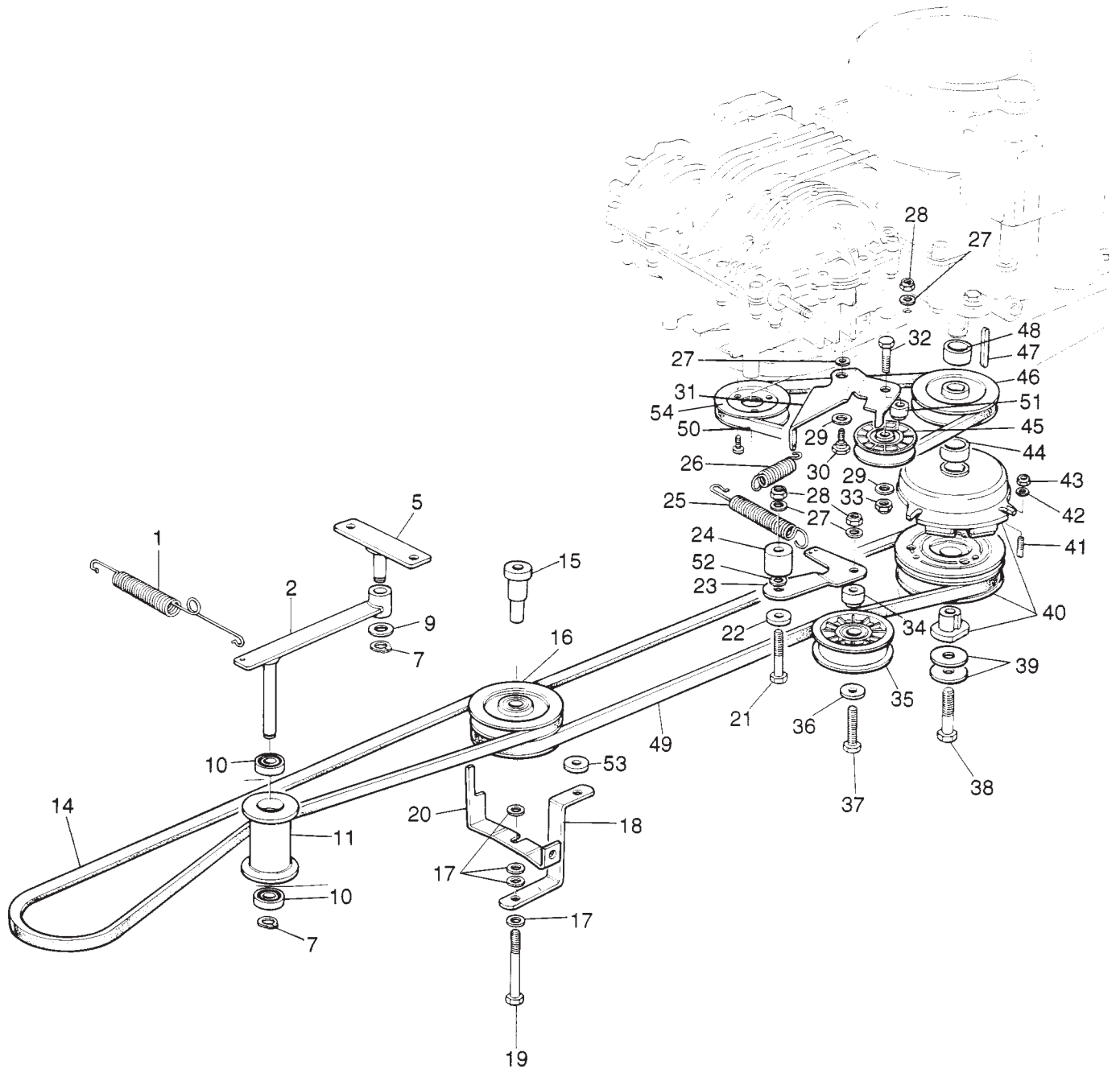


DRAWING NR.	PART NR.	DESCRIPTION	QUANT.	NOTICE
A1	54L001-1131-0410	bolt M4 x 10	2	for cover A23
A2	54L007-0001-0001	rubber toogle fastener	2	for cover A23
A3	54L037-0003-0001	clamp plate	4	for cover A23
A4	54L004-1492-0004	nut M4	2	for cover A23
A5	54L011-0022-3913	pin 4 x 12	6	for cover A23
A6	54L008-0001-0001	spigot	2	for cover A23
A7	54L003-1726-0053	washer 5,3	2	for cover A23
A8	54L004-1492-0005	nut M5	2	for cover A23
A9	54L013-0001-0001	gauze	1	for cover A23
A10	54L014-0001-0001	engine cover	1	for cover A23
A11	54L013-0002-0001	tool basket	1	
A12	54L008-0002-0002	pillar	4	from series DD 000391
A12	54L008-0002-0001	pillar	4	to series DD 000390
A13	54L009-0002-0001	spacer	4	
A14	54L009-0002-0006	spacer	4	from series DD 000391
A14	54L009-0002-0002	spacer	4	to series DD 000390
A15	54L037-0001-0001	plate	1	
A15	54L037-0001-0002	plate	1	for cover A49 - engine Tecumseh
A16	54L003-1726-0053	washer 5,3	4	
A17	54L004-1492-0005	nut M5	4	
A18	54L001-0073-0516	bolt M5 x 16	2	
A19	54L007-0001-0002	rubber toogle fastener	4	
A20	54L003-1726-0053	washer 5,3	5	
A21	54L004-1492-0005	nut M5	6	
A22	54L008-0001-0001	spigot	2	
A23	54L014-0002-0001	cover	1	RAL 3020
A23	54L014-0002-0002	cover	1	RAL 6001
A23	54L014-0002-0003	cover	1	RAL 3000
A23	54L014-0002-0004	cover	1	RAL 3002
A24	54L016-0001-0002	engine Briggs 12,5 HP	1	
A24	54L016-0001-0003	engine Tecumseh 12,5 HP	1	
A25	54L017-0001-0001	bumper	1	engine Briggs
A25	54L017-0001-0003	bumper	1	engine Tecumseh
A26	54L007-0002-0001	rubber bush	2	
A27	54L015-0014-0001	end plug	2	
A28	54L001-1103-0820	bolt M8 x 20	4	
A29	54L001-1101-0835	bolt M8 x 35	4	
A30	54L003-1702-0084	washer 8,4	11	
A31	54L004-1492-0008	nut M8	9	
A32	54L001-1103-0816	bolt M8 x 16	2	
A33	54L018-0001-0001	exhaust	1	engine Briggs - to series CC
A33	54L018-0001-0002	exhaust	1	engine Tecumseh - to series CC
A34	54L001-0931-0001	bolt 5/16 x 3/4"	2	
A35	54L003-1740-0082	washer 8,2	2	
A37	54L018-0002-0001	gasket	2	
A38	54L017-0002-0002	chassis	1	
A39	54L014-0003-0001	floor mat	2	
A41	54L001-1131-0520	bolt M5 x 20	2	
A42	54L008-0014-0002	brace	1	engine Briggs - from series DD
A42	54L008-0014-0003	brace	1	engine Tecumseh - from series DD
A43	54L018-0003-0001	deflector	1	from series DD
A44	54L002-7981-4295	screw 4,2 x 9,5	3	from series DD
A45	54L018-0001-0003	exhaust	1	from series DD
A46	54L018-0004-0001	exhaust pipe	1	engine Briggs - from series DD
A46	54L018-0004-0002	exhaust pipe	1	engine Tecumseh - from series DD
A47	54L004-0140-0516	nut 5/16"	2	from series DD
A48	54L001-0001-0009	bolt special	2	from series DD
A49	54L014-0002-0006	cover	1	RAL 3002 - engine Tecumseh
A49	54L014-0002-0007	cover	1	RAL 3020 - engine Tecumseh
A49	54L014-0002-0008	cover	1	RAL 3020 - engine Briggs
A49	54L014-0002-0009	cover	1	RAL 3002 - engine Briggs
A50	54L018-0004-0005	exhaust pipe	1	
A51	54L021-0010-0001	exhaust holder	1	
A52	54L001-1103-0820	bolt M8 x 20	2	
A53	54L003-1702-0084	washer 8,4	4	
A54	54L004-1492-0008	nut M8	2	
A5-A10	54L046-0006-0001	engine cover complete	1	





DRAWING NR.	PART NR.	DESCRIPTION	QUANT.	NOTICE
B1	54L019-0002-0001	battery cable (+)	1	
B2	54L015-0005-0001	guard cap	1	
B3	54L019-0001-0001	battery	1	
B4	54L019-0002-0002	battery cable (-)	1	
B5	54L007-0005-0001	battery pad	1	
B6	54L019-0003-0001	switch	2	
B7	54L020-0001-0001	bracket	1	
B8	54L001-1103-0614	bolt M6 x 14	2	
B9	54L004-1492-0006	nut M6	2	
B10	54L037-0006-0001	isolation plate	1	
B11	54L002-7981-4895	screw 4.8 x 9.5	2	
B12	54L008-0005-0001	choke control	1	
B13	54L008-0015-0004	support	1	
B14	54L015-0004-0001	handle	2	
B15	54L011-2156-0640	pin 6 x 40	1	
B16	54L004-1492-0006	nut M6	3	
B17	54L001-1103-0614	bolt M6 x 14	2	
B18	54L017-0004-0002	panel	1	
B19	54L004-1492-0005	nut M5	3	
B20	54L009-0001-0003	spacer	2	to series EE 00079
B21	54L001-1131-0512	bolt M5 x 12	2	
B22	54L019-0006-0001	starting switch	1	
B23	54L019-0008-0001	fuse holder	1	
B24	54L019-0009-0001	fuse 8A	1	
B25	54L019-0010-0001	blade button	1	to series EE (rectangle shape)
B25	54L019-0010-0002	blade button	1	from series FF (oval shape)
B26	54L019-0005-0003	cable harness	1	incl. B23, B24
B27	54L002-7981-4895	screw 4.8 x 9.5	3	
B28	54L003-1726-0053	washer 5,3	2	
B29	54L019-0011-0001	blade switch	1	to series EE
B29	54L019-0011-0002	blade switch	1	from series FF
B30	54L019-0012-0001	relay	1	
B31	54L001-1103-0610	bolt M6 x 14	1	
B32	54L003-1702-0064	washer 6,4	3	
B33	54L007-0004-0001	stretch strap	1	to series EE 00026
B34	54L021-0001-0002	battery shelf	1	
B35	54L011-0022-3913	pin 4 x 12	2	
B36	54L008-0015-0004	spigot	1	
B37	54L019-0007-0001	starting relay	1	
B38	54L004-0140-0014	nut 1/4"	1	
B39	54L001-1151-0416	bolt M4 x 16	2	
B40	54L004-1401-0004	nut M4	4	
B41	54L022-0005-0001	battery holder	1	from series EE 00027
B42	54L004-1665-0006	nut M6	2	from series EE 00027



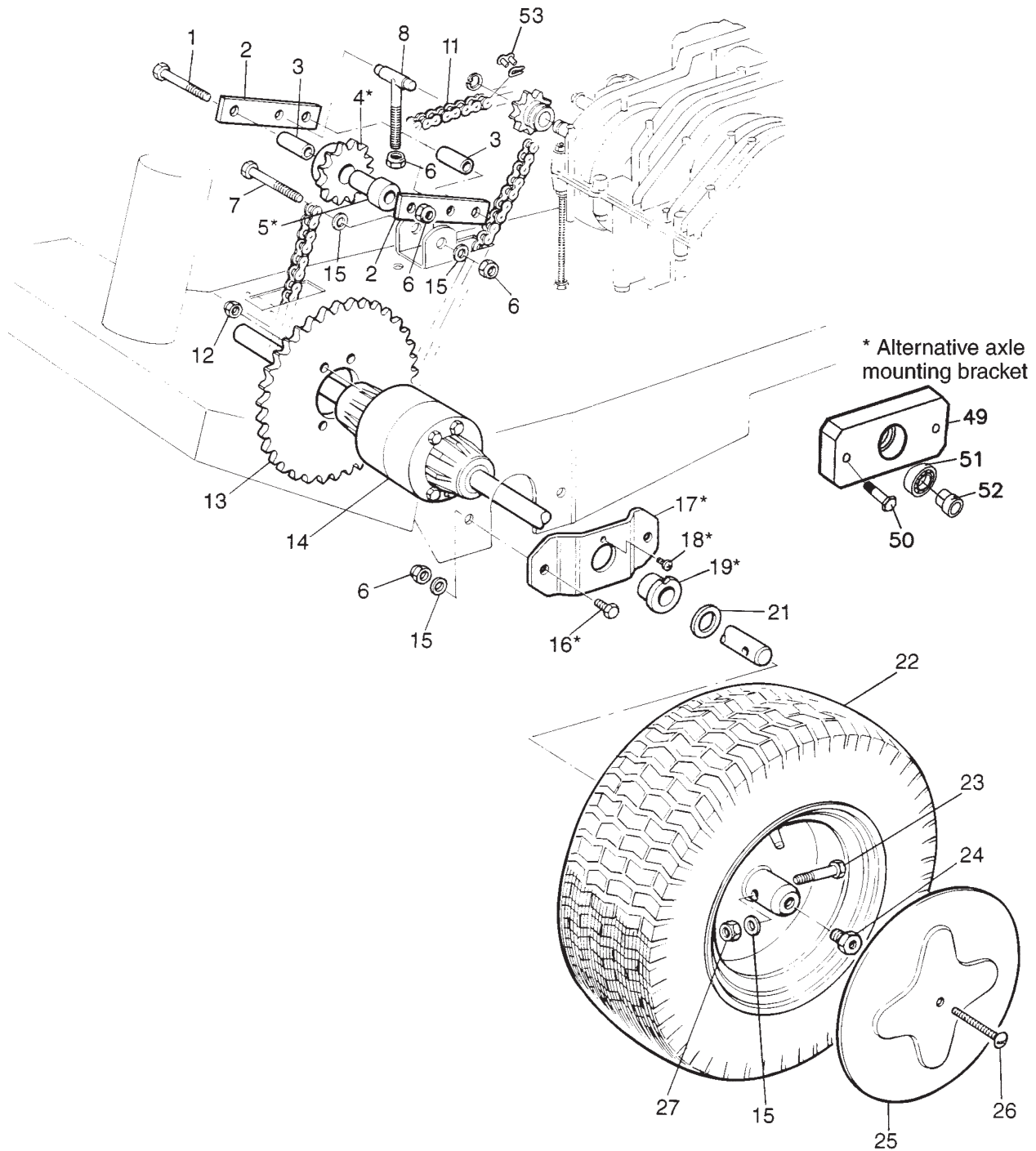




DRAWING NR.	PART NR.	DESCRIPTION	QUANT.	NOTICE
C1	54L023-0001-0004	spring	1	for Rider 130/85 to series EE
C2	54L021-0002-0001	arm	1	for Rider 130/85 to series EE
C2	54L021-0002-0003	arm	1	for Rider 130/105 to series EE 00017
C3	54L020-0001-0002	bracket	1	for Rider 130/85 to series EE
C7	54L006-2930-0012	circlip 12	1	for Rider 130/85 to series EE
C9	54L003-0001-0001	special washer	2	for Rider 130/85 to series EE
C10	54L035-0000-0005	bearing	2	for Rider 130/85 DD00167 to EE
C10	54L035-0000-0001	bearing	2	for Rider 130/85 to series DD 00166
C11	54L027-0002-0008	tension pulley	1	for Rider 130/85 to series EE
C14	54L024-0001-0001	V-belt	1	for Rider 130/85 to series EE
C14	54L024-0001-0011	V-belt	1	for Rider 130/105 from EE 00018
C14	54L024-0001-0006	V-belt	1	for Rider 130/105 to series EE 00017
C14	54L024-0001-0012	V-belt	1	for Rider 130/85 from series FF
C15	54L026-0001-0002	counter shaft	1	for Rider 130/85
C15	54L026-0001-0009	counter shaft	1	for Rider 130/105 from series EE 00018
C15	54L026-0001-0006	counter shaft	1	for Rider 130/105 to series EE 00017
C16	54L027-0002-0005	belt pulley	1	for Rider 130/85
C16	54L027-0001-0013	belt pulley	1	for Rider 130/105 from series EE 00018
C16	54L027-0002-0006	belt pulley	1	for Rider 130/105 to series EE 00017
C17	54L003-1702-0105	washer 10,5	4	
C18	54L008-0014-0001	brace	1	
C19	54L001-1101-1010	bolt M10 x 100	1	for Rider 130/85
C19	54L001-1101-1130	bolt M10 x 130	1	for Rider 130/105
C20	54L028-0000-0001	belt guide	1	
C21	54L001-1101-0850	bolt M8 x 50	1	
C22	54L010-0001-0002	bush	1	
C23	54L025-0000-0005	tensioner	1	
C24	54L009-0001-0007	spacer	1	
C25	54L023-0001-0012	spring	1	
C26	54L023-0001-0013	spring	1	
C27	54L003-1702-0084	washer 8,4	4	
C28	54L004-1492-0008	nut M8	4	
C29	54L003-1702-0105	washer 10,5	2	
C30	54L002-0001-0001	screw special	1	
C31	54L025-0000-0006	tensioner	1	
C32	54L001-1101-1035	bolt M10 x 35	1	
C33	54L004-1492-0010	nut M10	1	
C34	54L009-0001-0006	spacer	1	
C35	54L027-0002-0001	tension pulley	1	
C36	54L003-1727-0009	washer 9	1	
C37	54L001-1101-0850	bolt M8 x 50	1	
C38	54L001-0931-0004	bolt 7/16 x 2 1/2"	1	
C39	54L003-1727-0014	washer 14	2	
C40	54L016-0006-0001	electric clutch	1	
C41	54L001-1187-0830	bolt M8 x 30	1	
C42	54L003-1702-0084	washer 8,4	1	
C43	54L004-1492-0008	nut M8	1	
C44	54L009-0001-0008	spacer	1	
C45	54L027-0002-0002	tension pulley	1	
C46	54L027-0001-0006	belt pulley	1	
C47	54L029-0000-0003	key	1	
C48	54L009-0001-0009	spacer	1	
C49	54L024-0001-0004	V-belt	1	
C50	54L024-0001-0005	V-belt	1	
C51	54L026-0001-0003	counter shaft	1	
C52	54L003-0002-0001	special washer 0,1 mm		what is needed
C52	54L003-0002-0002	special washer 0,2 mm		what is needed
C52	54L003-0002-0003	special washer 0,3 mm		what is needed
C53	54L010-0001-0009	bush	1	for Rider 130/105 from series EE 00018
C54	54L027-0001-0014	belt pulley	1	
C1-C11	54L046-0001-0001	tension pulley complete	1	
C66-C67	54L046-0001-0002	tension pulley complete	1	



\*Alternative D4  
chain tensioner roller

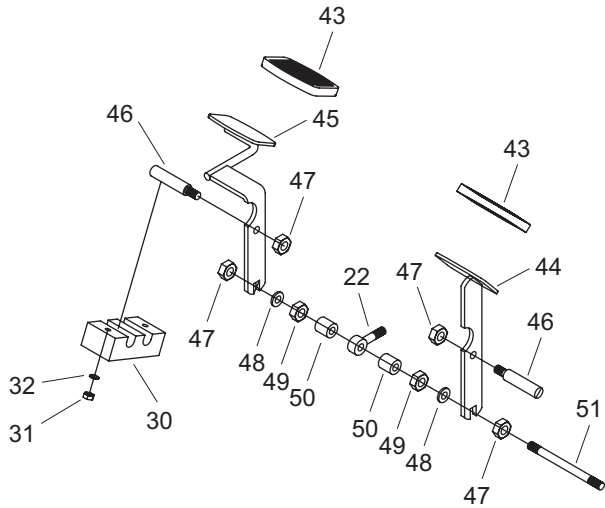




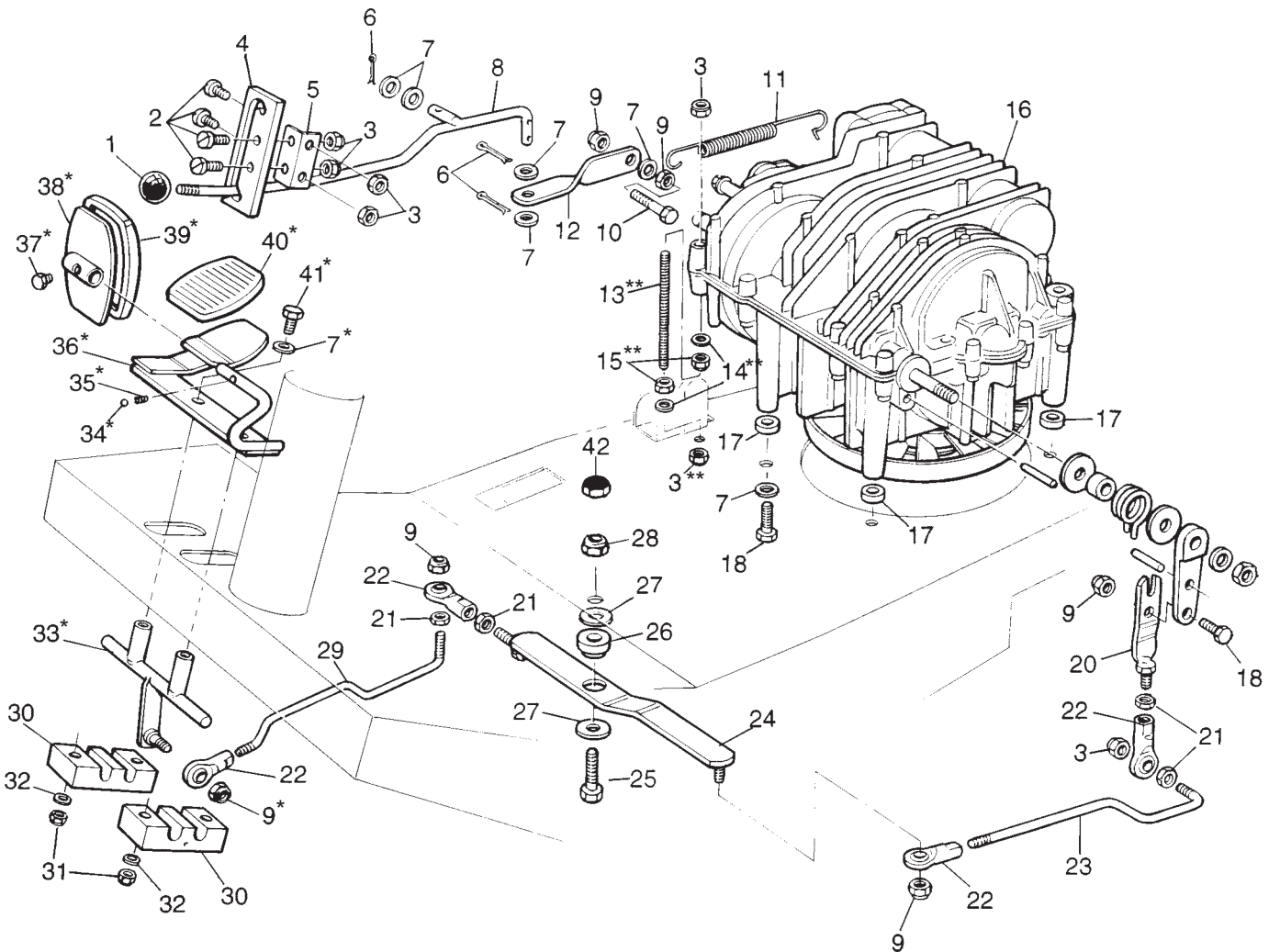
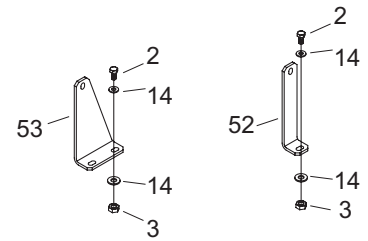
DRAWING NR.	PART NR.	DESCRIPTION	QUANT.	NOTICE
D1	54L001-1101-0850	bolt M8 x 50	1	
D2	54L037-0005-0001	chain tensioner plate	2	
D3	54L009-0001-0010	spacer	2	
D4	54L015-0007-0001	chain tensioner roller	1	from series CC
D4	54L015-0007-0002	chain tensioner roller	1	to series BB
D5	54L026-0001-0004	counter shaft	1	to series BB
D6	54L004-1492-0008	nut M8	6	
D7	54L001-1101-0860	bolt M8 x 60	1	
D8	54L030-0001-0001	rod	1	
D11	54L016-0003-0002	chain	1	
D12	54L004-0934-0001	nut 5/16"	4	
D13	54L016-0004-0001	sprocket	1	
D14	54L016-0005-0001	differential	1	
D15	54L003-1702-0084	washer 8,4	8	
D16	54L001-1103-0825	bolt M8 x 25	4	to series CC
D17	54L020-0002-0001	axle mounting bracket	2	to series CC
D18	54L001-1131-0058	bolt M5 x 8	2	to series CC
D19	54L010-0003-0001	bush special oilite	2	to series CC
D21	54L003-0000-0010	washer 1 mm		what is needed
D21	54L003-0000-0020	washer 2 mm		what is needed
D21	54L003-0000-0005	washer 0,5 mm		what is needed
D22	54L039-0000-0001	wheel	2	
D23	54L001-0001-0003	bolt special	2	from series CC 00223
D23	54L001-0001-0002	bolt special	2	to series CC 00222
D24	54L001-0001-0004	bolt special	2	option
D25	54L014-0005-0001	wheel cover big	2	option
D26	54L001-1147-0550	bolt M5 x 50	2	option
D27	54L004-1492-0008	nut M8	2	
D49	54L020-0002-0002	axle mounting bracket	2	from series DD
D50	54L001-1101-0835	bolt M8 x 35	4	from series DD
D51	54L035-0000-0004	bearing	2	from series DD
D52	54L010-0002-0006	bush	2	from series DD
D53	54L016-0003-0003	chain connection	1	
D49-D52	54L046-0005-0005	bearingplate complete	1	



\* Alternative pedal system

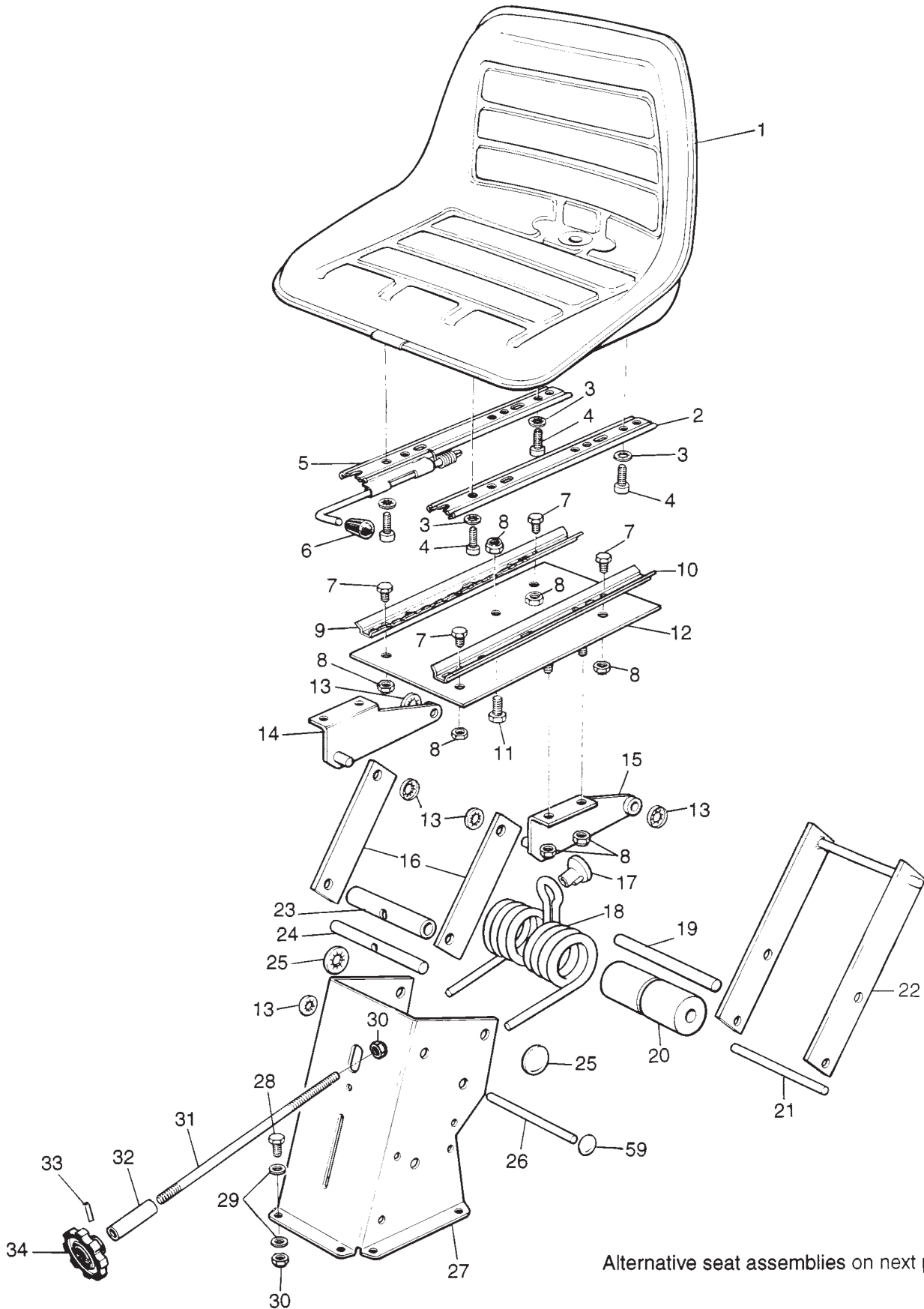


\*\* Alternative support





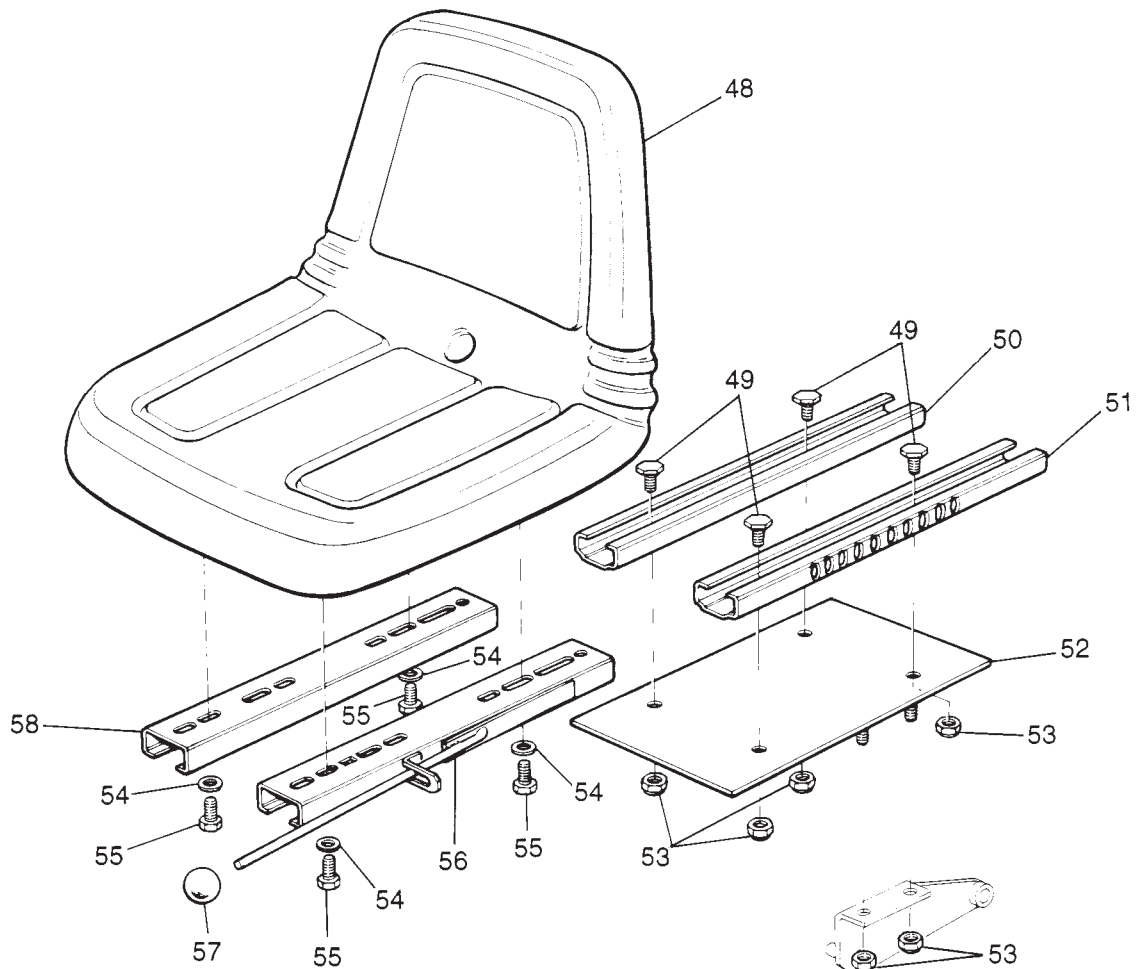
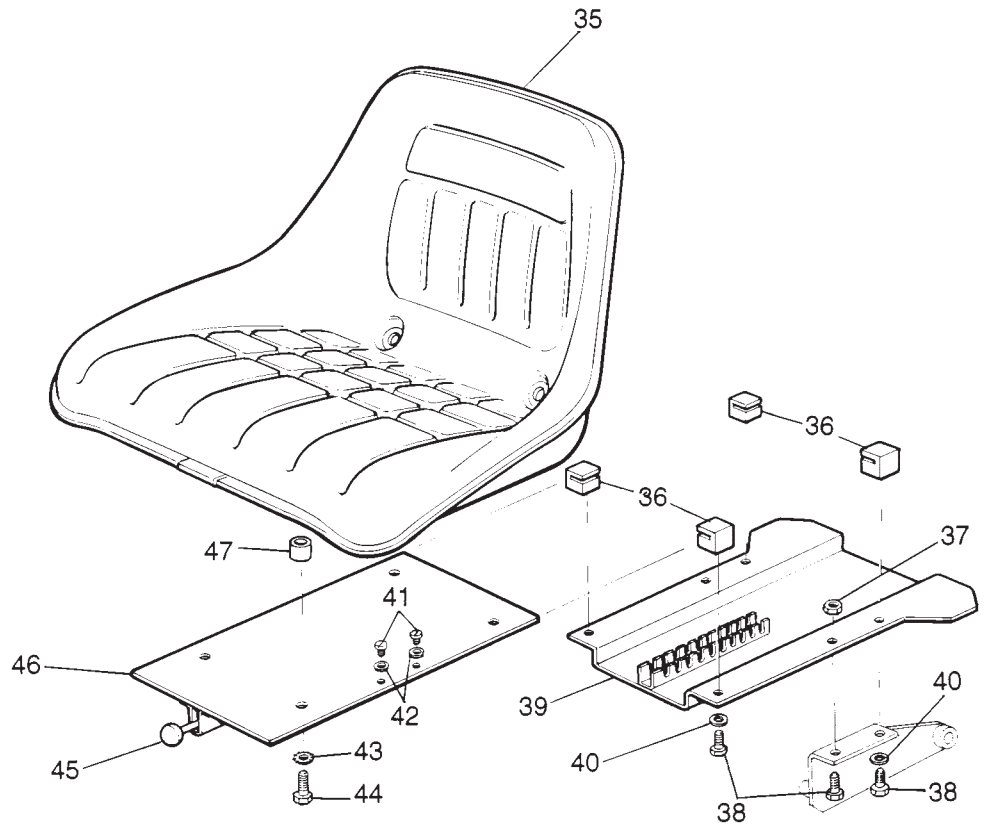
DRAWING NR.	PART NR.	DESCRIPTION	QUANT.	NOTICE
E1	54L015-0003-0002	ballgrip	1	
E2	54L001-1103-0620	bolt M6 x 20	5	
E3	54L004-1492-0006	nut M6	7	
E4	54L015-0015-0001	lock plate	1	
E5	54L020-0001-0008	bracket	1	
E6	54L011-1781-0325	split pin 3 x 25	3	
E7	54L003-1702-0084	washer 8,4	9	
E8	54L030-0009-0001	control rod	1	
E9	54L004-1492-0008	nut M8	5	
E10	54L001-1103-0825	bolt M8 x 25	2	
E11	54L023-0001-0005	spring	1	
E12	54L030-0009-0002	control rod	1	
E13	54L008-0015-0001	support	1	to series DD
E14	54L003-1702-0064	washer 6,4	2	
E15	54L004-1401-0006	nut M6	1	
E16	54L016-0002-0002	hydro gearbox	1	
E17	54L009-0001-0004	spacer	4	to series EE 00198
E17	54L009-0001-0021	spacer	4	from series EE 00199
E18	54L001-1101-0840	bolt M8 x 40	4	
E19	54L001-1103-0820	bolt M8 x 20	1	
E20	54L034-0002-0003	control lever	1	
E21	54L004-1403-0008	nut M8	4	
E22	54L008-0491-0006	joint	4	
E23	54L030-0009-0004	control rod	1	
E24	54L034-0002-0002	control lever	1	
E25	54L001-0001-0010	bolt special	1	
E26	54L009-0001-0005	spacer	1	
E27	54L003-0001-0015	speacial washer	2	
E28	54L004-0175-0010	nut M10	1	
E29	54L030-0009-0003	control rod	1	
E30	54L015-0001-0001	bearer	2	
E31	54L004-1492-0006	nut M6	4	
E32	54L003-1702-0064	washer 6,4	4	
E33	54L034-0002-0004	control lever	1	
E34	54L008-0008-0001	ball 4 mm	1	
E35	54L023-0001-0014	spring	1	
E36	54L022-0002-0001	backward pedal	1	
E37	54L001-1103-0610	bolt M6 x 10	1	
E38	54L022-0001-0001	forward pedal	1	
E39	54L007-0003-0002	pedal rubber	1	
E40	54L007-0003-0001	pedal rubber	1	
E41	54L001-1103-0816	bolt M8 x 16	2	
E42	54L015-0011-0003	bolt cover	1	
E43	54L007-0003-0001	pedal rubber	2	
E44	54L022-0001-0002	forward pedal	1	
E45	54L022-0002-0002	backward pedal	1	
E46	54L008-0002-0003	pillar	2	
E47	54L004-1492-0008	nut M8	4	
E48	54L003-1702-0084	washer 8,4	2	
E49	54L004-1401-0008	nut M8	2	
E50	54L010-0001-0010	bush	2	
E51	54L030-0001-0005	rod	1	
E52	54L008-0015-0002	support	1	from series EE to series FF 00100
E53	54L008-0015-0003	support	1	from series FF 00101
E34-E40	54L046-0007-0001	pedal complete	1	
E43-E51	54L046-0007-0002	pedal complete	1	



Alternative seat assemblies on next page



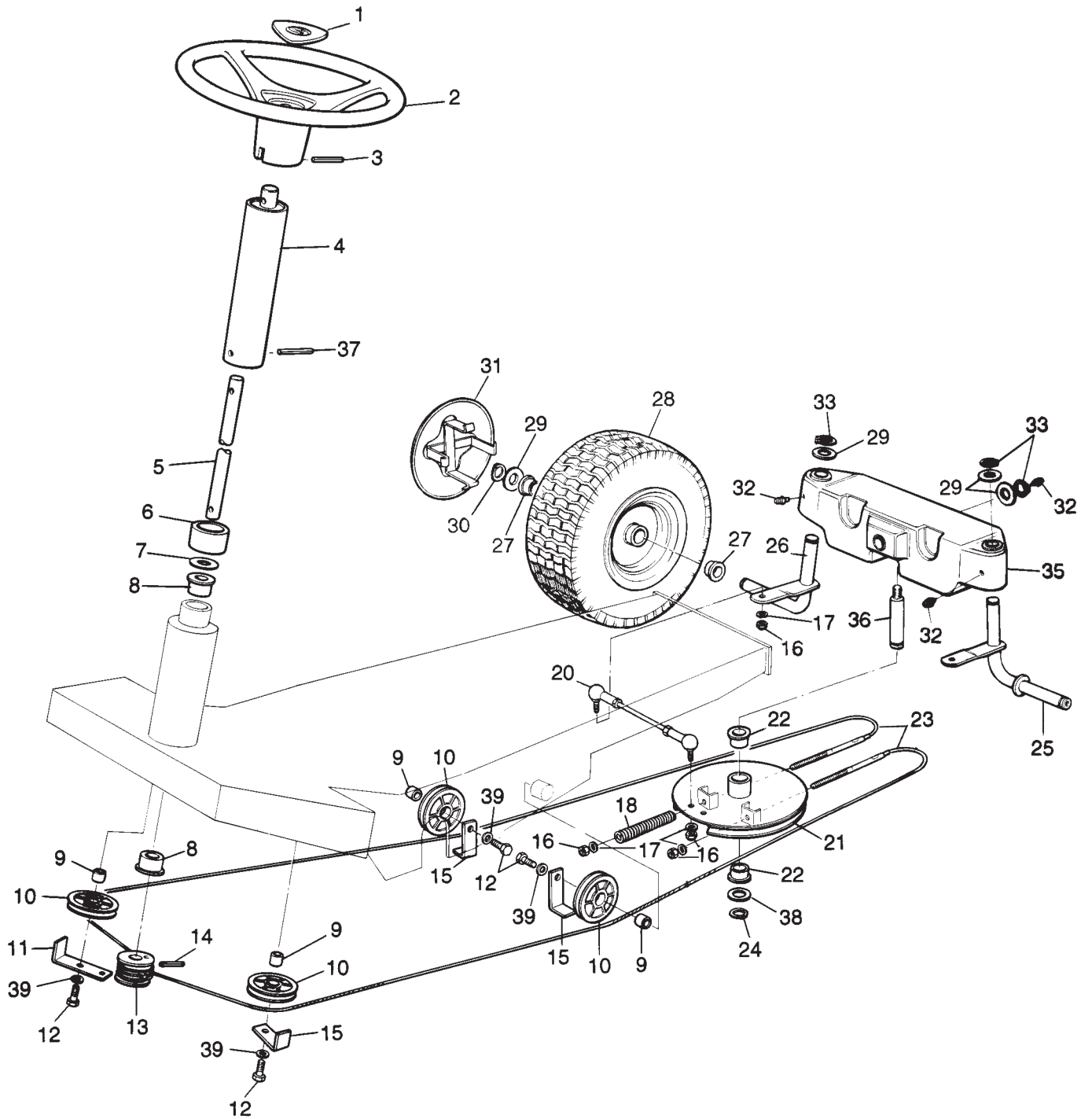
DRAWING NR.	PART NR.	DESCRIPTION	QUANT.	NOTICE
F1	54L040-0001-0002	seat 2	1	
F1	54L040-0001-0005	seat 2	1	with Klippo logo
F2	54L040-0002-0001	slide left top	1	
F3	54L003-1745-0084	washer 8,4	4	
F4	54L001-1143-0825	bolt M8 x 25	4	
F5	54L040-0002-0002	slide right top	1	
F6	54L015-0002-0002	knob	1	
F7	54L001-1103-0816	bolt M8 x 16	4	
F8	54L004-1492-0008	nut M8	9	
F9	54L040-0003-0002	slide right below	1	
F10	54L040-0003-0001	slide left below	1	
F11	54L001-1103-0820	bolt M8 x 20	1	
F12	54L038-0001-0001	seat adjustment	1	
F13	54L005-0000-0002	push-on fastener	2	
F14	54L020-0003-0002	seat support bracket right	1	
F15	54L020-0003-0001	seat support bracket left	1	
F16	54L037-0007-0001	pivot plate	2	
F17	54L008-0004-0001	spring nut	1	
F18	54L023-0002-0001	seat spring	1	
F19	54L030-0001-0002	rod	1	
F20	54L015-0008-0001	spring pivot pin	2	
F21	54L030-0004-0001	seat rod	1	
F22	54L021-0003-0001	spring shackle	1	
F23	54L031-0000-0001	tube	1	
F24	54L032-0001-0001	shaft	1	
F25	54L005-0000-0003	push-on fastener	4	
F26	54L032-0001-0002	shaft	1	
F27	54L020-0004-0002	seat bracket	1	
F28	54L001-1103-0825	bolt M8 x 25	6	
F29	54L003-1702-0084	washer 8,4	12	
F30	54L004-1492-0008	nut M8	7	
F31	54L030-0005-0001	tension rod	1	
F32	54L031-0000-0002	tube	1	
F33	54L011-2150-0325	locating pin 3 x 25	1	
F34	54L015-0002-0003	knob	1	





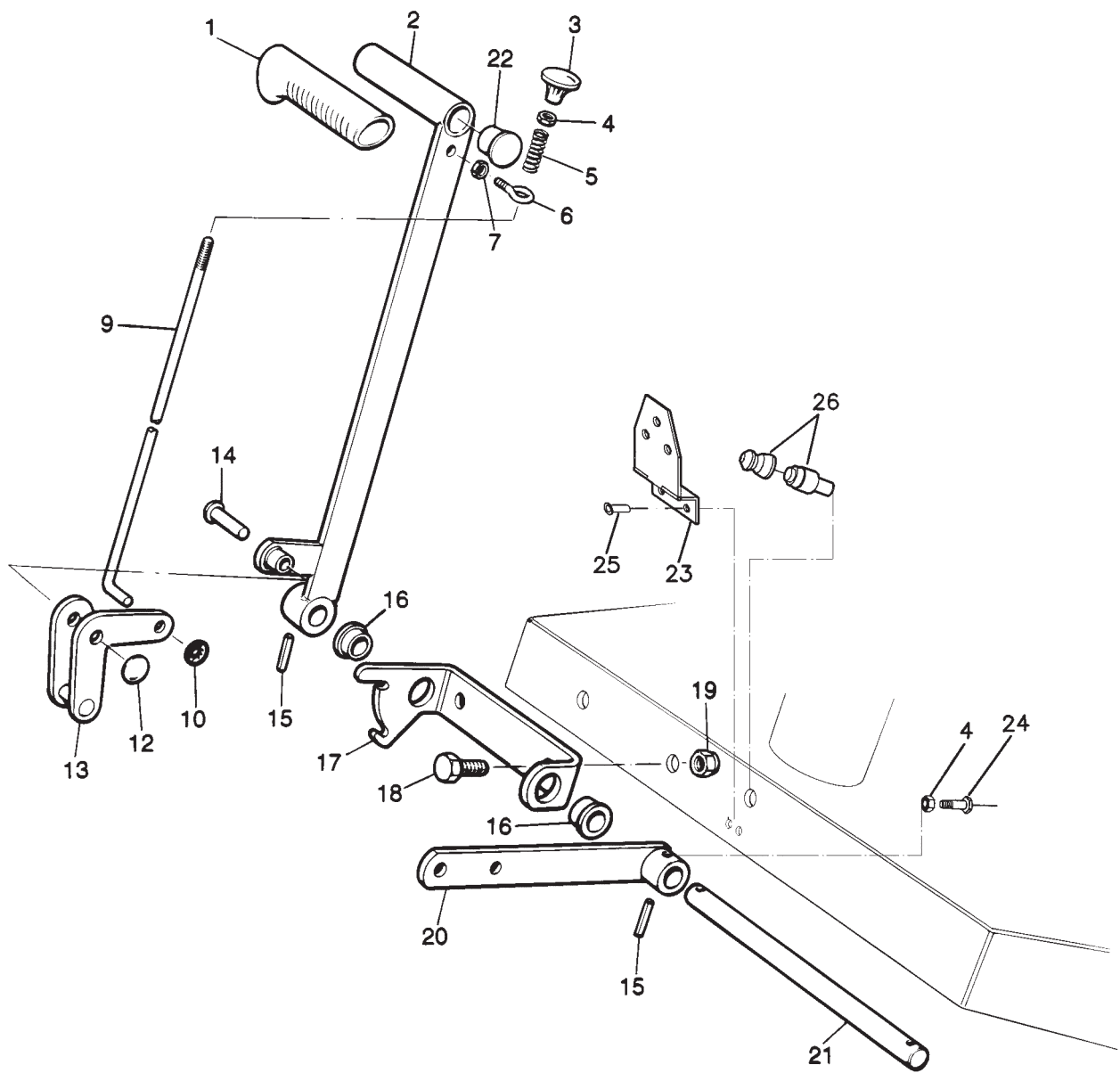


DRAWING NR.	PART NR.	DESCRIPTION	QUANT.	NOTICE
F35	54L040-0001-0001	seat 1	1	
F36	54L008-0003-0001	guide	4	
F37	54L004-1401-0008	nut M8	2	
F38	54L001-1103-0812	bolt M8 x 12	6	
F39	54L038-0002-0001	seat support	1	
F40	54L003-1702-0084	washer 8,4	4	
F41	54L001-1131-0058	bolt M5 x 8	2	
F42	54L003-1740-0051	washer 5,1	2	
F43	54L003-1745-0084	washer 8,4	4	
F44	54L001-1103-0820	bolt M8 x 20	4	
F45	54L015-0003-0001	ballgrip	1	
F46	54L038-0001-0002	seat adjustment	1	
F47	54L009-0002-0003	spacer	4	
F48	54L040-0001-0003	seat 3	1	
F49	54L001-1103-0816	bolt M8 x 16	4	
F50	54L040-0003-0004	slide right below	1	
F51	54L040-0003-0003	slide left below	1	
F52	54L038-0001-0003	seat adjustment	1	
F53	54L004-1492-0008	nut M8	8	
F54	54L003-1702-0084	washer 8,4	4	
F55	54L001-1103-0816	bolt M8 x 16	4	
F56	54L040-0002-0003	slide left top	1	
F57	54L015-0002-0004	knob	1	
F58	54L040-0002-0004	slide right top	1	
F59	54L005-0000-0004	push-on fastener	2	





DRAWING NR.	PART NR.	DESCRIPTION	QUANT.	NOTICE
G1	54L042-0002-0001	steering column cover	1	to series EE
G1	54L042-0002-0004	steering column cover	1	to series EE
G2	54L042-0003-0001	steering wheel	1	
G3	54L011-2156-0626	roll pin 6 x 26	1	
G4	54L042-0004-0001	steering column	1	identical with 54L042-0004-0002
G5	54L032-0004-0001	steering column shaft	1	
G6	54L010-0002-0001	bush	1	
G7	54L003-0003-0008	thrust washer 0,8 mm		what is needed
G7	54L003-0003-0015	thrust washer 1,5 mm		what is needed
G8	54L010-0002-0002	bush	2	
G9	54L010-0001-0003	bush	4	
G10	54L015-0009-0001	cable idler wheel	4	
G11	54L020-0005-0001	idler wheel bracket	1	to series EE
G12	54L001-1101-1030	bolt M10 x 30	4	
G13	54L042-0001-0001	steering pulley	1	
G14	54L011-2156-0636	roll pin 6 x 36	1	
G15	54L020-0005-0002	idler wheel bracket	4	
G16	54L004-1492-0008	nut M8	6	
G17	54L003-1702-0084	washer 8,4	6	
G18	54L023-0001-0008	spring	1	
G20	54L030-0007-0001	tie rod	2	
G21	54L042-0001-0002	steering pulley	1	
G22	54L010-0002-0003	bush	2	
G23	54L041-0002-0001	steering cable	1	
G24	54L006-2930-0020	circlip	1	
G25	54L043-0001-0001	axle left	1	
G26	54L043-0001-0002	axle right	1	
G27	54L010-0004-0001	bush oilite	4	Trelleborg
G27	54L010-0004-0002	bush oilite	4	Vlukon - Duro
G27	54L010-0004-0003	bush oilite	4	ADR
G28	54L039-0000-0002	wheel	2	
G29	54L003-0001-0011	special washer 0,5 mm		what is needed
G29	54L003-0001-0008	special washer 1 mm		what is needed
G29	54L003-0001-0009	special washer 2 mm		what is needed
G29	54L003-1702-0021	special washer 3 mm		what is needed
G30	54L006-2930-0020	circlip 20	2	
G31	54L014-0005-0002	wheel cover small	2	option
G32	54L012-7421-0006	grease nipple KM6	3	
G33	54L006-2930-0020	circlip 20	3	
G35	54L036-0001-0001	rear axle body	1	
G36	54L043-0002-0001	axle pin	1	
G37	54L011-2156-0645	roll pin 6 x 45	1	
G38	54L003-0000-0015	washer 1,5 mm	1	
G39	54L003-1702-0105	washer 10,5	4	





DRAWING NR.	PART NR.	DESCRIPTION	QUANT.	NOTICE
H1	54L015-0004-0003	handle	1	
H2	54L034-0005-0001	lift lever	1	
H3	54L015-0002-0005	knob	1	
H4	54L004-1401-0006	nut M6	2	
H5	54L023-0001-0009	spring	1	
H6	54L002-1006-0515	eyescrew M5 x 15	1	
H7	54L004-1403-0005	nut M5	1	
H9	54L030-0008-0001	push rod	1	
H10	54L005-0000-0001	push-on fastener	1	
H12	54L005-0000-0005	push-on fastener	1	
H13	54L020-0001-0003	bracket	1	
H14	54L011-0660-0830	pin 8 x 30	1	
H15	54L011-2156-0830	roll pin 8 x 30	2	
H16	54L010-0002-0004	bush	2	
H17	54L020-0001-0004	bracket	1	
H18	54L001-1103-1020	bolt M10 x 20	2	
H19	54L004-1492-0010	nut M10	2	
H20	54L021-0002-0002	lift arm	1	to series EE
H20	54L021-0002-0009	lift arm	1	from series FF
H21	54L032-0003-0001	lift shaft	1	
H22	54L015-0002-0006	knob	1	
H23	54L019-0013-0001	switch complete	1	
H23	54L008-0017-0001	hinge	1	to series EE
H23	54L008-0017-0002	hinge	1	from series FF
H24	54L001-1103-0620	bolt M6 x 20	1	
H25	54L011-0022-3913	pin 4 x 12	2	
H26	54L019-0013-0001	switch complete	1	
H1-H22	54L046-0002-0001	handle complete	1	to series EE
H1-H22	54L046-0002-0003	handle complete	1	from series FF



**NOTICE**

A large area of horizontal lines for writing, consisting of 30 rows of light gray lines on a white background.

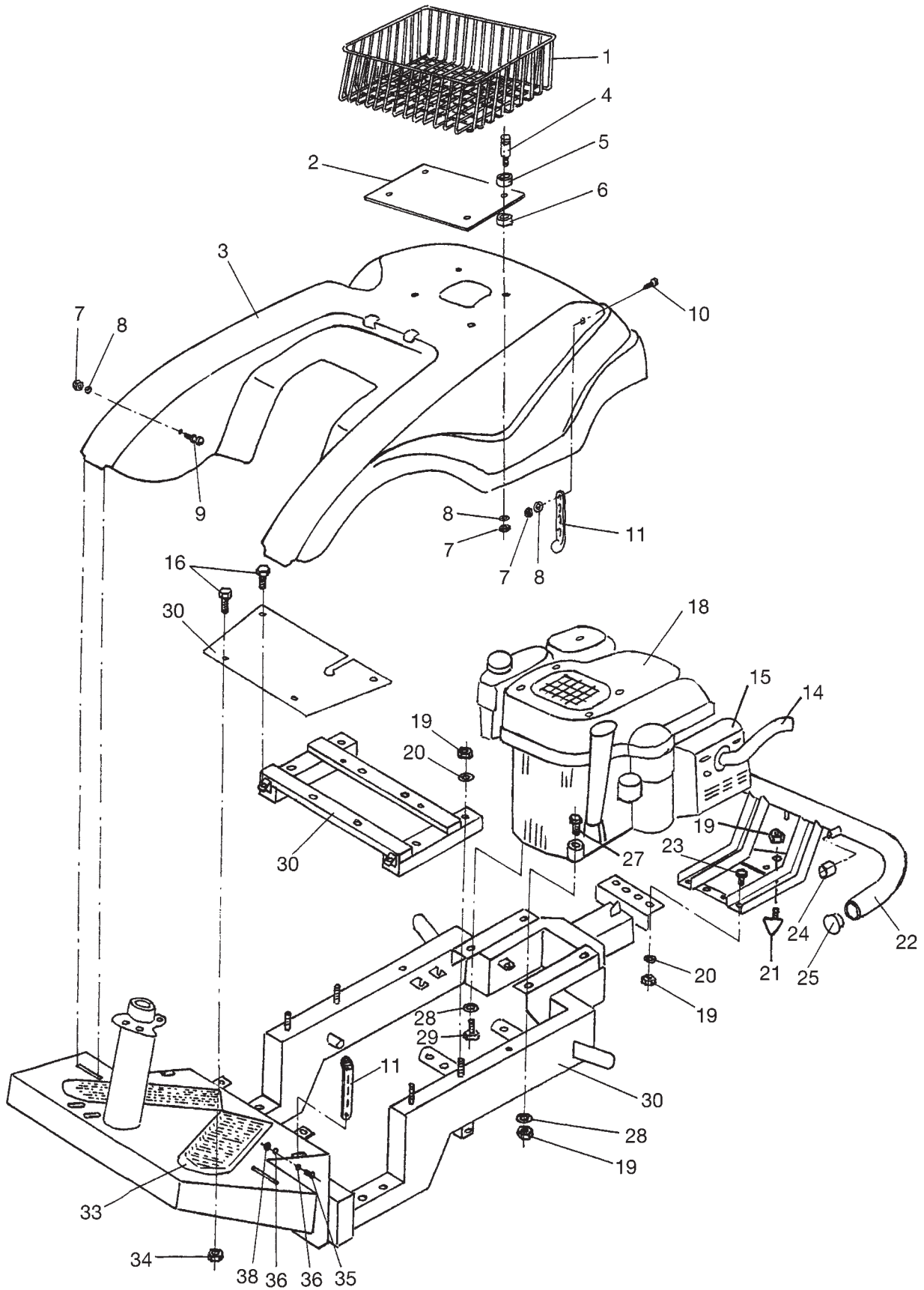


**RIDER 140**

**to series EE**

**the spare parts**





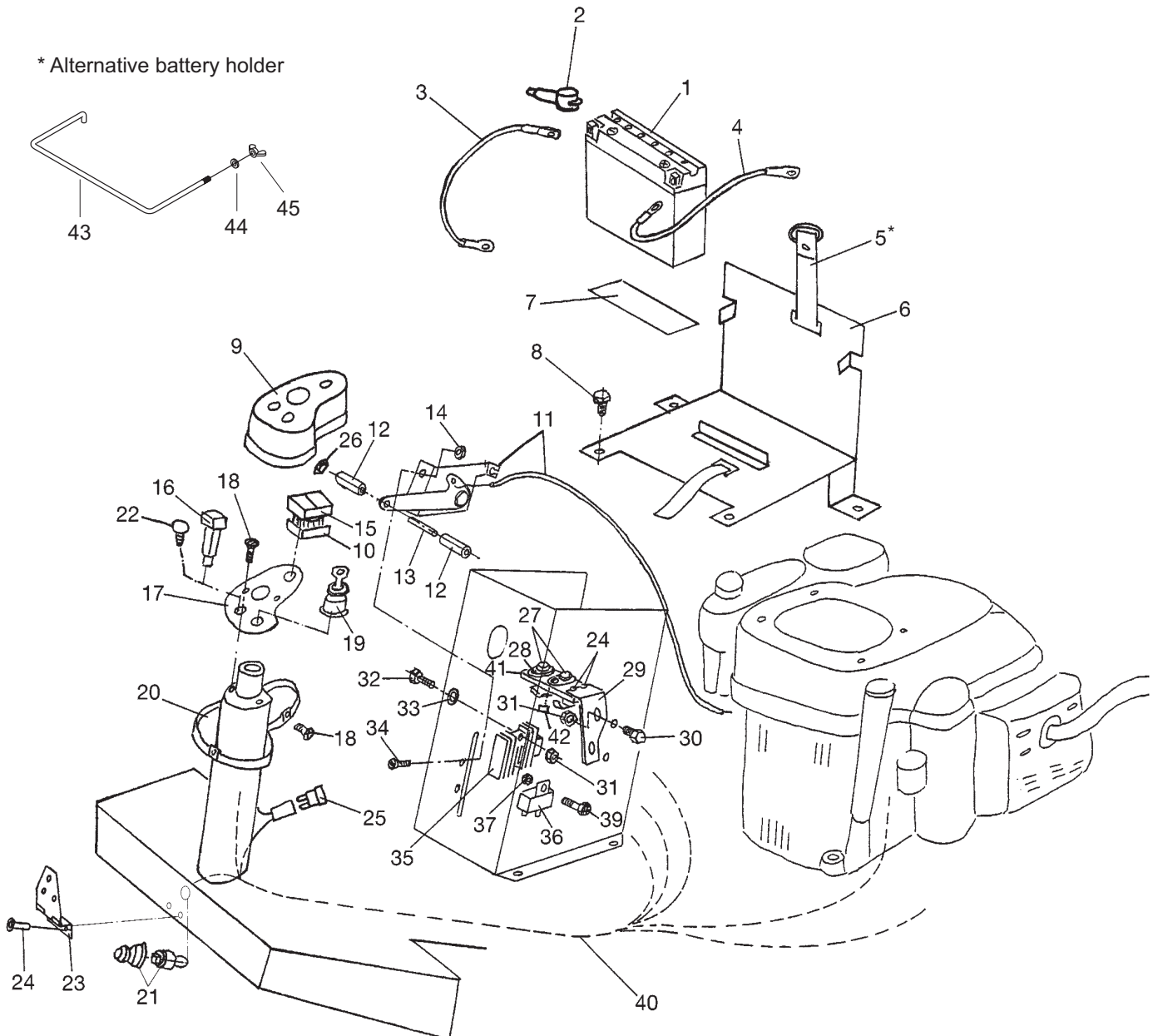




DRAWING NR.	PART NR.	DESCRIPTION	QUANT.	NOTICE
A1	54L013-0002-0001	tool basket	1	
A2	54L037-0001-0001	plate	1	
A3	54L014-0002-0012	cover	1	RAL 3002
A3	54L014-0002-0011	cover	1	RAL 3000
A3	54L014-0002-0010	cover	1	RAL 3020
A4	54L008-0002-0002	pillar	4	
A5	54L009-0002-0001	spacer	4	
A6	54L009-0002-0006	spacer	4	
A7	54L004-1492-0005	nut M5	8	
A8	54L003-1726-0053	washer 5,3	8	
A9	54L008-0001-0001	spigot	2	
A10	54L001-0073-0516	bolt M5 x 16	2	
A11	54L007-0001-0002	rubber toggle fastener	4	
A14	54L018-0004-0003	exhaust pipe	1	
A15	54L018-0001-0004	exhaust	1	
A16	54L001-0102-0612	bolt M6 x 12	4	
A18	54L016-0001-0005	engine Honda 13,5 HP	1	
A19	54L004-1492-0008	nut M8	8	
A20	54L003-1702-0084	washer 8,4	4	
A21	54L007-0007-0001	rubber inpact	2	
A22	54L017-0001-0002	bumper	1	
A23	54L001-1103-0820	bolt M8 x 20	2	
A24	54L007-0002-0001	rubber bush	2	
A25	54L015-0014-0001	end plug	2	
A27	54L001-1101-0840	bolt M8 x 40	2	
A28	54L003-1727-0009	washer 9	4	
A29	54L001-0065-0820	bolt M8 x 20	2	
A30	54L017-0002-0005	chassis	1	from series EE 00014
A30	54L017-0002-0004	chassis	1	to series EE 00013
A33	54L014-0003-0001	floor mat	2	
A34	54L004-1492-0006	nut M6	2	
A35	54L001-0084-0520	bolt M5 x 20	2	
A36	54L003-1726-0053	washer 5,3	4	
A38	54L004-1492-0005	nut M5	2	



\* Alternative battery holder

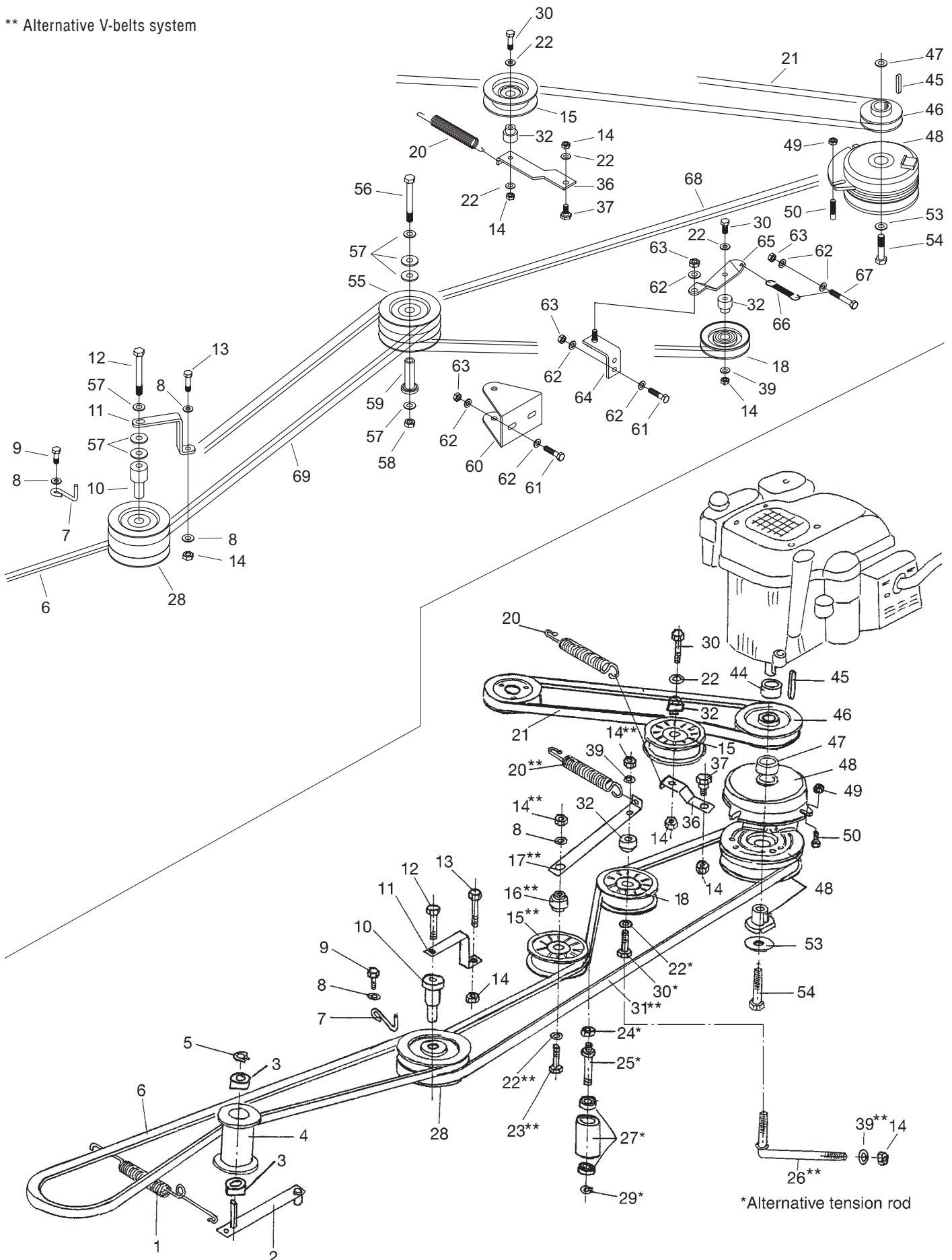




DRAWING NR.	PART NR.	DESCRIPTION	QUANT.	NOTICE
B1	54L019-0001-0001	battery	1	
B2	54L015-0005-0001	guard cap	2	
B3	54L019-0002-0001	battery cable (+)	1	
B4	54L019-0002-0002	battery cable (-)	1	
B5	54L007-0004-0001	stretch strap	1	to series EE 00026
B6	54L021-0001-0003	battery shelf	1	
B7	54L007-0005-0001	battery pad	1	
B8	54L001-1103-0610	bolt M6 x 10	4	
B9	54L014-0006-0001	instrument panel	1	
B10	54L019-0011-0001	blade switch	1	
B11	54L008-0005-0001	choke control	1	
B12	54L015-0004-0002	handle	2	
B13	54L001-1131-0550	bolt M5 x 50	1	
B14	54L004-1492-0004	nut M4	2	
B15	54L019-0010-0001	blade button	1	
B16	54L019-0015-0001	indicator	1	
B17	54L037-0001-0003	plate	1	
B18	54L002-7981-4895	screw 4,8 x 9,5	5	
B19	54L019-0006-0001	starting switch	1	
B20	54L014-0006-0002	instrument panel cover	1	
B21	54L019-0013-0001	switch complete	1	
B22	54L019-0014-0001	bulb	1	
B23	54L008-0017-0001	hinge	1	
B24	54L011-0022-3913	pin 4 x 12	4	
B25	54L019-0009-0002	fuse 7A	1	
B26	54L004-0546-0005	nut M5	1	
B27	54L019-0003-0001	switch	2	
B28	54L001-1151-0416	bolt M4 x 16	2	
B29	54L020-0001-0001	bracket	1	
B30	54L001-1103-0614	bolt M6 x 14	2	
B31	54L004-1492-0006	nut M6	3	
B32	54L001-1103-0630	bolt M6 x 30	1	
B33	54L004-1727-0009	washer 9	1	
B34	54L001-1151-0416	bolt M4 x 16	2	
B35	54L019-0016-0001	rectifier	1	
B36	54L019-0012-0001	relay	1	
B37	54L004-1492-0005	nut M5	1	
B39	54L001-1131-0512	bolt M5 x 12	1	
B40	54L019-0005-0005	cable harness	1	
B41	54L037-0006-0001	isolation plate	1	
B42	54L004-1401-0004	nut M4	4	
B43	54L022-0005-0002	battery holder	1	from series EE 00027
B44	54L003-1702-0064	washer 6,4	5	from series EE 00027
B45	54L004-1665-0006	nut M6	1	from series EE 00027



\*\* Alternative V-belts system



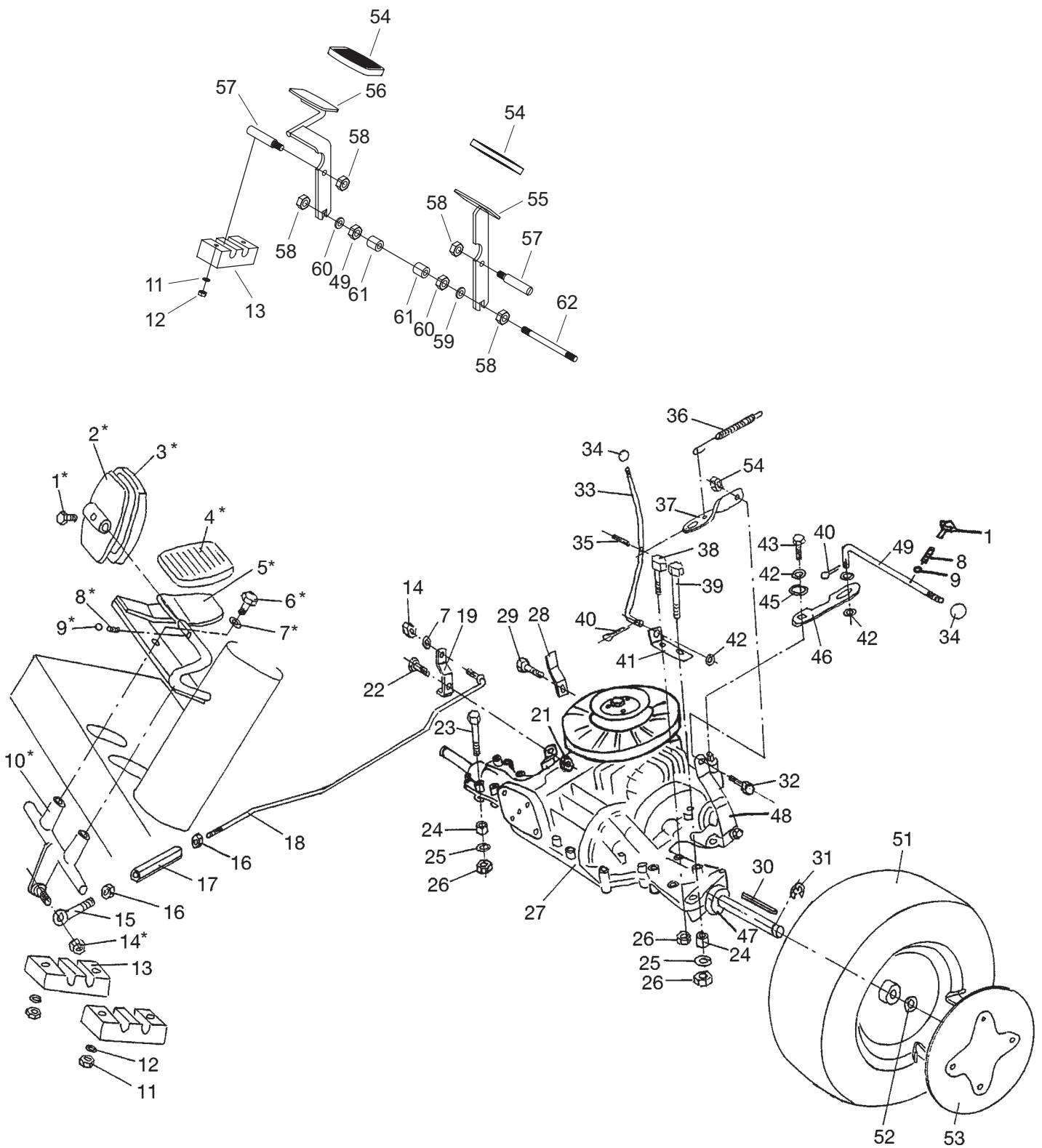
\*Alternative tension rod



DRAWING NR.	PART NR.	DESCRIPTION	QUANT.	NOTICE
C1	54L023-0001-0004	spring	1	to series EE 00009
C2	54L021-0002-0004	arm	1	to series EE 00009
C3	54L035-0000-0005	bearing	2	to series EE 00009
C4	54L027-0002-0008	tension pulley	1	to series EE 00009
C5	54L006-2930-0012	circlip 12	1	to series EE 00009
C6	54L024-0001-0010	V-belt	1	from series EE 00010
C6	54L024-0001-0001	V-belt	1	for Rider 140/85 to series EE 00009
C6	54L024-0001-0008	V-belt	1	for Rider 140/105 to series EE 00009
C7	54L028-0000-0005	belt guide	1	from series EE 00010
C7	54L028-0000-0002	belt guide	1	to series EE 00009
C8	54L003-1702-0084	washer 8,4	2	
C9	54L001-1103-0816	bolt M8 x 16	1	
C10	54L026-0001-0008	counter shaft	1	from series EE 00010
C10	54L026-0001-0007	counter shaft	1	to series EE 00009
C11	54L008-0014-0005	brace	1	from series EE 00014
C11	54L008-0014-0004	brace	1	to series EE 00013
C12	54L001-1101-1080	bolt M10 x 80	1	
C13	54L001-1101-0870	bolt M8 x 70	1	
C14	54L004-1492-0008	nut M8	5	
C15	54L027-0002-0001	tension pulley	1	to series FF 00160 2pc
C16	54L010-0001-0006	bush	1	to series FF 00160
C17	54L025-0000-0007	tensioner	1	to series EE 00013
C17	54L025-0000-0009	tensioner	1	from series EE 00014 to FF 00160
C18	54L027-0002-0009	tension pulley	1	
C20	54L023-0001-0015	spring	1	to series EE 00013 2pc
C21	54L024-0001-0007	V-belt	1	
C22	54L003-1727-0009	washer 9	3	
C23	54L001-1101-0850	bolt M8 x 50	1	to series FF 00160
C24	54L004-1429-0010	nut M10	1	to series EE 00013
C25	54L030-0001-0003	rod	1	to series EE 00013
C26	54L030-0005-0003	tension rod	1	from series EE 00014 to FF 00160
C27	54L027-0002-0007	tension pulley	1	to series EE 00013
C28	54L027-0001-0009	belt pulley	1	from series EE 00010
C28	54L027-0001-0008	belt pulley	1	to series EE 00009
C29	54L006-2930-0012	circlip 12	1	to series EE 00013
C30	54L001-1101-0840	bolt M8 x 40	2	
C31	54L024-0001-0009	V-belt	1	
C32	54L009-0001-0006	spacer	2	
C36	54L025-0000-0008	tensioner	1	
C37	54L001-0001-0007	bolt special	1	
C39	54L003-1702-0084	washer 8,4	2	
C44	54L009-0001-0009	spacer	1	
C45	54L029-0000-0004	key	1	
C46	54L027-0001-0006	belt pulley	1	
C47	54L003-0001-0006	special washer	1	
C47	54L003-0001-0003	special washer 3 mm	1	
C48	54L016-0006-0001	electric clutch	1	
C49	54L004-1492-0008	nut M8	1	
C50	54L001-1187-0835	bolt M8 x 35	1	
C53	54L003-1727-0014	washer 14	1	
C54	54L001-0931-0004	bolt 7/16 x 2 1/2"	1	
C55	54L027-0001-0020	belt pulley	1	from series FF00161
C56	54L001-1101-1090	bolt M10 x 90	1	from series FF 00161
C57	54L003-1702-0105	washer 10,5	3	from series FF 00161
C58	54L004-1492-0010	nut M10	1	from series FF 00161
C59	54L026-0001-0010	counter shaft	1	from series FF 00161
C60	54L020-0007-0001	belt pulley bracket	1	from series FF 00161
C61	54L001-1101-0860	bolt M8 x 60	4	from series FF 00161
C62	54L003-1702-0084	washer 8,4	11	from series FF 00161
C63	54L004-1492-0008	nut M8	6	from series FF 00161
C64	54L020-0001-0045	bracket	1	from series FF 00161
C65	54L030-0001-0008	rod	1	from series FF 00161
C66	54L023-0001-0019	spring	1	from series FF 00161
C67	54L001-0001-0013	bolt special	1	from series FF 00161
C68	54L024-0001-0016	V-belt	1	from series FF 00161
C69	54L024-0001-0017	V-belt	1	from series FF 00161



\* Alternative pedal system

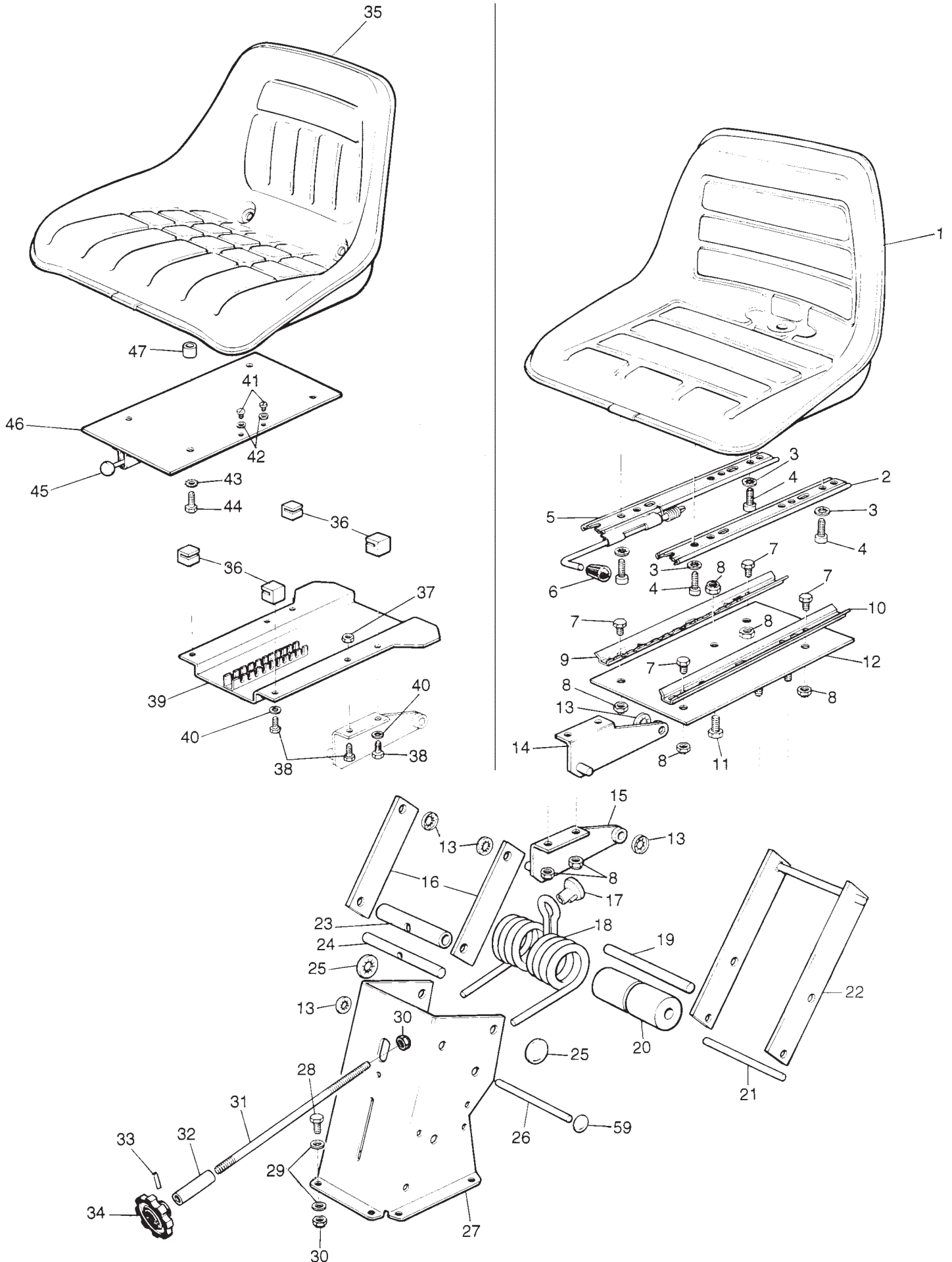


DRAWING NR.	PART NR.	DESCRIPTION	QUANT.	NOTICE
D1-D9	54L046-0007-0001	pedal complete	1	
D54-D62	54L046-0007-0002	pedal complete	1	



DRAWING NR.	PART NR.	DESCRIPTION	QUANT.	NOTICE
D1	54L001-1103-0610	bolt M6 x 10	1	
D2	54L022-0001-0001	forward pedal	1	
D3	54L007-0003-0002	pedal rubber	1	
D4	54L007-0003-0001	pedal rubber	1	
D5	54L022-0002-0001	backward pedal	1	
D6	54L001-1103-0816	bolt M8 x 16	2	
D7	54L003-1702-0084	washer 8,4	1	
D8	54L023-0001-0014	spring	1	
D9	54L008-0008-0001	ball 4 mm	1	
D10	54L034-0002-0004	control lever	1	
D11	54L004-1492-0006	nut M6	4	
D12	54L003-1702-0064	washer 6,4	4	
D13	54L015-0001-0001	bearer	2	
D14	54L004-1492-0008	nut M8	1	
D15	54L001-0253-0840	bolt M8 x 40	1	
D16	54L004-1403-0008	nut M8	2	
D17	54L008-0016-0001	nut	1	
D18	54L030-0009-0006	control rod	1	
D19	54L034-0002-0010	control lever	1	from series EE 00014
D19	54L034-0002-0005	control lever	1	to series EE 00013
D21	54L004-1492-0012	nut M12	1	
D22	54L001-1101-1220	bolt M12 x 20	1	
D23	54L001-1101-8100	bolt M8 x 100	3	
D24	54L009-0001-0013	spacer	4	
D25	54L003-1702-0084	washer 8,4	4	
D26	54L004-1492-0008	nut M8	4	
D27	54L016-0002-0003	hydro gearbox	1	
D28	54L034-0002-0009	control lever	1	from series EE 00014
D28	54L034-0002-0006	control lever	1	to series EE 00013
D29	54L001-1103-1020	bolt M10 x 20	1	
D30	54L029-0000-0005	key	2	
D31	54L006-2929-0015	circlip 15	2	
D32	54L001-1103-0816	bolt M8 x 16	1	
D33	54L030-0003-0003	brake rod	1	from series EE 00014
D33	54L030-0003-0002	brake rod	1	to series EE 00013
D34	54L015-0003-0002	ballgrip	2	
D35	54L011-2156-0316	locating pin 3 x 16	2	
D36	54L023-0001-0005	spring	1	
D37	54L021-0002-0005	arm	1	
D38	54L001-1101-0860	bolt M8 x 60	1	
D39	54L001-1101-8110	bolt M8 x 110	1	
D40	54L011-1781-0325	split pin 3 x 25	2	
D41	54L034-0002-0007	control lever	1	
D42	54L003-1702-0084	washer 8,4	4	
D43	54L001-0931-0003	bolt 1/4 x 3/4"	1	
D45	54L007-0008-0001	rubber ring	1	
D46	54L021-0002-0006	arm	1	to series FF 00160
D46	54L021-0002-0012	arm	1	from series FF 00161
D47	54L010-0001-0007	bush	2	
D48	54L034-0002-0011	control lever	1	from series EE 00014
D48	54L034-0002-0008	control lever	1	to series EE 00013
D49	54L030-0001-0004	rod	1	to series FF 00160
D49	54L030-0001-0007	rod	1	from series FF 00161
D51	54L039-0000-0003	wheel	2	
D52	54L003-0000-0010	washer 1 mm		what is needed
D52	54L003-0000-0020	washer 2 mm		what is needed
D52	54L003-0000-0005	washer 0,5 mm		what is needed
D53	54L014-0005-0006	wheel cover	2	option
D54	54L007-0003-0001	pedal rubber	2	
D55	54L022-0001-0002	forward pedal	1	
D56	54L022-0002-0002	backward pedal	1	
D57	54L008-0002-0003	pillar	2	
D58	54L004-1492-0008	nut M8	4	
D59	54L003-1702-0084	washer 8,4	2	
D60	54L004-1401-0008	nut M8	2	
D61	54L010-0001-0010	bush	2	
D62	54L030-0001-0005	rod	1	

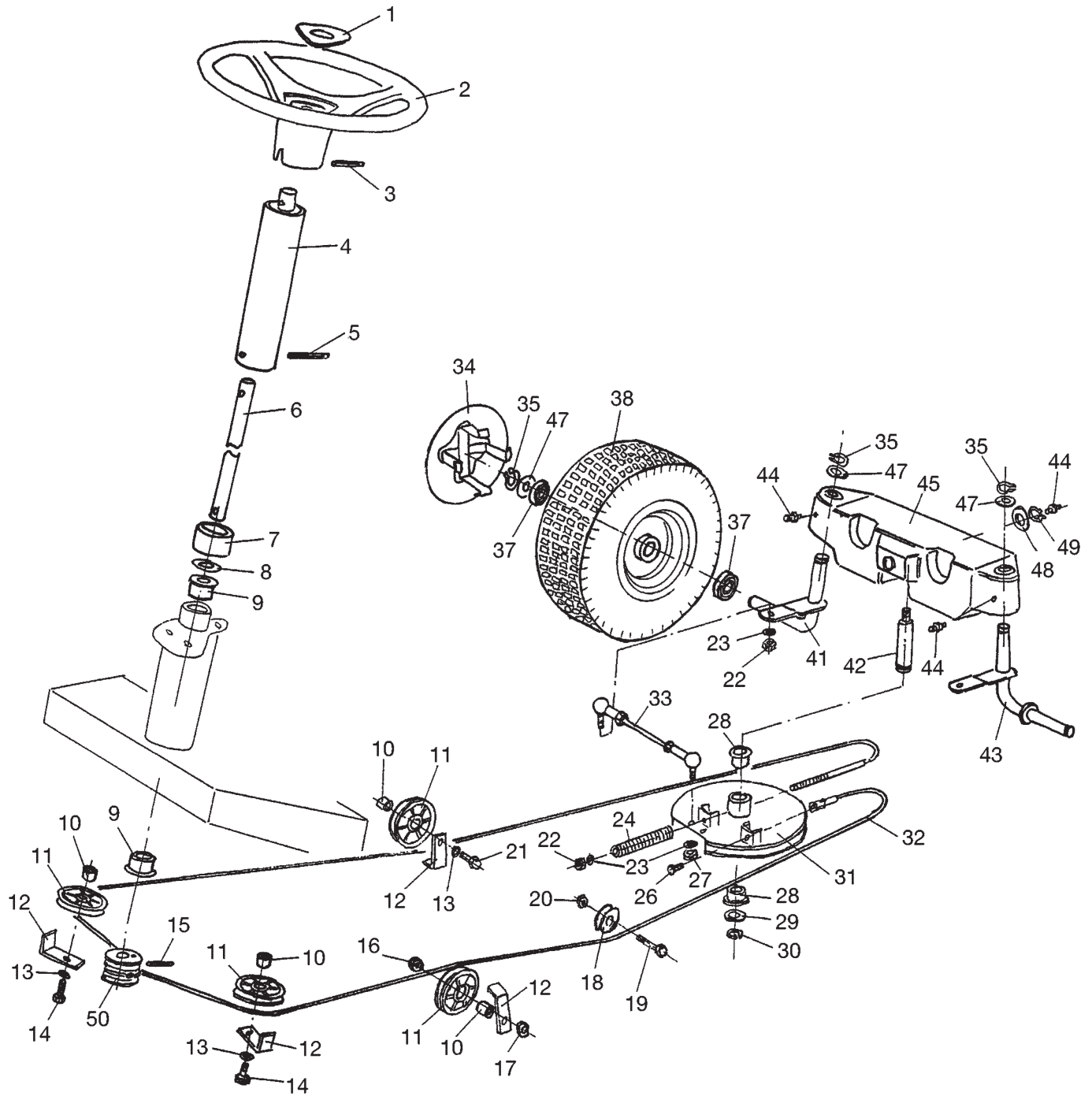






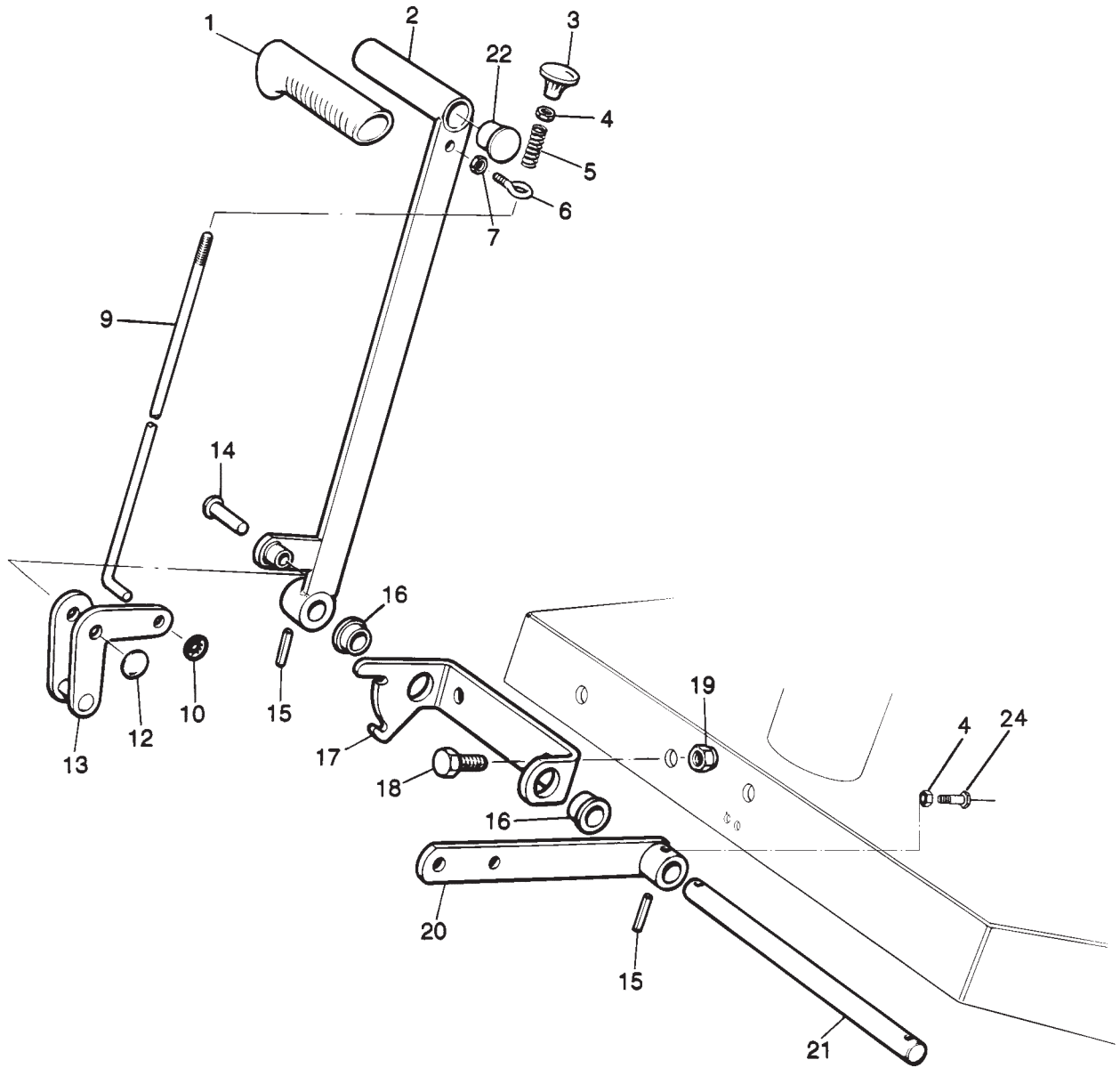


DRAWING NR.	PART NR.	DESCRIPTION	QUANT.	NOTICE
E1	54L040-0001-0002	seat 2	1	
E1	54L040-0001-0005	seat 2	1	with Klippo logo
E2	54L040-0002-0001	slide left top	1	
E3	54L003-1745-0084	washer 8,4	4	
E4	54L001-1143-0825	bolt M8 x 25	4	
E5	54L040-0002-0002	slide right top	1	
E6	54L015-0002-0002	knob	1	
E7	54L001-1103-0816	bolt M8 x 16	4	
E8	54L004-1492-0008	nut M8	9	
E9	54L040-0003-0002	slide right below	1	
E10	54L040-0003-0001	slide left below	1	
E11	54L001-1103-0820	bolt M8 x 20	1	
E12	54L038-0001-0005	seat adjustment	1	
E13	54L005-0000-0002	push-on fastener	4	
E14	54L020-0003-0002	seat support bracket right	1	
E15	54L020-0003-0001	seat support bracket left	1	
E16	54L037-0007-0001	pivot plate	2	
E17	54L008-0004-0001	spring nut	1	
E18	54L023-0002-0001	seat spring	1	
E19	54L030-0001-0002	rod	1	
E20	54L015-0008-0001	spring pivot pin	2	
E21	54L030-0004-0001	seat rod	1	
E22	54L021-0003-0001	spring shackle	1	
E23	54L031-0000-0001	tube	1	
E24	54L032-0001-0001	shaft	1	
E25	54L005-0000-0003	push-on fastener	2	
E26	54L032-0001-0002	shaft	1	
E27	54L020-0004-0003	seat bracket	1	to series EE 00033
E27	54L020-0004-0004	seat bracket	1	from series EE 00034
E28	54L001-1101-0835	bolt M8 x 35	4	
E29	54L003-1702-0084	washer 8,4	8	
E30	54L004-1492-0008	nut M8	5	
E31	54L030-0005-0001	tension rod	1	to series EE 00033
E31	54L030-0005-0003	tension rod	1	from series EE 00034
E32	54L031-0000-0002	tube	1	to series EE 00033
E32	54L031-0000-0003	tube	1	from series EE 00034
E33	54L011-2150-0325	locating pin 3 x 25	1	
E34	54L015-0002-0003	knob	1	
E35	54L040-0001-0001	seat 1	1	
E36	54L008-0003-0001	guide	4	
E37	54L004-1401-0008	nut M8	2	
E38	54L001-1103-0812	bolt M8 x 12	6	
E39	54L038-0002-0001	seat support	1	
E40	54L003-1702-0084	washer 8,4	4	
E41	54L001-1131-0058	bolt M5 x 8	4	
E42	54L003-1740-0051	washer 5,1	4	
E43	54L003-1745-0084	washer 8,4	4	
E44	54L001-1103-0820	bolt M8 x 20	4	
E45	54L015-0003-0001	ballgrip	1	
E46	54L038-0001-0002	seat adjustment	1	
E59	54L005-0000-0004	push-on fastener	2	





DRAWING NR.	PART NR.	DESCRIPTION	QUANT.	NOTICE
G1	54L042-0002-0001	steering column cover	1	black
G1	54L042-0002-0005	steering column cover	1	red
G1	54L042-0002-0004	steering column cover	1	Klippo
G2	54L042-0003-0001	steering wheel	1	black
G2	54L042-0003-0004	steering wheel	1	red
G3	54L011-2156-0626	roll pin 6 x 26	1	
G4	54L042-0004-0001	steering column	1	
G5	54L011-2156-0645	roll pin 6 x 45	1	
G6	54L032-0004-0002	steering column shaft	1	identical with 54L042-0004-0001
G7	54L010-0002-0001	bush	1	
G8	54L003-0003-0008	thrust washer 0,8 mm		what is needed
G8	54L003-0003-0015	thrust washer 1,5 mm		what is needed
G9	54L010-0002-0002	bush	2	
G10	54L010-0001-0003	bush	4	to series EE 00013
G11	54L015-0009-0001	cable idler wheel	4	to series EE 00013
G12	54L020-0005-0002	idler wheel bracket	4	to series EE 00013
G13	54L003-1702-0105	washer 10,5	3	to series EE 00013
G14	54L001-1101-1030	bolt M10 x 30	2	to series EE 00013
G15	54L011-2156-0636	roll pin 6 x 36	1	
G16	54L004-1429-0010	nut M10	1	to series EE 00013
G17	54L004-1403-0010	nut M10	1	to series EE 00013
G18	54L015-0009-0002	cable idler wheel	1	to series EE 00013
G19	54L001-1131-0525	bolt M5 x 25	1	to series EE 00013
G20	54L003-1492-0005	nut M5	1	to series EE 00013
G21	54L001-1101-1040	bolt M10 x 40	1	to series EE 00013
G22	54L004-1492-0008	nut M8	4	
G23	54L003-1702-0084	washer 8,4	5	
G24	54L023-0001-0008	spring	1	
G26	54L001-1103-0816	bolt M8 x 16	1	
G27	54L004-1492-0008	nut M8	1	
G28	54L010-0002-0003	bush	2	
G29	54L003-0000-0015	washer 1,5 mm	1	
G30	54L006-2930-0020	circlip 20	1	
G31	54L042-0001-0002	steering pulley	1	
G32	54L041-0002-0003	steering cable	1	from series EE 00014
G32	54L041-0002-0002	steering cable	1	to series EE 00013
G33	54L030-0007-0001	tie rod	2	
G34	54L014-0005-0005	wheel cover small	2	option
G35	54L006-2930-0025	circlip 25	4	
G37	54L035-0000-0006	bearing	4	
G38	54L039-0000-0004	wheel	2	
G41	54L043-0001-0005	axle right	1	from series DD
G41	54L043-0001-0003	axle right	1	to series CC
G42	54L043-0002-0001	axle pin	1	
G43	54L043-0001-0006	axle left	1	from series DD
G43	54L043-0001-0004	axle left	1	to series CC
G44	54L012-7421-0006	grease nipple KM6	3	
G45	54L036-0001-0002	rear axle body	1	
G47	54L003-0001-0003	special washer 3 mm		what is needed
G47	54L003-0001-0004	special washer 2 mm		what is needed
G47	54L003-0001-0005	special washer 1 mm		what is needed
G47	54L003-0001-0012	special washer 0,5 mm		what is needed
G48	54L003-1702-0021	washer 21	1	
G49	54L006-2930-0020	circlip 20	1	
G50	54L042-0001-0001	steering pulley	1	





DRAWING NR.	PART NR.	DESCRIPTION	QUANT.	NOTICE
H1	54L015-0004-0003	handle	1	
H2	54L034-0005-0001	lift lever	1	
H3	54L015-0002-0005	knob	1	
H4	54L004-1401-0006	nut M6	2	
H5	54L023-0001-0009	spring	1	
H6	54L002-1006-0515	eyescrew M5 x 15	1	
H7	54L004-1403-0005	nut M5	1	
H9	54L030-0008-0001	push rod	1	
H10	54L005-0000-0001	push-on fastener	1	
H12	54L005-0000-0005	push-on fastener	1	
H13	54L020-0001-0003	bracket	1	
H14	54L011-0660-0830	pin 8 x 30	1	
H15	54L011-2156-0830	roll pin 8 x 30	2	
H16	54L010-0002-0004	bush	2	
H17	54L020-0001-0004	bracket	1	
H18	54L001-1103-1020	bolt M10 x 20	2	
H19	54L004-1492-0010	nut M10	2	
H20	54L021-0002-0002	lift arm	1	to series EE
H20	54L021-0002-0009	lift arm	1	from series FF
H21	54L032-0003-0001	lift shaft	1	
H22	54L015-0002-0006	knob	1	
H23	54L001-1103-0620	bolt M6 x 20	1	
H1-H22	54L046-0002-0001	handle complete	1	to series EE
H1-H22	54L046-0002-0003	handle complete	1	from series FF



**NOTICE**

A large area of horizontal grey lines for writing, starting below the 'NOTICE' header and extending to the bottom of the page.

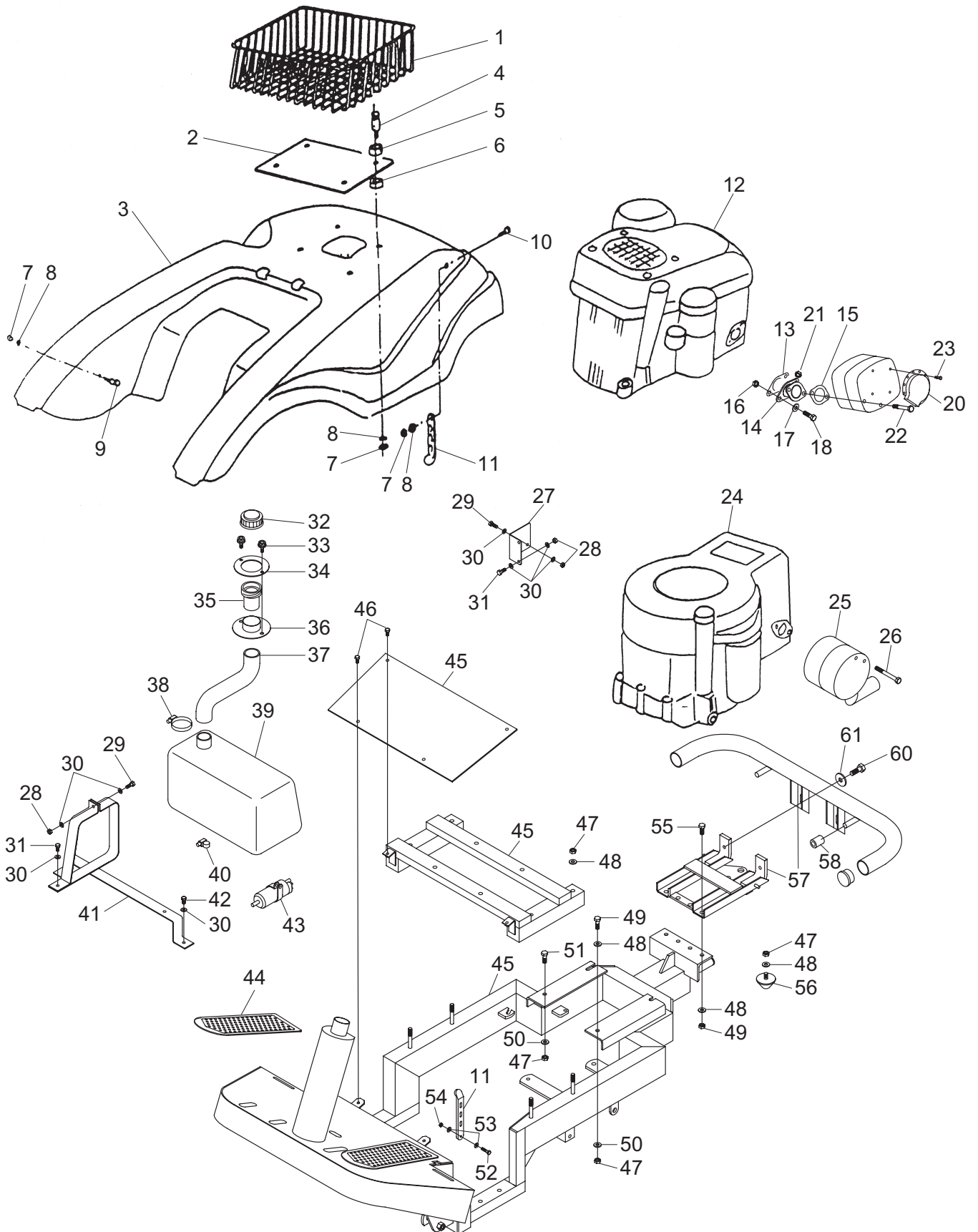


**RIDER 140**

**from series FF**

**the spare parts**

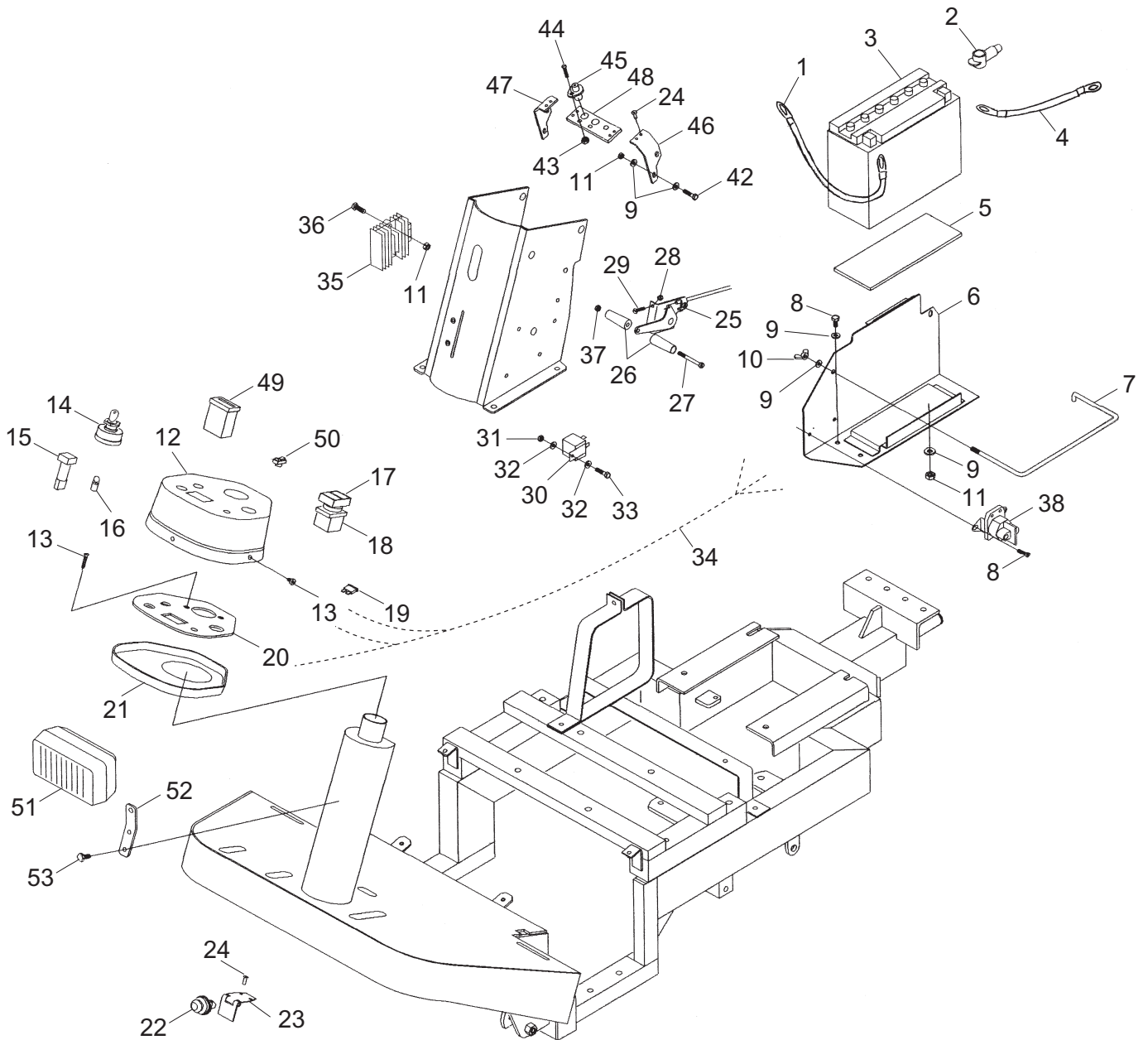








DRAWING NR.	PART NR.	DESCRIPTION	QUANT.	NOTICE
A1	54L013-0002-0001	tool basket	1	
A2	54L037-0001-0001	plate	1	
A3	54L014-0002-0012	cover	1	
A4	54L008-0002-0002	pillar	4	
A5	54L009-0002-0001	spacer	4	
A6	54L009-0002-0006	spacer	4	
A7	54L004-1492-0005	nut M5	8	
A8	54L003-1726-0053	washer 5,3	8	
A9	54L008-0001-0001	spigot	2	
A10	54L001-0073-0516	bolt M5 x 16	2	
A11	54L007-0001-0002	rubber toggle fastener	4	
A12	54L016-0001-0005	engine	1	Honda GXV 390 - 13HP
A13	54L018-0002-0002	gasket	1	for Honda engine
A14	54L018-0004-0004	exhaust pipe	1	for Honda engine
A15	54L018-0002-0001	gasket	1	for Honda engine
A16	54L004-1492-0008	nut M8	2	for Honda engine
A17	54L003-1702-0084	washer 8,4	2	for Honda engine
A18	54L001-1103-0820	bolt M8 x 20	2	for Honda engine
A19	54L018-0001-0003	exhaust	1	for Honda engine
A20	54L018-0003-0001	deflector	1	for Honda engine
A21	54L004-0140-0516	nut 5/16"	2	for Honda engine
A22	54L001-0001-0009	bolt special	2	for Honda engine
A23	54L002-7981-4295	screw 4,2 x 9,5	3	for Honda engine
A24	54L016-0001-0006	engine	1	B&S I/C - 15,5HP
A25	54L018-0001-0005	exhaust	1	for Briggs engine
A26	54L001-0001-0009	bolt special	2	for Briggs engine
A27	54L021-0000-0002	bracket	1	for Briggs engine
A28	54L004-1492-0006	nut M6	5	
A29	54L001-1103-0620	bolt M6 x 20	3	
A30	54L003-1702-0064	washer 6,4	12	
A31	54L001-1103-0614	bolt M6 x 14	3	
A32	54L016-0007-0001	cap	1	
A33	54L001-0001-0008	bolt special	2	
A34	54L037-0001-0006	plate	1	
A35	54L015-0016-0001	throat	1	
A36	54L037-0001-0005	plate	1	
A37	54L007-0009-0001	rubber tube	1	
A38	54L008-0019-0002	band	1	
A39	54L015-0017-0001	tank	1	
A40	54L008-0019-0001	band	2	
A41	54L021-0008-0001	tank holder	1	
A42	54L001-1103-0640	bolt M6 x 40	1	
A43	54L019-0017-0001	petrol pump	1	for Honda engine
A44	54L014-0003-0001	floor mat	2	
A45	54L017-0002-0008	chassis	1	
A46	54L001-0102-0612	bolt M6 x 12	4	
A47	54L004-1492-0008	nut M8	12	
A48	54L003-1702-0084	washer 8,4	9	
A49	54L001-1101-0850	bolt M8 x 50	1	
A50	54L003-1727-0009	washer 9	4	
A51	54L001-1101-0840	bolt M8 x 40	3	
A52	54L001-0084-0520	bolt M5 x 20	2	
A53	54L003-1726-0053	washer 5,3	4	
A54	54L004-1492-0005	nut M5	2	
A55	54L001-1103-0820	bolt M8 x 20	2	
A56	54L007-0007-0001	rubber in pact	2	
A57	54L017-0001-0002	bumper	1	
A58	54L007-0002-0001	rubber bush	2	
A59	54L015-0014-0001	end plug	2	
A60	54L001-1103-1020	bolt M10 x 20	2	
A61	54L003-1702-0105	washer 10,5	2	
A1-A11	54L046-0006-0004	engine cover complete	1	

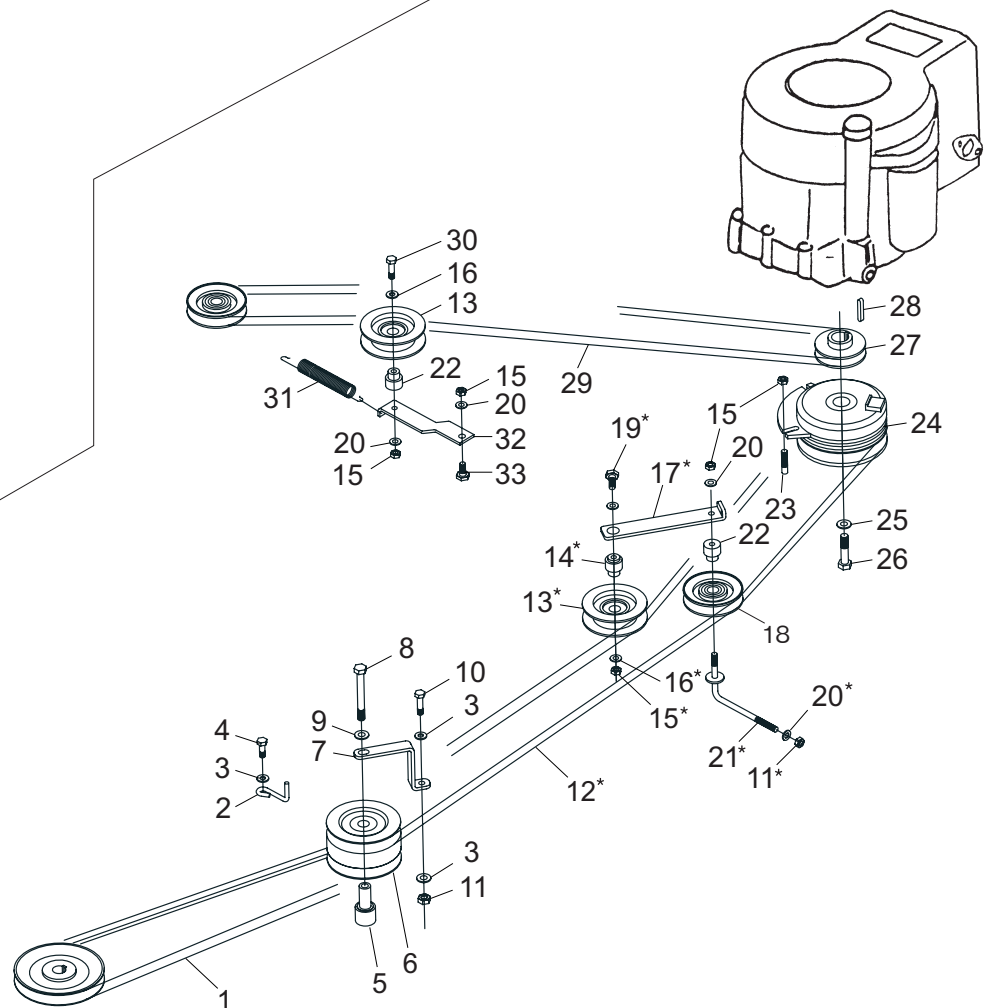
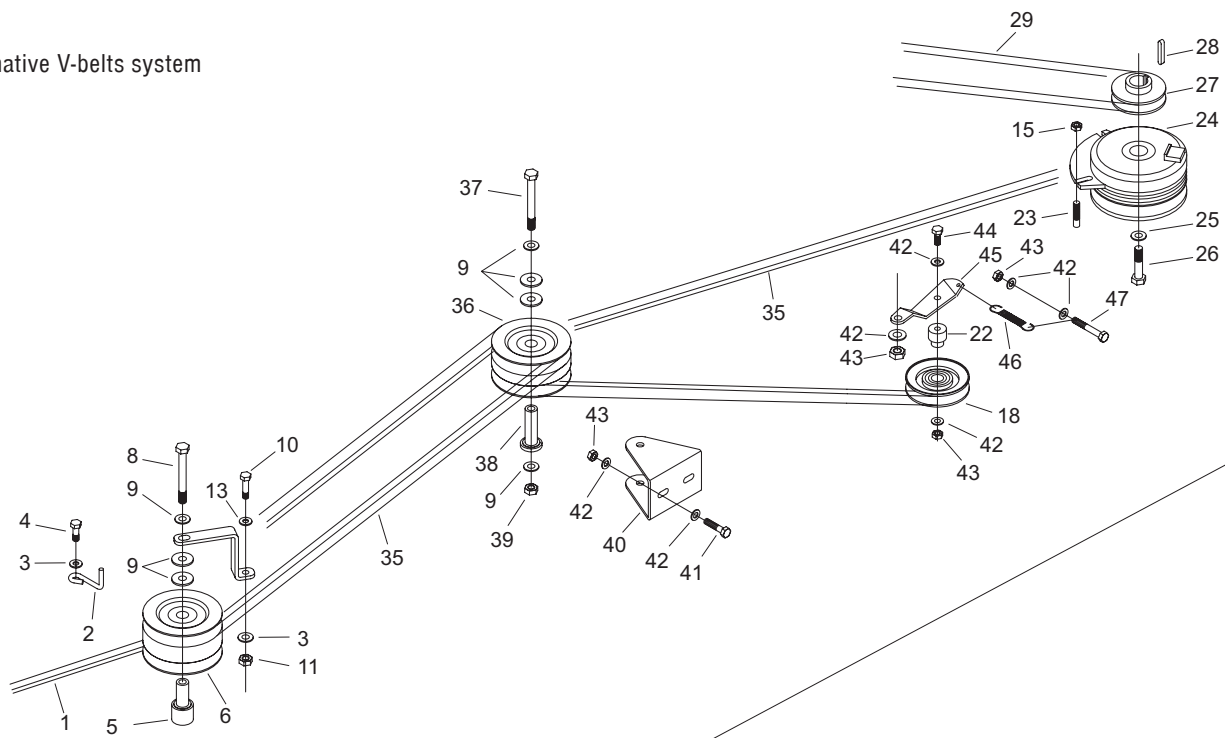




DRAWING NR.	PART NR.	DESCRIPTION	QUANT.	NOTICE
B1	54L019-0002-0001	battery cable (+)	1	
B2	54L015-0005-0001	guard cap	2	
B3	54L019-0001-0001	battery	1	
B4	54L019-0002-0002	battery cable (-)	1	
B5	54L007-0005-0001	battery pad	1	
B6	54L021-0001-0004	battery shelf	1	
B7	54L022-0005-0003	battery holder	1	
B8	54L001-1103-0614	bolt M6 x 14	4	
B9	54L003-1702-0064	washer 6,4	8	
B10	54L004-1665-0006	nut M6	1	
B11	54L004-1492-0006	nut M6	4	
B12	54L014-0006-0003	instrument panel	1	
B13	54L002-7981-4895	screw 4,8 x 9,5	6	
B14	54L019-0006-0001	starting switch	1	
B15	54L019-0015-0001	indicator	1	
B16	54L019-0014-0001	bulb	1	
B17	54L019-0010-0002	blade button	1	
B18	54L019-0011-0002	blade switch	1	
B19	54L019-0009-0002	fuse 7A	1	
B20	54L037-0001-0004	plate	1	
B21	54L014-0006-0004	instrument panel cover	1	
B22	54L019-0013-0001	switch complete	1	
B23	54L008-0017-0002	hinge	1	
B24	54L011-0022-3913	pin 4 x 12	6	
B25	54L008-0005-0001	choke control	1	
B26	54L015-0004-0002	handle	2	
B27	54L001-1131-0550	bolt M5 x 50	1	
B28	54L004-1492-0004	nut M4	2	
B29	54L001-1151-0416	bolt M4 x 16	2	
B30	54L019-0012-0001	relay	1	
B31	54L004-1492-0005	nut M5	1	
B32	54L003-1726-0053	washer 5,3	2	
B33	54L001-1131-0512	bolt M5 x 12	1	
B34	54L019-0005-0006	cable harness	1	
B35	54L019-0016-0001	rectifier	1	for Honda engine
B36	54L001-1103-0620	bolt M6 x 20	1	
B37	54L004-0546-0005	nut M5	1	
B38	54L019-0007-0001	starting relay	1	for Briggs engine
B42	54L001-1103-0614	bolt M6 x 14	4	
B43	54L004-1401-0004	nut M4	4	
B44	54L001-1151-0416	bolt M4 x 16	2	
B45	54L019-0003-0001	switch	2	
B46	54L020-0001-0010	bracket left	1	
B47	54L020-0001-0011	bracket right	1	
B48	54L037-0006-0002	isolation plate	1	
B49	54L019-0008-0001	hour meter	1	option
B50	54L019-0003-0002	light switch	1	option
B51	54L019-0019-0001	light	1	option
B52	54L021-0006-0001	light holder	1	option
B53	54L001-1103-0614	bolt M6 x 14	2	option

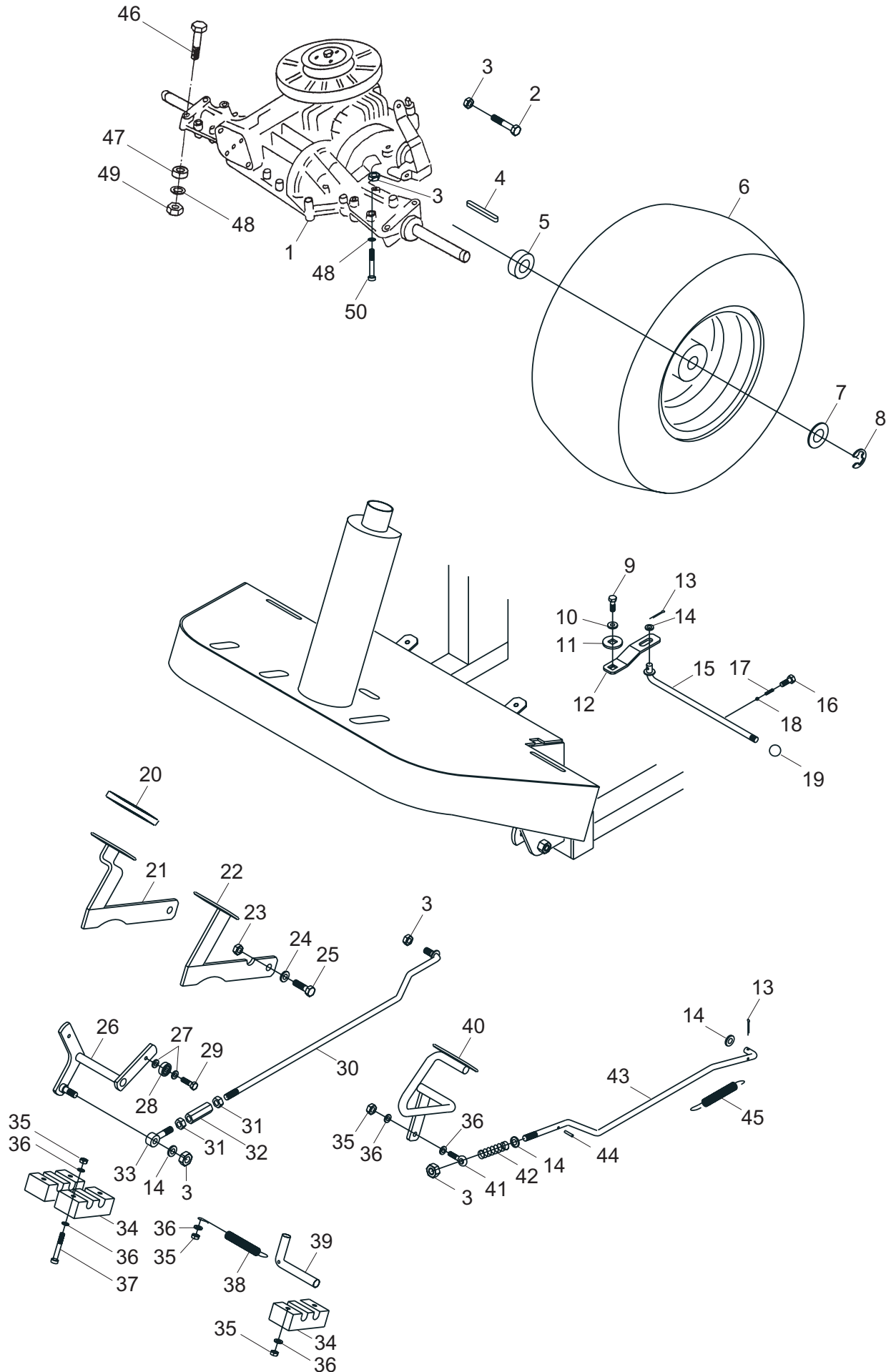


\* Alternative V-belts system



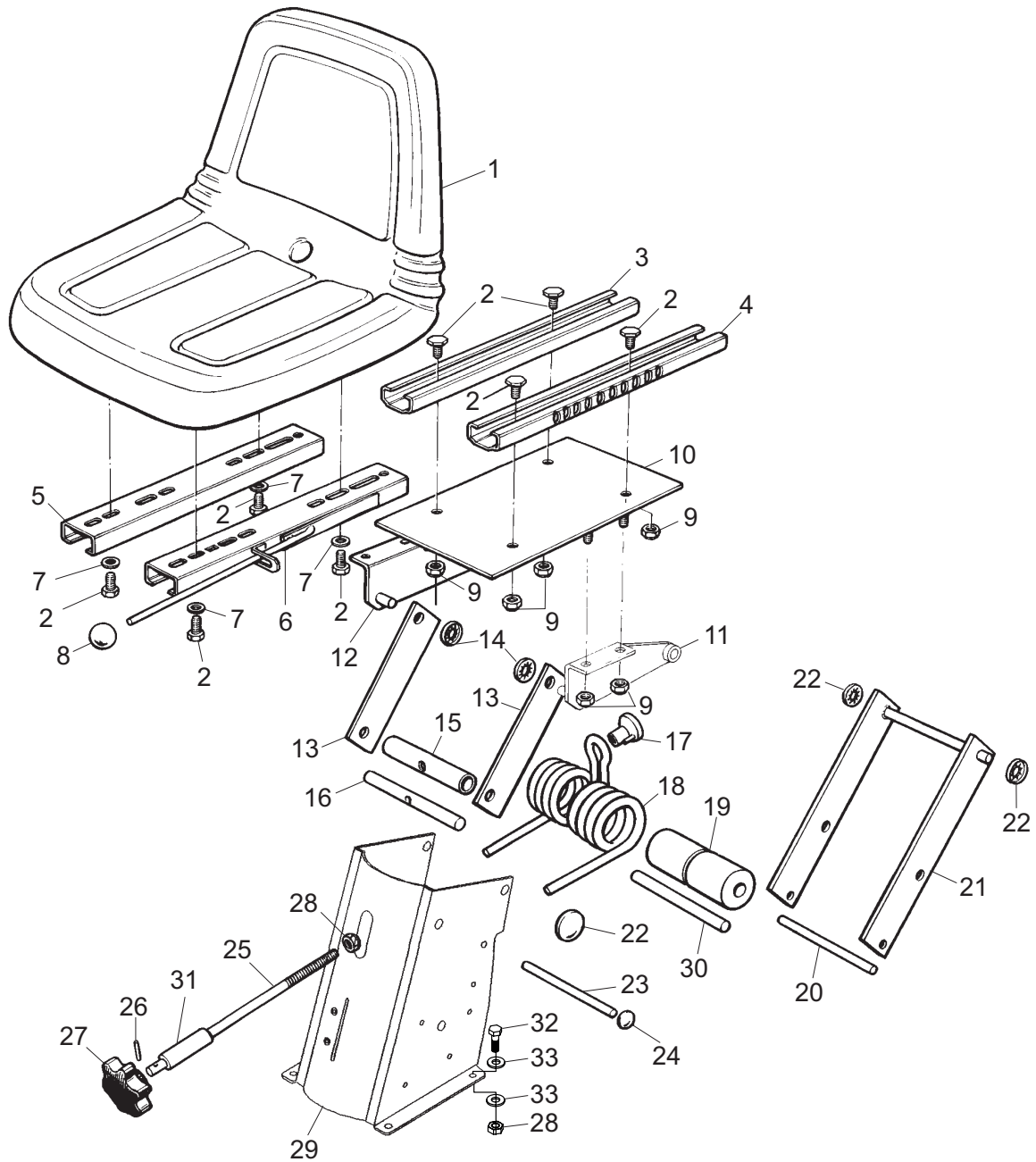


DRAWING NR.	PART NR.	DESCRIPTION	QUANT.	NOTICE
C1	54L024-0001-0010	V-belt	1	
C2	54L028-0000-0005	belt guide	1	
C3	54L003-1702-0084	washer 8,4	3	
C4	54L001-1103-0816	bolt M8 x 16	1	
C5	54L026-0001-0008	counter shaft	1	
C6	54L027-0001-0009	belt pulley	1	
C7	54L008-0014-0006	brace	1	
C8	54L001-1101-1080	bolt M10 x 80	1	
C9	54L003-1702-0105	washer 10,5	3	
C10	54L001-1101-0870	bolt M8 x 70	1	
C11	54L004-1492-0008	nut M8	1	
C12	54L024-0001-0015	V-belt	1	to series FF
C13	54L027-0002-0001	tension pulley	1	to series FF 2pc
C14	54L010-0001-0006	bush	1	to series FF
C15	54L004-1492-0008	nut M8	6	
C16	54L003-1727-0009	washer 9	2	
C17	54L025-0000-0012	tensioner	1	
C18	54L027-0002-0009	tension pulley	1	
C19	54L001-1101-0850	bolt M8 x 50	1	to series FF
C20	54L003-1702-0084	washer 8,4	4	
C21	54L030-0005-0005	tension rod	1	to series FF
C22	54L009-0001-0028	spacer	2	
C23	54L001-1187-0835	bolt M8 x 35	1	
C24	54L016-0006-0001	electric clutch	1	
C25	54L003-1727-0014	washer 14	1	
C26	54L001-0931-0004	bolt 7/16 x 2 1/2"	1	
C27	54L027-0001-0018	belt pulley	1	
C28	54L029-0000-0006	key	1	
C29	54L024-0001-0013	V-belt	1	
C30	54L001-1101-0850	bolt M8 x 50	1	
C31	54L023-0001-0015	spring	1	
C32	54L025-0000-0010	tensioner	1	
C33	54L001-0001-0012	bolt special	1	
C35	54L024-0001-0018	V-belt	2	from series GG
C36	54L027-0001-0013	belt pulley	1	from series GG
C37	54L001-1101-1010	bolt M10 x 100	1	from series GG
C38	54L026-0001-0011	counter shaft	1	from series GG
C39	54L004-1492-0010	nut M10	1	from series GG
C40	54L020-0007-0002	belt pulley bracket	1	from series GG
C41	54L001-1101-0860	bolt M8 x 60	2	from series GG
C42	54L003-1702-0084	washer 8,4	9	from series GG
C43	54L004-1492-0008	nut M8	5	from series GG
C44	54L001-1101-0840	bolt M8 x 40	1	from series GG
C45	54L030-0001-0008	rod	1	from series GG
C46	54L023-0001-0019	spring	1	from series GG
C47	54L001-0001-0013	bolt special	1	from series GG





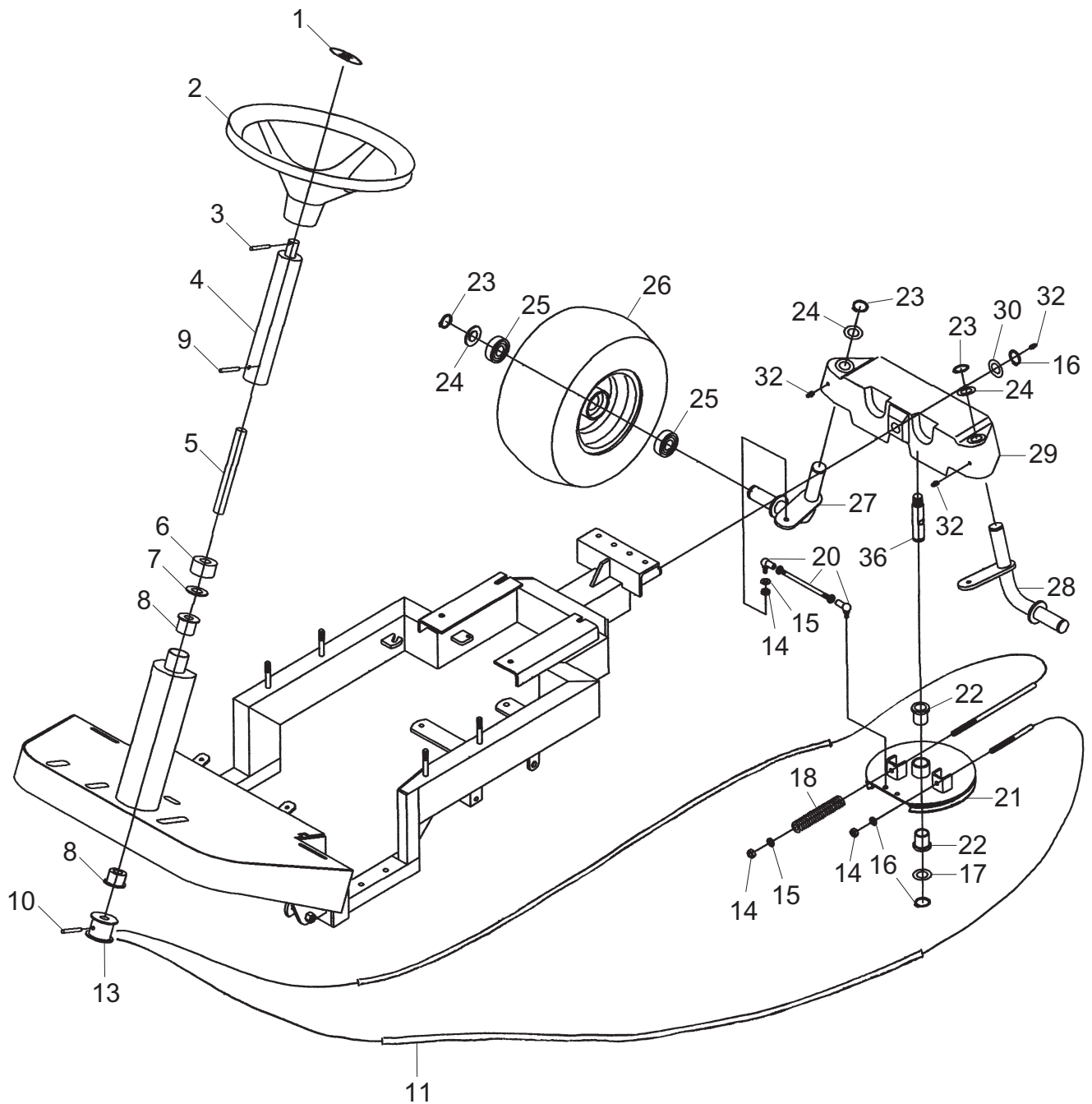
DRAWING NR.	PART NR.	DESCRIPTION	QUANT.	NOTICE
D1	54L016-0002-0004	hydro gearbox	1	Tecumseh LTH PGM 2000
D2	54L001-1101-0840	bolt M8 x 40	3	
D3	54L004-1492-0008	nut M8	5	
D4	54L029-0000-0005	key	2	
D5	54L010-0001-0007	bush	2	
D6	54L039-0000-0003	wheel	2	
D7	54L003-0000-0010	washer 1 mm		what is needed
D7	54L003-0000-0020	washer 2 mm		what is needed
D7	54L003-0000-0005	washer 0,5 mm		what is needed
D8	54L006-2929-0015	circlip 15	2	
D9	54L001-0931-0003	bolt 1/4 x 3/4"	1	
D10	54L003-1726-0053	washer 5,3	1	
D11	54L003-1728-0011	washer 11	1	
D12	54L021-0002-0011	arm	1	to series FF
D12	54L021-0002-0013	arm	1	from series GG
D13	54L011-1781-0325	split pin 3 x 25	2	
D14	54L003-1702-0084	washer 8,4	4	
D15	54L030-0001-0006	rod	1	
D16	54L001-1103-0614	bolt M6 x 14	1	
D17	54L023-0001-0014	spring	1	
D18	54L008-0008-0001	ball 4mm	1	
D19	54L015-0003-0002	ballgrip	1	
D20	54L007-0003-0001	pedal rubber	3	
D21	54L022-0002-0003	backward pedal	1	
D22	54L022-0001-0003	forward pedal	1	
D23	54L004-1492-0010	nut M10	1	
D24	54L003-1702-0105	washer 10,5	1	
D25	54L001-1101-1030	bolt M10 x 30	1	
D26	54L021-0002-0010	arm	1	for Rider 140/85
D26	54L021-0002-0014	arm	1	for Rider 140/105
D27	54L003-1702-0064	washer 6,4	2	
D28	54L035-0000-0009	bearing	2	
D29	54L001-1103-0614	bolt M6 x 14	2	
D30	54L030-0002-0002	clutch rod	1	for Rider 140/85
D30	54L030-0002-0003	clutch rod	1	for Rider 140/105
D31	54L004-1403-0008	nut M8	2	
D32	54L008-0016-0001	nut	1	
D33	54L001-0253-0840	bolt M8 x 40	1	
D34	54L015-0001-0001	bearer	3	
D35	54L004-1492-0006	nut M6	8	
D36	54L003-1702-0064	washer 6,4	13	
D37	54L001-1131-0640	bolt M6 x 40	4	
D38	54L023-0001-0005	spring	1	
D39	54L034-0001-0001	lever	1	
D40	54L022-0004-0002	brake pedal	1	
D41	54L002-1006-0620	eyescrew M6 x 20	1	
D42	54L023-0001-0003	spring	1	
D43	54L030-0003-0004	brake rod	1	
D44	54L011-2156-0316	locating pin 3 x 16	1	
D45	54L023-0001-0018	spring	1	
D46	54L001-1101-8100	bolt M8 x 100	4	
D47	54L009-0001-0027	spacer	4	
D48	54L003-1702-0084	washer 8,4	4	
D49	54L004-1492-0008	nut M8	3	
D50	54L001-1101-0835	bolt M8 x 35	1	





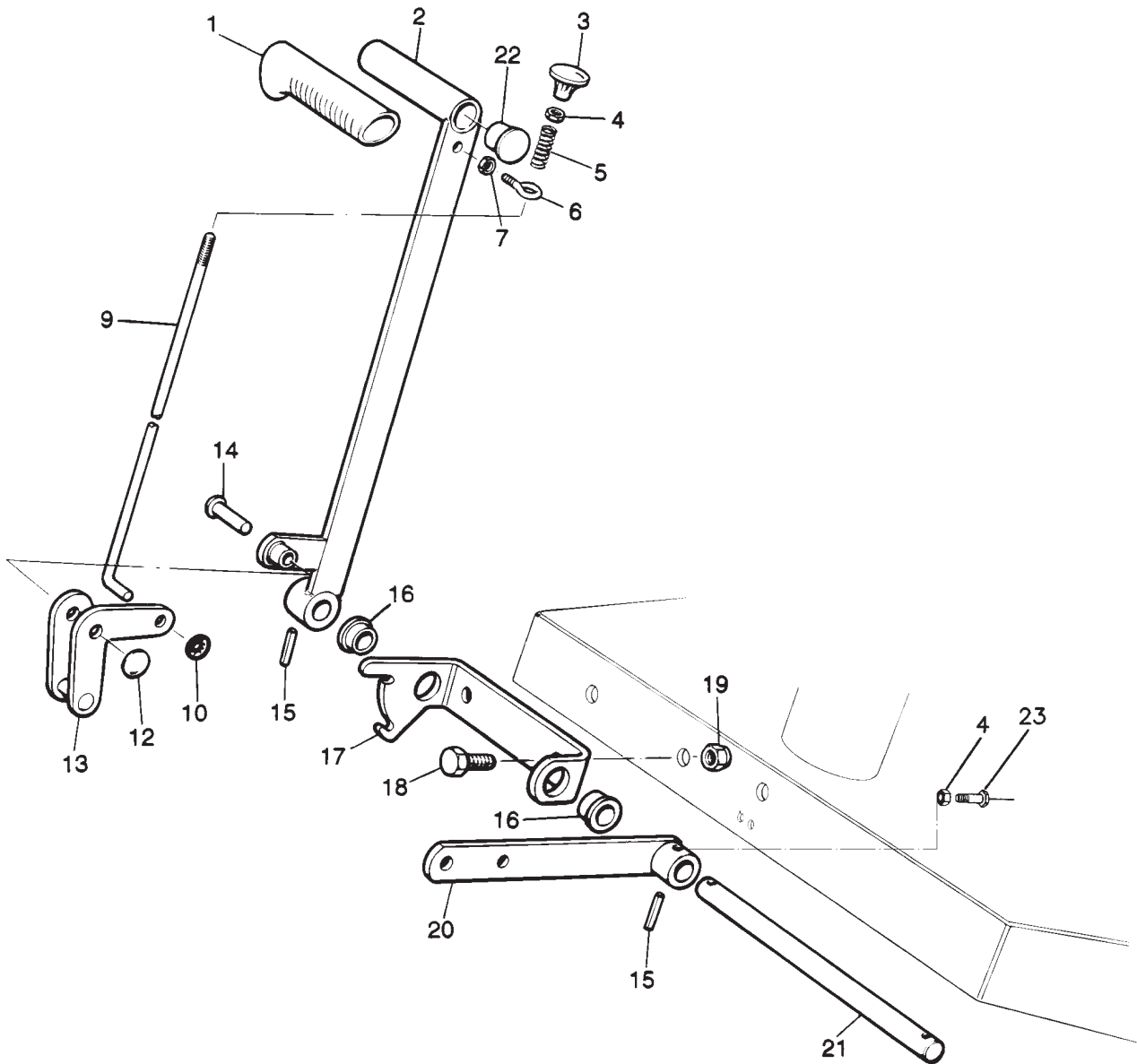


DRAWING NR.	PART NR.	DESCRIPTION	QUANT.	NOTICE
E1	54L040-0001-0002	seat 2	1	
E1	54L040-0001-0003	seat 3	1	
E2	54L001-1103-0816	bolt M8 x 16	8	
E3	54L040-0003-0004	slide right below	1	
E4	54L040-0003-0003	slide left below	1	
E5	54L040-0002-0004	slide right top	1	
E6	54L040-0002-0003	slide left top	1	
E7	54L003-1702-0084	washer 8,4	4	
E8	54L015-0002-0004	knob	1	
E9	54L004-1492-0008	nut M8	8	
E10	54L038-0001-0003	seat adjustment	1	
E11	54L020-0003-0001	seat support bracket left	1	
E12	54L020-0003-0002	seat support bracket right	1	
E13	54L037-0007-0001	pivot plate	2	
E14	54L005-0000-0002	push-on fastener	2	
E15	54L031-0000-0001	tube	1	
E16	54L032-0001-0001	shaft	1	
E17	54L008-0004-0001	spring nut	1	
E18	54L023-0002-0001	seat spring	1	
E19	54L015-0008-0001	spring pivot pin	2	
E20	54L030-0004-0001	seat rod	1	
E21	54L021-0003-0001	spring shackle	1	
E22	54L005-0000-0003	push-on fastener	4	
E23	54L032-0001-0002	shaft	1	
E24	54L005-0000-0004	push-on fastener	2	
E25	54L030-0005-0002	tension rod	1	
E26	54L011-2150-0325	locating pin 3 x 25	1	
E27	54L015-0002-0003	knob	1	
E28	54L004-1492-0008	nut M8	5	
E29	54L020-0004-0004	seat bracket	1	
E30	54L030-0001-0002	rod	1	
E31	54L031-0000-0003	tube	1	
E32	54L001-1101-0835	bolt M8 x 35	4	
E33	54L003-1702-0084	washer 8,4	8	





DRAWING NR.	PART NR.	DESCRIPTION	QUANT.	NOTICE
G1	54L044-0007-0002	sticker steering wheel	1	
G2	54L042-0003-0001	steering wheel	1	
G3	54L011-2156-0626	roll pin 6 x 26	1	
G4	54L042-0004-0001	steering column	1	
G5	54L032-0004-0002	steering column shaft	1	
G6	54L010-0002-0001	bush	1	
G7	54L003-0003-0008	thrust washer 0,8 mm		what is needed
G7	54L003-0003-0015	thrust washer 1,5 mm		what is needed
G8	54L010-0002-0002	bush	2	
G9	54L011-2156-0645	roll pin 6 x 45	1	
G10	54L011-2156-0636	roll pin 6 x 36	1	
G11	54L041-0002-0004	steering cable	1	
G13	54L042-0001-0003	steering pulley	1	
G14	54L004-1492-0008	nut M8	4	
G15	54L003-1702-0084	washer 8,4	4	
G16	54L006-2930-0020	circlip 20	2	
G17	54L003-0000-0015	washer 1,5 mm	1	
G18	54L023-0001-0008	spring	1	
G20	54L030-0007-0001	tie rod	2	
G21	54L042-0001-0002	steering pulley	1	
G22	54L010-0002-0003	bush	2	
G23	54L006-2930-0025	circlip 25	4	
G24	54L003-0001-0003	special washer 3 mm		what is needed
G24	54L003-0001-0004	special washer 2 mm		what is needed
G24	54L003-0001-0005	special washer 1 mm		what is needed
G24	54L003-0001-0012	special washer 0,5 mm		what is needed
G25	54L035-0000-0006	bearing	4	
G26	54L039-0000-0004	wheel	2	
G27	54L043-0001-0005	axle right	1	
G28	54L043-0001-0006	axle left	1	
G29	54L036-0001-0002	rear axle body	1	
G30	54L003-1702-0021	washer 21	1	
G32	54L012-7421-0006	grease nipple KM6	3	
G36	54L043-0002-0001	axle pin	1	





DRAWING NR.	PART NR.	DESCRIPTION	QUANT.	NOTICE
H1	54L015-0004-0003	handle	1	
H2	54L034-0005-0001	lift lever	1	
H3	54L015-0002-0005	knob	1	
H4	54L004-1401-0006	nut M6	2	
H5	54L023-0001-0009	spring	1	
H6	54L002-1006-0515	eyescrew M5 x 15	1	
H7	54L004-1403-0005	nut M5	1	
H9	54L030-0008-0001	push rod	1	
H10	54L005-0000-0001	push-on fastener	1	
H12	54L005-0000-0005	push-on fastener	1	
H13	54L020-0001-0003	bracket	1	
H14	54L011-0660-0830	pin 8 x 30	1	
H15	54L011-2156-0830	roll pin 8 x 30	2	
H16	54L010-0002-0004	bush	2	
H17	54L020-0001-0004	bracket	1	
H18	54L001-1103-1020	bolt M10 x 20	2	
H19	54L004-1492-0010	nut M10	2	
H20	54L021-0002-0009	lift arm	1	
H21	54L032-0003-0001	lift shaft	1	
H22	54L015-0002-0006	knob	1	
H23	54L001-1103-0620	bolt M6 x 20	1	
H1-H22	54L046-0002-0003	handle complete	1	



**NOTICE**

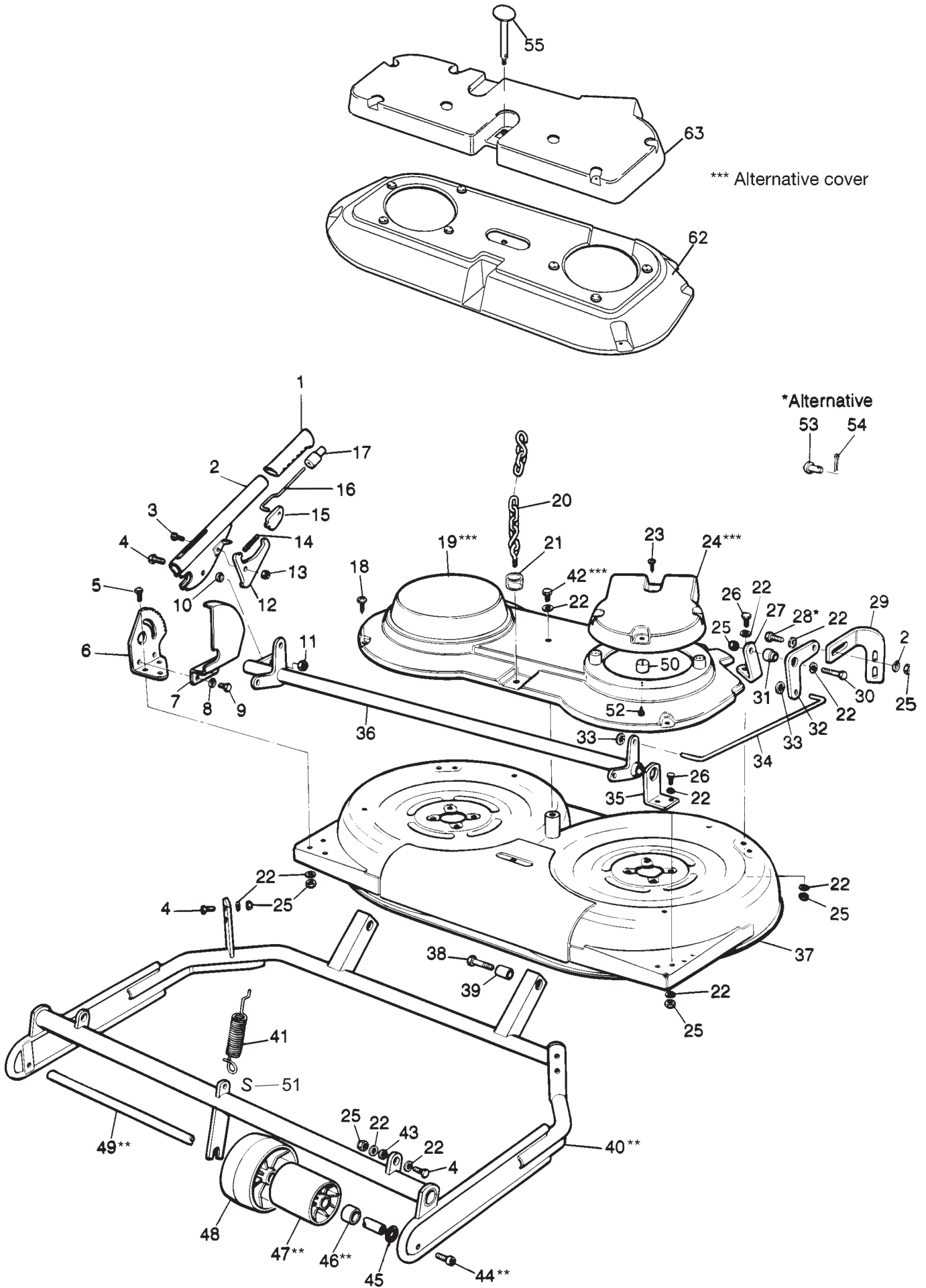
A large area of horizontal grey lines for writing, starting below the 'NOTICE' header and extending to the bottom of the page.



CUTTER DECK 85  
CUTTER DECK 105  
CUTTER DECK 105/2

**the spare parts**

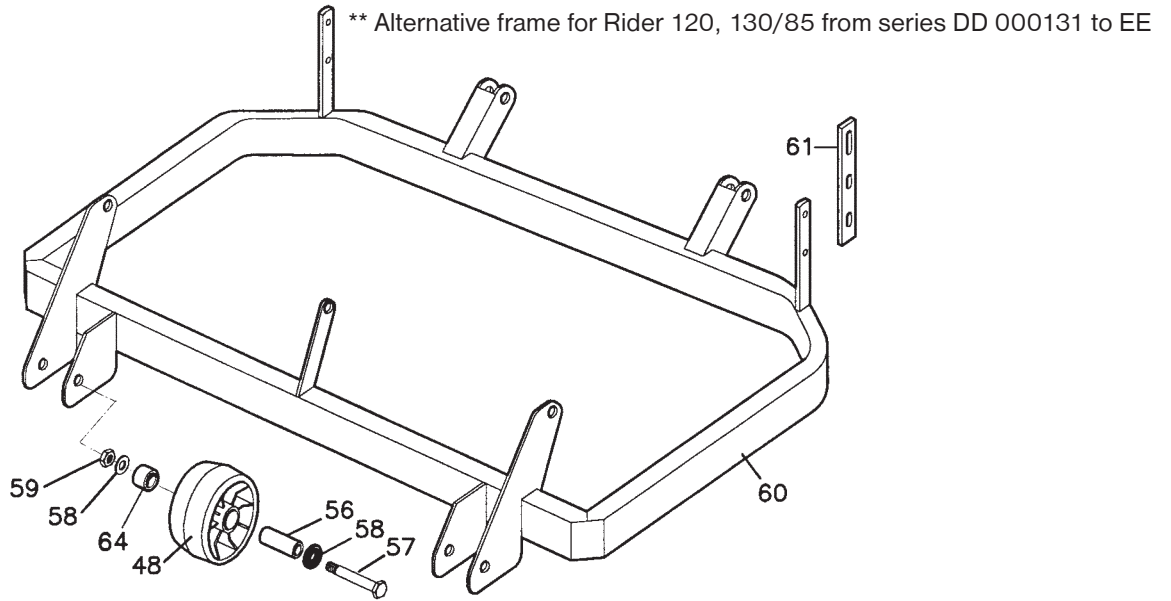




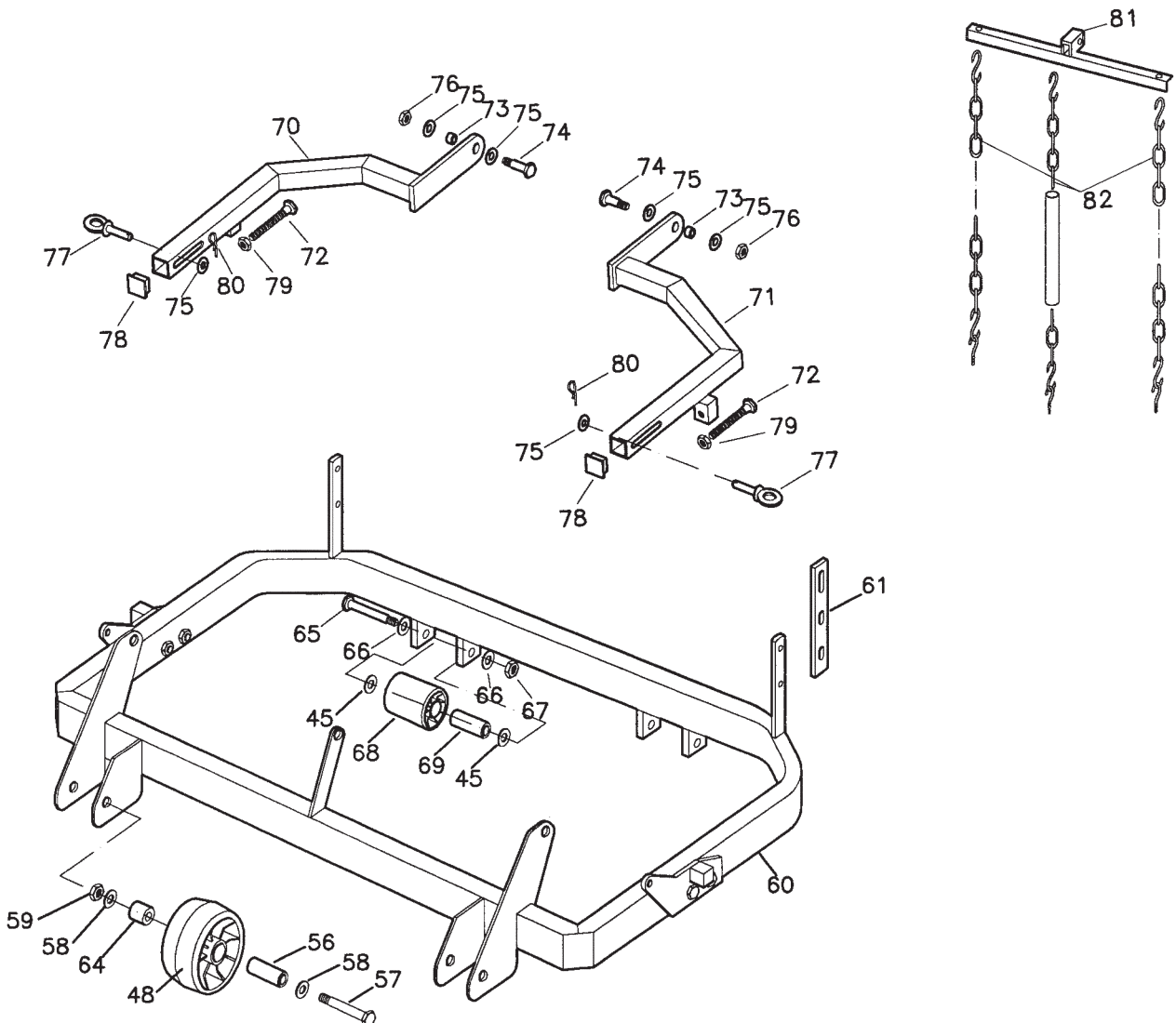




DRAWING NR.	PART NR.	DESCRIPTION	QUANT.	NOTICE
11	54L015-0004-0004	handle	1	
12	54L034-0006-0001	height adjusting lever	1	
13	54L001-1103-0620	bolt M6 x 20	1	
14	54L001-1103-0825	bolt M8 x 25	5	
15	54L001-1103-0820	bolt M8 x 20	3	
16	54L021-0004-0003	height adjustm. quadrant	1	from series DD 00131
16	54L021-0004-0001	height adjustm. quadrant	1	to series DD 00130
17	54L037-0008-0002	height indicator plate	1	from series DD 00131
17	54L037-0008-0001	height indicator plate	1	to series DD 00130
18	54L003-1702-0064	washer 6,4	2	
19	54L001-1103-0614	bolt M6x14	2	
110	54L009-0001-0001	spacer	1	
111	54L004-1492-0008	nut M8	1	
112	54L008-0006-0002	pawl	1	from series DD 00131
112	54L008-0006-0001	pawl	1	to series DD 00130
113	54L004-1492-0006	nut M6	1	
114	54L023-0001-0010	spring	1	
115	54L008-0007-0002	locking key	1	from series DD 00131
115	54L008-0007-0001	locking key	1	to series DD 00130
116	54L030-0009-0005	control rod	1	
117	54L015-0010-0001	locking knob	1	
118	54L001-7985-0512	bolt M5 x 12	4	
119	54L014-0004-0002	cover	1	to series DD 00130
119	54L014-0004-0006	cover	1	for Rider 140/85
120	54L008-0009-0001	chain	1	for Rider 120, 130
120	54L008-0009-0002	chain	1	for Rider 140/85 - to series EE 00013
121	54L015-0011-0001	plastic cover	1	
122	54L003-1702-0084	washer 8,4	32	
123	54L002-7981-3995	screw 3.9 x 9.5	7	
124	54L014-0004-0001	belt cover	1	to series DD 00130, for Rider 140/85
125	54L004-1492-0008	nut M8	15	
126	54L001-1103-0820	bolt M8 x 20	6	
127	54L020-0001-0005	bracket left	1	
127	54L020-0001-0006	bracket right	1	
128	54L001-1101-0825	bolt M8 x 25	2	to series BB
129	54L020-0006-0001	adjusting bracket left	1	to series DD 00130
129	54L020-0006-0002	adjusting bracket right	1	to series DD 00130
130	54L001-1101-0835	bolt M8 x 35	2	
131	54L009-0001-0002	spacer	2	
132	54L037-0007-0002	pivot plate	2	
133	54L005-0000-0005	push-on fastener	4	
134	54L008-0013-0001	bar	2	
135	54L020-0001-0007	bracket	2	
136	54L030-0007-0002	tie rod	1	
137	54L017-0005-0001	cutter deck	1	
138	54L001-1103-1055	bolt M10 x 55	2	
139	54L010-0001-0004	bush	2	
140	54L017-0003-0001	frame	1	to series DD 00130
141	54L023-0001-0011	spring	1	
142	54L001-1103-0816	bolt M8x16	1	to series CC, for R-140 from series EE 00014
143	54L010-0001-0005	bush	2	
144	54L001-1143-1016	bolt M10 x 16	2	to series DD 00130
145	54L009-0003-0010	spacer 1 mm		what is needed
145	54L009-0003-0020	spacer 2 mm		what is needed
145	54L009-0003-0030	spacer 3 mm		what is needed
146	54L009-0002-0004	spacer	2	to series DD 00130
147	54L015-0012-0001	guard roller	8	to series DD 00130
148	54L015-0013-0001	casing wheel	2	
149	54L032-0001-0004	shaft	1	to series DD 00130
150	54L010-0002-0005	bush	7	
151	54L008-0001-0002	spigot	1	
152	54L002-7981-3995	screw 3.9 x 9.5	14	
153	54L008-0012-0001	safety bolt	2	from series CC
154	54L011-0915-0001	pin	2	from series CC
155	54L037-0004-0002	inpact	1	for Rider 120,130 to series EE
155	54L037-0004-0003	inpact	1	for Rider 140/85 - to series EE 00013
156	54L009-0001-0016	spacer	2	from series DD 00131



\*\* Alternative frame for Rider 140/85 from series EE 00014





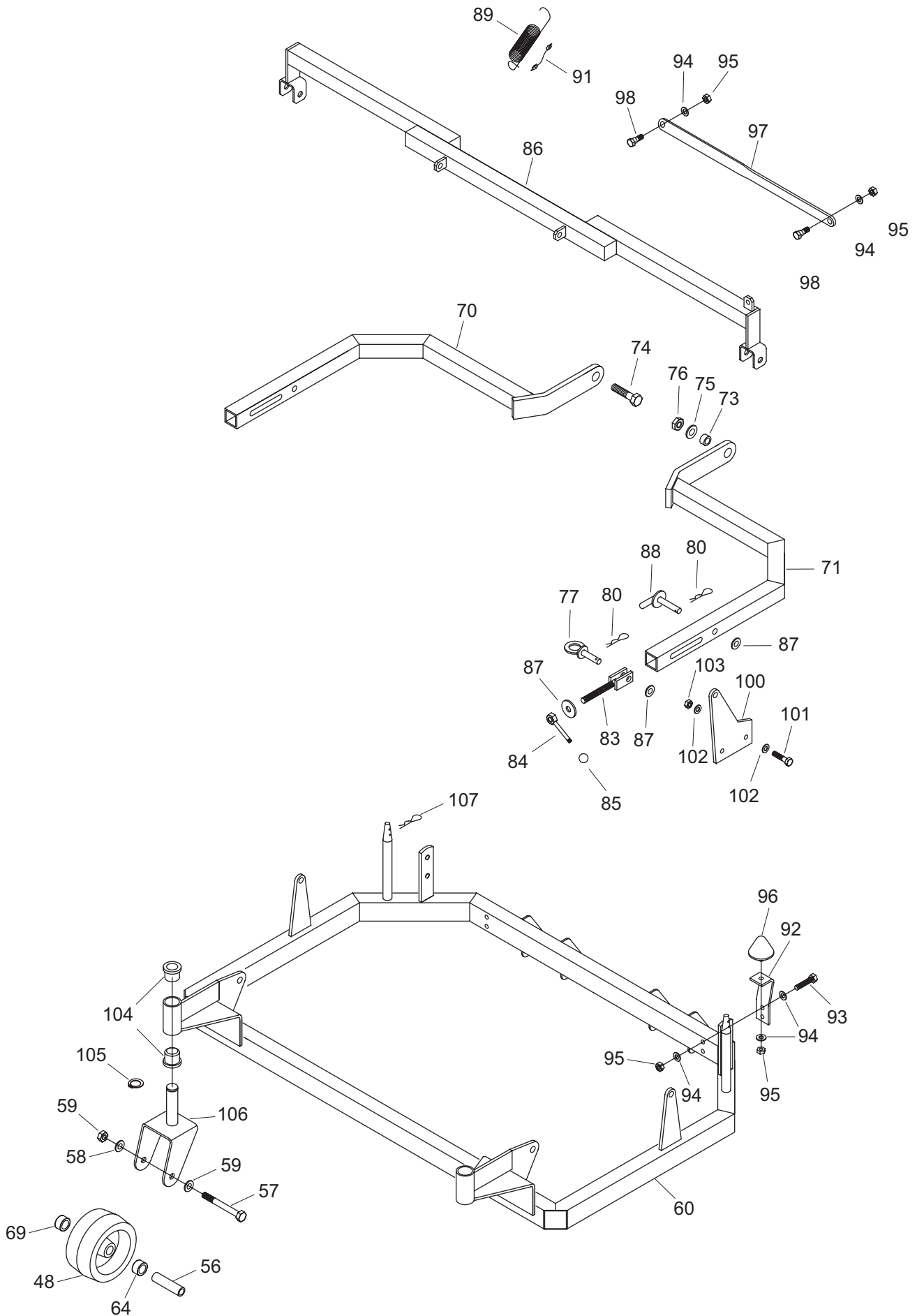
DRAWING NR.	PART NR.	DESCRIPTION	QUANT.	NOTICE
157	54L001-1101-1090	bolt M10 x 90	2	from series DD 00131
158	54L003-1702-0105	washer 10,5	4	from series DD 00131
159	54L004-1492-0010	nut M10	2	from series DD 00131
160	54L017-0003-0003	frame	1	for R-120,130 from series DD 00131 to EE
160	54L017-0003-0005	frame	1	for R-140 from series EE 00014 to EE 00059
160	54L017-0003-0006	frame	1	for R-140 from EE 00060, for R-120, 130 from FF to GG 00069, for R-140
160	54L017-0003-0008	frame	1	for R-120,130 from series GG 00070
161	54L020-0006-0005	adjusting bracket	2	from series DD 00131
162	54L014-0004-0004	cover	1	for Rider 120,130 from series DD 00131
163	54L014-0004-0005	belt cover	1	for Rider 120,130 from series DD 00131
164	54L009-0002-0007	spacer	4	from series DD 00131
165	54L001-1101-0120	bolt M10 x 120	2	for R-140 from series EE 00014, for R-120,130,140 from series FF
166	54L003-1702-0105	washer 10,5	8	for R-140 from series EE 00014, for R-120,130,140 from series FF
167	54L004-1492-0010	nut M10	4	for R-140 from series EE 00014, for R-120,130,140 from series FF
168	54L015-0012-0001	guard roller	2	for R-140 from series EE 00014, for R-120,130,140 from series FF
169	54L009-0001-0015	spacer	2	for R-140 from series EE 00014, for R-120,130,140 from series FF
170	54L020-0001-0019	bracket right	1	for R-140 from series EE 00014 to FF 00100
170	54L020-0001-0026	bracket right	1	for R-140 from series FF 00101
170	54L020-0001-0028	bracket right	1	for R-120, 130 from FF 00101 to GG 00069
170	54L020-0001-0030	bracket right	1	for R-120, 130 from FF 00001 to FF 00100
170	54L020-0001-0032	bracket right	1	for R-140
170	54L020-0001-0050	bracket right	1	for R-120, 130 from GG 00070
171	54L020-0001-0020	bracket left	1	for R-140 from series EE 00014 to FF 00100
171	54L020-0001-0027	bracket left	1	for R-140 from series FF 00101
171	54L020-0001-0029	bracket left	1	for R-120, 130 from FF 00101 to GG 00069
171	54L020-0001-0031	bracket left	1	for R-120, 130 from FF 00001 to FF 00100
171	54L020-0001-0033	bracket left	1	for R-140
171	54L020-0001-0051	bracket left	1	for R-120, 130 from GG 00070
172	54L001-1101-1010	bolt M10 x 100	2	for R-140 from series EE 00014 to EE 00059
173	54L009-0001-0018	spacer	2	for R-140 from series EE 00014 to EE
173	54L009-0001-0022	spacer	2	R-140 from EE 00014 to EE for R-120,130,140 from FF 00001 to FF 00100
173	54L009-0001-0025	spacer	2	for R-120,130,140 from series FF 00101
174	54L001-1101-1035	bolt M10 x 35	2	for R-140 from series EE 00014
174	54L001-1101-1230	bolt M12 x 30	2	for R-140
175	54L001-1727-0011	washer 11	6	for R-140 from series EE 00014
175	54L003-1702-0013	washer 13	2	for R-120,130,140 from series FF 00101
176	54L004-1492-0010	nut M10	2	for R-140 from series EE 00014
176	54L004-0175-0012	nut M12	2	for R-120,130,140 from series FF 00101
177	54L008-0018-0002	peg	2	for R-140 from series EE 00014 for R-120,130,140 from series FF
178	54L015-0014-0002	end plug	2	for R-140 from series EE 00014 to EE 00059
179	54L004-1401-0010	nut M10	2	for R-140 from series EE 00014 to EE 00059
180	54L011-0915-0001	pin	2	for R-140 from series EE 00014 for R-120,130,140 from series FF
181	54L021-0002-0008	arm	1	for R-140 from series EE 00014
182	54L008-0009-0004	chain	1	for R-140 from series EE 00014
183	54L030-0005-0004	tension rod	2	for R-140 from series EE 00060 for R-120,130,140 from series FF
184	54L004-0001-0001	nut special	2	for R-140 from series EE 00060 for R-120,130,140 from series FF
185	54L015-0003-0001	ballgrip	2	for R-140 from series EE 00060 for R-120,130,140 from series FF
186	54L021-0000-0001	holder	1	for R-120,130 from series FF to GG 00069
186	54L021-0000-0003	holder	1	for R-140
186	54L021-0000-0015	holder	1	for R-120,130 from series GG 00070
187	54L003-1727-0011	washer 11	6	for R-120,130,140 from series FF
188	54L003-0018-0003	peg	2	for R-120,130,140 from series FF
189	54L023-0001-0016	spring	2	for R-120,130,140 from series FF
191	54L041-0003-0001	eye cable	2	for R-120,130,140 from series FF

# CUTTER DECK 85

## the spare parts I

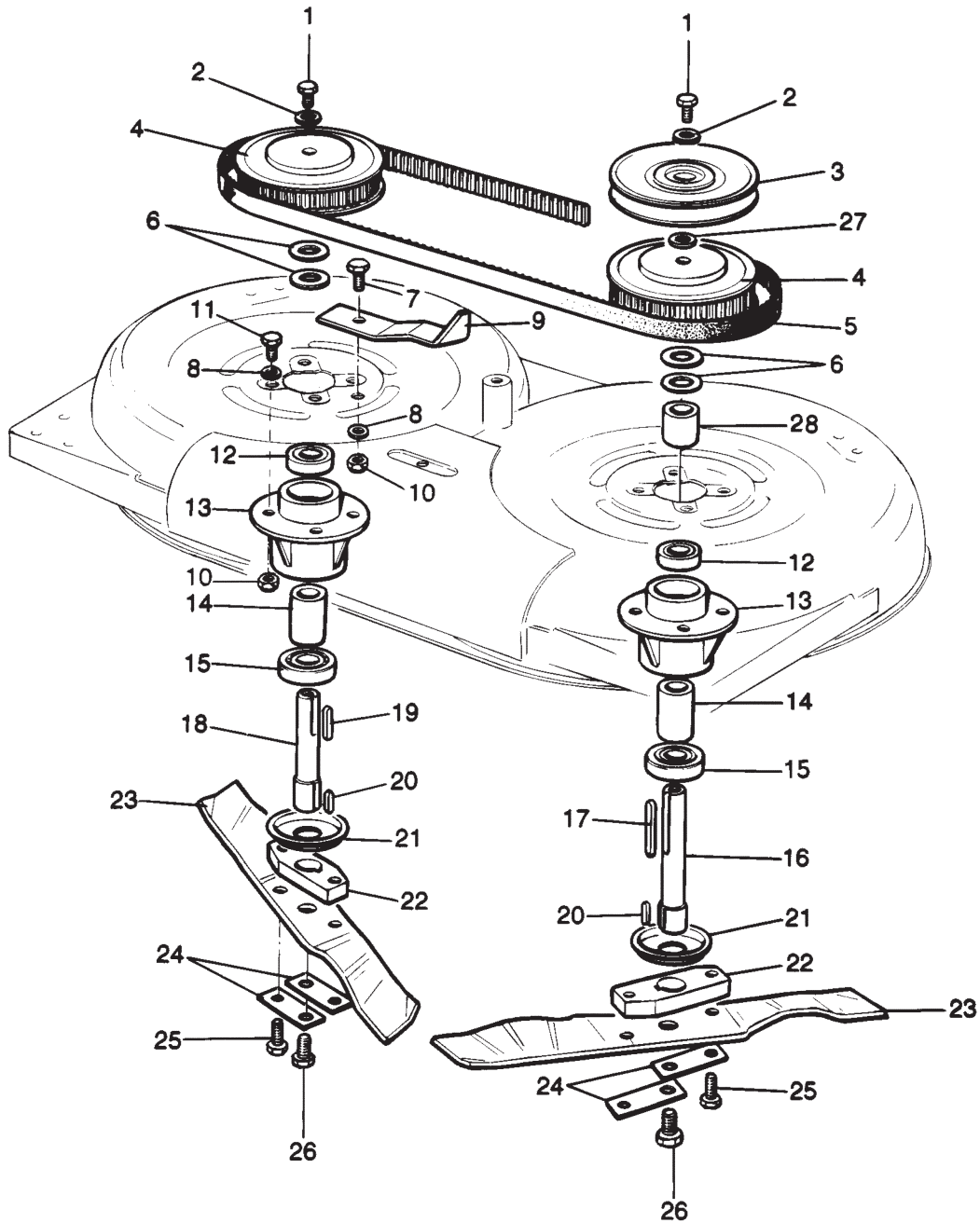


\*\* Alternative frame for Rider 120, 130, 140 from series FF





DRAWING NR.	PART NR.	DESCRIPTION	QUANT.	NOTICE
I92	54L021-0007-0001	carrier	2	for R-120,130 from series FF
I93	54L001-1101-0850	bolt M8 x 50	4	for R-120,130 from series FF
I94	54L003-1702-0084	washer 8,4	10	for R-120,130 from series FF
I95	54L004-1492-0008	nut M8	6	for R-120,130 from series FF
I96	54L007-0007-0001	rubber inpart	2	for R-120,130 from series FF
I97	54L021-0009-0001	stabilizator	1	option for R-120,130 from series FF
I97	54L021-0009-0002	stabilizator	1	option for R-140 from series FF
I98	54L001-0001-0011	bolt special	2	option R-120,130,140 from series FF
I100	54L020-0001-0040	bracket	2	for R-120,130,140 from FF to GG 00069
I101	54L001-1101-0850	bolt M8 x 50	4	for R-120,130,140 from FF to GG 00069
I102	54L003-1702-0084	washer 8,4	8	for R-120,130,140 from FF to GG 00069
I103	54L004-1492-0008	nut M8	4	for R-120,130,140 from FF to GG 00069
I104	54L010-0002-0003	bush	4	for R-120,130,140 from series GG 00070
I105	54L006-2930-0020	circlip 20	2	for R-120,130,140 from series GG 00070
I106	54L020-0000-0001	bracket	2	for R-120,130,140 from series GG 00070
I107	54L011-0915-0003	pin	2	for R-120,130,140 from series GG 00070
I1-I17	54L046-0002-0002	handle complete	1	



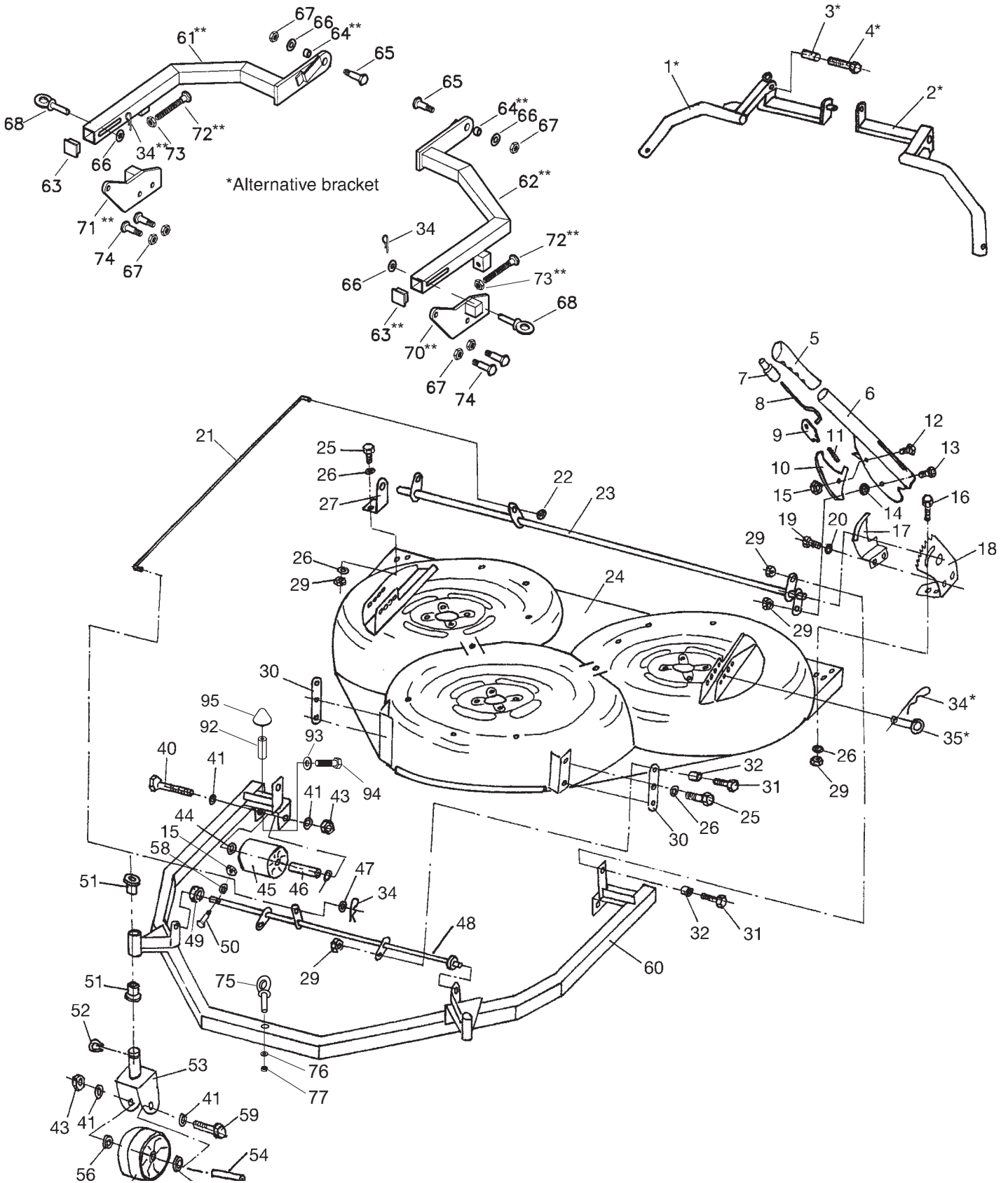


DRAWING NR.	PART NR.	DESCRIPTION	QUANT.	NOTICE
J1	54L001-0073-0820	bolt M8 x 20	2	
J2	54L003-1727-0009	washer 9	2	
J3	54L027-0001-0015	belt pulley	1	from series EE 00400
J3	54L027-0001-0005	belt pulley	1	to series EE 00399
J3	54L027-0001-0012	belt pulley	1	for R-140 from EE 00010 to EE 00399
J3	54L027-0001-0016	belt pulley	1	for R-140 from EE 00400
J4	54L027-0003-0003	toothed pulley	1	from series EE 00400
J4	54L027-0003-0001	toothed pulley	2	to series EE 00399
J5	54L024-0002-0001	toothed belt	1	
J6	54L003-0001-0010	special washer	3	from series EE 00400, for R-140 4 pc
J6	54L003-0001-0002	special washer	4	to series EE 00399
J7	54L001-1103-0820	bolt M8 x 20	1	
J8	54L003-1702-0084	washer 8,4	9	
J9	54L025-0000-0004	tensioner	1	
J10	54L004-1492-0008	nut M8	9	
J11	54L001-1103-0830	bolt M8 x 30	8	
J12	54L035-0000-0007	bearing	4	from series EE 00400
J12	54L035-0000-0003	bearing	2	to series EE 00399
J13	54L036-0002-0003	bearing housing	2	from series EE 00400
J13	54L036-0002-0001	bearing housing	2	to series EE 00399
J14	54L009-0001-0023	spacer	2	from series EE 00400
J14	54L009-0001-0012	spacer	2	to series EE 00399
J15	54L035-0000-0002	bearing	2	to series EE 00399
J16	54L032-0002-0006	blade shaft	1	for R-120,130 from series EE 00400
J16	54L032-0002-0001	blade shaft	1	for R-120,130 to series EE 00399
J16	54L032-0002-0007	blade shaft	1	for R-140 from EE 00400
J16	54L032-0002-0003	blade shaft	1	for R-140 to EE 00399
J17	54L029-0000-6670	key 6 x 6 x 70	1	for R-120,130 from series EE 00400
J17	54L029-0000-5563	key 5 x 5 x 63	1	for R-120,130 to series EE 00399
J18	54L032-0002-0008	blade shaft	1	from series EE 00400
J18	54L032-0002-0002	blade shaft	1	to series EE 00399
J19	54L029-0000-6639	key 6 x 6 x 39	1	from series EE 00400, for R-140 2pc
J19	54L029-0000-5532	key 5 x 5 x 32	1	to series EE 00399, for R-140 2pc
J20	54L029-0000-6616	key 6 x 6 x 16	2	from series EE 00400
J20	54L029-0000-5514	key 5 x 5 x 14	2	to series EE 00399
J21	54L013-0003-0002	cover	2	from series EE 00400
J21	54L013-0003-0001	cover	2	to series EE 00399
J22	54L021-0005-0003	blade holder	2	from series EE 00400
J22	54L021-0005-0001	blade holder	2	to series EE 00399
J23	54L033-0000-0001	blade	2	
J24	54L037-0002-0001	safety plate	4	
J25	54L001-1103-0825	bolt M8 x 25	4	
J26	54L001-0073-1020	bolt M10 x 20	2	
J27	54L003-0000-0020	washer 2 mm	1	to series EE 00399
J28	54L009-0001-0026	spacer	1	for R-140 from EE 00400
J28	54L009-0001-0017	spacer	1	for R-140 to EE 00399
J29	54L029-0000-6635	key 6 x 6 x 35	1	for R-140 from EE 00400
J12-J21	54L046-0005-0010	bearinghouse cpl. long	1	for R-120,130 from series EE 00400
J12-J21	54L046-0005-0003	bearinghouse cpl. long	1	for R-120,130 to series EE 00399
J12-J21	54L046-0005-0011	bearinghouse cpl. short	1	from series EE 00400
J12-J21	54L046-0005-0004	bearinghouse cpl. short	1	to series EE 00399
J12-J21	54L046-0005-0012	bearinghouse cpl. long	1	for R-140 from EE 00400
J12-J21	54L046-0005-0007	bearinghouse cpl. long	1	for R-140 to EE 00399





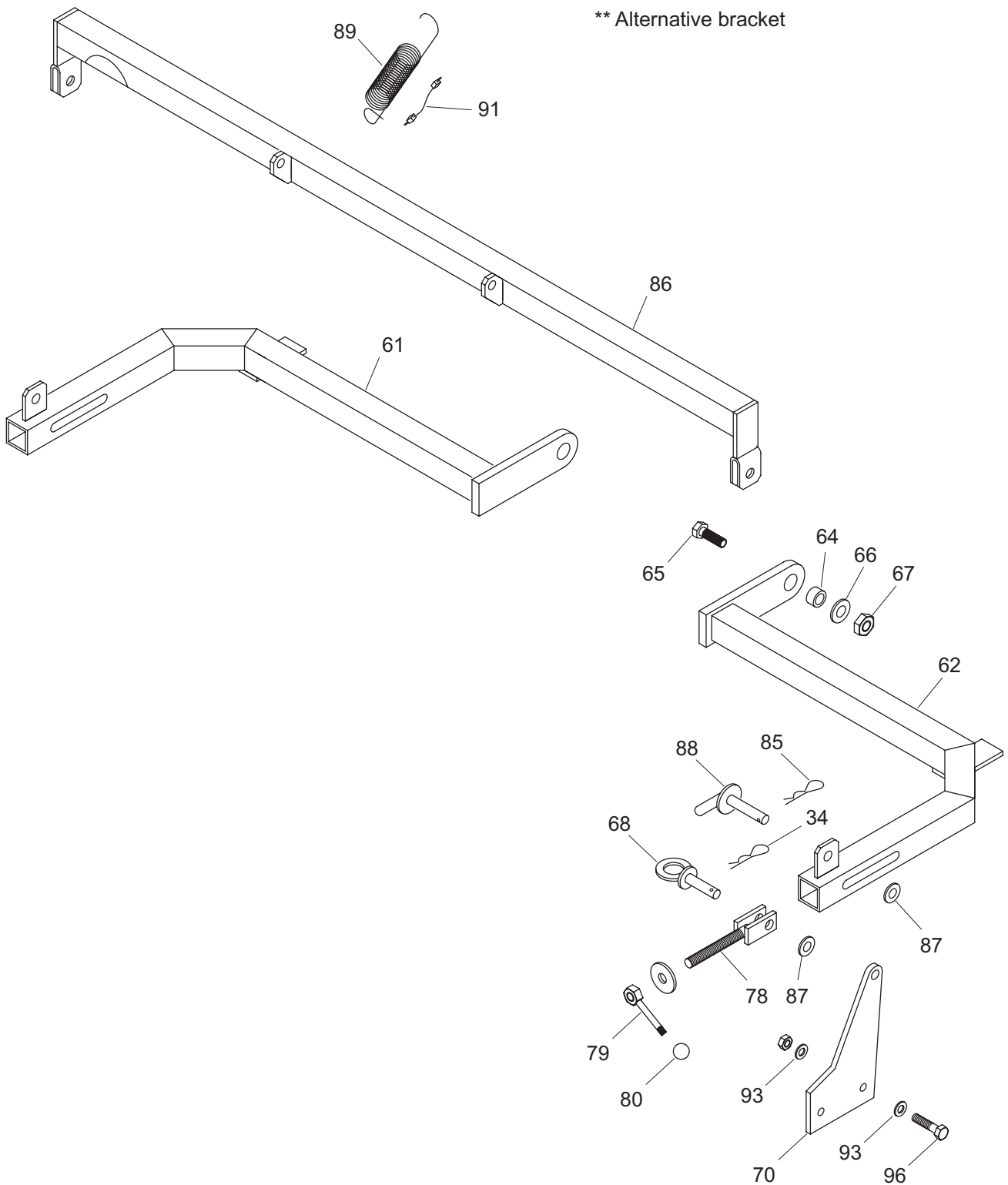
\*\* Alternative bracket on the next page







DRAWING NR.	PART NR.	DESCRIPTION	QUANT.	NOTICE
11	54L020-0001-0010	bracket right	1	to series EE 00009
12	54L020-0001-0011	bracket left	1	to series EE 00009
13	54L010-0001-0004	bush	2	to series EE 00009
14	54L001-1103-1055	bolt M10 x 55	2	to series EE 00009
15	54L015-0004-0004	handle	1	
16	54L034-0006-0001	height adjusting lever	1	
17	54L015-0010-0001	locking knob	1	
18	54L030-0009-0005	control rod	1	
19	54L008-0007-0002	locking key	1	
110	54L008-0006-0002	pawl	1	
111	54L023-0001-0010	spring	1	
112	54L001-1103-0620	bolt M6 x 20	1	
113	54L001-1103-0825	bolt M8 x 25	1	
114	54L009-0001-0001	spacer	1	
115	54L004-1492-0006	nut M6	2	
116	54L001-1103-0820	bolt M8 x 20	3	
117	54L037-0008-0002	height indicator plate	1	
118	54L021-0004-0003	height adjustm. quadrant	1	
119	54L001-1103-0614	bolt M6 x 14	2	
120	54L003-1702-0064	washer 6,4	2	
121	54L008-0013-0002	bar	1	
122	54L005-0000-0005	push-on fastener	1	
123	54L030-0007-0003	tie rod	1	
124	54L017-0005-0002	cutter deck	1	
125	54L001-1103-0820	bolt M8 x 20	4	
126	54L003-1702-0084	washer 8,4	9	
127	54L020-0001-0007	bracket	1	
129	54L004-1492-0008	nut M8	7	
130	54L020-0001-0012	bracket	2	
131	54L001-1103-0825	bolt M8 x 25	4	
132	54L010-0001-0005	bush	4	
134	54L011-0915-0001	pin	3	
135	54L008-0018-0001	peg	2	to series EE 00009
140	54L001-1101-0120	bolt M10 x 120	2	
141	54L003-1702-0105	washer 10,5	8	
143	54L004-1492-0010	nut M10	4	
144	54L009-0003-0010	spacer 1 mm		what is needed
144	54L009-0003-0020	spacer 2 mm		what is needed
144	54L009-0003-0030	spacer 3 mm		what is needed
145	54L015-0012-0001	guard roller	2	
146	54L009-0001-0015	spacer	2	
147	54L003-1702-0084	washer 8,4	1	
148	54L030-0007-0004	tie rod	1	
149	54L010-0001-0008	bush	1	
150	54L001-1131-0640	bolt M6 x 40	1	from series EE 00021
150	54L011-2156-0626	roll pin 6 x 26	1	to series EE 00020
151	54L010-0002-0003	bush	4	
152	54L006-2930-0020	circlip 20	2	
153	54L020-0000-0001	holder	2	
154	54L009-0001-0016	spacer	2	
156	54L009-0002-0007	spacer	4	
157	54L015-0013-0001	casing wheel	2	
158	54L003-1745-0064	washer 6,4	1	from series EE 00021
159	54L001-1101-1090	bolt M10 x 90	1	
160	54L017-0003-0004	frame	1	
161	54L020-0001-0013	bracket right	1	for R-140 from EE 00010 to EE 00059
161	54L020-0001-0017	bracket right	1	for R-120,130 from EE 00010 to EE 00059
161	54L020-0001-0021	bracket right	1	for R-140 from series EE 00060
161	54L020-0001-0023	bracket right	1	for R-120,130 from series EE 00060
161	54L020-0001-0041	bracket right	1	for R-140 from series FF
162	54L020-0001-0014	bracket left	1	for R-140 from EE 00010 to EE 00059
162	54L020-0001-0018	bracket left	1	for R-120,130 from EE 00010 to EE 00059
162	54L020-0001-0022	bracket left	1	for R-140 from series EE 00060
162	54L020-0001-0024	bracket left	1	for R-120,130 from series EE 00060
162	54L020-0001-0042	bracket left	1	for R-140 from series FF
163	54L015-0014-0002	end plug	2	from series EE 00010 to EE 00059
164	54L009-0001-0018	spacer	2	from series EE 00010 to EE 00059

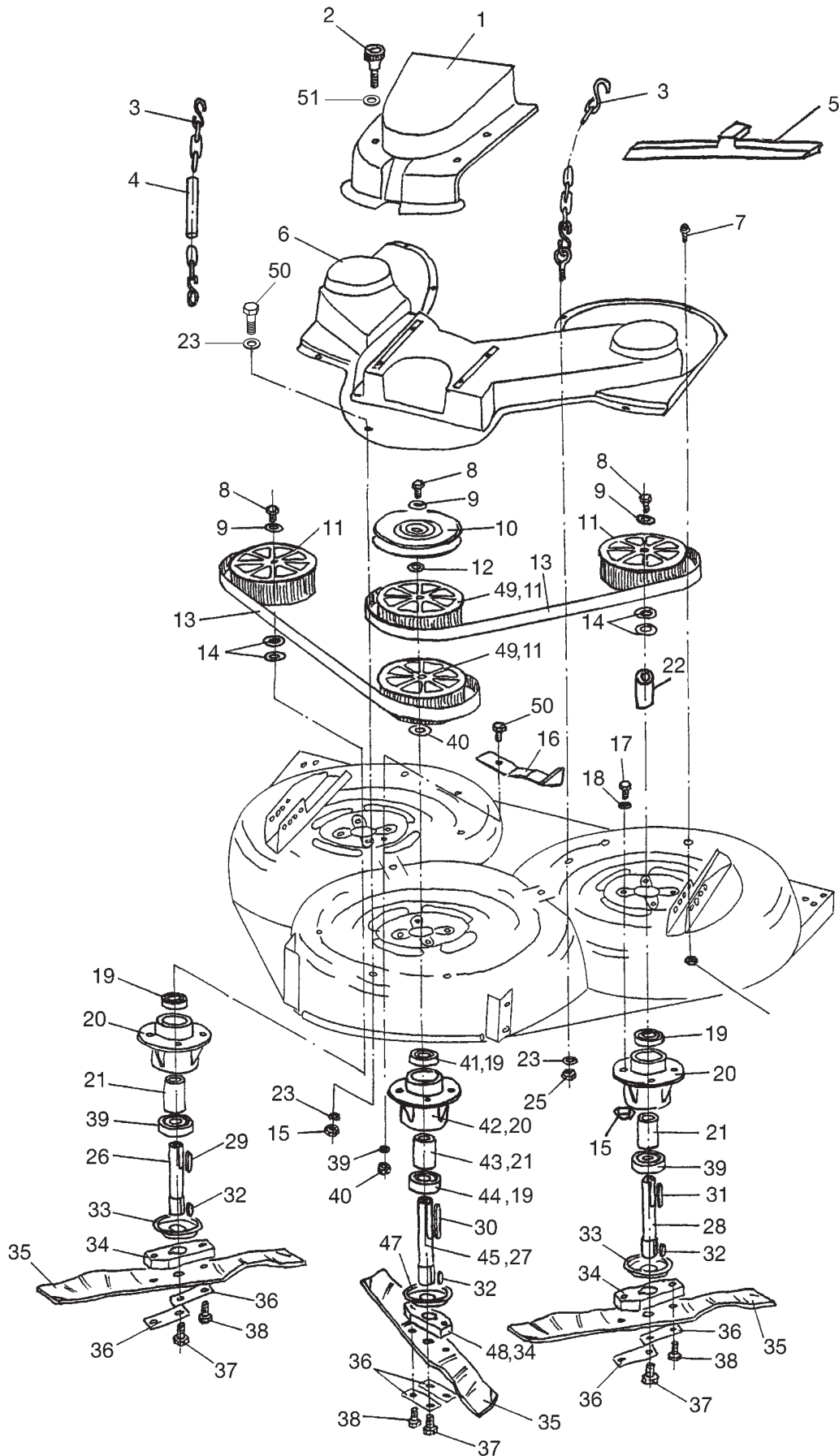




DRAWING NR.	PART NR.	DESCRIPTION	QUANT.	NOTICE
164	54L009-0001-0022	spacer	2	from series EE 00060 to EE
164	54L009-0001-0025	spacer	2	from series FF
165	54L001-1101-1030	bolt M10 x 30	2	for R-140 from series EE 00010
165	54L001-1101-1230	bolt M12 x 30	2	for R-140 from series FF
166	54L003-1727-0011	washer 11	4	for R-140 from series EE 00010
166	54L003-1702-0013	washer 13	2	for R-140 from series FF
167	54L004-1492-0010	nut M10	4	for R-140 from series EE 00010
167	54L004-0175-0012	nut M12	2	for R-140 from series FF
168	54L008-0018-0002	peg	2	from series EE 00010
170	54L020-0001-0025	bracket	2	from series EE 00060 to EE
170	54L020-0001-0040	bracket	2	from series FF
170	54L020-0001-0015	bracket left	1	from series EE 00010 to EE 00059
171	54L020-0001-0016	bracket right	1	from series EE 00010 to EE 00059
172	54L001-1101-1010	bolt M10 x 100	2	from series EE 00010 to EE 00059
173	54L004-1401-0010	nut M10	2	from series EE 00010 to EE 00059
174	54L001-1103-1020	bolt M10 x 20	2	from series EE 00010 to EE 00059
175	54L002-1006-0850	bolt M8 x 50	1	from series EE 00010 to EE
176	54L003-1702-0084	washer 8,4	1	from series EE 00010 to EE
177	54L004-1492-0008	nut M8	1	from series EE 00010 to EE
178	54L030-0005-0004	tension rod	2	from series EE 00060
179	54L004-0001-0001	nut special	2	from series EE 00060
180	54L015-0003-0001	ballgrip	2	from series EE 00060
185	54L011-0915-0001	pin	4	from series FF
186	54L021-0000-0006	holder	1	from series FF
187	54L003-1727-0011	washer 11	4	from series FF
188	54L008-0018-0004	peg	2	from series FF
189	54L023-0001-0016	spring	2	from series FF
191	54L041-0003-0001	eye cable	2	from series FF
192	54L008-0002-0004	spacer	2	from series FF
193	54L003-1702-0084	washer 8,4	6	from series FF
194	54L001-1103-0820	bolt M8 x 20	2	from series FF
195	54L007-0007-0001	rubber inpack	2	from series FF
196	54L001-1101-0850	bolt M8 x 50	4	from series FF
15-120	54L046-0002-0002	handle complete	1	

# CUTTER DECK 105

the spare parts J

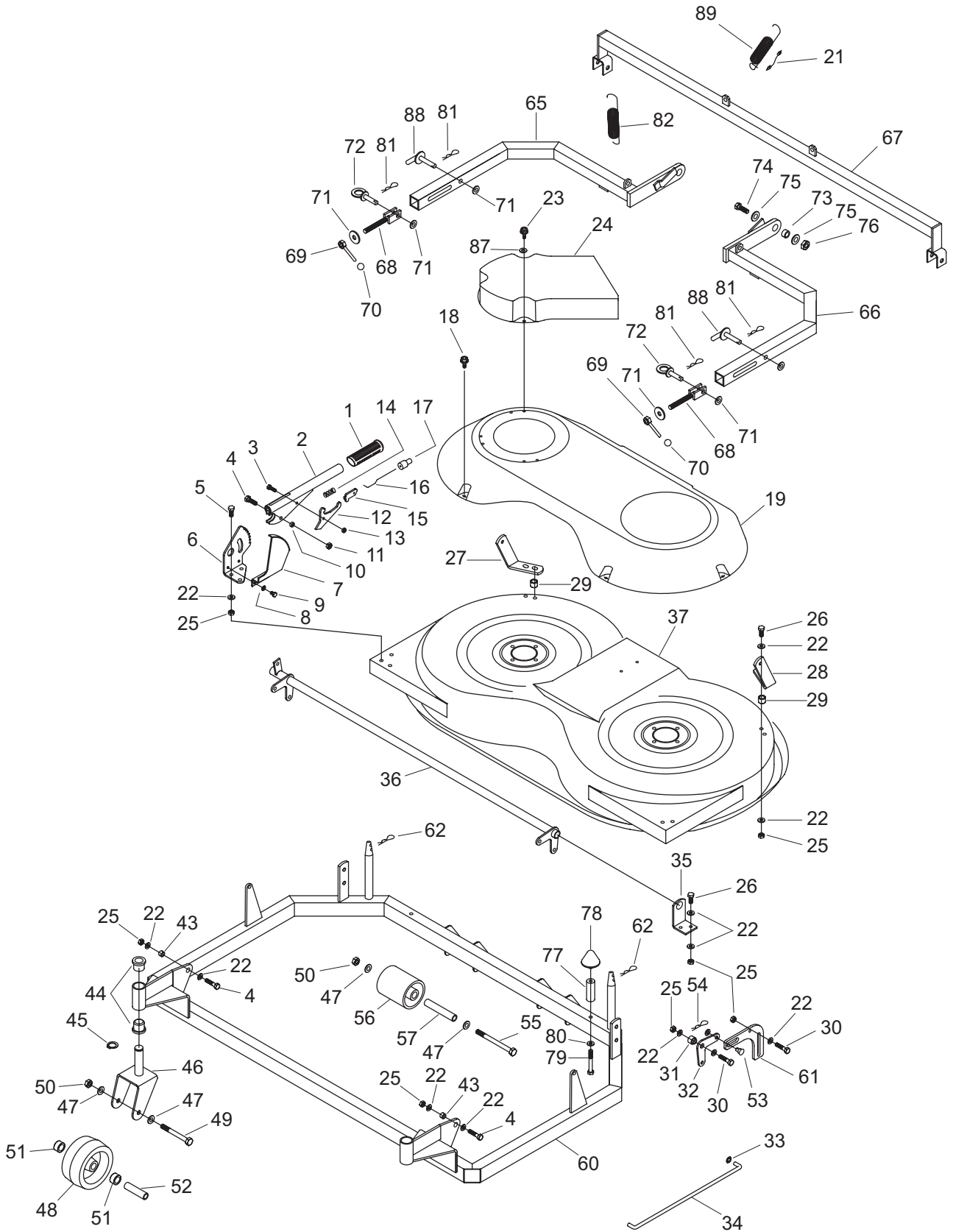


DRAWING NR.	PART NR.	DESCRIPTION	QUANT.	NOTICE
J19-J33	54L046-0005-0004	bearinghouse cpl. short	1	to series EE 00399
J19-J33,J47	54L046-0005-0014	bearinghouse cpl. longest	1	from series EE 00400
J19-J33	54L046-0005-0008	bearinghouse cpl. longest	1	from EE 00010 to EE 00399



DRAWING NR.	PART NR.	DESCRIPTION	QUANT.	NOTICE
J1	54L014-0004-0010	belt cover	1	from series EE 00010
J1	54L014-0004-0007	belt cover	1	to series EE 00009
J2	54L001-0001-0008	bolt special	4	
J3	54L008-0009-0003	chain	1	to series EE
J5	54L021-0002-0008	arm	1	from series EE 00010 to EE
J5	54L021-0002-0007	arm	1	to series EE 00009
J6	54L014-0004-0009	cover	1	from series EE 00010
J6	54L014-0004-0008	cover	1	to series EE 00009
J7	54L001-0073-0516	bolt M5 x 16	4	
J8	54L001-0073-0820	bolt M8 x 20	3	
J9	54L003-1727-0009	washer 9	3	
J10	54L027-0001-0016	belt pulley	1	from series EE 00400
J10	54L027-0001-0011	belt pulley	1	from EE 00010 to EE 00399
J10	54L027-0001-0005	belt pulley	1	to series EE 00009
J11	54L027-0003-0003	toothed pulley	4	from series EE 00400
J11	54L027-0003-0001	toothed pulley	4	to series EE 00399
J12	54L003-0000-0020	washer 2 mm	2	to series EE 00399
J13	54L024-0002-0001	toothed belt	2	
J14	54L003-0001-0010	special washer	4	from series EE 00400
J14	54L003-0001-0002	special washer	3	to series EE 00399
J15	54L004-1492-0008	nut M8	13	
J16	54L025-0000-0004	tensioner	2	
J17	54L001-1103-0830	bolt M8 x 30	12	
J18	54L003-1702-0084	washer 8,4	12	
J19	54L035-0000-0007	bearing	6	from series EE 00400
J19	54L035-0000-0003	bearing	2	to series EE 00399
J20	54L036-0002-0003	bearing housing	3	from series EE 00400
J20	54L036-0002-0001	bearing housing	3	to series EE 00399
J21	54L009-0001-0023	spacer	3	from series EE 00400
J21	54L009-0001-0012	spacer	2	to series EE 00399
J22	54L009-0001-0024	spacer	1	from series EE 00400
J22	54L009-0001-0019	spacer	1	from EE 00010 to EE 00399
J23	54L003-1702-0084	washer 8,4	3	
J25	54L004-1492-0006	nut M6	1	
J26	54L032-0002-0008	blade shaft	1	from series EE 00400
J26	54L032-0002-0002	blade shaft	1	to series EE 00399
J27	54L032-0002-0003	blade shaft	1	to series EE
J28	54L032-0002-0009	blade shaft	1	from series EE 00400
J28	54L032-0002-0004	blade shaft	1	from EE 00010 to EE 00399
J29	54L029-0000-6639	key 6 x 6 x 39	1	from series EE 00400
J29	54L029-0000-5532	key 5 x 5 x 32	1	to series EE 00399
J30	54L029-0000-6100	key 6 x 6 x 100	1	from series EE 00400
J30	54L029-0000-5586	key 5 x 5 x 86	1	from EE 00010 to EE 00399
J31	54L029-0000-5535	key 5 x 5 x 35	1	from EE 00010 to EE 00399
J32	54L029-0000-6616	key 6 x 6 x 16	3	from series EE 00400
J32	54L029-0000-5514	key 5 x 5 x 14	3	to series EE 00399
J33	54L013-0003-0001	cover	2	to series EE 00399
J34	54L021-0005-0003	blade holder	3	from series EE 00400
J34	54L021-0005-0001	blade holder	2	to series EE 00399
J35	54L033-0000-0001	blade	3	
J36	54L037-0002-0001	safety plate	6	
J37	54L001-0073-1020	bolt M10 x 20	3	
J38	54L001-1103-0825	bolt M8 x 25	6	
J39	54L035-0000-0002	bearing	2	to series EE 00399
J40	54L003-0001-0008	special washer 1 mm	1	from series EE 00400
J40	54L003-0000-0020	washer 2 mm	1	from EE 00010 to EE 00399
J41	54L035-0000-0007	bearing	1	from EE 00010 to EE 00399
J42	54L036-0002-0002	bearing	1	from EE 00010 to EE 00399
J43	54L009-0001-0020	spacer	1	from EE 00010 to EE 00399
J44	54L035-0000-0008	bearing	1	from EE 00010 to EE 00399
J45	54L032-0002-0010	blade shaft	1	from series EE 00400
J45	54L032-0002-0005	blade shaft	1	from EE 00010 to EE 00399
J48	54L021-0005-0002	blade shaft	1	from EE 00010 to EE 00399
J49	54L027-0003-0002	toothed pulley	2	from EE 00010 to EE 00399
J19-J33	54L046-0005-0013	bearinghouse cpl. long	1	from series EE 00400
J19-J33	54L046-0005-0009	bearinghouse cpl. long	1	from EE 00010 to EE 00399
J19-J33	54L046-0005-0011	bearinghouse cpl. short	1	from series EE 00400

# CUTTER DECK 105/2 the spare parts I



DRAWING NR.	PART NR.	DESCRIPTION	QUANT.	NOTICE
178	54L007-0007-0001	rubber impact	2	
179	54L001-1101-0850	bolt M8 x 50	2	
180	54L003-1702-0084	washer 8,4	2	
181	54L011-0915-0001	pin	4	
182	54L023-0001-0017	spring	2	
187	54L003-1745-0064	washer 6,4	3	
188	54L008-0018-0003	peg	2	
189	54L023-0001-0016	spring	2	
11-117	54L046-0002-0002	handle complete	1	

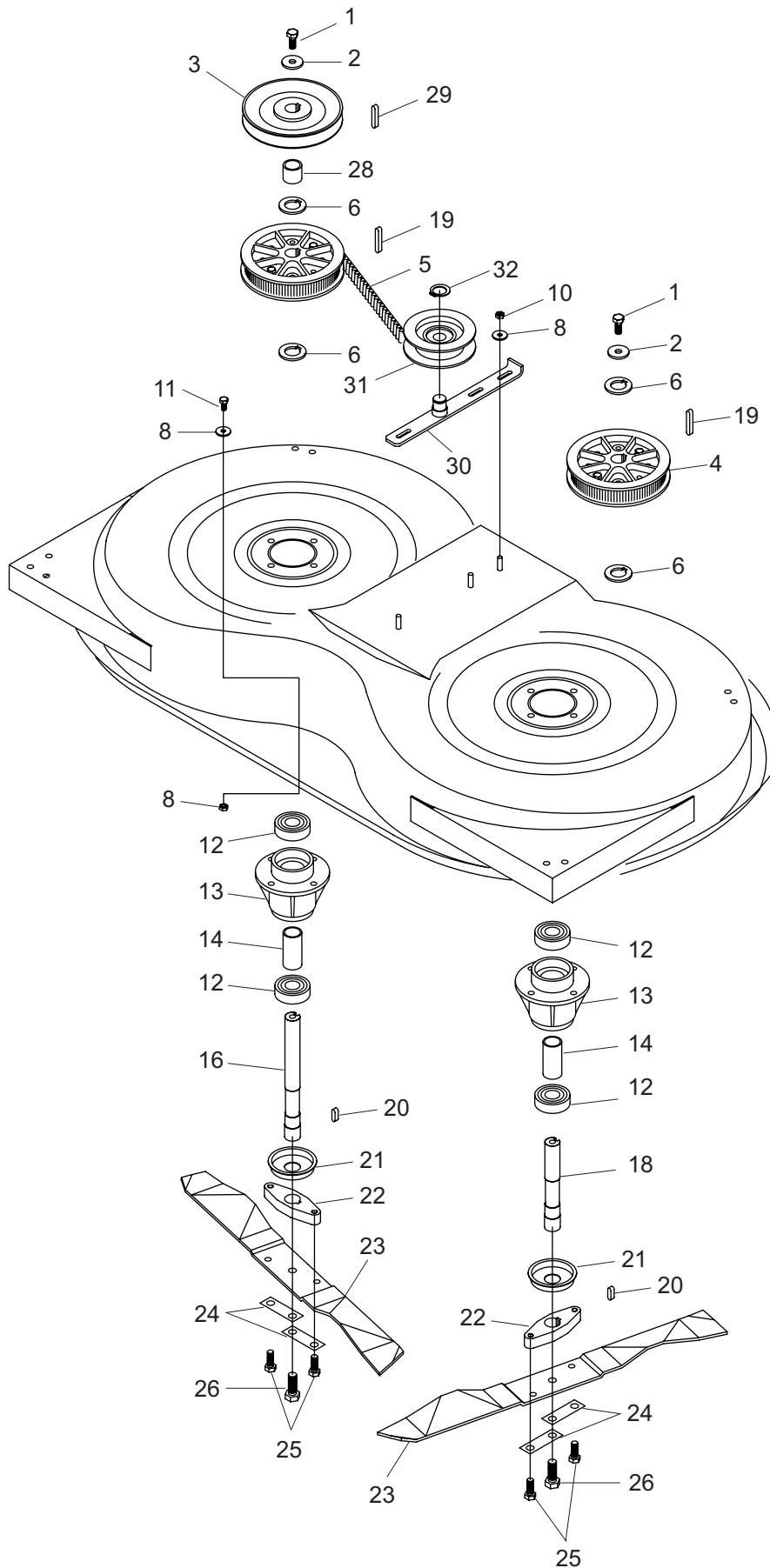
# CUTTER DECK 105/2 the spare parts I



DRAWING NR.	PART NR.	DESCRIPTION	QUANT.	NOTICE
I1	54L015-0004-0004	handle	1	
I2	54L034-0006-0001	height adjusting lever	1	
I3	54L001-1103-0620	bolt M6 x 20	1	
I4	54L001-1103-0825	bolt M8 x 25	3	
I5	54L001-1103-0820	bolt M8 x 20	3	
I6	54L021-0004-0003	height adjustm. quadrant	1	
I7	54L037-0008-0002	height indicator plate	1	
I8	54L003-1702-0064	washer 6,4	2	
I9	54L001-1103-0614	bolt M6 x 14	2	
I10	54L009-0001-0001	spacer	1	
I11	54L004-1492-0008	nut M8	1	
I12	54L008-0006-0002	pawl	1	
I13	54L004-1492-0006	nut M6	1	
I14	54L023-0001-0010	spring	1	
I15	54L008-0007-0002	locking key	1	
I16	54L030-0009-0005	control rod	1	
I17	54L015-0010-0001	locking knob	1	
I18	54L001-7985-0512	bolt M5 x 12	4	
I19	54L014-0004-0011	cover	1	
I21	54L041-0003-0001	eye cable	2	
I22	54L003-1702-0084	washer 8,4	32	
I23	54L001-0001-0008	bolt special	3	
I24	54L014-0004-0012	belt cover	1	
I25	54L004-1492-0008	nut M8	15	
I26	54L001-1103-0820	bolt M8 x 20	6	
I27	54L020-0001-0006	bracket right	1	
I28	54L020-0001-0005	bracket left	1	
I29	54L010-0001-0011	bush	1	
I30	54L001-1101-0835	bolt M8 x 35	4	
I31	54L009-0001-0002	spacer	2	
I32	54L037-0007-0002	pivot plate	2	
I33	54L005-0000-0005	push-on fastener	4	
I34	54L008-0013-0003	bar	2	
I35	54L020-0001-0007	bracket	2	
I36	54L030-0007-0005	tie rod	1	
I37	54L017-0005-0003	cutter deck	1	
I43	54L010-0001-0005	bush	2	
I44	54L010-0002-0003	bush	2	
I45	54L006-2930-0020	circlip 20	2	
I46	54L020-0000-0001	bracket	2	
I47	54L003-1702-0105	washer 10,5	8	
I48	54L015-0013-0001	casing wheel	2	
I49	54L001-1101-1090	bolt M10 x 90	2	
I50	54L004-1492-0010	nut M10	2	
I51	54L009-0002-0007	spacer	4	
I52	54L009-0001-0016	spacer	2	
I53	54L008-0012-0001	safety bolt	2	
I54	54L011-0915-0001	pin	2	
I55	54L001-1101-0120	bolt M10 x 120	2	
I56	54L015-0012-0001	guard roller	2	
I57	54L009-0001-0015	spacer	2	
I60	54L017-0003-0007	frame	1	
I61	54L020-0006-0005	adjusting bracket	2	
I62	54L011-0915-0003	pin	2	
I65	54L020-0001-0036	bracket right	1	
I66	54L020-0001-0037	bracket left	1	
I67	54L021-0000-0004	holder	1	
I68	54L030-0005-0004	tension rod	2	
I69	54L004-0001-0001	nut special	2	
I70	54L015-0003-0001	ballgrip	2	
I71	54L003-1727-0011	washer 11	4	
I72	54L008-0018-0002	peg	2	
I73	54L009-0001-0025	spacer	2	
I74	54L001-1101-1230	bolt M12 x 30	2	
I75	54L003-0001-0013	washer 13	4	
I76	54L004-0175-0012	nut M12	2	
I77	54L008-0002-0005	pillar	2	



# CUTTER DECK 105/2 the spare parts J





# CUTTER DECK 105/2 the spare parts J



DRAWING NR.	PART NR.	DESCRIPTION	QUANT.	NOTICE
J1	54L001-0073-0820	bolt M8 x 20	2	
J2	54L003-1727-0009	washer 9	2	
J3	54L027-0001-0016	belt pulley	1	
J4	54L027-0003-0003	toothed pulley	1	
J5	54L024-0002-0003	toothed belt	1	
J6	54L003-0001-0010	special washer	3	
J8	54L003-1702-0084	washer 8,4	11	
J10	54L004-1492-0008	nut M8	11	
J11	54L001-1103-0830	bolt M8 x 30	8	
J12	54L035-0000-0007	bearing	4	
J13	54L036-0002-0004	bearing housing	2	
J14	54L009-0001-0023	spacer	2	
J16	54L032-0002-0010	blade shaft	1	
J18	54L032-0002-0008	blade shaft	1	
J19	54L029-0000-6639	key 6 x 6 x 39	2	
J20	54L029-0000-6616	key 6 x 6 x 16	2	
J21	54L013-0003-0002	cover	2	
J22	54L021-0005-0003	blade holder	2	
J23	54L033-0000-0002	blade	2	
J24	54L037-0002-0001	safety plate	4	
J25	54L001-1103-0825	bolt M8 x 25	4	
J26	54L001-0073-1020	bolt M10 x 20	2	
J28	54L009-0001-0029	spacer	1	
J29	54L029-0000-6635	key 6 x 6 x 35	1	
J30	54L025-0000-0004	tensioner	1	
J31	54L027-0002-0001	tension pulley	1	
J32	54L006-2930-0012	circlip 12	1	
J12-J21	54L046-0005-0011	bearinghouse cpl. short	1	
J12-J21	54L046-0005-0014	bearinghouse cpl. the longest	1	



**NOTICE**

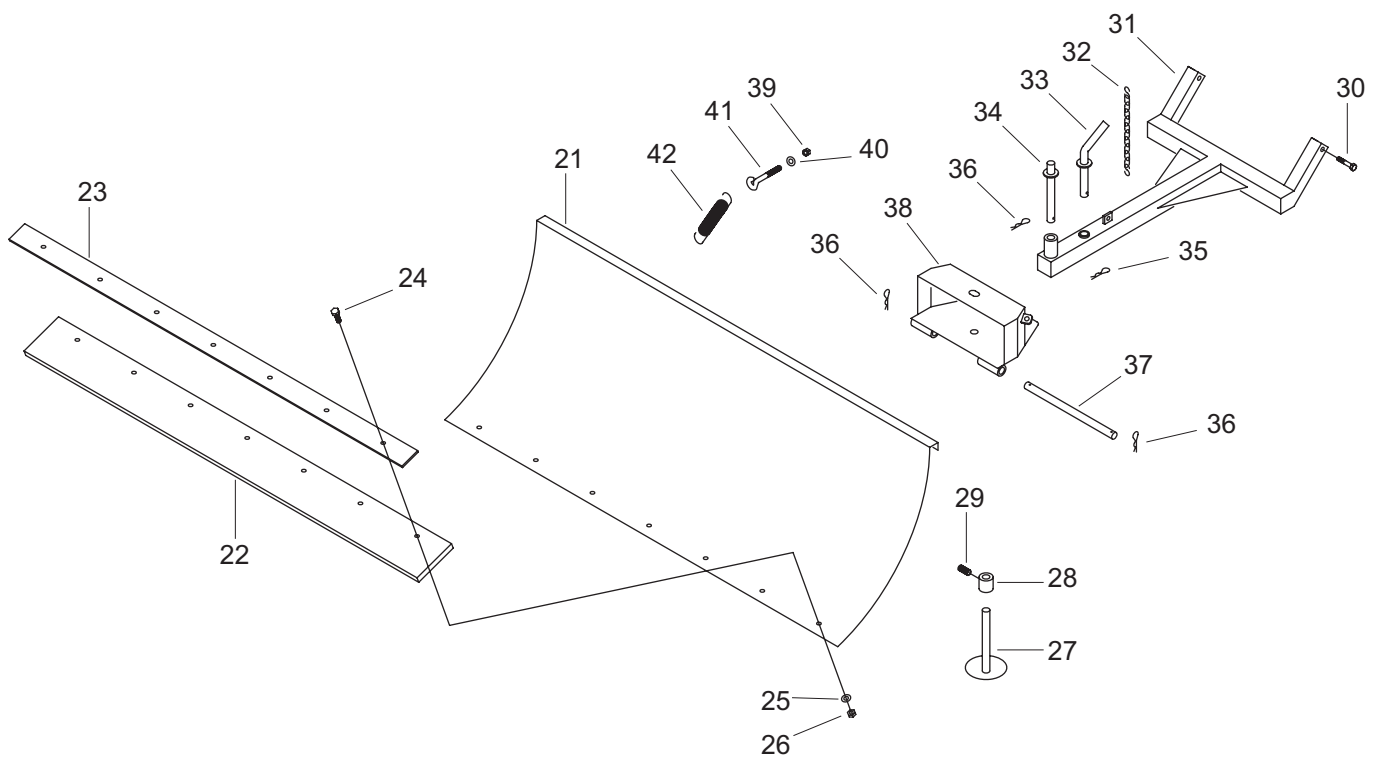
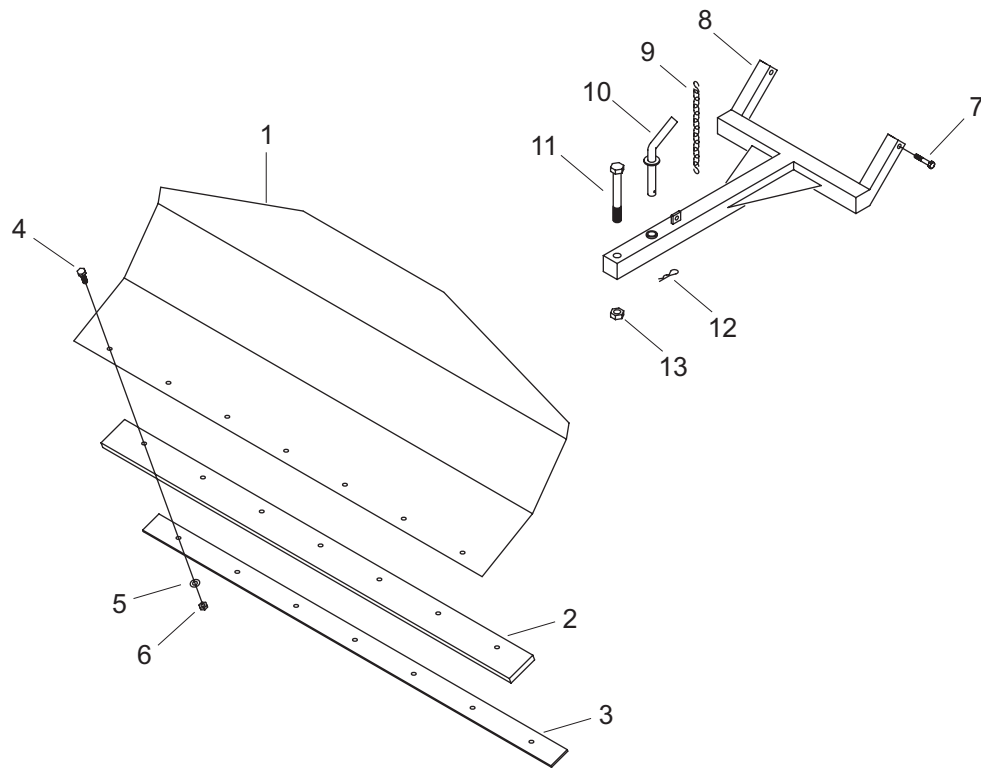
A large area of horizontal grey lines, serving as a template for text entry.



# ACCESSORIES

**the spare parts**

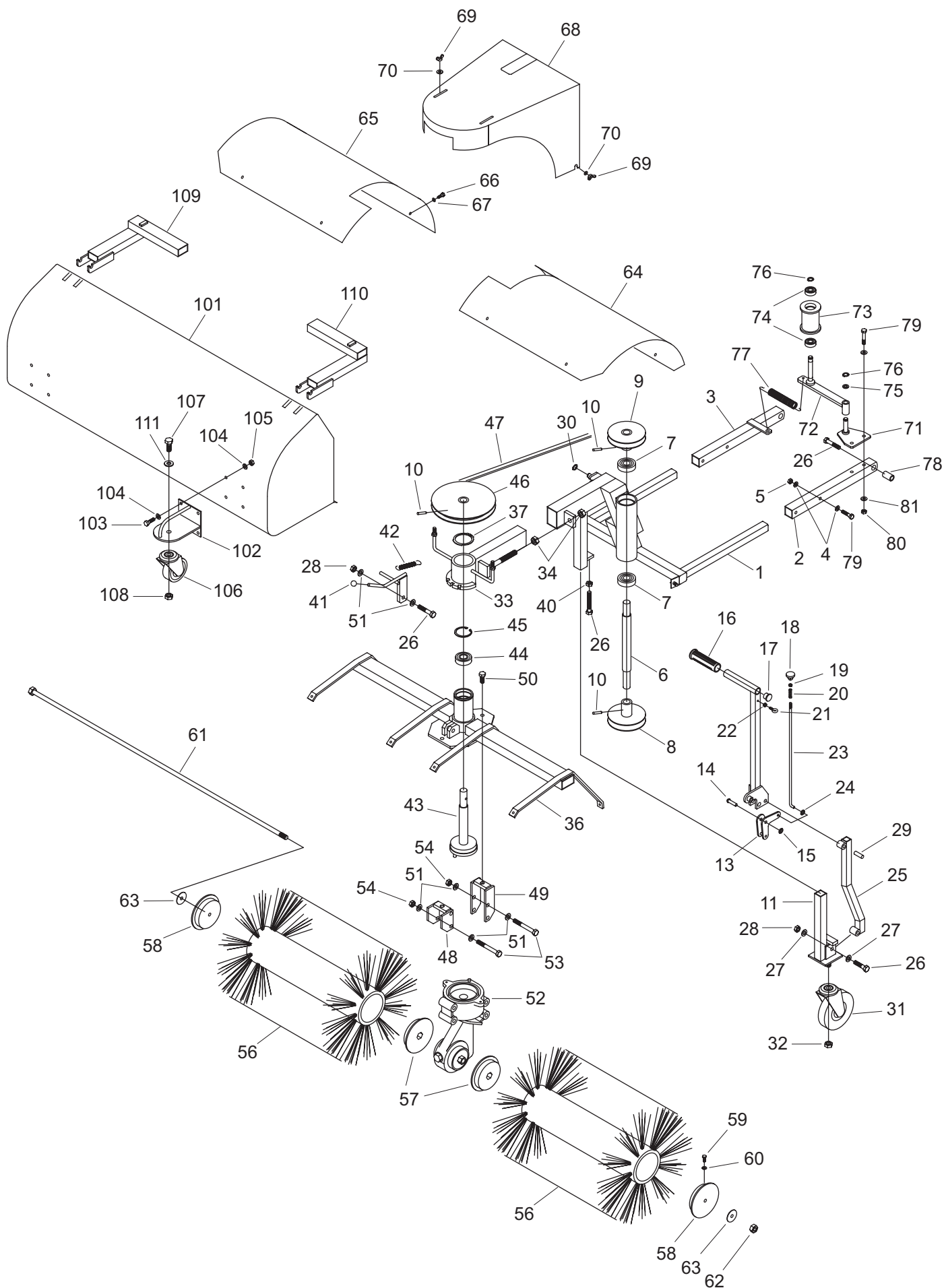






# SWEEPING BRUSH

the spare parts S





DRAWING NR.	PART NR.	DESCRIPTION	QUANT.	NOTICE
S1	54L021-0000-0008	holder	1	Rider 120, 125
S1	54L021-0000-0009	holder	1	Rider 140
S2	54L021-0012-0001	extension	1	Rider 120, 125
S2	54L021-0012-0002	extension	1	Rider 140
S3	54L021-0012-0003	extension	1	Rider 120, 125
S3	54L021-0012-0004	extension	1	Rider 140
S4	54L003-1702-0084	washer 8,4	8	
S5	54L004-1492-0008	nut M8	4	
S6	54L032-0001-0005	shaft	1	
S7	54L035-0000-0006	bearing	2	
S8	54L027-0001-0021	belt pulley	1	Rider 120, 125
S8	54L027-0001-0017	belt pulley	1	Rider 140
S9	54L027-0001-0022	belt pulley	1	
S10	54L011-2156-0636	pin 6 x 36	3	
S11	54L021-0007-0003	carrier	1	
S12	54L034-0005-0002	lift lever	1	
S13	54L020-0001-0003	bracket	1	
S14	54L011-0660-0880	roll pin 8 x 30	1	
S15	54L005-0000-0005	push-on fastener	1	
S16	54L015-0004-0003	handle	1	
S17	54L015-0002-0006	knob	1	
S18	54L015-0002-0005	knob	1	
S19	54L004-1401-0006	nut M6	1	
S20	54L023-0001-0009	spring	1	
S21	54L002-1006-0515	eyescrew M5 x 15	1	
S22	54L004-1403-0005	nut M5	1	
S23	54L030-0008-0001	push rod	1	
S24	54L005-0000-0001	push-on fastener	1	
S25	54L030-0001-0009	rod	1	
S26	54L001-1103-1055	bolt M10 x 55	4	
S27	54L003-1702-0010	washer 10,5	2	
S28	54L004-1492-0010	nut M10	2	
S29	54L011-2150-1035	locating pin 10 x 35	1	
S30	54L006-2930-0012	circlip 12	1	
S31	54L039-0001-0001	little wheel	1	
S32	54L004-1492-0012	nut M12	1	
S33	54L020-0008-0001	cottage	1	
S34	54L004-1401-0012	nut M12	2	
S36	54L021-0000-0010	holder	1	
S37	54L006-2930-0055	circlip 55	1	
S38	54L034-0001-0002	lever	1	
S40	54L004-1401-0010	nut M10	1	
S41	54L015-0003-0002	ballgrip	1	
S42	54L023-0001-0005	spring	1	
S43	54L032-0001-0006	shaft	1	
S44	54L035-0000-0007	bearing	1	
S45	54L006-2931-0047	circlip 47	1	
S46	54L027-0001-0023	belt pulley	1	
S47	54L024-0001-0007	V-belt	1	Rider 120, 125
S47	54L024-0001-0019	V-belt	1	Rider 140
S48	54L021-0000-0011	holder	1	
S49	54L021-0000-0012	holder	1	
S50	54L001-1103-1220	bolt M12 x 20	2	
S51	54L003-1702-0105	washer 10,5	10	
S52	54L016-0002-0005	gearbox	1	
S53	54L001-1103-1080	bolt M10 x 80	4	
S54	54L004-1492-0010	nut M10	4	
S56	54L047-0001-0001	brush roller	2	
S57	54L037-0010-0001	flange	2	
S58	54L037-0010-0002	flange	2	
S59	54L001-1103-0620	bolt M6 x 20	12	
S60	54L003-1745-0064	washer 6,4	12	
S61	54L030-0001-0010	rod	1	
S62	54L004-1492-0012	nut M12	1	
S63	54L003-1702-0013	washer 13	2	
S64	54L013-0003-0004	cover left	1	
S65	54L013-0003-0005	cover right	1	
S66	54L001-1103-0614	bolt M6 x 14	8	

# SWEEPING BRUSH

the spare parts S



DRAWING NR.	PART NR.	DESCRIPTION	QUANT.	NOTICE
S67	54L003-1745-0064	washer 6,4	8	
S68	54L013-0003-0006	cover	1	
S69	54L004-1665-0008	nut M8	4	
S70	54L003-1702-0084	washer 8,4	4	
S71	54L020-0001-0046	bracket	1	
S72	54L021-0000-0007	holder	1	
S73	54L027-0002-0008	tension pulley	1	
S74	54L035-0000-0005	bearing	2	
S75	54L003-0001-0001	special washer	1	
S76	54L006-2930-0012	circlip 12	2	
S77	54L023-0001-0004	spring	1	
S78	54L010-0001-0004	bush	2	
S79	54L001-1101-0850	bolt M8 x 50	4	
S80	54L004-1492-0008	nut M8	2	
S81	54L003-1702-0084	washer 8,4	2	
S101	54L017-0006-0001	dust catcher	1	
S102	54L021-0011-0001	wheel holder	2	
S103	54L001-1103-0816	bolt M8 x 16	8	
S104	54L003-1702-0084	washer 8,4	16	
S105	54L004-1492-0008	nut M8	8	
S106	54L039-0001-0002	little wheel	2	
S107	54L001-1103-1230	bolt M12 x 30	2	
S108	54L004-1492-0012	nut M12	2	
S109	54L020-0001-0048	bracket right	1	
S110	54L020-0001-0049	bracket left	1	
S111	54L003-1702-0013	washer 13	2	
S73-S74	54L046-0001-0002	tension pulley complete	1	





PART NR.	DESCRIPTION	QUANT.	NOTICE
54L045-0001-0001	wheel-weight	2	for Rider 120,130
54L045-0001-0002	wheel-weight	2	for Rider 140
54L045-0002-0001	snowplate	1	
54L045-0003-0001	snow chain	2	for Rider 120,130
54L045-0003-0002	snow chain	2	for Rider 140
54L045-0004-0001	brush	1	for Rider 120/85, 130/85 to series EE
54L045-0004-0003	brush	1	for Rider 130/105, 140
54L045-0004-0004	brush	1	for Rider 120/85, 130/85 from series FF
54L045-0004-0002	dirt collector	1	
54L045-0005-0001	cutter deck 85	1	for Rider 120,130 to series EE
54L045-0005-0002	cutter deck 85	1	for Rider 140 to EE 00009
54L045-0005-0004	cutter deck 85	1	for Rider 140 from series EE 00010
54L045-0005-0008	cutter deck 85	1	for R-120,130 from FF 00001 to FF 00100
54L045-0005-0009	cutter deck 85	1	for R-120,130 from FF 00101 to GG 00069
54L045-0005-0011	cutter deck 85	1	for Rider 140 from series FF
54L045-0005-0012	cutter deck 85	1	for R-120,130 from series GG 00070
54L045-0005-0003	cutter deck 105	1	to series EE 00009
54L045-0005-0005	cutter deck 105	1	for Rider 120, 130 from EE 00010 to EE
54L045-0005-0006	cutter deck 105	1	for R-140 from series EE 00010
54L045-0005-0007	cutter deck 105	1	for Rider 140 from series FF
54L045-0005-0010	cutter deck 105	1	for Rider 120, 130 from series FF
54L045-0005-0013	cutter deck 105/2	1	for Rider 140 from series FF
54L045-0006-0001	trailer	1	
54L045-0007-0001	sweeper 85 cm	1	
54L045-0007-0002	sweeper 105 cm	1	
54L045-0008-0001	drum mower	1	for Rider 120/85, 125/85 to series EE
54L045-0008-0002	drum mower	1	for Rider 120/85, 125/85 from series FF
54L045-0008-0003	drum mower	1	for Rider 130/105 from series EE 00018
54L045-0008-0004	drum mower	1	for Rider 140 from series EE 00010

PART NR.	DESCRIPTION	QUANT.	NOTICE
54L044-0001-0001	wooden palette	1	for Rider 120,130
54L044-0001-0002	wooden palette	1	for Rider 140
54L044-0002-0001	box	1	for Rider 120,130
54L044-0002-0002	box	1	for Rider 140
54L044-0003-0001	cover box	1	for Rider 120,130
54L044-0003-0002	cover box	1	for Rider 140
54L044-0004-0001	box cutter deck	1	for 85 cm
54L044-0004-0002	box cutter deck	1	for 105 cm
54L044-0005-0001	sticker	1	
54L044-0006-0005	spare parts book	1	
54L044-0007-0001	sticker steering wheel	1	
54L044-0008-0001	bottle of acid	2	
54L044-0009-0001	funnel	1	
54L044-0001-0001	oil	1	1 liter



**NOTICE**

A large rectangular area filled with horizontal grey lines, intended for writing or printing text.



