

46 V Art. 4044
46 VD Art. 4046

46 VDA Art. 4047
51 VDA Art. 4051

D Betriebsanleitung
Benzin-Rasenmäher

GB Operating Instructions
Petrol Lawnmower

F Mode d'emploi
Tondeuse thermique

NL Gebruiksaanwijzing
Benzine grasmaaier

S Bruksanvisning
Bensindriven Gräsklippare

DK Brugsanvisning
Benzinplæneklipper

FI Käyttöohje
Bensiinikäyttöinen ruohonleikkuri

N Bruksanvisning
Bensindrevet Gressklipper

I Istruzioni per l'uso
Rasaerba a scoppio

E Instrucciones de empleo
Cortacésped de gasolina

P Manual de instruções
Máquina de cortar relva a gasolina

PL Instrukcja obsługi
Kosiarka spalinowa

H Használati utasítás
Benzines fűnyíró

CZ Návod k obsluze
Benzínová sekačka na trávu

SK Návod na obsluhu
Benzínová kosačka

GARDENA Petrol Lawnmower

46 V / 46 VD / 46 VDA / 51 VDA



Translation of the original German operating instructions.
Please read these operating instructions carefully and observe the notes given. Use these operating instructions to familiarise yourself with the correct usage and safety instructions for the Petrol Lawnmower.



For safety reason children and young people under 16 and people who have not read these operating instructions must not use this Petrol Lawnmower. People with limited physical or mental capacities may only use the product if they are supervised or instructed by a responsible person.

→ Please keep these operating instructions in a safe place.

Contents:

1. Range of use for your GARDENA Petrol Lawnmower	16
2. Safety Instructions	17
3. Function	18
4. Assembly	19
5. Operation	20
6. Putting out of Operation	23
7. Maintenance	23
8. Trouble-Shooting	25
9. Technical Data	27
10. Service / Warranty	28

1. Range of use for your GARDENA Petrol Lawnmower

Purpose:

The GARDENA petrol lawnmower is designed for cutting lawns in and around the garden. Do not use the mower on a slope steeper than 10° maximum.

Please note:



Warning! For environmental and transport safety reasons the petrol lawnmower is supplied without motor oil. Therefore, the crankcase of the engine must be filled with motor oil prior to use (see 7. Maintenance), otherwise the engine will be damaged!

To prevent injury, the lawnmower must not be used for trimming bushes, hedges, shrubs, for cutting and pruning of climbers or grass on roofs or in balcony boxes. In addition, the lawnmower must not be used for chopping up branches, twigs or for levelling irregularities in the soil.

2. Safety Instructions

→ Please read the notes on safety on the petrol lawnmower.



Warning!

→ Please read the operating instructions before using the mower!



Danger!

Risk of injury!

→ Keep bystanders away!



Danger!

Danger of injury from the blade bar!

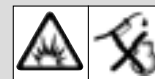
→ Keep fingers and feet away from sharp cutting tool!



DANGER!

Danger of asphyxiation from breathing in poisonous gases!

→ The mower must not be used in closed or poorly ventilated areas.



RISK OF EXPLOSION!

→ Do not fill with fuel with the engine running!



DANGER OF COMBUSTION!

Engine is hot!



Warning!

→ Before working on the blade bar remove spark plug connector. See the enclosed engine operating instructions!

Check each time you use the mower:

Before using, always visually inspect to see that the blades, blade bolts and cutter assembly are not worn or damaged. Replace worn or damaged blades and bolts in sets to preserve balance. Never operate the lawnmower with defective guards, or without safety devices, for example deflectors and/or grass catchers, in place. Replace damaged or worn parts. Never disable safety devices.

Keep all nuts, bolts and screws tight to be sure the equipment is in safe working condition.

Check the grass to be cut before you start work. Remove any foreign bodies present (e. g. stones, branches).

The blade bar must be regularly checked for damage and if necessary repaired properly.

When doing this life the mower up at the front so that no petrol / oil gets into the air filter or exhaust.

Operation:

This petrol lawnmower can cause serious injuries! You are responsible for the safety of the working area.

Walk, never run.

Do not tilt the lawnmower when starting the engine or switching on the motor, except if the lawnmower has to be tilted for starting.

In this case, do not tilt it more than absolutely necessary and lift only the part which is away from the operator. Do not tip the mower over to the side when mowing.

Do not start the engine when standing in front of the discharge chute.

Never lift or carry the mower with the engine running.

Only use the mower for the purposes outlined in the operating instructions.

Wear sturdy shoes and long trousers to protect your legs. Keep fingers and feet away from the blade bar and the ejection chute!

Make sure you always take up a safe and stable stance whilst working, especially on slopes.

Be particularly careful if you change direction on a slope.

For wheeled rotary machines, mow across the face of slopes, never up and down.

Be careful when going backwards. Risk of stumbling!

Look out for foreign bodies when working (e. g. stones).

Interruptions of work:

Do not leave the mower unattended in the workplace. Should you stop working store the mower in a safe place.

→ Remove the spark plug connector!

Should you stop work to go to work somewhere else with the mower, be sure to switch the mower off while you are going there.

Environmental influences:

Only work when visibility is good.

Familiarise yourself with the surroundings of your working area. Check for possible risks which might be not audible due to the noise of the machine.

Make sure that there are no other people (especially children) or animals anywhere near the working area.

Stop the engine and disconnect the spark plug wire, make sure that all moving parts have come to a complete Stop and, where a key is fitted remove the key: after striking a foreign object. Inspect the lawnmower for damage and make repairs before restarting and operating the lawnmower.

Never use the mower when it is raining or in damp or wet conditions.

Please observe any local restrictions or noise levels.

Petrol engine notes:

Warning! Fuel is highly inflammable. Fuel must be stored only in containers authorised for the purpose. The fuel must be filled only outdoors; do not smoke during filling. Fill with petrol prior to use; the petrol cap must not be removed and no petrol may be added if the engine is running or is hot. If petrol is spilled during filling, the engine must not be started until the spilled petrol has been wiped up and the mower has been removed from the area where the fuel

was spilled. You must not attempt to start the engine until the petrol vapours have dissipated. To avoid the danger of fire, keep the engine and exhaust free from grass, leaves, grease or oil and away from combustible materials.

There is danger of carbon monoxide poisoning. Do not let the engine run in closed spaces.

When filling with petrol and oil, ensure that no foreign bodies (e. g. grass) get into the engine.

Always check the oil level before mowing.

For security reasons, replace the tank lid if damaged.

Never store a mower with fuel in the tank in a room where petrol fumes could come into contact with an open flame.

If the fuel tank has to be drained, this should be done outdoors.

Reduce the throttle setting during engine shut down and, if the engine is provided with a shut-off valve, turn the fuel off at the conclusion of mowing.

Do not change the engine governor settings or overspeed the engine.

→ Follow the enclosed engine operating instructions.

3. Function

Mowing tips:

If grass residue is left in the discharge opening, pull mower backwards about 1 m so that the grass residue can drop out downwards.

To produce a well-maintained lawn, we recommend cutting the lawn regularly once a week if possible. The lawn becomes thicker if cut frequently.

After relatively long intervals between mowing (**holiday lawn**), first of all cut in one direction with the cutting height as high as possible, then cut in the crosswise direction at the cutting height required.

If possible, only cut the grass when it is dry, if the grass is damp, the cutting pattern will be uneven.

Mulching tips:

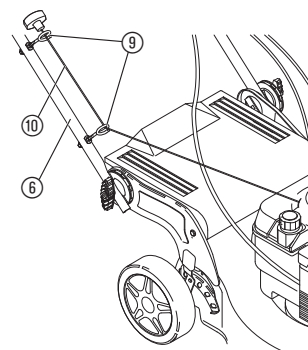
You will achieve the best mulching results by cutting the grass regularly once or twice a week depending on the amount the grass has grown.

For mulching the grass must be mown no more than 1/3 of its height. The cut height must be set at 4 cm at least (for very dense grass the cut height may have to be set higher).

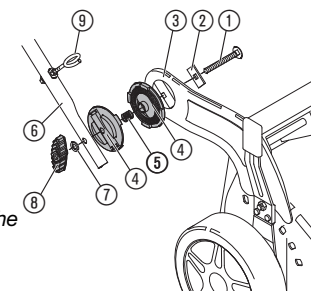
So that the grass mulch can rot down properly, mulch when the grass is as dry as possible. Mulching is not recommended for lawns with a great deal of moss or very matted grass. The moss and weeds must be removed by scarifying.

4. Assembly

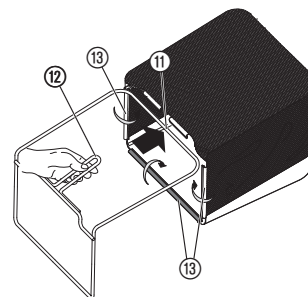
Fitting the handle:



1. Push the screw ① with the square washer ② through the hole in the handle ③.
2. Put the handle lock ④ with spring ⑤, handle ⑥ and round washer ⑦ on the screw ① and tighten with the wing nut ⑧. *When doing this the eyes ⑨ must be on the same side as the starter cord ⑩.*
3. Thread the starter cord ⑩ through the two eyes ⑨ on the handle ⑥.

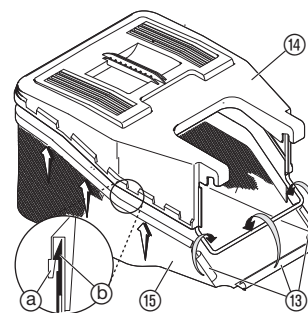


Fitting the collection bag (44 V / 46 VD / 46 VDA):



1. Feed the bow-shaped handle ⑪ into the Collecting Bag so that the handle ⑫ is on the top.
2. Fold the safety straps ⑬ around the handle ⑪.

Fitting the collection bag (51 VDA):



1. Place the collection bag cover ⑭ onto the collecting bag ⑮ from the top so that **ALL** the eyes ① are positioned over the hook ②.
2. Push the Collecting Bag cover ⑭ down onto the collecting bag ⑮ until all hooks ③ engage securely.
3. Fold the safety straps ⑬ around the handle.

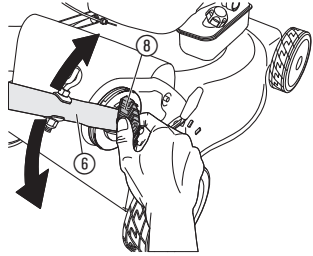
5. Operation



DANGER!

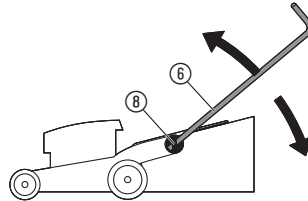
Danger of physical injury from the blade bar!
 → Before making any adjustments wait for the blade bar to stop, put on suitable working gloves and remove the spark plug connector.

Adjust the handle inclination:

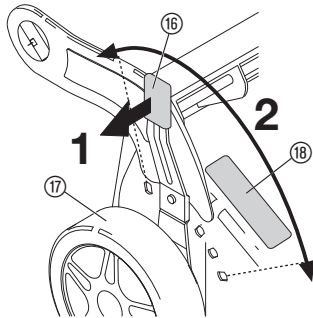


The handle can be set to any body size by setting the angle of inclination.

1. Undo both wing nuts (8) until the handle (6) can be inclined.
2. Set the required handle inclination.
3. Tighten both wing nuts (8).



Setting the cut height:



The cut height can be set centrally in six stages.

46 V / 46 VD: 30 / 40 / 50 / 60 / 70 / 80 mm

46 VDA / 51 VDA: 25 / 35 / 45 / 65 / 75 / 95 mm

1. Pull the handle (16) towards the wheel (17) until the lock is released.
2. Set the required cut height by rotating the handle (16).
The cut height set will be shown in mm on the cut height display (18) on the mower.
3. When the cut height has been selected engage the handle (16) in the appropriate locking position again.

Mowing with mulch unit:



DANGER!

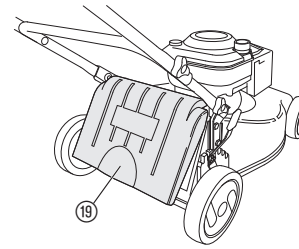
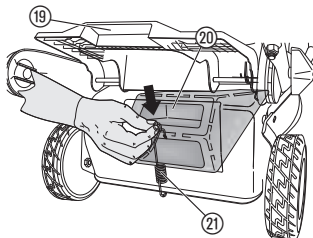
Foreign bodies thrown out of the mower can cause injuries!
 → Only lift the protective flap (19) when the engine is turned off and the blade bar has stopped.

Inserting mulch unit:

1. Lift protective flap (19) and push the mulch unit (20) into the ejection chute until it stops.
2. Fit the retaining spring (21) to the top of the mulch unit (20) and the bottom of the housing.
This stops the mulch unit (20) falling out.

Removing the mulch unit:

→ Lift the protective flap (19), unhook the retaining spring (21) from the housing and remove the mulch unit (20).



Do not grasp the ejection chute with your hand.

If the protective flap (19) is released it will close automatically and cover the ejection chute.

The protective flap (19) is designed in such a way that mowing can take place even if the protective flap is closed without the mulch unit or Collecting Bag. The cuttings are then left on the lawn.

Mowing with the collection bag:



DANGER!

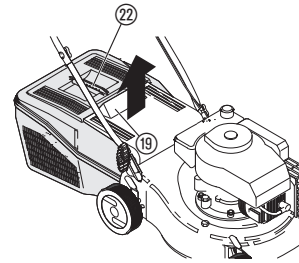
Foreign bodies thrown out of the mower can cause injuries!

→ Only lift the protective flap (19) when the engine is turned off and the blade bar has stopped.

The mulch unit must be removed before mowing with the collection bag (see Mowing with mulch unit).

The collecting bag must be emptied as soon as grass cuttings are left on the lawn while mowing.

1. Lift the protective flap (19) and remove the grass collection bag (22) from the handle.
2. Empty the grass collection bag (22), lift up the protective flap (19) and replace the grass collection bag (22) at the back of the housing.



Starting the mower:



DANGER !

Danger of physical injury if the mower does not switch off automatically!

→ The security devices fitted to the mower (safety switch, drive lever) must not be removed or bypassed.



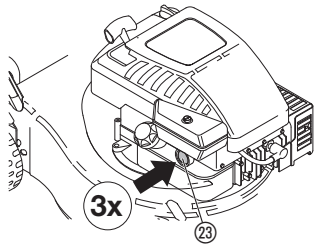
ATTENTION!

Damage to the engine!

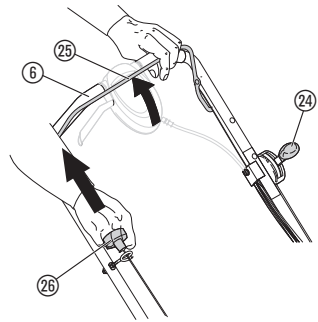
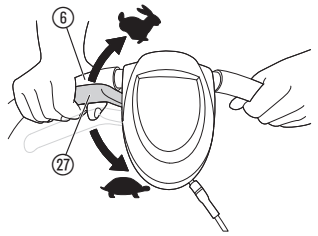
The engine must be filled with oil before starting.

→ See 7. Maintenance for instructions on filling the engine with oil.

The drive handle / lever must not be removed from the handle when starting.



46 V / 46 VD

**Mowing with traction drive:**

46 VDA / 51 VDA

Starting the mower:

The engine must be filled with petrol (see 7. Maintenance "Filling engine with petrol").

1. Place the mower on a level spot on the lawn.
2. **Only with a cold engine:**
46 V / 46 VD: Press the primer (23) 3 times.
46 VDA / 51 VDA: Set the rotary lever (24) to "Choke".
3. Pull the switch up (25) to the handle (6) and then pull the start cord (26) through vigorously.
4. After starting the engine feed the starter cord (26) back slowly (if necessary repeat steps 3. and 4.).
5. **46 VDA / 51 VDA:** Set the rotary lever (24) to the required engine speed.
6. Only push the mower forwards at walking pace.

Starting the mower with a warm engine:

- **46 V / 46 VD:** Do not press the primer (23).
46 VDA / 51 VDA: Set the rotary lever (24) to **max. speed.**

Switching the mower off:

- Release the switch (25).

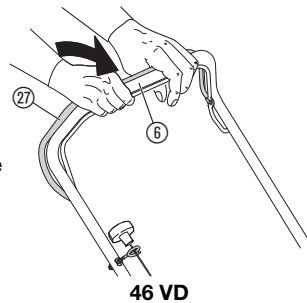
46 VD has a single gear rear wheel drive. 46 VDA / 51 VDA has a variable rear wheel drive to adjust to your personal walking speed.

Starting the traction drive:

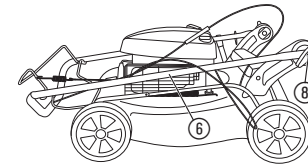
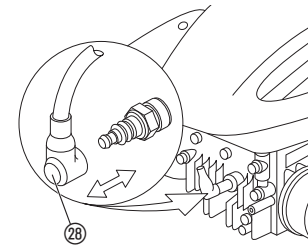
1. Start the mower.
2. **46 VD:** Pull the drive handle (27) down to the handle (6).
ATTENTION! The mower will start immediately.
46 VDA / 51 VDA: Pull the drive lever (27) to the handle (6).
The further the drive lever is pulled the faster the traction drive.

To switch the traction drive off:

- Release the drive switch / lever (27).



46 VD

6. Putting out of Operation**Storing / transporting the mower:**

The storage location must not be accessible to children.

Let the engine cool down before you store the mower in a closed area. With engines that have are not to be used for more than 30 days first of all empty the petrol tank, soak up the remaining petrol with a lint free cloth and then let the engine run until it stops because it has run out of fuel.

1. Switch off the mower and remove the spark plug connector (28) (see enclosed engine operating instructions).
2. To save space undo both wing nuts (8) until the handle can be bent and fold the handle (6) forward.
3. Store mower in a dry, enclosed and secure place.

Disposal:

The product must not be added to normal household waste. It must be disposed of properly.

1. Empty the petrol tank (see above).
2. Empty the engine oil tank (see enclosed engine operating instructions).

7. Maintenance**DANGER!**

Danger of physical injury from the blade bar.

- Before any maintenance work wait until the blade bar has stopped, wear suitable working gloves and remove the spark plug connector (see enclosed engine operating instructions).

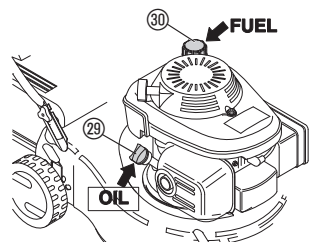
**DANGER!**

Injury to persons and damage to property!

- Do not clean the mower, the mulch unit and the Collecting Bag under high pressure.

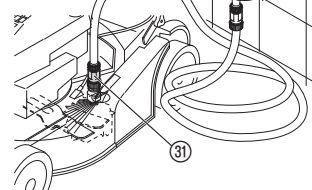
If the lawnmower needs to be tilted for cleaning then it may only be lifted in the front and at the handlebar. (If the lawnmower is tilted to the side then fuel or oil may enter the exhaust or air filter and damage the motor).

Filling the engine with engine oil:



46 VDA / 51 VDA

Filling the engine with petrol:



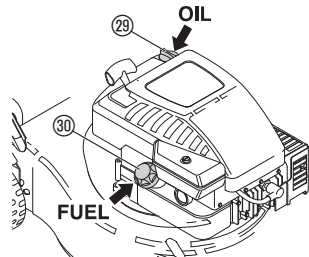
Cleaning the collecting bag:

Cleaning the mulch unit:

ATTENTION!
Damage to the engine!
 → The engine must be filled with oil before starting.

See the enclosed engine operating instructions.

1. Unscrew the oil cap (29).
2. Fill with approx. 0.6 l engine oil (SAE 30) (OIL).
3. Screw the oil cap (29) on again.



46 V / 51 VD

See the enclosed engine operating instructions.

1. Undo the petrol cap (30).
2. Fill with petrol (at least 87 octane) (FUEL).
3. Do the petrol cap (30) up again.

For further engine maintenance instructions see the enclosed engine operating instructions.

Deposits make the starting process difficult, impair the quality of the cut and the discharge of the grass. Dirt and grass residues are easiest to remove immediately after mowing. The bottom should be cleaned on the grass to avoid getting the ground dirty.

1. Remove the mulch unit / collecting bag.
2. Fit the hose connection (31) to the mower and turn the tap on.
3. Start the mower and switch off again after about 30 seconds.
The rotating blade bar throws the water onto the bottom of the mower and thus cleans it.
4. Turn off the tap and remove the hose connection (31).
5. Clean the top with a cloth (do not use any sharp objects).

The collecting bag must be checked regularly for damage.

→ Remove grass deposits from inside and outside the collecting bag at every mowing (do not use sharp objects).

→ Immediately after mulching remove dirt and grass remains from the mulch unit (do not use any sharp objects).

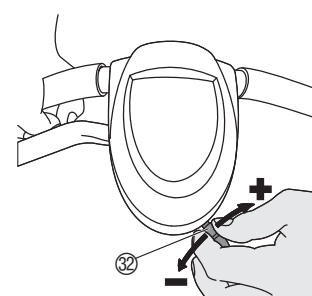
8. Trouble-Shooting

DANGER!
Danger of physical injury from the blade bar!
 → Before remedying faults wait for the blade bar to stop, wear suitable working gloves and remove the spark plug connector (see enclosed engine operating instructions).

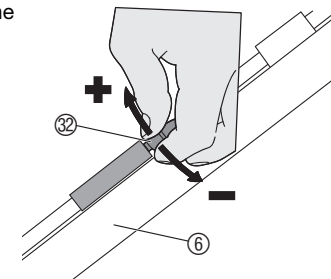
If the Bowden cable of the drive has moved due to wear, it can be adjusted.

→ Turn the adjusting nut (32) in the relevant direction (+/-).

46 VDA / 51 VDA:
 The adjusting nut is located on the left-hand handle (6).



46 VDA / 51 VDA

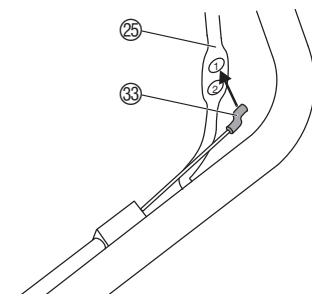


46 V

Adjust Bowden cable of the switch handle:

46 VDA / 51 VDA:
 If the Bowden cable of the switch handle (25) has moved due to wear, it can be adjusted.

1. Detach attachment hook (33).
2. Insert attachment hook (33) into hole 1 of the switch handle (25).



46 VDA / 51 VDA

Replacing the blade bar:

A damaged or bent blade bar or a blade bar with broken off edges must be replaced because of the imbalance this causes. For imbalance reasons the blade bar must not be re-ground.

Blade bars must only be replaced by GARDENA service department or by an authorised GARDENA dealer.

Only original GARDENA Blade Bars with original fixing must be used. Spare GARDENA parts can be obtained from your GARDENA dealer or the GARDENA service department.

- **46 V / 46 VD / 46 VDA:** **GARDENA Blade Bar Art. 531211017**
- **51 VDA:** **GARDENA Blade Bar Art. 504113301**

Fault	Possible cause	Remedy
Engine does not start.	Petrol tank empty.	→ Fill with petrol.
	Wrong engine setting.	→ See 5. Operation "Starting the mower with a warm engine".
	Spark plug connector not inserted / spark plug faulty.	→ Insert spark plug connector/clean or replace spark plug (Champion RJ 19 LM Art. 4012-00.901.01).
	Cutting height too low for the lawn or mowing speed too high.	→ Raise cutting height or reduce mowing speed.
Motor does not start.	Bowden cable of the switch handle has moved due to wear.	→ Adjust Bowden cable of the switch handle.
After an initial warm-up phase, the motor starts only with difficulty or not at all.	Too much oil in the motor, spark plug is coked by excessive oil quantity.	→ Release excessive oil following the instructions for the motor and clean the spark plug.
Drive does not start.	Bowden cable of the drive has moved due to wear.	→ Adjust Bowden cable of the drive.
Engine runs for a short time but then suddenly stops with a loud bang.	No motor oil in crankcase. Piston and crankshaft bearings have jammed.	→ Have the engine serviced by GARDENA Service.
A lot of engine smoke after starting.	Oil in the exhaust because the mower has been tipped sideways.	→ Let the engine run for about 3 min. until the oil has evaporated.
Loud noises, mower rattling.	Screws on motor, its fixing or on the mower casing loose.	→ Have screws tightened by an authorised specialist dealer or GARDENA Service.
Runs unevenly, mower vibrates strongly.	Blade Bar damage or blade fixing on the engine shaft has come loose.	→ Have the blade bar tightened again or replaced by an authorised dealer or GARDENA Service.
	Imbalance resulting from very dirty blade bar.	→ Clean mower (see 7. Maintenance). If this does not rectify the fault, contact GARDENA Service.

Fault	Possible cause	Remedy
Lawn is not cleanly cut.	Blade bar blunt.	→ Have the blade bar replaced.
	Cutting height too low for the lawn or mowing speed too high.	→ Raise cutting height or reduce mowing speed.



For any other malfunctions please contact the **GARDENA service department**. Repairs must only be carried out by **GARDENA service departments or specialist dealers authorised by GARDENA**.

9. Technical Data

	46 V (Art. 4044)	46 VD (Art. 4046)	46 VDA (Art. 4047)	51 VDA (Art. 4051)
Engine (cubic capacity)	Briggs & Stratton 450 (148 cm ³)	Briggs & Stratton 550 (158 cm ³)	Briggs & Stratton 675 ready start (190 cm ³)	Briggs & Stratton 675 ready start (190 cm ³)
Wheel drive	-	1 gear rear wheel	variable rear wheel	variable rear wheel
Engine oil (tank volume)	SAE 30 (0,6 l)	SAE 30 (0,6 l)	SAE 30 (0,6 l)	SAE 30 (0,6 l)
Petrol	unleaded petrol (min. 87 octane)	unleaded petrol (min. 87 octane)	unleaded petrol (min. 87 octane)	unleaded petrol (min. 87 octane)
Cutting width	46 cm	46 cm	46 cm	51 cm
Cutting height	30 / 40 / 50 / 60 / 70 / 80 mm	30 / 40 / 50 / 60 / 70 / 80 mm	25 / 35 / 45 / 65 / 75 / 95 mm	25 / 35 / 45 / 65 / 75 / 95 mm
Height adjustment	central 6 x	central 6 x	central 6 x	central 6 x
Wheel sizes	190 / 210 mm	190 / 210 mm	190 / 280 mm	190 / 280 mm
Wheel bearing	ball bearing	ball bearing	ball bearing	ball bearing
Mulch function	incl. unit	incl. unit	incl. unit	incl. unit
Collection Bag volume	53 l	53 l	53 l	60 l
Weight	29,9 kg	32,1 kg	34,3 kg	37,5 kg
For lawn areas	up to approx. 500 m ²	up to approx. 800 m ²	up to approx. 800 m ²	up to approx. 1000 m ²
Water connection (cleaning)	Original GARDENA hose connection system			
Working area related emission characteristic value L_{PA}¹⁾	84 dB (A)	84 dB (A)	84 dB (A)	84 dB (A)
Noise level L_{WA}²⁾ measured / guaranteed	measured 95 dB (A) guaranteed 96 dB (A)	measured 95 dB (A) guaranteed 96 dB (A)	measured 95 dB (A) guaranteed 96 dB (A)	measured 97 dB (A) guaranteed 98 dB (A)
Vibrations a_{vhw}¹⁾	< 5,0 m/s ²	< 5,0 m/s ²	< 5,0 m/s ²	< 5,0 m/s ²

Measuring method ¹⁾ EN 836 ²⁾ 2000/14/EG

10. Service / Warranty

GARDENA guarantees this product for 2 years (from date of purchase). This guarantee covers all serious defects of the unit that can be proved to be material or manufacturing faults. Under warranty we will either replace the unit or repair it free of charge if the following conditions apply:

- The unit must have been handled properly and in keeping with the requirements of the Operating Instructions.
- Neither the purchaser or a non-authorised third party have attempted to repair the unit.

The blade bar, spark plug and air filter are consumables and are not included in the guarantee.

This manufacturer's guarantee does not affect the user's existing warranty claims against the dealer / seller.

For servicing please contact an authorised GARDENA Workshop or GARDENA Service.

<p>D Produkthaftung Wir weisen ausdrücklich darauf hin, dass wir nach dem Produkthaftungsgesetz nicht für durch unsere Geräte hervorgerufene Schäden einzustehen haben, sofern diese durch unsachgemäße Reparatur verursacht oder bei einem Teileaustausch nicht unsere originale GARDENA Teile oder von uns freigegebene Teile verwendet wurden und die Reparatur nicht vom GARDENA Service oder dem autorisierten Fachmann durchgeführt wird. Entsprechendes gilt für Ergänzungsstücke und Zubehör.</p>
<p>GB Product Liability We expressly point out that, in accordance with the product liability law, we are not liable for any damage caused by our units if it is due to improper repair or if parts exchanged are not original GARDENA parts or parts approved by us, and, if the repairs were not carried out by a GARDENA Service Centre or an authorised specialist. The same applies to spare parts and accessories.</p>
<p>F Responsabilité Nous vous signalons expressément que GARDENA n'est pas responsable des dommages causés par ses appareils, dans la mesure où ces dommages seraient causés suite à une réparation non conforme, dans la mesure où, lors d'un échange de pièces, les pièces d'origine GARDENA n'auraient pas été utilisées, ou si la réparation n'a pas été effectuée par le Service Après-Vente GARDENA ou l'un des Centres SAV agréés GARDENA. Ceci est également valable pour tout ajout de pièces et d'accessoires autres que ceux préconisés par GARDENA.</p>
<p>NL Productaansprakelijkheid Wij wijzen er nadrukkelijk op, dat wij op grond van de wet aansprakelijkheid voor producten niet aansprakelijk zijn voor schade ontstaan door onze apparaten, indien deze door onvakkundige reparatie veroorzaakt zijn, of er bij het uitwisselen van onderdelen geen gebruik gemaakt werd van onze originele GARDENA onderdelen of door ons vrijgegeven onderdelen en de reparatie niet door de GARDENA technische dienst of de bevoegde vakman uitgevoerd werd. Ditzelfde geldt voor extra-onderdelen en accessoires.</p>
<p>S Produktansvar Tillverkaren är inte ansvarig för skada som orsakats av produkten om skadan beror på att produkten har reparerats felaktigt eller om, vid reparation eller utbyte, andra än Original GARDENA reservdelar har använts. Samma sak gäller för kompletteringsdelar och tillbehör.</p>
<p>DK Produktansvar Vi gør udtrykkeligt opmærksom på, at vi i henhold til produktansvarsloven ikke er ansvarlige for skader forårsaget af vores udstyr, såfremt det sker på grund af uautoriserede reparationer eller hvis dele er skiftet ud og der ikke er anvendt originale GARDENA dele eller dele godkendt af os, eller hvis reparationerne ikke er udført af GARDENA-service eller en autoriseret fagmand. Det samme gælder for ekstra udstyr og tilbehør.</p>
<p>FI Tuotevastuu Korostamme nimenomaan, että tuotevastuulain nojalla emme ole vastuussa laitteistamme johtuneista vahingoista, mikäli nämä ovat aiheutuneet epäasianmukaisesta korjauksesta tai osia vaihdettaessa ei ole käytetty alkuperäisiä GARDENA-varaosia tai hyväksymiämme osia ja korjauksen on suorittanut muu kuin GARDENA-huoltokeskus tai valtuuttamamme ammattihenkilö. Tämä pätee myös lisäosiin ja lisävarusteisiin.</p>
<p>I Responsabilità del prodotto Si rende espressamente noto che, conformemente alla legislazione sulla responsabilità del prodotto, non si risponde di danni causati da nostri articoli se originati da riparazioni eseguite non correttamente o da sostituzioni di parti effettuate con materiale non originale GARDENA o comunque da noi non approvato e, in ogni caso, qualora l'intervento non venga eseguito da un centro assistenza GARDENA o da personale specializzato autorizzato. Lo stesso vale per le parti complementari e gli accessori.</p>
<p>E Responsabilidad de productos Advertimos que conforme a la ley de responsabilidad de productos no nos responsabilizamos de daños causados por nuestros aparatos, siempre y cuando dichos daños hayan sido originados por arreglos o reparaciones indebidas, por recambios con piezas que no sean piezas originales GARDENA o bien piezas no autorizadas por nosotros, así como en aquellos casos en que la reparación no haya sido efectuada por un Servicio Técnico GARDENA o por un técnico autorizado. Lo mismo es aplicable para las piezas complementarias y accesorios.</p>
<p>P Responsabilidade sobre o produto Queremos salientar que segundo a lei da responsabilidade do fabricante, nós não nos responsabilizaremos por danos causados pelo nosso equipamento, quando estes ocorrerem em decorrência de reparações inadequadas ou da substituição de peças por peças não originais da GARDENA, ou peças não autorizadas. A responsabilidade tornar-se-á nula também depois de reparações realizadas por oficinas não autorizadas pela GARDENA. Esta restrição valerá também para peças adicionais e acessórios.</p>
<p>PL Odpowiedzialność za produkt Informujemy, że zgodnie z ustawą o odpowiedzialności cywilnej za szkody powstałe w związku z wadliwością towaru nie ponosimy odpowiedzialności za szkody powstałe w wyniku użytkowania naszych urządzeń, o ile spowodowane zostały niewłaściwą naprawą lub przy wymianie elementów nie zostały zastosowane nasze części oryginalne firmy GARDENA, a naprawa nie została wykonana przez serwis firmy GARDENA lub przez autoryzowanego przedstawiciela. Taka sama zasada dotyczy części uzupełniających i akcesoriów.</p>
<p>H Termékszavatosság Nyomatékosan utalunk arra a tényre, hogy a termékszavatossági törvény szerint nem kell jótállást vállalnunk azokra a károokra, amelyeket nem a mi készülékeink okoztak, ha ezeket szakszerűtlen javítás okozta vagy egy alkatrész kicserélésénél nem a mi eredeti GARDENA alkatrészzeinket vagy általunk engedélyezett alkatrészeket használták fel és a javítást nem a GARDENA szerviz vagy egy erre felhatalmazott szakember végezte. Hasonlóképpen érvényes ez a kiegészítő alkatrészekre és tartozékokra is.</p>
<p>CZ Odpovědnost za výrobek Výslovně upozorňujeme na to, že podle zákona o odpovědnosti za výrobek neneseme odpovědnost za škody způsobené našimi přístroji, pokud byly způsobené neodbornou opravou nebo použitím jiných než našich originálních náhradních dílů GARDENA nebo námi schválených dílů a neprovedením opravy servisem GARDENA nebo autorizovaným odborníkem. Odpovídající platí i pro doplňkové díly a příslušenství.</p>
<p>SK Predmet záruky Upozorňujeme dôrazne na to, že podľa zákona o poskytovaní záruk nezodpovedáme za škody spôsobené našimi výrobkami, v prípade, že boli boli vyvolané neodbornými opravami, výmenou dielcov, ktoré nepatria k originálnym dielom GARDENA alebo neboli nami schválené rovnako boli spôsobené servisnými zásahmi, ktoré neboli vykonané servisom GARDENA alebo autorizovaným odborníkom. Rovnako to platí pre doplnky a príslušenstvo.</p>

Deutschland / Germany

GARDENA
Manufacturing GmbH
Central Service
Hans-Lorenser-Str. 40
89079 Ulm
Produktfragen:
(+49) 731 490-123
Reparaturen:
(+49) 731 490-290
service@gardena.com

Argentina

Husqvarna Argentina S.A.
Vera 745
(C1414A00) Buenos Aires
Phone: (+ 54) 11 4858-5000
diego.poggi@ar.husqvarna.com

Australia

Husqvarna Australia Pty. Ltd.
Locked Bag 5,
Central Coast BC, NSW 2252
Phone: 0061 24352 7400
customer.service@husqvarna.com.au

Austria / Österreich

Husqvarna Austria GmbH
Consumer Products
Industriezeile 36
4010 Linz
Phone: (+43) (0) 732/77 01 01-90
consumer.service@husqvarna.at

Belgium

GARDENA Belgium NV/SA
Leuvensesteenweg 555 b10
1930 Zaventem
Phone: (+32) 27 20 921 2
info@gardena.be

Brazil

Palash Importação e Comércio Ltda
Rua São João do Araguaia, 338
Barueri – SP – CEP: 06409-060
Phone: (+55) 11 4198-9777
eduardo@palash.com.br

Bulgaria

Husqvarna Bulgaria Eood
72 Andrey Ljapchev Blvd.
1799 Sofia
Phone: 02/9 75 30 76

Canada

GARDENA Canada Ltd.
100 Summerlea Road
Brampton, Ontario L6T 4X3
Phone: (+1) 905 792 93 30
info@gardenacanada.com

Chile

Garden Chile S.A.
San Sebastián 2839
Ofic. 701 A
Las Condes - Santiago de Chile
Phone: (+56) 2 20 10 708
garfar_cl@yahoo.com

Costa Rica

Compania Exim
Euroiberoamericana S.A.
Apto Postal 1260
San José
Phone: (+506) 223 20 75
exim_euro@racsa.co.cr

Croatia

SILK ADRIA d.o.o.
Josipa Lončara 3
10090 Zagreb
Phone: (+385) 1 3794 580
silk.adria@zg-t-com.hr

Cyprus

FARMOKIPIKI LTD
P.O. Box 7098
74, Digeni Akrita Ave.
1641 Nicosia
Phone: (+357) 22 75 47 62
condam@spidernet.com.cy

Czech Republic

Husqvarna Česko s.r.o.
Türkova 2319/5b
149 00 Praha 4 – Chodov
Bezplatná infolinka: 800 100 425
servis@cz.husqvarna.com

Denmark

GARDENA
Husqvarna Consumer Outdoor Products
Salgsafdelning Danmark
Box 9003
200 39 Malmö
info@gardena.dk

Estonia

Husqvarna Eesti OÜ
Consumer Outdoor Products
Kesk tee 10, Aaviku küla
Rae vald, Harju maakond 75305
kontakt.etj@husqvarna.ee

Finland

Oy Husqvarna Ab
Consumer Outdoor Products
Lautatarhankatu 8 B / PL 3
00581 HELSINKI
info@gardena.fi

France

Husqvarna France S.A.S.
9 – 11 allée des Pierres Mayettes
ZAC des Barbannières
B.P. 99
92232 Gennevilliers cedex
Phone: (+33) 01 40 85 30 40
service.consommateurs@gardena.fr

Great Britain

Husqvarna UK Ltd
Preston Road
Aycliffe Industrial Park
Newton Aycliffe
Co Durham
DL5 6UP
info.gardena@husqvarna.co.uk

Greece

HUSQVARNA ΕΛΛΑΣ Α.Ε.Β.Ε.
Υπόμ. Ηρακλειτου 33Α
Β. Πε. Κορωπιου
19 400 Κορωπι Αττικής
Phone: (+30) 210 6620225 – 6
service@agrokkip.gr

Hungary

Husqvarna
Magyarország Kft.
Ezred u. 1 – 3
1044 Budapest
Phone: (+ 36) 80 20 40 33
gardena@gardena.hu

Iceland

Ó. Johnson & Kaaber
Tunguhalsi 1
110 Reykjavik
ooj@ojk.is

Ireland

McLoughlins RS
Unit 5
Nother Cross Business Park
North Road, Finglas
Dublin 11

Italy

Husqvarna Italia S.p.A.
Via Como, 72
23868 Valmadrera (LC)
Phone: (+39) 0341.203.111
info@gardenaitalia.it

Japan

KAKUICHI co., Ltd.
Sumitomo Realty & Development Koji-
machi
BLDG., 8F
5 – 1 Nibanncyo, chiyoda-ku,
Tokyo 102-0084
Phone: (+81)-(0)3-3264-4721
m_ishihara@kaku-ichi.co.jp

Latvia

SIA „Husqvarna Latvija“
Consumer Outdoor Products
Bākūzu iela 6, Rīga, LV-1024
info@husqvarna.lv

Lithuania

UAB Husqvarna Lietuva
Consumer Outdoor Products
Ateities pl. 77C
LT-52104 Kaunas
centras@husqvarna.lt

Luxembourg

Magasins Jules Neuberg
39, rue Jacques Stas
Luxembourg-Gasperich 2549
Case Postale No. 12
Luxembourg 2010
Phone: (+352) - 40 14 01
api@neuberg.lu

Netherlands

GARDENA Nederland B.V.
Postbus 50176
1305 AD ALMERE
Phone: (+31) 36 521 00 00
info@gardena.nl

Neth. Antilles

Jonka Tuincentrum
Sta. Rosa Weg 196
P.O. Box 8200
Curaçao
Phone: (+599) 9 767 66 55
pgm@jonka.com

New Zealand

Husqvarna New Zealand Ltd.
PO Box 76437
Manukau City 2241
Phone: 0064 9 9202410
sales.nz@husqvarna.co.nz

Norway

GARDENA
Husqvarna Consumer Outdoor Products
Salgskontor Norge
Kieverveien 6
1540 Vestby
info@gardena.no

Poland

Husqvarna Poland Sp. z o.o.
ul. Wysokiego 15 B
03-371 Warszawa
Phone: (+48) 22 330 96 00
gardena@gardena.pl

Portugal

Husqvarna Portugal SA
Sintra Business Park
Edifício 1 · Fração 0 G
Abrunheira
2710-089 Sintra
info@gardena.pt

Romania

MADEX INTERNATIONAL SRL
Șoseaua Odăii 117 – 123
Sector 1, București,
RO 013603
Phone: (+40) 21 352-7603/4/5/6
madex@gardena.ro

Russia / Россия

000 «Husqvarna»
Leningradskaya street, vladenie 39
Khimki Business Park
Building 2, 4th floor
141400 Moscow Region, Khimki
Phone: +7 (495) 797 26 70

Singapore

HY-RAY PRIVATE LIMITED
40 Jalan Pemimpin
#02-08 Tat Ann Building
Singapore 577185
Phone: (+65) 6253 2277
shiyang@hyray.com.sg

Serbia

Domel d.o.o.
Autoput za Novi Sad bb
11273 Belgrade
Phone: (+381) 11 84 888 12
miroslav.jejina@domel.rs

Slovakia

Husqvarna Česko s.r.o.
T – L s.r.o.
Fedínová 6 – 8
851 01 Bratislava
Bezplatná infolinka: 800 154 044
servis@sk.husqvarna.com

Slovenia

GARDENA d.o.o.
Brodišče 15
1236 Trzin
Phone: (+386) 1 580 93 32
servis@gardena.si

South Africa

GARDENA
South Africa (Pty.) Ltd.
P.O. Box 11534
Vorna Valley 1686
Phone: (+27) 11 315 02 23
sales@gardena.co.za

Spain

Husqvarna Espana S.A.
C/Basauri, nº 6
La Florida
28023 Madrid
Phone: (+34) 91 708 05 00
(4 líneas)
atencioncliente@gardena.es

Sweden

GARDENA
Husqvarna Consumer Outdoor Products
Försäljningskontor Sverige
Box 9003
20039 Malmö
info@gardena.se

Switzerland / Schweiz

Husqvarna Schweiz AG
Consumer Products
Industriestrasse 10
5506 Mägenwil
Phone: +41 (0) 62 887 37 00
info@gardena.ch

Turkey

GARDENA Dost Diş Ticaret
Mümesillik A.S.
Sanayi Çad. Adil Sok. No. 1
34873 Kartal – Istanbul
Phone: (+90) 216 38 93 939
info@gardena-dost.com.tr

Ukraine / Україна

ТОВ «Хускварна Україна»
Васильківська, 34, 204-Г
03022, Київ
Ten.: (+38 044) 498 39 02
info@gardena.ua

USA

GARDENA Canada Ltd.
100 Summerlea Road
Brampton, Ontario L6T 4X3
Phone: (+1) 905 792 93 30
info@gardenacanada.com

4044-20.960.03/0611
© GARDENA Manufacturing GmbH
D-89070 Ulm
http://www.gardena.com