

Art. 1407

- | | |
|-------------|--|
| D | Gebrauchsanweisung
Blumenkastenbewässerung |
| GB | Operating Instructions
Flower Box Watering Set |
| F | Mode d'emploi
Arrosoir automatique balcons et terrasses |
| NL | Gebruiksaanwijzing
Bloembakbesproeiingsset |
| SCAN | Bruksanvisning
Blomsterkassevanning |
| I | Istruzioni per l'uso
Idrokit per fioriere |
| E | Manual de instrucciones
Riego para jardineras |
| P | Instruções de utilização
Conjunto de rega para canteiros |

D

Bitte lesen Sie diese Gebrauchsanweisung vor Inbetriebnahme Ihres Gerätes sorgfältig. Beim Lesen der Gebrauchsanweisung bitte die Umschlagseite herausklappen.

Inhaltsverzeichnis	Seite
1. Technische Daten	4
2. Hinweise zur Gebrauchsanweisung	4
3. Ordnungsgemäßer Gebrauch	4
4. Funktion des Gerätes	4
5. Vorbereitung zum Aufbau	5
6. Aufbau der Anlage	5
7. Inbetriebnahme	6
8. Wartung, Pflege, Aufbewahrung	7
9. Störungen	8
10. Hinweise zur ordnungsgemäßen Benutzung / Sicherheitshinweise	8
Garantie	47
Garantiekarte	49

GB

Please read these operating instructions carefully before using the unit. Unfold inside cover page to read the operating instructions.

Contents	Page
1. Technical data	10
2. Notes on operating instructions	10
3. Proper use	10
4. Equipment and application	10
5. Assembly preparations	11
6. Assembly of the system	11
7. Operating the system	12
8. Maintenance, care, storage	13
9. Faults	13
10. Notes on correct use, safety notes	14
Guarantee	47
Warranty card	49

F

Nous vous remercions de bien vouloir lire attentivement ce mode d'emploi avant d'utiliser votre arrosoir automatique. En dépliant le volet de la couverture, vous aurez sous les yeux une série d'illustrations vous permettant une meilleure compréhension de ce mode d'emploi.

Contenu	Page
1. Caractéristiques techniques	15
2. Informations sur le mode d'emploi	15
3. Domaine d'utilisation	15
4. Descriptif de l'appareil	15
5. A propos de la consommation en eau	16

6. Montage	17
7. Utilisation	17
8. Entretien et rangement	19
9. Incidents de fonctionnement	19
10. Précautions d'emploi et conseils de sécurité	20
Garantie	47
Carte de garantie	49

NL

Lees deze gebruiksaanwijzing voor montage en ingebruikname van het apparaat zorgvuldig door. Bij het lezen van de gebruiksaanwijzing de bladzijde met de afbeeldingen openslaan.

Inhoudsopgave	Pagina
1. Technische gegevens	21
2. Aanwijzingen bij de gebruiksaanwijzing	21
3. Juiste gebruik	21
4. Functie van het apparaat	21
5. Voorbereiding voor de opbouw	22
6. Opbouwen van de installatie	22
7. Ingebruikname	23
8. Onderhoud en opslag	24
9. Storingen	25
10. Aanwijzingen voor het juiste gebruik, veiligheidsaanwijzingen	25
Garantie	47
Garantiekartaat	49

SCAN

Les nøy gjennom denne bruksanvisningen før du bruker apparatet. Brett ut utbrettsiden når du leser bruksanvisningen.

Innholdsbeskrivelse	Sida
1. Tekniske data	27
2. Merknader om bruksanvisningen	27
3. Riktig bruk	27
4. Apparatets funksjon	27
5. Forberedelser før installasjonen	28
6. Installasjon av anlegget	28
7. Start av anlegget	29
8. Vedlikehold, pleie, oppbevaring	30
9. Driftsforstyrrelser	30
10. Merknader om forskriftsmessig bruk, sikkerhetsinstruks	30
Garanti	48
Garantikort	49

I

Prima di mettere in uso l'idrokit per fioriere, leggere attentamente le istruzioni tenendo aperto il pieghevole per avere sott'occhio i disegni esplicativi.

Indice	pagina
1. Dati tecnici	32
2. Avvertenze	32
3. Uso corretto	32
4. Funzioni	32
5. Scelta del serbatoio	33
6. Realizzazione dell'impianto	33
7. Messa in uso	34
8. Manutenzione	35
9. Anomalie di funzionamento	35
10. Norme d'uso e di sicurezza	36
Garanzia	48
Certificato di garanzia	49

E

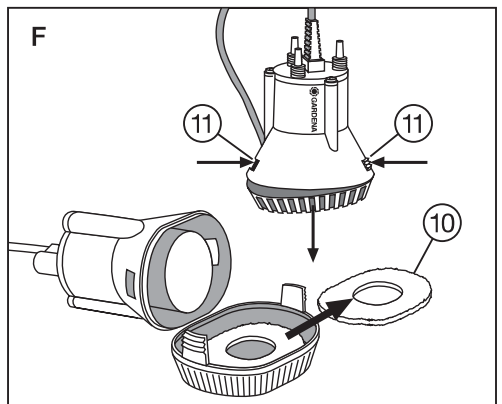
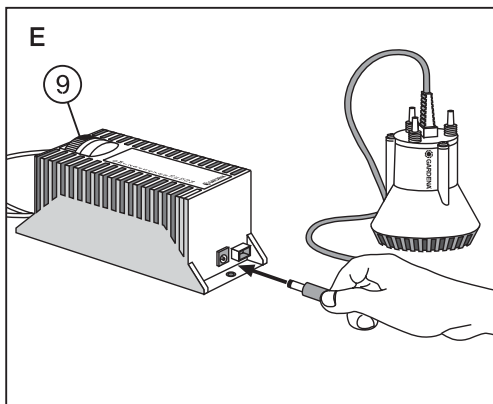
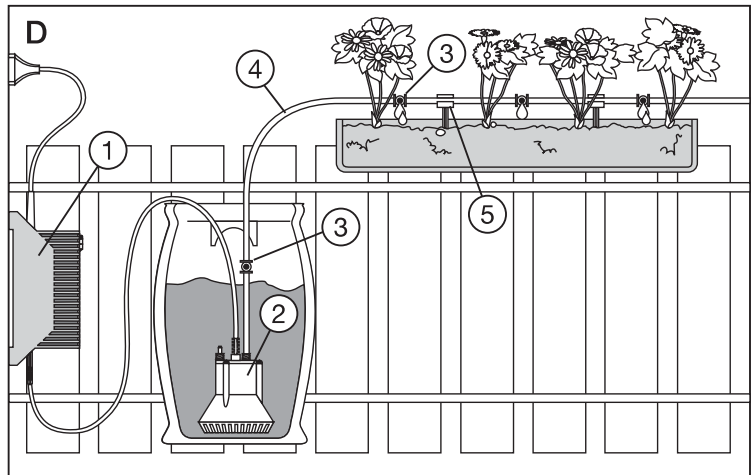
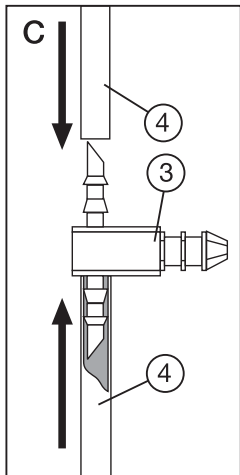
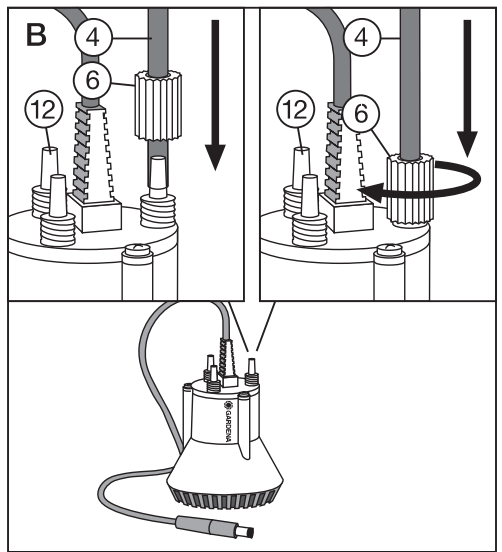
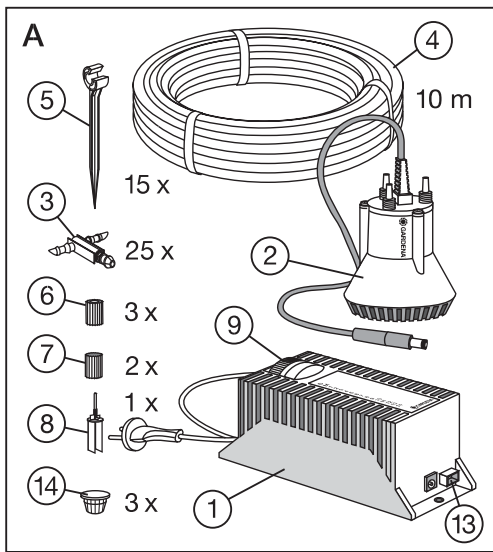
Antes del montaje y de la puesta en marcha del aparato, aconsejamos una atenta lectura del presente manual de instrucciones. Para facilitar la lectura, desdoble la cubierta.

Índice	Página
1. Datos técnicos	37
2. Indicaciones sobre el manual de instrucciones	37
3. Uso correcto	37
4. Funcionamiento del aparato	37
5. Preparación de la instalación	38
6. Instalación del sistema	38
7. Puesta en servicio	39
8. Mantenimiento, cuidados y almacenamiento	40
9. Fallos	40
10. Indicaciones para el uso correcto, indicaciones de seguridad	41
Garantía	48
Tarjeta de garantía	49

P

Por favor leia atentamente estas instruções de manejo antes de montar e utilizar este Conjunto de rega para canteiros. Desdobre as páginas na capa interior para ler as instruções de manejo.

Conteúdo	Página
1. Dados técnicos	42
2. Observações sobre as Instruções de manejo	42
3. Utilização correcta	42
4. Função do aparelho	42
5. Preparação para a montagem	43
6. Montagem do sistema	43
7. Colocação em funcionamento	44
8. Manutenção, conservação e armazenamento	45
9. Falhas	45
10. Observações sobre a utilização correcta, regras de segurança	46
Garantia	48
Carta de garantia	49



GARDENA Flower Box Watering Set

1. Technical data

Transformer with Timer

Encapsulated low-voltage safety transformer with thermoprotection, which prevents damage from overloading or short circuits, for use indoors and outdoors.

Input voltage	230 V
Frequency	50 / 60 Hz
Output voltage	14 V ---
Power	30 VA
Max. ambient temperature	+ 40 °C
Protection class	II
Power cable (supplied)	2 m, type H05-RNF

Pump

Operating voltage	14 V
Operating current (max.)	1.7 A
Max. pressure	1 bar (14 psi)
Max. flow	180 l/h

2. Notes on operating instructions

Please read these operating instructions carefully and observe the notes given. Use the instructions to familiarise yourself with the operating con-

trols, their correct use and the notes on safety.



For safety reasons, children under 16 as well as persons not familiar with these

operating instructions should not use this Flower Box Watering system.

Keep these operating instructions in a safe place.

3. Proper use

The GARDENA Flower Box Watering system is designed for use in domestic environments.

Gardening tools for domestic applications are not designed for use in public grounds, parks,

sport centres, roads, agriculture or forestry.

Compliance with the instructions provided by the manufacturer is a prerequisite for using the tool correctly.

The operating instructions also include the conditions for operation, repair and maintenance.

4. Equipment and application

4.1 Contents (fig. A)

The Flower Box Watering Set consists of the following components:

- ① 1 Transformer with 13 fixed programmes for selection
- ② 1 Submersible pump (operating voltage 14 V)
- ③ 25 Inline Drip Heads, each 2 l/h
- ④ 10 m Supply Pipe \varnothing 4.6 mm (3/16")

- ⑤ 15 Pipe Pegs \varnothing 4.6 mm (3/16")
- ⑥ 3 Sleeves
- ⑦ 2 End Caps (for water pump)
- ⑧ 1 Cleaning Needle
- ⑬ 3 End Caps (for Inline Drip Heads)

4.2 Flower Box Watering system application

The Flower Box Watering System allows fully automatic watering

of plants without tap connection e. g. in flower boxes.

There are 13 fixed programmes available for selection.

Ideal: One Inline Drip Head for each plant. The set supplied can irrigate up to 25 plants (using one Inline Drip Head per plant), in 5 to 6 flower boxes of 1 m length each including spacing between the boxes (10 m total length for the Supply Pipe).

Note: The system can be extended to supply up to 10 flower boxes by adding matching accessories from the GARDENA Micro-Drip-System (Supply Pipe, Pipe Pegs and Inline Drip Heads).

Important note:
In this case, the Supply Pipe must be connected to the second water tap connection of the pump.

A maximum of 40 Inline Drip Heads can be connected.

5. Assembly preparations

5.1 Water quantity/container

Before starting to assemble the system, establish the water consumption over a given period of time, which subsequently determines the size of the container required.

Example:

You want to water 2 flower boxes each containing 4 plants and 4 Inline Drip Heads 3 minutes per day for 10 days.

Each Inline Drip Head delivers 2 l/h, i.e. 0.1 l in 3 mins.

The quantity of water for our 8 Inline Drip Heads will be 0.8 l per day, 8 l for 10 days. (Information regarding the water consumption of the installation for

the various watering programs which can be selected, can be found in the section entitled "Fixed transformer programmes").

Result:

A 10 l bucket will suffice as a container for this example.

Note: When using a water container of a large capacity (eg: 100-150 l or more), the maximum weight load for your balcony according to DIN 1055 should be taken into account.

Note: If the GARDENA Soil Moisture Sensor (Art. No. 1187) is included in the system, watering is carried out taking the moisture content of the soil

into account. This means that despite programmed watering, no water will be distributed if the Soil Moisture Sensor measures sufficient moisture already in the soil (refer also to the operating instructions for the Soil Moisture Sensor).

If the GARDENA Rain Sensor (Art. No. 1189) is connected, watering is interrupted if it starts to rain. It is only worth connecting the GARDENA Rain Sensor if the flower boxes are exposed to natural rain fall and are not fitted underneath the roof.

6. Assembly of the system (fig. B-D)

6.1 Assembly of the watering system

1. Fit the sleeve ⑥ to the Supply Pipe ④; attach the Supply Pipe ④ to one of the three water connections ⑫ of the pump and screw the Supply Pipe with the sleeve in accordance with figure B.
2. If the remaining two water connections ⑫ of the pump are not in use, close these by screwing on End Caps ⑦.
3. **Note: We recommend to install the first Inline Drip Head ③ immediately above the water level in the container. This ensures that the system is vented and prevents any dripping of water when the system is turned off, especially if Inline Drip Heads are installed at a lower height than the water level in the container.**

4. Cut the Supply Pipe ④ where you want to insert the Inline Drip Head, push the barb into the pipe until completely covered (fig. C, bottom).
5. Push the other barb of the Inline Drip Head ③ into the other end of the Supply Pipe ④ (fig. C, top).
6. Mark the installation position of all other Inline Drip Heads and install in the manner described in 4. and 5.
7. Place the Pipe Pegs ⑤ in the flower boxes in the chosen positions and attach the Supply Pipe ④ to the Pipe Pegs (fig. D).
Tip: We recommend 3 Pipe Pegs for each flower box of 1 m length.
8. When using the GARDENA Soil Moisture Sensor (Art. No. 1187) it must be installed in one of the flower boxes to be

watered. When connecting the GARDENA Rain Sensor (Art. No. 1189) it should be connected so that the sensor (and the flower boxes) are exposed to natural rainfall. Please refer to the operating instructions for the GARDENA Soil Moisture Sensor or GARDENA Rain Sensor.

9. Close the open end of the last Inline Drip Head using the End Cap supplied ⑭.

6.2 Positioning the water container / level (fig. D)

Important! When choosing the location for the water container, please ensure that the water level is at a lower height than the flower boxes. This will avoid the water dripping after the irrigation process! However, if the flower

boxes are positioned at a lower height than the water level, we

recommend to install the first Inline Drip Head directly above the water level in the container.

This allows venting of the system and prevents dripping.

7. Operating the system

7.1 Operating the system

(fig. A/E)

1. Fill the container with at least the required quantity of water.
2. Connect the pump to the transformer (fig. E).



Use only the GARDENA transformer supplied and never connect the pump directly to the mains supply!



Position the transformer in a safe and dry location.

3. Place the pump in filled container.

Note: The pump must rest flat on the bottom of the water container.

4. If using the GARDENA Soil Moisture Sensor (Art. No. 1187) or the Rain Sensor (Art. No. 1189), connect the sensor now to the transformer at the socket "Sensor" ⑬, fig. A.
5. Set the adjustment knob ⑨ to position 0 and insert the mains plug into an outlet socket.
6. Set the selected watering programme with the adjustment

knob ⑨. The system will operate as per selected programme (refer also to 7.2).

7. Check that all connections are firmly tightened.



The pump should never be operated without water, so as to avoid damage to the pump.

7.2 Fixed transformer programmes

Select one of the following fixed programmes.

Position	Frequency	Run Time	Description	10 Inline Drip Heads l/day
0	Off/Reset	–	No watering; system turned off.	–
M	On	3 min.	Watering once; duration 3 minutes	1 l (once)
1	3rd day	3 min.	Watering every 3rd day for 3 minutes	1 l / 3rd day
2	2nd day	3 min.	Watering every 2nd day for 3 minutes	1 l / 2nd day
3	3rd day	6 min.	Watering every 3rd day for 6 minutes	2 l / 3rd day
4	2nd day	6 min.	Watering every 2nd day for 6 minutes	2 l / 2nd day
5	24 h	3 min.	Watering every 24 hours for 3 minutes	1 l
6	8 h	1 min.	Watering every 8 hours for 1 minute	1 l
7	24 h	6 min.	Watering every 24 hours for 6 minutes	2 l
8	12 h	3 min.	Watering every 12 hours for 3 minutes	2 l
9	8 h	3 min.	Watering every 8 hours for 3 minutes	3 l
10	12 h	6 min.	Watering every 12 hours for 6 minutes	4 l
11	8 h	6 min.	Watering every 8 hours for 6 minutes	6 l
12	6 h	6 min.	Watering every 6 hours for 6 minutes	8 l
13	4 h	6 min.	Watering every 4 hours for 6 minutes	12 l
14	Automatic	–	When the GARDENA Soil Moisture Sensor is connected – see Chapter "Sensor Operation"	–

7.3 Sensor Operation

By selecting **programs 1-13** when the GARDENA Soil Moisture Sensor (Art. No. 1187) is connected, timer-controlled watering is prevented or interrupted if the soil is sufficiently moist.

Alternatively, by connecting the GARDENA Rain Sensor (Art. No. 1189) watering can be prevented or interrupted if it starts to rain.

By selecting **automatic program 14**, watering can be switched on and off completely automatically

depending on the moisture level of the soil. You must connect the GARDENA Soil Moisture Sensor (Art. No. 1187) and set the control knob on the Soil Moisture Sensor to position 2 (see also the notes in the Soil Moisture Sensor operating instructions).

8. Maintenance, care, storage

⚠ Attention! Disconnect the mains plug before carrying out any work on the system!

Cleaning the filter (fig. F)

The pump is almost maintenance-free.

It has an integrated filter which needs to be cleaned in the following way, after the system has been shut-off:

1. Press both orange locking knobs (11) and remove the base of the pump (fig. F).

2. Take out the filter (10) and rinse in clean water.
3. Replace the filter into the suction base.
4. Re-connect the base to the pump. Ensure that locking knobs snap firmly into position.

⚠ Attention! The housing of the pump is sealed at the thread. Any work on electrical parts must only be carried out by GARDENA Service.

In frost affected areas the pump and transformer must be stored in a dry place.



Disposal:
(in accordance with
RL2002/96/EC)

Device may not be added to normal household refuse but must be disposed of in the technically correct way.

9. Faults

Fault	Possible cause	Remedy
Pump does not run.	Mains connector or pump connector are not plugged in.	Insert the mains plug in the outlet socket, or the pump connector plug in the socket at the transformer.
	Soil Moisture Sensor / Rain Sensor indicates moisture.	Wait until the Soil Moisture Sensor / Rain Sensor has dried out sufficiently.
No water is delivered.	Container is empty.	Fill container with water.
	The pump filter (10) is blocked.	Clean the pump filter (section 8.1).
The watering cycles are incorrect.	The adjustment knob (9) of the transformer is set in between programmes.	Set the adjustment knob exactly onto desired position.
The system still runs after the pump has been turned off.	Inline Drip Heads are installed lower than water level in container.	Choose another location for the container, where the water level is below the Inline Drip Heads. Install an Inline Drip Head to vent the system.


If you have any problem with your Flower Box Watering system, please contact our Customer Service or return the defective unit together with a short description of the problem directly to one of the GARDENA Service Centres listed on the back of this leaflet.


If covered under guarantee, please include the completed and signed warranty card.

We expressly point out that, in accordance with the product liability law, we are not liable for any damage caused by our units if it is due to improper


repair or if parts exchanged are not original GARDENA parts or parts approved by us, and, if the repairs were not carried out by a GARDENA Service Centre or an authorised specialist. The same applies to spare parts and accessories.

10. Notes on correct use, safety notes


 Only use Original GARDENA parts, as the function of the system cannot otherwise be guaranteed.


 Check the power cable for the transformer and the extension cable for the pump at regular intervals for damage. Only connectors and cables in perfect condition should be used. Disconnect the connector from the mains immediately in the event of damage to the power cable

at the transformer or to the connecting cable for the pump.


 Damaged power cables cannot be replaced on encapsulated transformers.

 Damaged connecting cables to the pump can only be replaced by GARDENA Service.

 Disconnect the mains plug of the transformer from the outlet socket for all work on the Flower Box Watering system.

 The pump may only be operated with 14-V protected low-voltage in combination with the GARDENA transformer and timer.

 Risk of fatal injuries if connected directly to 230 V!

 Do not let the pump run dry.

EU Certificate of Conformity

The undersigned

GARDENA Manufacturing GmbH · Hans-Lorenser-Str. 40 · D-89079 Ulm

hereby certifies that, when leaving our factory, the unit indicated below is in accordance with the harmonised EU guidelines, EU standards of safety and product specific standards.

This certificate becomes void if the unit is modified without our approval.

Description of the unit:

Flower Box Watering Set
(Transformer – Timer / Pump)

Art. no.:

1407

EU directives:

Machinery Directive 98/37/EC
Electromagnetic Compatibility
89/336/EC
Low Voltage Directive 73/23/EC
Directive 93/68/EC

Year of CE marking:

1997

Ulm, 06.08.1998



Thomas Heini
Technical Dept. Manager

D

Garantie

GARDENA gewährt für dieses Produkt 2 Jahre Garantie (ab Kaufdatum). Diese Garantieleistung bezieht sich auf alle wesentlichen Mängel des Gerätes, die nachweislich auf Material- oder Fabrikationsfehler zurückzuführen sind. Sie erfolgt durch die Ersatzlieferung eines einwandfreien Gerätes oder durch die kostenlose Reparatur des eingesandten Gerätes nach unserer Wahl, wenn folgende Voraussetzungen gewährleistet sind:

- Das Gerät wurde sachgemäß und laut den Empfehlungen in der Gebrauchsanweisung behandelt. Es wurde weder vom Käufer noch von einem Dritten versucht, das Gerät zu reparieren.
- Das Gerät wurde ausreichend frankiert direkt an eine der GARDENA Servicestellen gesandt, unter Beifügung der vollständig ausgefüllten Garantiekarte bzw. des Rechnungsbeleges.

Diese Hersteller-Garantie berührt die gegenüber dem Händler/Verkäufer bestehenden Gewährleistungsansprüche nicht.

Im Reklamationsfall die Garantiekarte ausschneiden und mit dem Gerät einsenden.

GB

Guarantee

GARDENA guarantees this product for 24 months (from date of purchase). This guarantee covers all serious defects of the unit that can be proved to be material or manufacturing faults. Under warranty we will either replace the unit or repair it free of charge if the following conditions apply:

- The unit must have been handled properly and in keeping with the requirements of the operating instructions.

Neither the purchaser nor a non-authorized third party have attempted to repair the unit.

- The unit has been returned directly to a GARDENA Service Centre, postage paid, together with the completed and signed warranty card and proof of purchase.

This manufacturer's guarantee does not affect the user's existing warranty claims against the dealer/seller.

In case of claim cut out the warranty card and send it together with the unit to the GARDENA Service Centre.

F

Garantie

Pour mieux vous servir, GARDENA accorde pour cet appareil une garantie contractuelle de 24 mois à compter du jour de l'achat. Elle est assurée par le remplacement gratuit des pièces défectueuses ou de l'appareil. Le choix en étant laissé à la libre initiative de GARDENA.

En tout état de cause s'applique la garantie légale couvrant toutes les conséquences des défauts ou vices cachés (article 1641 et suivants du Code Civil).

Pour que ces garanties soient valables, les conditions suivantes doivent être remplies :

- L'appareil a été manipulé de manière adéquate, suivant les instructions du mode d'emploi.
- Il n'y a eu aucun essai de réparation, ni par le client, ni par un tiers.
- L'appareil et la carte de garantie dûment remplies ont été retournés en port payé au Service Après-Vente de GARDENA France ou à l'un des Centres SAV agréés GARDENA.

Une intervention sous garantie ne prolonge pas la durée initiale de la garantie contractuelle.

Toutes les revendications dépassant le contenu de ce texte ne sont pas couvertes par la garantie, quel que soit le motif de droit.

Pendant la période de garantie, le Service Après-Vente et les Centres SAV agréés effectuent, à titre payant, les réparations nécessaires par suite de manipulations erronées.

En cas de réclamation, découpez la carte de garantie et retournez-la avec l'appareil au Service Après-Vente de GARDENA France.

NL

Garantie

GARDENA geeft op dit product 24 maanden garantie (vanaf de aankoopdatum). Deze garantie heeft betrekking op alle wezenlijke defecten aan het toestel, die aanwijsbaar op materiaal- of fabricagefouten berusten. Garantie vindt plaats door de levering van een vervangend apparaat of door de gratis reparatie van het ingestuurde apparaat, naar onze keuze, indien aan de volgende voorwaarden is voldaan:

- Het apparaat werd vakkundig en volgens de adviezen in de gebruiksaanwijzing behandeld. Noch de koper, noch een derde persoon heeft getracht het apparaat te repareren.
- Het apparaat werd voldoende gefrankeerd aan de GARDENA technische dienst gestuurd, met toevoeging van een volledig ingevulde garantiekarte resp. kopie van de rekening.

Deze garantie van de producent heeft geen betrekking op de ten aanzien van de handelaar/verkoper bestaande aansprakelijkheid.

In geval van reclamatie de garantiekarte uitknippen en tezamen met het apparaat opsturen.

Garantiekarte
Warranty Card
Carte de garantie
Garantiekaart
Garantikort
Certificato di garanzia
Tarjeta de garantía
Carta de garantia

GARDENA Blumenkastenbewässerung	Art.-Nr. 1407
GARDENA Flower Box Watering	art. no. 1407
Arrosoir automatique balcon et terrasses GARDENA	réf. 1407
GARDENA bloembakbesproeiingsset	art.nr. 1407
GARDENA blomsterkassevanning	art.nr. 1407
Idrokit per fioriere GARDENA	art. 1407
Riego para jardineras GARDENA	art. nº 1407
Conjunto de rega para canteiros GARDENA	art. nº 1407

wurde gekauft am:

Purchase date:

Acheté le (date et lieu d'achat) :

Werd gekocht op:

Ble kjøpt hos:

Data di acquisto:

Fecha de compra:

Comprado em:

Händlerstempel:

Dealer's stamp / Receipt:

Cachet du revendeur :

Stempel van de handelaar:

Forhandlerstempel:

Timbro del rivenditore:

Sello del comerciante:

Carimbo do vendedor:

Beanstandung:

Reasons for complaint:

Défaut constaté :

Klacht:

Reklamasjonsgrunn:

Difetto riscontrato:

Avería:

Motivo de reclamação:



Deutschland / Germany

GARDENA
Manufacturing GmbH
Service Center
Hans-Lorenser-Straße 40
D-89079 Ulm
Produktfragen:
(+49) 731 490-123
Reparaturen:
(+49) 731 490-290
service@gardena.com

Argentina

Argensem® S.A.
Calle Colonia Japonesa s/n
(1625) Loma Verde
Escobar, Buenos Aires
Phone: (+54) 34 88 49 40 40
info@argensem.com.ar

Australia

Nylex Consumer Products
50-70 Stanley Drive
Somerton, Victoria, 3062
Phone: (+61) 1800 658 276
spare.parts@nylex.com.au

Austria / Österreich

GARDENA
Österreich Ges.m.b.H.
Stettnerweg 11-15
2100 Korneuburg
Tel.: (+43) 2262 7 45 45 36
kundendienst@gardena.at

Belgium

GARDENA Belgium NV/SA
Sterrebeekstraat 163
1930 Zaventem
Phone: (+32) 2 720 92 12
Mail: info@gardena.be

Brazil

Palash Comércio e
Importação Ltda.
Rua Américo Brasiliense,
2414 - Chácara Sto Antonio
São Paulo - SP - Brasil -
CEP 04715-005
Phone: (+55) 11 5181-0909
eduardo@palash.com.br

Bulgaria

DENEX LTD.
2 Luis Ahalier Str. - 7th floor
Sofia 1404
Phone: (+359) 2 958 18 21
office@denex-bg.com

Canada

GARDENA Canada Ltd.
100 Summerlea Road
Brampton, Ontario L6T 4X3
Phone: (+1) 905 792 93 30
info@gardenacanada.com

Chile

Antonio Martinic y Cia Ltda.
Cassillas 272
Centro de Cassillas
Santiago de Chile
Phone: (+56) 2 20 10 708
garfar_cl@yahoo.com

Costa Rica

Compania Exim
Euroberoamericana S.A.
Los Colegios, Moravia,
200 metros al Sur del Colegio
Saint Francis - San José
Phone: (+506) 297 68 83
exim_euro@racsa.co.cr

Croatia

KLIS d.o.o.
Stanceveva 79
10419 Vukovina
Phone: (+385) 1 622 777 0
gardena@klis-irgovina.hr

Cyprus

FARMOKIPIKI LTD
P.O. Box 7098
74, Digeni Akritia Ave.
1641 Nicosia
Phone: (+357) 22 75 47 62
condam@spidernet.com.cy

Czech Republic

GARDENA spol. s r.o.
Řípská 20 a, č.p. 1153
627 00 Brno
Phone: (+420) 800 100 425
gardena@gardenabrnou.cz

Denmark

GARDENA Norden AB
Salgsafdeling Danmark
Box 9003
S-200 39 Malmö
info@gardena.dk

Finland

Habitec Oy
Martinkyläntie 52
01720 Vantaa

France

GARDENA
PARIS NORD 2
69, rue de la Belle Etoile
BP 57080
ROISSY EN FRANCE
95948 ROISSY CDG CEDEX
Tél. (+33) 0826 101 455
service.consommateurs@
gardena.fr

Great Britain

GARDENA UK Ltd.
27-28 Brenkley Way
Bleazard Business Park
Seaton Burn
Newcastle upon Tyne
NE13 6DS
info@gardena.co.uk

Greece

Agrokop
G. Psomadopoulos & Co.
33 A, Ifestou str. –
Industrial Area
194 00 Koropi, Athens
Phone: (+30) 210 66 20 225
service@agrokop.gr
www.agrokop.gr

Hungary

GARDENA
Magyarország Kft.
Késmárk utca 22
1158 Budapest
Phone: (+36) 80 20 40 33
gardena@gardena.hu

Iceland

Ö. Johnson & Kaaber
Tunguhalsi 1
110 Reykjavik
ooj@ojk.is

Ireland

Michael McLoughlin & Sons
Hardware Limited
Long Mile Road
Dublin 12

Italy

GARDENA Italia S.p.A.
Via Donizetti 22
20020 Lainate (Mi)
Phone: (+39) 02.93.94.79.1
info@gardenaitalia.it

Japan

KAKUICHI Co. Ltd.
Sumitomo Realty &
Development Kojimachi
BLDG., 8F
5-1 Nibanncyo, Chiyoda-ku
Tokyo 102-0084
Phone: (+81) 33 264 4721
m_ishihara@kaku-ichi.co.jp

Luxembourg

Magasins Jules Neuberg
Grand Rue 30
Boîte postale 12
L-2010 Luxembourg
Phone: (+352) 40 14 01
info@neuberg.lu

Netherlands

GARDENA Nederland B.V.
Postbus 50176
1305 AD ALMERE
Phone: (+31) 36 521 00 00
info@gardena.nl

Neth. Antilles

Jonka Enterprises N.V.
Sta. Rosa Weg 196
P.O. Box 8200
Curaçao
Phone: (+599) 9 767 66 55
pgm@jonka.com

New Zealand

NYLEX New Zealand Limited
Building 2, 118 Savill Drive
Mangere, Auckland
Phone: (+64) 9 270 1806
lena.chapman@nylex.com.au

Norway

GARDENA Norden AB
Salgskontor Norge
Karihaugveien 89
1086 Oslo
info@gardena.no

Poland

GARDENA Polska Sp. z o.o.
Szymanów 9 d
05-532 Baniocza
Phone: (+48) 22 727 56 90
gardena@gardena.pl

Portugal

GARDENA Portugal Lda.
Recta da Granja do Marquês
Edif. GARDENA Algueirão
2725-596 Mem Martins
Phone: (+351) 21 922 85 30
info@gardena.pt

Romania

MADEX INTERNATIONAL SRL
Soseaua Odaii 117-123,
Sector 1,
București, RO 013603
Phone: (+40) 21 352 76 03
madex@ines.ro

Russia / Россия

АО АМИДА ТТЦ
ул. Мосфильмовская 66
117330 Москва
Phone: (+7) 095 956 99 00
amida@col.ru

Singapore

Hy-Ray PRIVATE LIMITED
40 Jalan Pemimpin
#02-08 Tat Ann Building
Singapore 577185
Phone: (+65) 6253 2277
hyray@singnet.com.sg

Slovak Republic

GARDENA Slovensko, s.r.o.
Panónska cesta 17
851 04 Bratislava
Phone: (+421) 263 453 722
info@gardena.sk

Slovenia

Silk d.o.o.
Brodišče 15
1236 Trzin
Phone: (+386) 1 580 93 00
gardena@silks.si

South Africa

GARDENA
South Africa (Pty.) Ltd.
P.O. Box 11534
Vorna Valley 1686
Phone: (+27) 11 315 02 23
sales@gardena.co.za

Spain

GARDENA IBERICA S.L.U.
C/ Basauri, nº 6
La Florida
28023 Madrid
Phone: (+34) 91 708 05 00
atencioncliente@gardena.es

Sweden

GARDENA Norden AB
Försäljningskontor Sverige
Box 9003
200 39 Malmö
info@gardena.se

Switzerland / Schweiz

GARDENA (Schweiz) AG
Bitzberg 1
8184 Bachenbülach
Phone: (+41) 848 800 464
info@gardena.ch

Turkey

GARDENA/ Dost Diş Ticaret
Müessesilik A.Ş. Sanayi
Çad. Adil Sokak No. 1
Kartal - İstanbul
Phone: (+90) 216 38 93 939
info@gardena-dost.com.tr

Ukraine / Украина

ALTESTEST JSC
4 Petropavlivska Street
Petropavlivska
Borschahivka Town
Kyivo Svyatoshyn Region
08130, Ukraine
Phone: (+380) 44 459 57 03
upyr@altstest.kiev.ua

USA

Melnor Inc.
3085 Shawnee Drive
Winchester, VA 22604
Phone: (+1) 540 722-9080
service_us@melnor.com

1407-20.960.05/0606

© GARDENA
Manufacturing GmbH
D-89070 Ulm
http://www.gardena.com