



Art. 2451

S Bruksanvisning
Handgräsklippare 370 SM

DK Brugsanvisning
Håndplæneklipper 370 SM

N Bruksanvisning
Håndklipper 370 SM

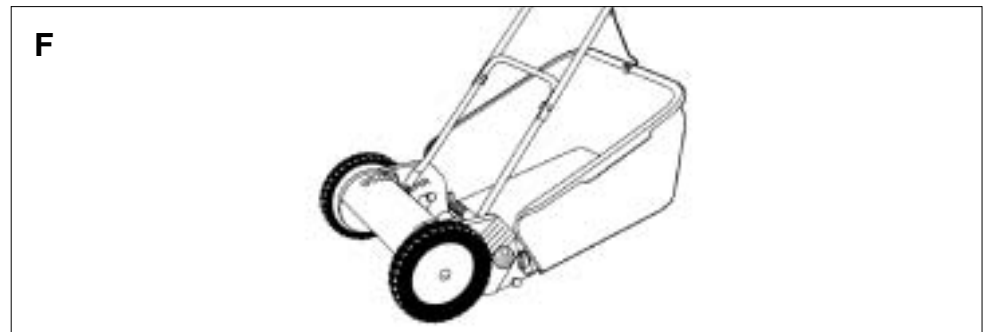
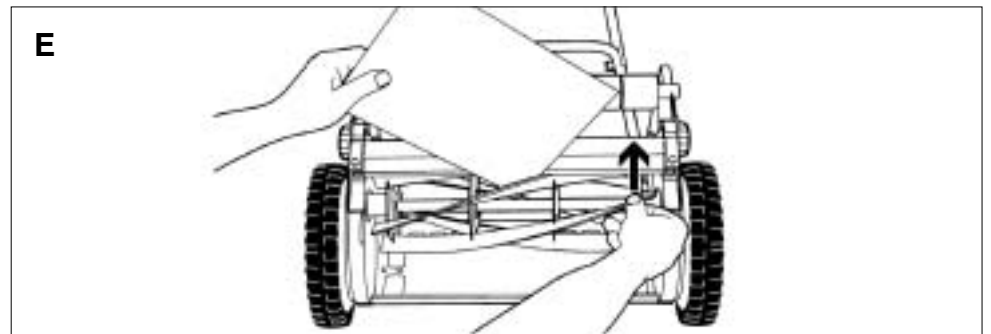
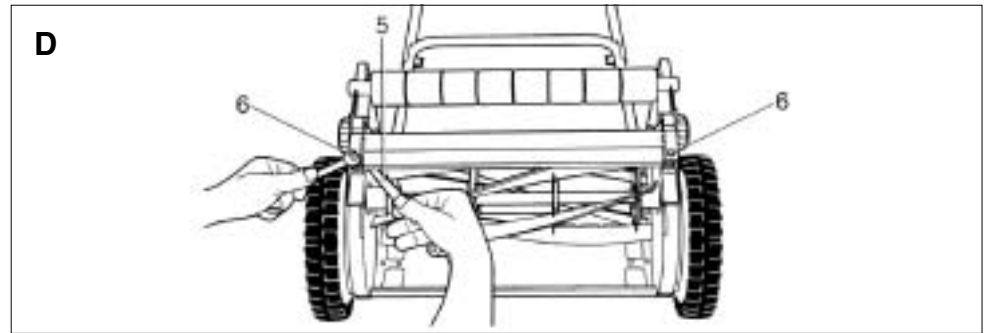
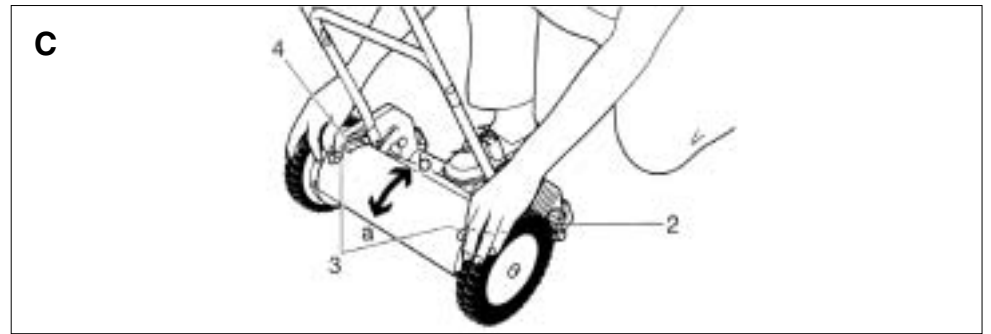
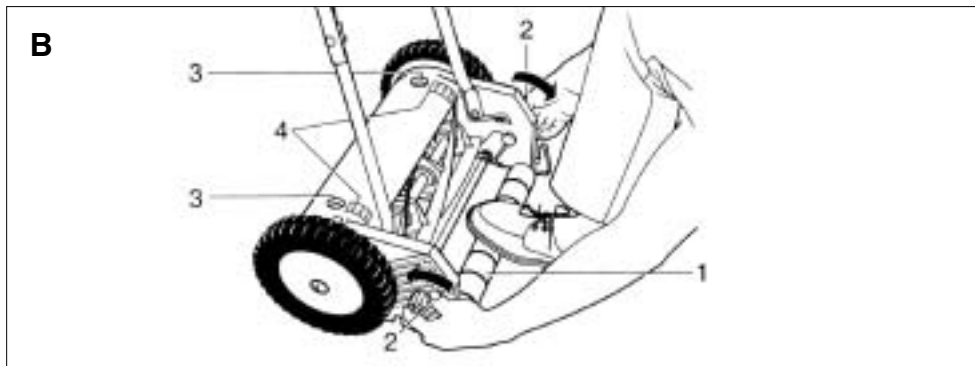
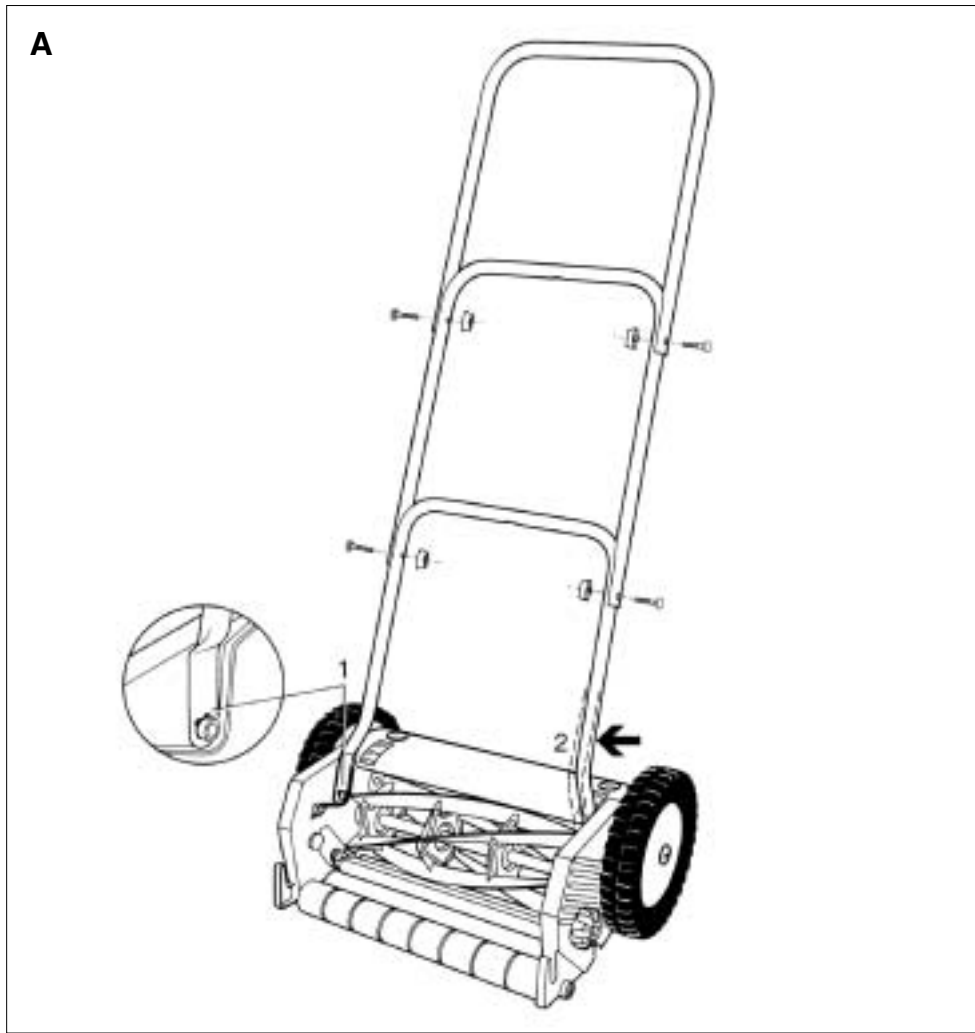
FIN Käyttöohje
Työnnettävä ruohonleikkuri 370 SM

D Gebrauchsanweisung
Handrasenmäher 370 SM

GB Operating Instructions
Hand Lawn Mower 370 SM

F Mode d'emploi
Tondeuse à gazon 370 SM

E Manual de instrucciones
Cortacésped manual 370 SM



GARDENA Hand Lawn Mower 370 SM

Welcome to the Garden of GARDENA...



Please read these operating instructions carefully and observe the notes given. Use these instructions to familiarise yourself with the Hand Lawn Mower, its correct use and the notes on safety.



For safety reasons, children under the age of 16 as well as persons not familiar with these operating instructions should not use this Hand Lawn Mower.

→ Please keep these operating instructions in a safe place.

1. Where to Use Your GARDENA Hand Lawn Mower

Intended use

The GARDENA Hand Lawn Mower 370 SM is designed for private use in domestic and hobby gardens. It is not designed for use in public facilities, parks, sporting grounds, on roads, in agriculture or forestry.

Compliance with these instructions provided by GARDENA is a prerequisite for using the Hand Lawn Mower correctly.

Please note



Hand lawn mowers may not be used for cutting climbing plants or grass on roofs or in balcony boxes, due to the danger of bodily harm.

2. For Your Safety

Checks before each operation:

Before use, an inspection is always to be performed. In order to determine that all nuts, bolts and working tools are not worn down or damaged. Worn down or damaged blades are to be replaced in sets.

Inspect the surface on which the lawn mower is to be used beforehand. Stones, pieces of wood and wires as well as other solid matter are to be removed.

Objects, which are contacted by the cutting tools, could be thrown out uncontrollably.

Proper use / Responsibility

Do not use the lawn mower while people, especially children or animals, are directly nearby. The operator is liable for damages.

When mowing, sturdy boots must be worn with non-slip soles.



Take note that the rotating blade cylinder could cause injuries.

The safety distance between the blade cylinder and the operator that is created by the guiding spar is to be always maintained.

When mowing embankments and slopes, special care is to be taken;

→ make sure you always have a safety distance and wear shoes with a non-slip sole. Always cut diagonally to the slope.

Take special care when moving backwards and when pulling the lawn mower. Danger of stumbling!

Never place your hands or feet on or under moving parts.

If you come into contact with an obstruction during mowing:

If the cutting tools or the lawn mower should run into an obstruction and/or solid objects, the lawn mower should be properly and thoroughly inspected.

Pay attention to the working environment

Only work when visibility is good.

3. Assembly

Assembling the rod yoke (Fig. A):

The rod yoke is mounted with the bolts supplied. The rod on the left side ① with the bore hole is pushed over the rod bolt. *This can only be performed when the yoke is in the vertical position, since the groove in the bore hole and the safety peg have to fit exactly.*

On the right side ②, the yoke borehole is pushed downwards and over the second rod bolt by applying slight pressure.

4. Operation

How to cut correctly

The GARDENA Hand Lawn Mower is able to mow grass up to 14 cm length.

However, if the lawn is supposed to be well kept, the grass should always be kept shorter.

At the beginning of the cutting phase and on newly laid lawns, a relatively high cutting height should be chosen. With subsequent cuts, the height should be made gradually lower. In order to obtain a well-kept lawn, the cutting height should be adjusted to approx. 2 cm.

Try to cut your grass weekly, if possible. A cropped blade of grass grows well when cut frequently.

Only cut the grass when it is relatively dry.

In order to obtain a clean cut, push the mower in tracks as straight as possible at walking speed. The cutting tracks should always overlap by several centimetres with this so that a grass strip is not left behind.

Adjusting the cutting height (Fig. B, C):

For this, position the lawn mower on solid, level ground.

→ Stand behind the lawn mower so that you can put a foot on the roller ① (Fig. B/C).

→ Loosen both set-screws ②. Now you can adjust the desired cutting height with both hands using the adjusting depressions ③ (Fig. C).

Highest cut: 40 mm

Lowest cut: 20 mm

→ Make sure that the cutting height markers ④ indicate the same cutting height on the scales on both sides.

Now the two set-screws ② should be tightened again.

The mower may only be adjusted to a depth in which the lower blade does not touch the ground when it is uneven.

Mowing with a grass catcher (Fig. F)

With the use of the GARDENA Grass Catcher, Art. No. 2491, you save yourself the trouble of raking up the mowed grass.

Good grass catching results can be obtained by cutting the grass when it is dry and pushing the mower at a fast walking speed.

5. Maintenance

Clean the mower after use and lubricate with an oil of low viscosity (e.g. spray-oil). Grease the cutting blades.

Adjusting the cutting gear (Fig. D):

The cutting gear of your lawn mower was optimally adjusted before leaving our company. If, after longer use, a clean cut of the grass is no longer possible or the blade roller contacts the lower blade, then the lower blade should be adjusted as follows:

- Push the supplied thickness gauge ⑤ on the left side between a blade of the blade roller and the lower blade.
- Turn the hexagonal bolt ⑥ to the right using a 10 mm fork wrench until the thickness gauge is slightly contacted.
- Repeat this procedure on the right side of the mower.
- Now turn the blade roller as a test; it should not touch any of the five cutters on the lower blade.



Handling the cutting gear should be carried out with special care (danger of injury by cutting).

Cutting test with newspaper (Fig. E):

After you have adjusted the cutting gear, carry out a cutting test with newspaper.

Sharpening of the blades / Repairs

If you take proper care of the cutting blade it will remain sharp for many years. When it comes time to change the blade, however, please contact GARDENA Customer Service.

Repairs of the lawn mower and installation of the blades can be carried out by a suitable workshop.

Have your lawn mower checked in autumn, if possible, so that it is immediately ready for use for the next mowing season.



For safety reasons, only use original GARDENA spare parts or parts approved of by the manufacturer.

6. Storage

Store the mower in a dry room. Lubricate with machine oil.

7. Service

Warranty

GARDENA guarantees this product for 2 years (from date of purchase). This guarantee covers all serious defects of the unit that can be proved to be material or manufacturing faults. Under warranty we will either replace the unit or repair it free of charge if the following conditions apply:

- The unit must have been handled properly and in keeping with the requirements of the operating instructions.
- Neither the purchaser or a non-authorized third party have attempted to repair the unit.

The complete blade roll and bottom blade are wearing parts and are not covered by the guarantee.

This manufacturer's guarantee does not affect the user's existing warranty claims against the dealer/seller.

Complaints/Repairs

If a fault occurs with your Hand Lawn Mower, please return the faulty unit together with a copy of the receipt and a description of the fault, with postage paid to one of the GARDENA Service Centres listed on the back of these operating instructions.

Product Liability

We expressly point out that, in accordance with the product liability law, we are not liable for any damage caused by our units if it is due to improper repair or if parts exchanged are not original GARDENA parts or parts approved by us, and, if the repairs were not carried out by a GARDENA Service Centre or an authorised specialist. The same applies to spare parts and accessories.

Deutschland

GARDENA Kress + Kastner GmbH
GARDENA Service
Hans-Lorenser-Straße 40
D-89079 Ulm
Produktfragen: (07 31) 490-123
Reparaturen: (07 31) 490-290

Argentina

Argensem S.A.
Venezuela 1075
(1618) El Talar - Buenos Aires

Australia

NYLEX Consumer Division
76-88 Mills Road
P.O. Box 722
Braeside 3195
Melbourne, Victoria

Austria

GARDENA Österreich Ges. m.b.H.
Stettnerweg 11-15
2100 Korneuburg

Belgium

MARKT (Belgium) NV/SA
Sterrebeekstraat 163
1930 Zaventem

Brazil

M. Cassab
Av. das Nações Unidas, 20.882
Santo Amaro, CEP 04795-000
São Paulo - S.P.

Bulgaria / България

ДЕНЕКС ООД
Бул. "Г.М.Димитров" 16 ет.4
София 1797

Canada

GARDENA Canada Ltd.
100, Summerlea Road
Brampton, Ontario
Canada L6T 4X3

Chile

Antonio Martinic Y CIA. LTDA.
Gilberto Fuenzalida 185 Loc.
Las Condes - Santiago de Chile

Costa Rica

Compania Exim
Euroiberoamericana S.A.
350 Sur del Automercado
Los Yoses
San Pedro

Cyprus

FARMOKIPIKI LTD
P.O. Box 7098
74, Digeni Akrita Ave.
1641 Nicosia

Czech Republic

GARDENA spol. s.r.o.
Řípská 20a, č.p. 1153
62700 Brno

Denmark

GARDENA Danmark A/S
Naverland 8
2600 Glostrup

Finland

Habitec Oy
Martinkyläntie 52
01720 Vantaa

France

GARDENA France
Service Après-Vente
BP 50080
95948 ROISSY CDG Cedex

Great Britain

GARDENA UK Ltd.
27-28 Brenkley Way
Blezard Business Park
Seaton Burn
Newcastle upon Tyne NE13 6DS

Greece

Agrokip G. Psomadopoulos & Co.
33a, Ifestou str., Industrial Area
Koropi 194 00
Athens

Hungary

GARDENA Magyarország Kft.
Késmárk utca 22
1158 Budapest

Iceland

Heimilistaeki hf
Saetun 8
P.O. Box 5340
125 Reykjavik

Republic of Ireland

Michael McLoughlin & Sons
Hardware Limited
Long Mile Road
Dublin 12

Italy

GARDENA Italia S.r.l.
Via Donizetti 22
20020 Lainate (Mi)

Japan

KAKUDAI Mfg. Co. Ltd.
1-4-4, Itachibori Nishi-ku
Osaka 550

Luxembourg

Magasins Jules Neuberg
Grand Rue 30
Case Postale No. 12
Luxembourg 2010

Netherlands

GARDENA Nederland B.V.
Postbus 50176
1305 AD ALMERE
Neth. Antilles
Jonka Enterprises N.V.
Sta. Rosa Weg 196
P.O. Box 8200
Curaçao

New Zealand

NYLEX New Zealand Limited
Private Bag 94001
South Auckland Mail Centre
10 Offenhauser Drive
East Tamaki, Manukau

Norway

GARDENA Norge A/S
Postboks 214
2013 Skjetten

Poland

GARDENA Polska Sp. z o.o.
Szymanów 9 d
05-532 Baniocza

Portugal

MARKT (Portugal), Lda.
Recta da Granja do Marquês
Edif. GARDENA
Algueirão
2725-596 Mem Martins

Russia / Россия

АО АМИДА ТТЦ
ул. Мосфильмовская 66
117330 Москва

Singapore

Variware
Holland Road Shopping Centre
227-A 1st Fl., Unit 29
Holland Avenue
Singapore 1027

Slovenia / Croatia

Silk d.o.o. Trgovina
Brodišče 15
1236 Trzin

South Africa

GARDENA South Africa (Pty.) Ltd.
P.O. Box 11534
Vorna Valley 1686

Spain

ANMI Andreu y Miriam S.A.
Calle Pere IV, 111
08018 Barcelona

Sweden

GARDENA Svenska AB
Box 9003
20039 Malmö

Switzerland

GARDENA Kress + Kastner AG
Bitziberg 1
8184 Vachenbülach

Ukraine / Украина

АОЗТ АЛЬЦЕСТ
ул. Гайдара 50
г. Киев 01033

Turkey

Dost Diş Ticaret Müessesilik A.Ş.
Yeşilbağlar Mah. Başkent
Cad. No. 26
Pendik - İstanbul

USA

GARDENA
3085 Shawnee Drive
Winchester, VA 22604

2451-20.960.02/0021

© GARDENA Kress + Kastner GmbH
Postfach 27 47, D-89070 Ulm
<http://www.gardena.com>