

**Deutschland / Germany**  
GARDENA GmbH  
Central Service  
Hans-Lorenser-Straße 40  
D-89079 Ulm  
Produktfragen:  
(+49) 731 490-123  
Reparaturen:  
(+49) 731 490-290  
service@gardena.com

**Albania**  
COBALT Sh.p.k.  
Rr. Siri Kodra  
1000 Tirana

**Argentina**  
Husqvarna Argentina S.A.  
Av.del Libertador 5954 –  
Piso 11 – Torre B  
(C1428ARP) Buenos Aires  
Phone: (+54) 11 5194 5000  
info.gardena@  
ar.husqvarna.com

**Armenia**  
Garden Land Ltd.  
61 Tigran Mets  
0005 Yerevan

**Australia**  
Husqvarna Australia Pty. Ltd.  
Locked Bag 5  
Central Coast BC  
NSW 2252  
Phone: (+61) (0) 2 4352 7400  
customer.service@  
husqvarna.com.au

**Austria / Österreich**  
Husqvarna Austria GmbH  
Consumer Products  
Industriezeile 36  
4010 Linz  
Tel.: (+43) 732 77 01 01-90  
consumer.service@  
husqvarna.at

**Azerbaijan**  
Firm Progress  
a. Aliyev Str. 26A  
1052 Baku

**Belgium**  
GARDENA Belgium NV/SA  
Sterrebeekstraat 163  
1930 Zaventem  
Phone: (+32) 2 7 20 92 12  
Mail: info@gardena.be

**Bosnia / Hercegovina**  
SILK TRADE d.o.o.  
Industrijska zona Bukva bb  
74260 Tešanj

**Brazil**  
Husqvarna do Brasil Ltda  
Av. Francisco Matarrazzo,  
1400 – 19º andar  
São Paulo – SP  
CEP: 05001-903  
Tel: 0800-112252  
marketing.br.husqvarna@  
husqvarna.com.br

**Bulgaria**  
Хускарна България ЕООД  
Бул. „Андрей Ляпчев“ № 72  
1799 София  
Тел.: (+359) 02/9753076  
www.husqvarna.bg

**Canada / USA**  
GARDENA Canada Ltd.  
100 Summerlea Road  
Brampton, Ontario L6T 4X3  
Phone: (+1) 905 732 93 30  
info@gardenacanada.com

**Chile**  
Maquinarias Agroforestales  
Ltda. (Maga Ltda.)  
Santiago, Chile  
Avda. Chesterton  
# 8355 comuna Las Condes  
Phone: (+56) 2 202 4417  
Daltton@maga.cl  
Zipcode: 7560330  
Temuco, Chile  
Avda. Valparaíso # 01466  
Phone: (+56) 45 222 126  
Zipcode: 4780441

**China**  
Husqvarna (China) Machinery  
Manufacturing Co., Ltd.  
No. 1355, Jia Xin Rd.,  
Ma Lu Zhen, Jia Ding Dist.,  
Shanghai  
201801  
Phone: (+86) 21 59159629  
Domestic Sales  
www.gardena.com.cn

**Colombia**  
Husqvarna Colombia S.A.  
Calle 18 No. 68 D-31, zona  
Industrial de Montevideo  
Bogotá, Cundinamarca  
Tel. 571 2922700 ext. 105  
jairo.salazar@  
husqvarna.com.co

**Costa Rica**  
Compania Exim  
Euroberoamericana S.A.  
Los Colegios, Moravia,  
200 metros al Sur del Colegio  
Saint Francis – San José  
Phone: (+506) 297 88 83  
exim\_euro@racsa.co.cr

**Croatia**  
SILK ADRIA d.o.o.  
Josipa Lončara 3  
10090 Zagreb  
Phone: (+385) 1 3794 580  
sil.k.adria@zg.t-com.hr

**Cyprus**  
Med Marketing  
17 Digeni Akritia Ave  
P.O. Box 27017  
1641 Nicosia

**Czech Republic**  
Husqvarna Cesko s.r.o.  
Türköva 2319/5b  
149 00 Praha 4 – Chodov  
Bezplatná infolinika:  
800 100 425  
servis@cz.husqvarna.com

**Denmark**  
GARDENA / Husqvarna  
Consumer Outdoor Products  
Salgsafdelning Danmark  
Box 9003  
S-200 39 Malmö  
info@gardena.dk

**Dominican Republic**  
BOSQUESA S.R.L.  
Carretera Santiago Licey  
Km. 5 ½  
Esquina Copal II,  
Santiago, Dominican Republic  
Phone: (+809) 736-0333  
joserbosquesa@claro.net.do

**Ecuador**  
Husqvarna Ecuador S.A.  
Arupos E1-181 y 10 de Agosto  
Quito, Pichincha  
Tel. (+593) 22800739  
francisco.jacome@  
husqvarna.com.ec

**Estonia**  
Husqvarna Eesti OÜ  
Consumer Outdoor Products  
Kesk tee 10, Aaviku küla  
Rae vald  
Häjar maakond  
75305 Estonia  
kontakt.etj@husqvarna.ee

**Finland**  
Oy Husqvarna Ab  
Consumer Outdoor Products  
Lautatarhankatu 8 B / PL 3  
00581 HELSINKI  
info@gardena.fi

**France**  
GARDENA France  
Immeuble Exposial  
9-11 allée des Pierres Mayettes  
ZAC des Barbannières, B.P. 99  
-F- 92232 GENNEVILLIERS  
cedex  
Tél. (+33) 01 40 85 30 40  
service.consommateurs@  
gardena.fr

**Georgia**  
ALD Group  
Belashvili 8  
1159 Tleilisi

**Great Britain**  
Husqvarna UK Ltd  
Preston Road  
Aycliffe Industrial Park  
Newton Aycliffe  
County Durham  
DL5 6UP  
info.gardena@  
husqvarna.co.uk

**Greece**  
HUSQVARNA ΕΛΛΑΣ Α.Ε.Β.Ε.  
Υπ/μτ Ηφαιστίου 33Α  
Βλ. Πκ. Κορωπίου  
194 00 Κορωπί Αττικής  
V.A.T. EL094094640  
Phone: (+30) 210 66 20 225  
info@husqvarna-consumer.gr

**Hungary**  
Husqvarna Magyarország Kft.  
Ezred u. 1-3  
1044 Budapest  
Telefon: (+36) 1 251-4161  
vevoszolgalat.husqvarna@  
husqvarna.hu

**Iceland**  
Ó. Johnson & Kaaber  
Tunguhalsi 1  
110 Reykjavik  
ooj@ojk.is

**Ireland**  
Husqvarna Consumer  
Preston Road  
Aycliffe Industrial Park  
Newton Aycliffe  
County Durham  
DL5 6UP  
info.gardena@  
husqvarna.co.uk

**Italy**  
Husqvarna Italia S.p.A.  
Via Como 72  
23868 VALMADRERA (LC)  
Phone: (+39) 0341.203.111  
info@gardenaitalia.it

**Japan**  
KAKUICHI Co. Ltd.  
Sumitomo Realty &  
Development Kojimachi  
BLDG., 8F  
5-1 Nibanncyo  
Tokyo 102-0084  
Phone: (+81) 33 264 4721  
m\_ishihara@kaku-ichi.co.jp

**Kazakhstan**  
LAMED Ltd.  
155/1, Tazhibayevoi Str.  
050060 Almaty  
IP Schmidt  
Abayavenue 3B  
110 005 Kostanay

**Kyrgyzstan**  
Alye Maki  
av. Molodaya Gvardiy 3  
720014  
Bishkek

**Latvia**  
Husqvarna Latvija  
Consumer Outdoor Products  
Bakūžu iela 6  
LV-1024 Riga  
info@husqvarna.lv

**Lithuania**  
UAB Husqvarna Lietuva  
Consumer Outdoor Products  
Ateities pl. 77C  
LT-52104 Kaunas  
centras@husqvarna.lt

**Luxembourg**  
Magasins Jules Neuberg  
39, rue Jacques Stas  
Luxembourg-Gasperich 2549  
Case Postale No. 12  
Luxembourg 2010  
Phone: (+352) 40 14 01  
api@neuberg.lu

**Mexico**  
AFOSA  
Av. Lopez Mateos Sur # 5019  
Col. La Calma 45070  
Zapopan, Jalisco  
Mexico  
Phone: (+52) 33 3818-3434  
icornejo@afosa.com.mx

**Moldova**  
Convel S.R.L.  
290A Muncesti Str.  
2002 Chisinau  
Phone: (+373) 23 100 000  
info@gardena.nl

**Netherlands**  
GARDENA Nederland B.V.  
Postbus 50176  
1305 AD ALMERE  
Phone: (+31) 36 521 00 00  
info@gardena.nl

**Neth. Antilles**  
Jonka Enterprises N.V.  
info@husqvarna-consumer.gr  
P.O. Box 8200  
Curaçao  
Phone: (+599) 9 767 66 55  
pgm@jonka.com

**New Zealand**  
Husqvarna New Zealand Ltd.  
PO Box 76-437  
Manukau City 2241  
Phone: (+64) (0) 9 9202410  
support.nz@husqvarna.co.nz

**Norway**  
GARDENA  
Husqvarna Consumer  
Outdoor Products  
Salgskontor Norge  
Kievernveien 6  
1540 Vestby  
info@gardena.no

**Peru**  
Husqvarna Perú S.A.  
Jr. Ramón Cárcamo 710  
Lima 1  
Tel: (+51) 1 3320 400 ext. 416  
juan.remuzgo@  
husqvarna.com

**Poland**  
Husqvarna  
Poland Spółka z o.o.  
ul. Wysockiego 15 b  
03-371 Warszawa  
Phone: (+48) 22 330 96 00  
gardena@husqvarna.com.pl

**Portugal**  
Husqvarna Portugal, SA  
Lagoa – Albarraque  
2635 – 595 Rio de Mouro  
Tel.: (+351) 21 922 85 30  
Fax : (+351) 21 922 85 36  
info@gardena.pt

**Romania**  
Madex International Srl  
Sosseua Odaii 117-123,  
RO 013603  
București, S 1  
Phone: (+40) 21 352.76.03  
madex@ines.ro

**Russia**  
ООО „Хускарна“  
141400, Московская обл.,  
г. Химки,  
улица Ленинградская,  
владение 39, стр.6  
Бизнес Центр  
„Химки Бизнес Парк“,  
помещение 0B02\_04

**Serbia**  
Domel d.o.o.  
Autoput za Novi Sad bb  
11273 Belgrade  
Phone: (+381) 118 48 88 12  
miroslav.jejina@domel.rs

**Singapore**  
Hy-Ray PRIVATE LIMITED  
40 Jalan Pemimpin  
#02-08 Tat Ann Building  
Singapore 577185  
Phone: (+65) 6253 2277  
shiyang@hyray.com.sg

**Slovak Republic**  
Husqvarna Cesko s.r.o.  
Türköva 2319/5b  
149 00 Praha 4 – Chodov  
Bezplatná infolinika:  
800 154 044  
servis@sk.husqvarna.com

**Slovenia**  
Husqvarna Austria GmbH  
Consumer Products  
Industriezeile 36  
4010 Linz  
Tel.: (+43) 732 77 01 01-90  
consumer.service@  
husqvarna.at

**South Africa**  
Husqvarna  
South Africa (Pty) Ltd  
Postnet Suite 250  
Private Bag X6,  
Cascades, 3202  
South Africa  
Phone: (+27) 33 846 9700  
curaçao@gardena.co.za

**Spain**  
Husqvarna España S.A.  
C/ Basauri, nº 6  
La Florida  
28023 Madrid  
Phone: (+34) 91 708 05 00  
atencioncliente@gardena.es

**Suriname**  
Agrofix n.v.  
Verlengde Hogestraat #22  
Phone: (+597) 472426  
agrofix@sr.net  
Pobox : 2006  
Paramaribo  
Suriname – South America

**Sweden**  
Husqvarna AB  
S-561 82 Huskvarna  
info@gardena.se

**Switzerland / Schweiz**  
Husqvarna Schweiz AG  
Consumer Products  
Industriestrasse 10  
5506 Mägenwil  
Phone: (+41) (0) 848 800 464  
info@gardena.ch

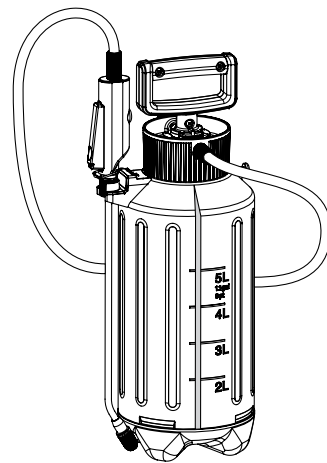
**Turkey**  
GARDENA Dost Diş Ticaret  
Münissellik A.Ş.  
Sanayi Çad. Adil Sokak  
No: 1/B Kartal  
34873 İstanbul  
Phone: (+90) 216 38 93 939  
info@gardena-dost.com.tr

**Ukraine / Україна**  
ТОВ «Хусварна Україна»  
вул. Васильківська, 34,  
офіс 204-г  
03022, Київ  
Тел. (+38) 044 498 39 02  
info@gardena.ua

**Uruguay**  
FELI SA  
Entre Rios 1083 CP 11800  
Montevideo – Uruguay  
Tel: (+598) 22 03 18 44  
info@felisa.com.uy

**Venezuela**  
Corporación Casa y Jardin C.A.  
Av. Caroni, Edif. Trezmen, PB.  
Colinas de Bello Monte.  
1050 Caracas.  
Tlf: (+58) 212 992 33 22  
info@casayjardin.net.ve

822-20.960.02/0313  
© GARDENA Manufacturing GmbH  
D-89070 Ulm  
http://www.gardena.com



5 l Art. 822

**D Betriebsanleitung**  
Drucksprüher

**GB Operating Instructions**  
Pressure Sprayer

**F Mode d'emploi**  
Pulvérisateur

**NL Gebruiksaanwijzing**  
Drukspuit

**S Bruksanvisning**  
Tryckspruta

**DK Brugsanvisning**  
Tryksprøjte

**FI Käyttöohje**  
Paineruisku

**N Bruksanvisning**  
Trykksprøyte

**I Istruzioni per l'uso**  
Irroratore a pressione

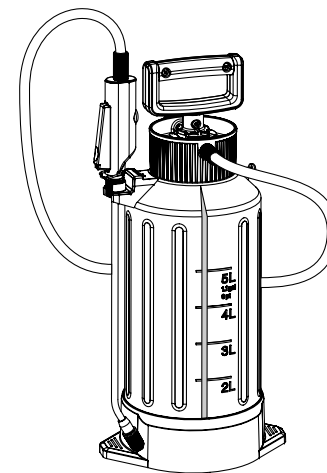
**E Instrucciones de empleo**  
Pulverizador a presión

**P Manual de instruções**  
Pulverizador de pressão

**PL Instrukcja obsługi**  
Opryskiwacz ciśnieniowy

**H Használati utasítás**  
Nyomáspermetező

**CZ Návod k obsluze**  
Tlakový rozprašovač



5 l Art. 828

**SK Návod na obsluhu**  
Tlakový rozprašovač

**GR Οδηγίες χρήσης**  
Ψεκαστήρας Προπίεσης

**RUS Инструкция по эксплуатации**  
Опрыскиватель

**SLO Navodilo za uporabo**  
Tlačni škropičnik

**HR Uputa za upotrebu**  
Pneumatska prskalica

**SRB Uputstvo za rad**  
Prskalica pod pritiskom

**UA Інструкція з експлуатації**  
Обприскувач

**RO Instrucțiuni de utilizare**  
Pulverizator cu precompresie

**TR Kullanma Kılavuzu**  
Basıncılı Sprey

**BG Инструкция за експлоатация**  
Пръскачка

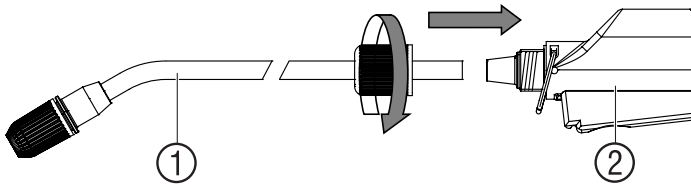
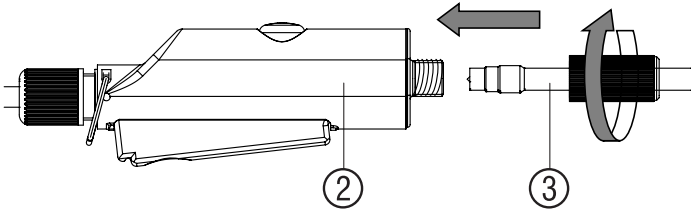
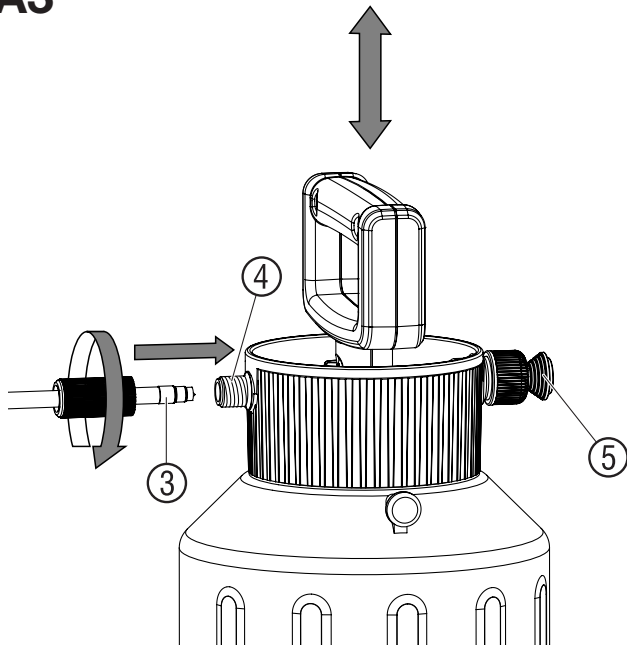
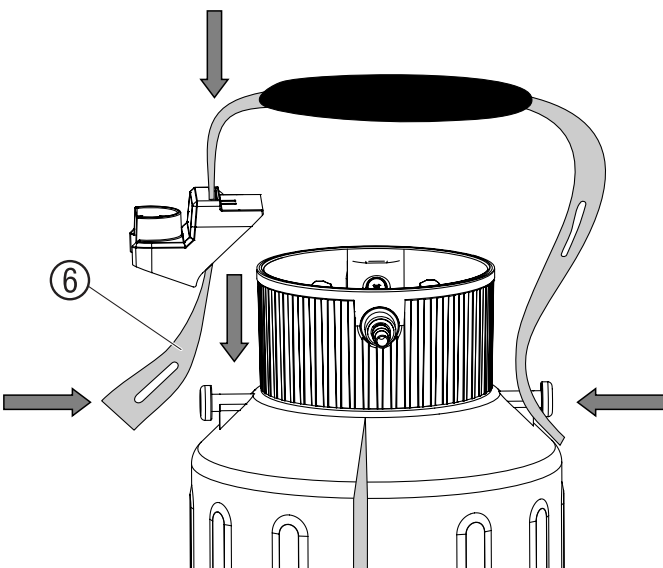
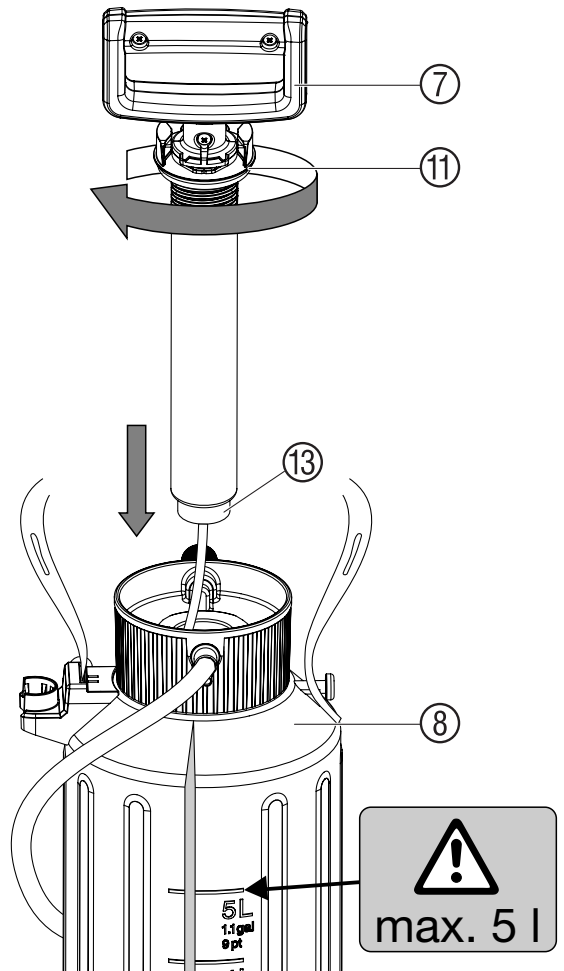
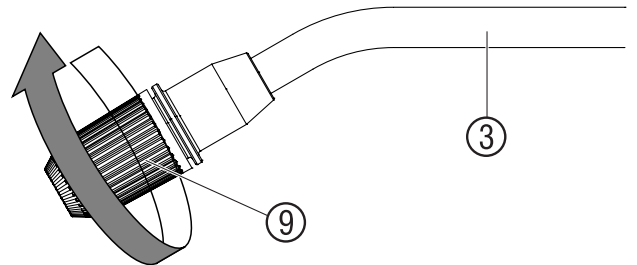
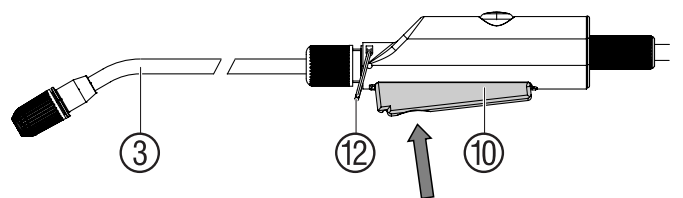
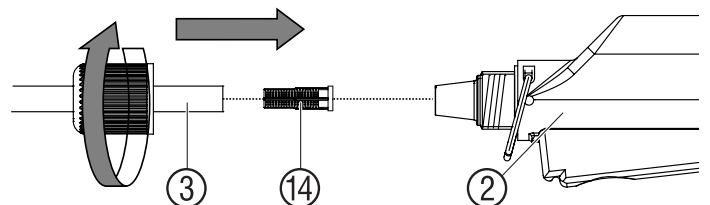
**AL Manual përdorimi**  
Bombol sprucimi me presion

**EST Kasutusjuhend**  
Survepihusti

**LT Naudojimosi instrukcija**  
Slėginis purkštuvav

**LV Lietošanas instrukcija**  
Spiediena smidzinātājs

**SA دليل التشغيل**  
بخاخة الضغط

**A1****A2****A3****A4****B1****B2****B3****C1**

## GARDENA Pressure Sprayer 5 I

Translation of the original German operating instructions. Please read the operating instructions carefully and observe the notes given. Use the instructions to familiarise yourself with the Pressure Sprayer, its proper use and the notes on safety. For safety reasons, children under 16 as well as persons not familiar with these operating instructions must not use the Pressure Sprayer. Keep these operating instructions in a safe place.

### 1. Area of application of your GARDENA Pressure Sprayer

#### Intended purpose:

The GARDENA Pressure Sprayer is intended for distributing solvent-free liquid pesticides<sup>1)</sup>, herbicides<sup>1)</sup>, fertilisers<sup>1)</sup>, window cleaners<sup>1)</sup>, and car wax<sup>1)</sup> in domestic gardens and allotments. It must not be used in public places, parks, sport arenas, or in agriculture or forestry. Compliance with the operating instructions provided by the manufacturer is a prerequisite for using the Pressure Sprayer correctly.

<sup>1)</sup> In accordance with the laws governing the use of pesticides and detergents, only authorised substances may be used (authorised specialist shop).

#### Please note:

Due to the risk of physical injury, the GARDENA Pressure Sprayer must not be used for spraying substances other than those specified by GARDENA. Also, no acids, disinfectants or impregnators, aggressive and solvent-containing cleaning agents, petrol or spray oil may be sprayed. We recommend that you only use pesticides approved by the BBA (German Federal Biological Research Centre for Agriculture and Forestry). To our knowledge at the time of manufacturing the unit, the pesticides approved by the BBA will not damage the materials used to construct the Pressure Sprayer. When spraying insecticides, herbicides and fungicides or other liquid plant protection products, you must comply with all special precautionary measures specified by the manufacturer of the product you are using.

### 2. Safety instructions

#### Danger of physical injuries:

Never open the Pressure Sprayer or unscrew the nozzle when the Pressure Sprayer is still pressurised. To prevent injury, never connect the Pressure Sprayer to an air-compressor. Before pulling out the safety valve ⑤ (Fig. A3), the sprayer always has to be placed vertically. Before opening the sprayer, always release pressure completely by pulling out the safety valve.

#### Operation:

Inspect the Pressure Sprayer visually before each use. Never leave your Pressure Sprayer unattended or for long periods when full and pressurised. Keep the unit out of the reach of children. You are responsible for the safety of others. Keep your Pressure Sprayer away from heat sources and hot environments. Screw handle ⑦ on tightly by hand (do not use tools) and ensure the correct position of the O-ring ⑪ (Fig. B1).

#### Cleaning:

Release the pressure after each use, empty the container, clean it carefully and rinse with clear water. Then leave the pressure sprayer open and allow it to dry. Do not dispose of residual fluids in the sewerage system (local disposal systems). Always clean the Pressure Sprayer before using a different product to avoid chemical reactions. When using several Pressure Sprayers, the tanks and handle may not be exchanged between them.

#### Storage:

Before storing, loosen the tank cap and always empty your Pressure Sprayer completely (also after cleaning with water). Store away from frost. If you use the permanent lock ⑫ (Fig. B3) pay attention that you work very carefully. Never store your pressure sprayer with permanent lock.

### 3. Assembly

- A1 Mounting the spray tube ① in the hand valve ②.
- A2 Attaching the spray hose ③ to the hand valve ②.
- A3 Attaching the spray hose ③ to the container cap ④.
- A4 Assemble shoulder straps ⑥ (Art. 828 has shoulder padding).

### 4. Operation

Please observe the safety and proportioning instructions provided by the manufacturer of the product you are going to spray.

- B1 Unscrew handle ⑦ and fill tank ⑧.  
**WARNING: The tank may only be filled with a maximum of 5 litres liquid.**

- A3 Pump using the handle ⑦.
- B2 Set mist spray via the nozzle ⑨.
- B3 Press operating tab ⑩ and spray liquid.

### 5. Cleaning

#### Cleaning the Pressure Sprayer:

Always clean your Pressure Sprayer after spraying. Use Pressure Sprayer only with clear water (possibly with addition of dish detergent) and spray empty. The valves, the spray pipe ① and the nozzle ⑨ are cleaned. In the case of outer dirtying of handle and tank, thoroughly clean the area thread and thread O-ring ⑪. We recommend that you have your Pressure Sprayer thoroughly inspected (preferably at a GARDENA Service Centre) after using it for 5 years.

### 6. Trouble-Shooting

#### C1 Cleaning the filter:

→ Remove the sieve ⑭ from the spray tube ① and clean it.

Problem	Possible Cause	Remedy
Pump does not build up pressure.	Safety valve ⑤ is loose.	Tighten the safety valve ⑤.
	Hose connection at the container and hand valve is not tight.	Tighten the hose connections at the container and hand valve.
	Continuous lock ⑫ enabled on handle.	Release lock ⑫ on handle.
	Sealing cap ⑬ dirty/defective.	Clean or exchange sealing cap ⑬.
Pressure Sprayer does not spray although there is sufficient pressure or only sprays with a weak spray jet.	Nozzle ⑨ is blocked.	Unscrew nozzle ⑨ and clean.
	Sieve ⑭ is blocked.	Clean the sieve ⑭ in the spray tube.
It is difficult to open and close the container.	Container pressure too high.	Release the container pressure completely by means of the safety valve ⑤.

If you have any other problems with your Pressure Sprayer please contact GARDENA Customer Service.

### 7. Putting into Storage

#### Storing your Pressure Sprayer:

- 1. Clean the Pressure Sprayer (refer to 5. Cleaning).
- 2. Keep your Pressure Sprayer in a place protected from frost.

### 8. Available accessories

GARDENA Weedkiller Cone	Prevents spray mist from blowing away.	Art. No. 894
GARDENA Extension Lance	For extending the spray tube.	Art. No. 897

### 9. Technical data

Max. capacity	5 l (8 pints approx.)	Permissible working pressure	3 bar
Spray tube length	36 cm	Max. permissible operating temperature	40 °C
Hose length	175 cm		

### 10. Warranty

GARDENA guarantees this product for 2 years (from date of purchase). This guarantee covers all serious defects of the unit that can be proved to be material or manufacturing faults. Under warranty we will either replace the unit or repair it free of charge if the following conditions apply: The unit must have been handled properly and in keeping with the requirements of the operating instructions. Neither the purchaser or a non-authorised third party have attempted to repair the unit. This manufacturer's guarantee does not affect the user's existing warranty claims against the dealer/seller. If you have any problems with your Pressure Sprayer, please contact our Service or return the defective unit together with a short description of the problem – in case of guarantee, with a copy of the receipt – postage paid to one of the GARDENA Service Centres listed on the back of this leaflet.